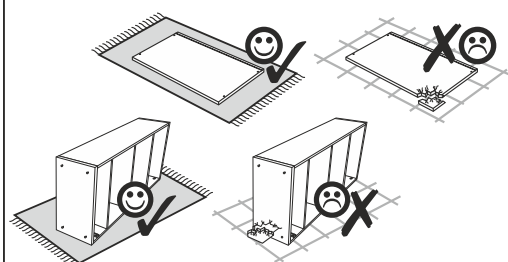
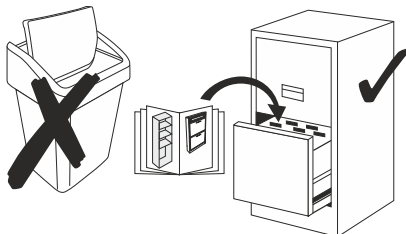
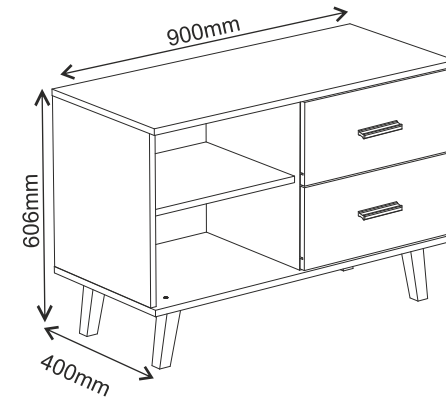
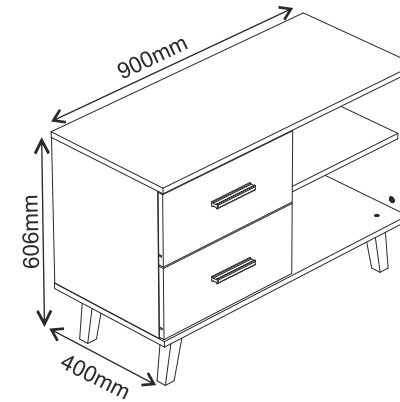
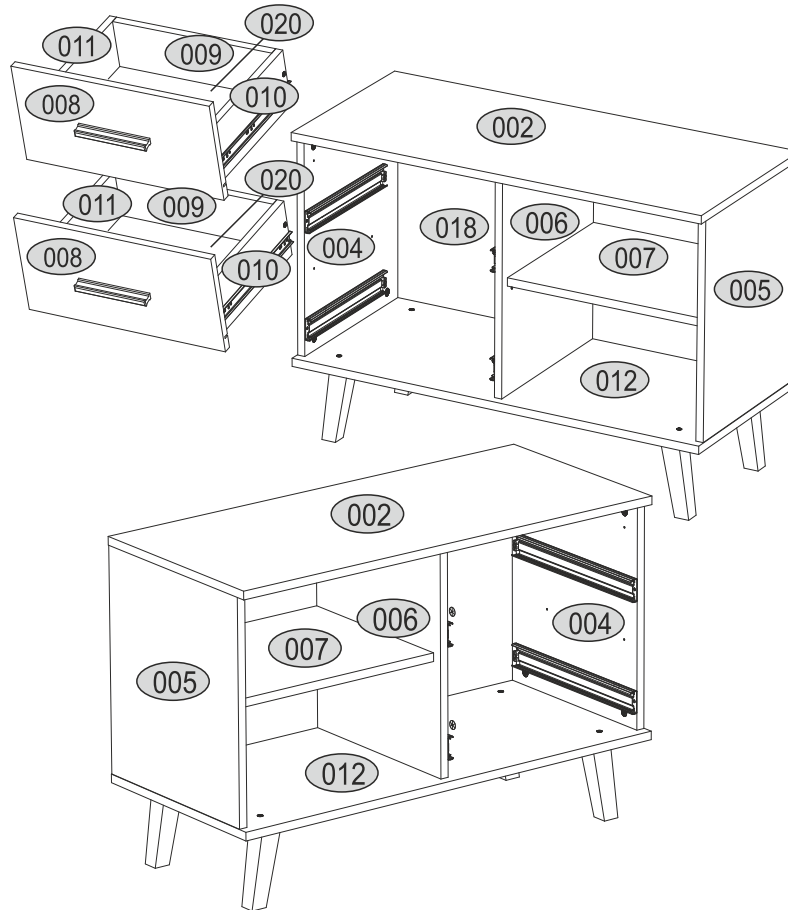
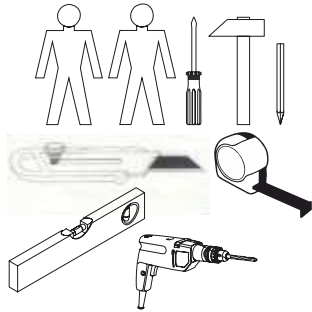
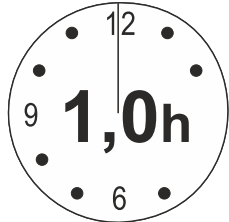









Installation manual

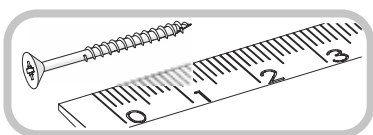
CABINET 2S 90



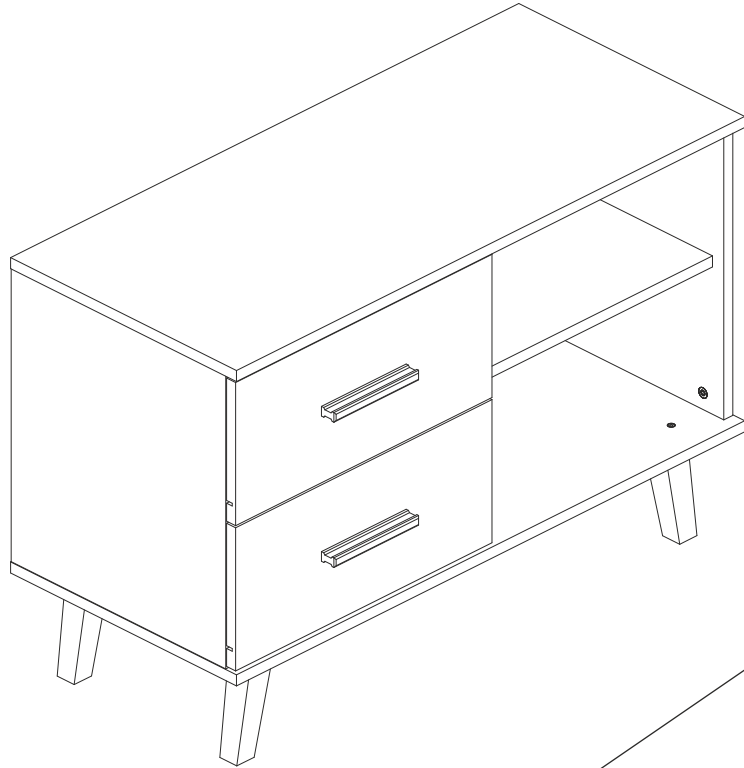
Code	Dimensions				Package
002	900	400	16	1	1/1
004	424	380	16	1	1/1
005	424	380	16	1	1/1
006	424	363	16	1	1/1
007	425	343	16	1	1/1
008	454	208	16	2	1/1
009	368	120	16	2	1/1
010	350	120	16	2	1/1
011	350	120	16	2	1/1
012	900	400	16	1	1/1
018	424	866	16	1	1/1
020	352	386	3	2	1/1
accessories				2	1/1

Accessories:

<p>x2 lb-350</p> 	<p>x2 c57</p> 	<p>x16 r1</p> 	<p>x8 e1</p> <p><i>Ø7x50mm</i></p> 
<p>x8 s1</p> 	<p>x36 f1</p> <p><i>Ø8x30mm</i></p> 	<p>x4 p9</p> 	<p>x1 z1</p> 
<p>x16 r16</p> 	<p>x24 p25</p> 	<p>x16 s2</p> 	<p>x4 d18</p> 
<p>x4 k88</p> 			



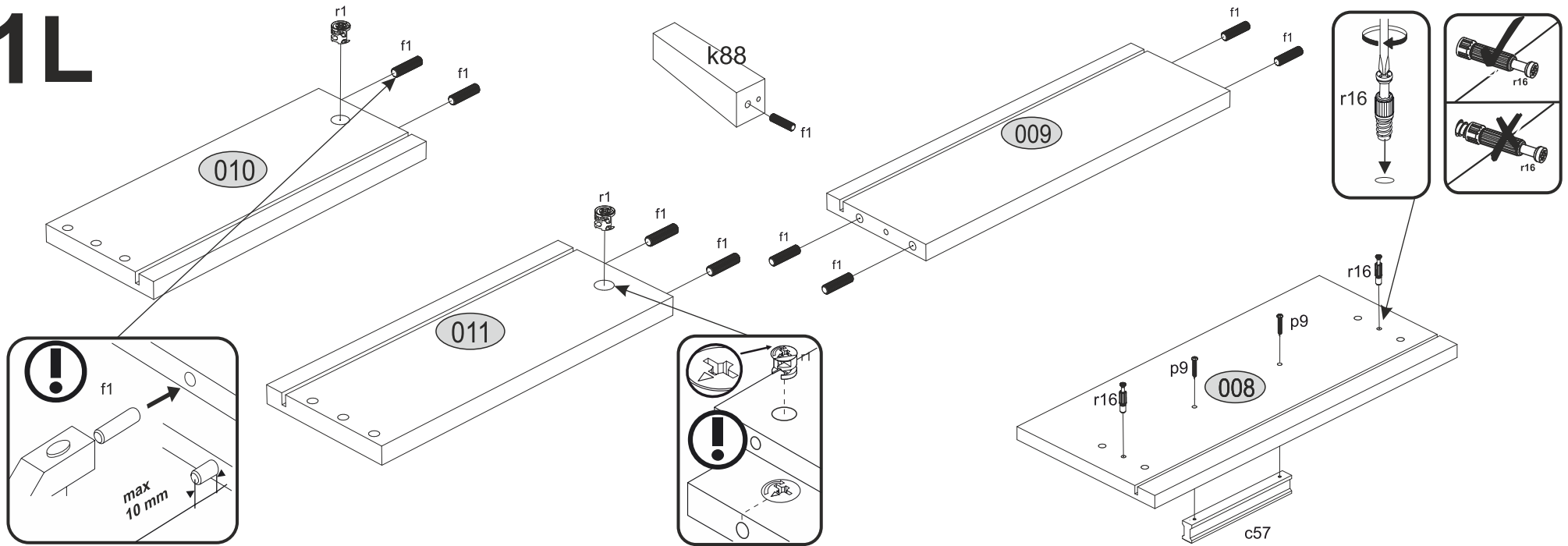
L



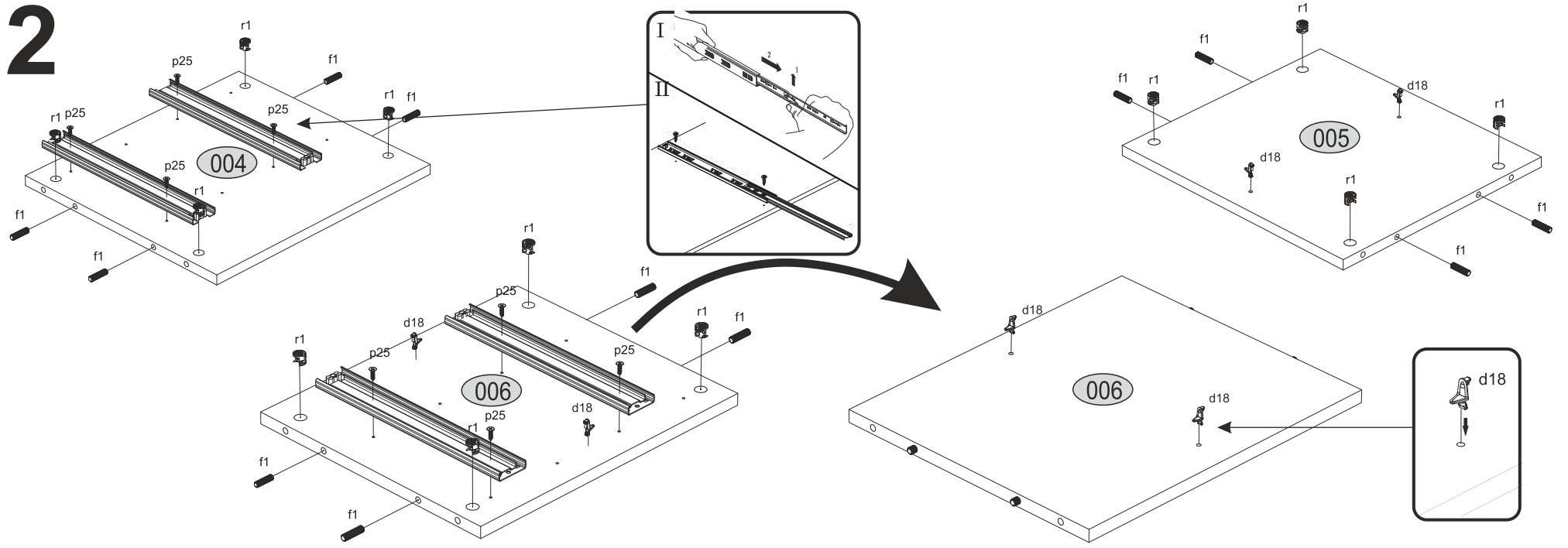
R



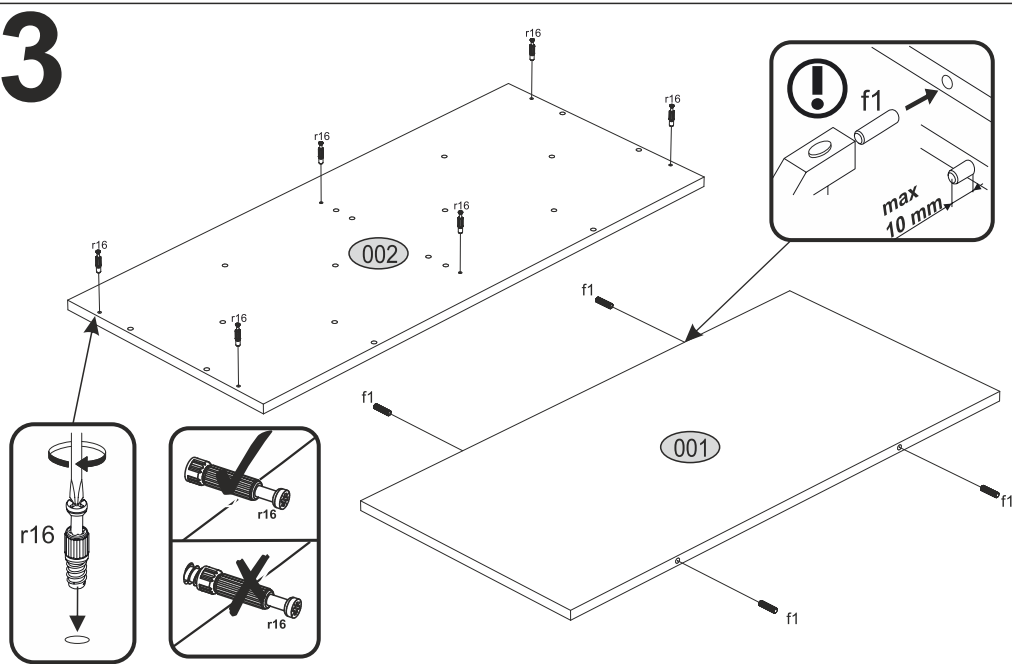
1L



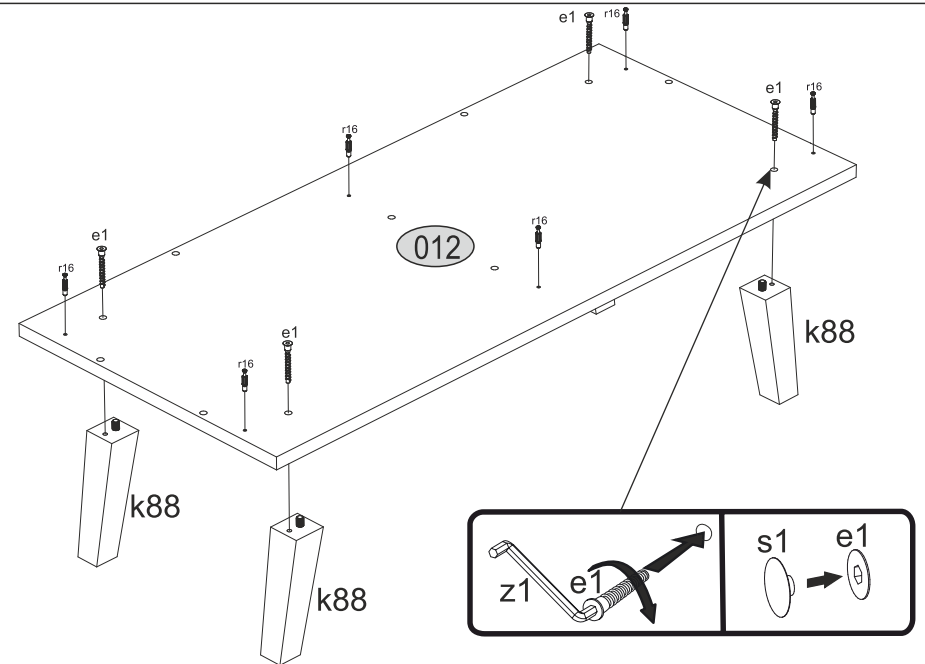
2



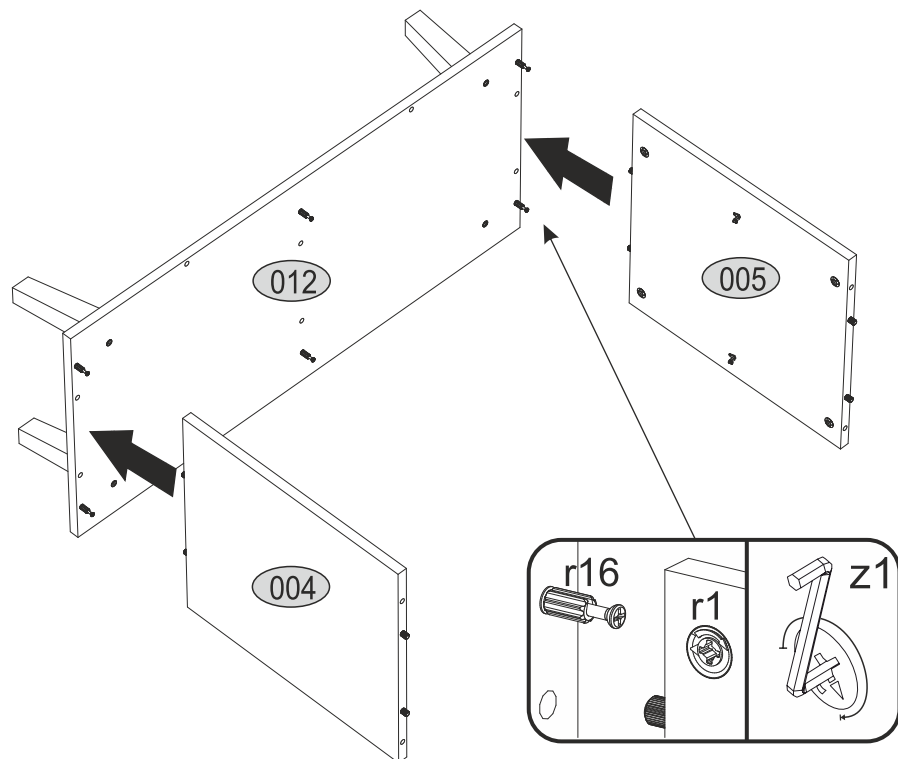
3



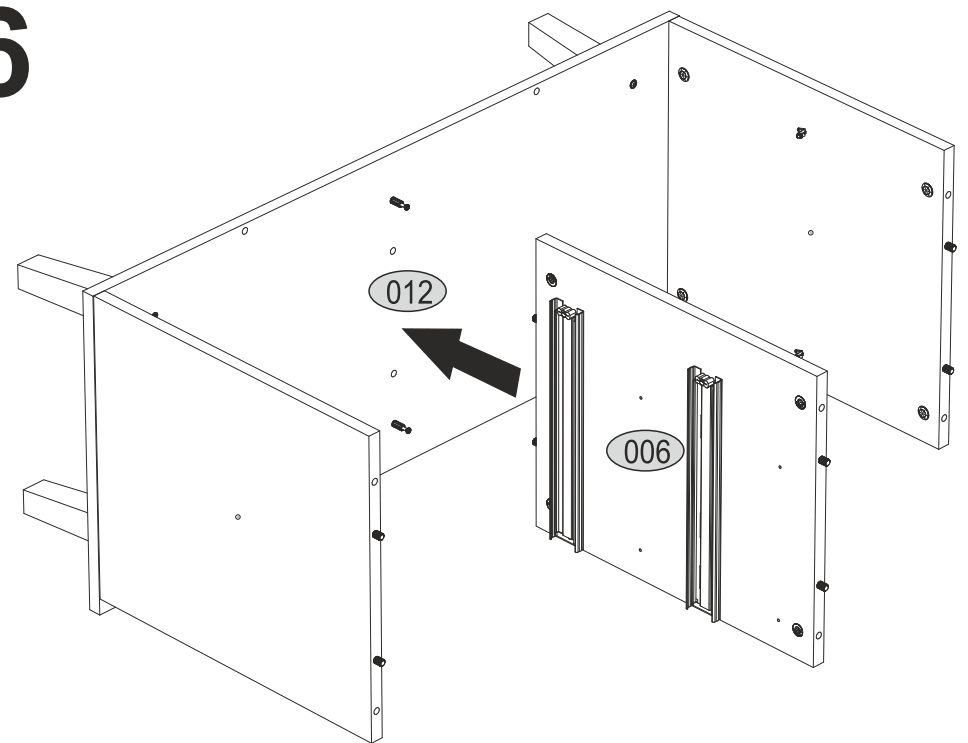
4

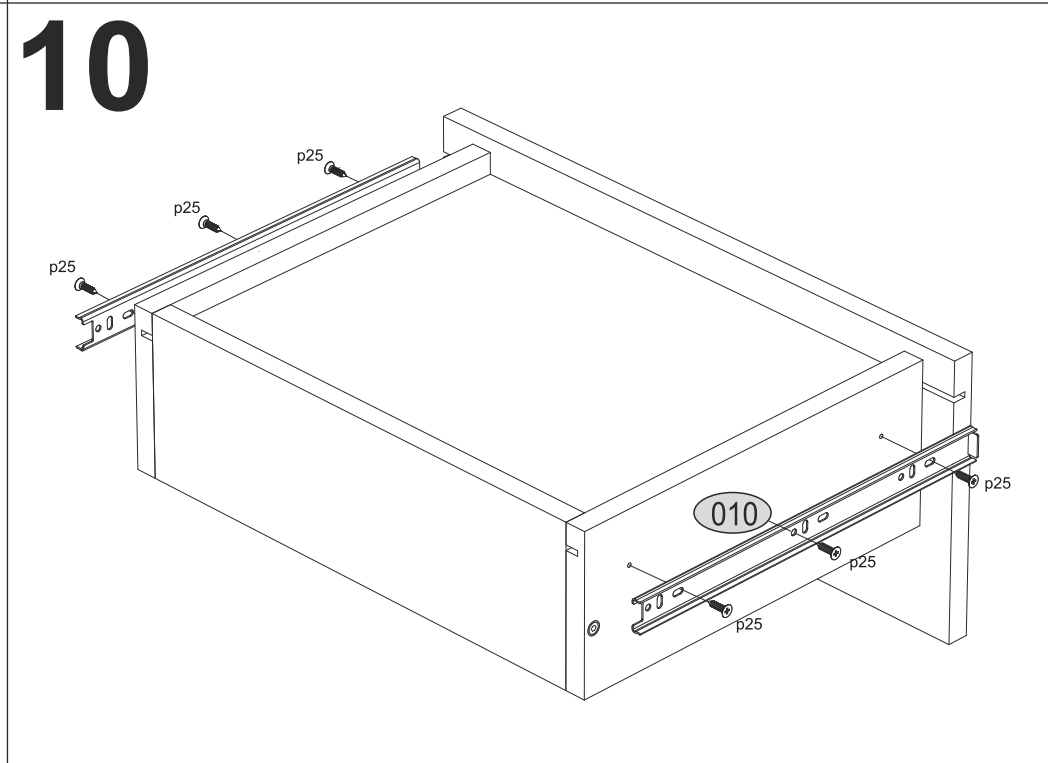
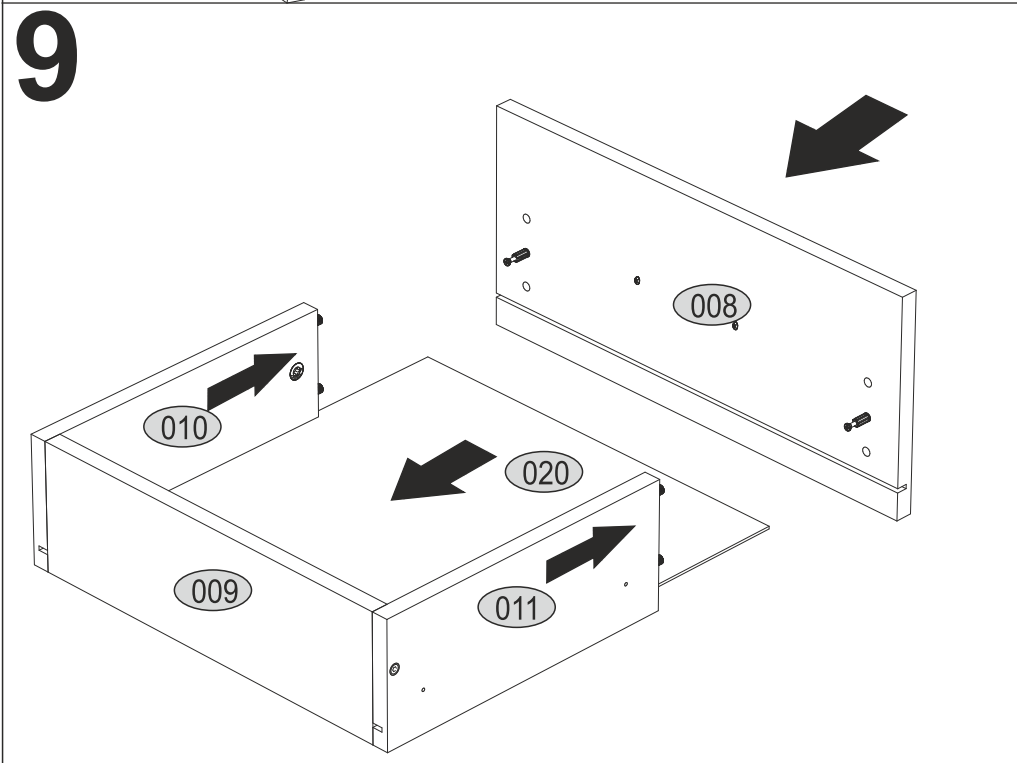
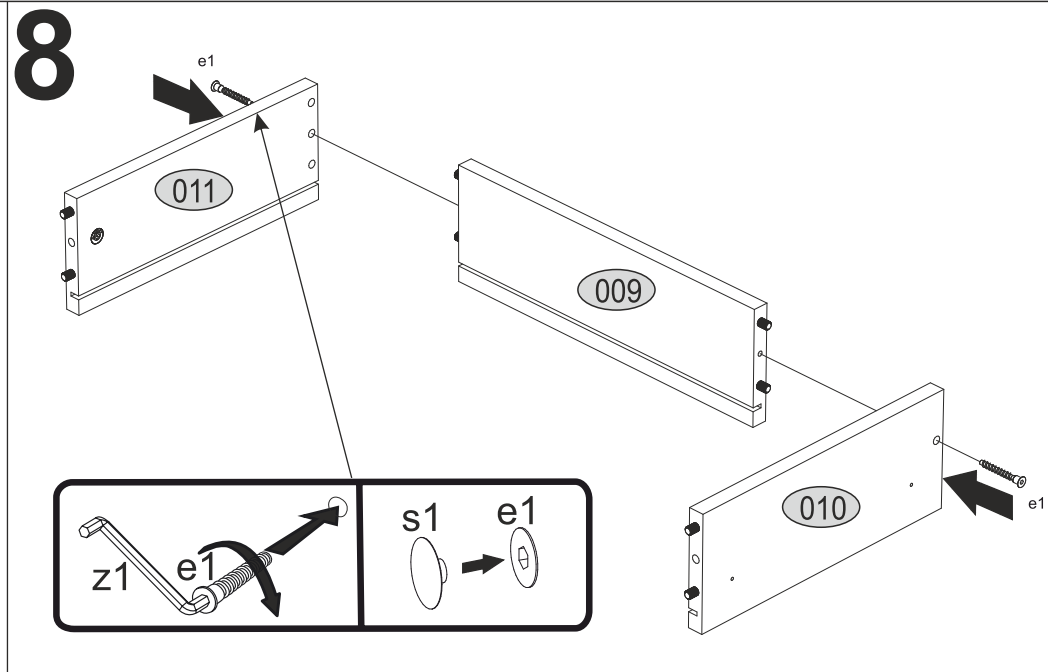
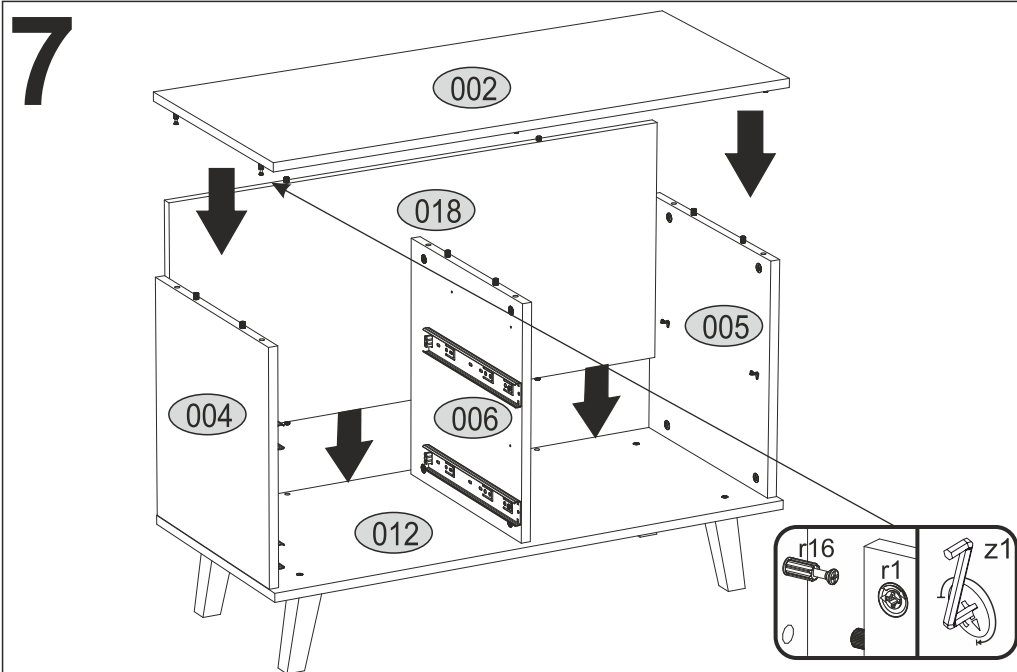


5

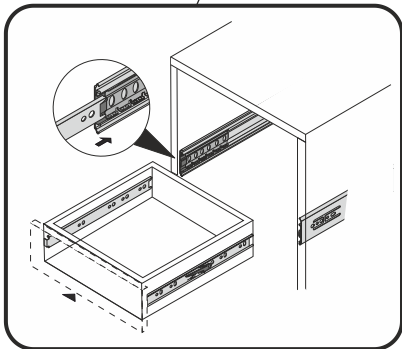
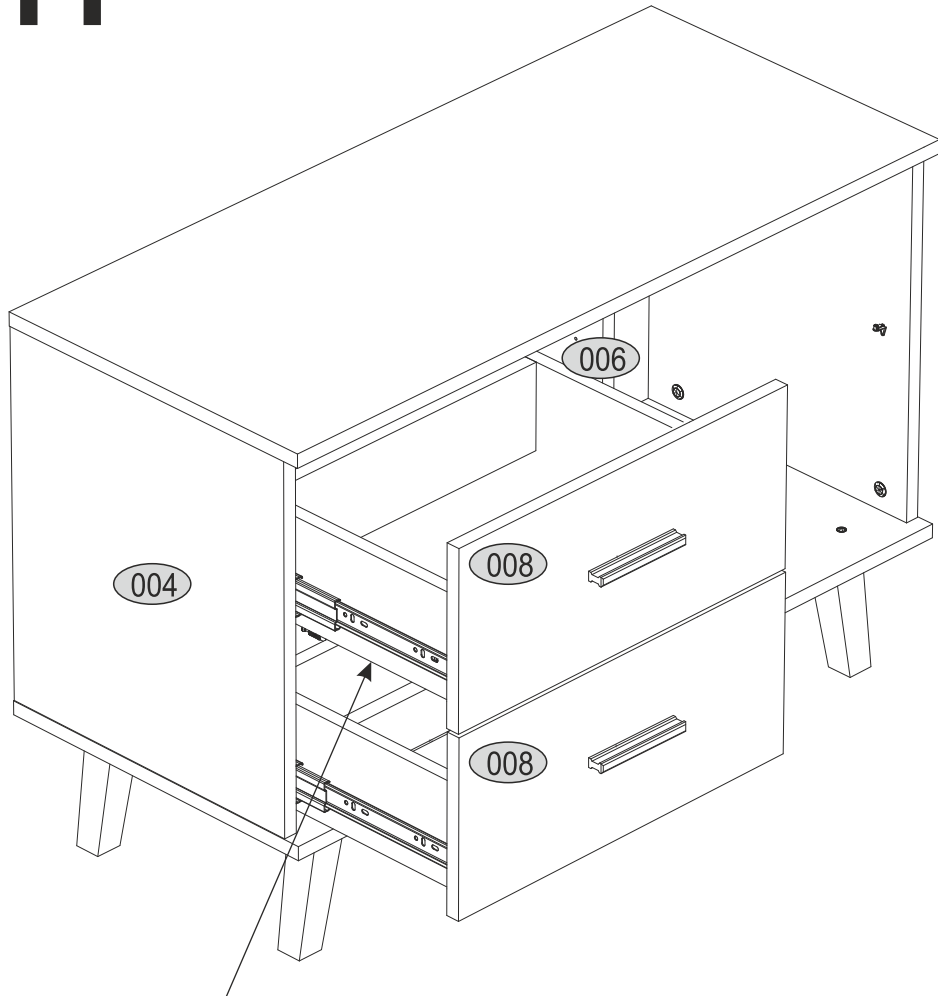


6

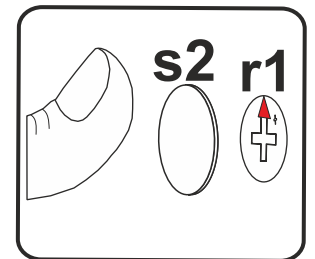
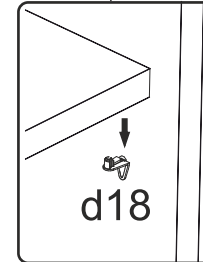
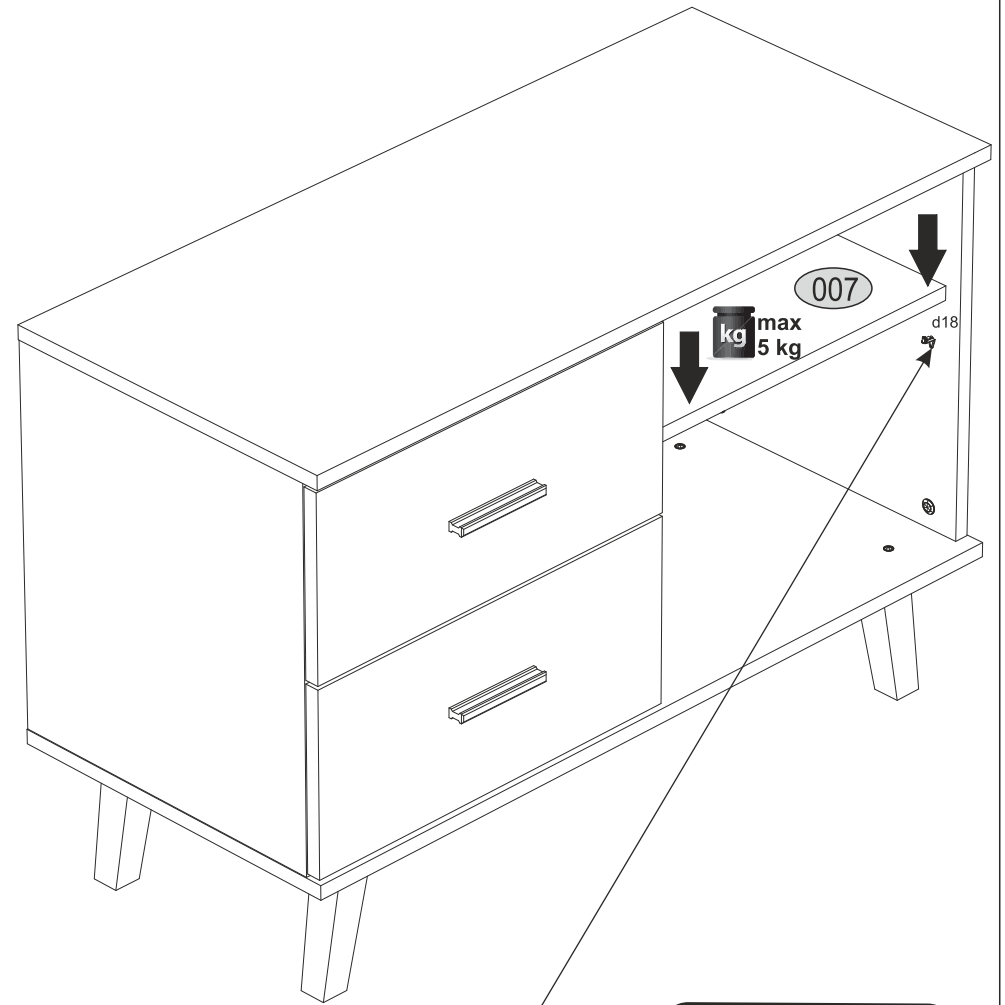




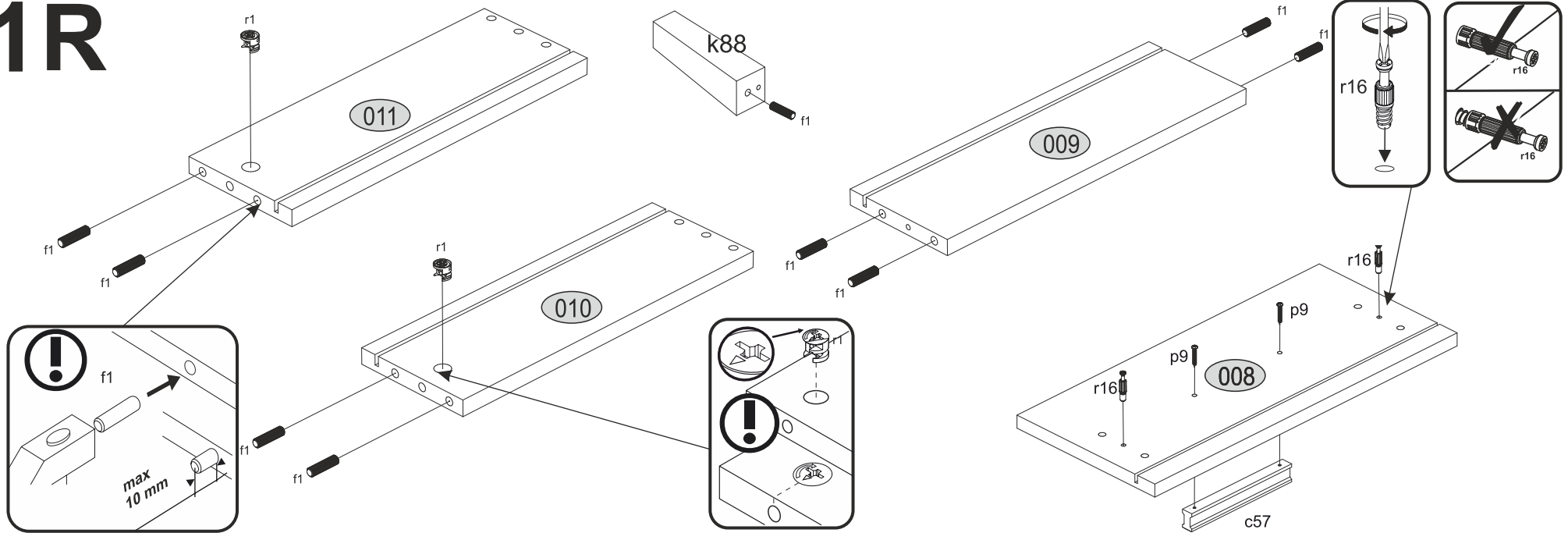
11



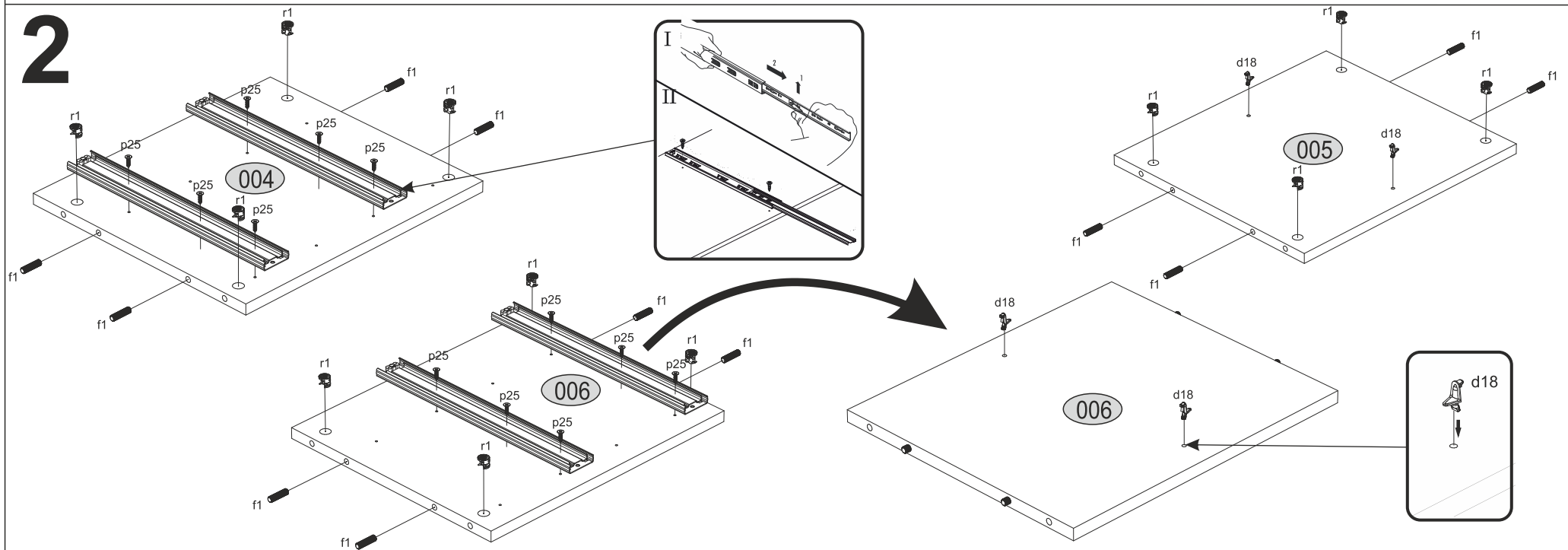
12



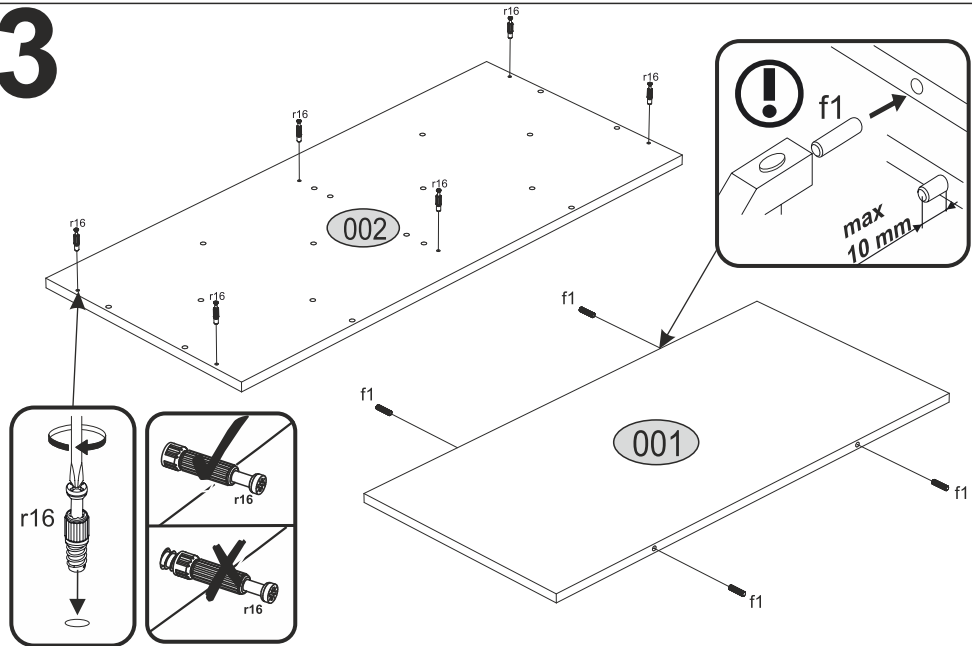
1R



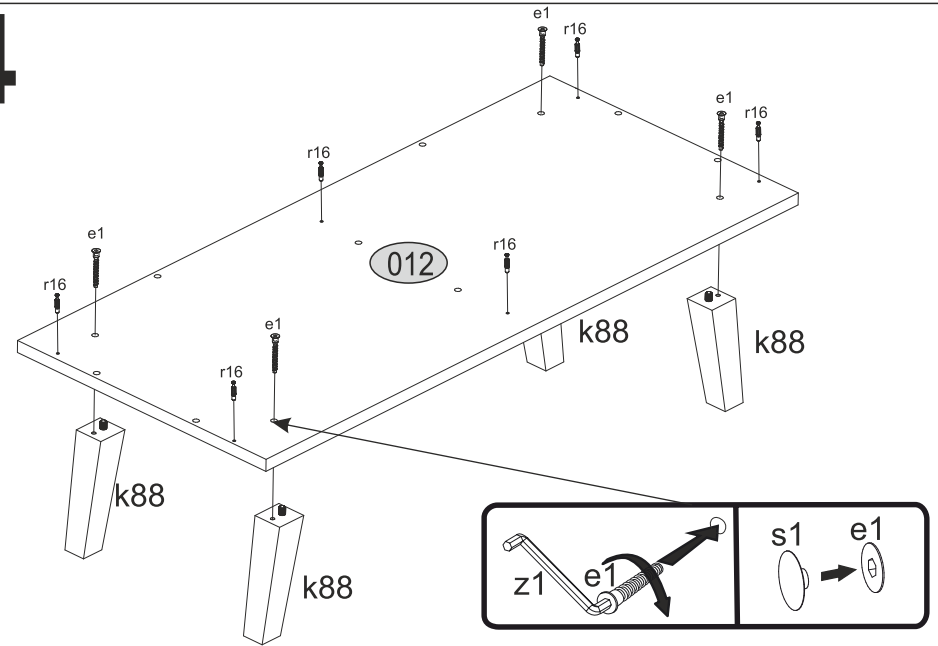
2



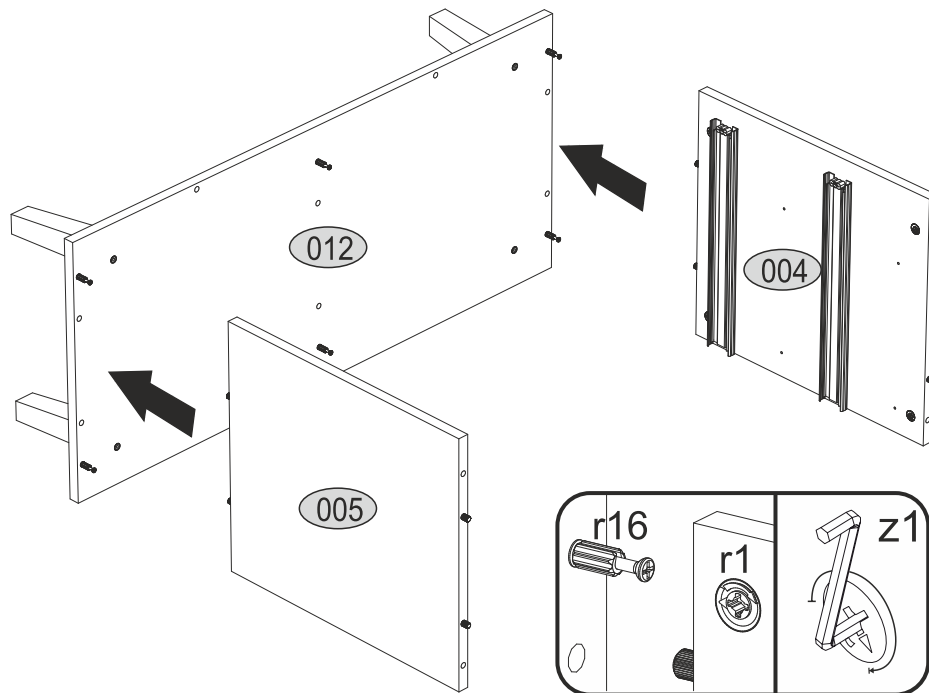
3



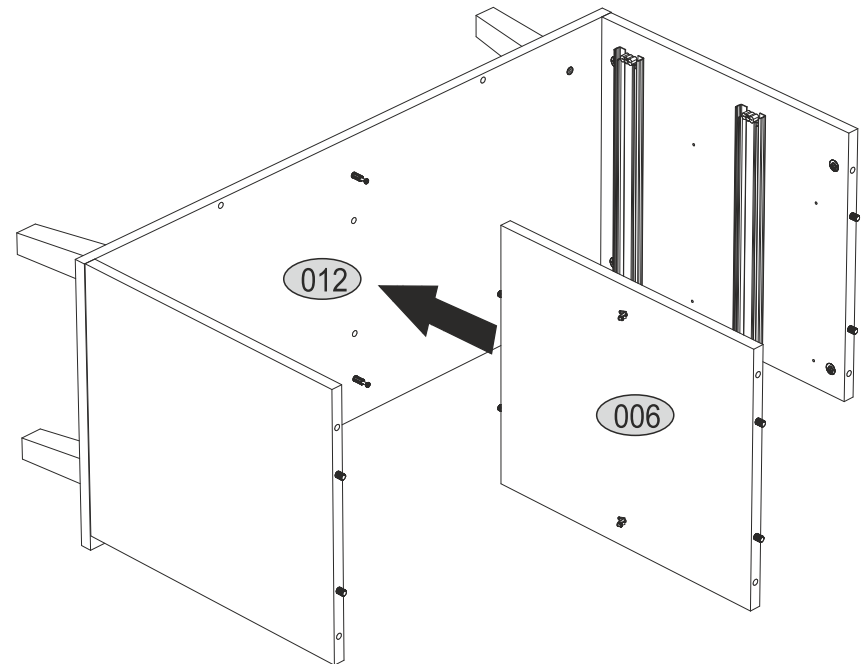
4



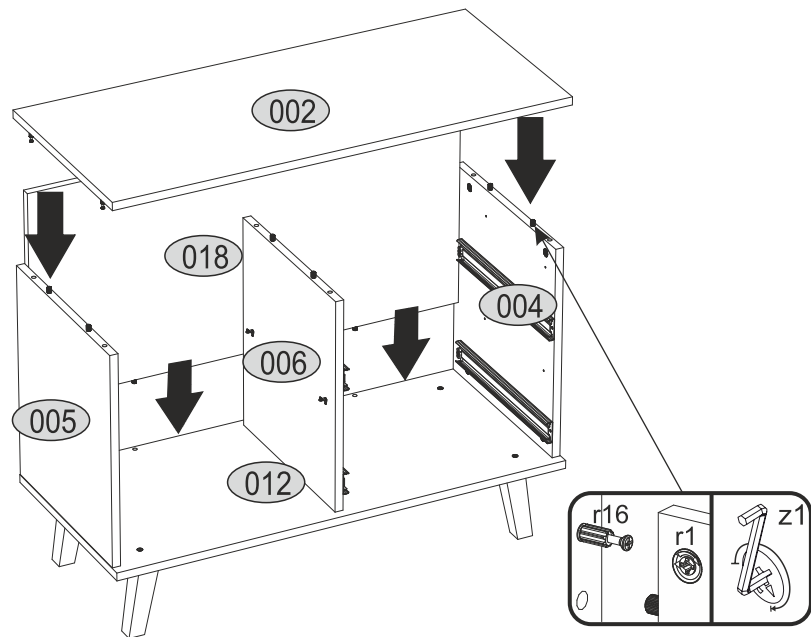
5



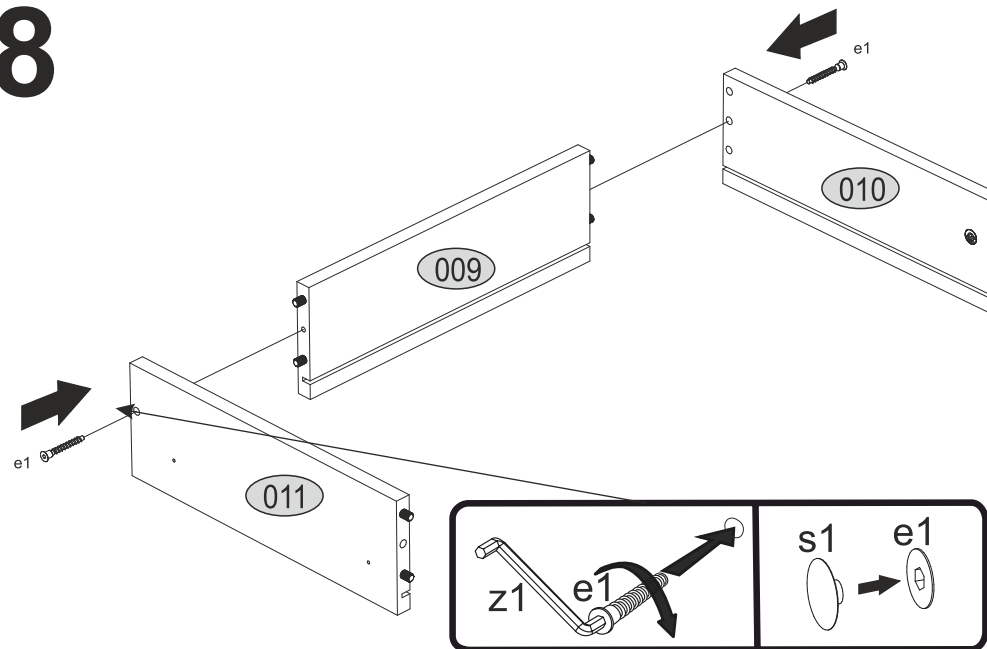
6



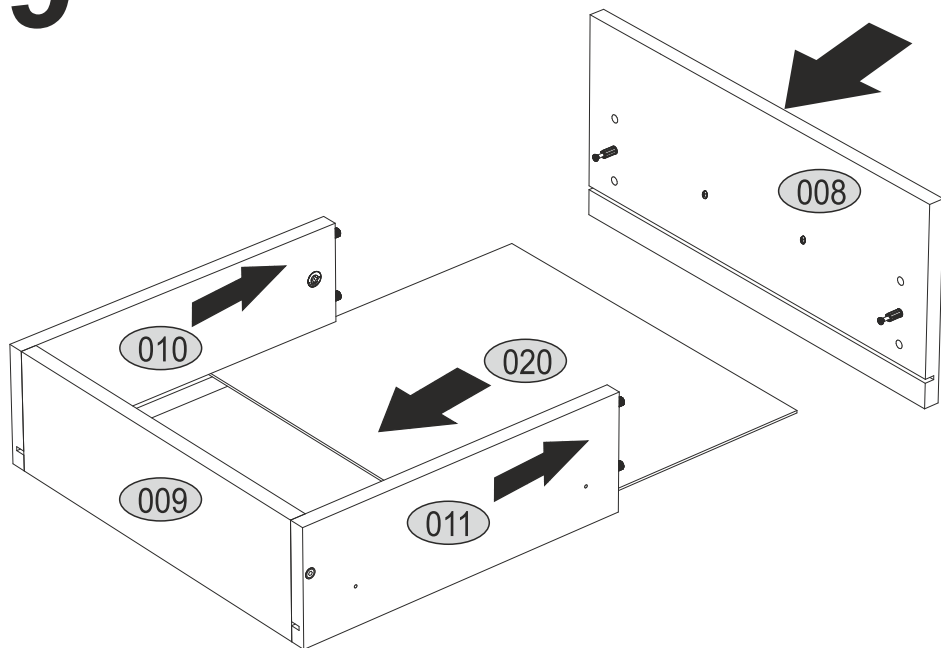
7



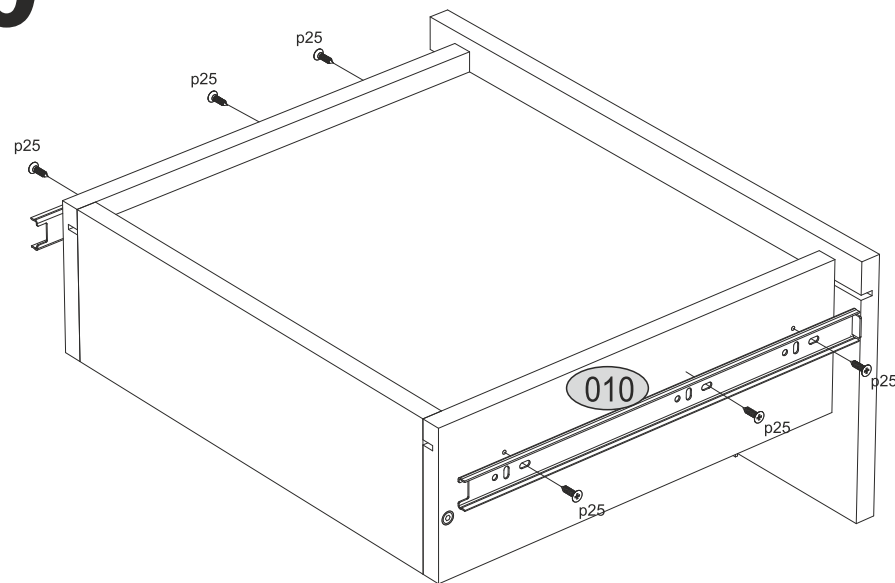
8



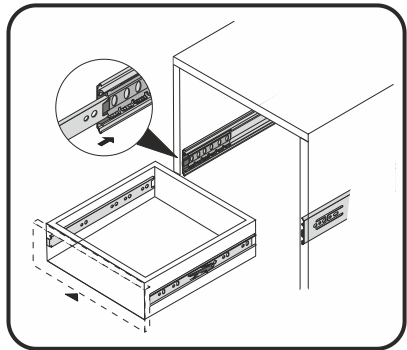
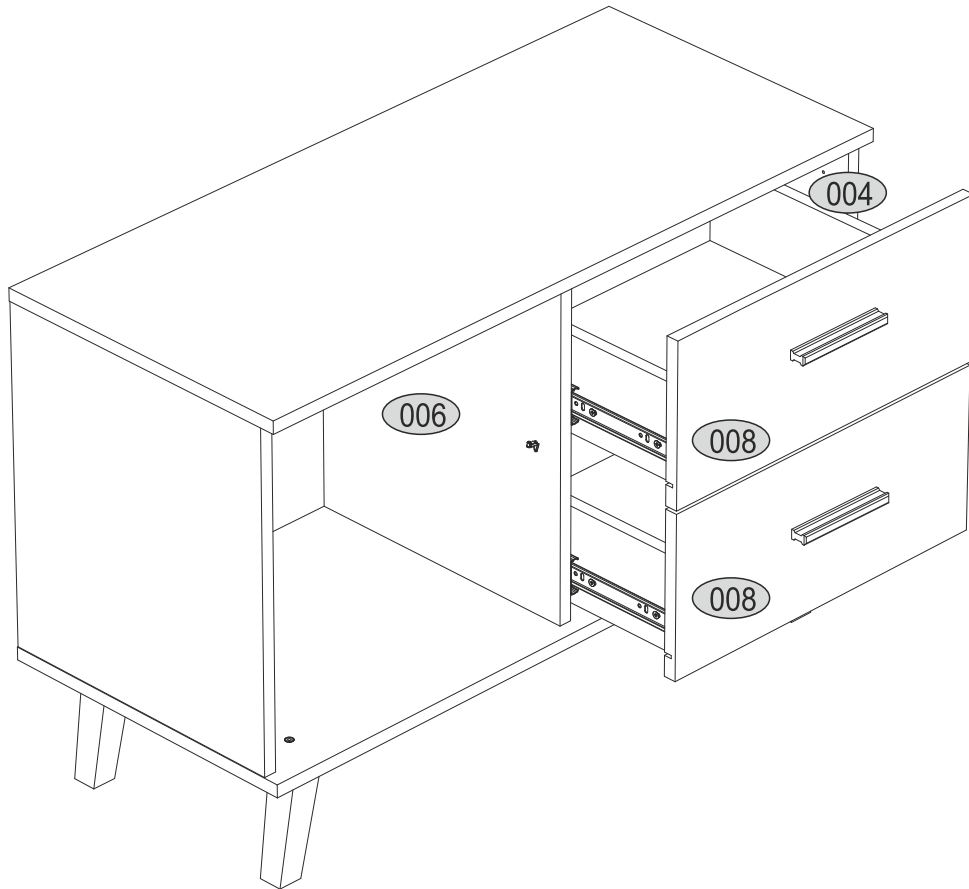
9



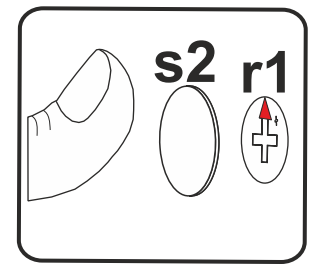
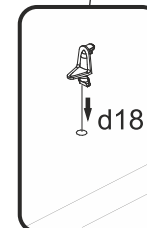
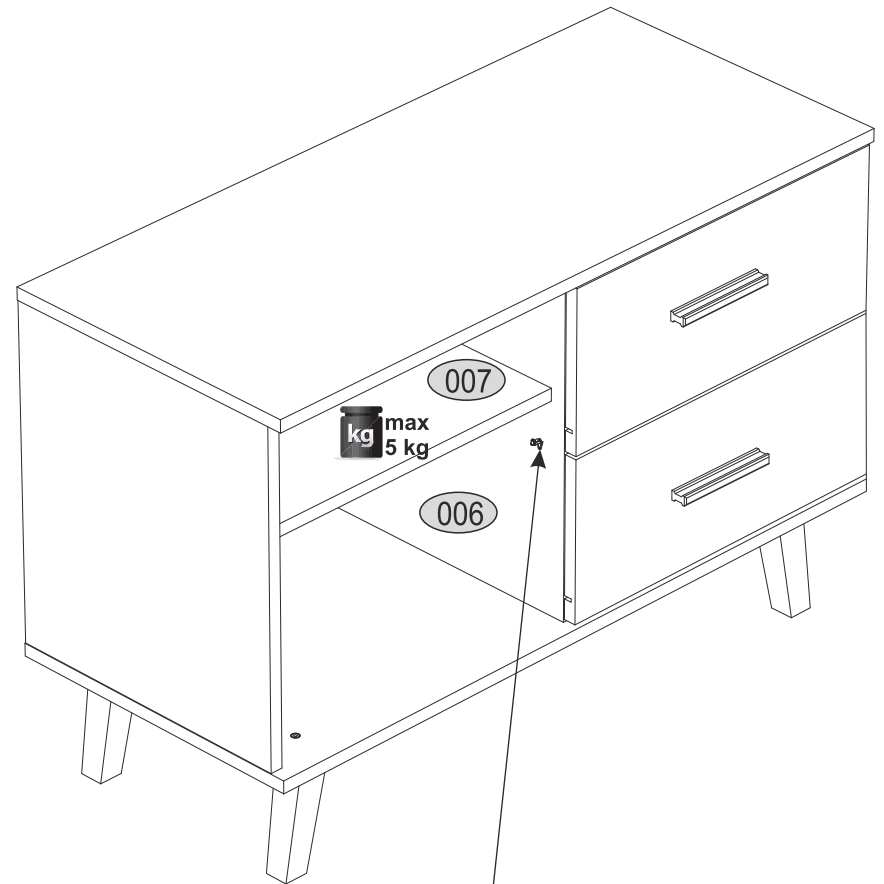
10



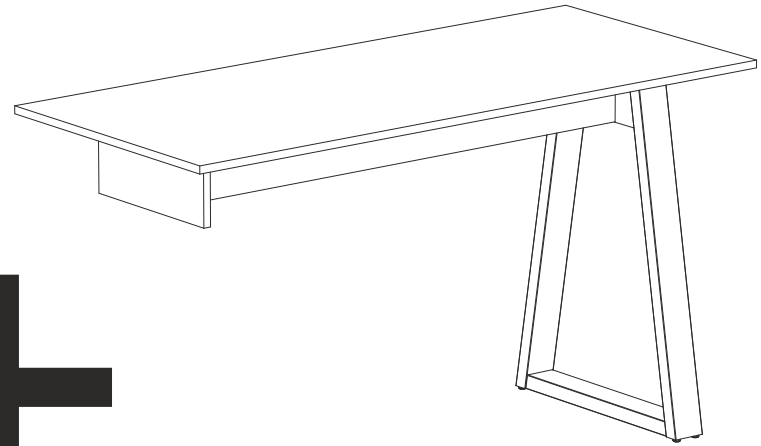
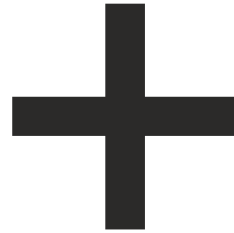
11



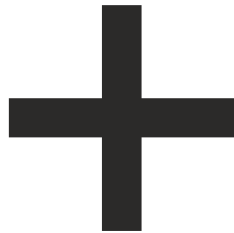
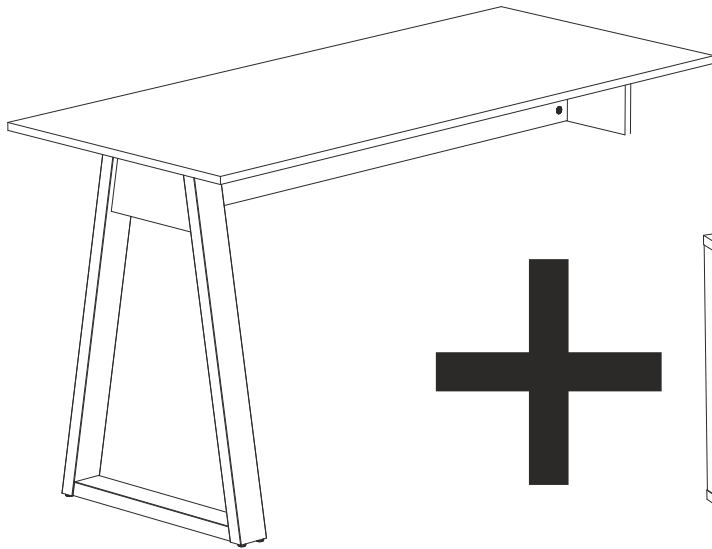
12



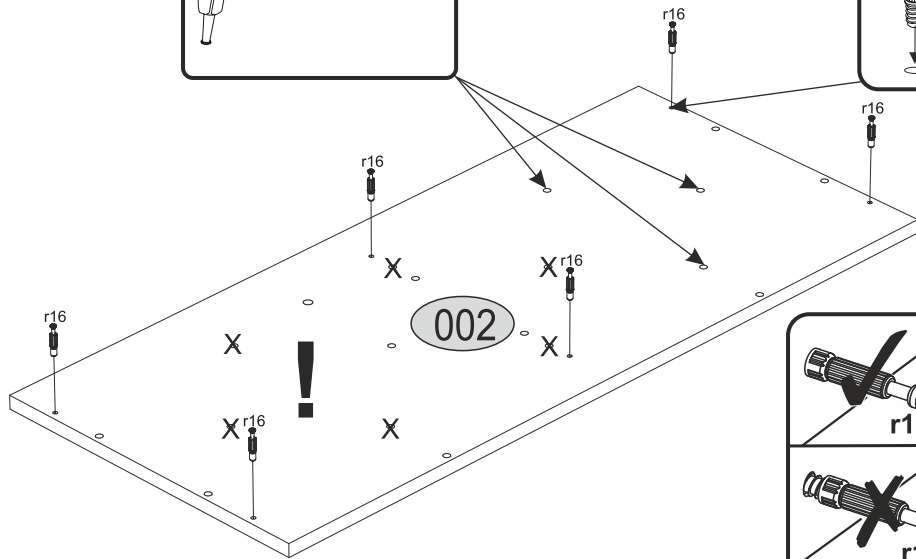
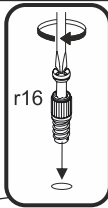
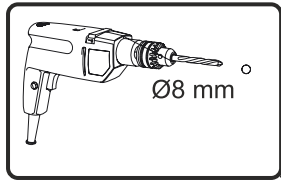
A



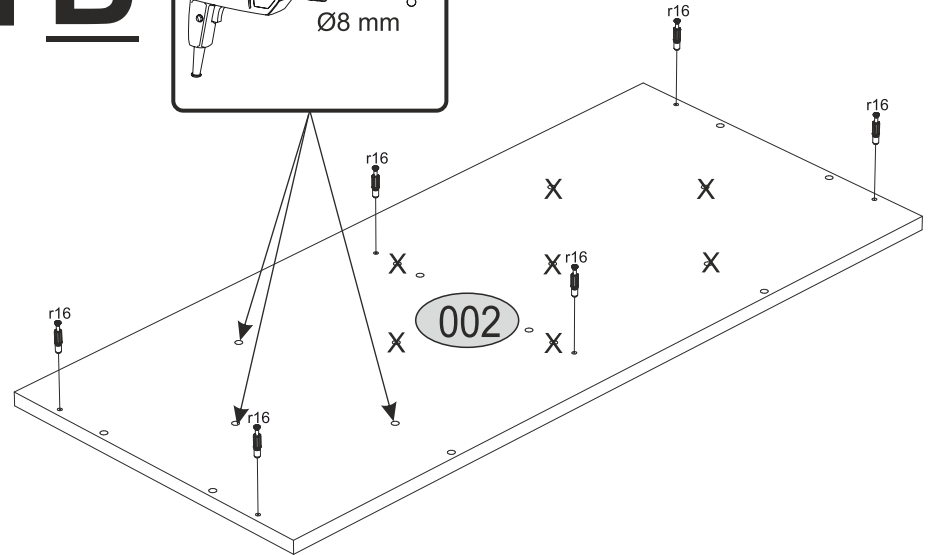
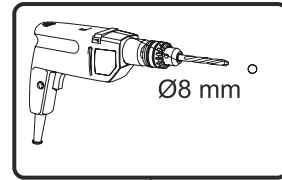
B



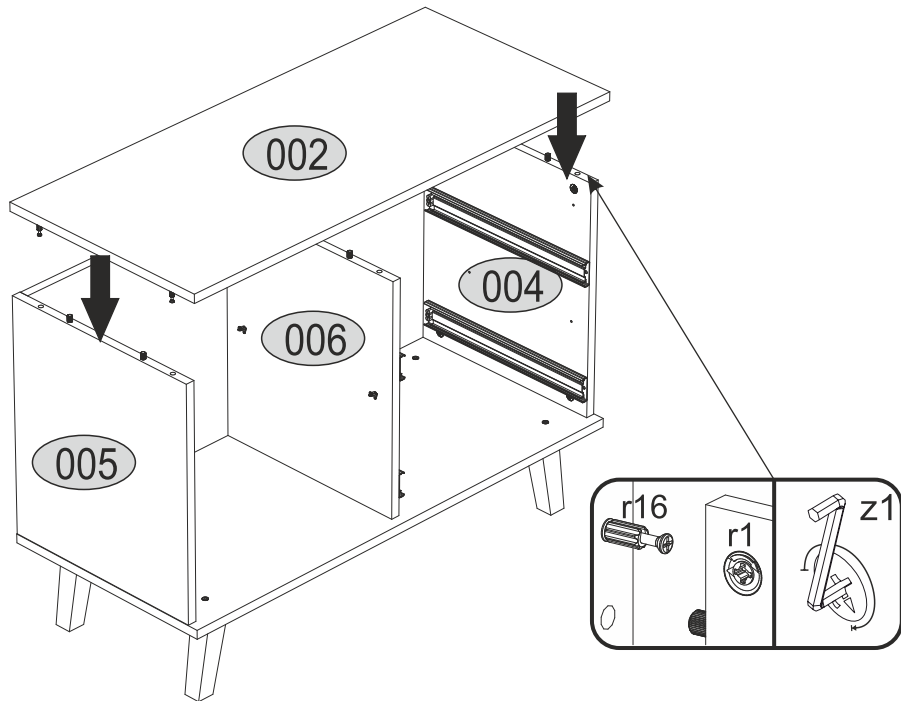
1A



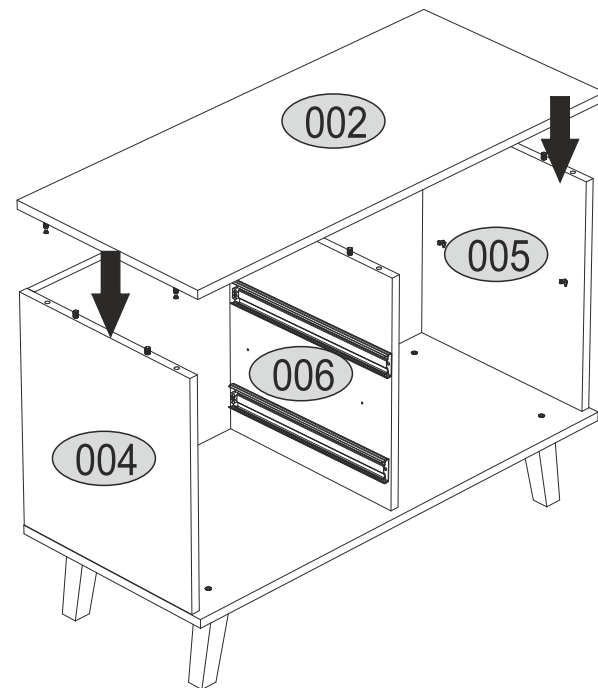
1B



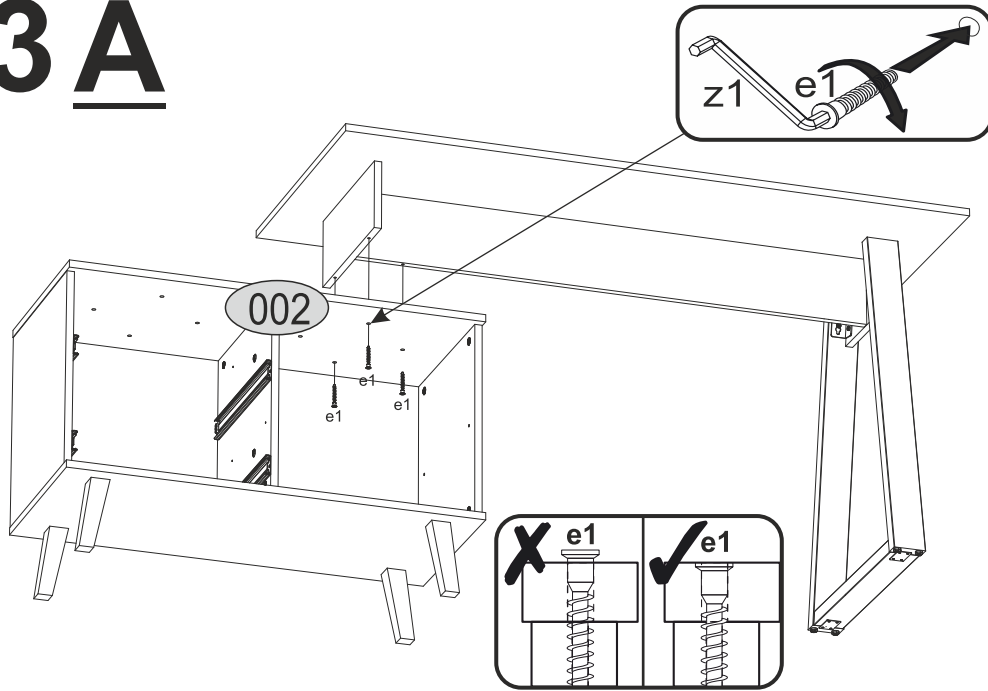
2



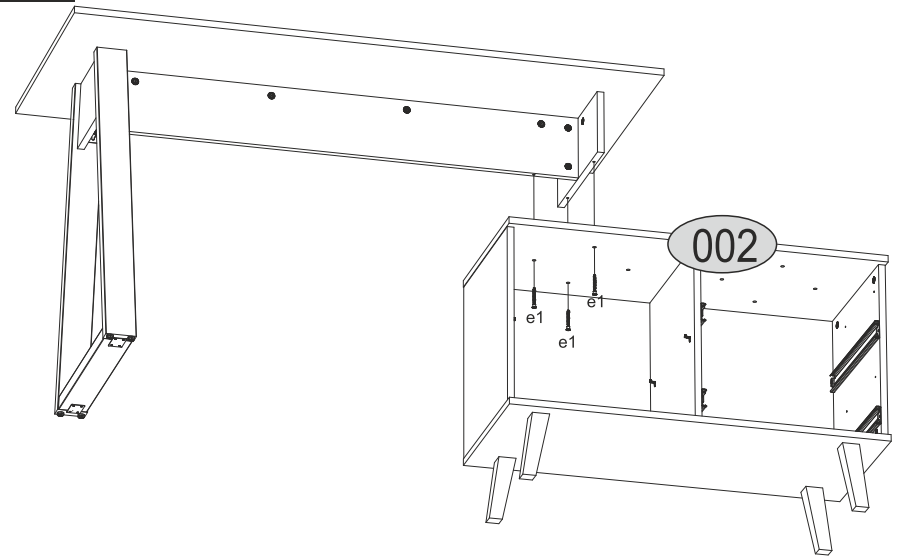
2



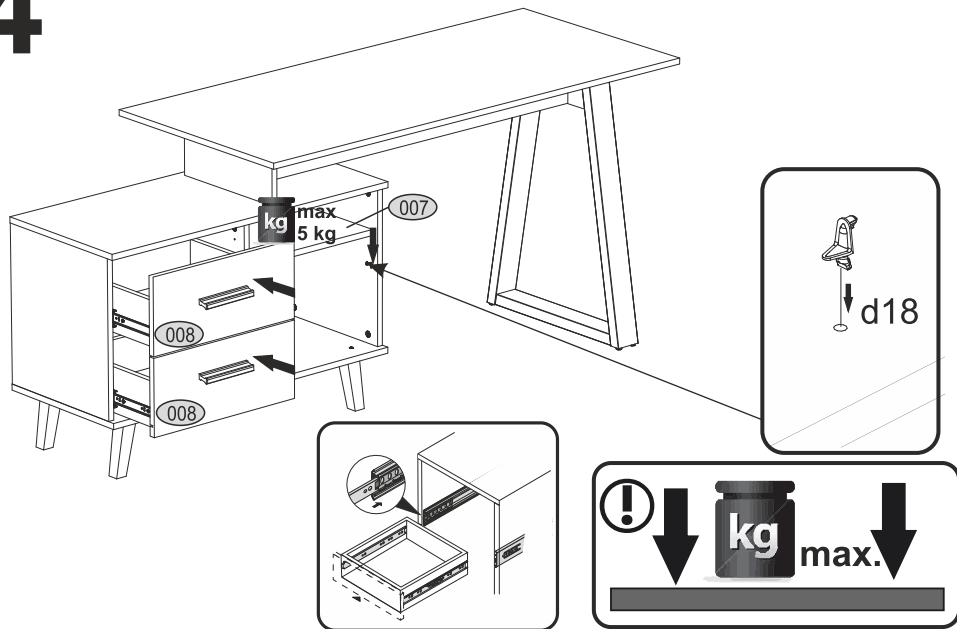
3 A



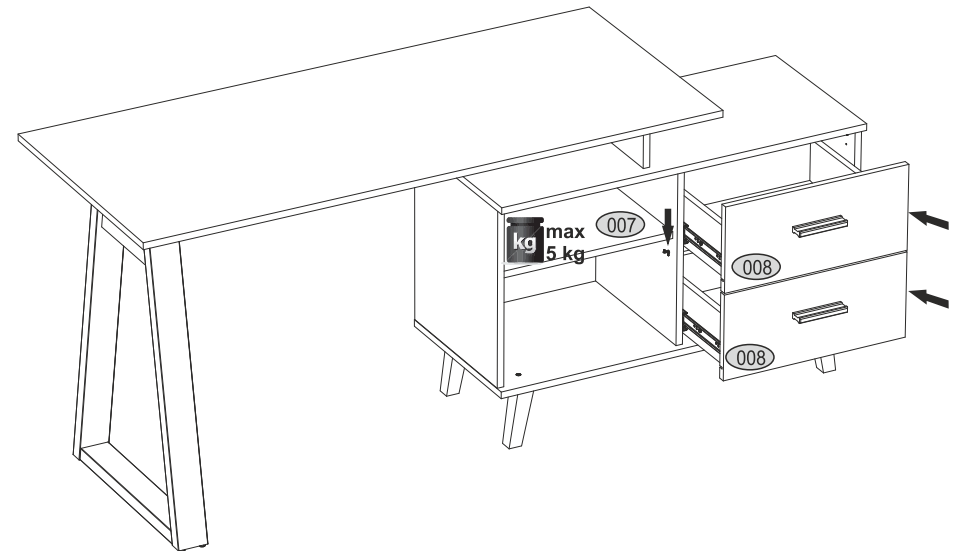
3 B



4



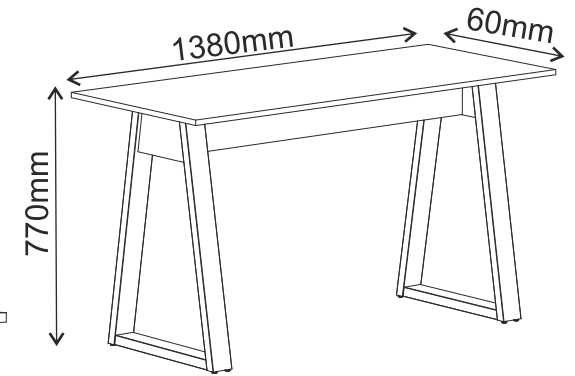
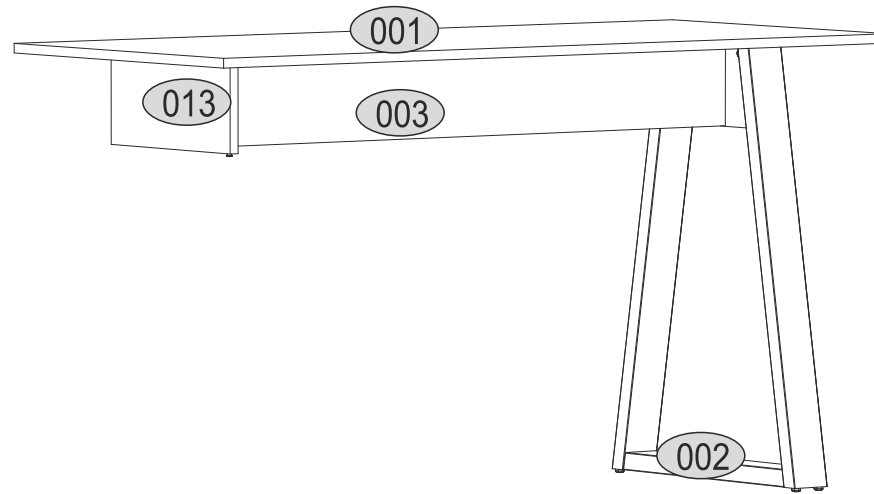
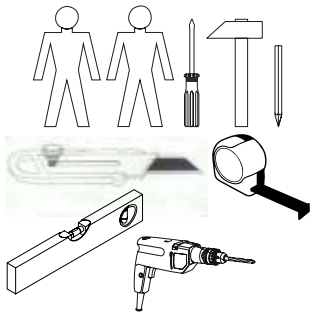
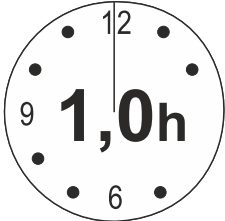
4





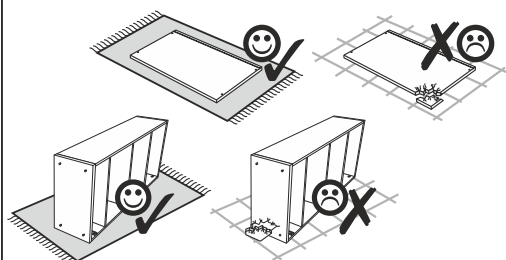
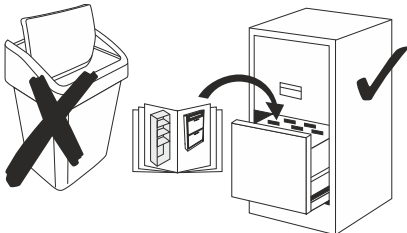
Installation manual

WRITING DESK_1380_LEG/TOP











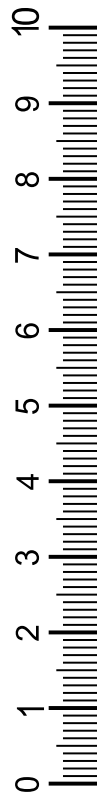
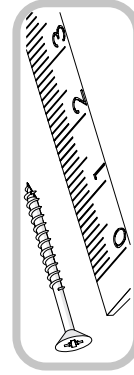
TOP

Code	Dimensions				Package
001	1380	600	16	1	1/1
003	149	1136	16	1	1/1
013	150	340	16	1	1/1
002	760	70	510	1	1/1
accessories				1	1/1

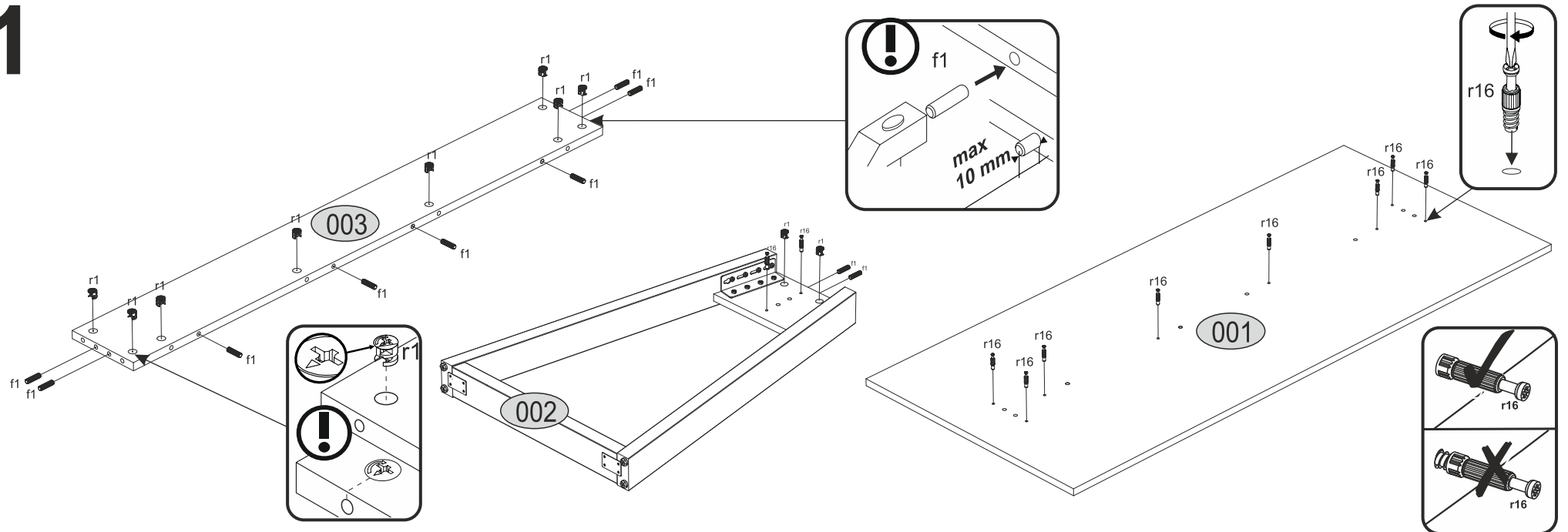


Accessories:

x12 f1 Ø8x30mm 	x12 r16 	x12 r1 	x12 s2 
x3 e1 Ø7x50mm 	x3 s1 	x1 s4 	x1 z1 

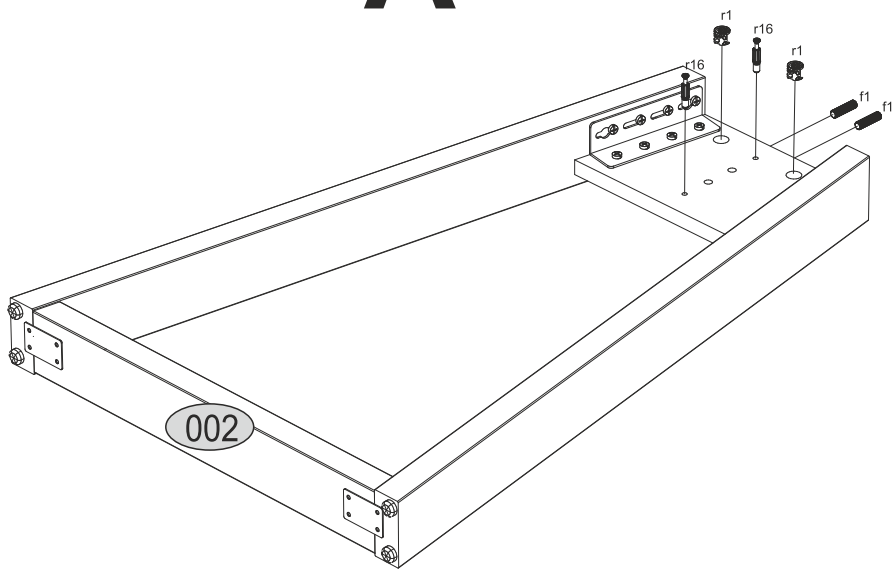


1



2

A



2

B

