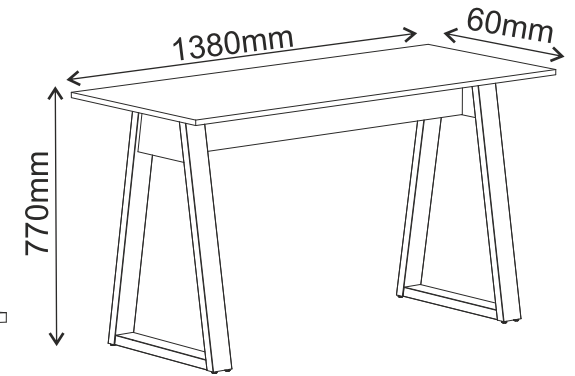
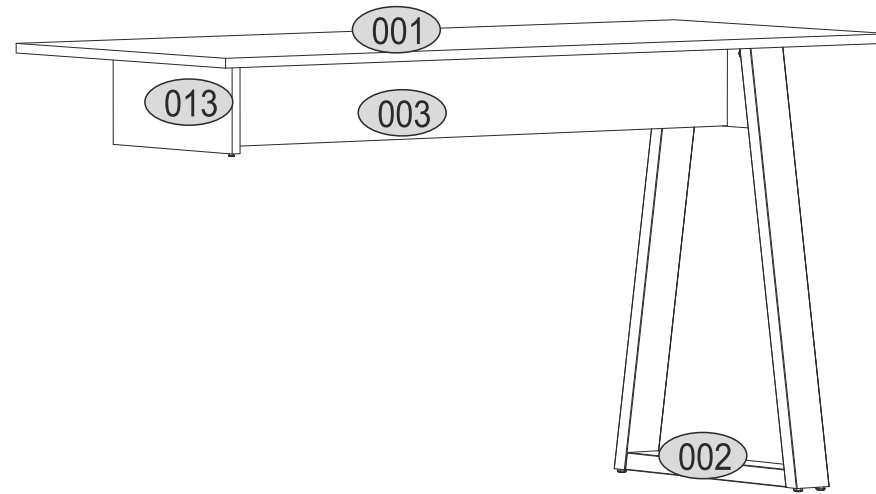
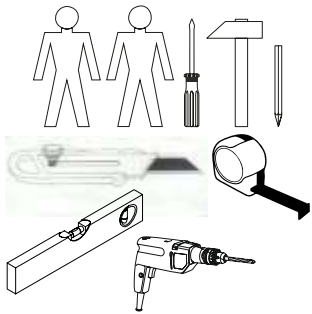
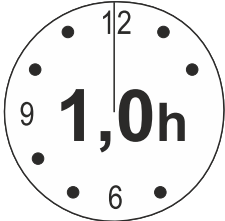




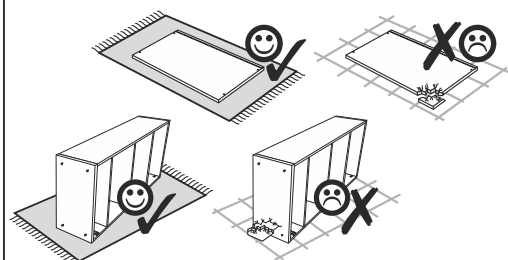
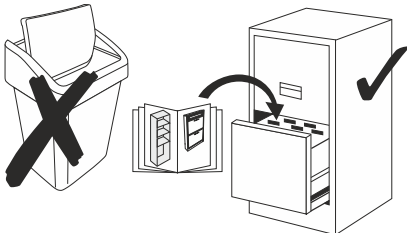
Installation manual

WRITING DESK_1380_LEG/TOP











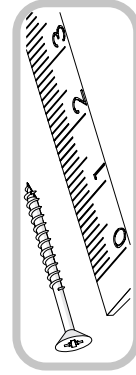
TOP

Code	Dimensions				Package
001	1380	600	16	1	1/1
003	149	1136	16	1	1/1
013	150	340	16	1	1/1
002	760	70	510	1	1/1
accessories				1	1/1

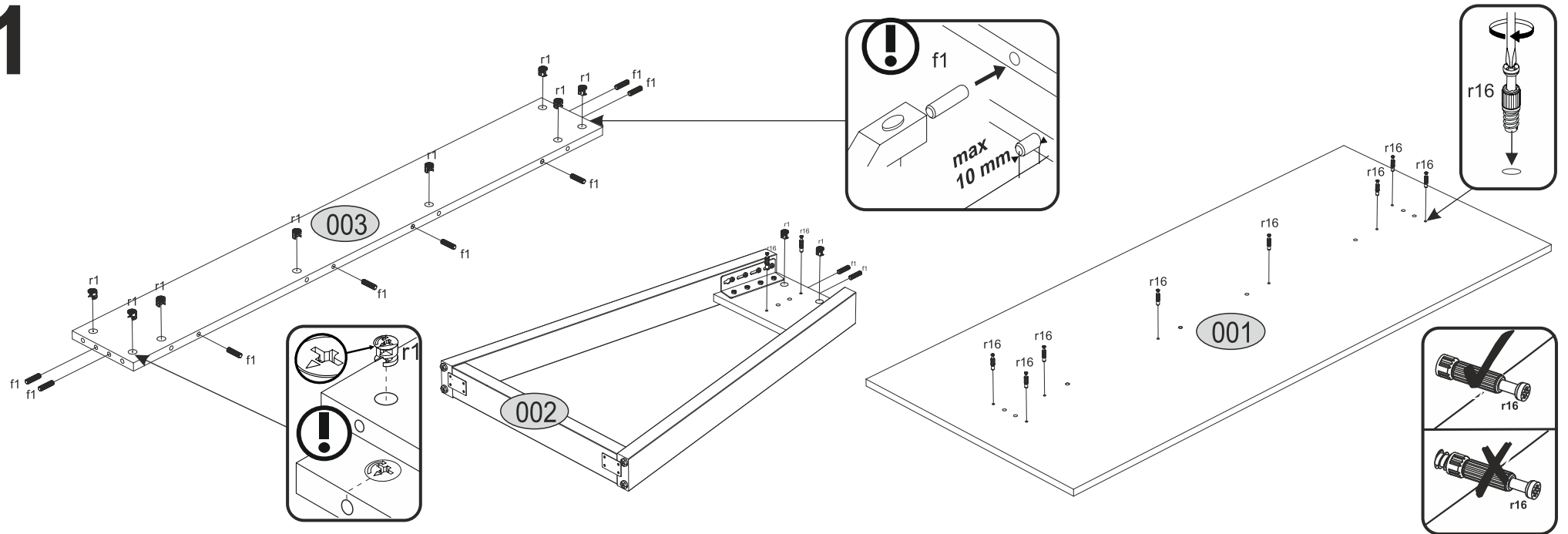


Accessories:

x12 f1 Ø8x30mm 	x12 r16 	x12 r1 	x12 s2 
x3 e1 Ø7x50mm 	x3 s1 	x1 s4 	x1 z1 

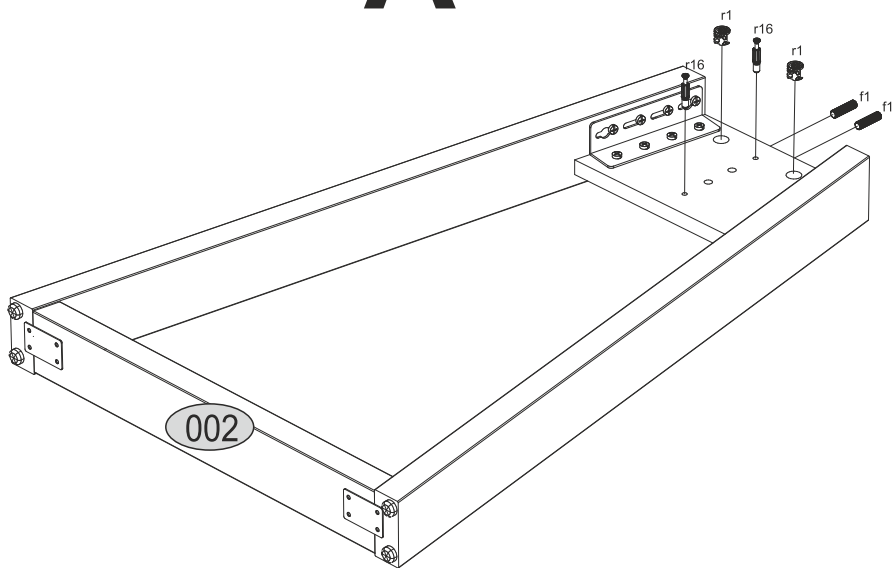


1



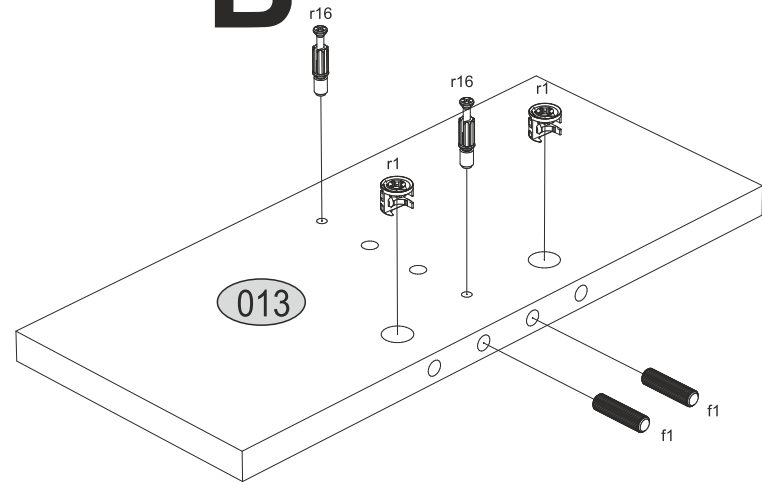
2

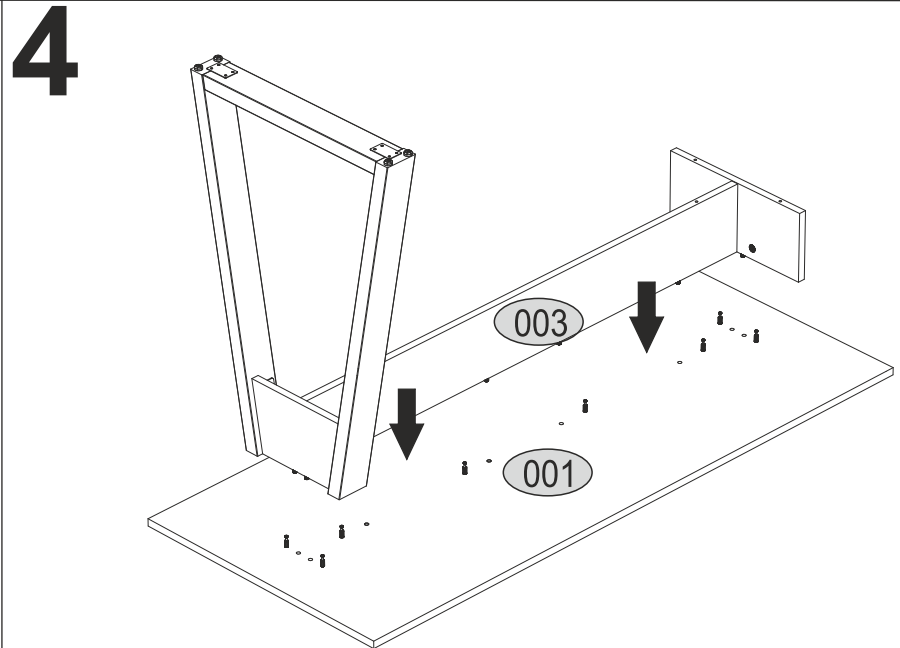
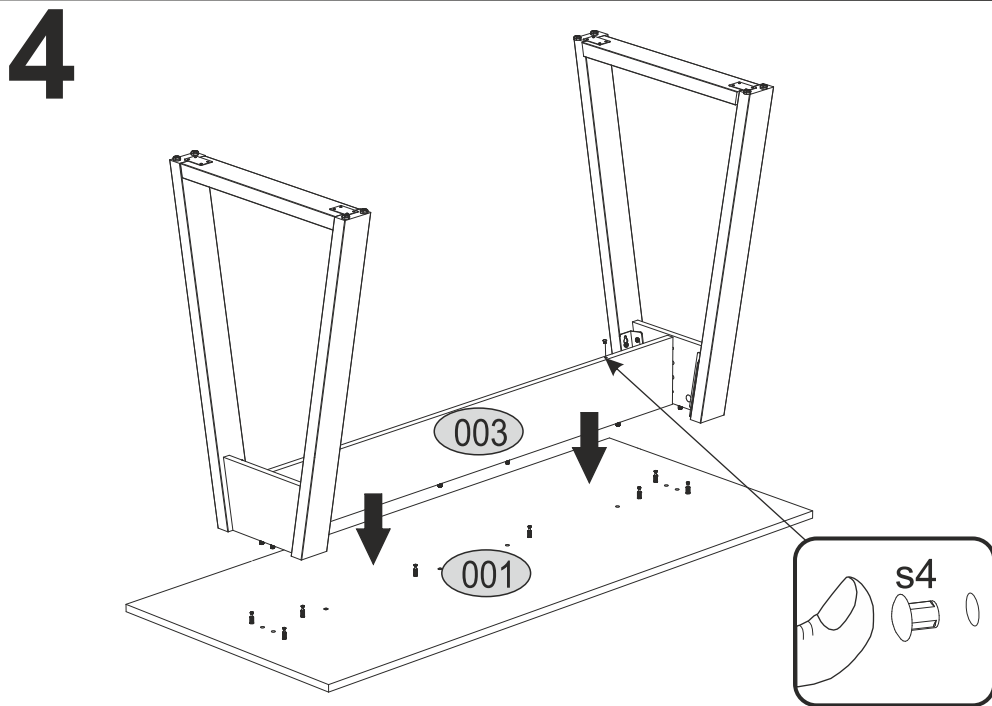
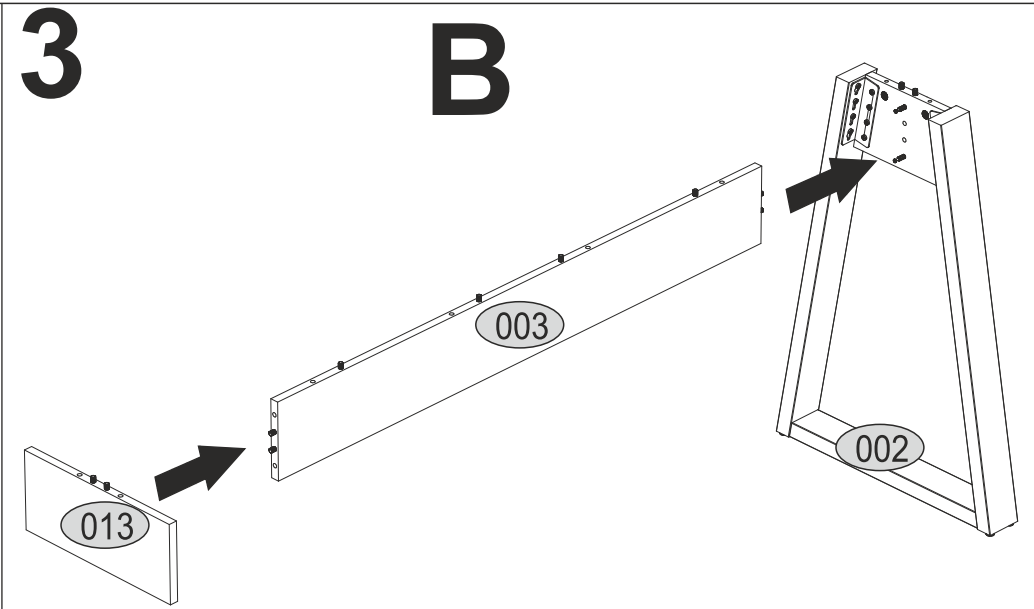
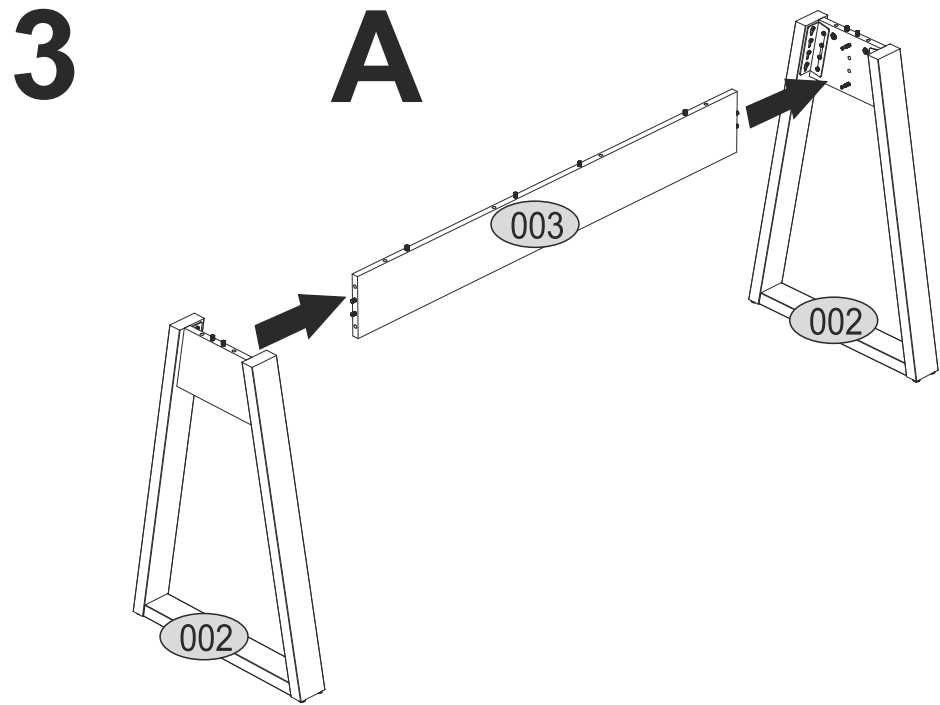
A



2

B

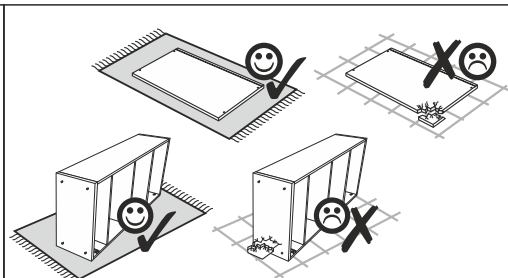
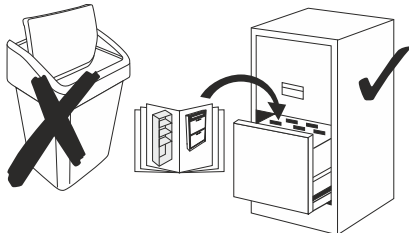
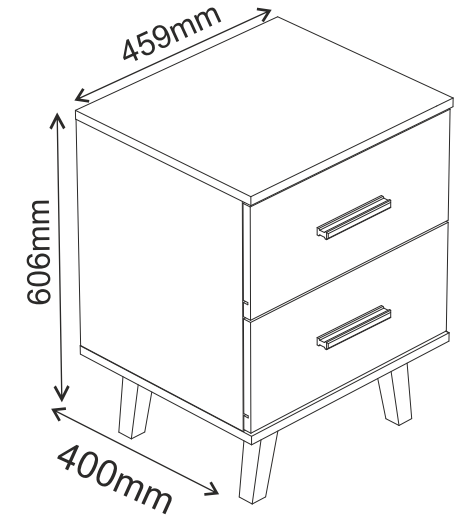
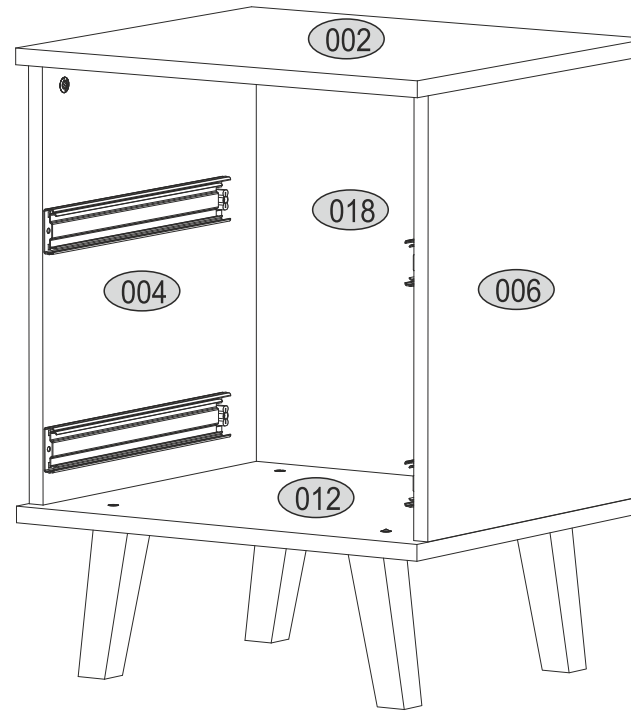
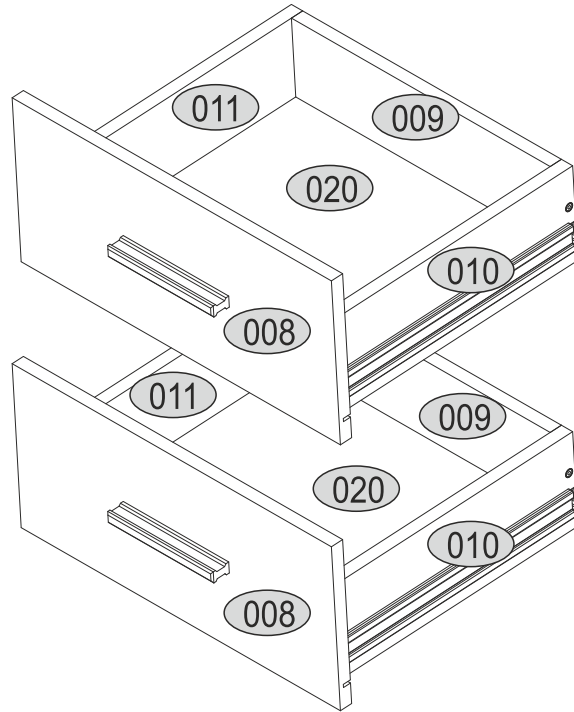
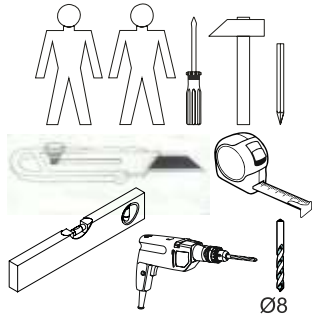








Installation manual

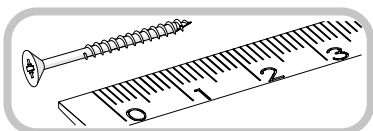
CABINET 2S 46



Code	Dimensions			Package	
002	459	400	16	1	1/1
004	424	380	16	1	1/1
006	424	380	16	1	1/1
008	454	208	16	2	1/1
009	368	120	16	2	1/1
010	350	120	16	2	1/1
011	350	120	16	2	1/1
012	459	400	16	1	1/1
018	424	425	16	1	1/1
020	352	386	3	2	1/1
accessories				2	1/1

Accessories:

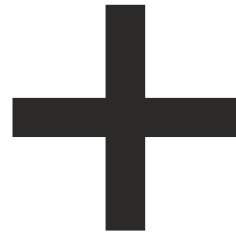
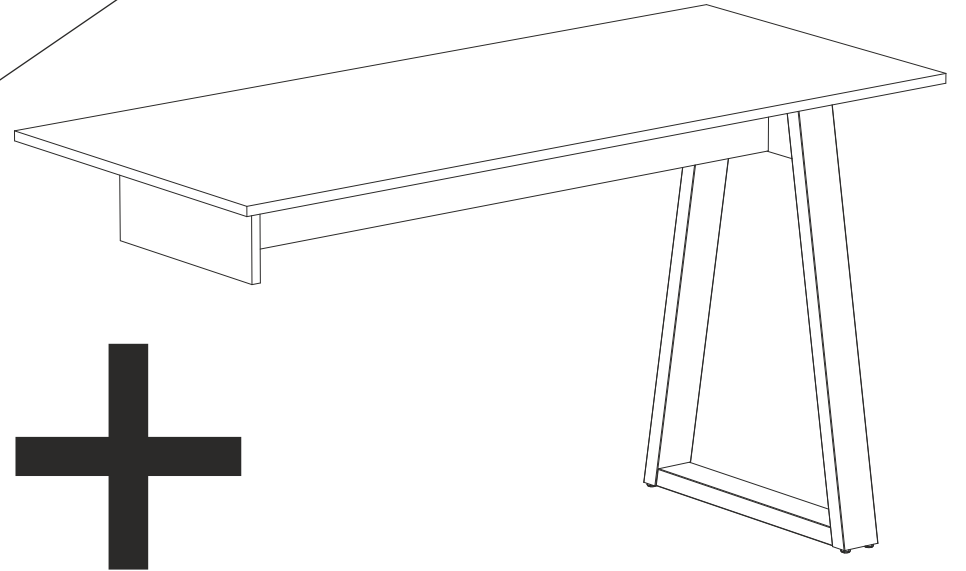
<p>x2 lb-350</p> 	<p>x2 c57</p> 	<p>x8 r1</p> 	<p>x12 e1</p> <p><i>Ø7x50mm</i></p> 
<p>x12 s1</p> 	<p>x32 f1</p> <p><i>Ø8x30mm</i></p> 	<p>x4 p9</p> 	<p>x1 z1</p> 
<p>x8 r16</p> 	<p>x24 p25</p> 	<p>x8 s2</p> 	<p>x4 k88</p> 



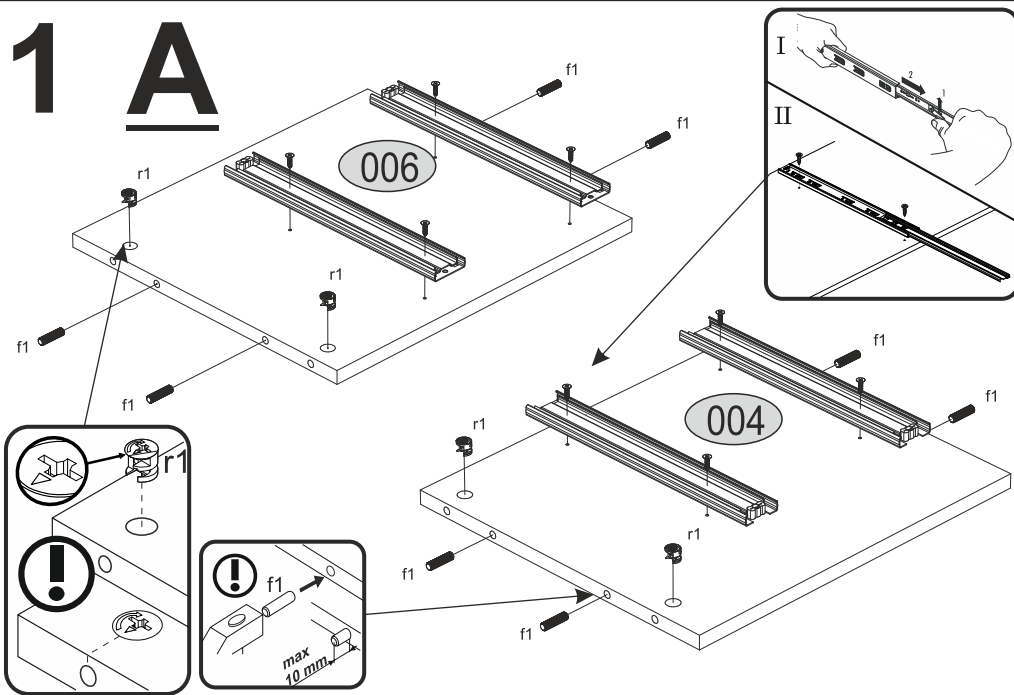
A



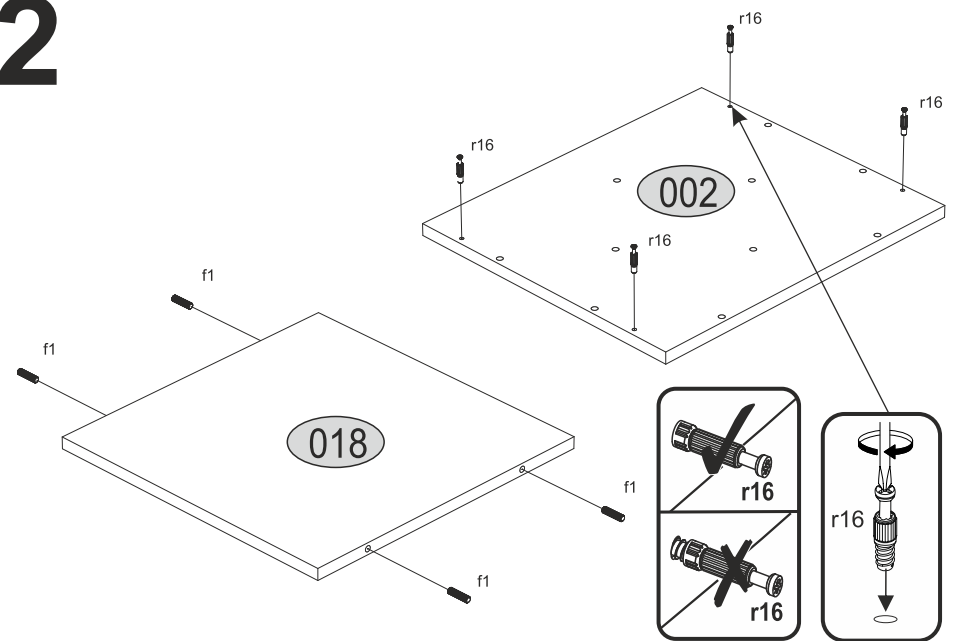
B



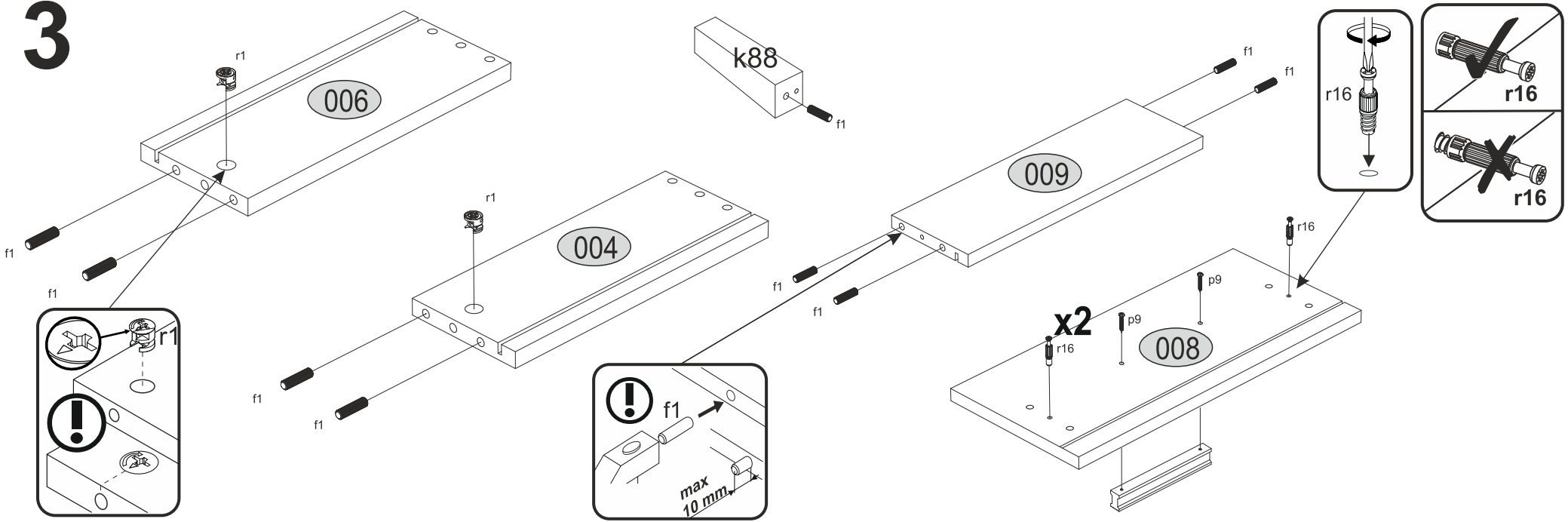
1 A

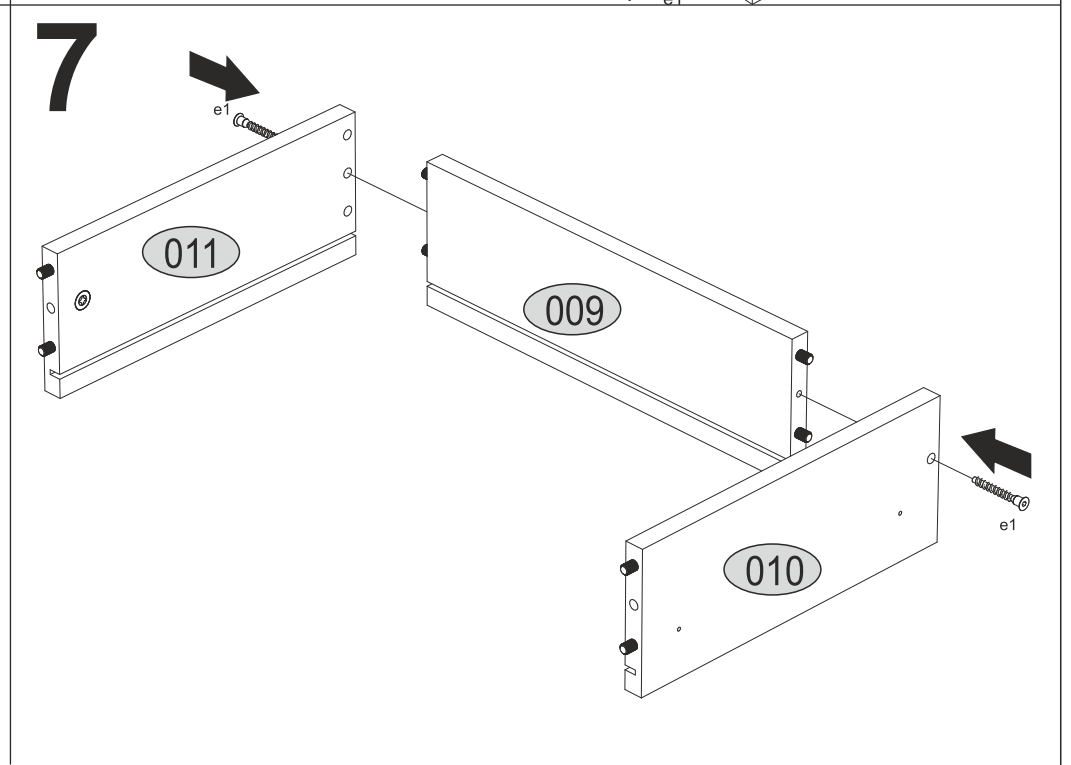
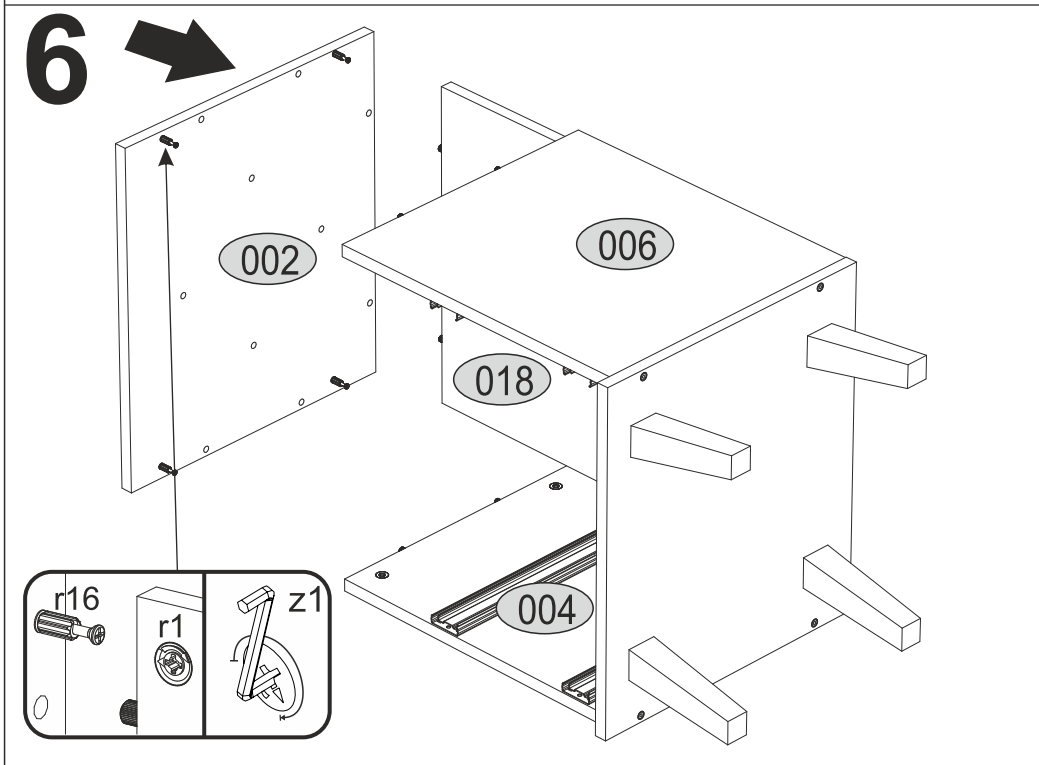
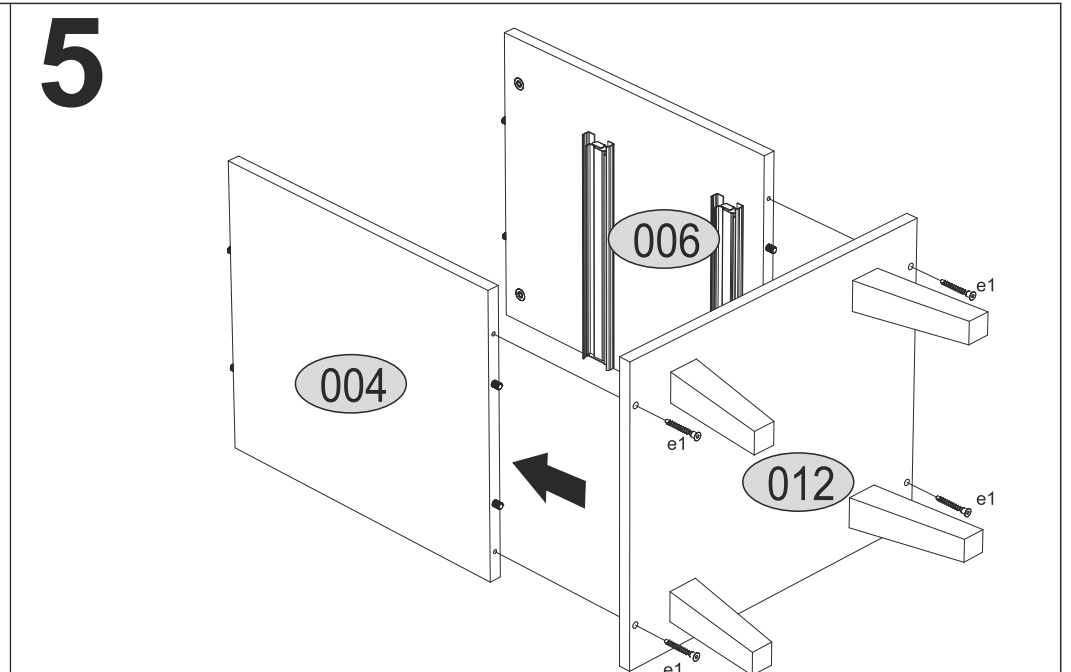
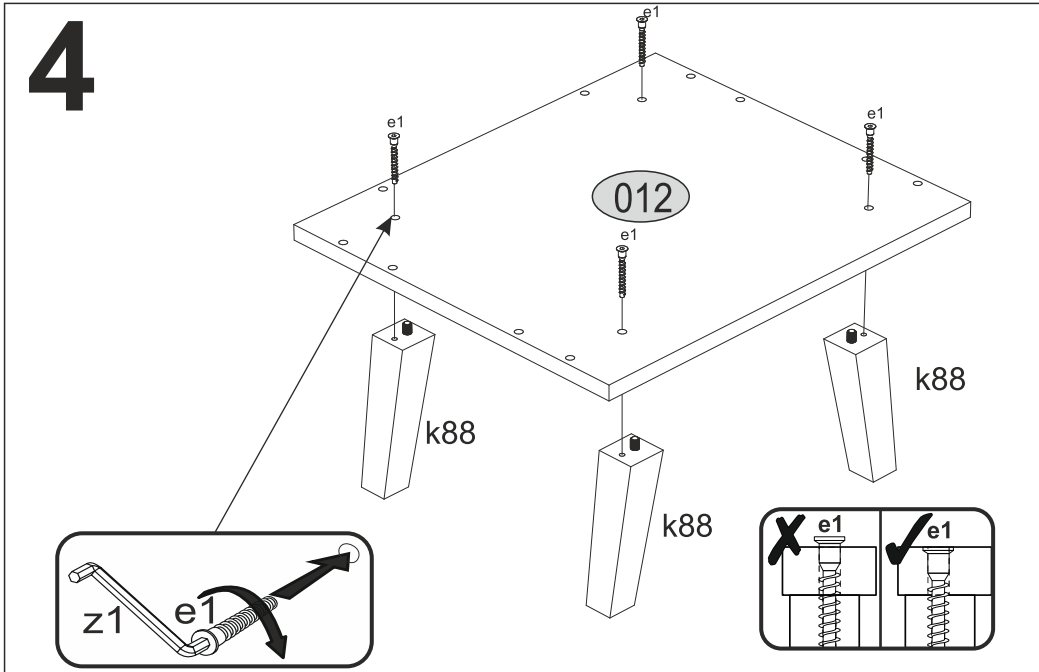


2

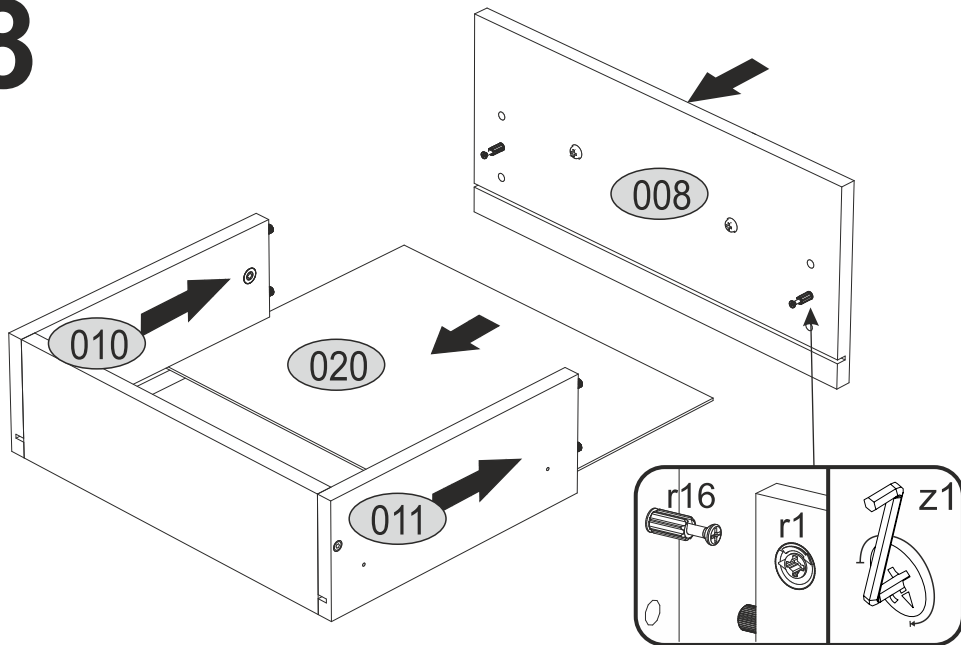


3

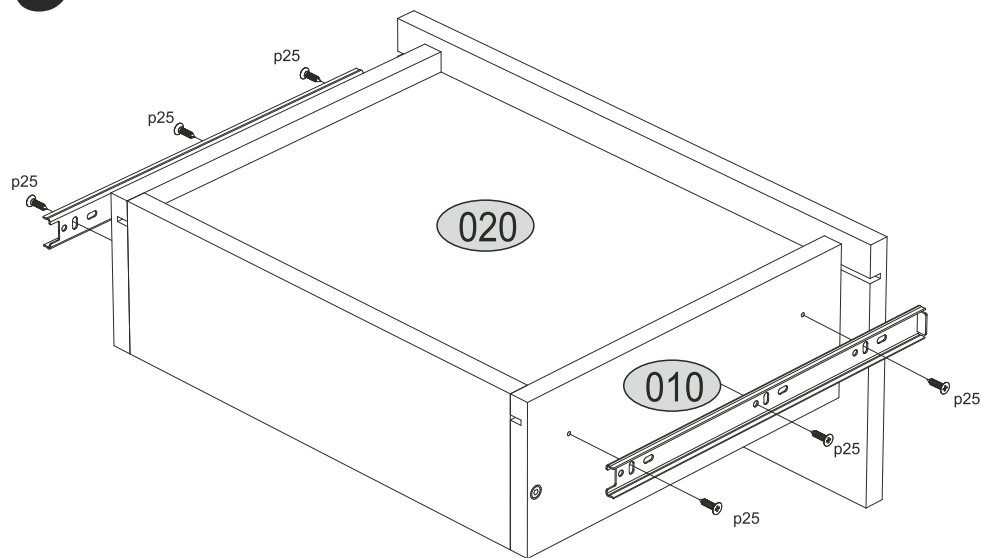




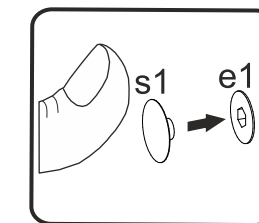
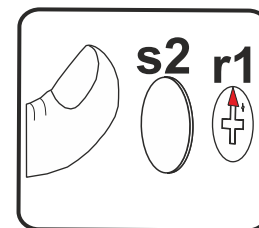
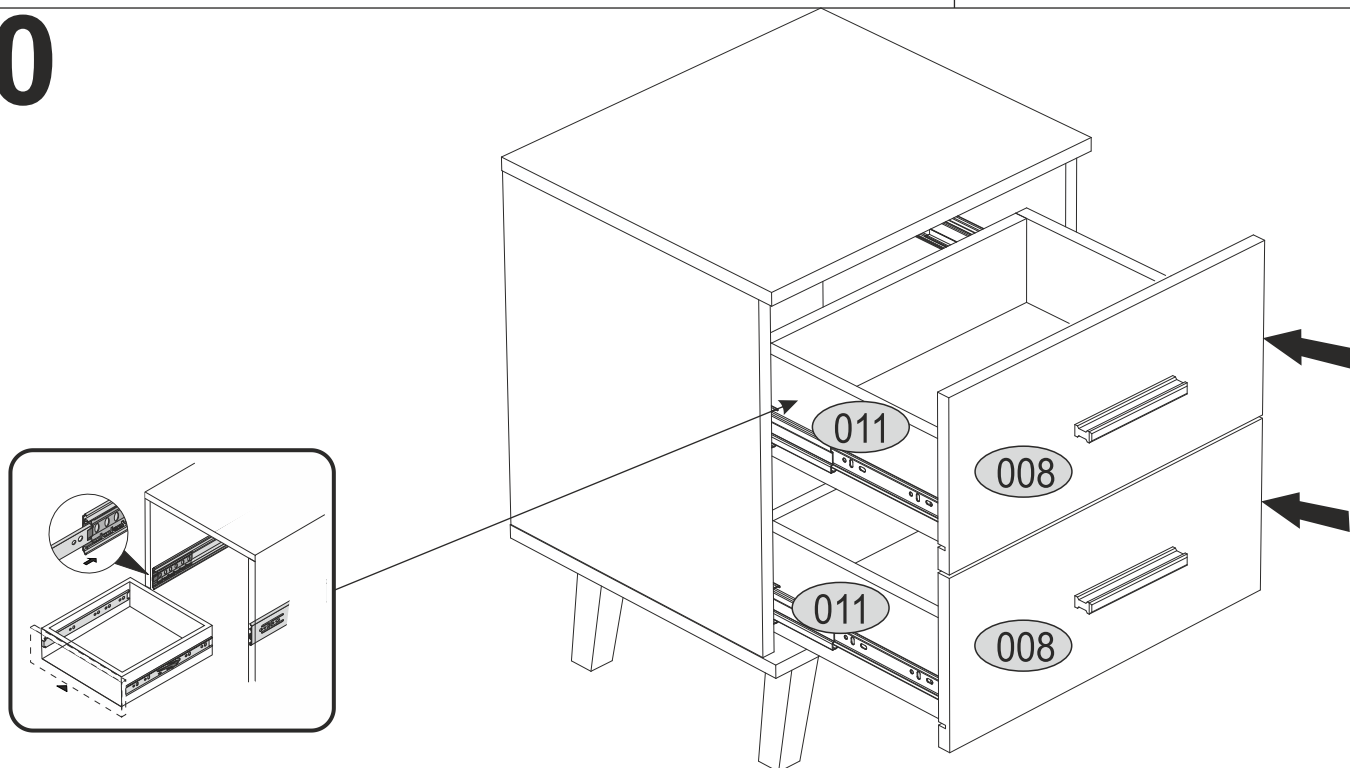
8



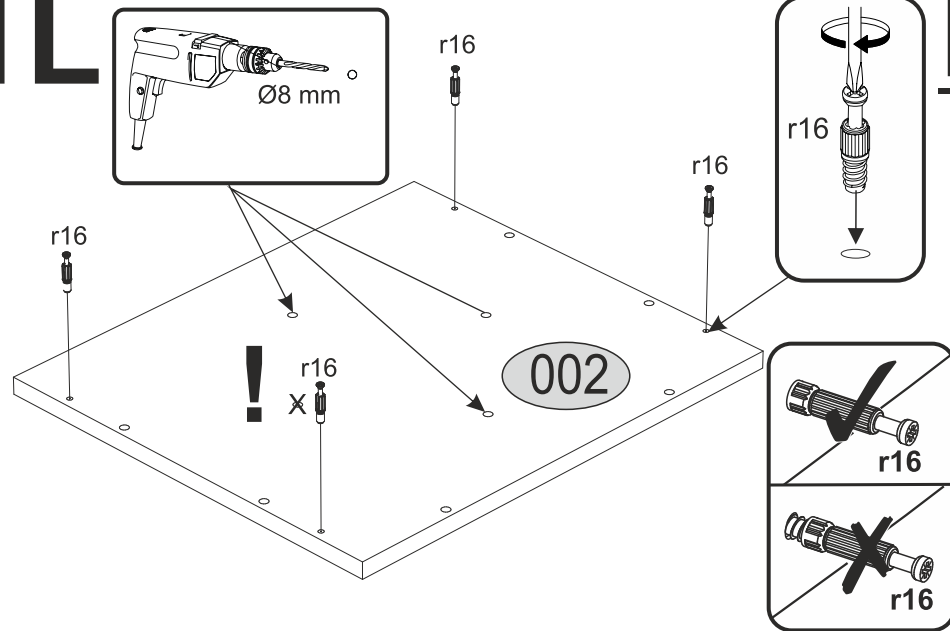
9



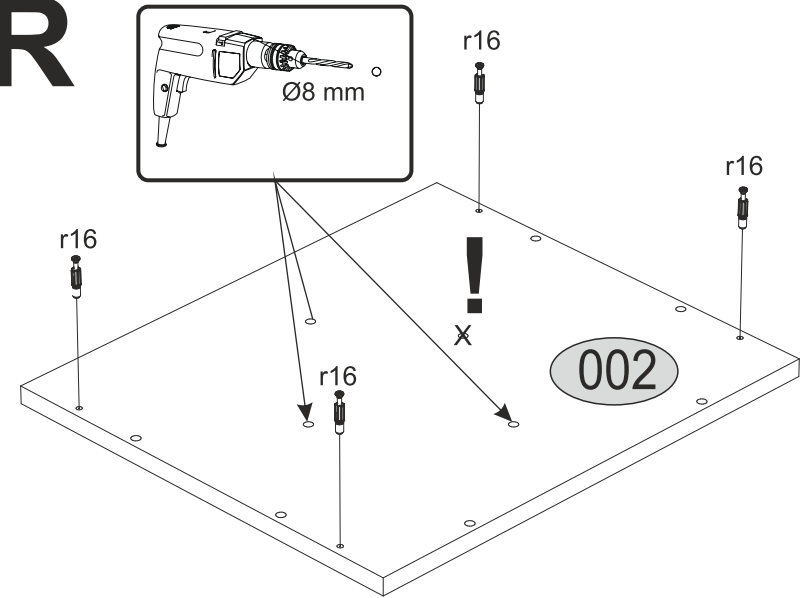
10



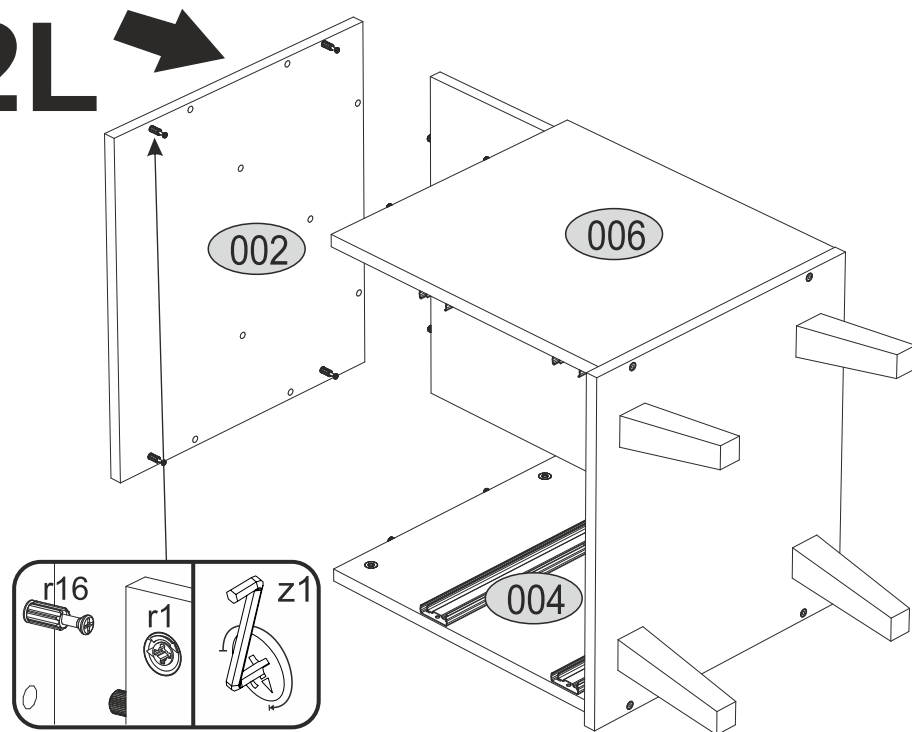
1L



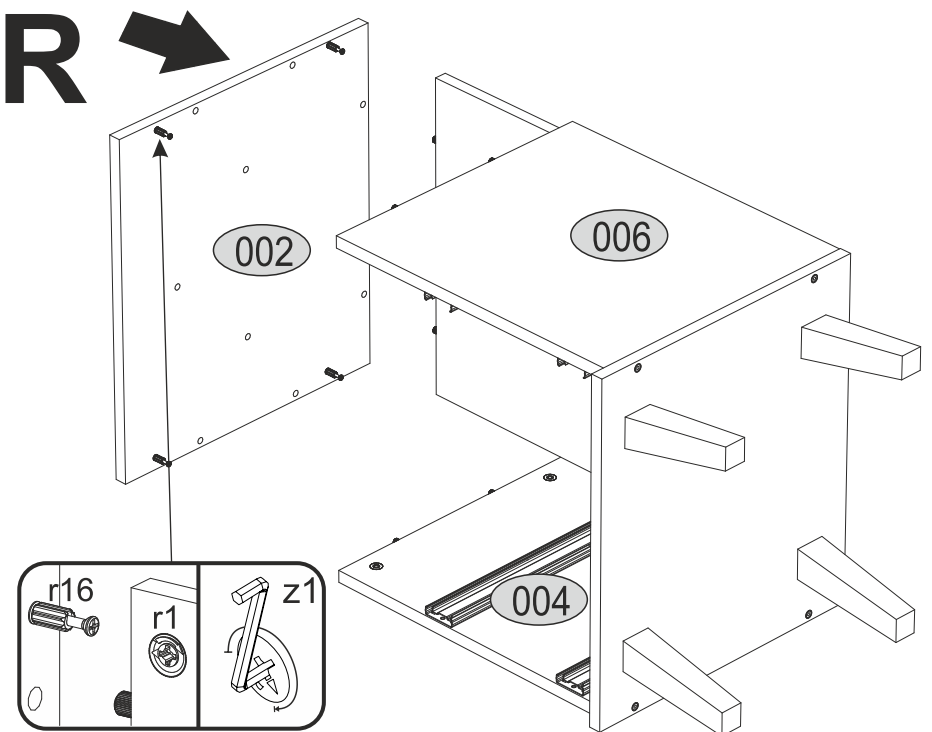
B 1R



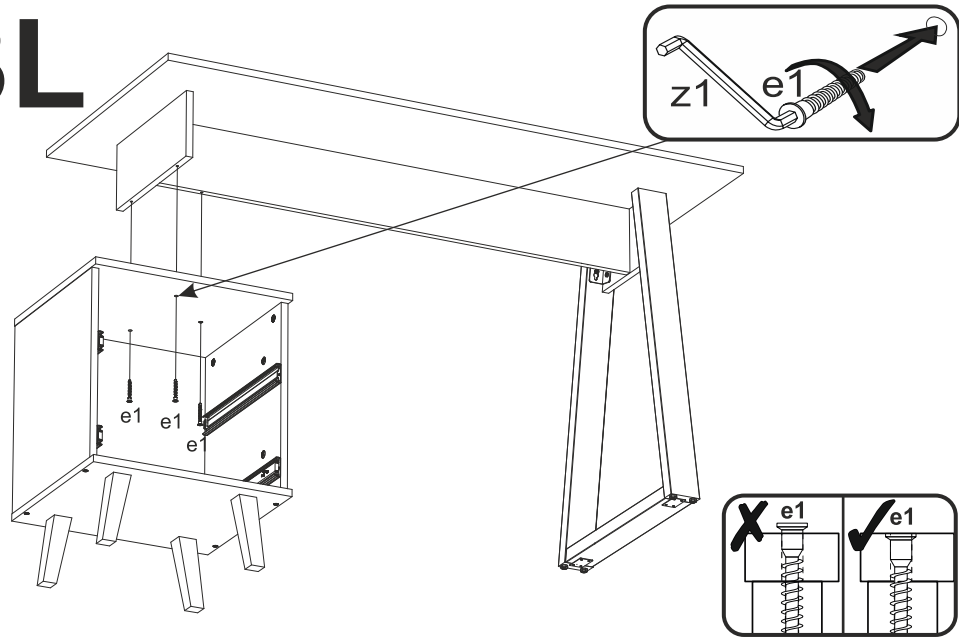
2L



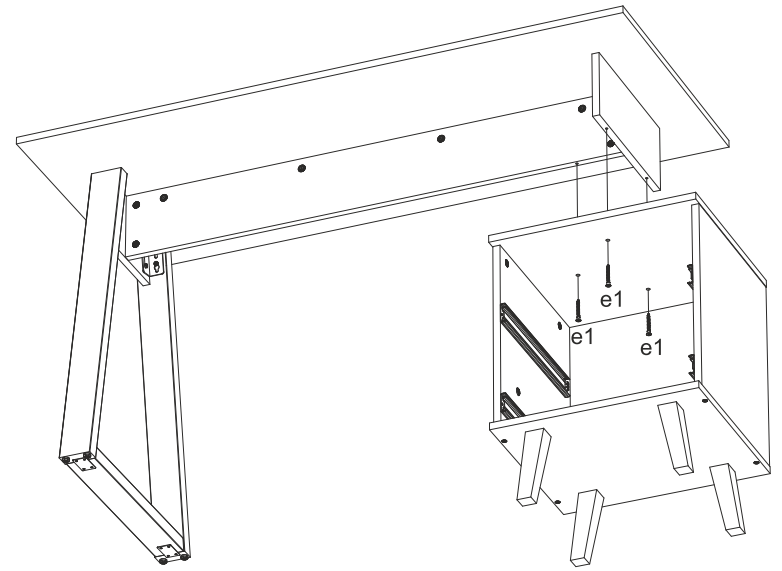
2R



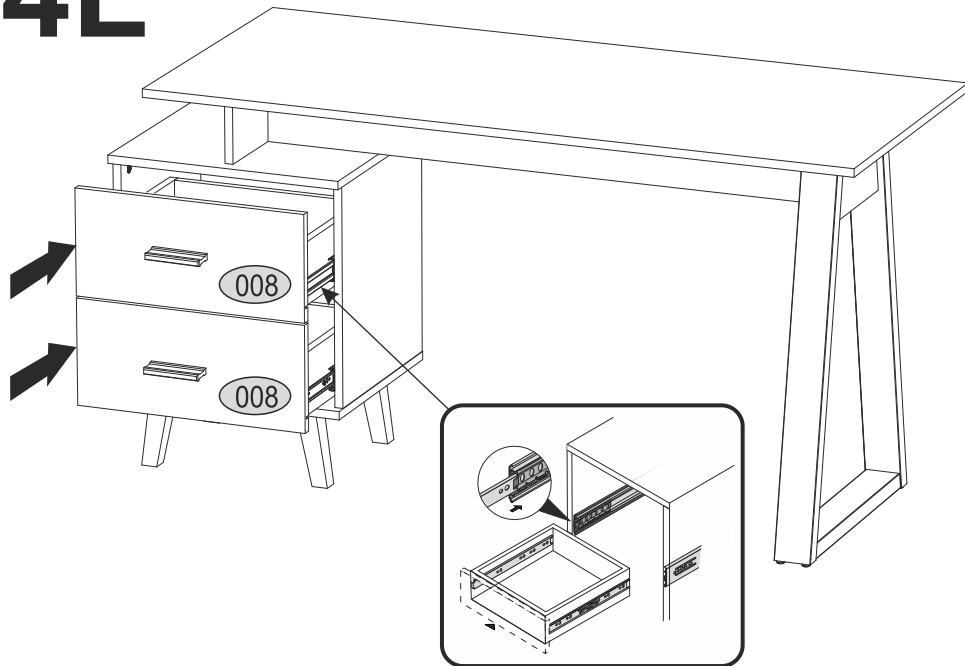
3L



3R



4L



4R

