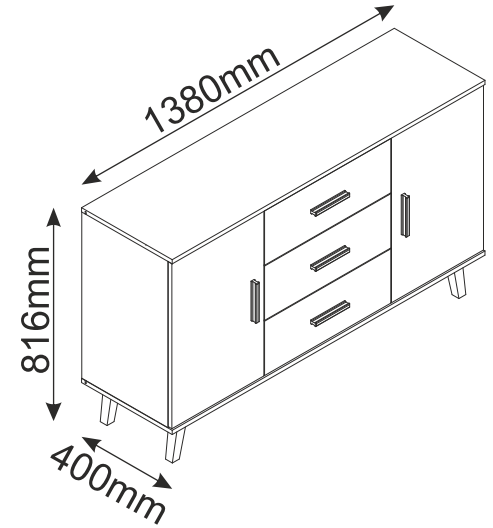
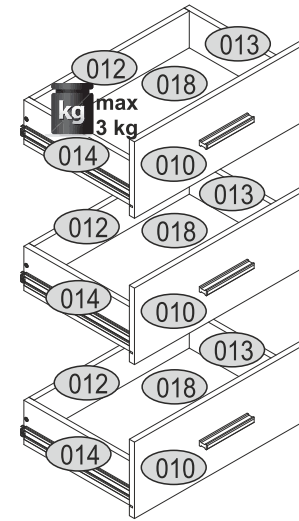
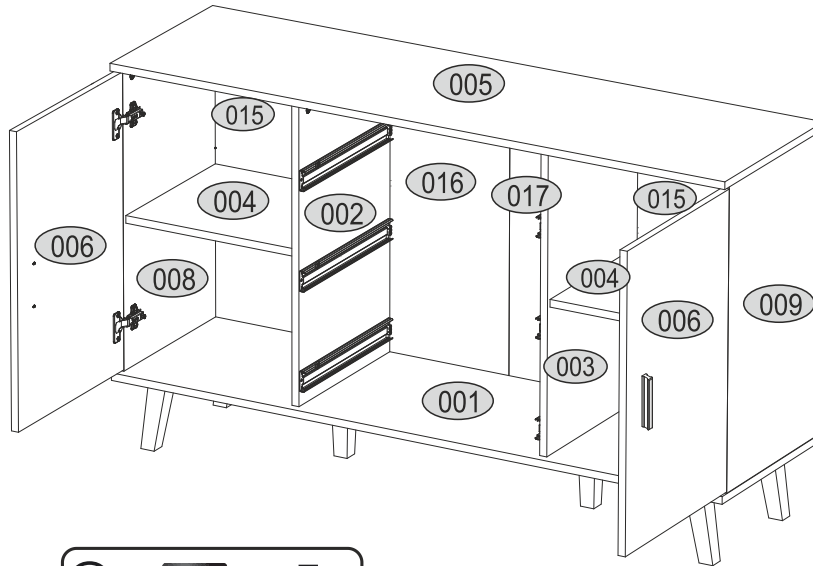
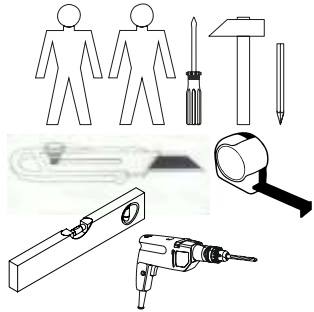
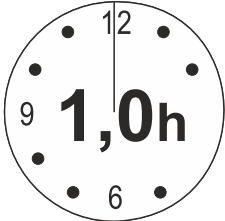


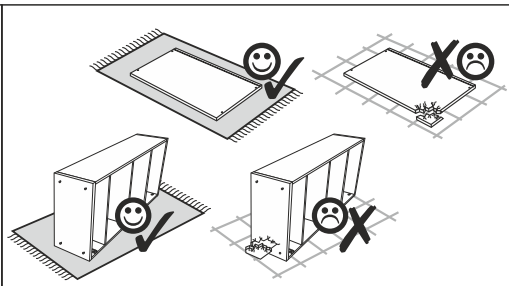
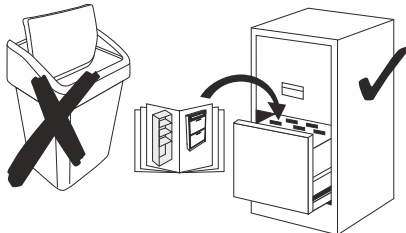


Installation manual

CHEST 2D3S

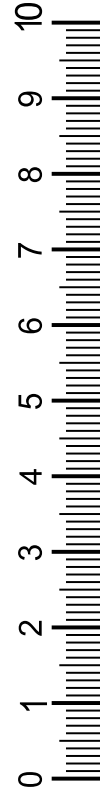
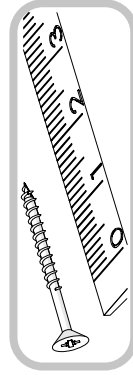


Code	Dimensions				Package
001	1380	400	16	1	2/2
002	634	360	16	1	2/2
003	634	360	16	1	2/2
004	385	350	16	2	2/2
005	1380	400	16	1	2/2
006	628	406	16	2	1/2
008	634	380	16	1	2/2
009	634	380	16	1	2/2
010	557	207	16	3	1/2
012	487	120	16	3	1/2
013	350	120	16	3	1/2
014	350	120	16	3	1/2
015	652	402	3	2	2/2
016	652	280	3	1	2/2
017	652	280	3	1	2/2
018	352	505	3	3	2/2
accessories				1	1/2

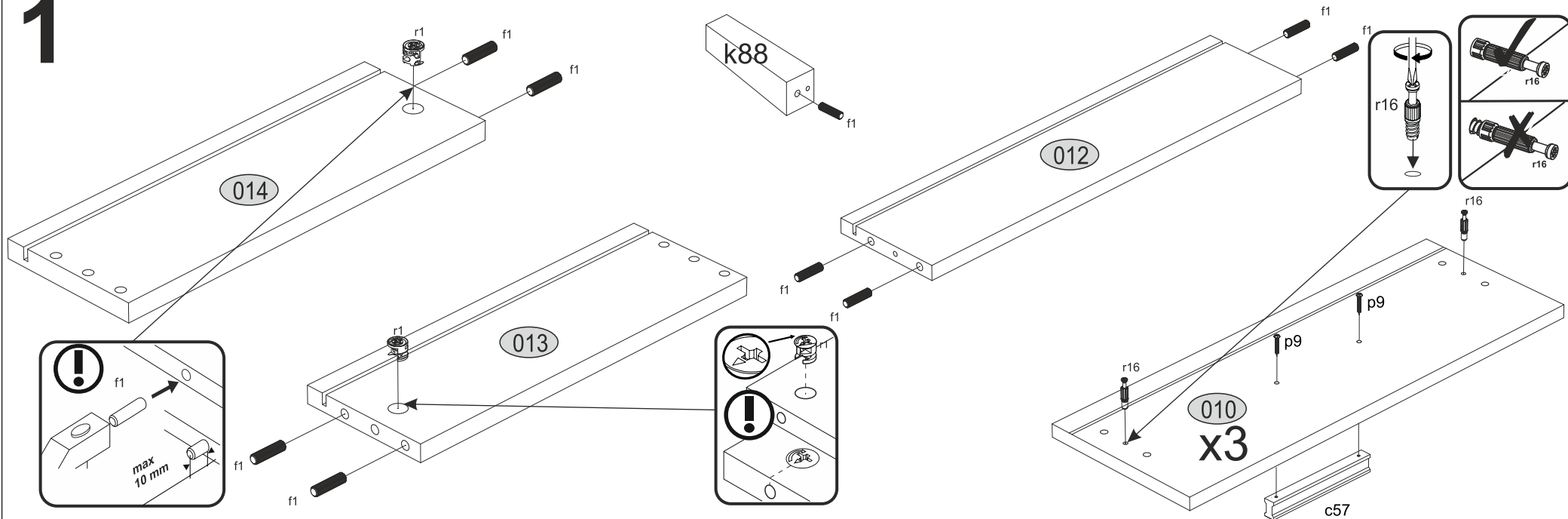


Accessories:

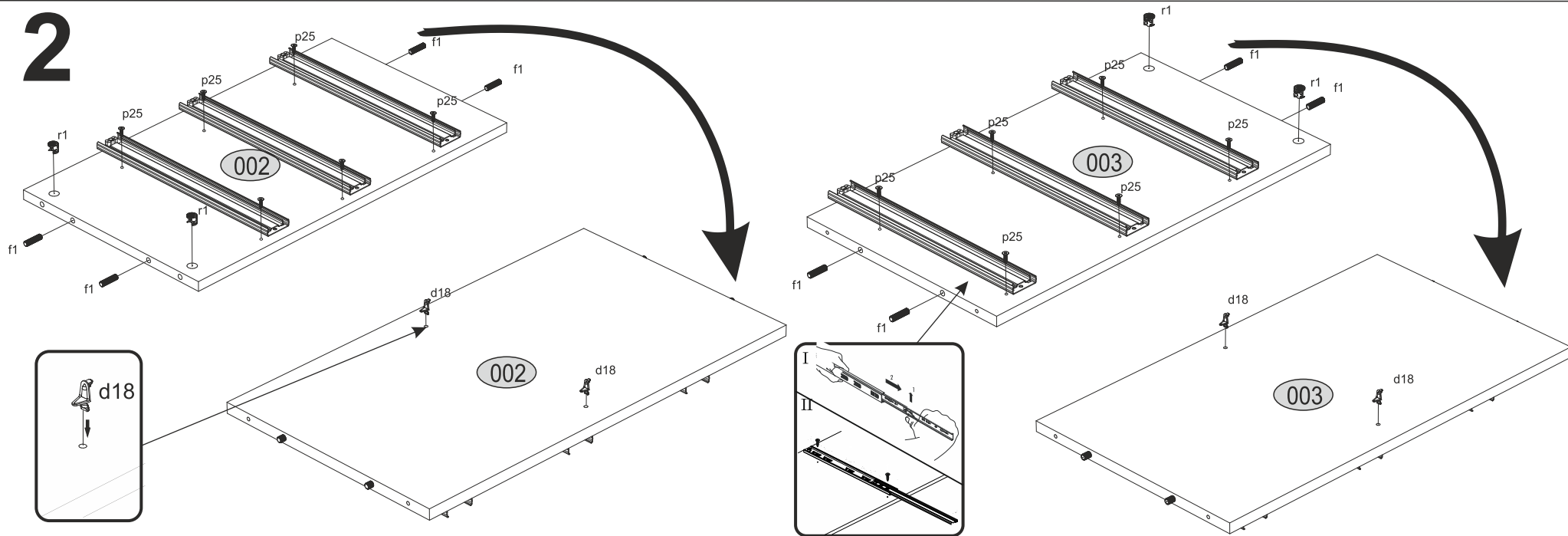
<p>x3 lb-350</p> 	<p>x1 p17</p> 	<p>x14 r1</p> 	<p>x20 e1 Ø7x50mm</p> 
<p>x12 s1</p> 	<p>x44 f1 Ø8x30mm</p> 	<p>x10 p9</p> 	<p>x1 z1</p> 
<p>x14 r16</p> 	<p>x54 p25</p> 	<p>x14 s2</p> 	<p>x8 d18</p> 
<p>x5 c57</p> 	<p>x4 b119</p> 	<p>x4 a144</p> 	<p>x2 n260</p> 
<p>x6 l2</p> 	<p>x1 n14</p> 	<p>x1 f3</p> 	<p>x2 k87</p> 
<p>x4 k88</p> 			

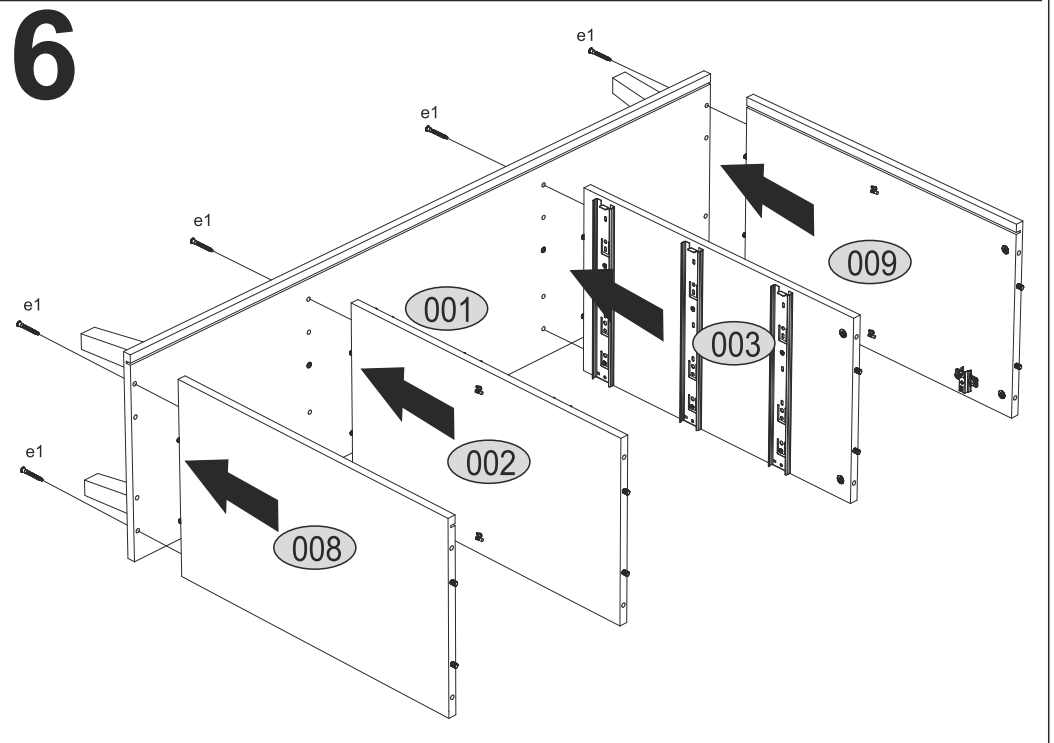
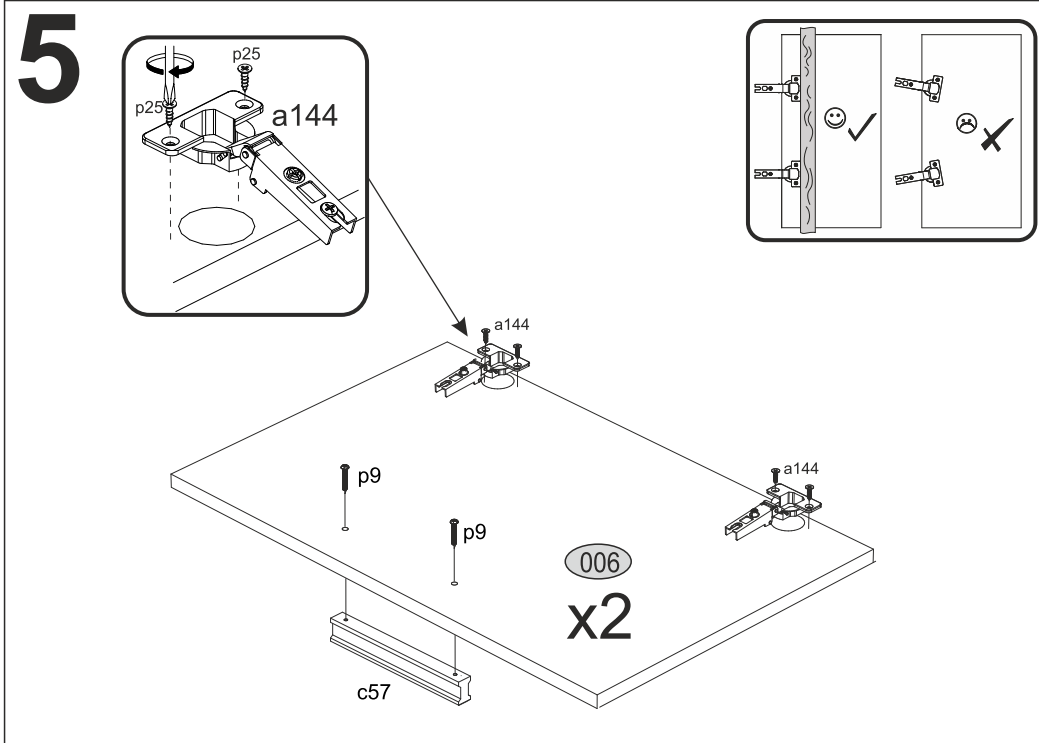
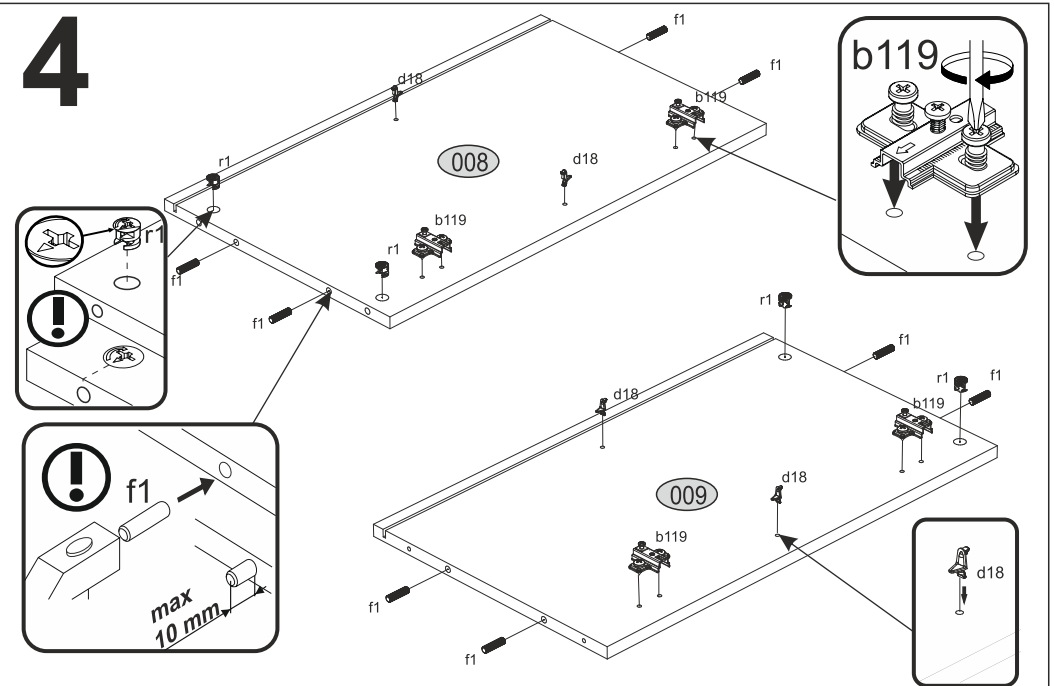
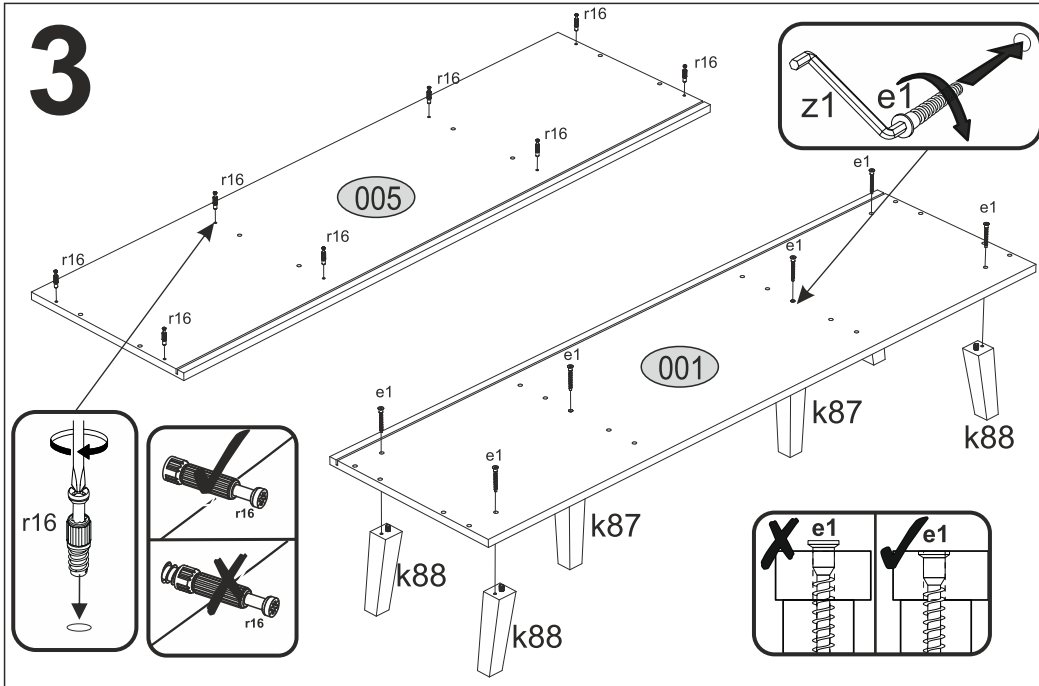


1

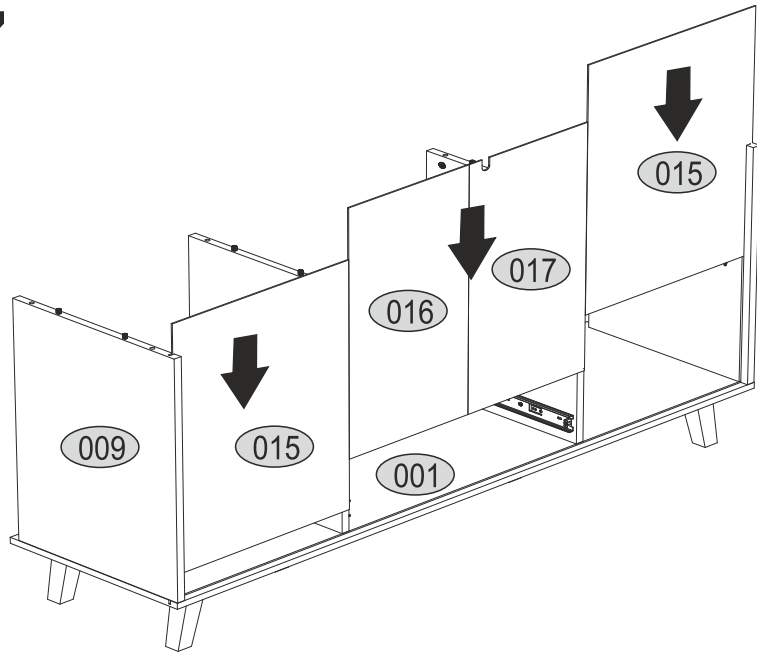


2

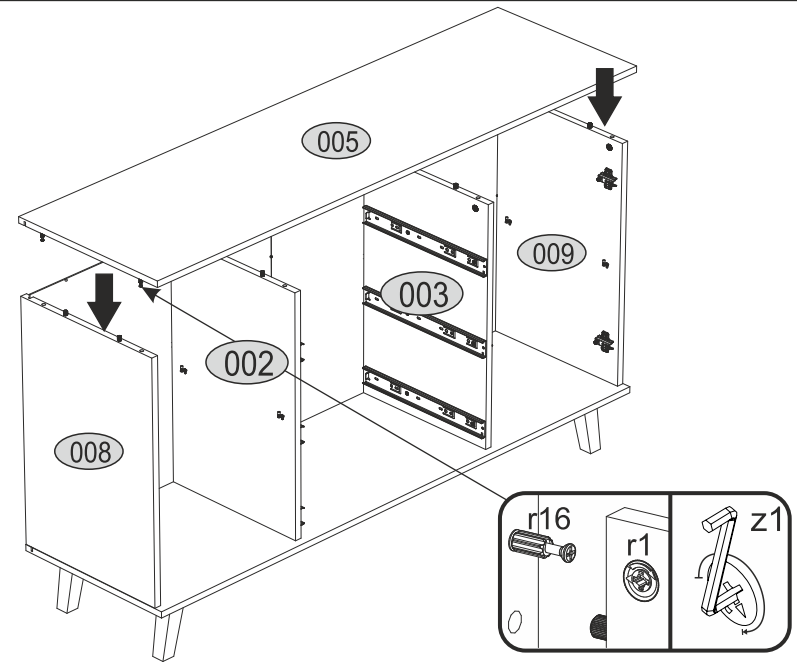




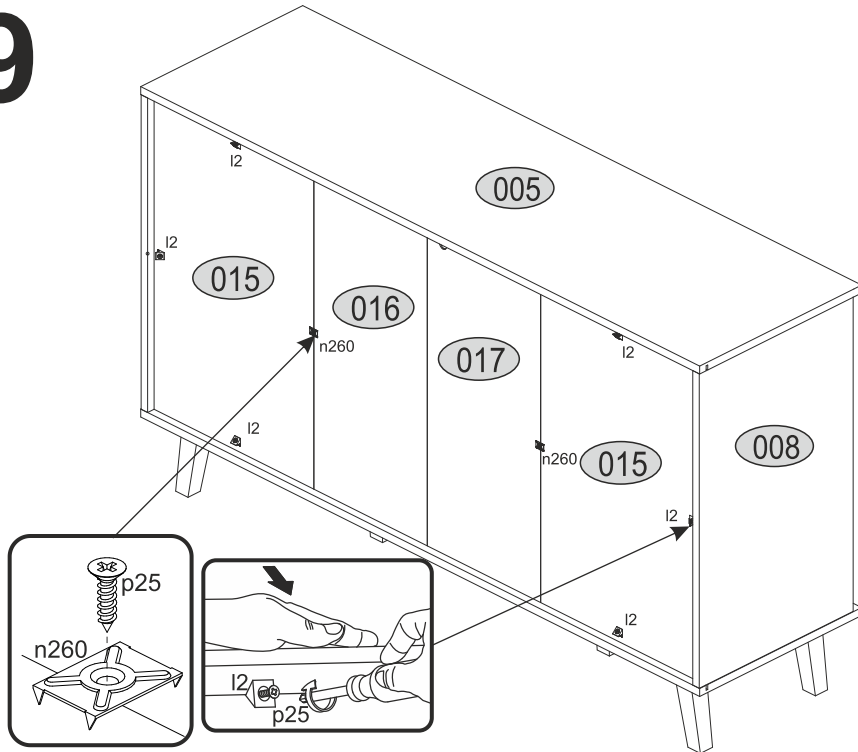
7



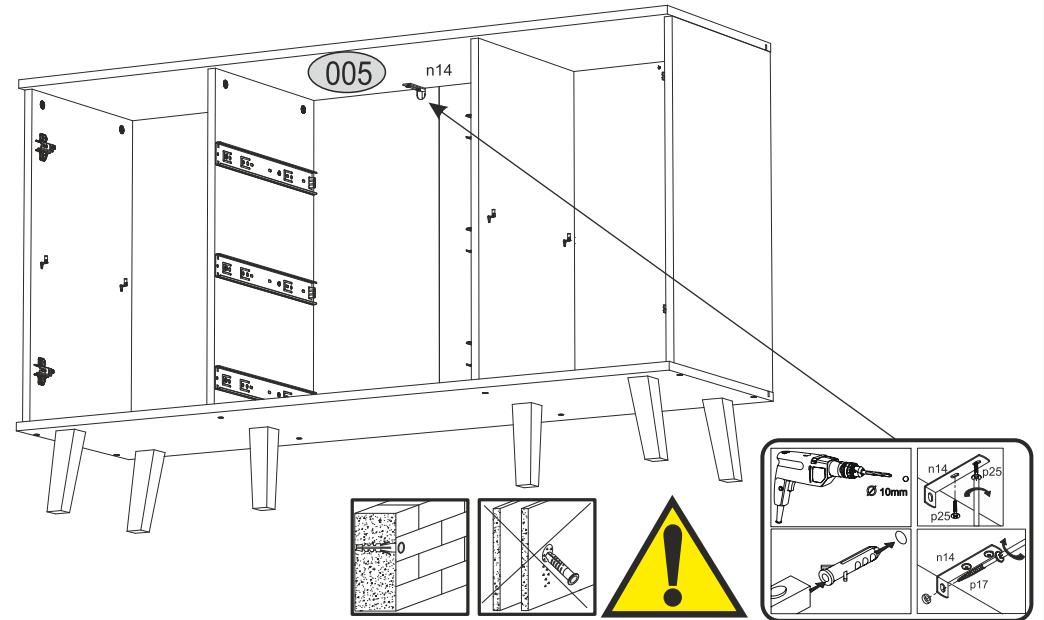
8



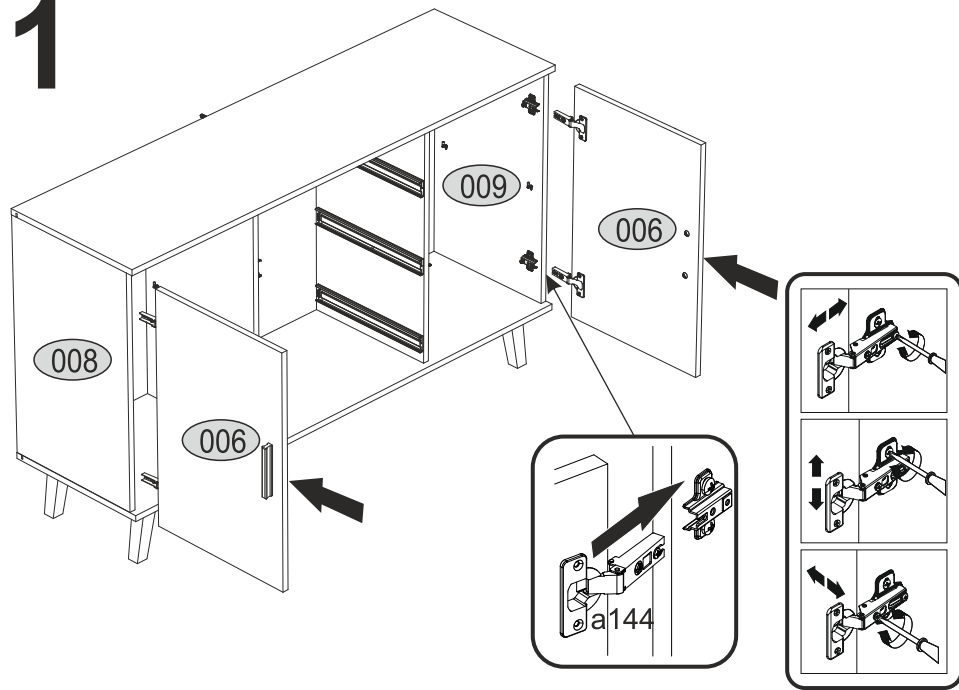
9



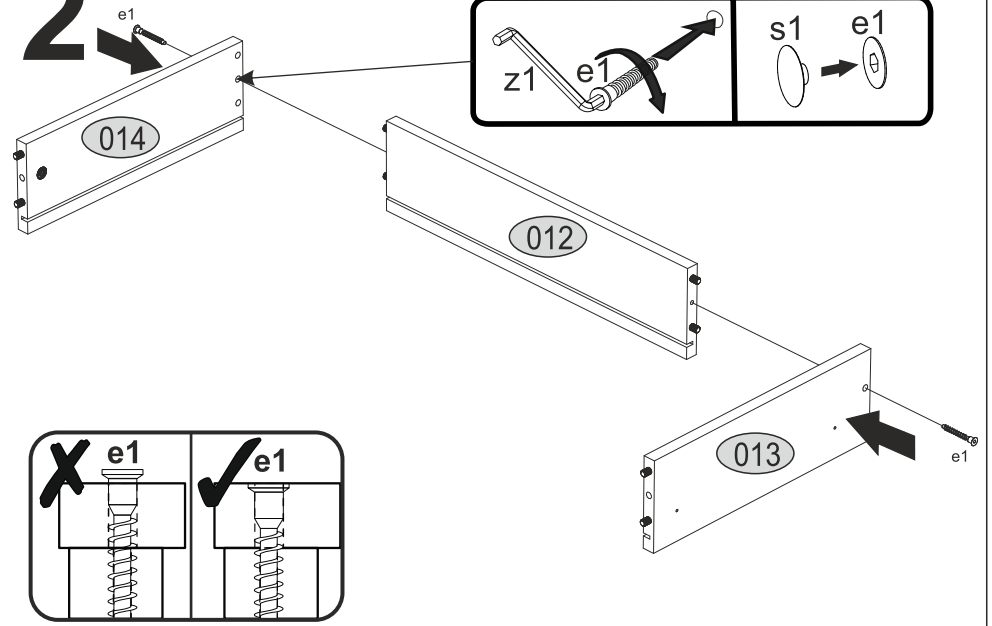
10



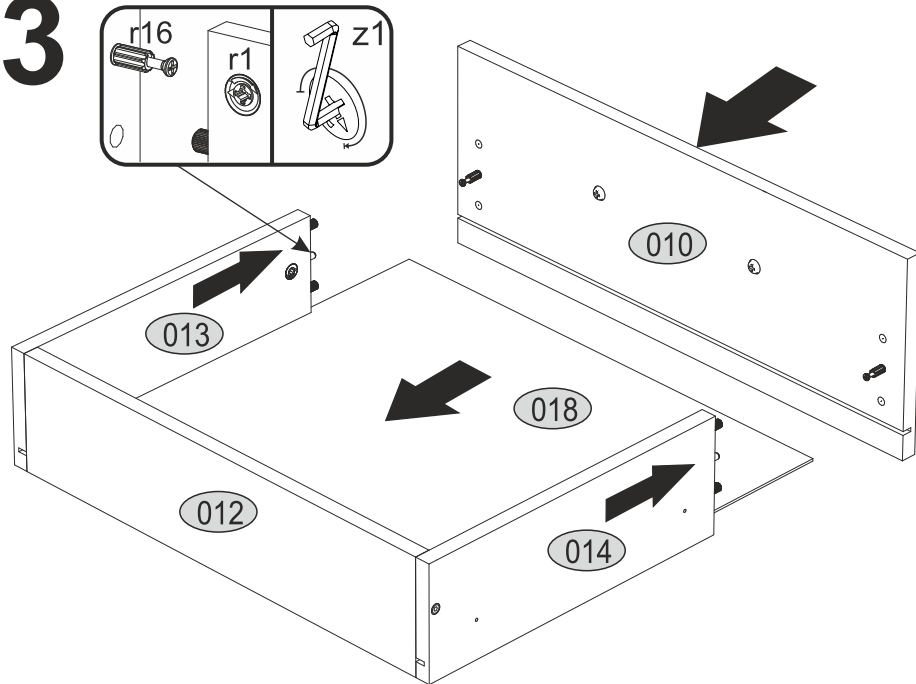
11



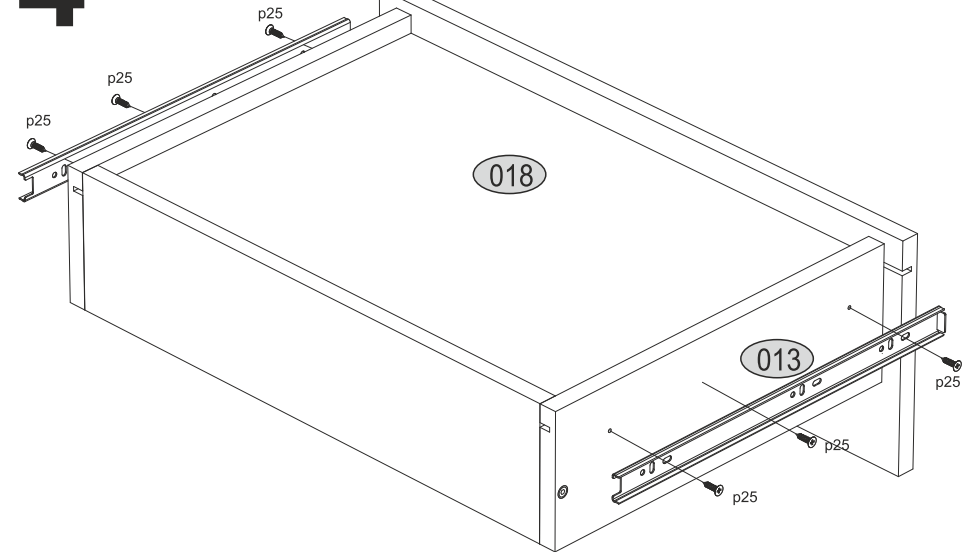
12



13



14



15

