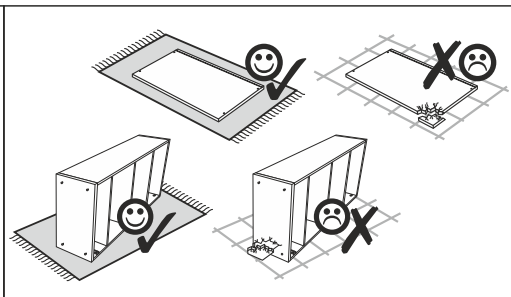
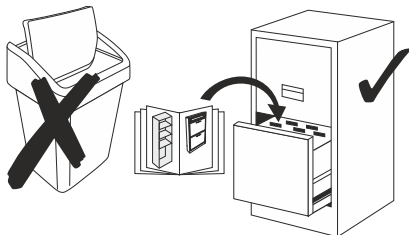
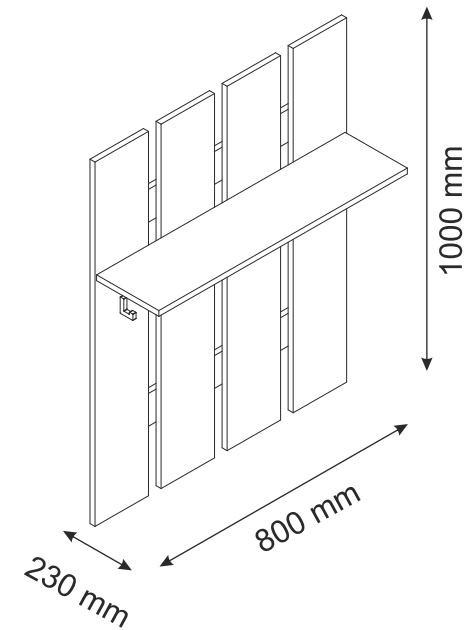
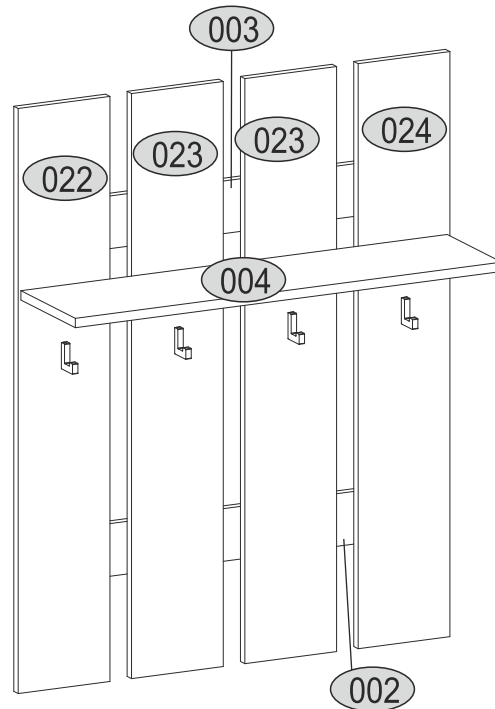
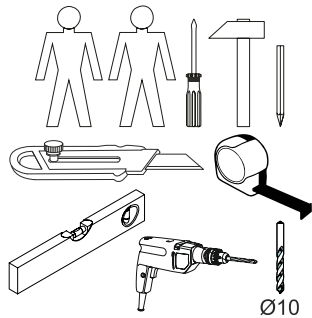
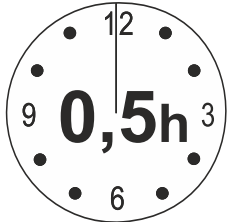









Installation manual

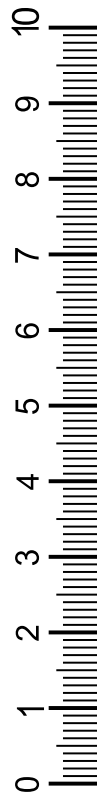
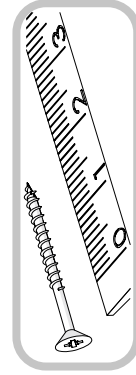
PAVI Hanger



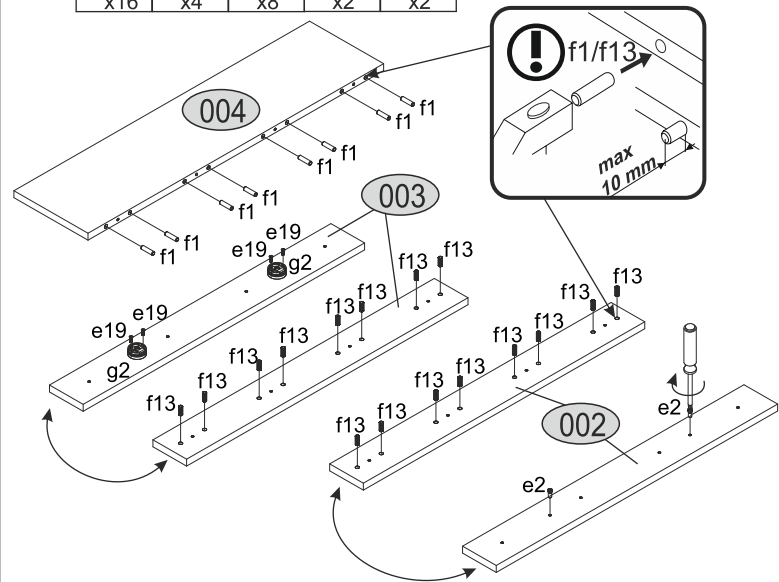
Code	Dimensions				Package
002	752	90	16	1	1/1
003	752	90	16	1	1/1
004	790	198	16	1	1/1
022	1000	170	16	1	1/1
023	1000	170	16	2	1/1
024	1000	170	16	1	1/1
accessories				1	1/1

Accessories:

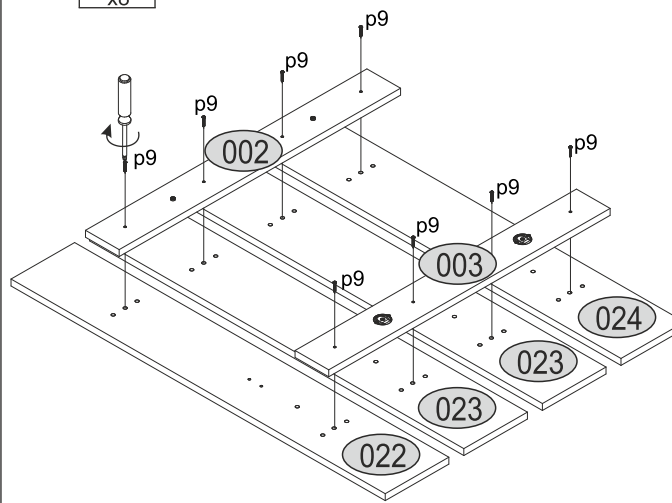
 4x e1 Ø7x50	 4x e19 Ø5x9	 2x e2 Ø6.3x13	 8x f1 Ø8x30
 16x f3 Ø8x20	 2x f3	 2x g2	 8x j8 Ø4x25
 2x p17 Ø6x50	 8x p9 Ø4x30	 4x g435.12	 1x z1



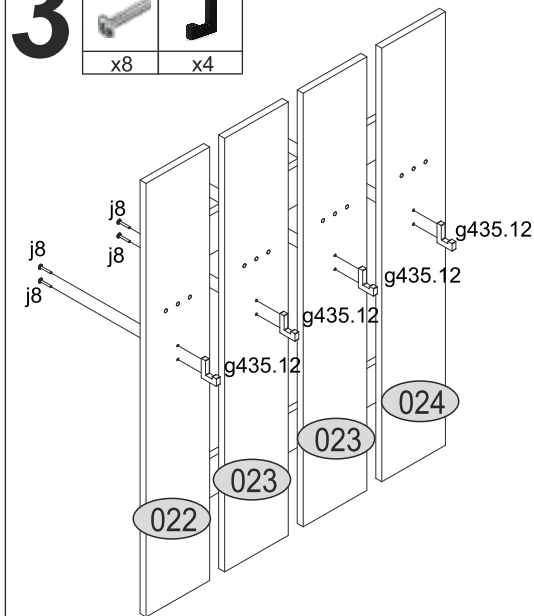
- 1**
- | | | | | |
|-----|-----|----|----|----|
| f13 | e19 | f1 | g2 | e2 |
| x16 | x4 | x8 | x2 | x2 |



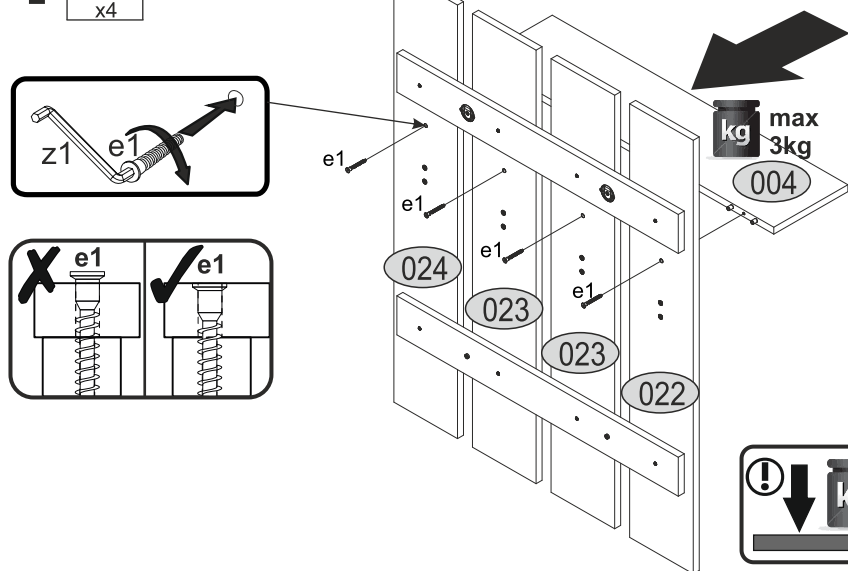
- 2**
- | |
|----|
| p9 |
| x8 |



- 3**
- | | |
|----|---------|
| j8 | g435.12 |
| x8 | x4 |



- 4**
- | |
|----|
| e1 |
| x4 |



- 5**
- | | |
|----|-----|
| f3 | p17 |
| x2 | x2 |

