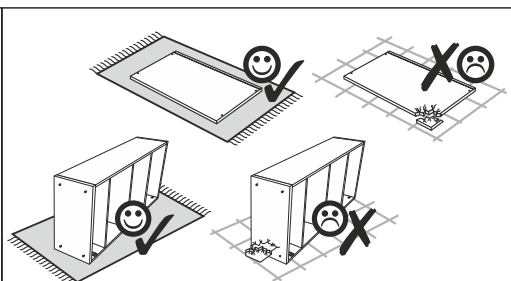
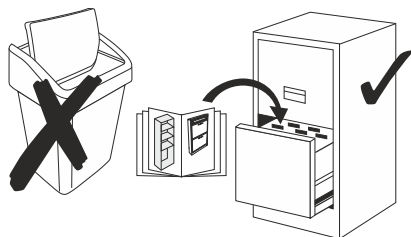
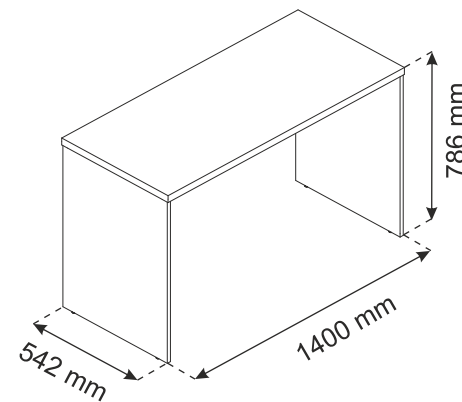
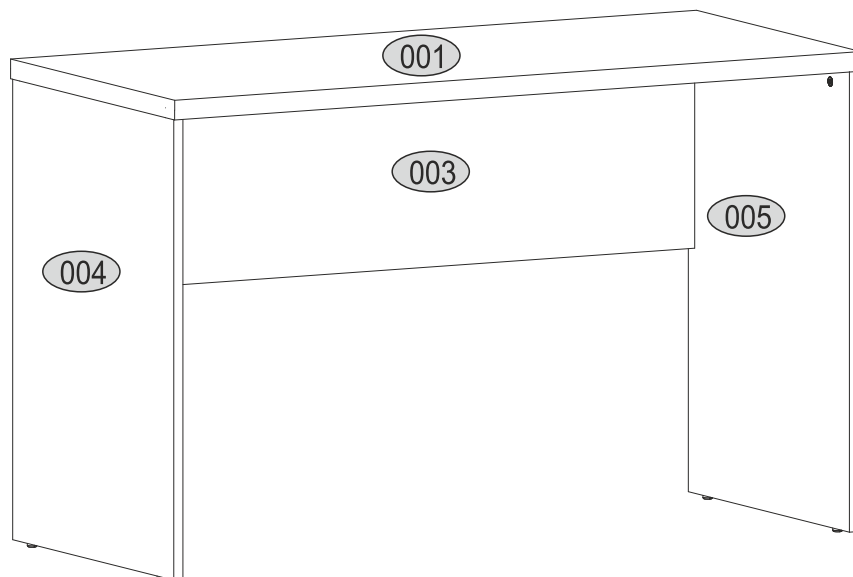
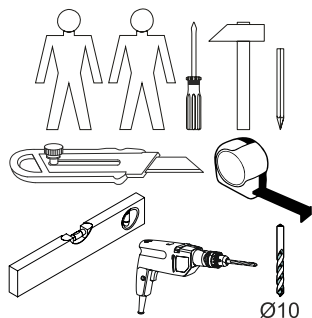
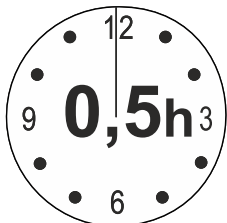




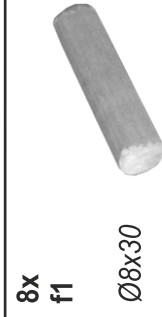
# Installation manual

## PAVI Writing desk 140



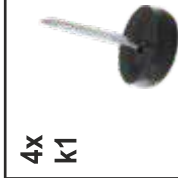
Code	Dimensions				Package
001	1400	542	16/32	1	1/1
003	1366	350	16	1	1/1
004	748	530	16	1	1/1
005	748	530	16	1	1/1
accessories				1	1/1

# Accessories:



8x  
f1

Ø8x30



4x  
k1



8x  
s2



1x  
z1



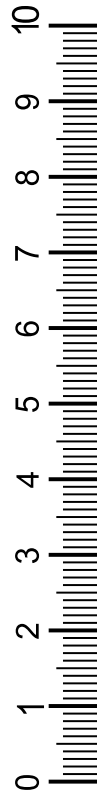
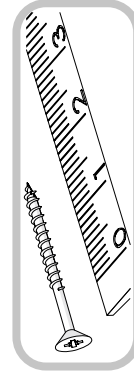
8x  
r1

15x12






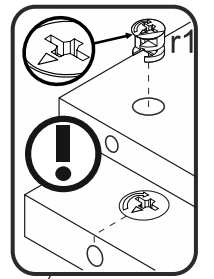
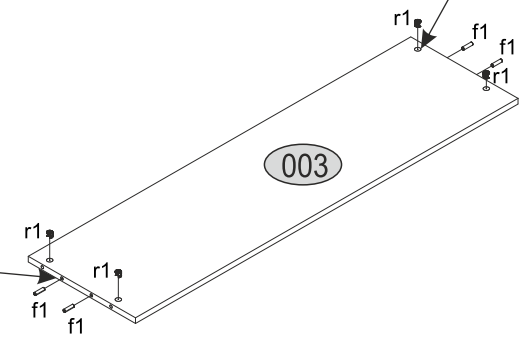
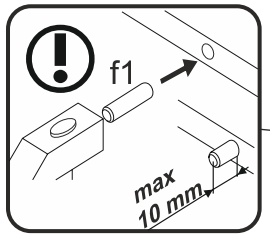
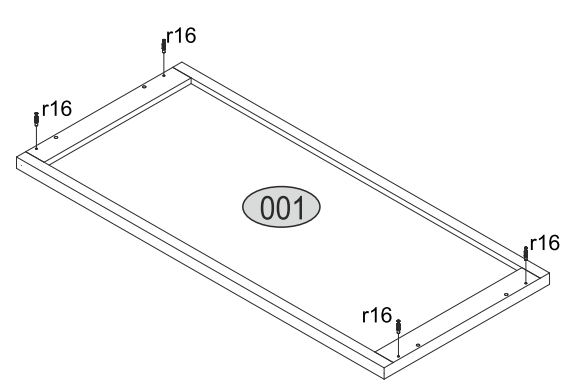
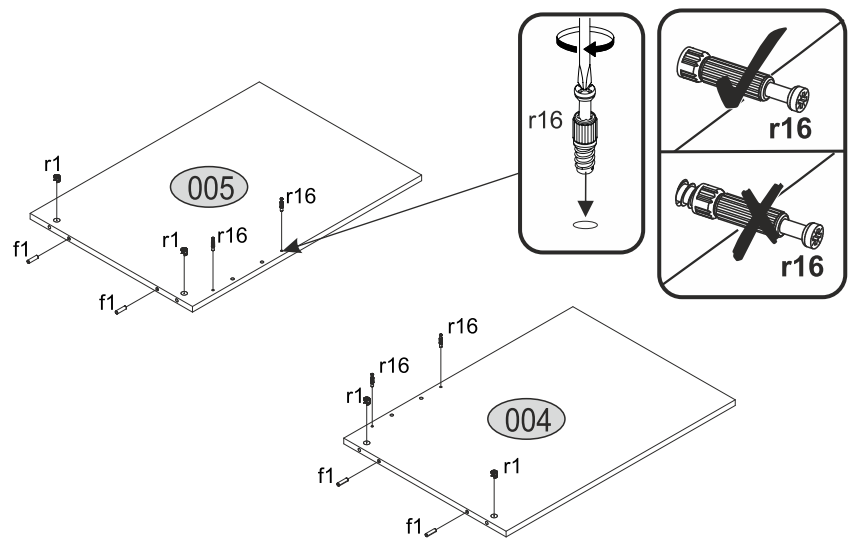
8x  
r16

Ø5x24

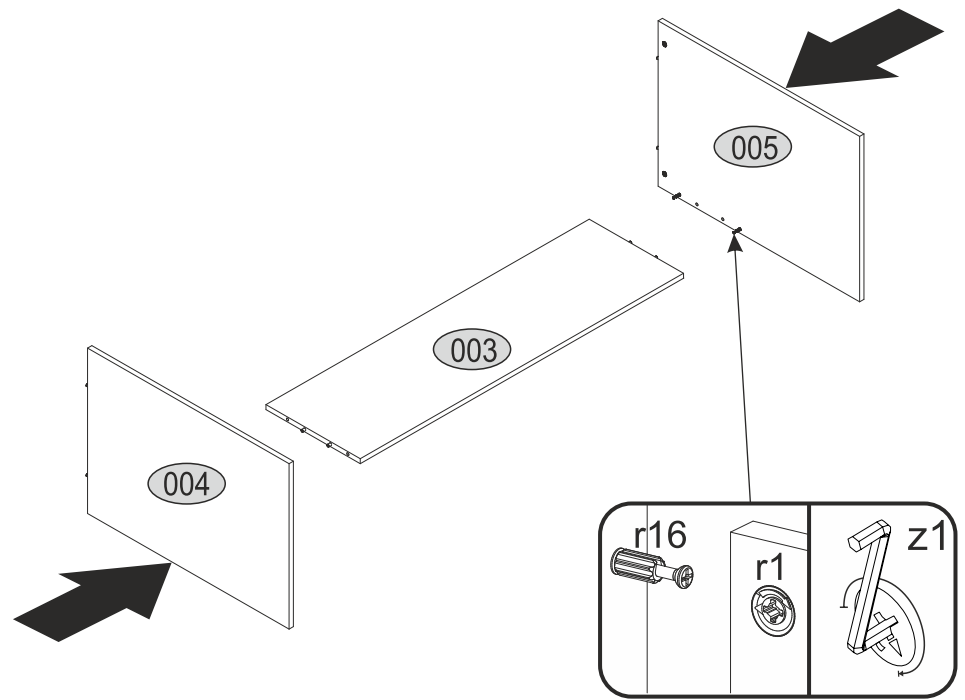


# 1



 <b>r1</b>	 <b>r16</b>	 <b>f1</b>
x8	x8	x8



# 2



# 3

 <b>s2</b>	 <b>k1</b>
x8	x4

