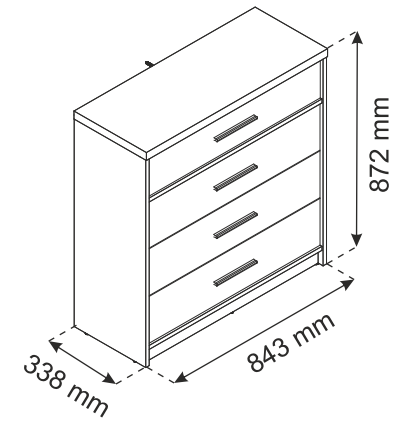
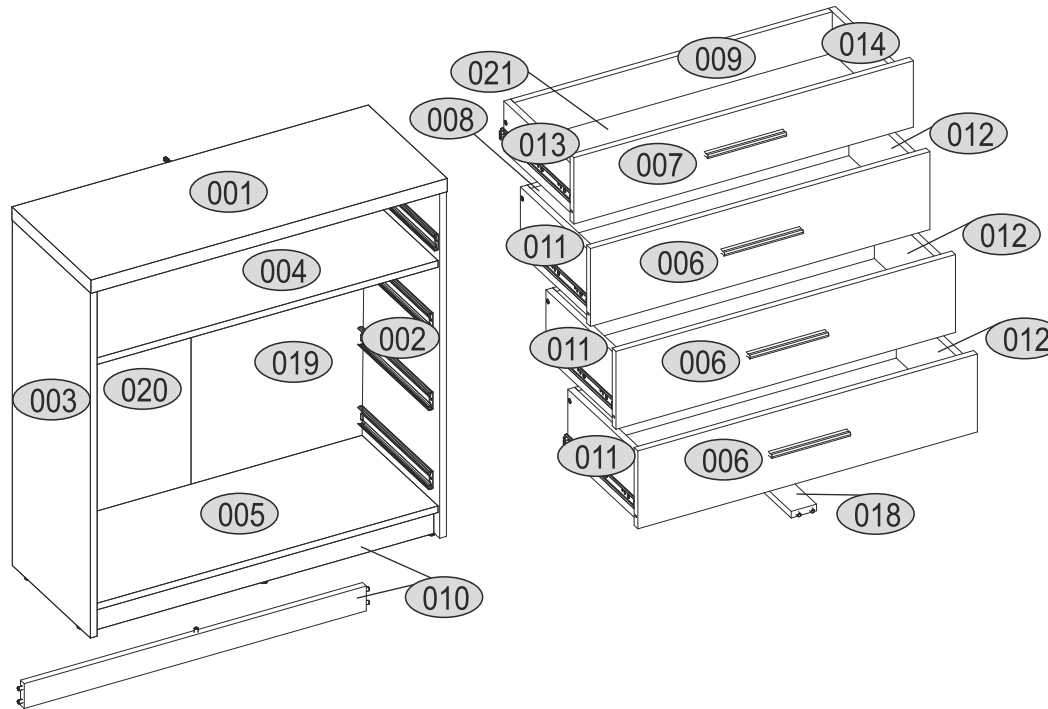
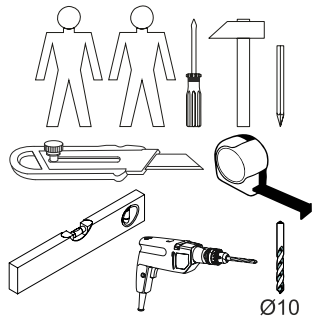
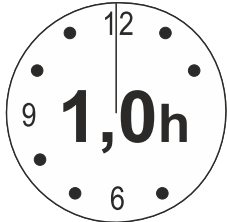
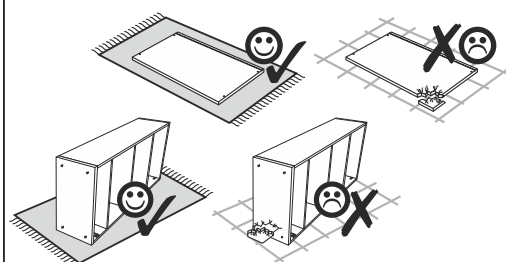
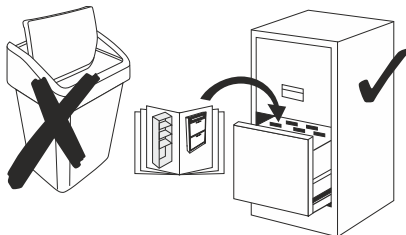


# Installation manual

## PAVI Chest 4S

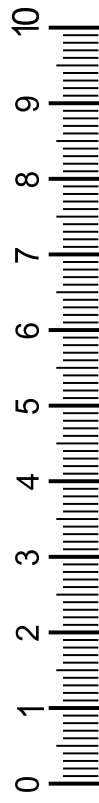
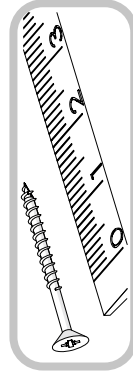


Code	Dimensions			Package	
001	843	338	16/32	1	2/2
002	834	333	16	1	2/2
003	834	333	16	1	2/2
004	809	324	16	1	1/2
005	809	324	16	1	1/2
006	803	188	16	3	1/2
007	803	160	16	1	1/2
008	752	160	16	3	1/2
009	752	120	16	1	1/2
010	809	60	16	2	1/2
011	300	160	16	3	2/2
012	300	160	16	3	2/2
013	300	120	16	1	1/2
014	300	120	16	1	1/2
018	284	60	16	4	2/2
019	798	413	2,5	1	2/2
020	798	413	2,5	1	2/2
021	302	770	2,5	4	2/2
accessories				1	1/2








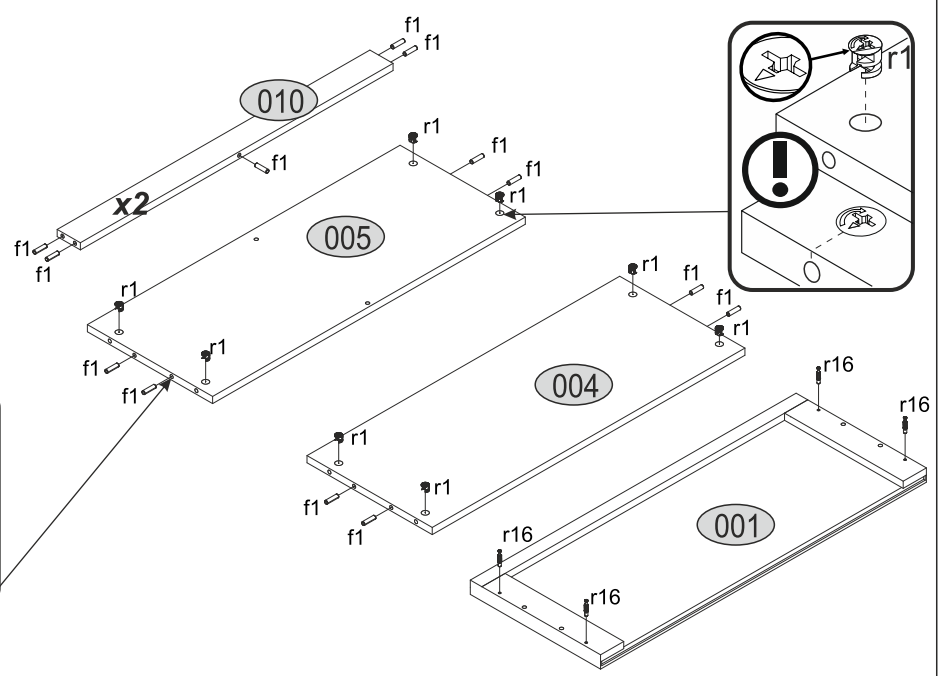
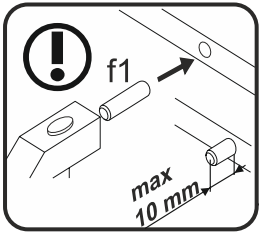
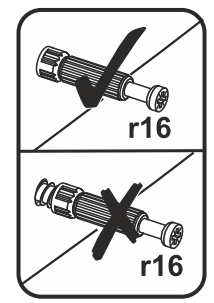
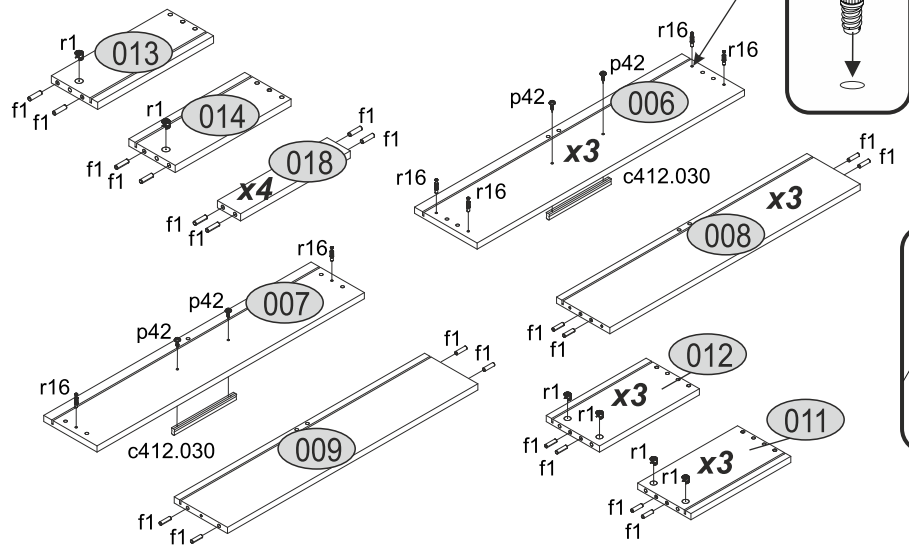
# Accessories:

<p>4x c412.030</p> 	<p>25x l1</p> 	<p>14x e1 Ø7x50</p> 	<p>70x f1 Ø8x30</p> 
<p>1x f3</p> 	<p>1x n14</p> 	<p>4x Lb-300</p> 	<p>1x p17 Ø6x50</p> 
<p>51x p25 Ø3.5x16</p> 	<p>8x p42</p> 	<p>26x r1 15x12</p> 	<p>26x r16 Ø5x24</p> 
<p>6x k1</p> 	<p>16x s2</p> 	<p>1x z1</p> 	<p>1x n260.01</p> 



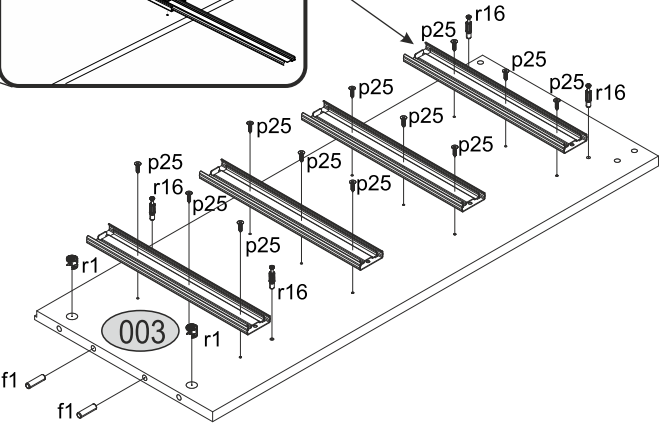
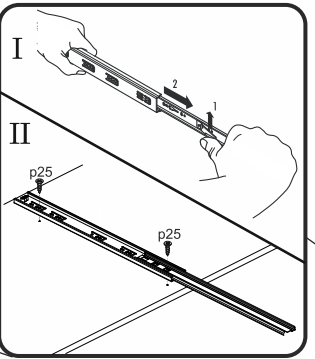
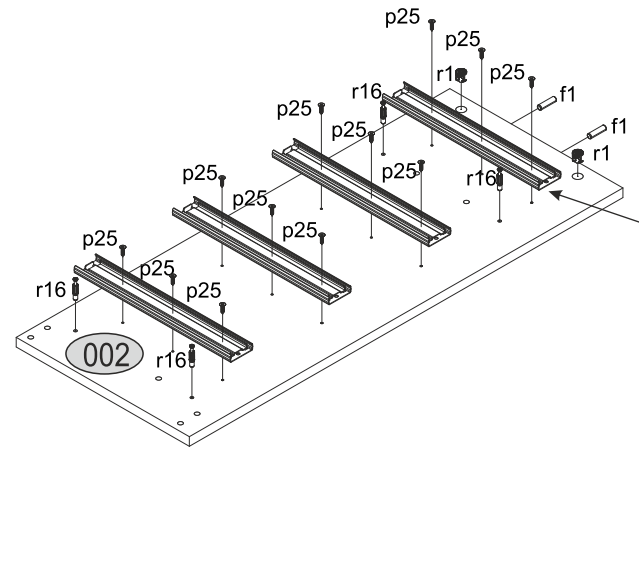
# 1

				
x22	x18	66	x8	x4

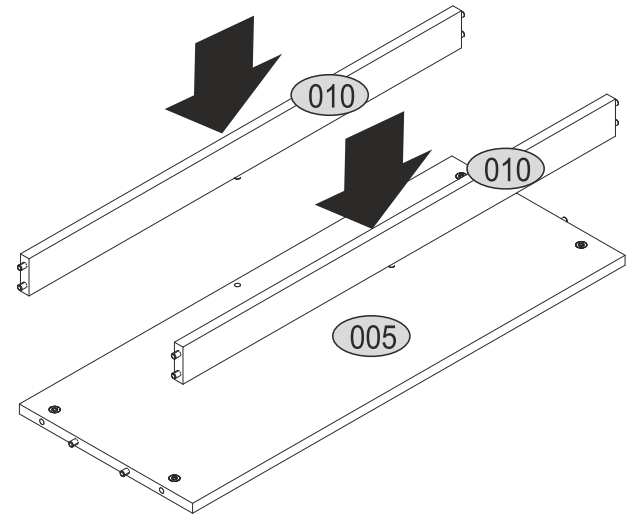


# 2

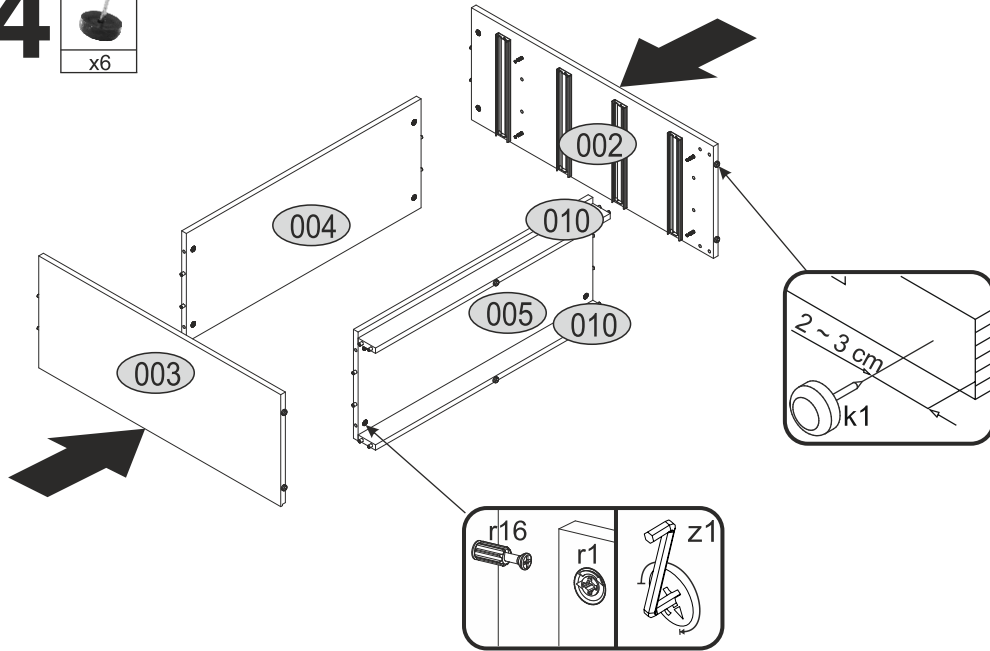
				
x24	x4	x8	x4	x4



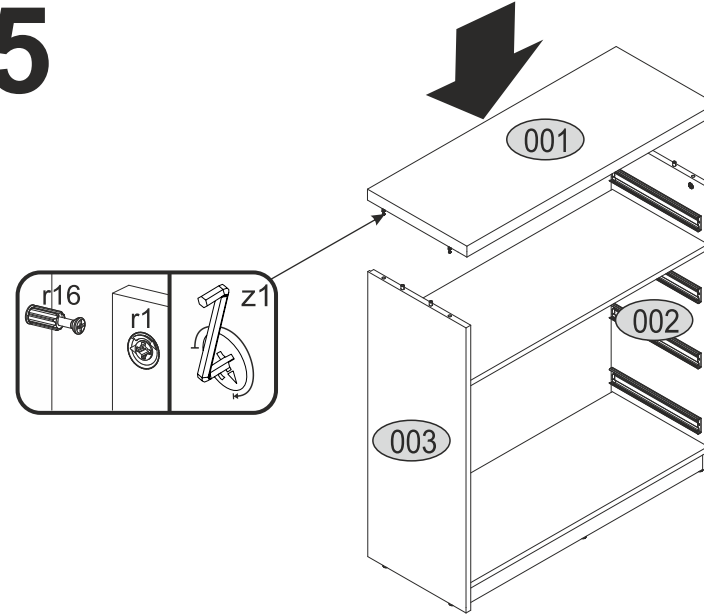
# 3



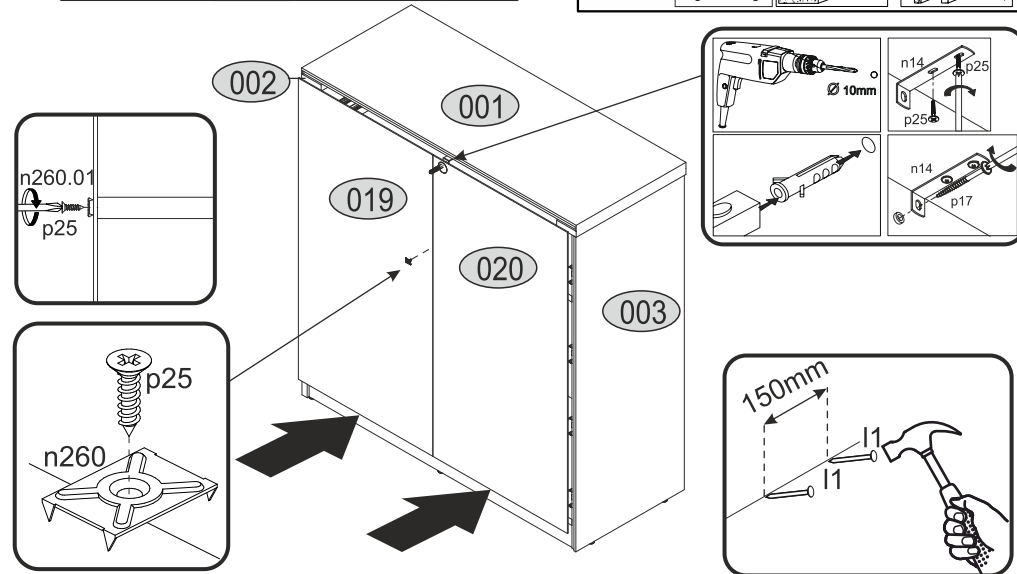
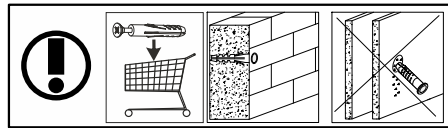
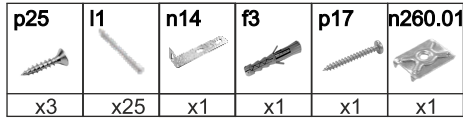
# 4



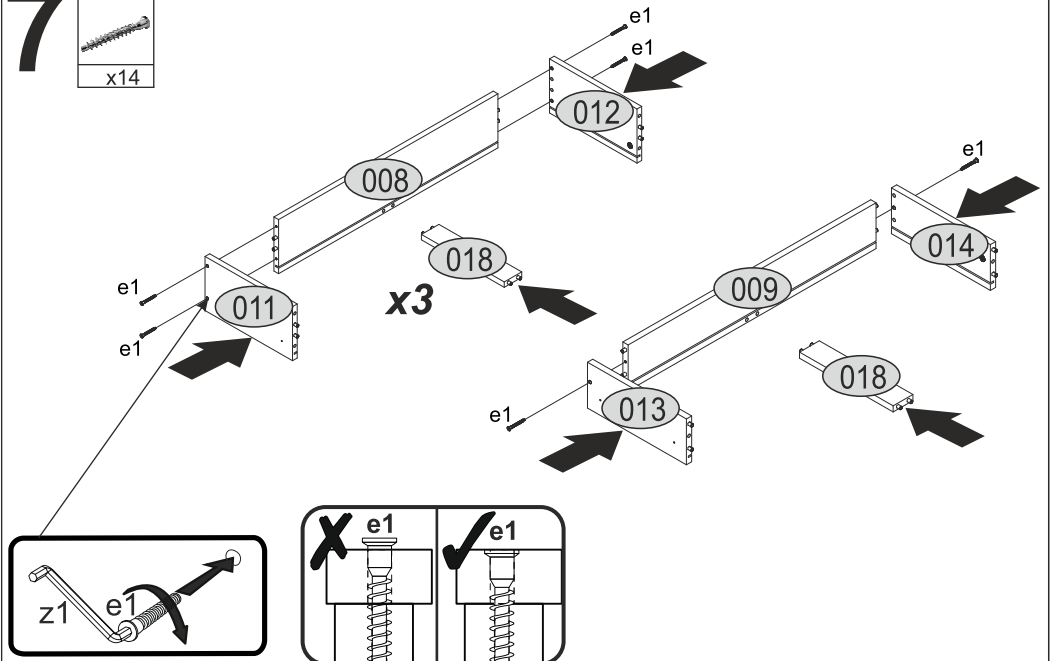
# 5



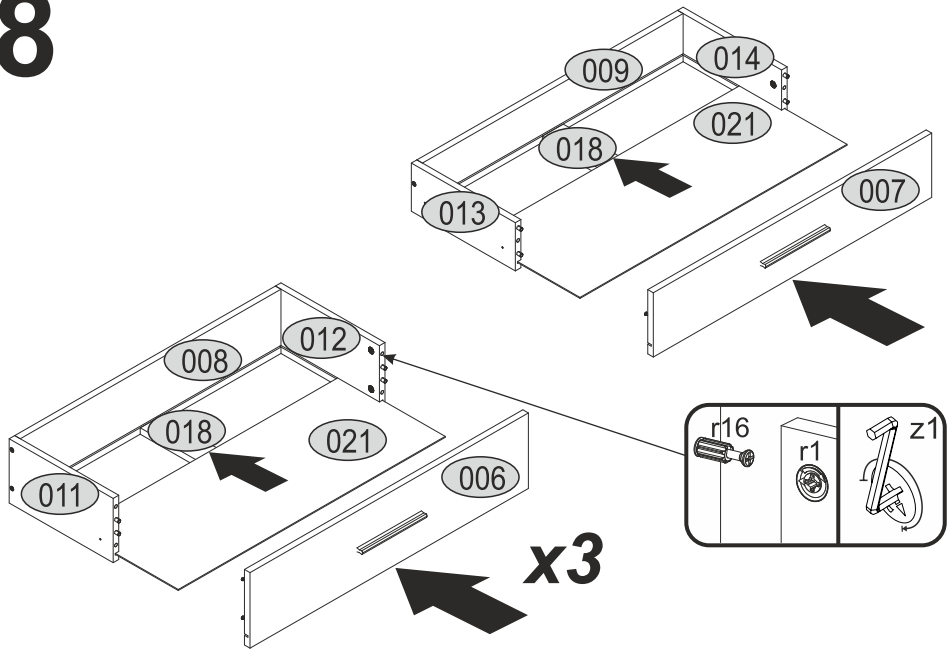
# 6



# 7

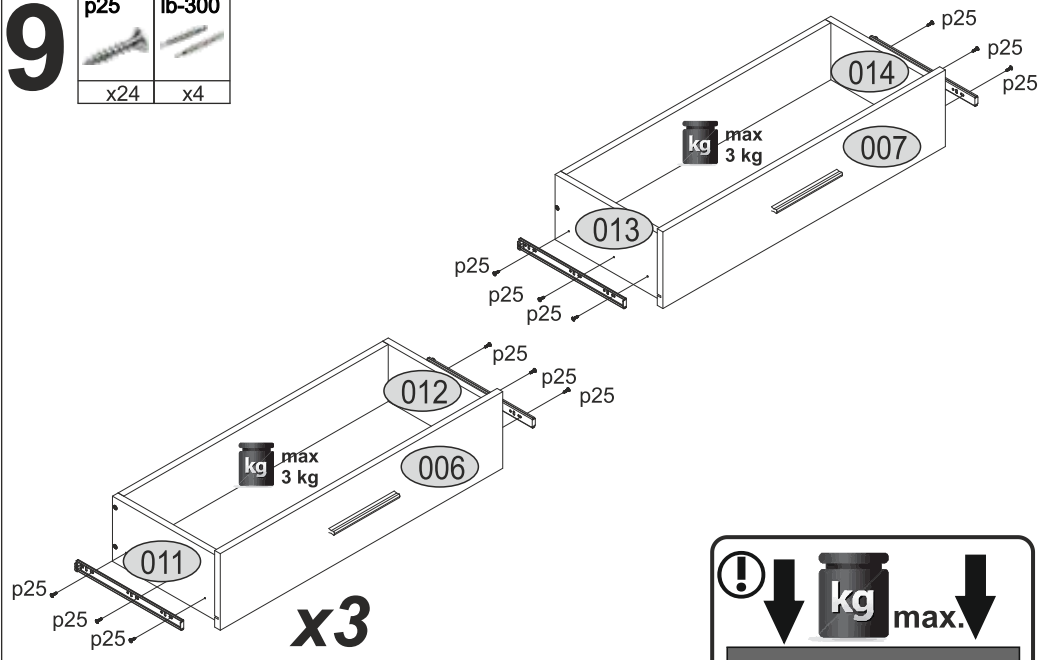


# 8



# 9

p25	lb-300
x24	x4



# 10

s2
x16

