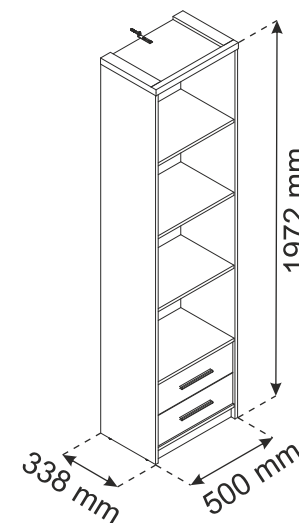
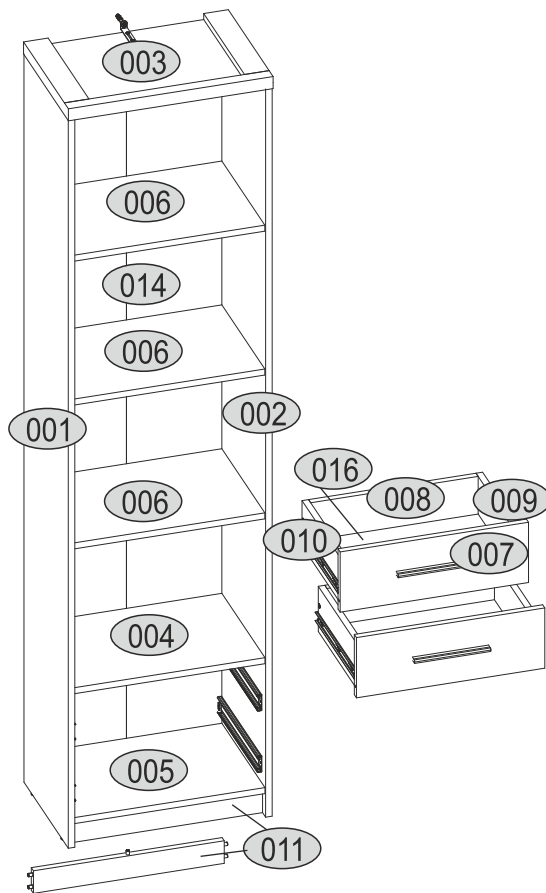
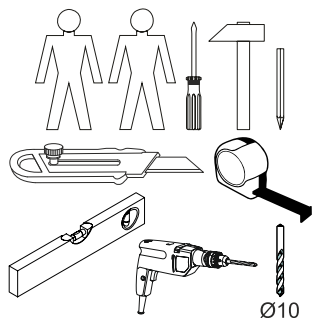
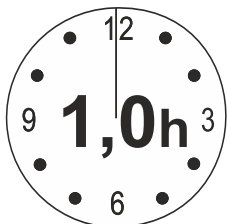


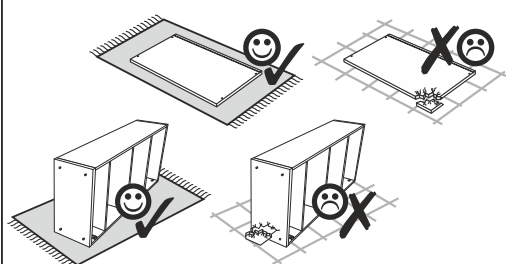
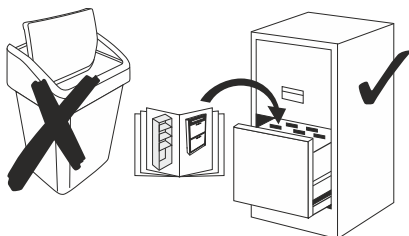


Installation manual

PAVI Open shelving 2S/50

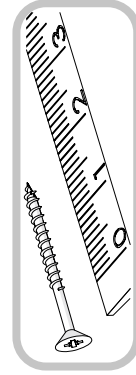


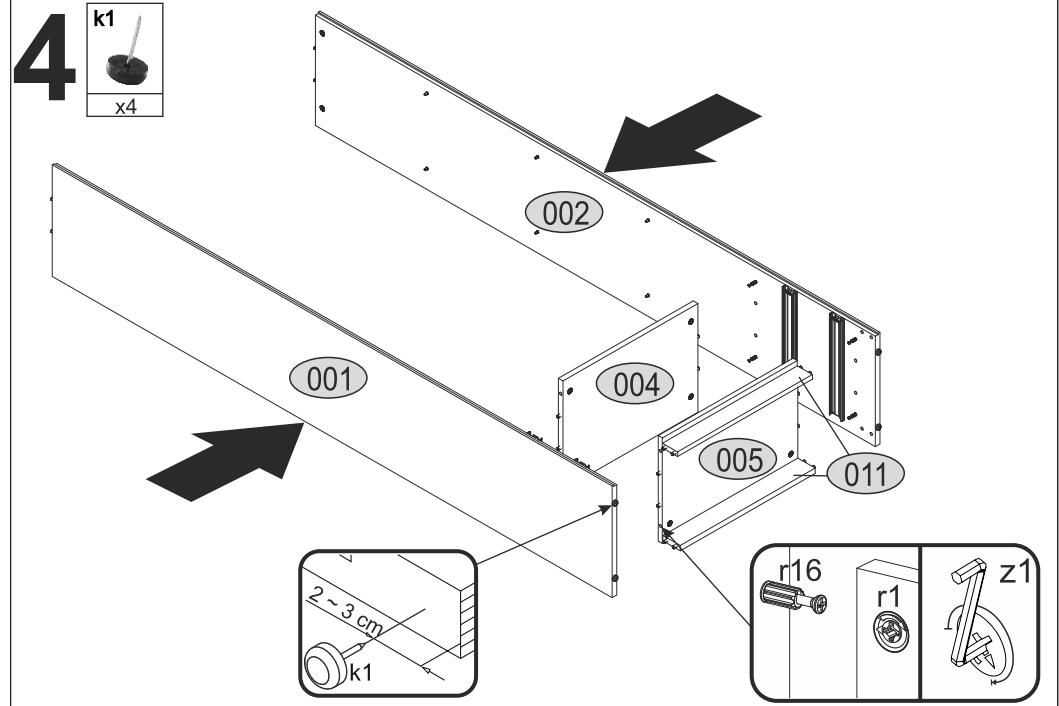
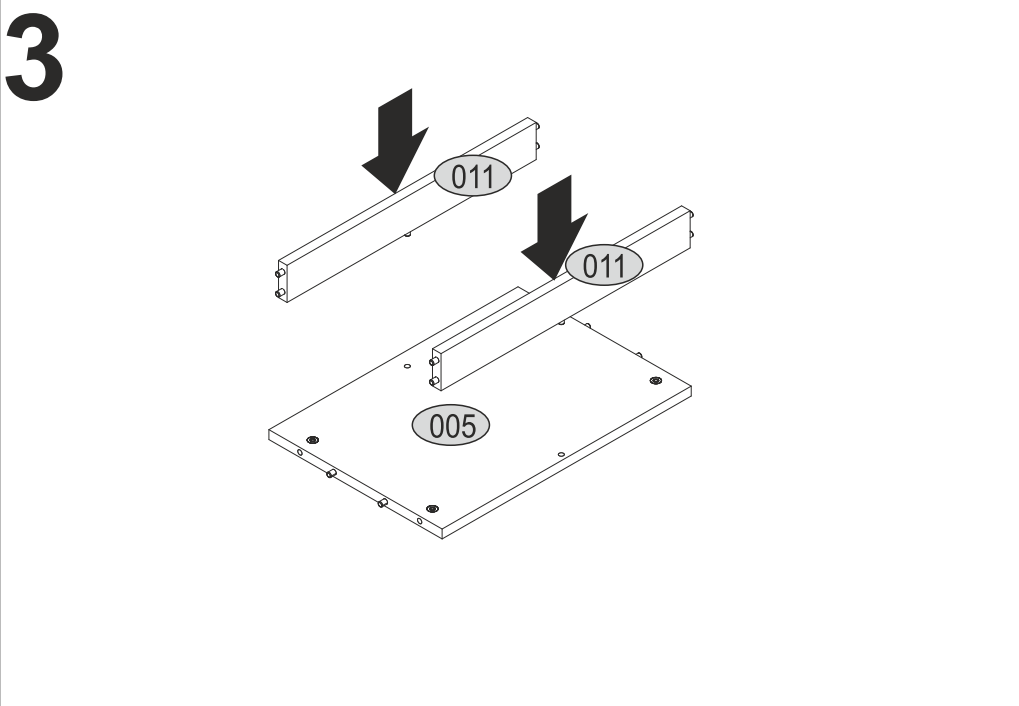
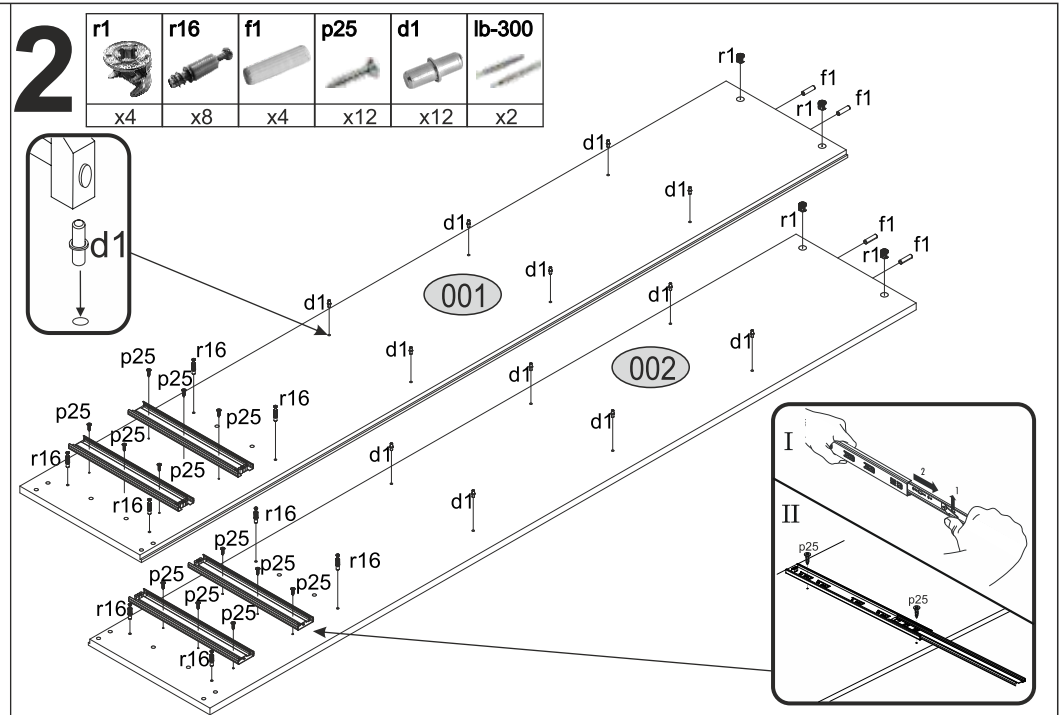
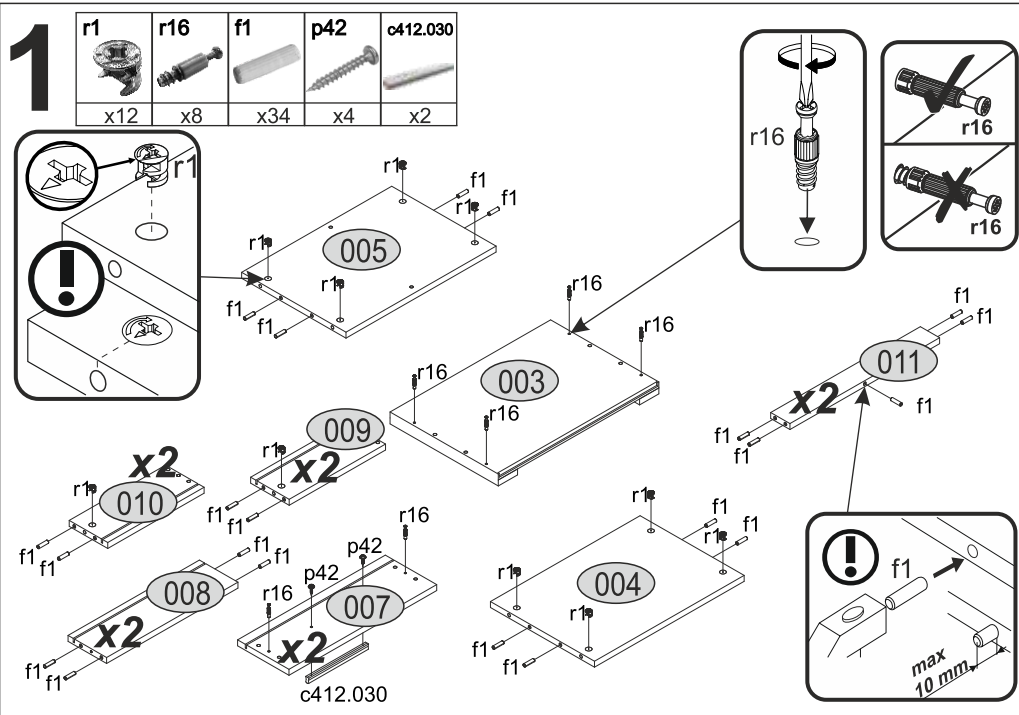
Code	Dimensions				Package
001	1934	333	16	1	1/1
002	1934	333	16	1	1/1
003	500	338	16/32	1	1/1
004	466	324	16	1	1/1
005	466	324	16	1	1/1
006	466	323	16	3	1/1
007	460	160	16	2	1/1
008	409	120	16	2	1/1
009	300	120	16	2	1/1
010	300	120	16	2	1/1
011	466	60	16	2	1/1
014	1882	484	2,5	1	1/1
016	302	427	2,5	2	1/1
accessories				1	1/1



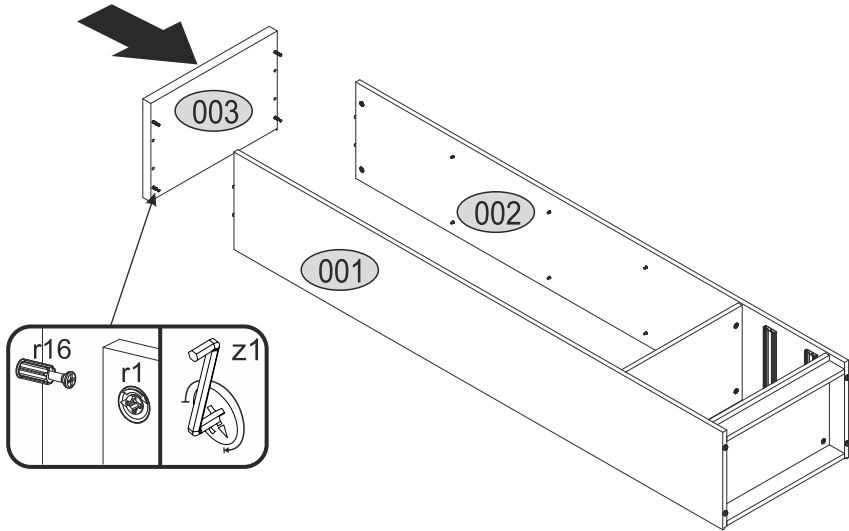
Accessories:

<p>2x c412.030</p> 	<p>12x d1</p> 	<p>4x e1</p> <p>Ø7x50</p> 	<p>38x f1</p> <p>Ø8x30</p> 
<p>1x f3</p> 	<p>4x k1</p> 	<p>1x n14</p> 	<p>1x n260.01</p> 
<p>40x l1</p> 	<p>2x Lb-300</p> 	<p>1x p17</p> <p>Ø6x50</p> 	<p>27 p25</p> <p>Ø3.5x16</p> 
<p>4x p42</p> 	<p>16x r1</p> <p>15x12</p> 	<p>16x r16</p> <p>Ø5x24</p> 	<p>8x s2</p> 
<p>1x z1</p> 			



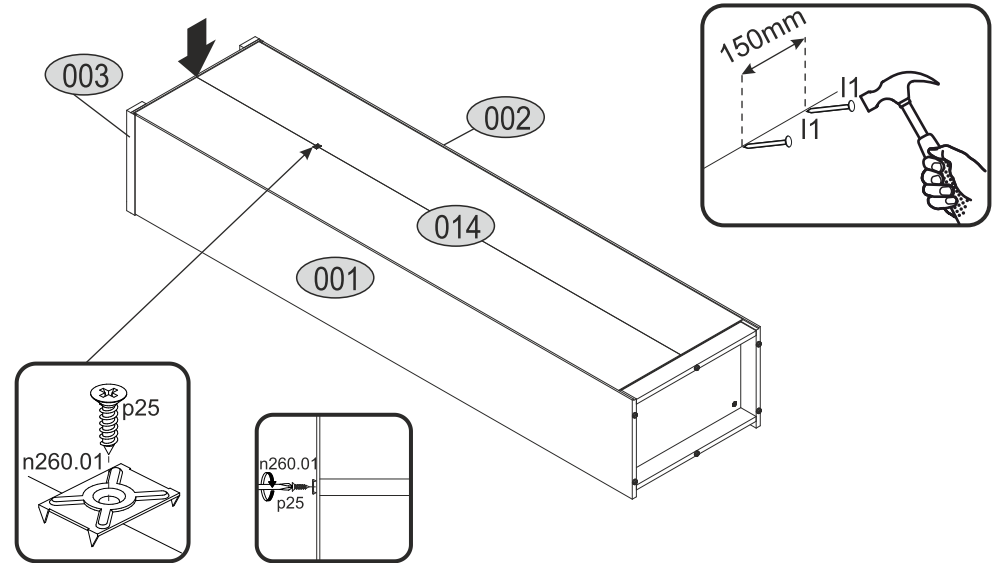


5



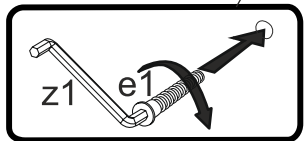
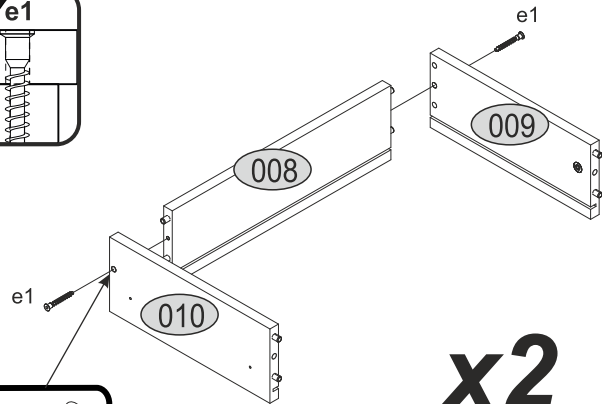
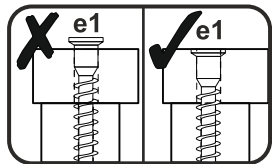
6

p25	l1	n260.01
x1	x40	x1

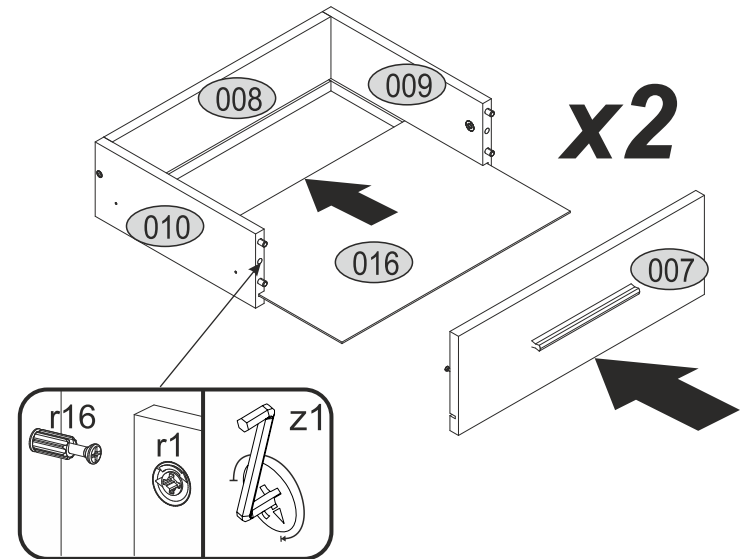


7

e1
x4

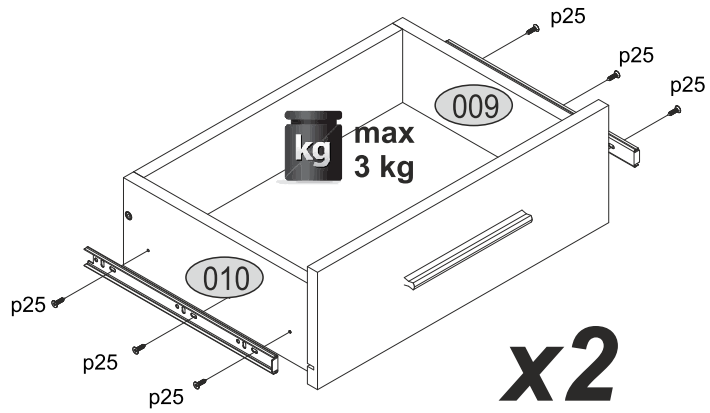


8



9

p25	lb-300
x12	x2



x2



10

s2	n14	f3	p17	p25
x8	x1	x1	x1	x2

