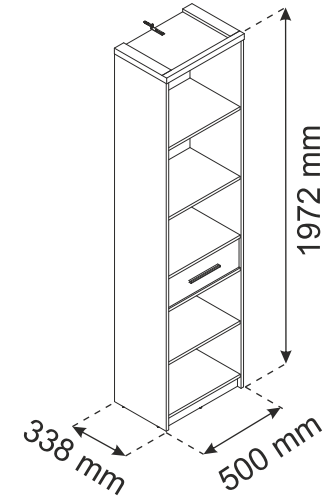
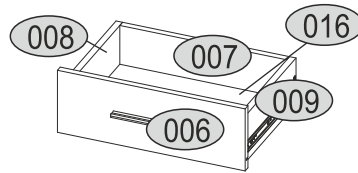
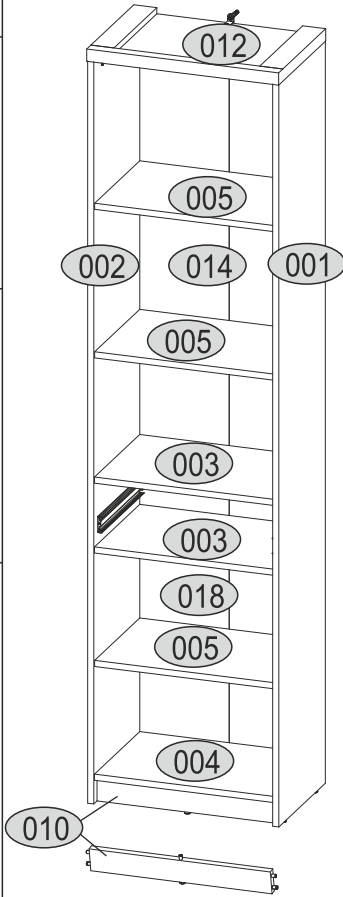
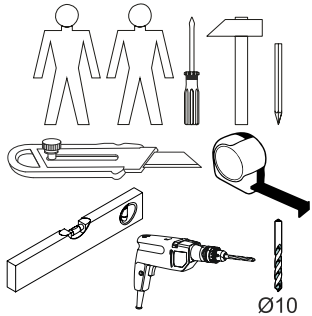
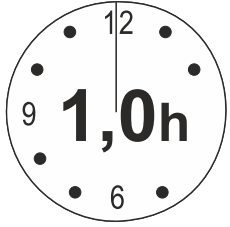
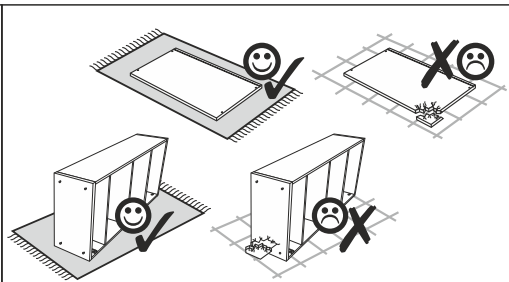
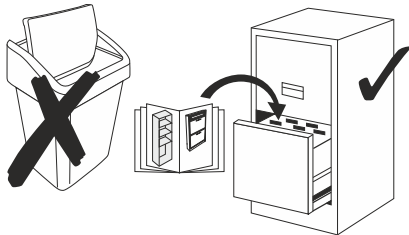


# Installation manual

## PAVI Open shelving 1S/50

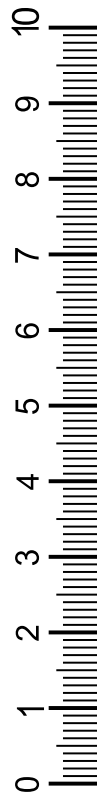
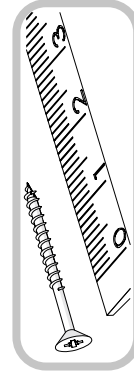


Code	Dimensions			Package	
001	1934	333	16	1	1/1
002	1934	333	16	1	1/1
003	466	324	16	2	1/1
004	466	324	16	1	1/1
005	466	323	16	3	1/1
006	460	160	16	1	1/1
007	409	120	16	1	1/1
008	300	120	16	1	1/1
009	300	120	16	1	1/1
010	466	60	16	2	1/1
012	500	338	16/32	1	1/1
014	1101	484	2,5	1	1/1
016	302	427	2,5	1	1/1
018	781	484	2,5	1	1/1
accessories				1	1/1



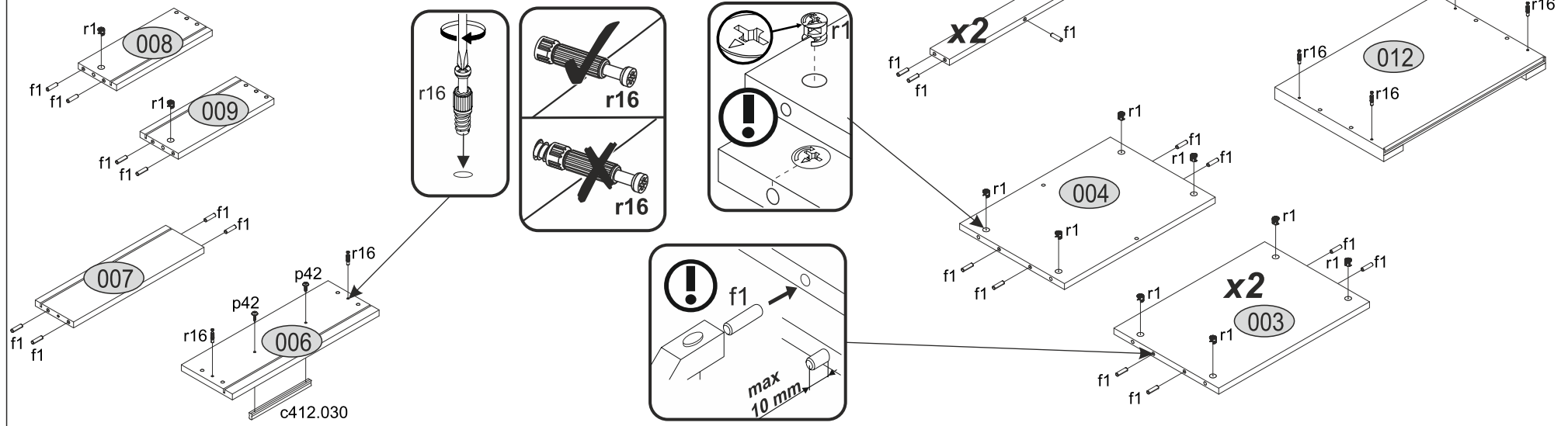
# Accessories:

1x c412.030 	12x d1 	2x e1 Ø7x50 	38x f1 Ø8x30 
1x f3 	4x k1 	1x n14 	2x n260.01 
40x l1 	1x Lb-300 	1x p17 Ø6x50 	16x p25 Ø3.5x16 
2x p42 	18x r1 15x12 	18x r16 Ø5x24 	10x s2 
1x z1 			



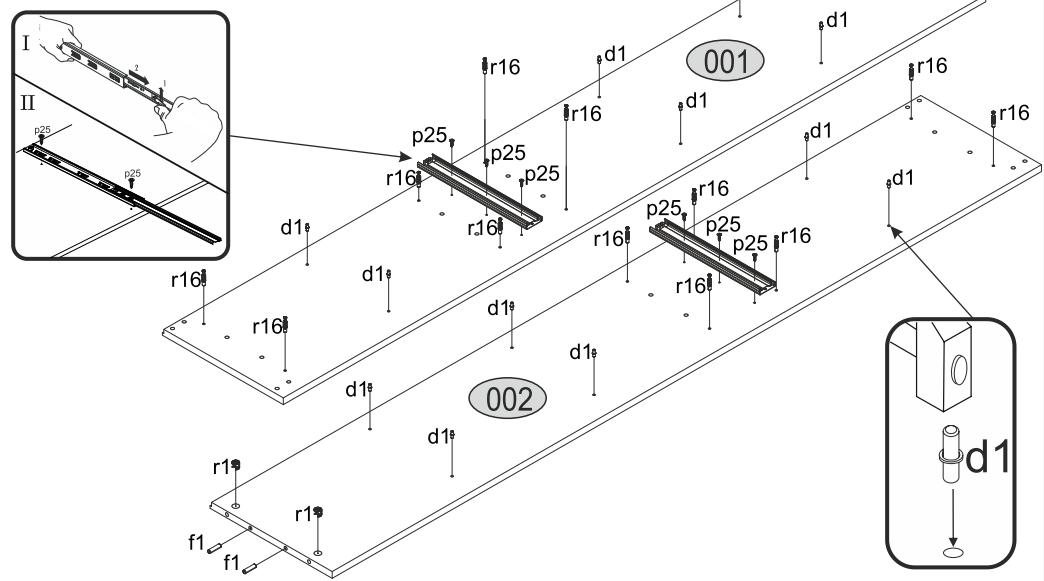
# 1

<b>r1</b> 	<b>r16</b> 	<b>f1</b> 	<b>p42</b> 	<b>c412.030</b> 
x14	x6	x30	x2	x1

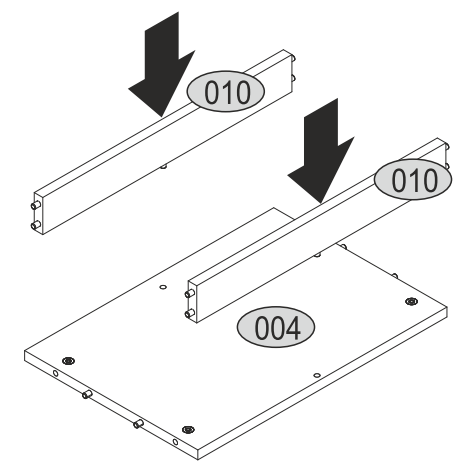


# 2

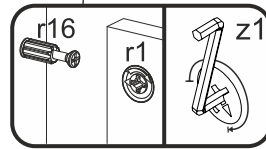
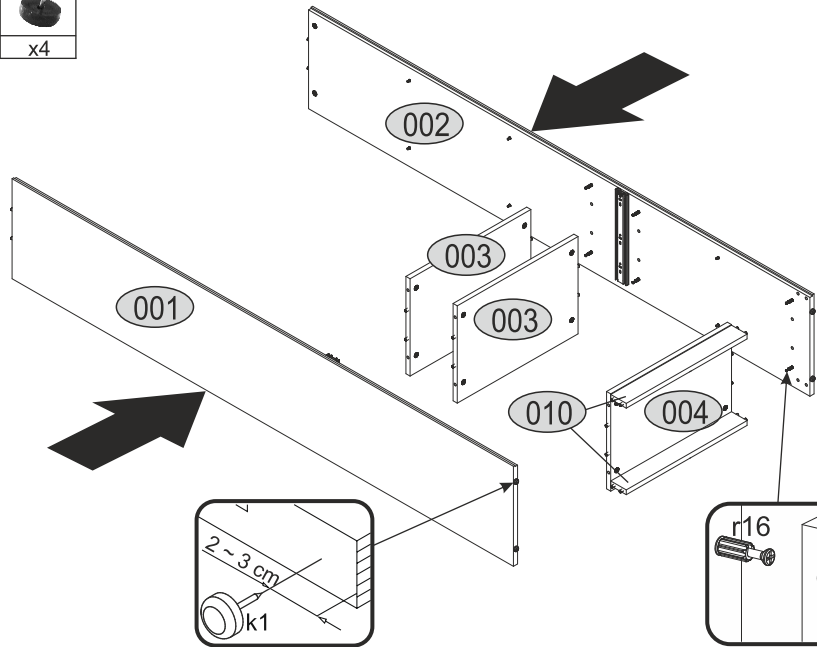
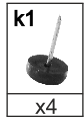
<b>r1</b> 	<b>r16</b> 	<b>f1</b> 	<b>p25</b> 	<b>d1</b> 	<b>lb-300</b> 
x4	x12	x4	x6	x12	x1



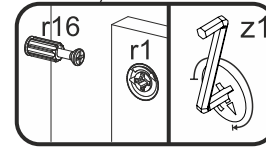
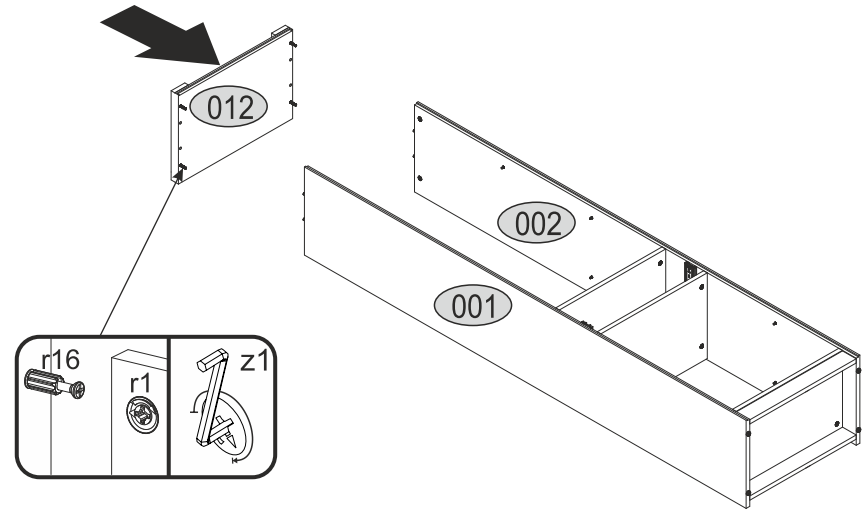
# 3



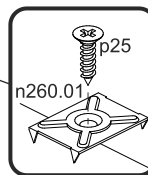
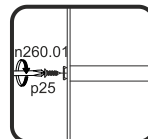
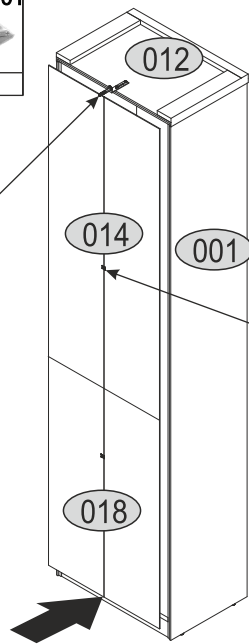
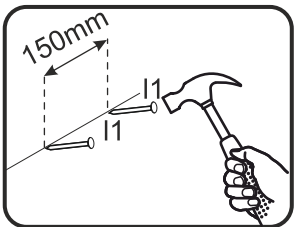
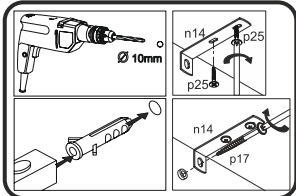
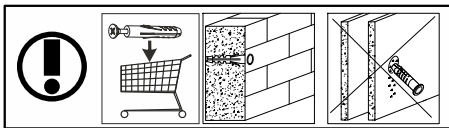
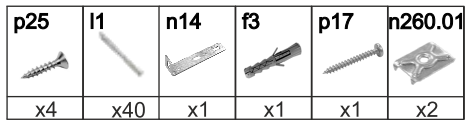
# 4



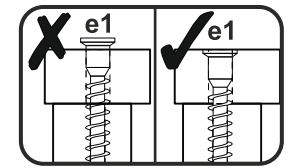
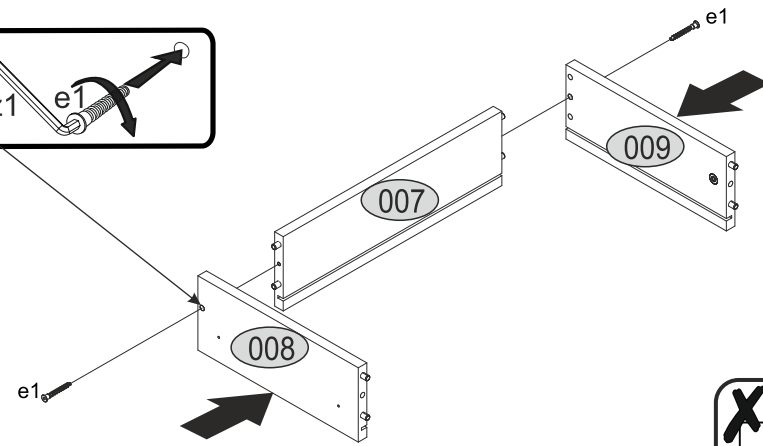
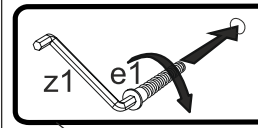
# 5



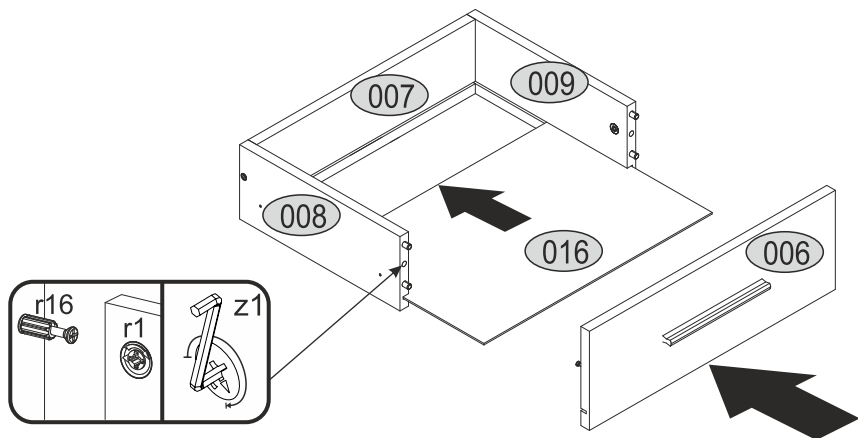
# 6



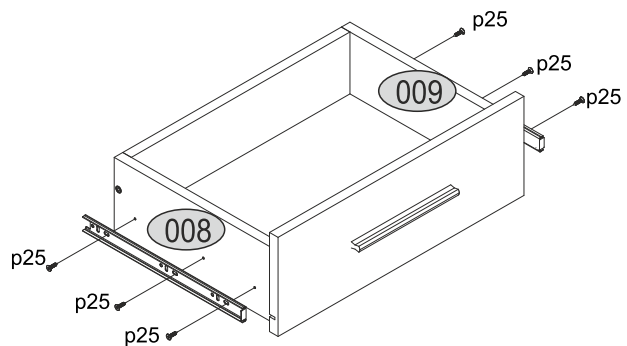
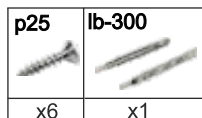
# 7



# 8



# 9



# 10

