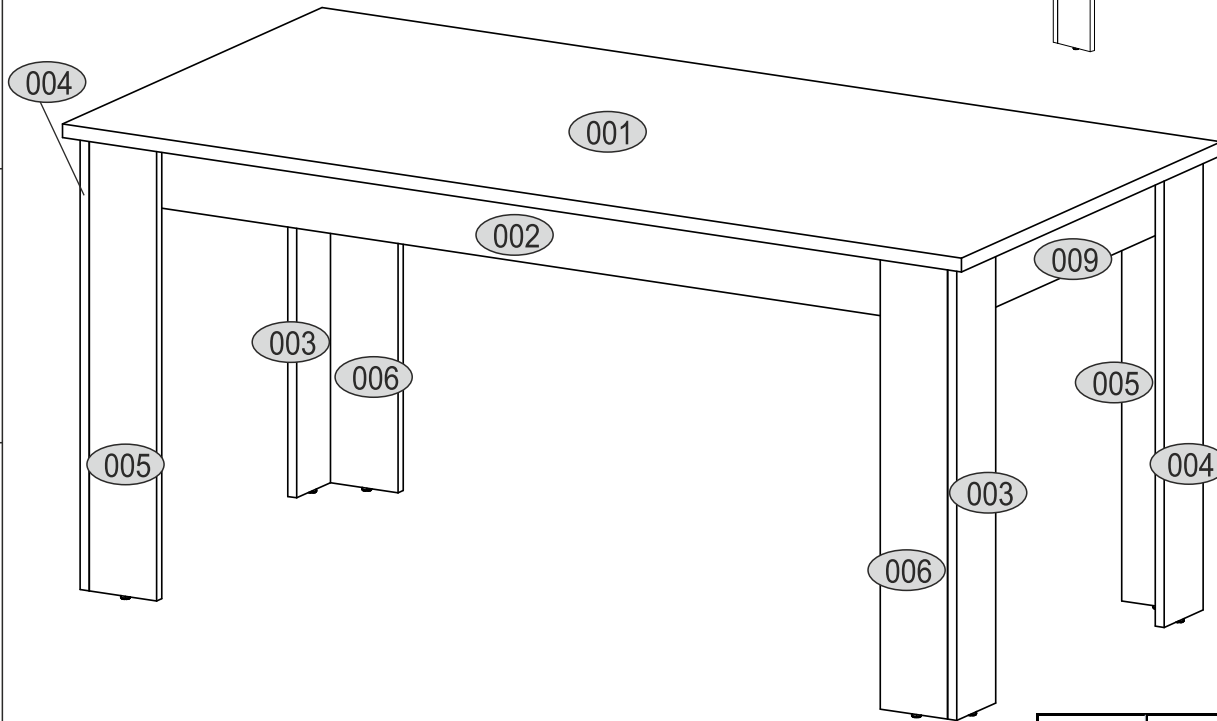
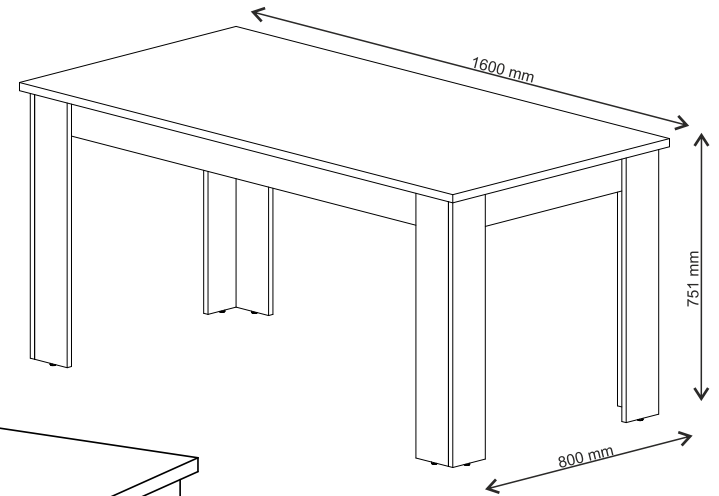
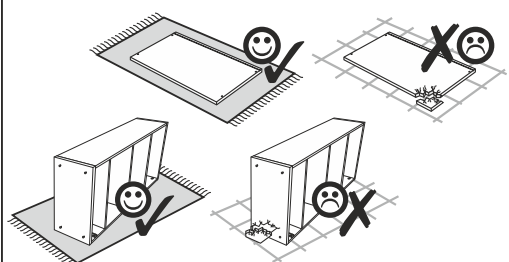
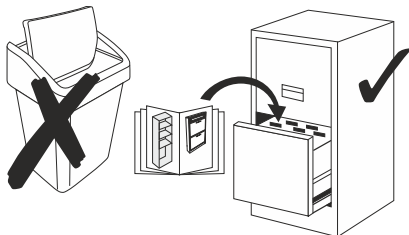
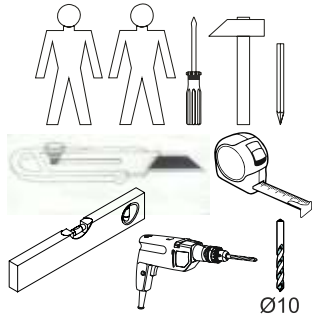




# Installation manual

## Ayson: Table 160



Code	Dimensions			Package	
001	1600	800	22	1	1/1
002	1528	100	16	2	1/1
003	723	120	16	2	1/1
004	723	120	16	2	1/1
006	723	120	16	2	1/1
005	723	120	16	2	1/1
009	696	100	16	1	1/1
accessories				1	1/1

**x30**  
**r1**



Ø 15x12mm

**x30**  
**r16**



**x12**  
**s2**



**x32**

**f1**

Ø 8x30mm



**x32**  
**p21**

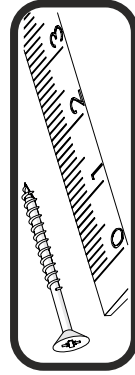


Ø 4x30mm

**x8**  
**k1**

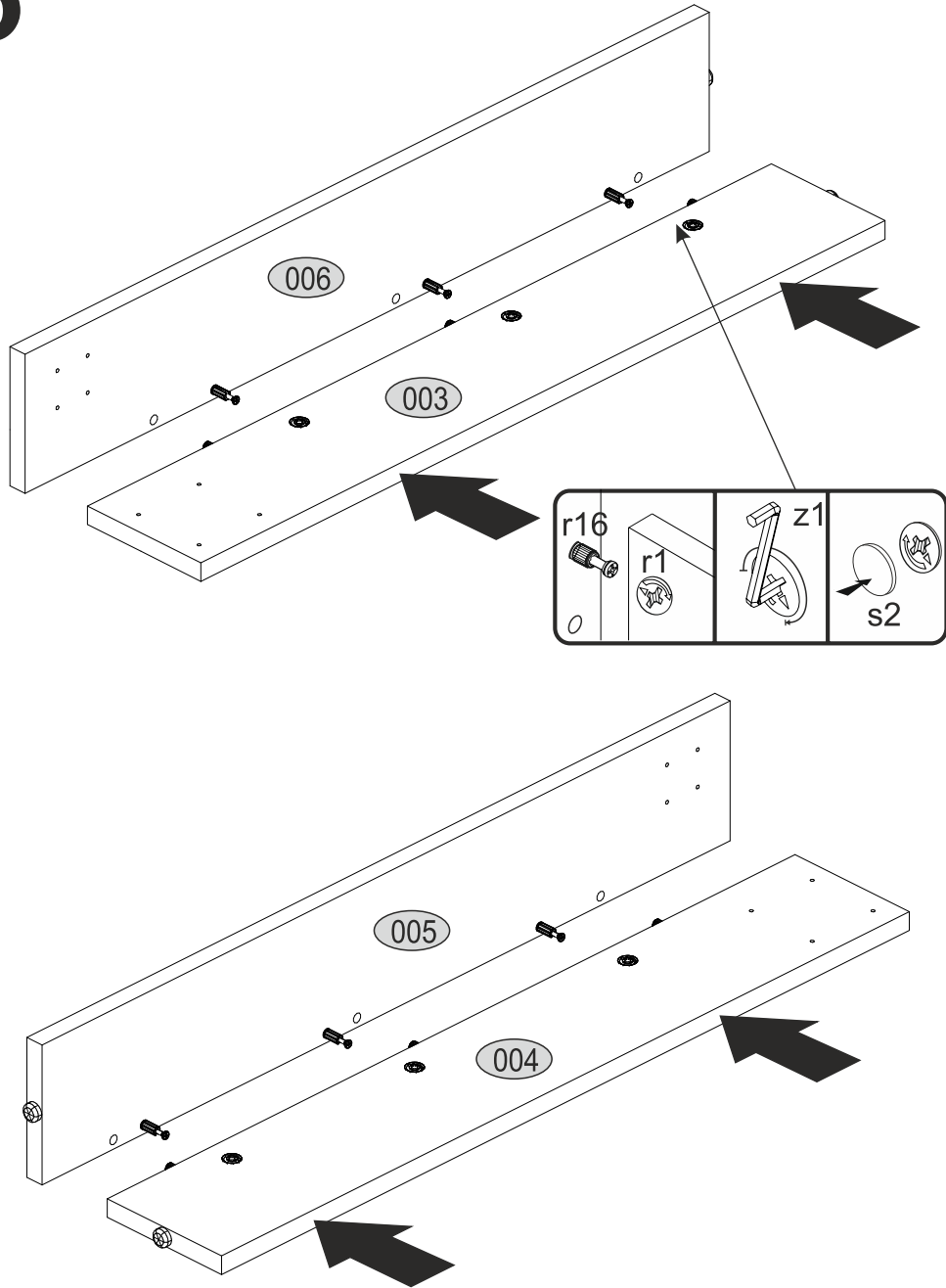


**x1**  
**z1**





# 5



# 6

