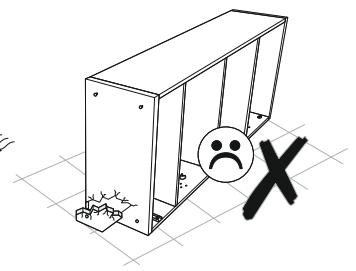
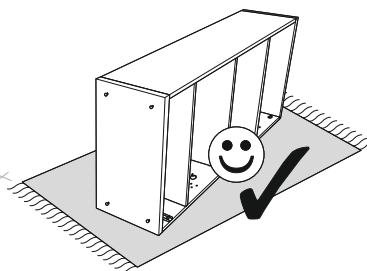
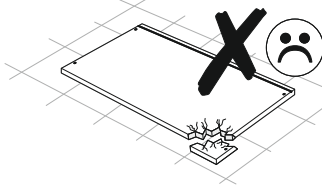
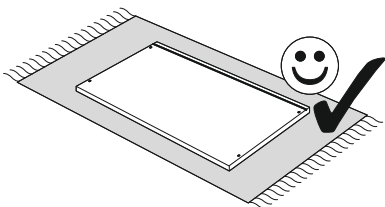
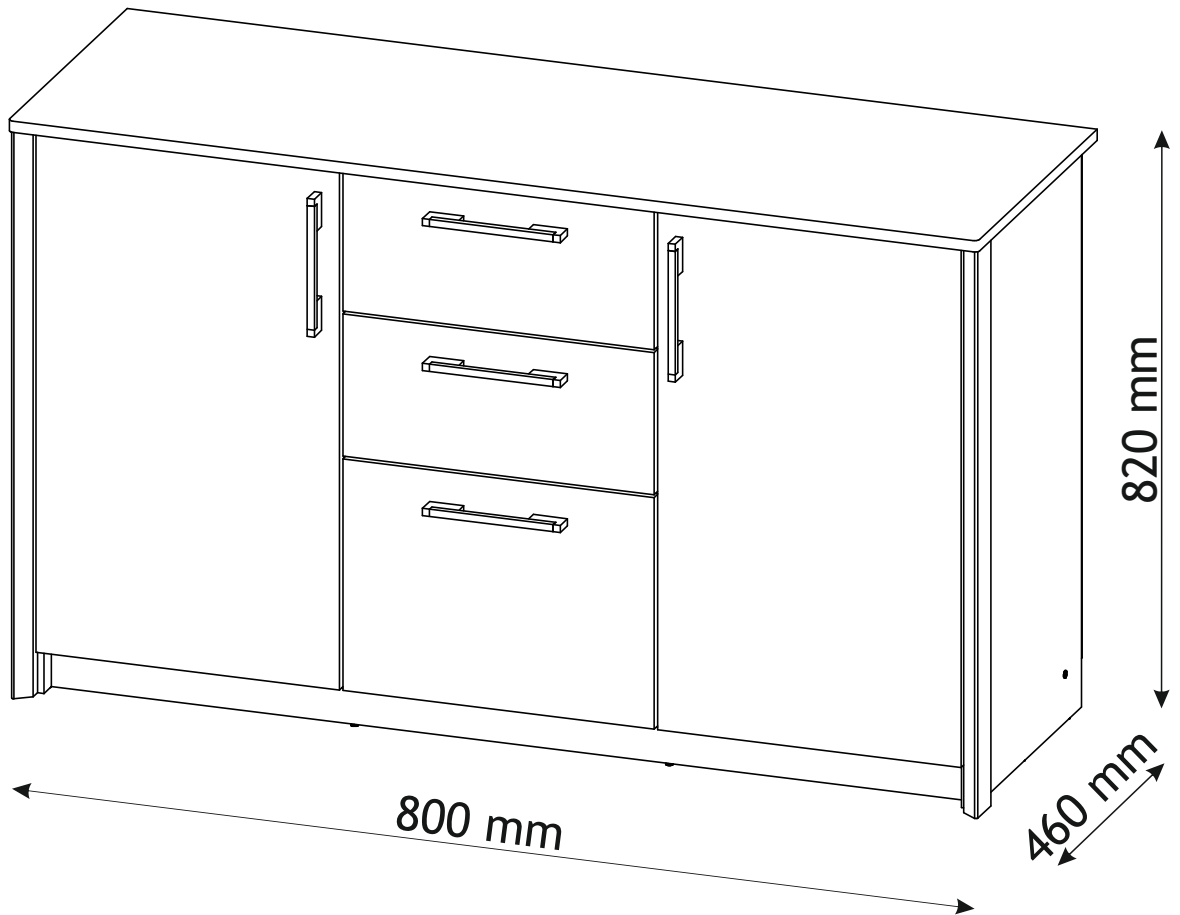
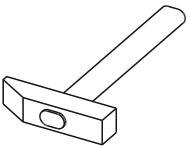
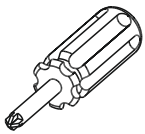
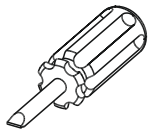
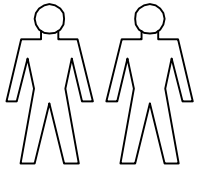
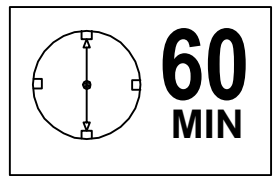

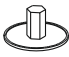
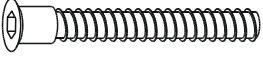



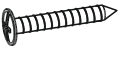

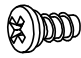
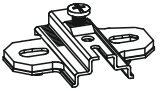
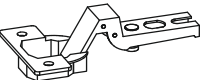
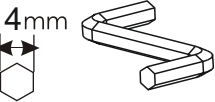

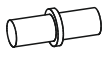
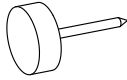
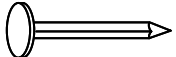
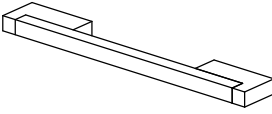

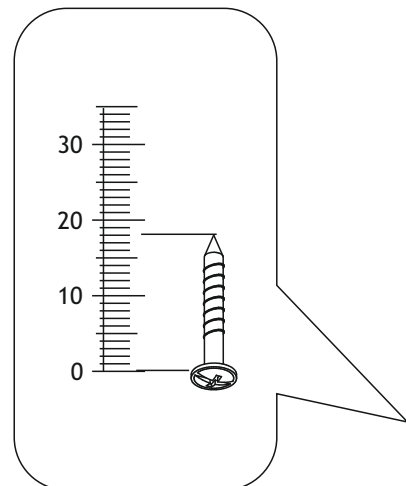
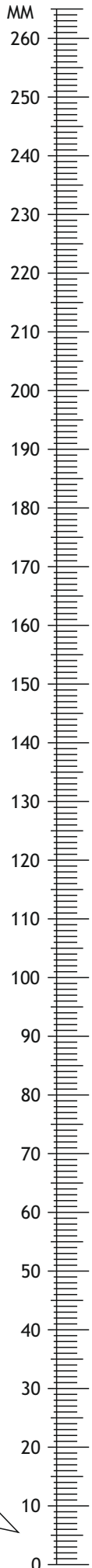


SCARLET Chest of drawers 1360

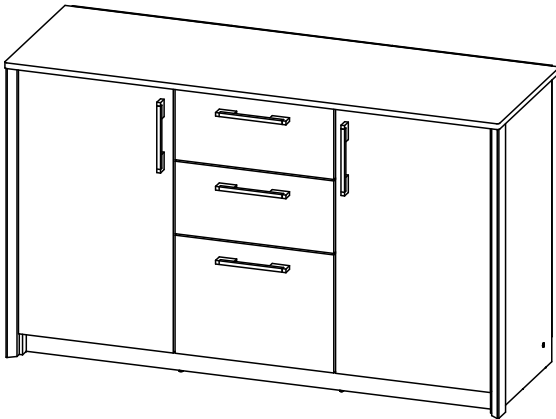



SCARLET Chest of drawers 1360

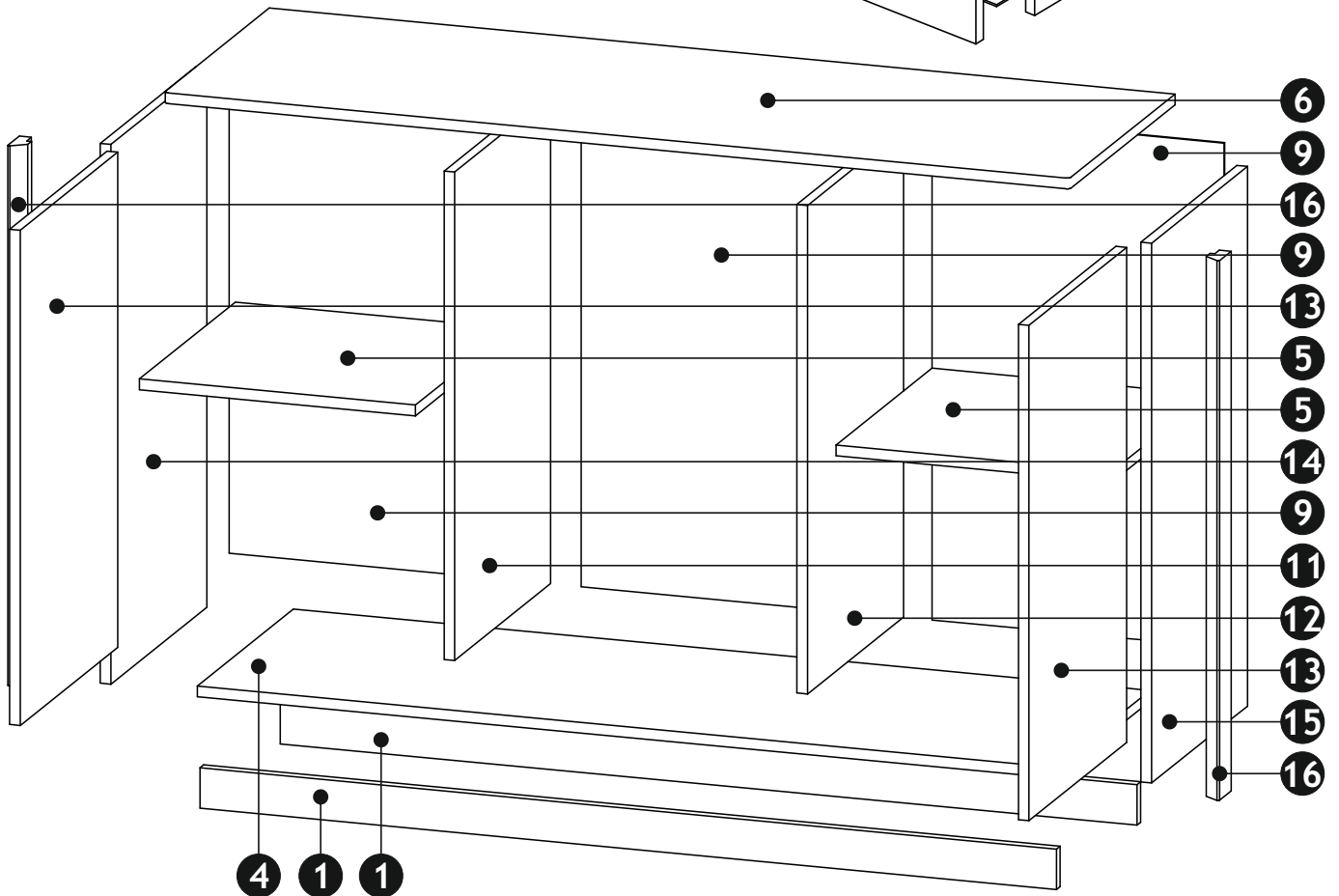
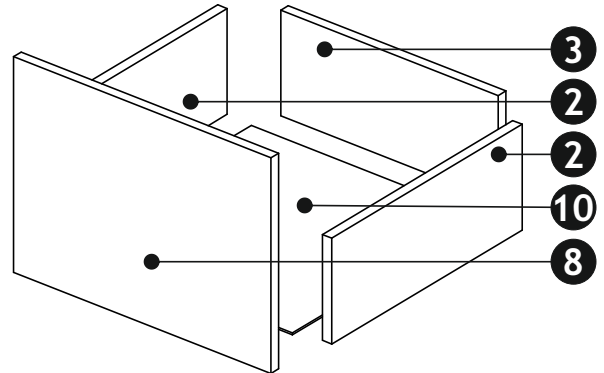
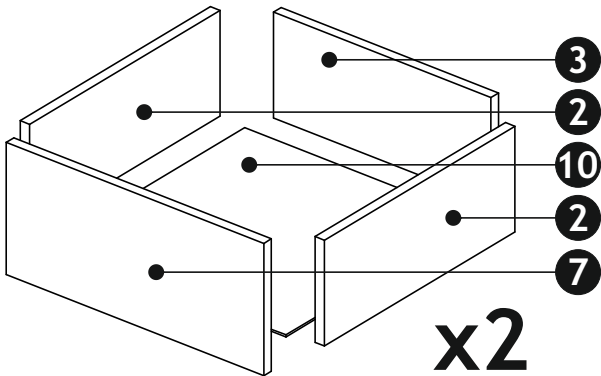
A0 8 x 32mm x46 	B0  x8	B1 f 7 x 50 mm x26 
D0 3 x 15 mm x12 	D1 3 x 25 mm x6 	D10 4 x 16 mm x14 
D16 4,2 x 28 mm x10 	D21 5 x 13 mm x40 	D30 6,3 x 13 mm x8 
I1  x4	I6  x4	K 4mm  x1
N8  L-400mm x3	Q0  x8	T3  x10
T8  x90	 x5	 x3

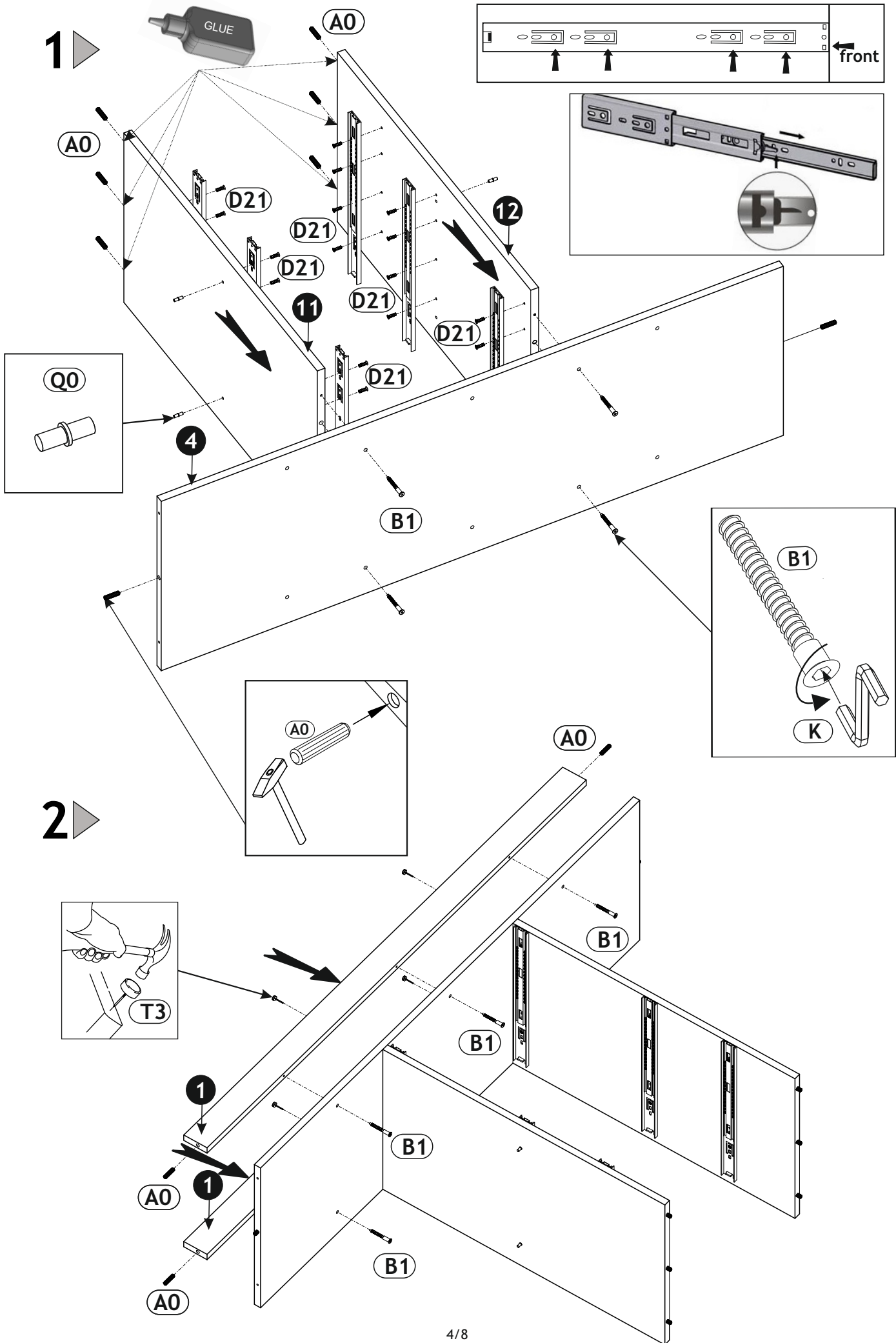


SCARLET Chest of drawers 1360

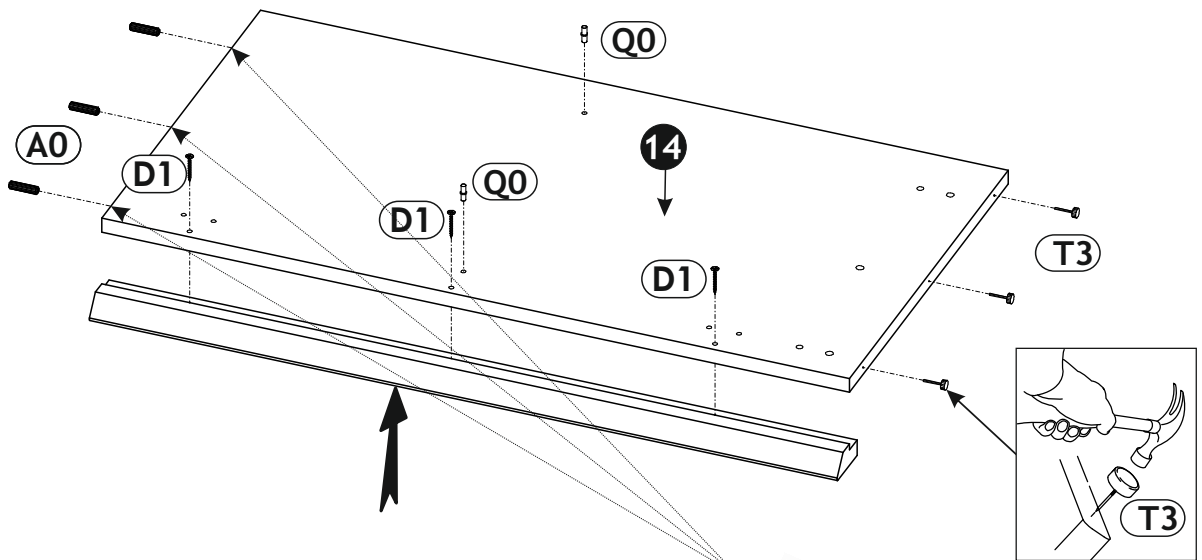


1	1291	60	16	x2	1/2	9	748	440	2,5x3	1/2	
2	160	400	16	x6	1/2	10	405	398	2,5x3	1/2	
3	160	370	16	x3	1/2	11	724	420	16	x1	2/2
4	1291	420	16	x1	1/2	12	724	420	16	x1	2/2
5	416	420	16	x2	1/2	13	734	427	16	x2	2/2
6	1365	461	16	x1	1/2	14	800	420	16	x1	2/2
7	438	200	16	x2	1/2	15	800	420	16	x1	2/2
8	438	326	16	x1	1/2	16	800	55	25	x2	1/2
											1/2

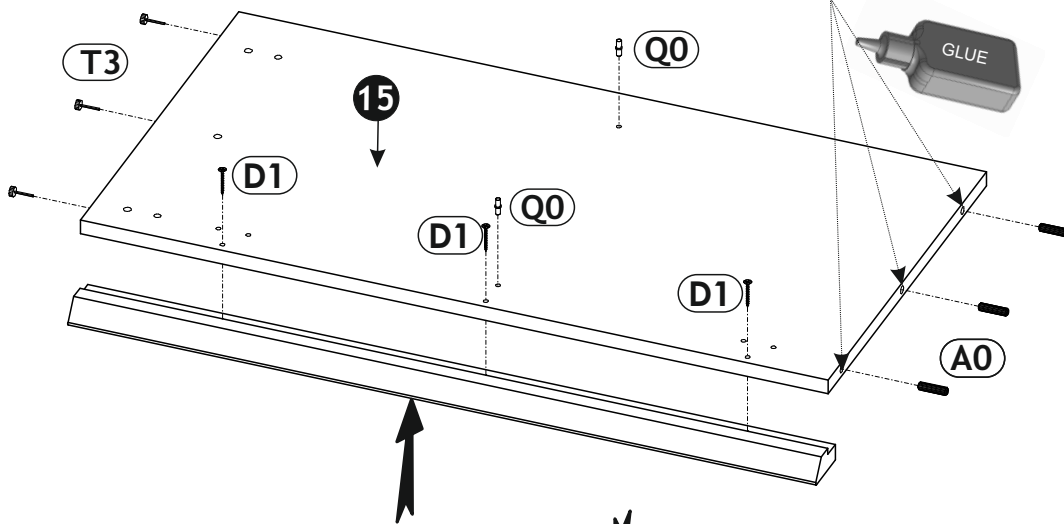




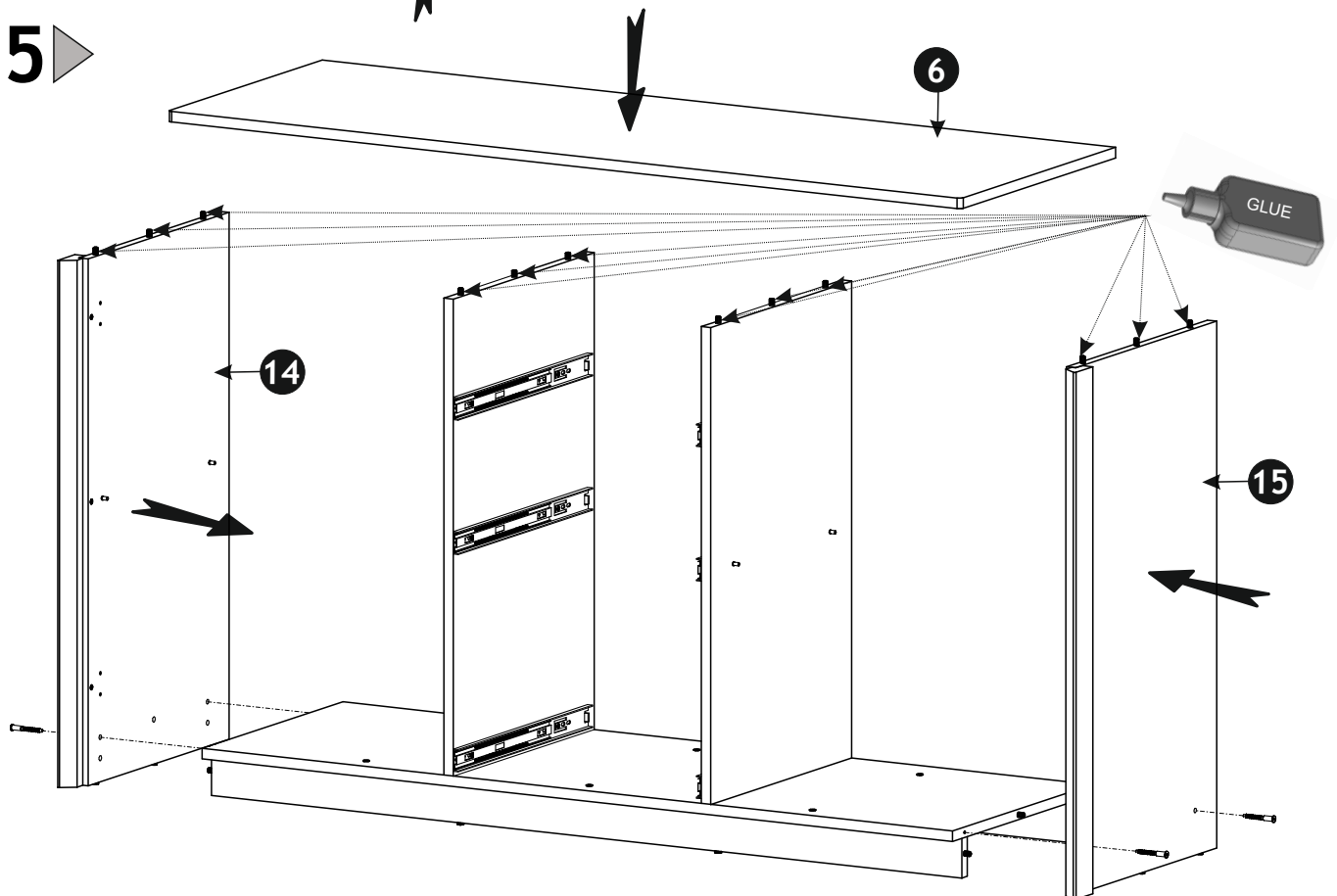
3 ▶



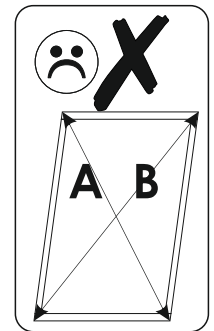
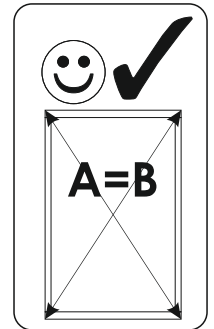
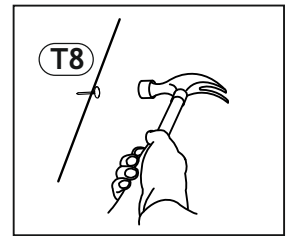
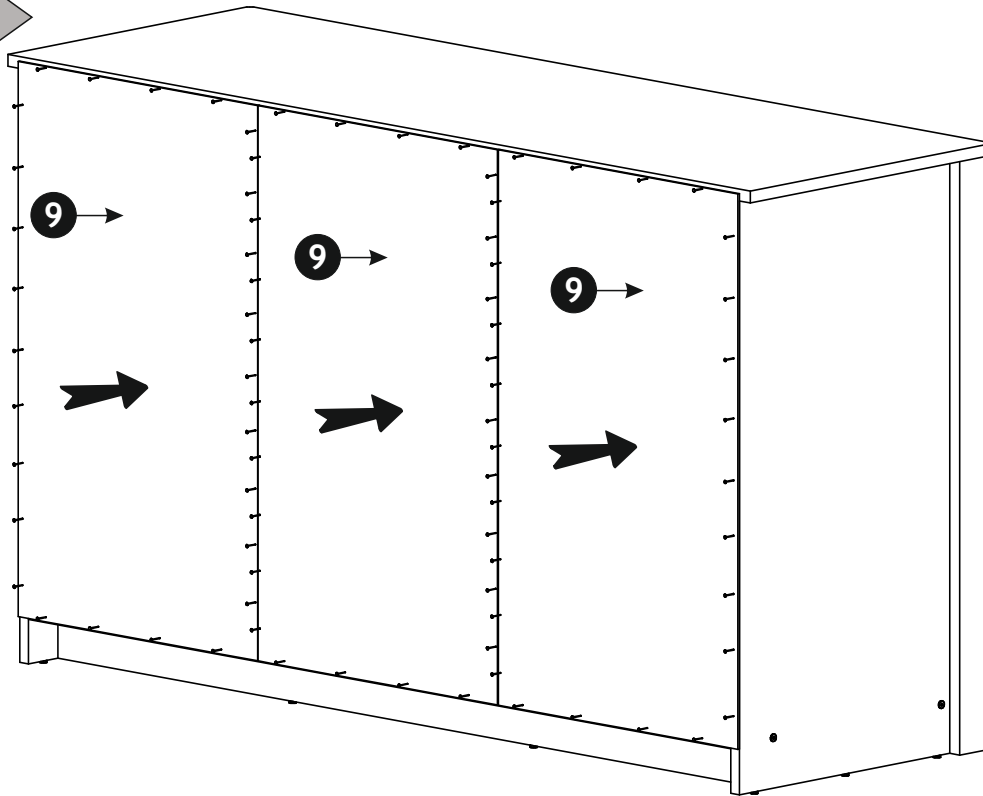
4 ▶



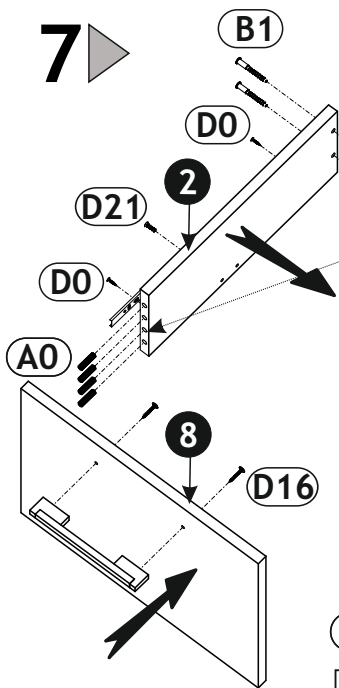
5 ▶



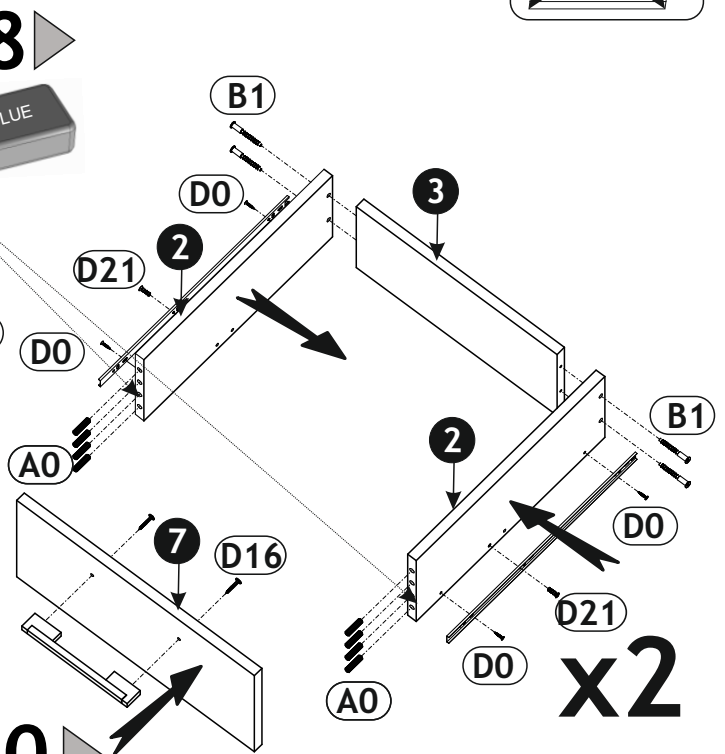
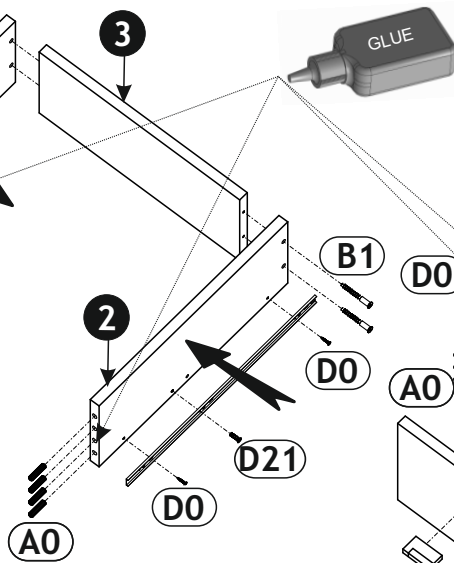
6 ▶



7 ▶

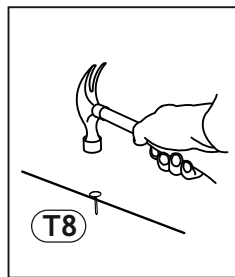


8 ▶



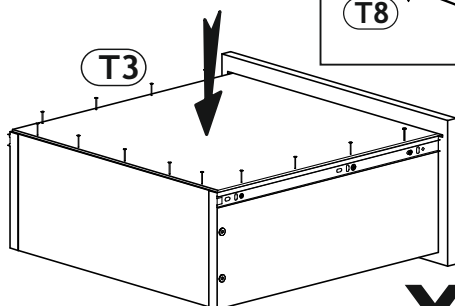
x2

9 ▶

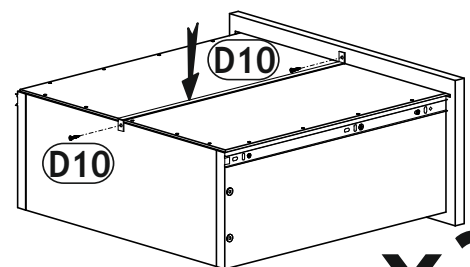
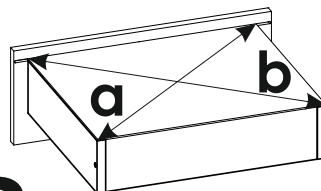


a=b

10 ▶

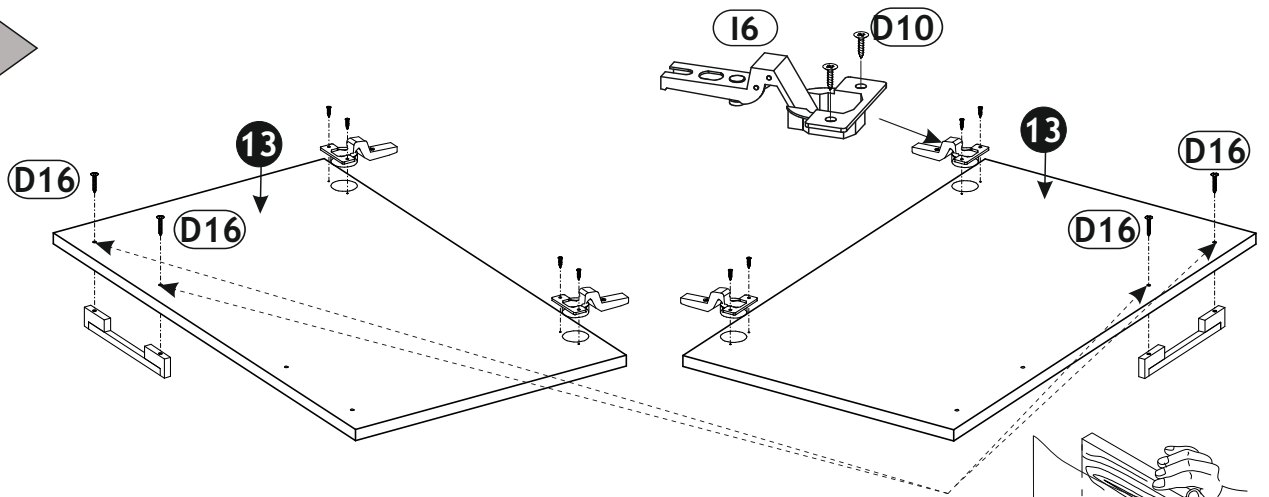


x3

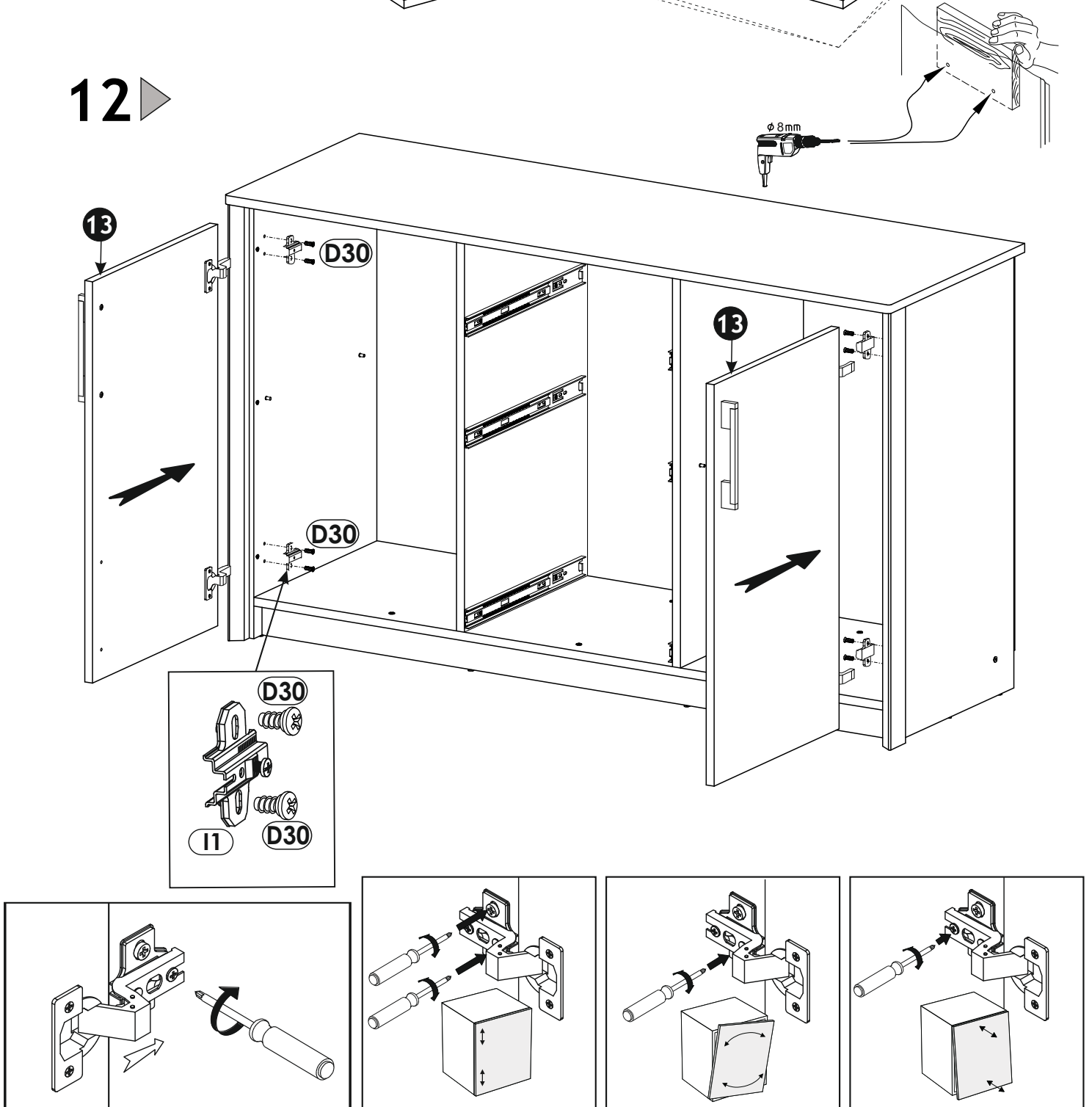


x3

11 ▶



12 ▶



13 ▶

