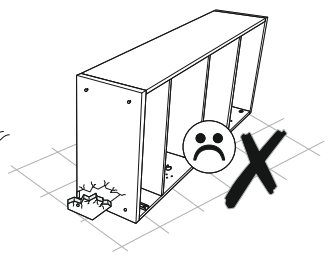
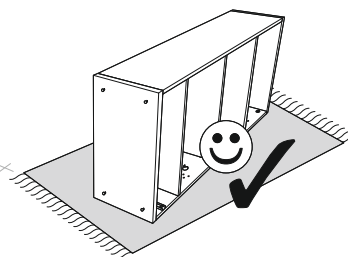
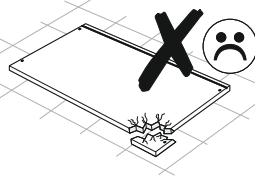
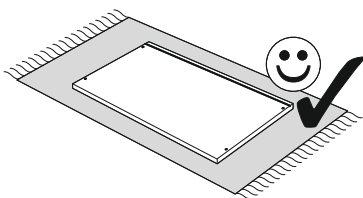
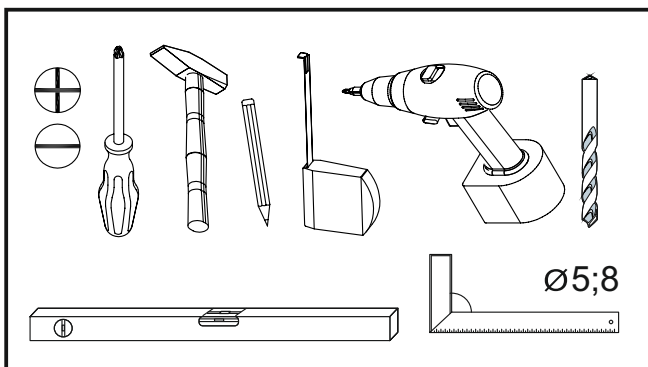
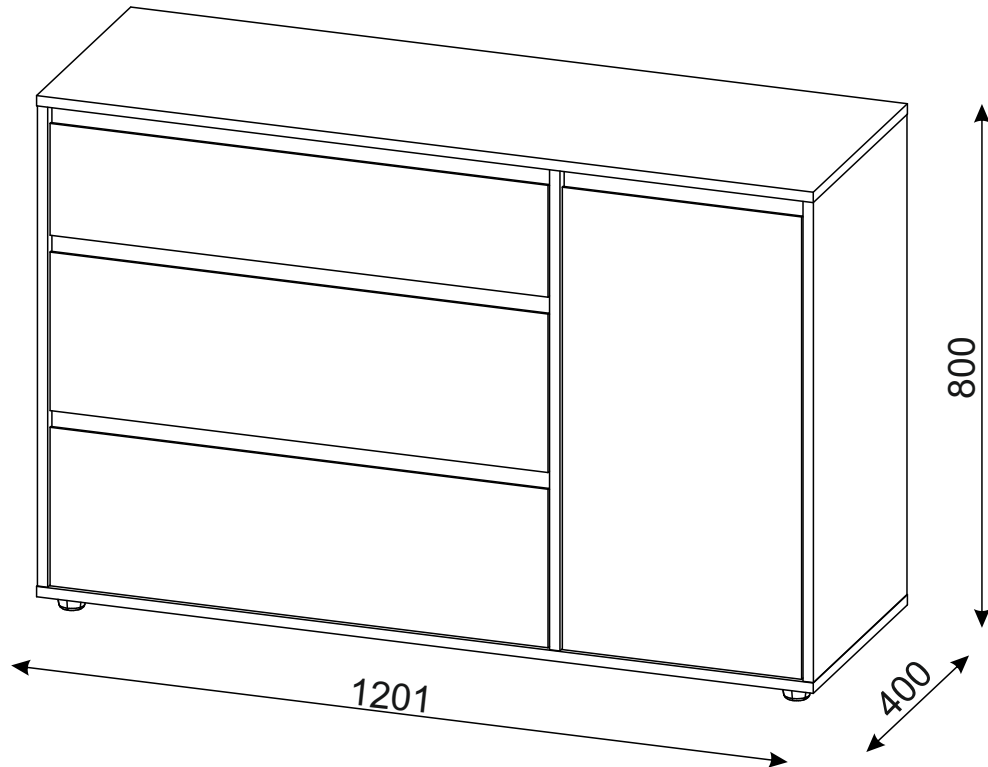
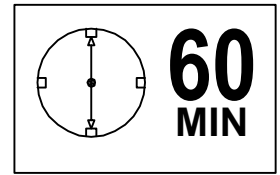
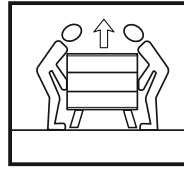
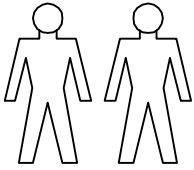
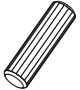










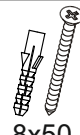






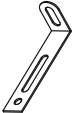
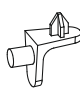



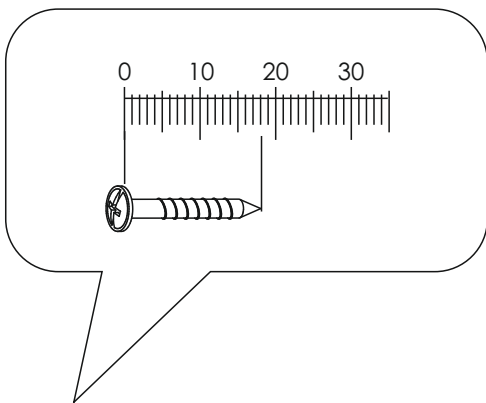


Kommode NITRO SOFT 1200/1D3Dr




Kommode NITRO SOFT 1200/1D3Dr

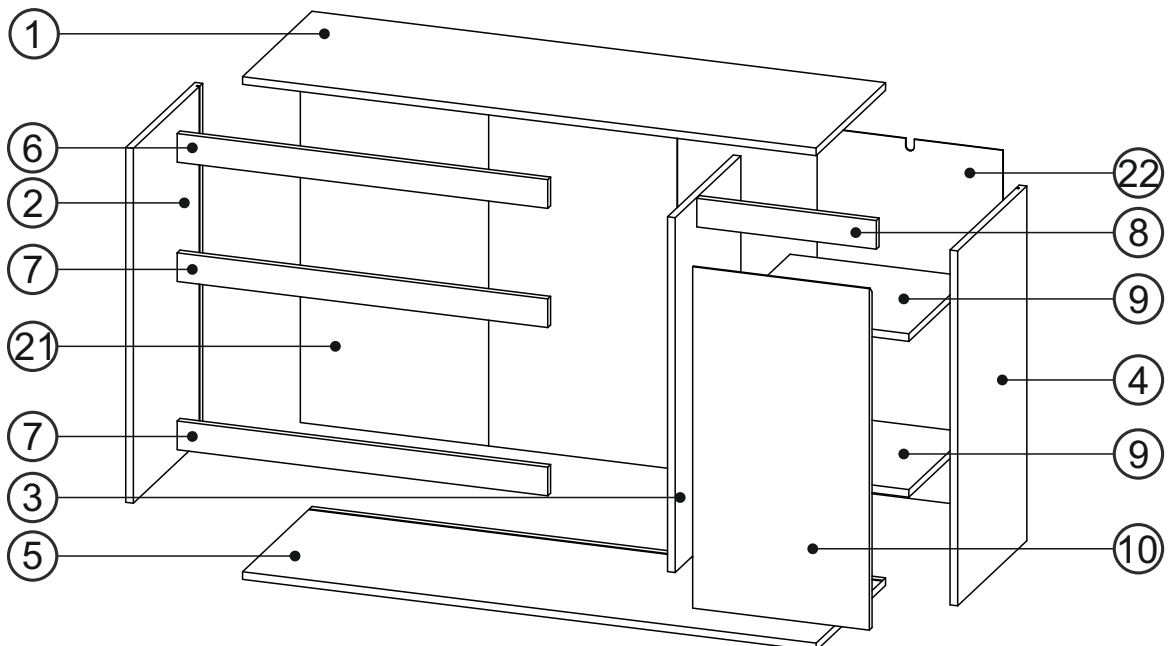
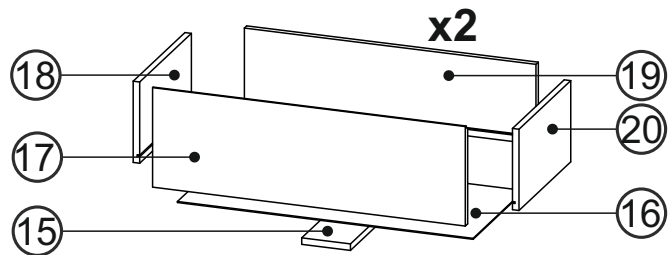
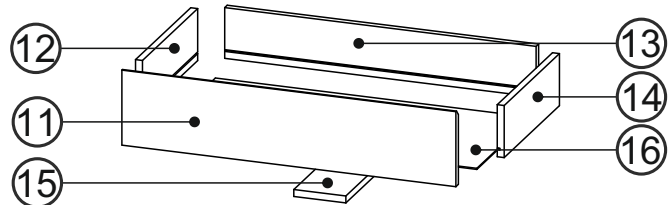
A0  ø8x30 x56	A1  ø8x50 x2	B0  ø 7mm x12	B1  ø7x50 x21	C0  ø16mm x12	C2  x21	C7  16mm x21	D0  3x15 x40	D5  3,5x16 x4	D12  4x25 x5	D21  5x13 x44
E0  8x50 x2	J4  x2	J6  x2	K  4mm x1	M1  x36	M3  x4	N7  L-350 x3	P0  x2	Q3  x8	Q4  x1	T17  x5
U0  x7										










Kommode NITRO SOFT 1200/1D3Dr

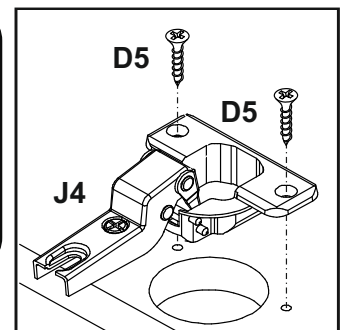
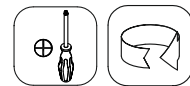
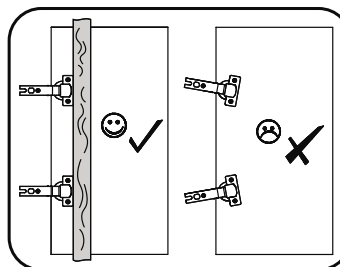
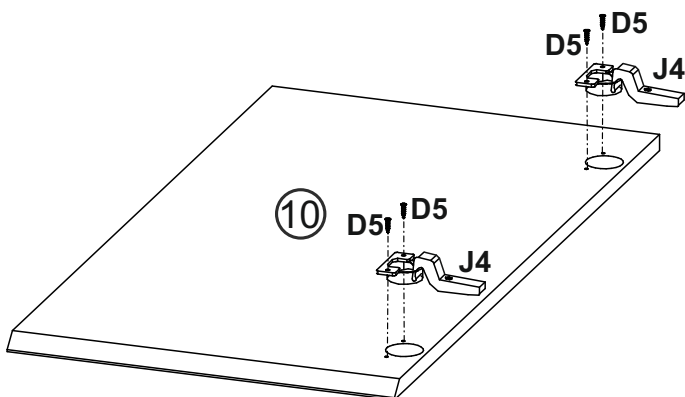
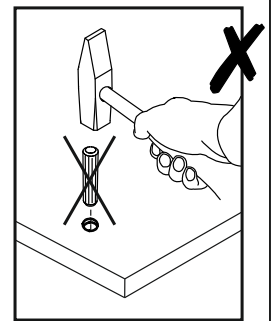
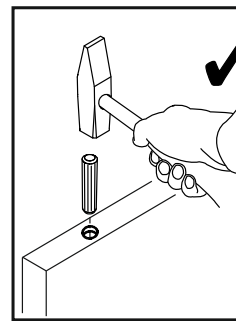
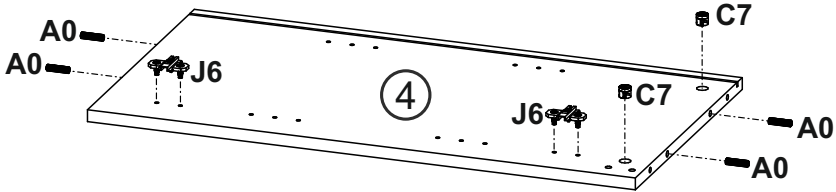
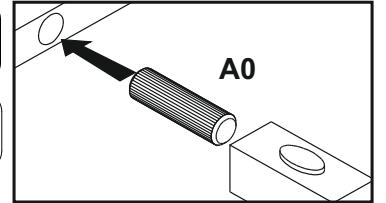
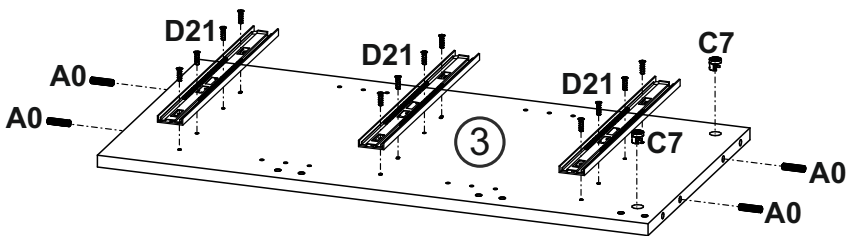
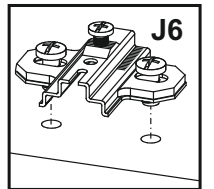
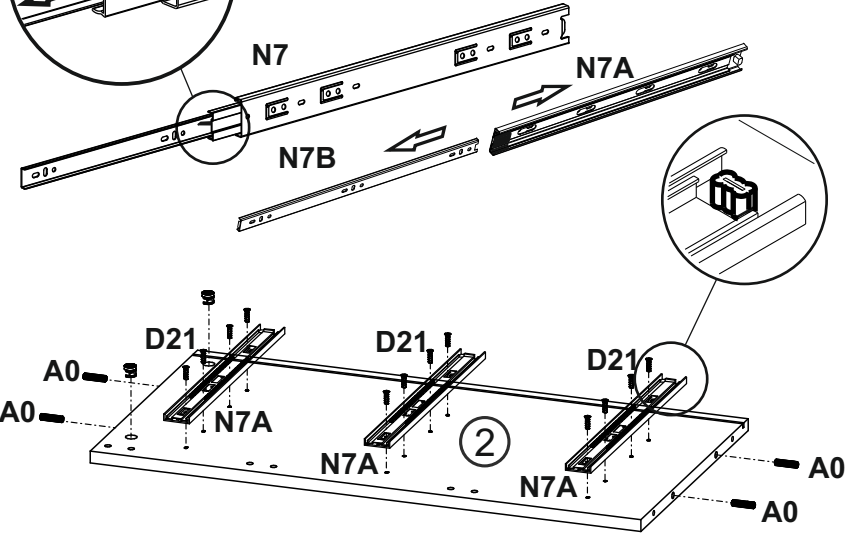
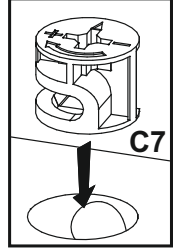
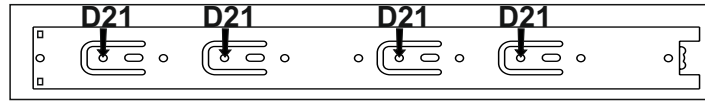
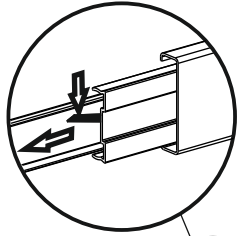
①	1201	400	16	x1	2/2
②	743	398	16	x1	1/2
③	743	378	16	x1	1/2
④	743	398	16	x1	1/2
⑤	1201	400	16	x1	2/2
⑥	776	60	16	x1	2/2
⑦	776	60	16	x2	2/2
⑧	376	60	16	x1	2/2
⑨	376	350	16	x2	2/2
⑩	715	370	16	x1	1/2
⑪	770	173	16	x1	2/2
⑫	350	120	16	x1	2/2
⑬	718	117	16	x1	2/2
⑭	350	120	16	x1	2/2
⑮	333,5	120	16	x3	2/2

⑯	728	344	3	x1	1/2
⑰	770	245	16	x2	1/2
⑱	350	200	16	x2	2/2
⑲	718	197	16	x2	1/2
⑳	350	200	16	x2	2/2
㉑	753	789	3	x1	1/2
㉒	753	389	3	x1	1/2
					1/2

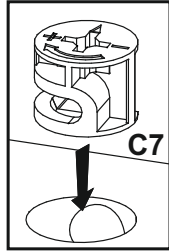


1

A0  ø8x30 x12	C7  16mm x6	D5  3,5x16 x4	D21  5x13 x24	J4  x2	J6  x2	N7  L-350 x6
---	---	---	---	---	---	--



2



A0

 ø8x30
x16

A1

 ø8x50
x2

C2

x11

C7

 16mm
x4

D12

 4x25
x5

D21

 5x13
x8

P0

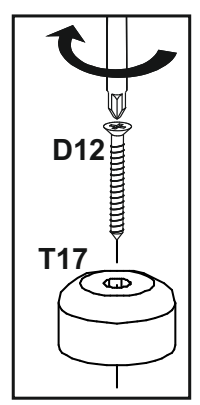
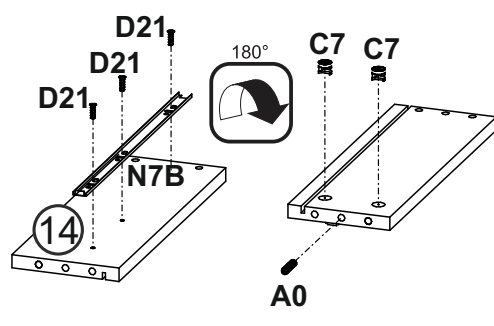
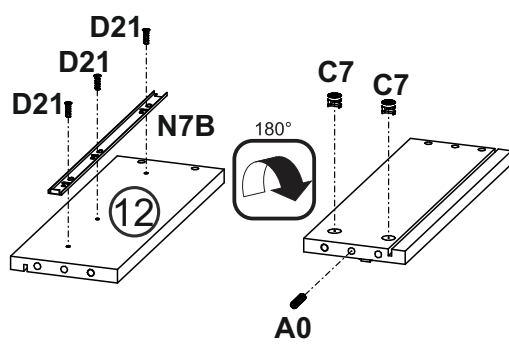
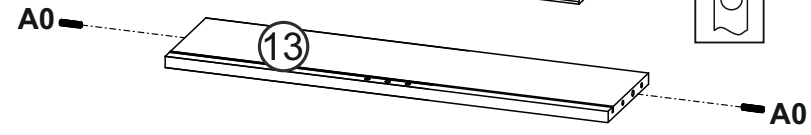
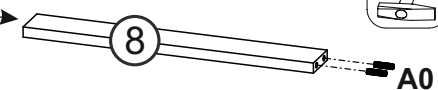
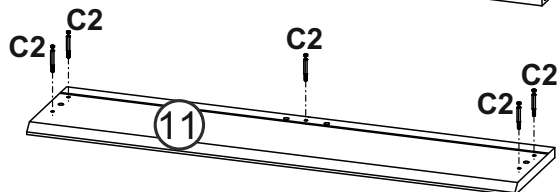
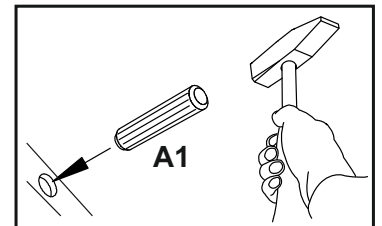
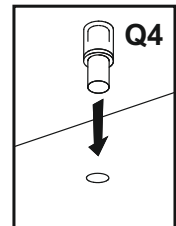
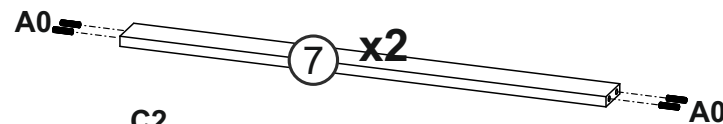
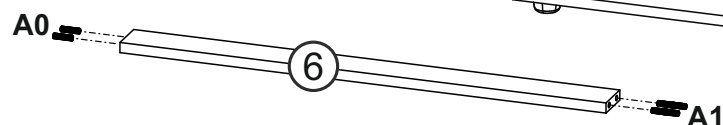
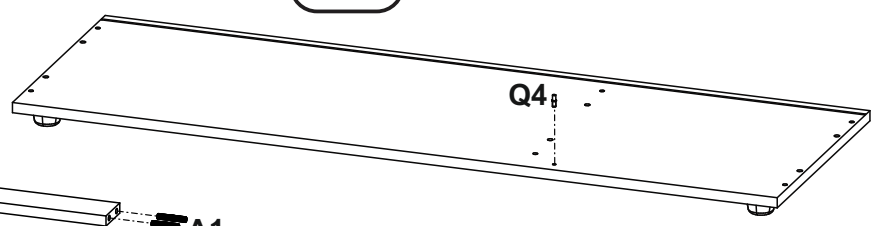
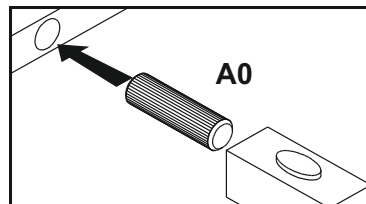
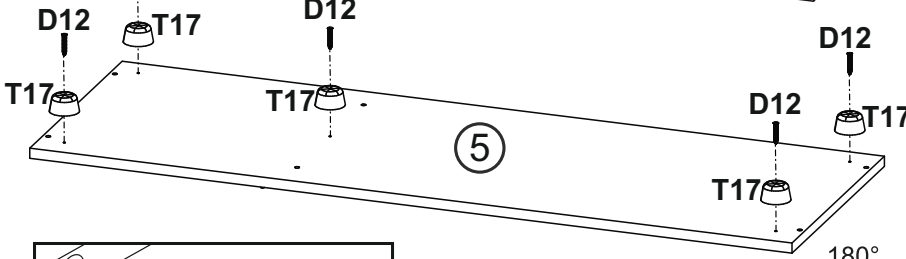
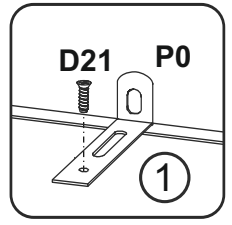
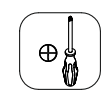
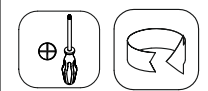
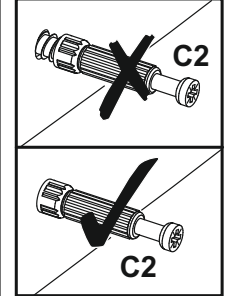
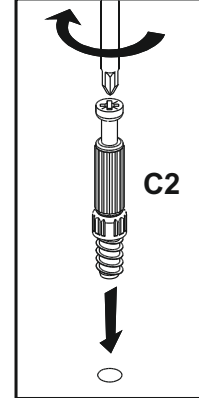
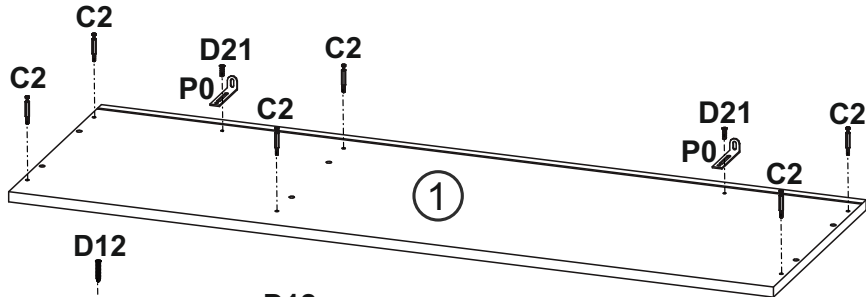
x2

Q4

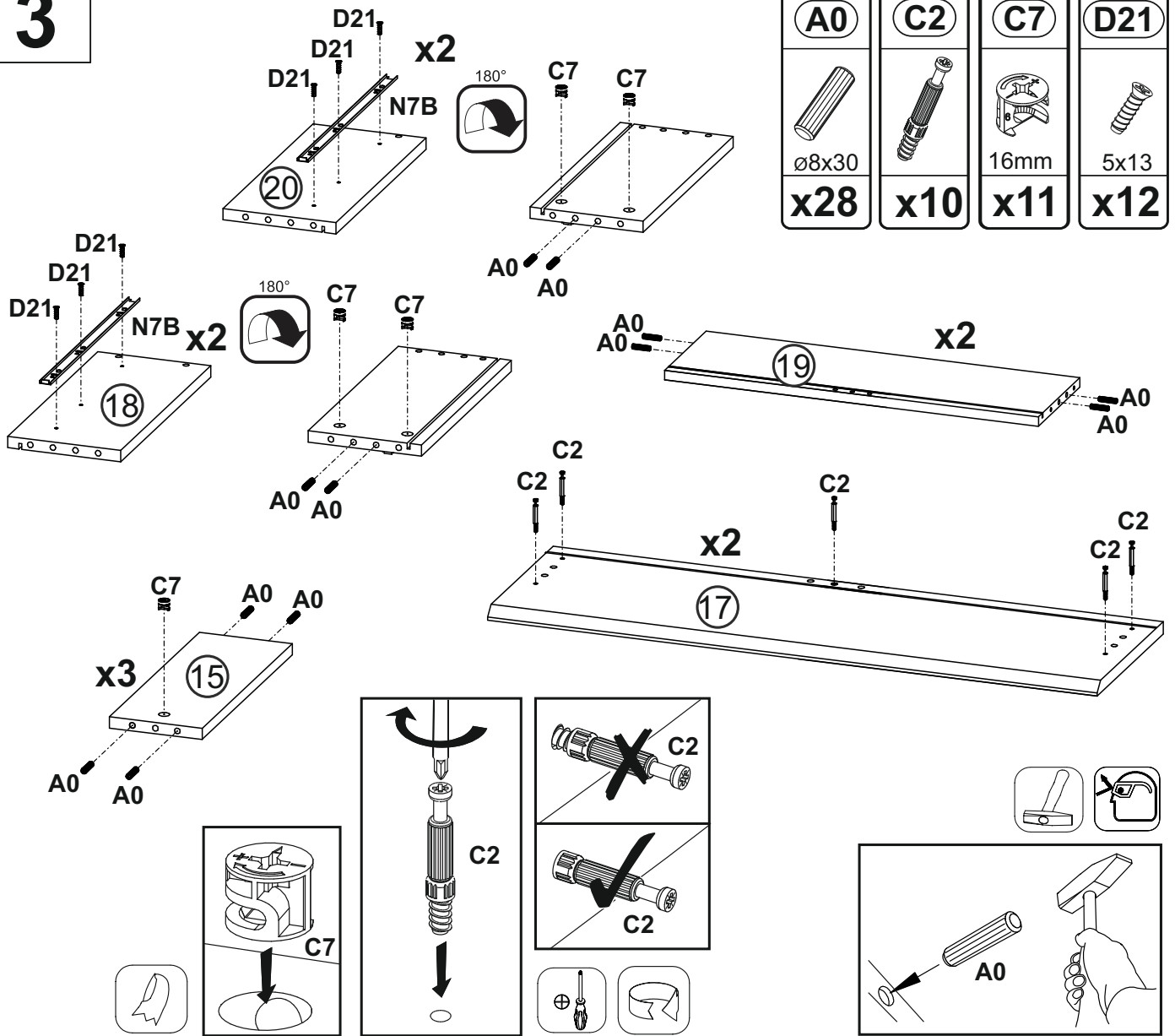
x1

T17

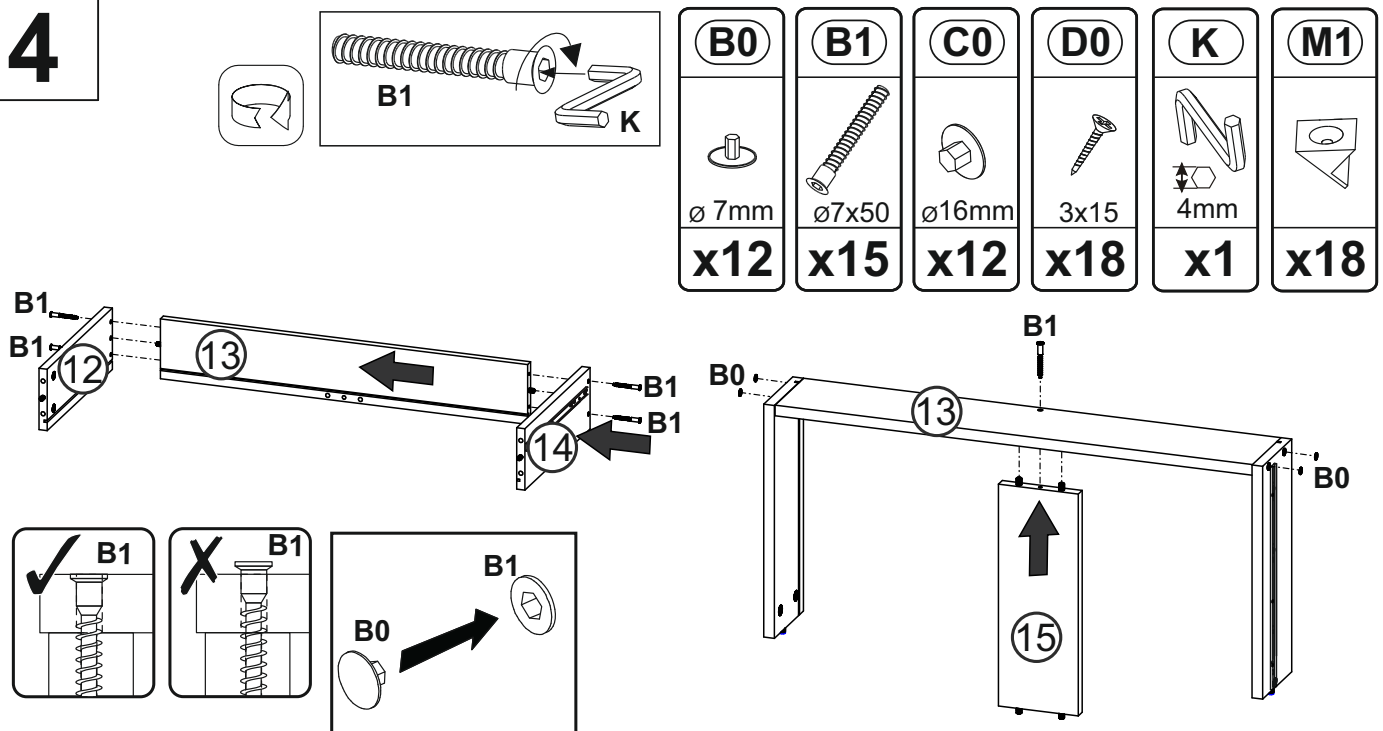
x5

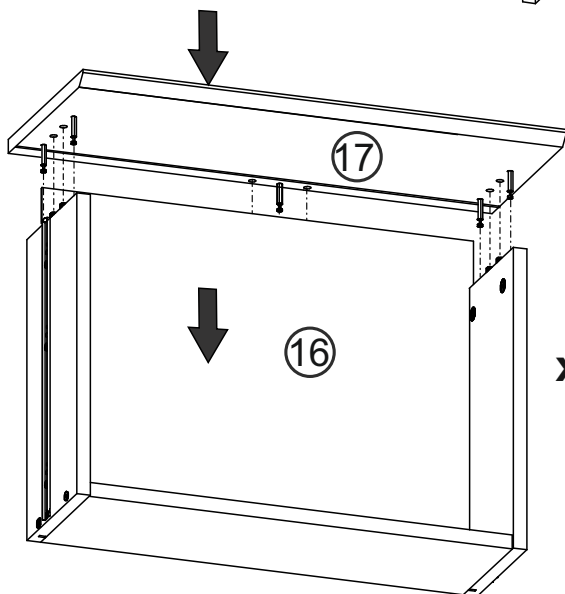
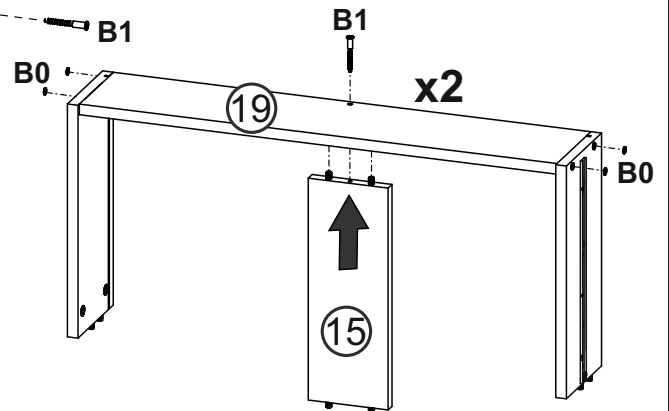
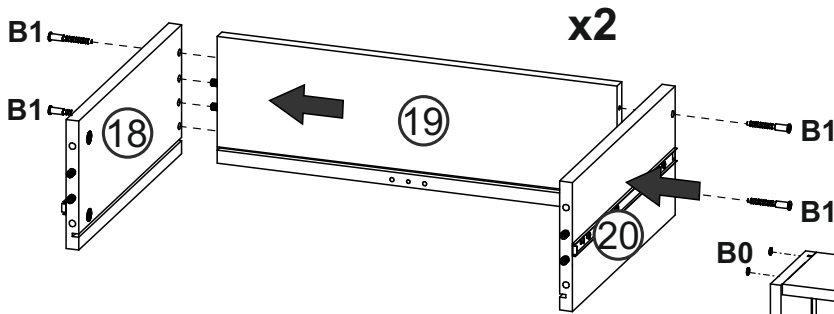
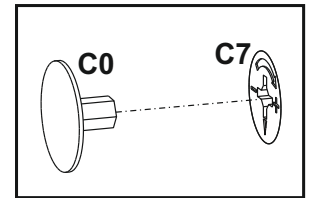
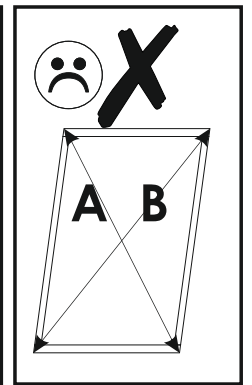
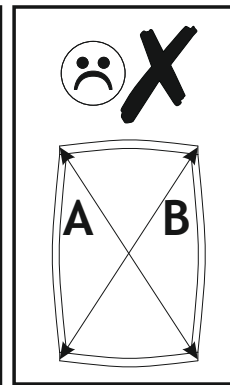
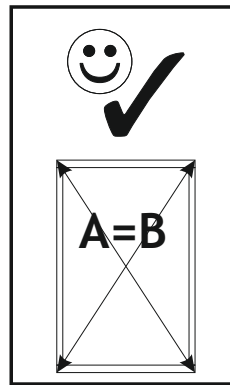
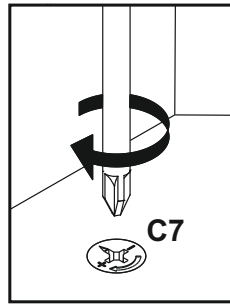
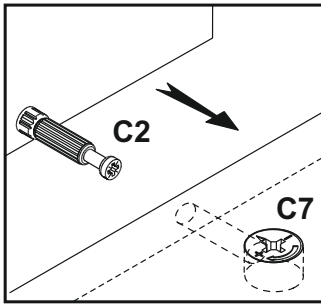
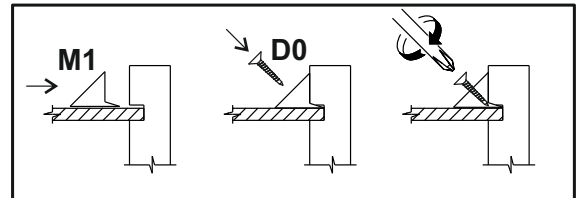
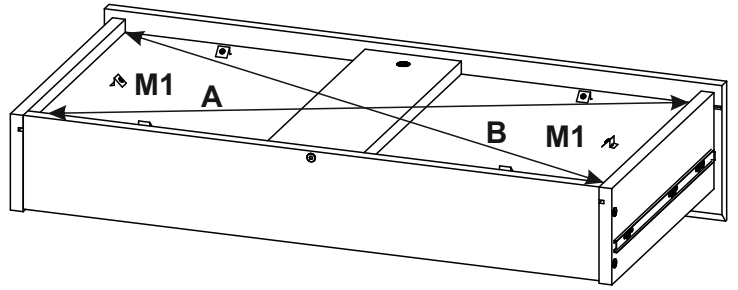
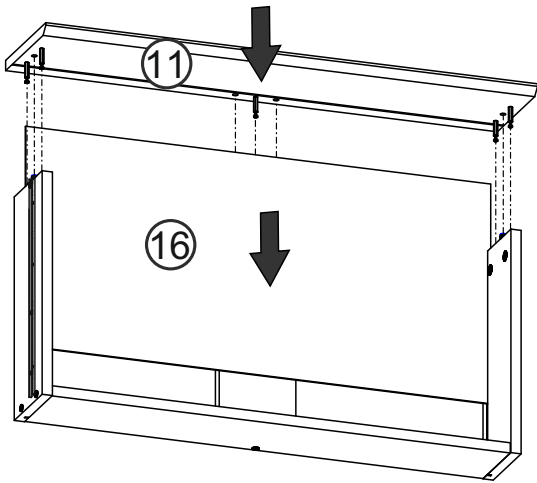


3

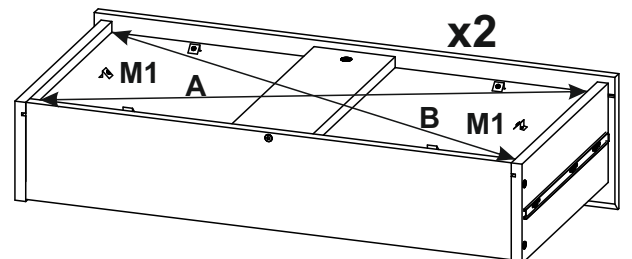


4



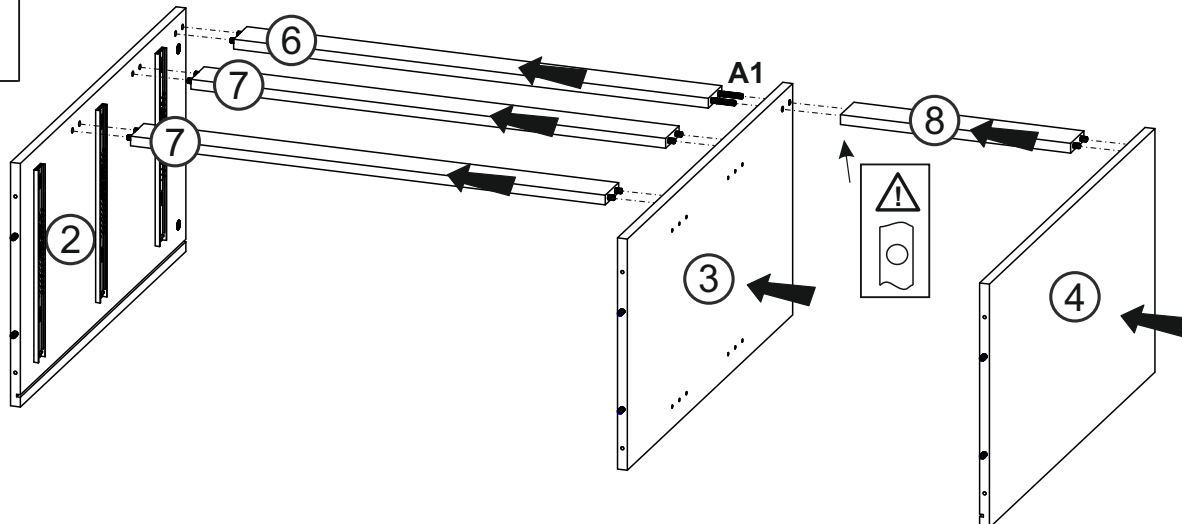


x2

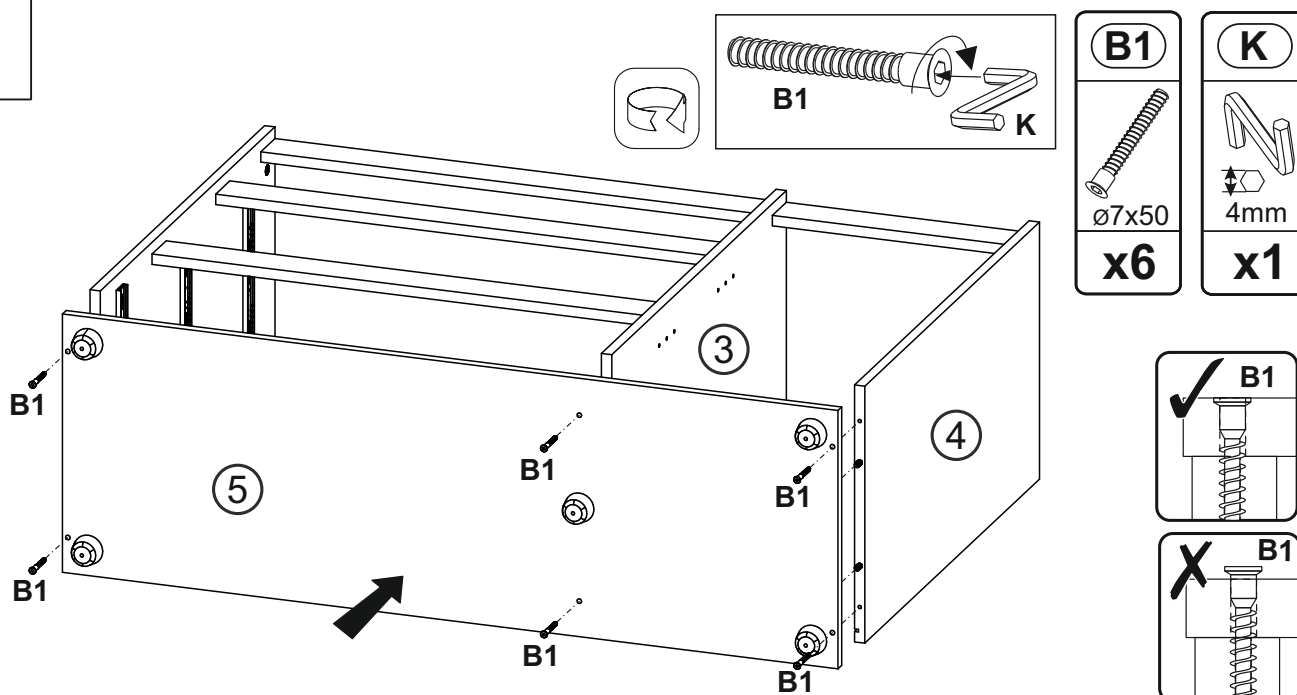


x2

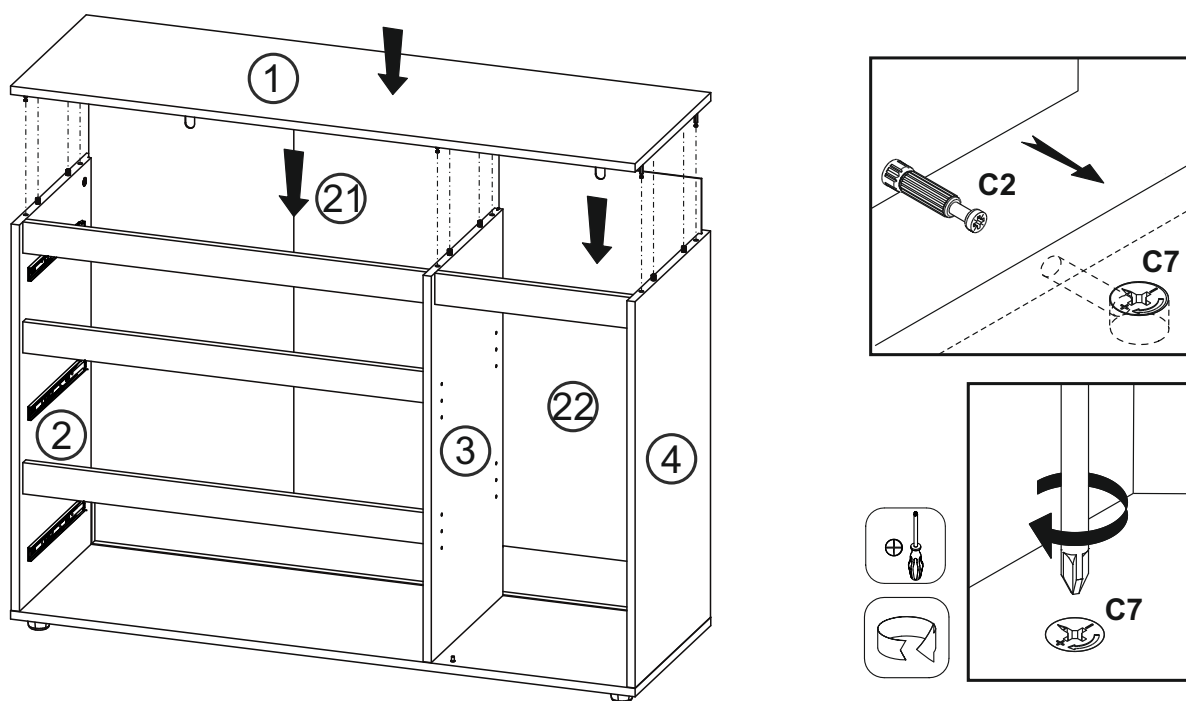
5



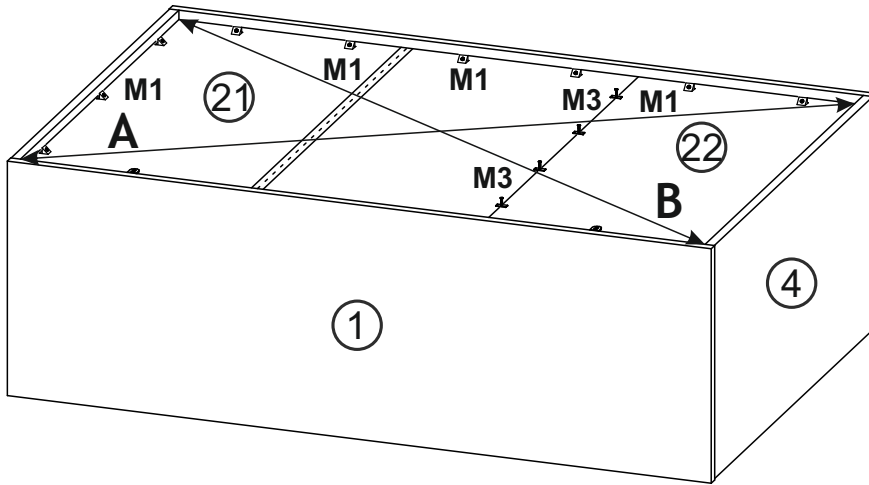
6






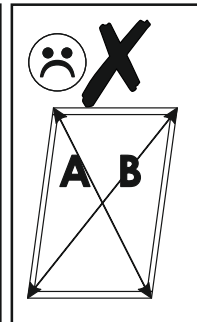
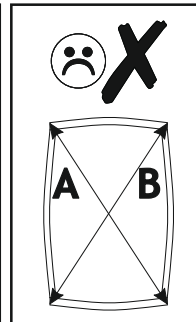
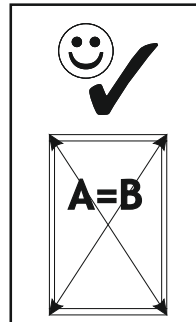
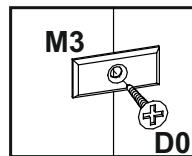
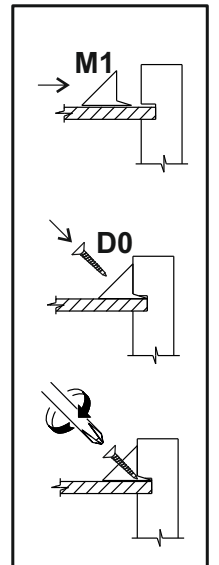
7



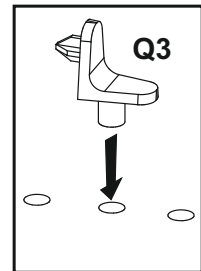
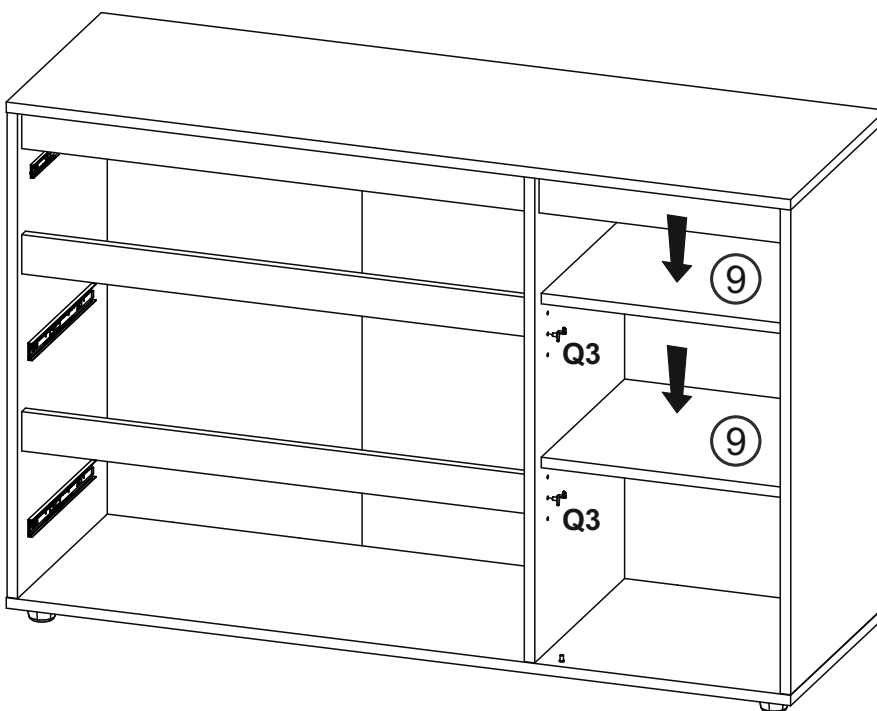
8

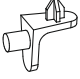


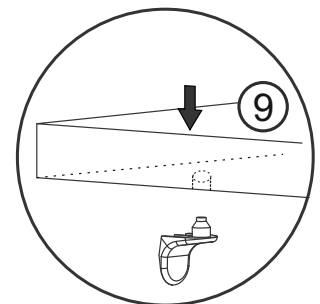
D0	M1	M3
		
3x15		
x22	x18	x4



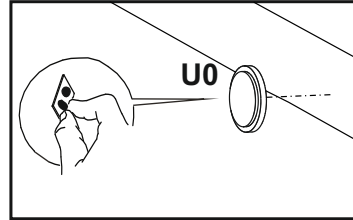
9

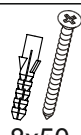



Q3

x8



10



E0

8x50
x2

U0

x7

