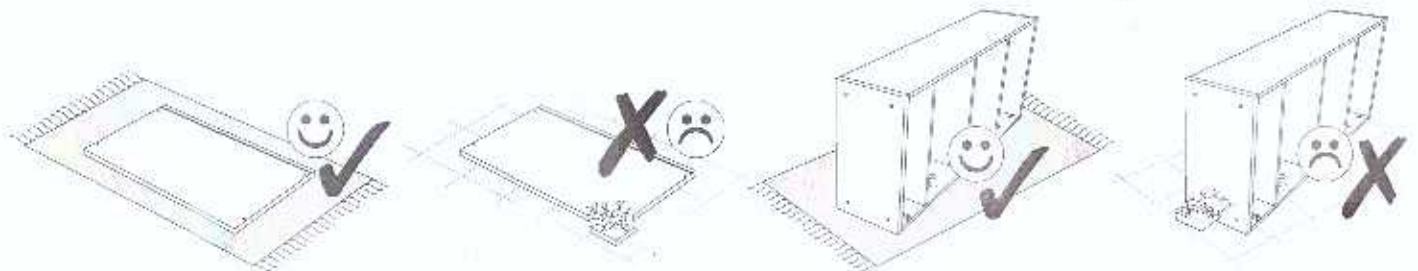
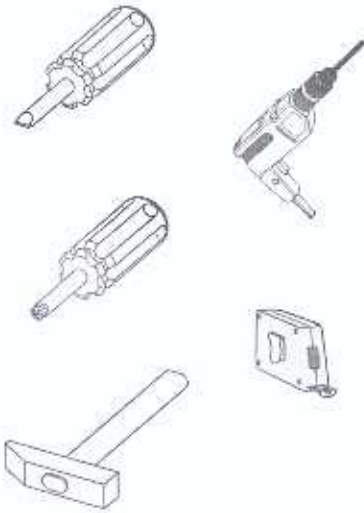
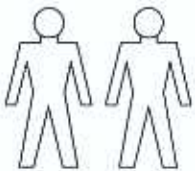




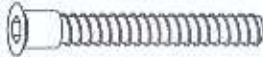










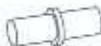




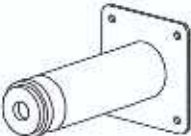
NIAGARA

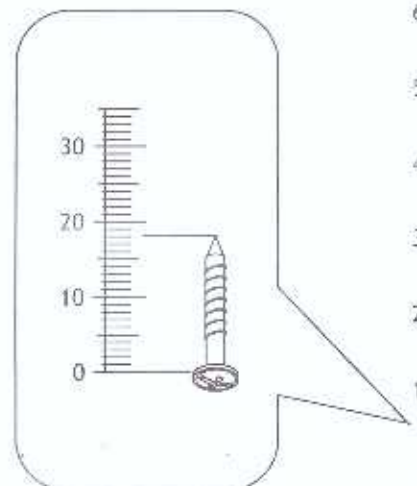
Wardrobe with stand and mirror 1130



NIAGARA

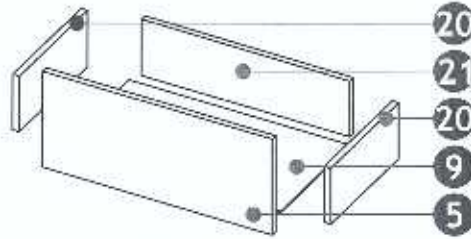
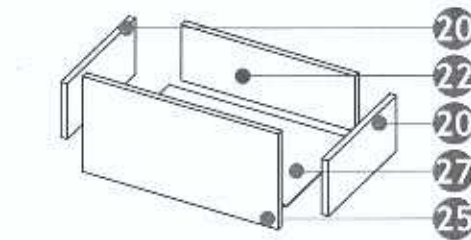
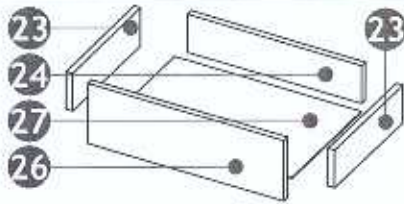
Wardrobe with stand and mirror 1130

A0 8 x 32mm x37 	B0  x8	B1 f7 x 50 mm x40 
D2 3 x 30 mm x6 	D0 3 x 15 mm x16 	D10 4 x 16 mm x44 
D21 5 x 13 mm x12 	D30 EURO 6,3 x 13 mm x16 	I1  x8
I4  x8	K 4mm  x1	N1 L-300  x3
R5  L- 1274mm. x1	Q0  x6	T8  x100
 x1	 x5	 x2
 x6		

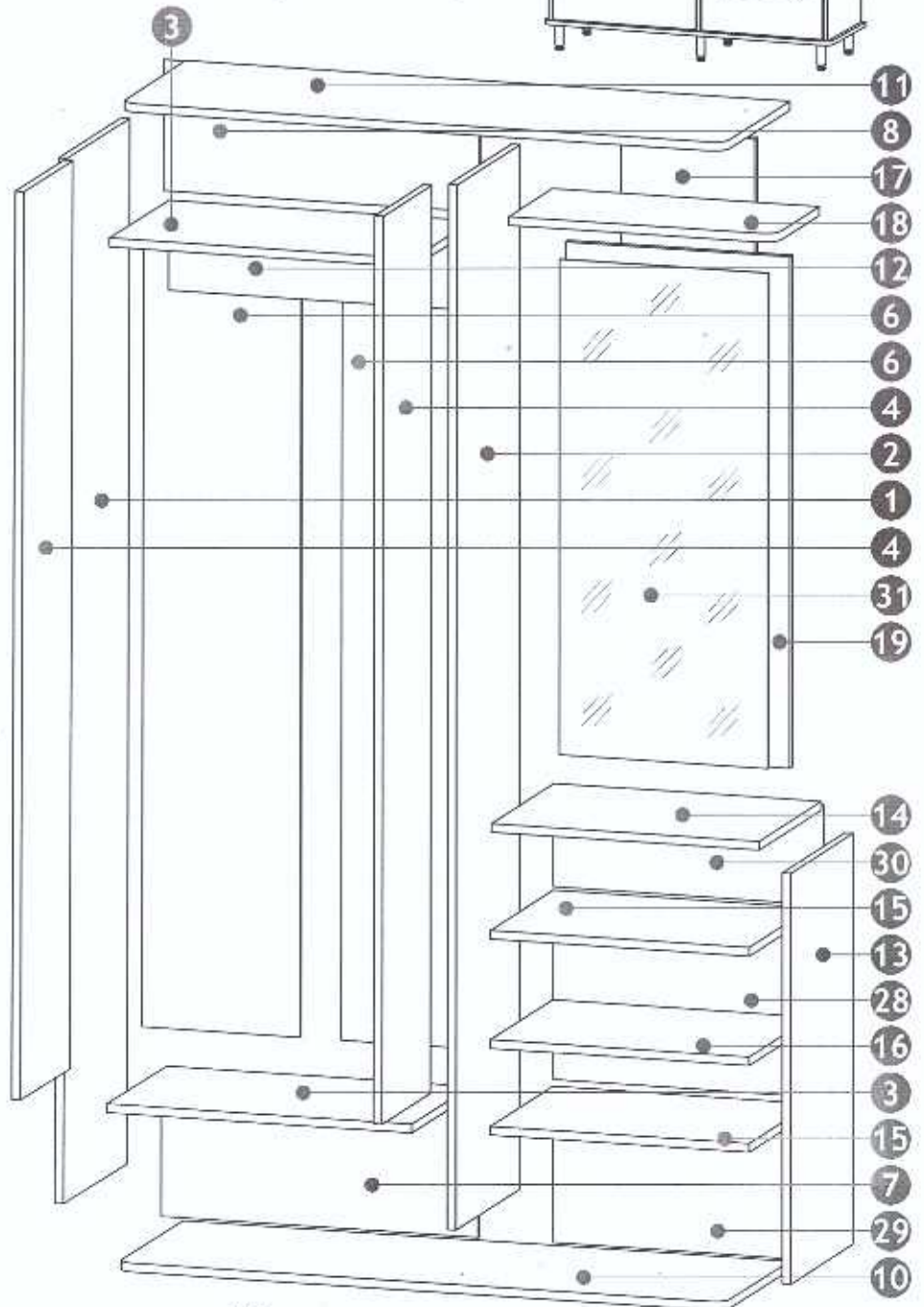


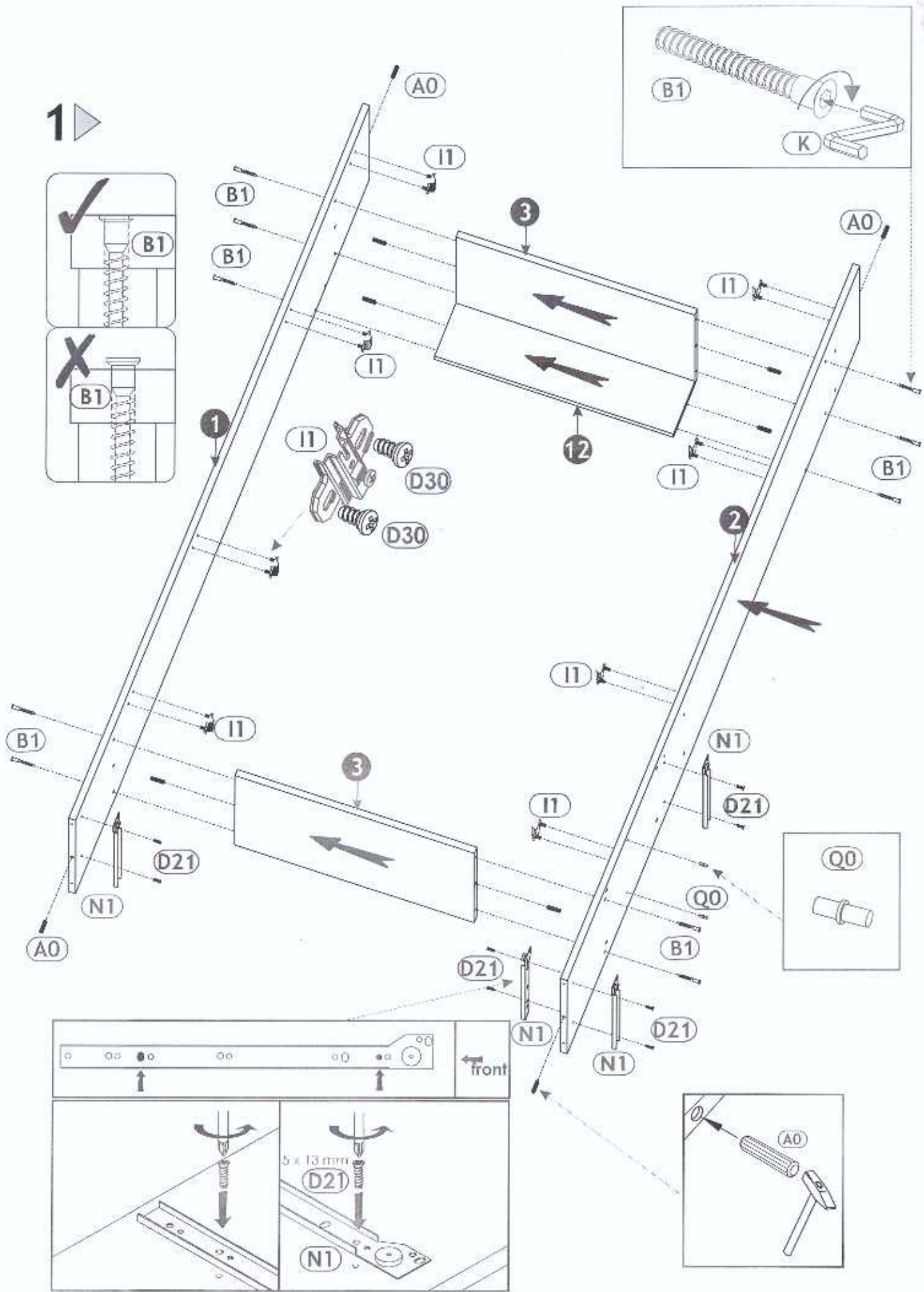
NIAGARA

Wardrobe with stand and mirror 1130

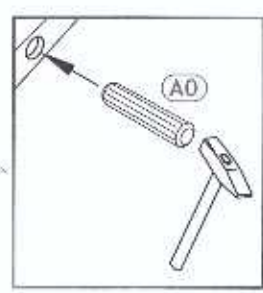
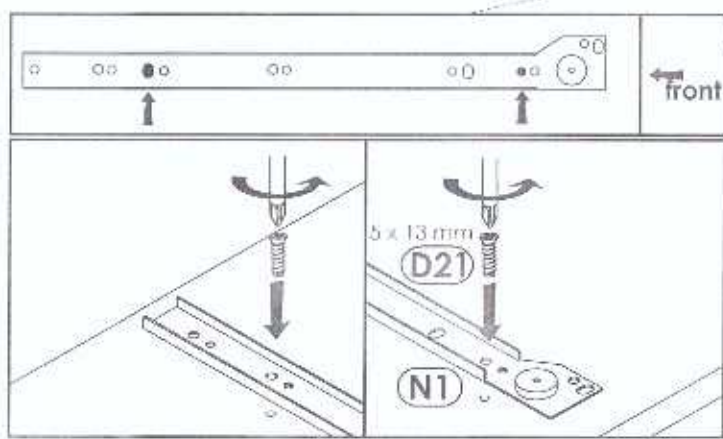
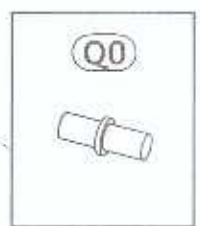
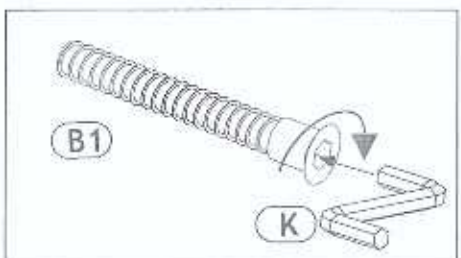
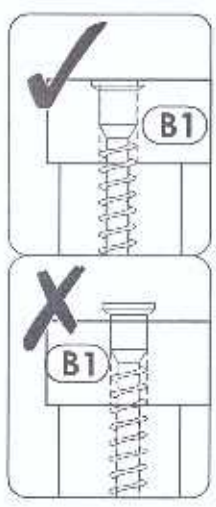


1	1900	359	16	x1	1/2
2	1900	359	16	x1	1/2
3	567	340	16	x2	1/2
4	1651	279	16	x2	1/2
5	240	561	16	x1	1/2
6	1430	294	2,5	x2	1/2
7	258	590	2,5	x1	1/2
8	237	590	2,5	x1	1/2
9	305	540	2,5	x1	1/2
10	1130	375	16	x1	2/2
11	1130	375	16	x1	2/2
12	567	140	16	x1	2/2
13	746,5	359	16	x1	2/2
14	500	359	16	x1	2/2
15	483,5	359	16	x2	2/2
16	483,5	359	16	x1	2/2
17	1137	250	16	x1	2/2
18	500	250	16	x1	2/2
19	930	420	16	x1	2/2
20	300	140	16	x4	2/2
21	509	140	16	x1	2/2
22	425	140	16	x1	2/2
23	300	95	16	x2	2/2
24	425	95	16	x1	2/2
25	240	478	16	x1	2/2
26	152	478	16	x1	2/2
27	305	456	2,5	x2	2/2
28	325	505	2,5	x1	2/2
29	267	505	2,5	x1	2/2
30	181	505	2,5	x1	2/2
31	900	930	3	x1	

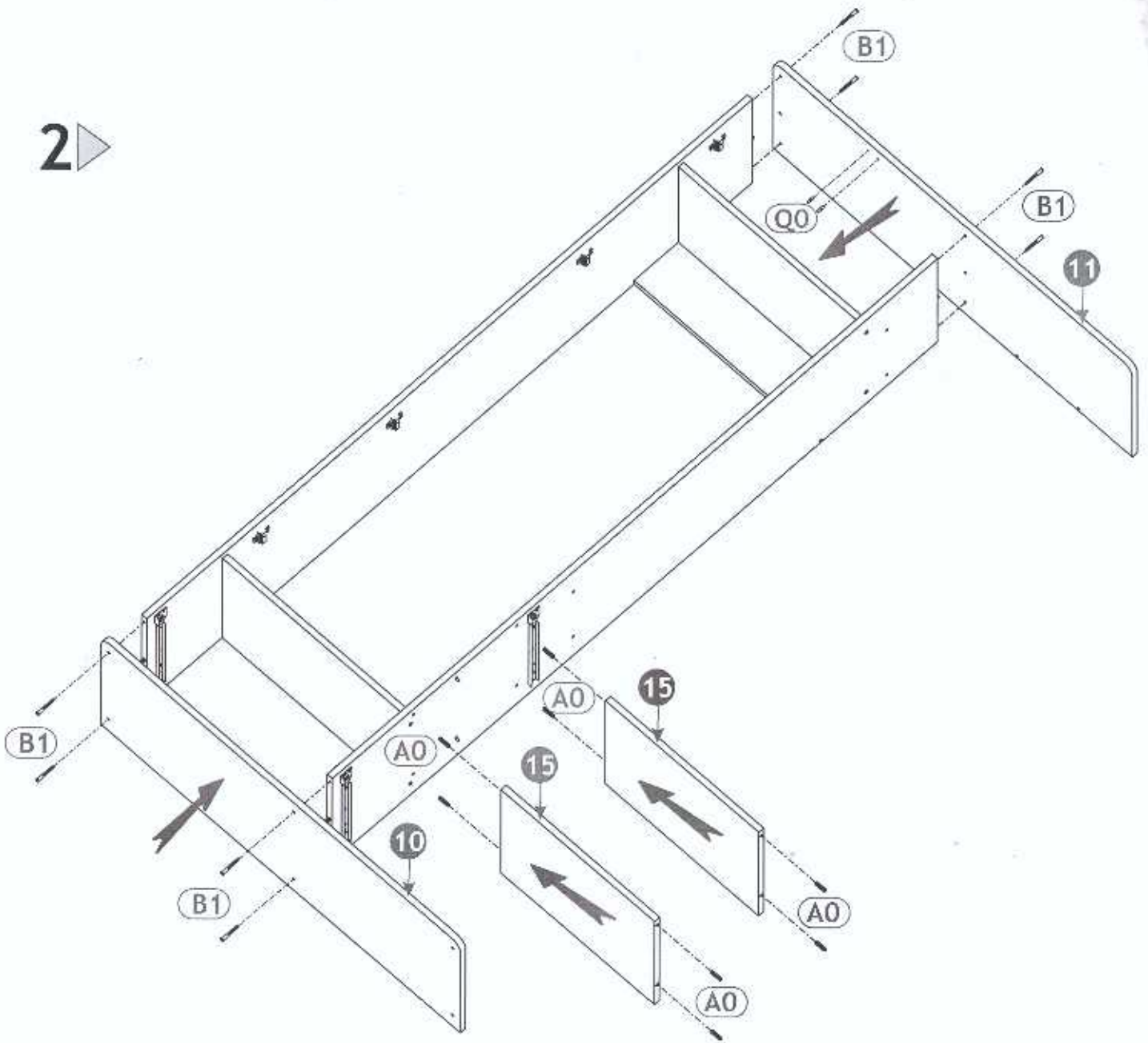




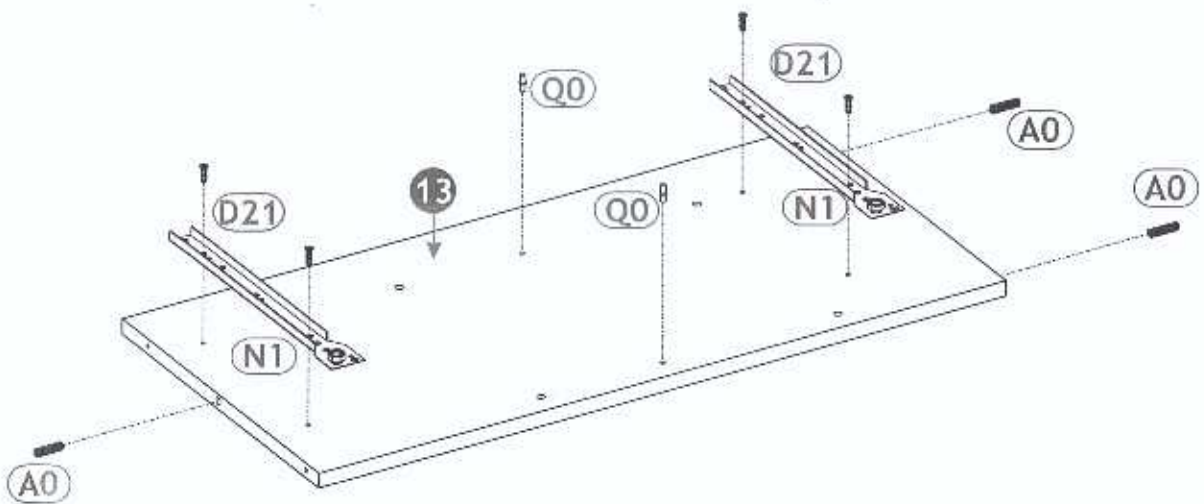
1 ▶

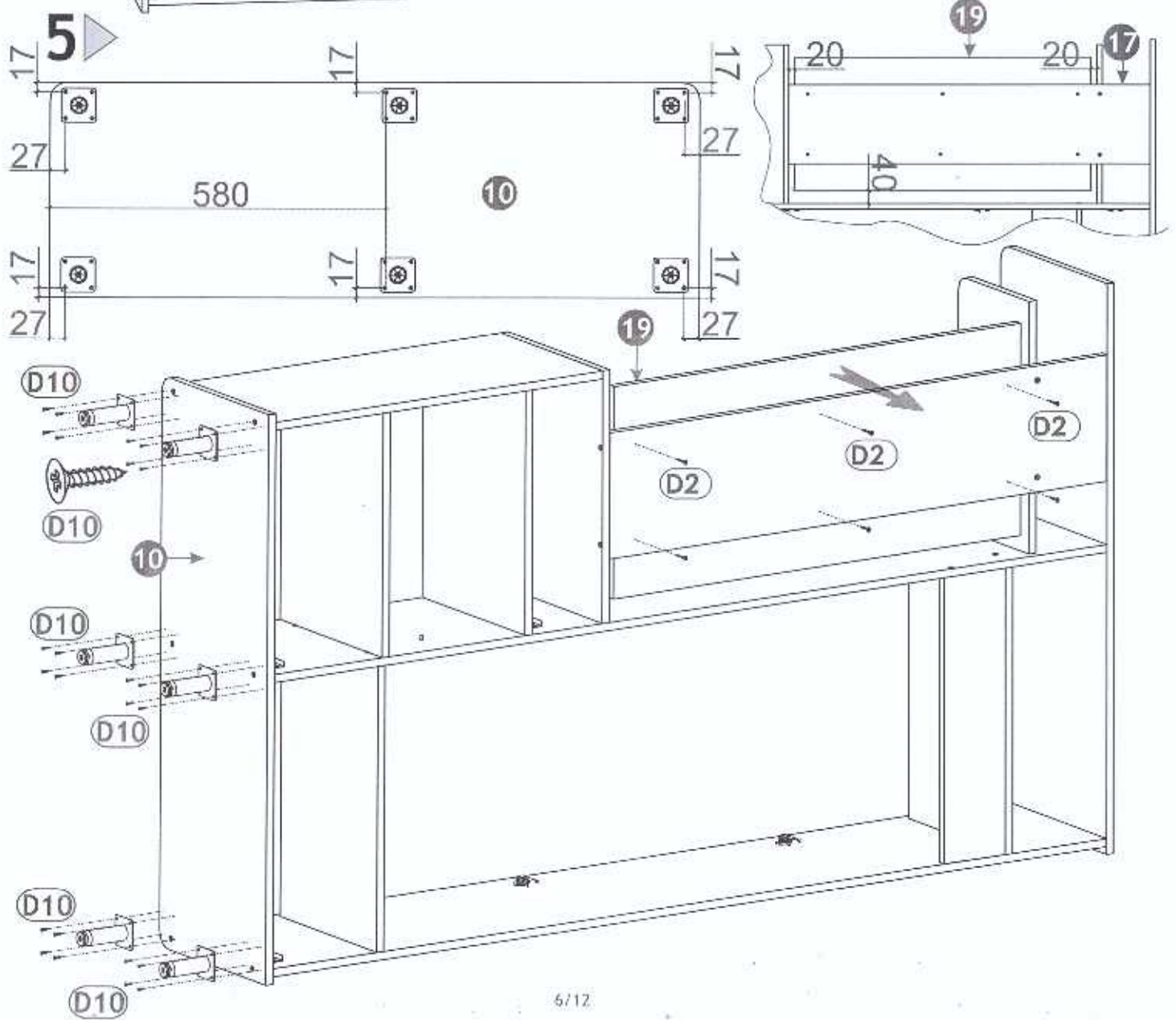
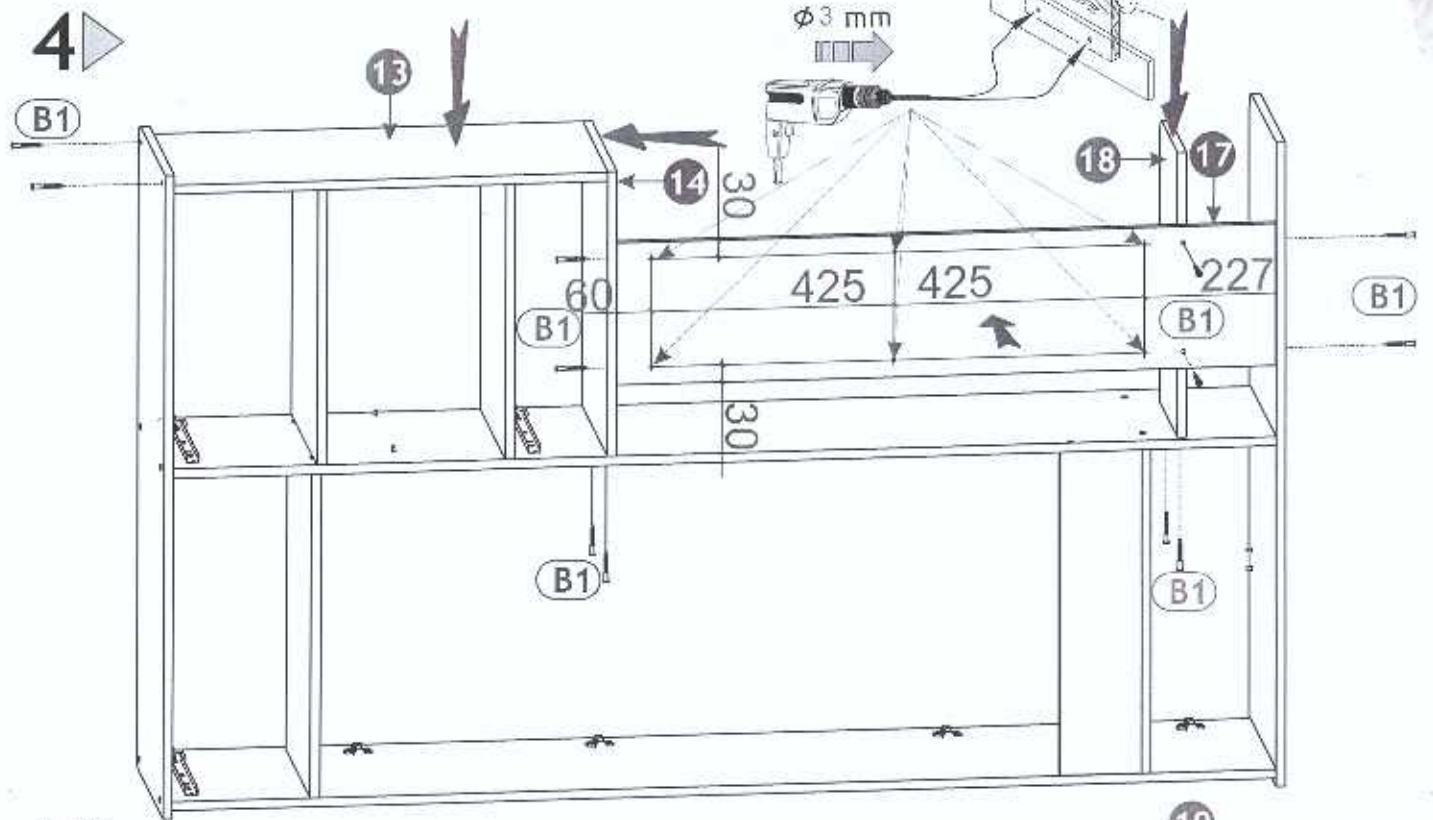


2 ▶

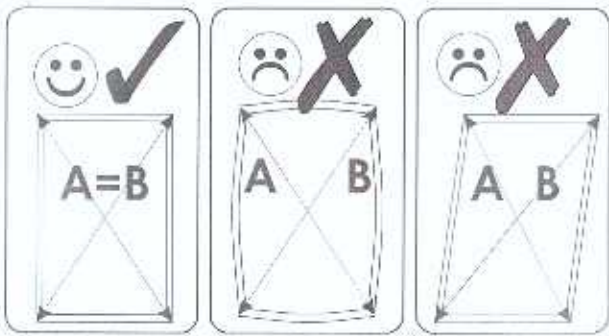
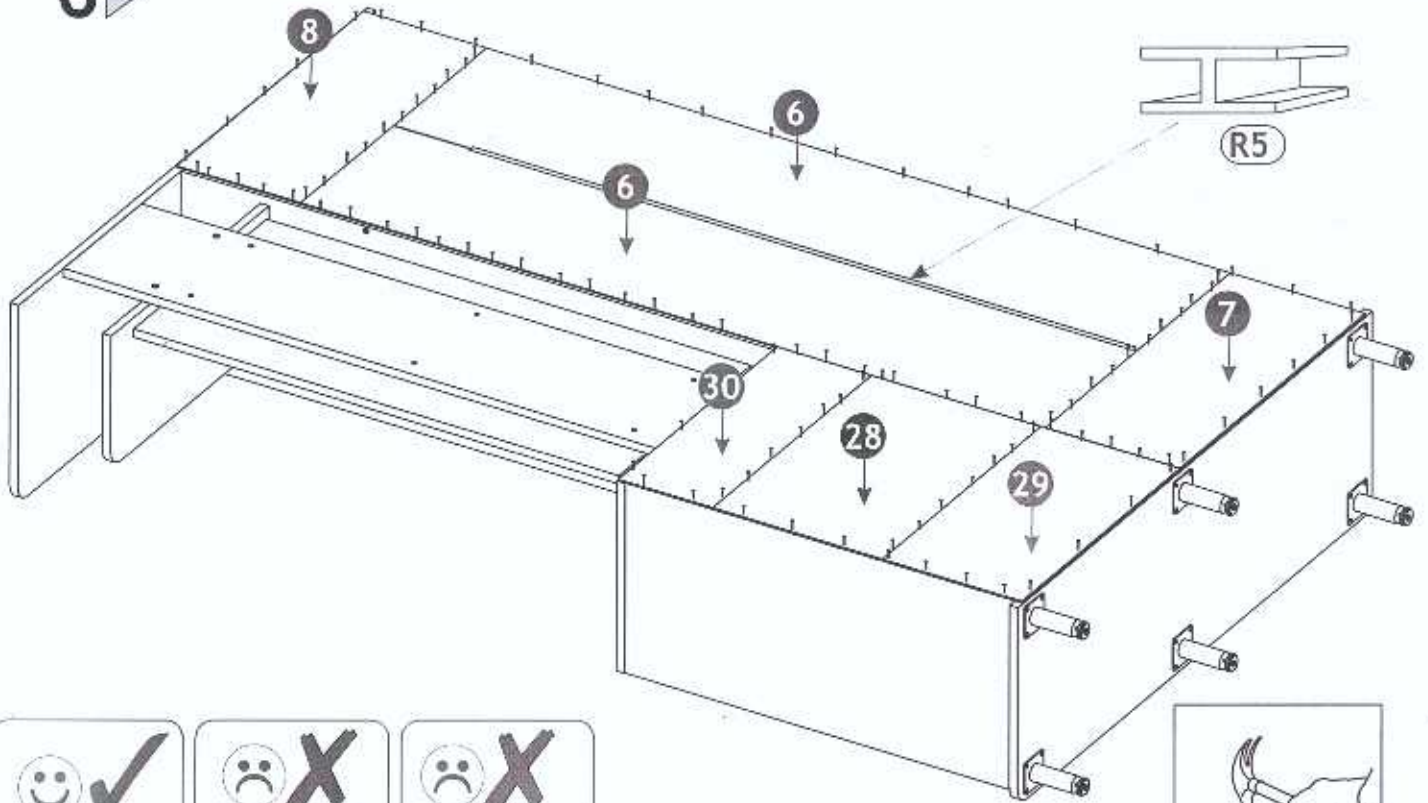


3 ▶

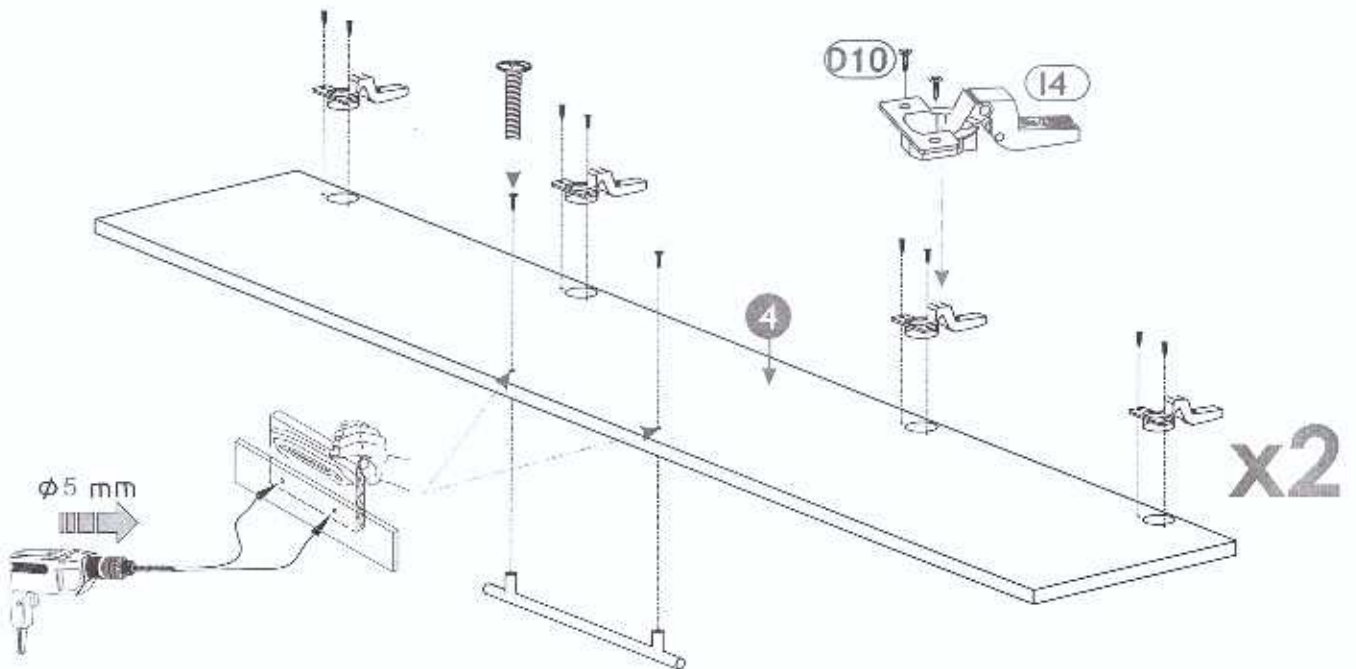




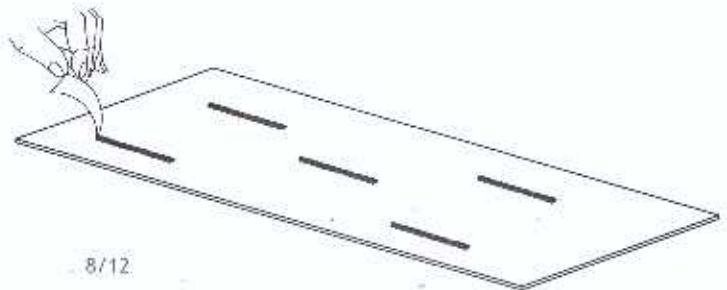
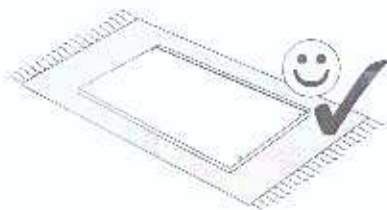
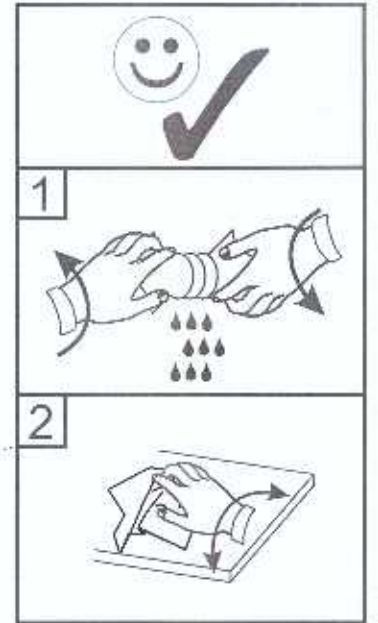
6 ▶



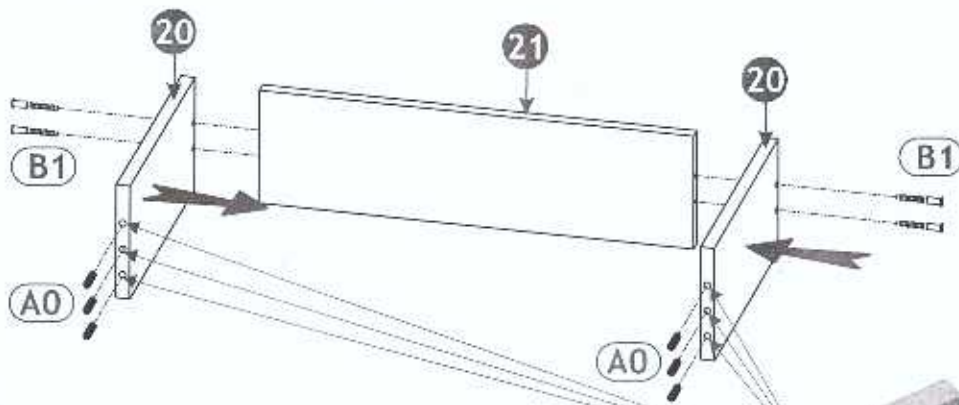
7 ▶



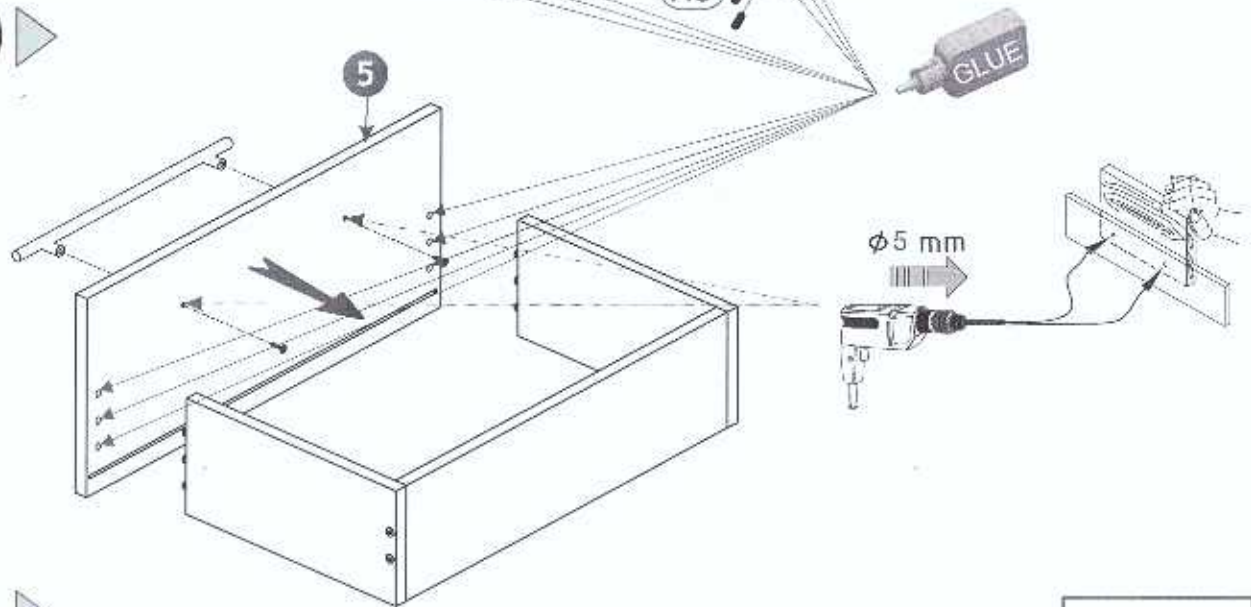
8 ▶



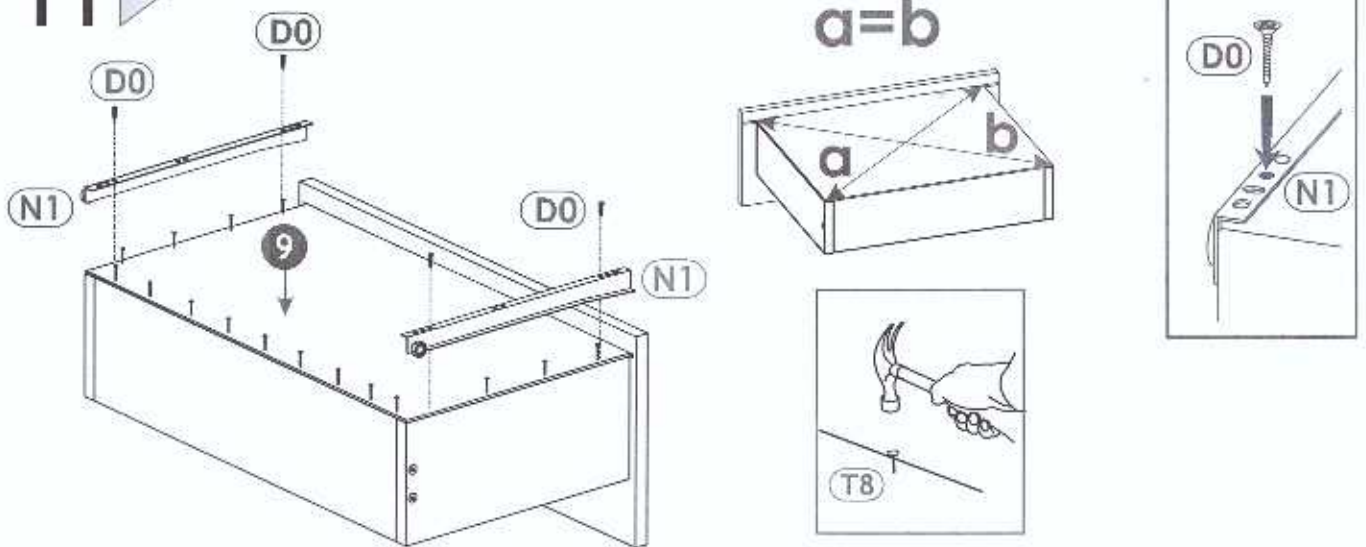
9 ▶



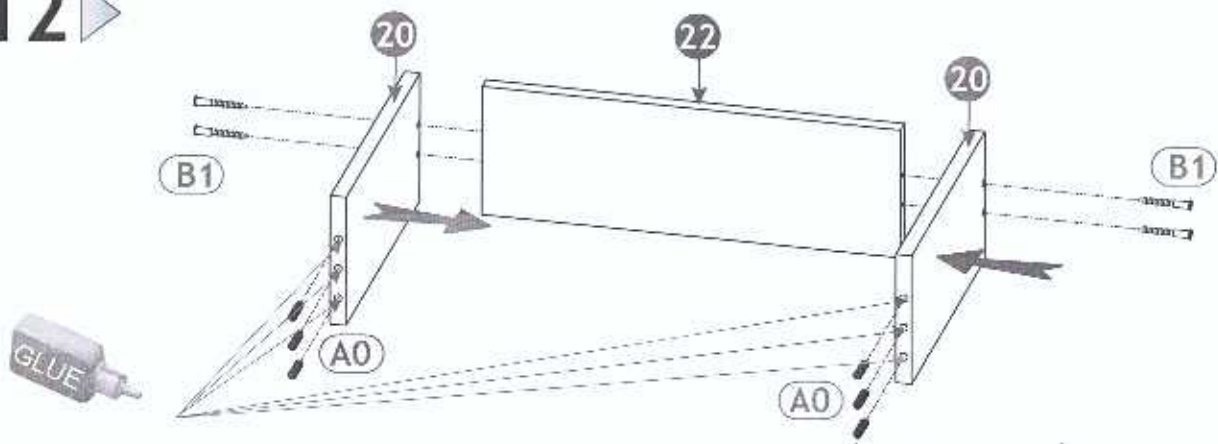
10 ▶



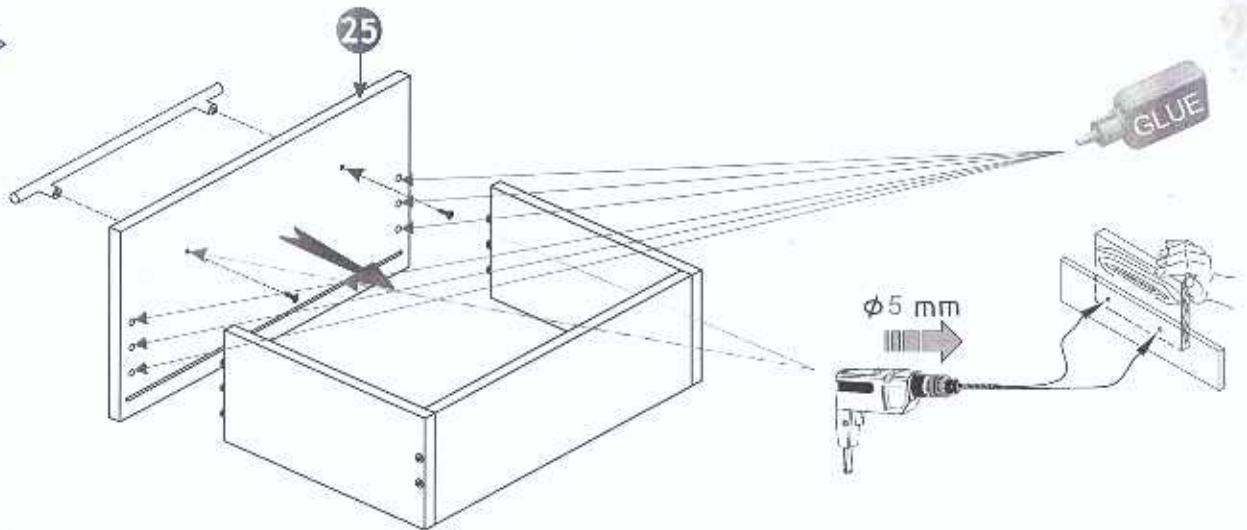
11 ▶



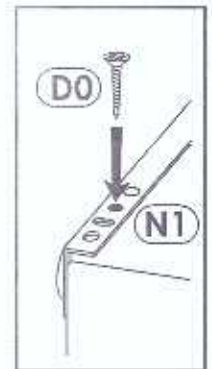
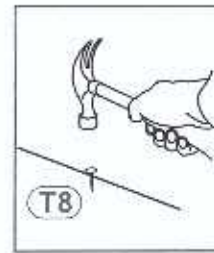
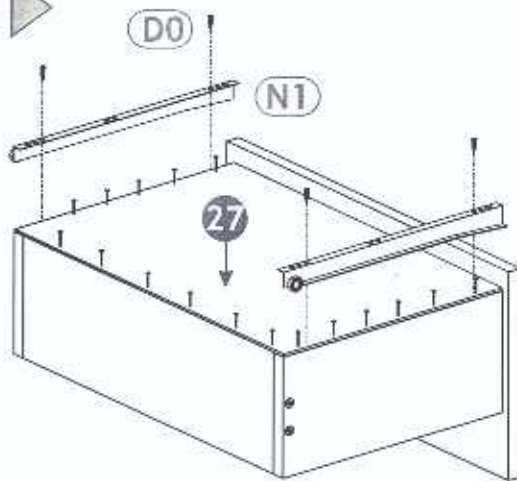
12 ▶



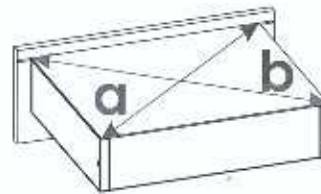
13 ▶



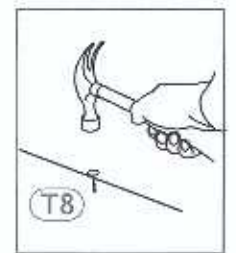
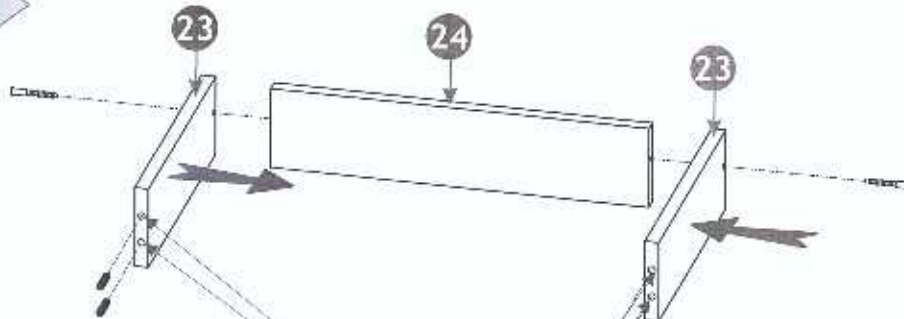
14 ▶



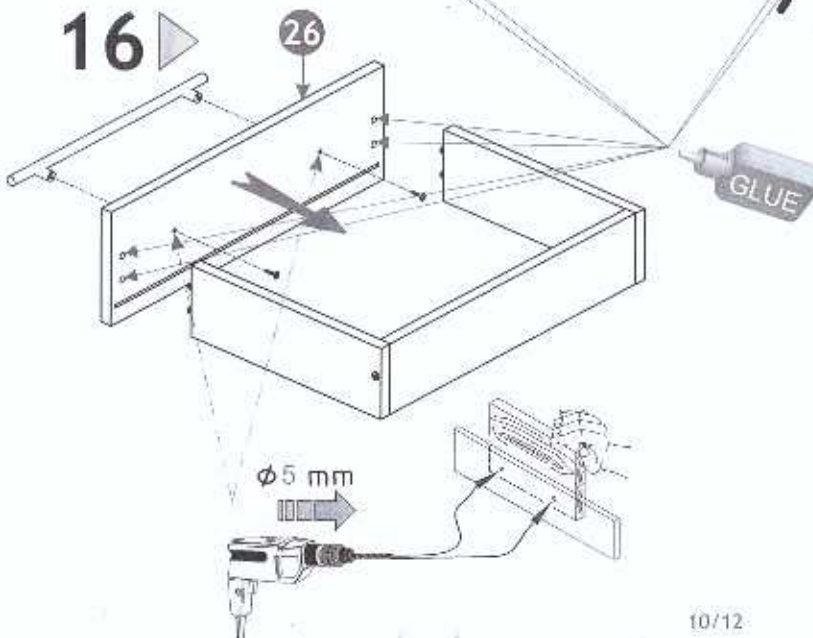
$a=b$



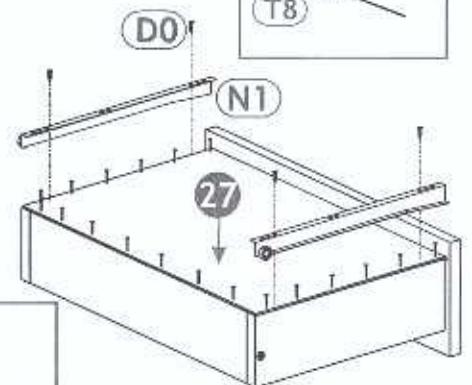
15 ▶



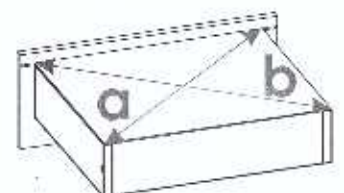
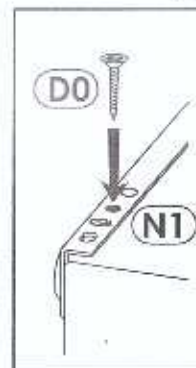
16 ▶

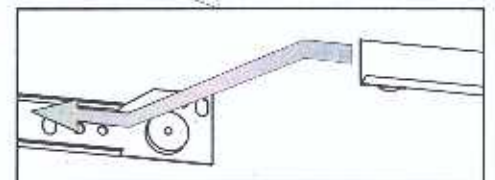
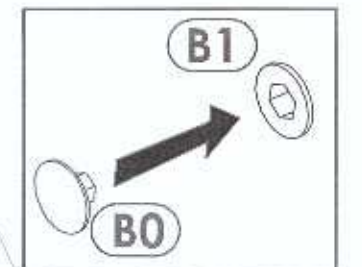
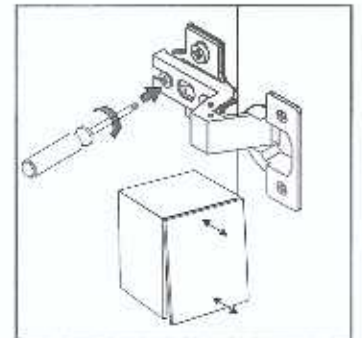
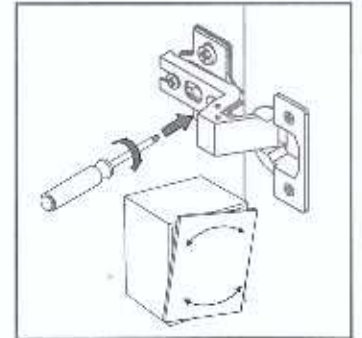
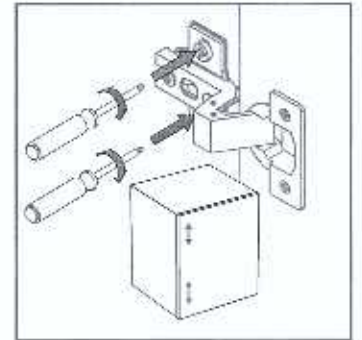
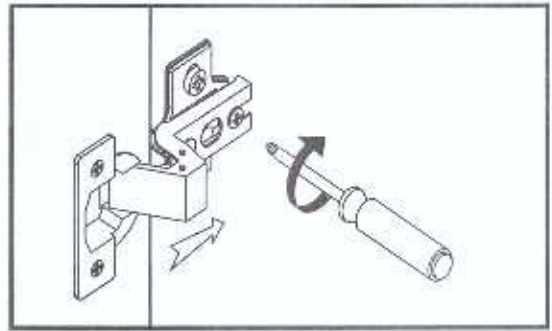


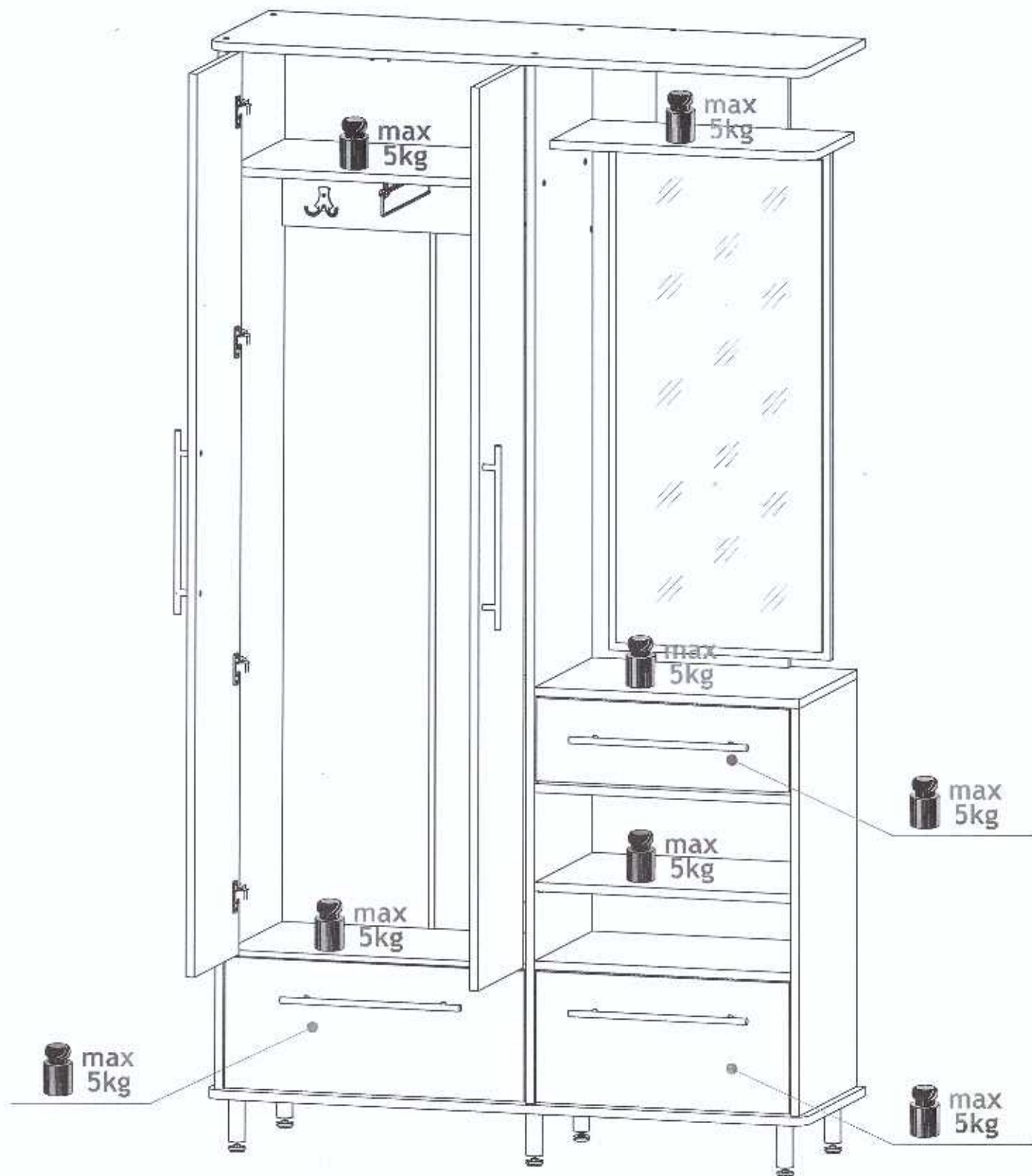
17 ▶



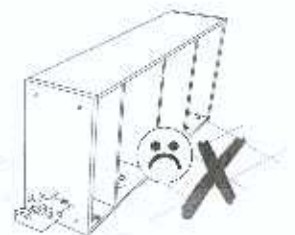
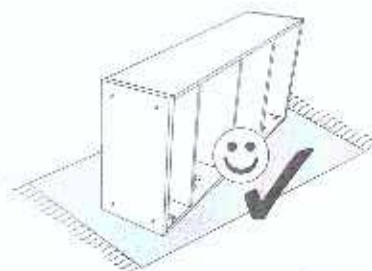
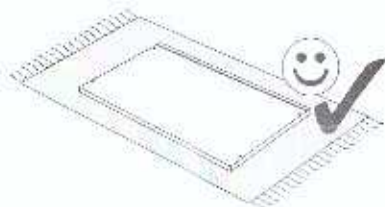
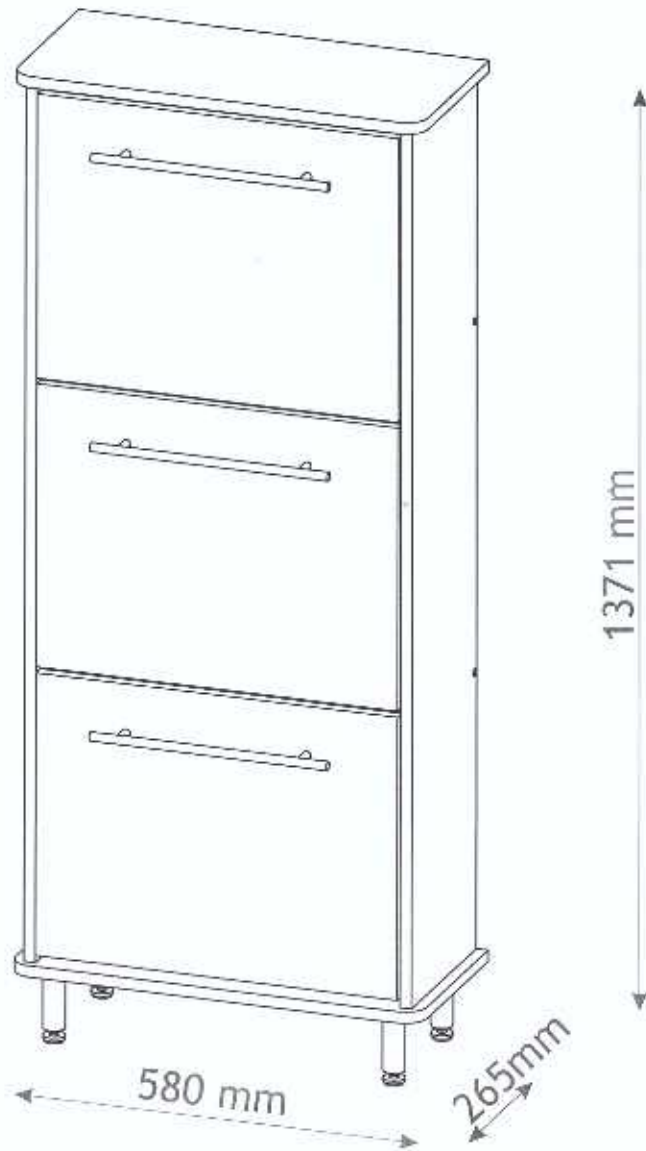
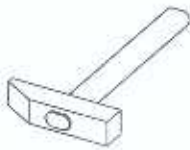
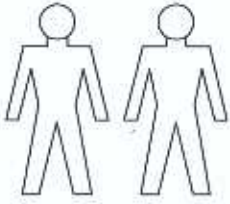
$a=b$





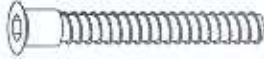







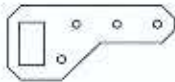
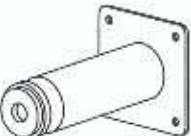




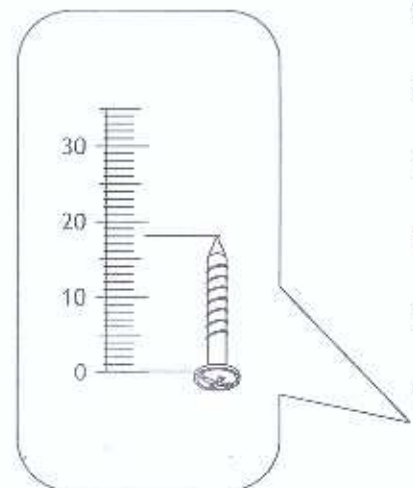
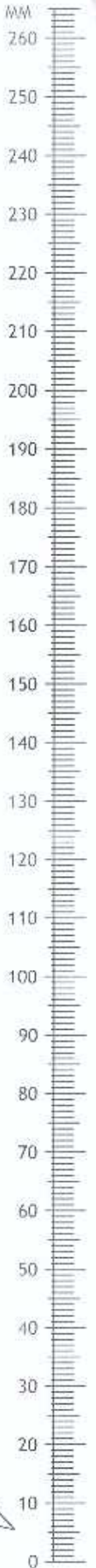


NIAGARA Shoe unit 580 3D



NIAGARA Shoe unit 580 3D

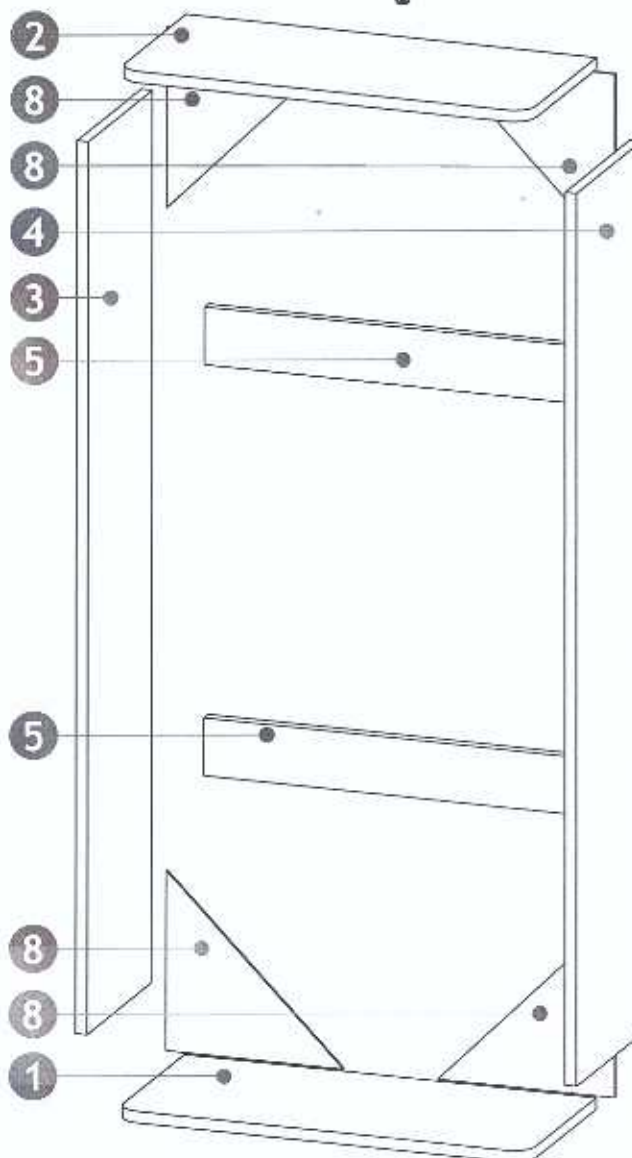
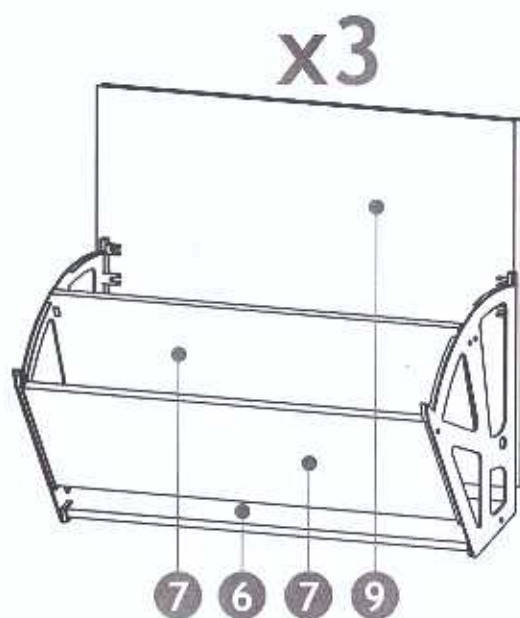
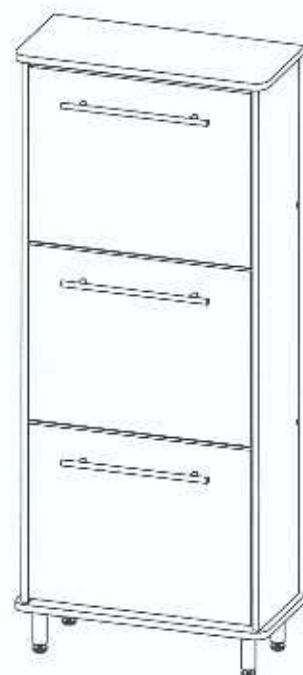
A0 8 x 32mm x14 	B0 x4 	B1 f 7 x 50 mm x8 
D0 3 x 15 mm x18 	D2 3 x 30 mm x6 	D10 4 x 16 mm x34 
D22 5 x 11 mm x6 	K 4mm x1 	T8 x20 
x3 	x2 	x4 
x3 	x3 	



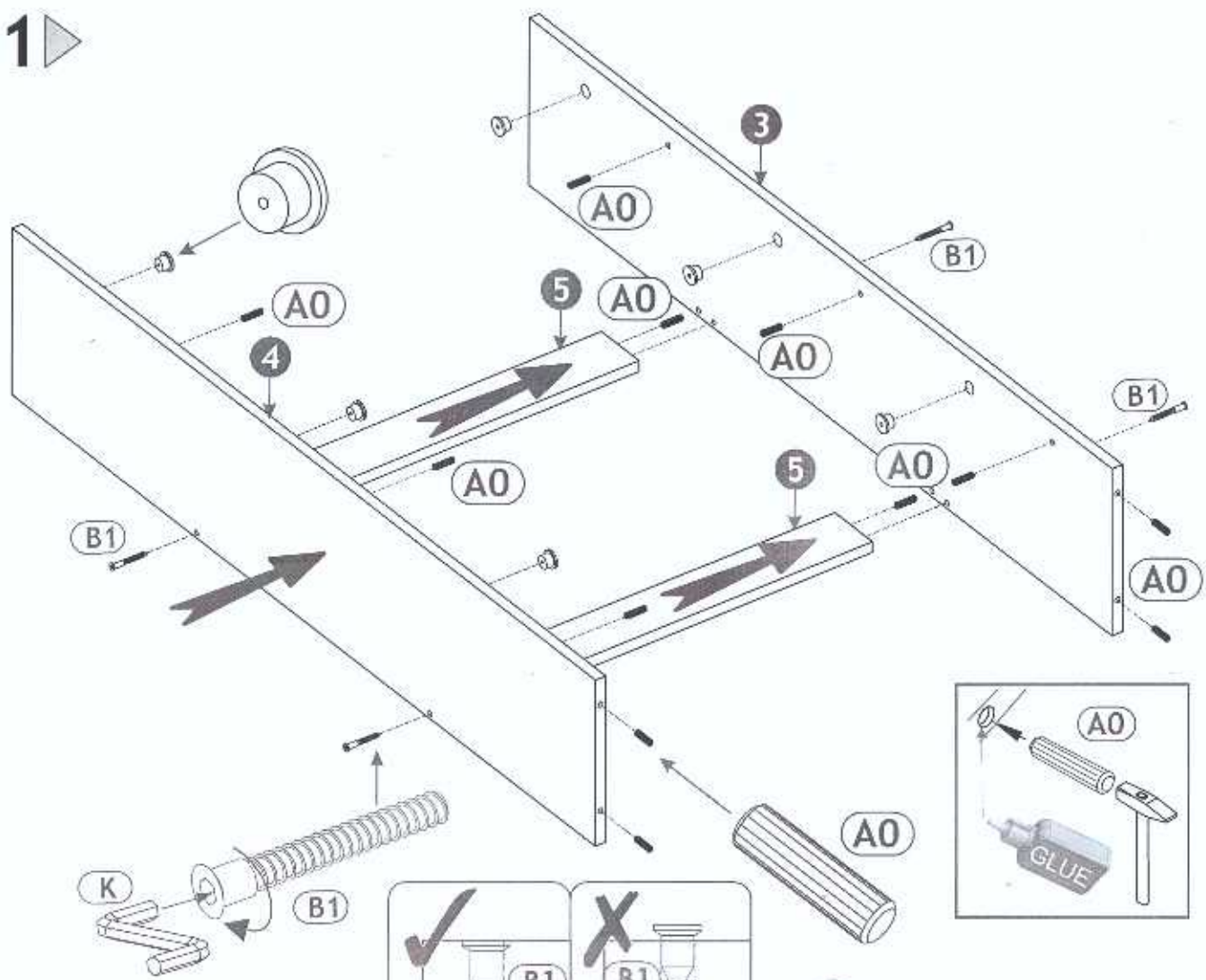
NIAGARA

Shoe unit 580 3D

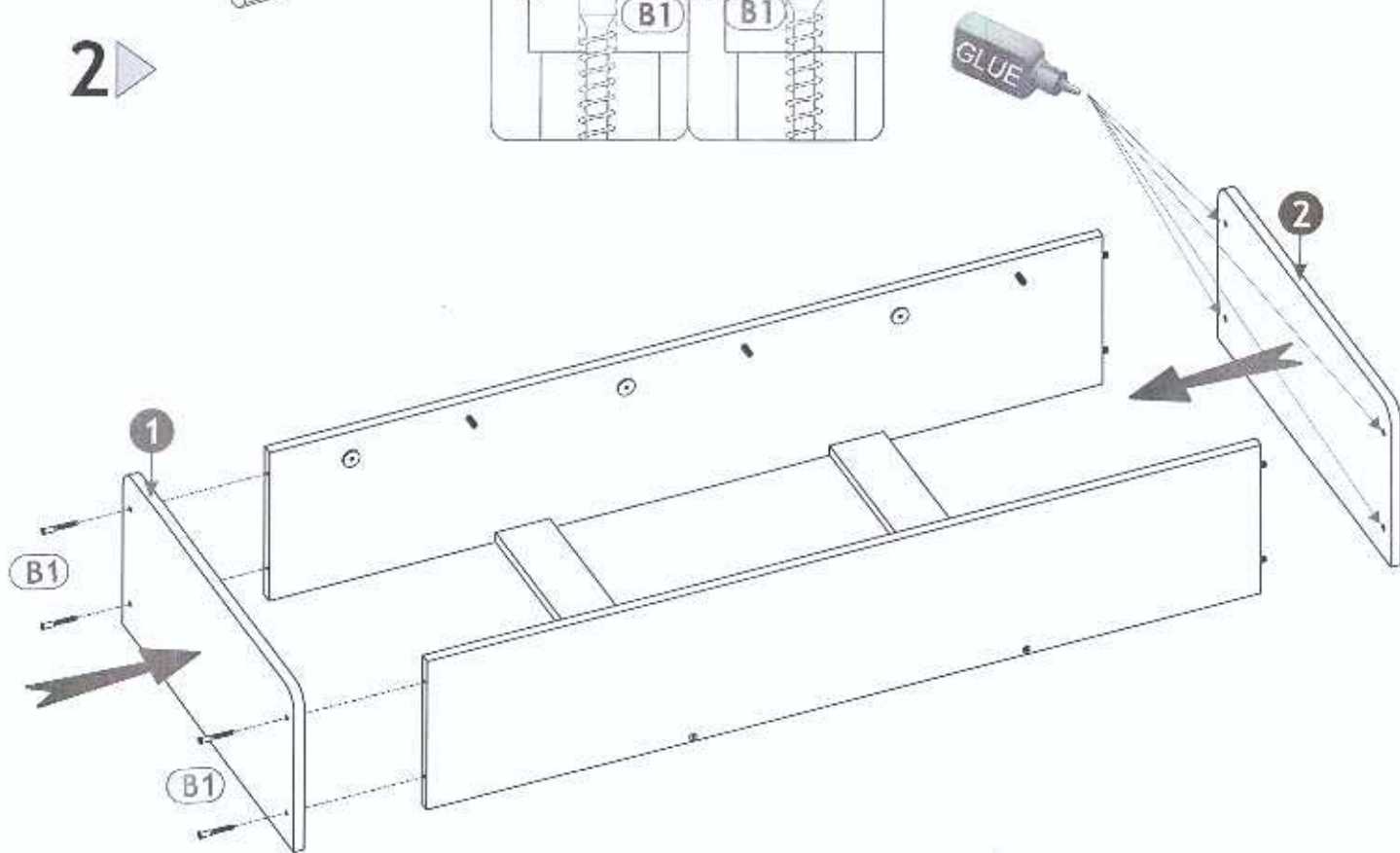
1	580	265	16	x1	1/2
2	580	265	16	x1	1/2
3	1239	250	16	x1	1/2
4	1239	250	16	x1	1/2
5	517	80	16	x2	1/2
6	504	90	16	x3	1/2
7	504	140	16	x6	1/2
8	250	250	2,5	x4	1/2
9	400	511	16	x3	2/2
					1/2



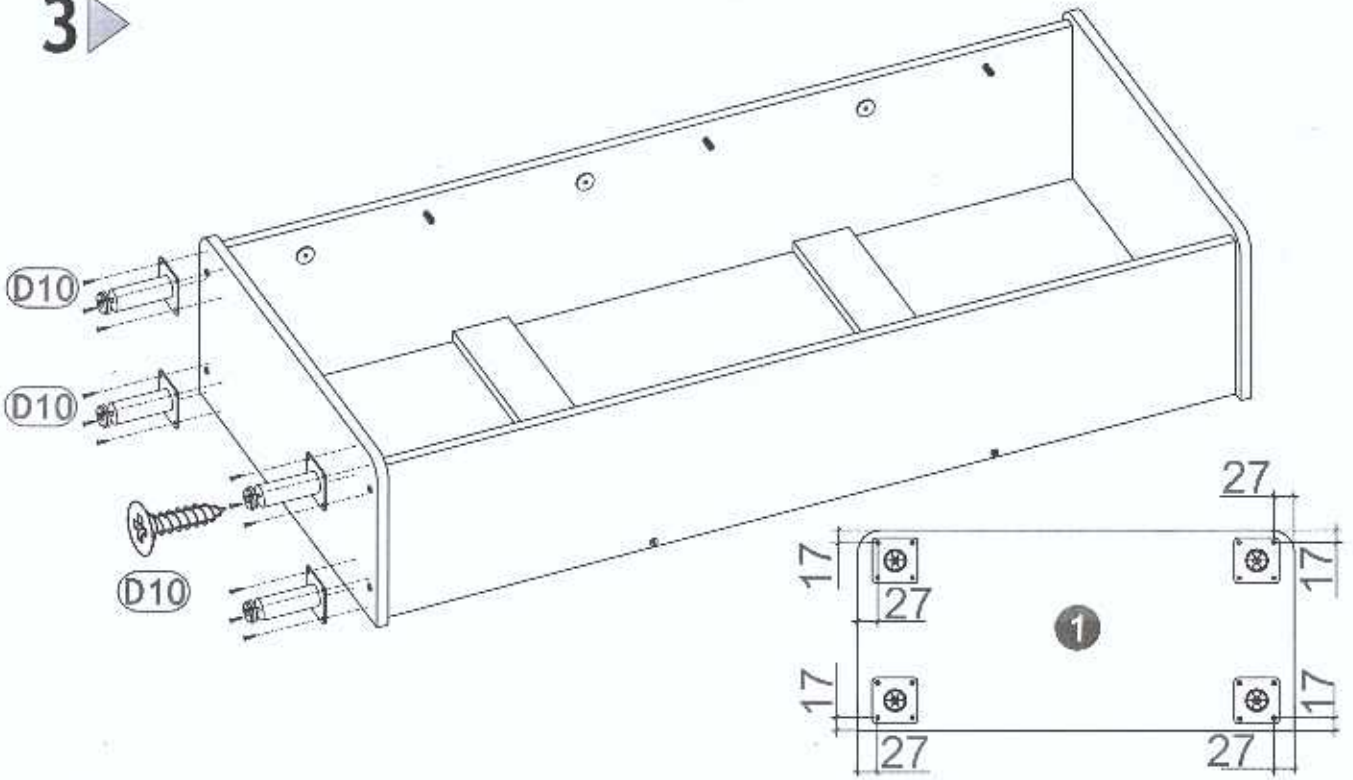
1 ▶



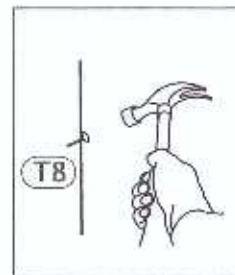
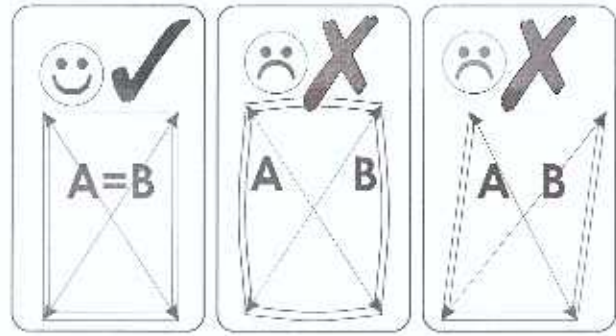
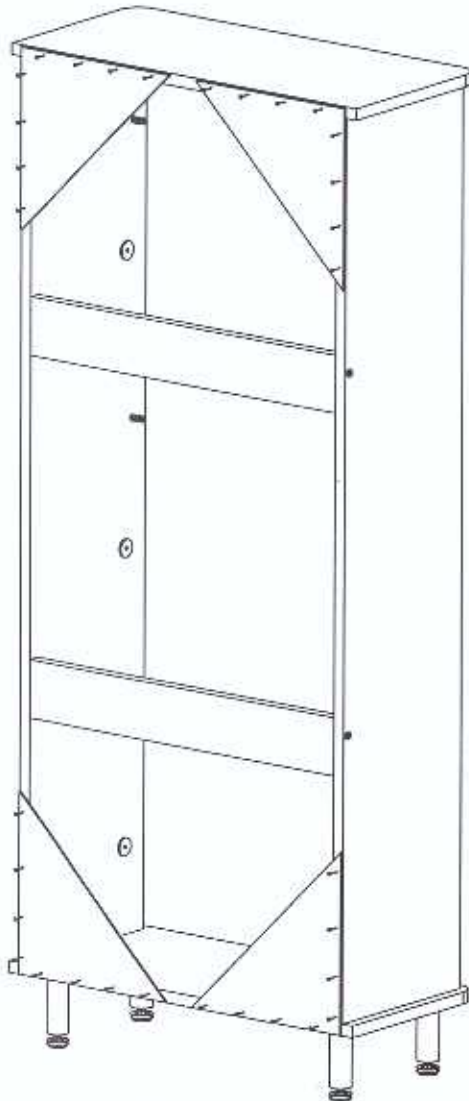
2 ▶

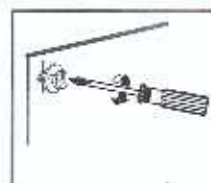
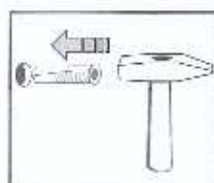
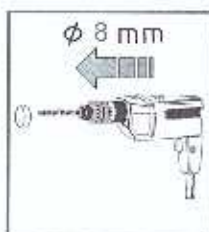
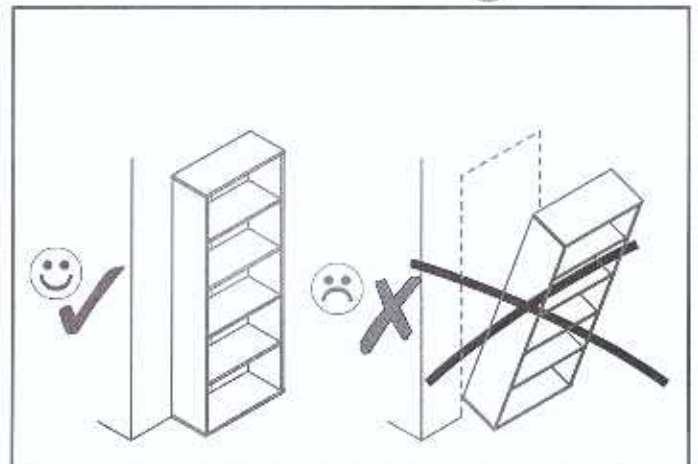
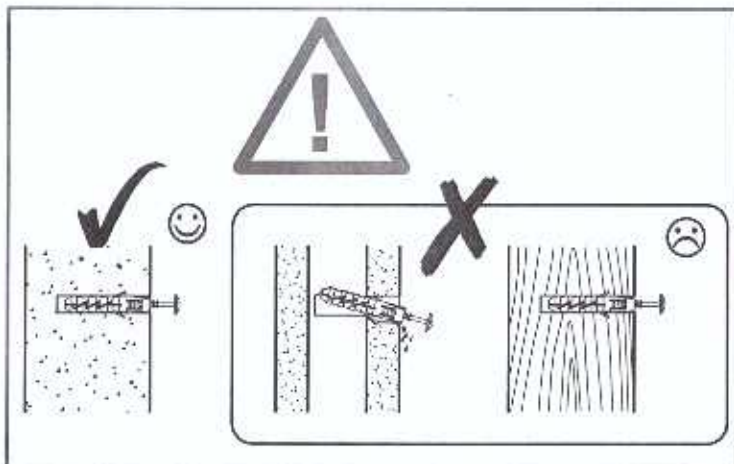
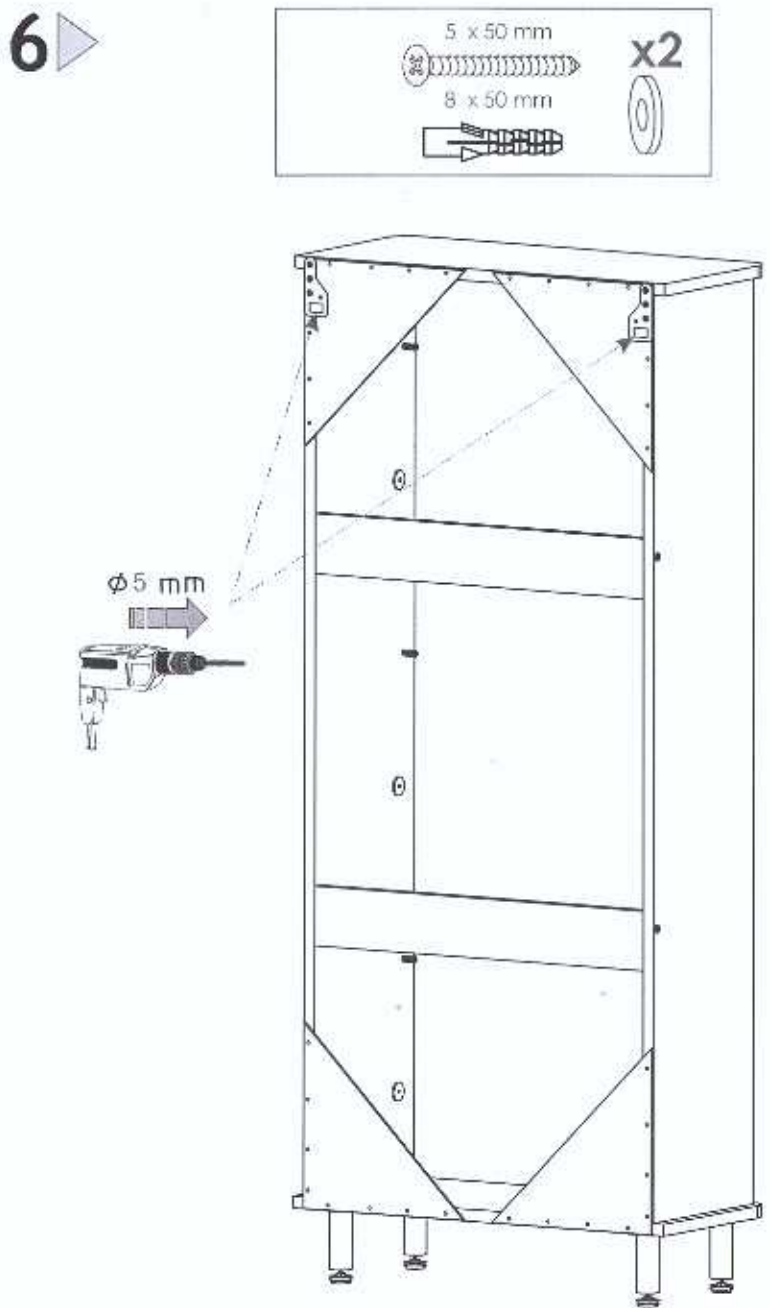


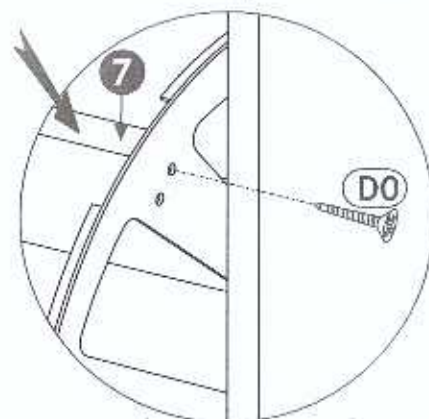
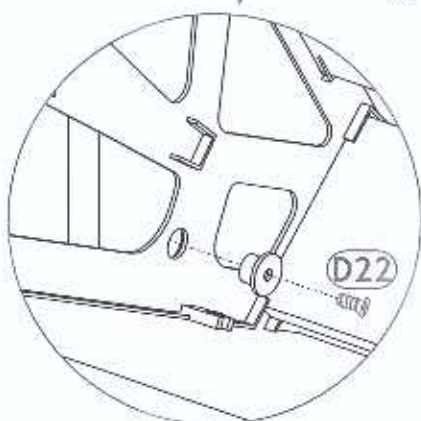
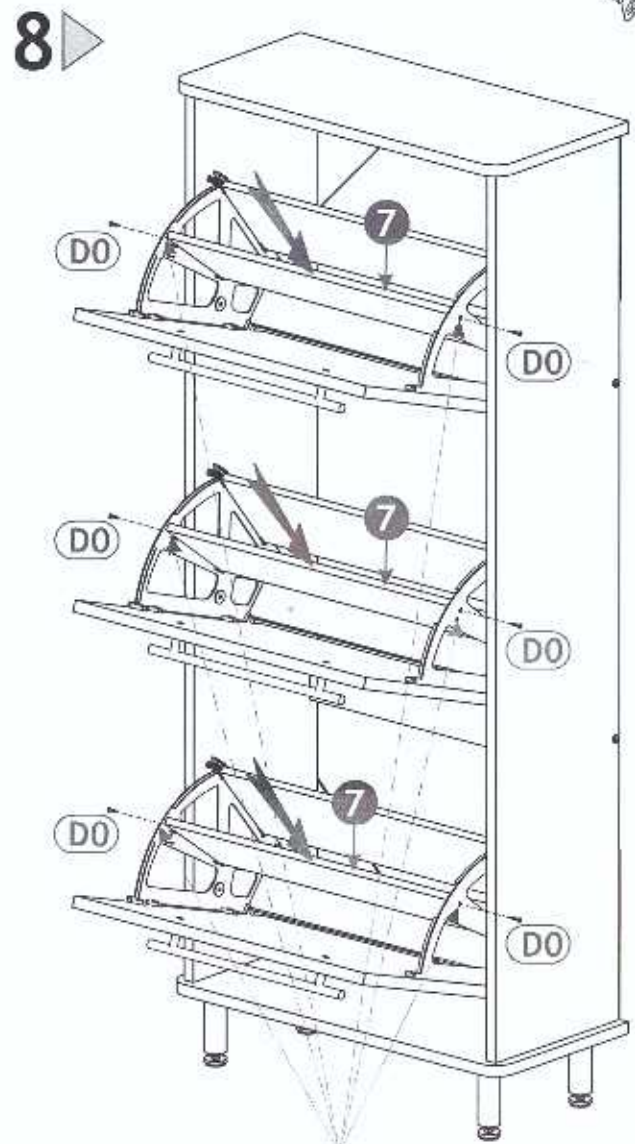
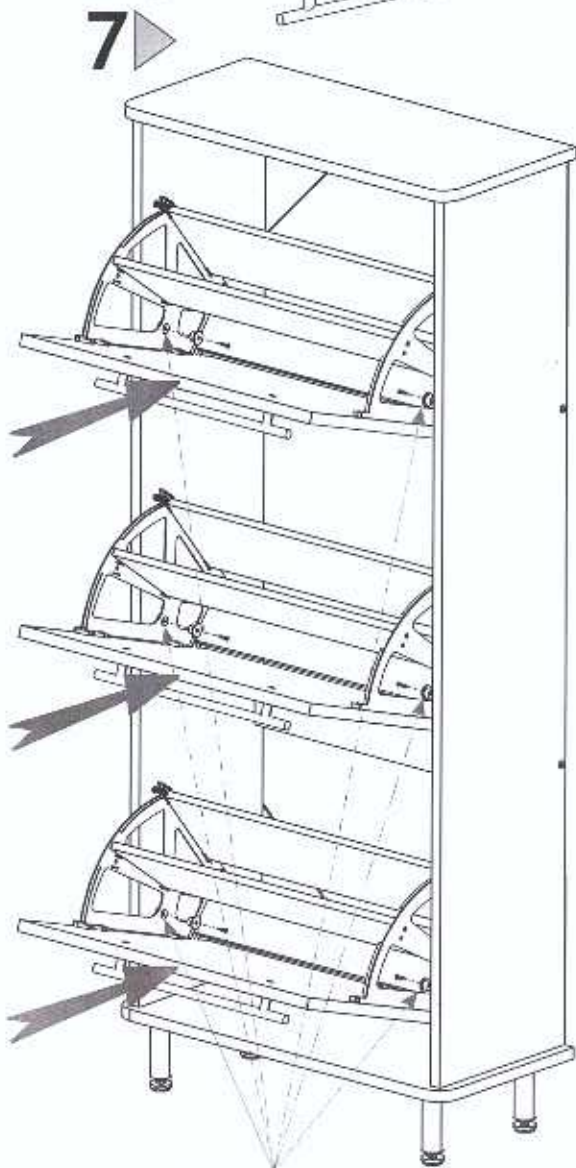
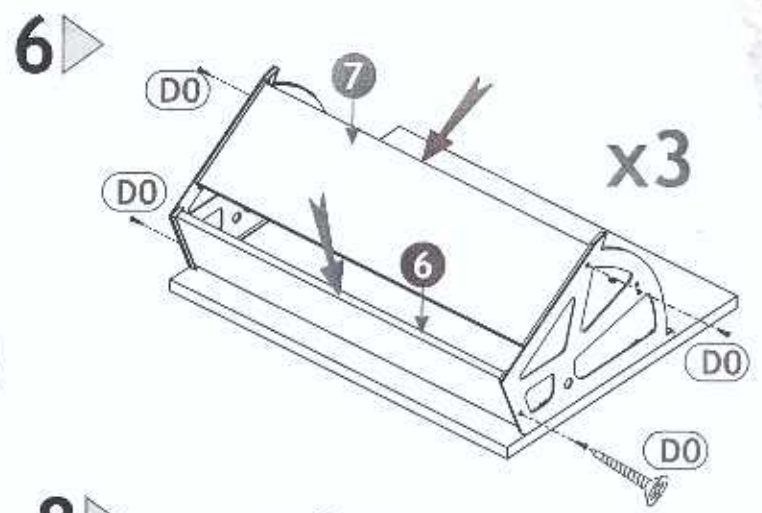
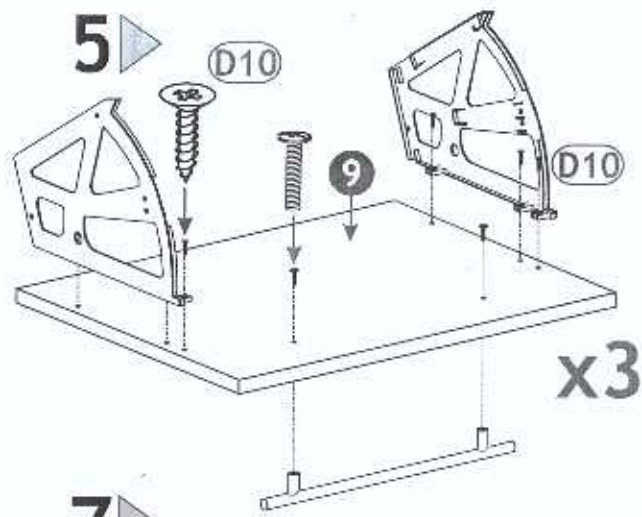
3 ▶



4 ▶







9 ▶

