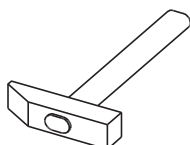
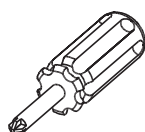
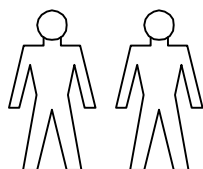
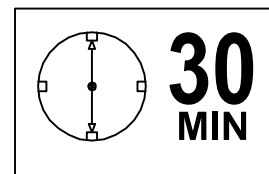
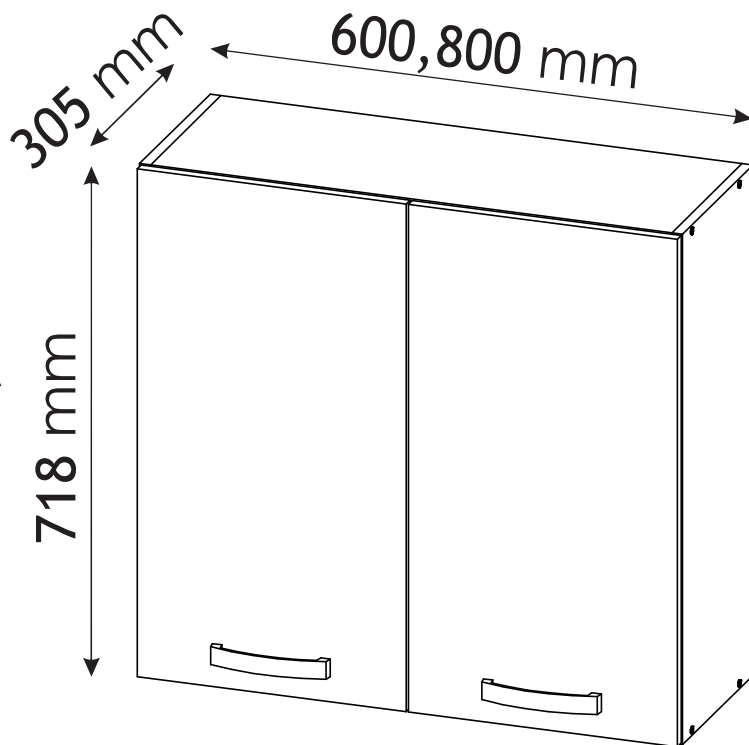


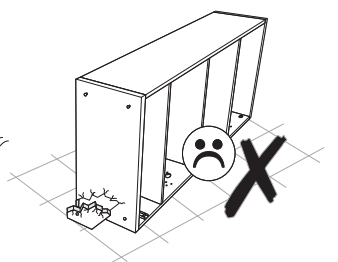
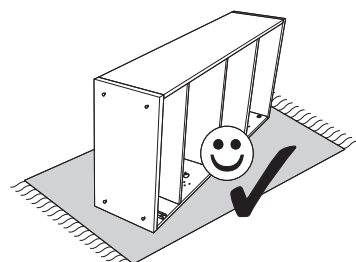
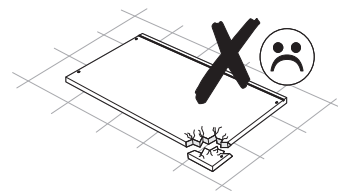
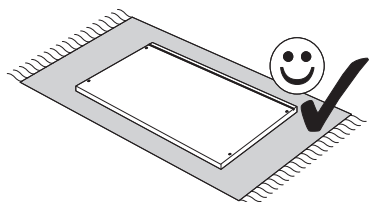
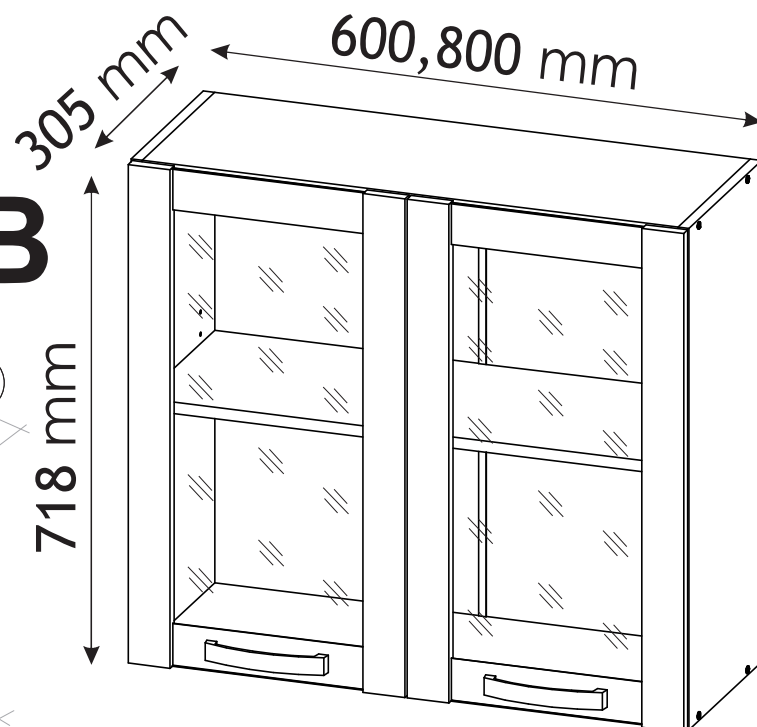
CHARLOTTE 60,80 UC 60,80 UDC



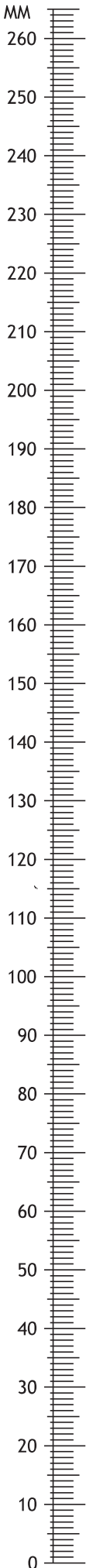
A




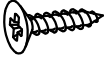

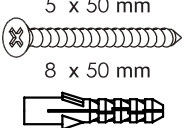

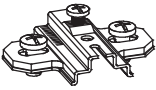

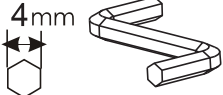
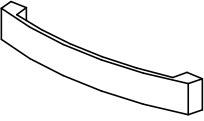
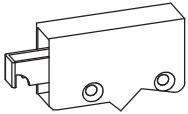

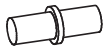




B




CHARLOTTE 60,80 UC 60,80 UDC






A0 8 x 32mm x4 	B1 f 7 x 50 mm x8 	B0 x4 
D10 4 x 16 mm x8 	D13 4 x 30 mm x4 	E0 5 x 50 mm 8 x 50 mm x4 
H0 x2 	J6 x4 	J8 x4 
K 4mm x1 	L22 x2 	P4 x2 
P5 x2 	Q0 x4 	R5 x1 L- 685mm. 
T8 x40 		

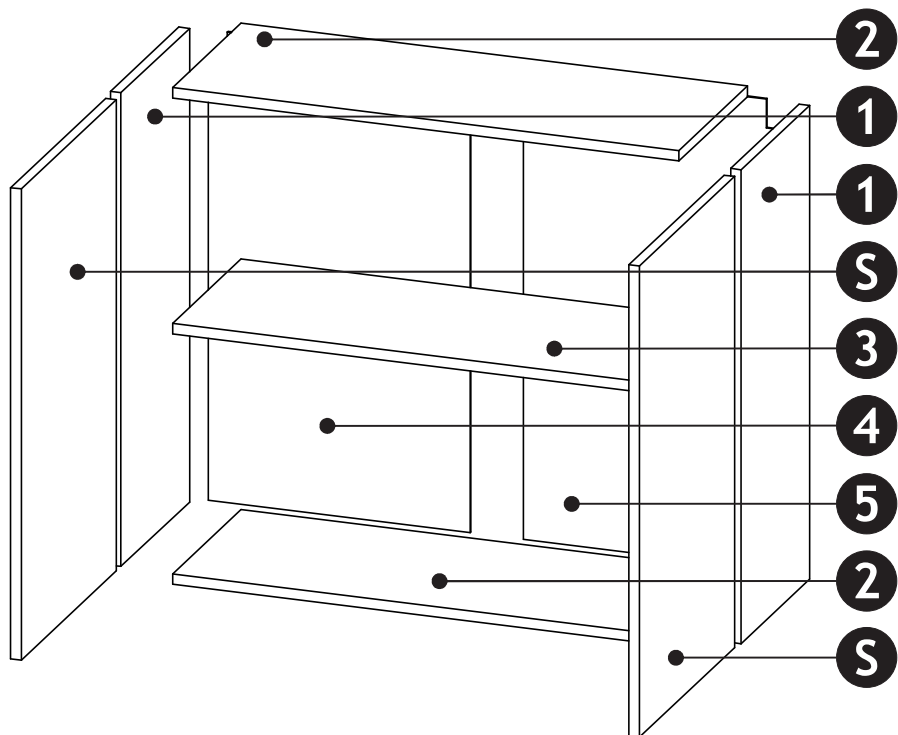
60,80 UC

H2 4 x 22 mm x4 
--


60,80 UDC

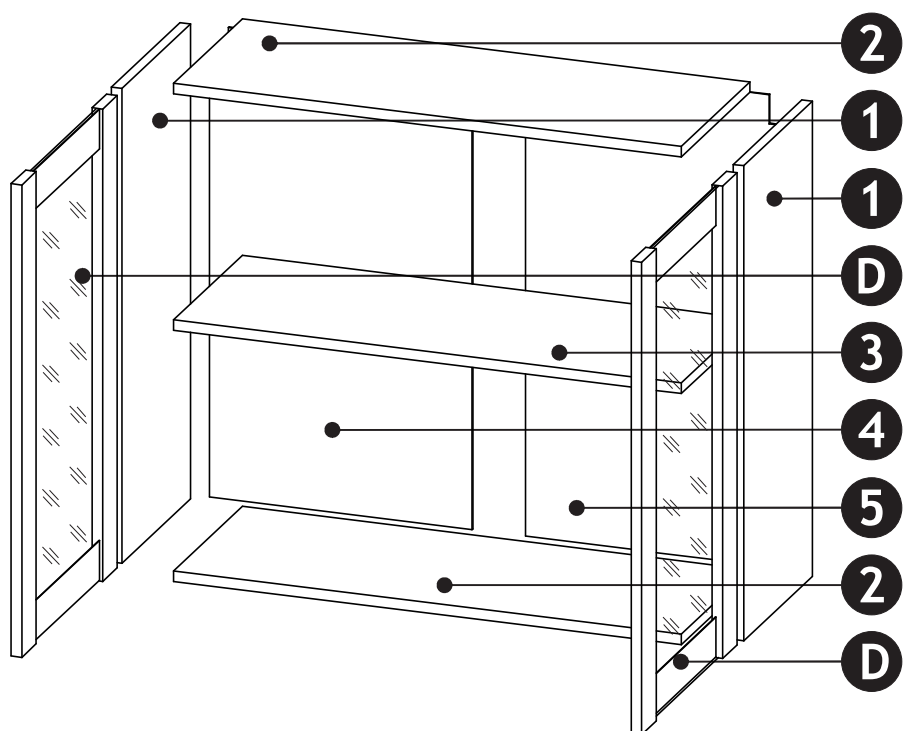
H7 4 x 10 mm x4 	U1 x4 
U3 x4 	

CHARLOTTE 60,80 UC 60,80 UDC




600

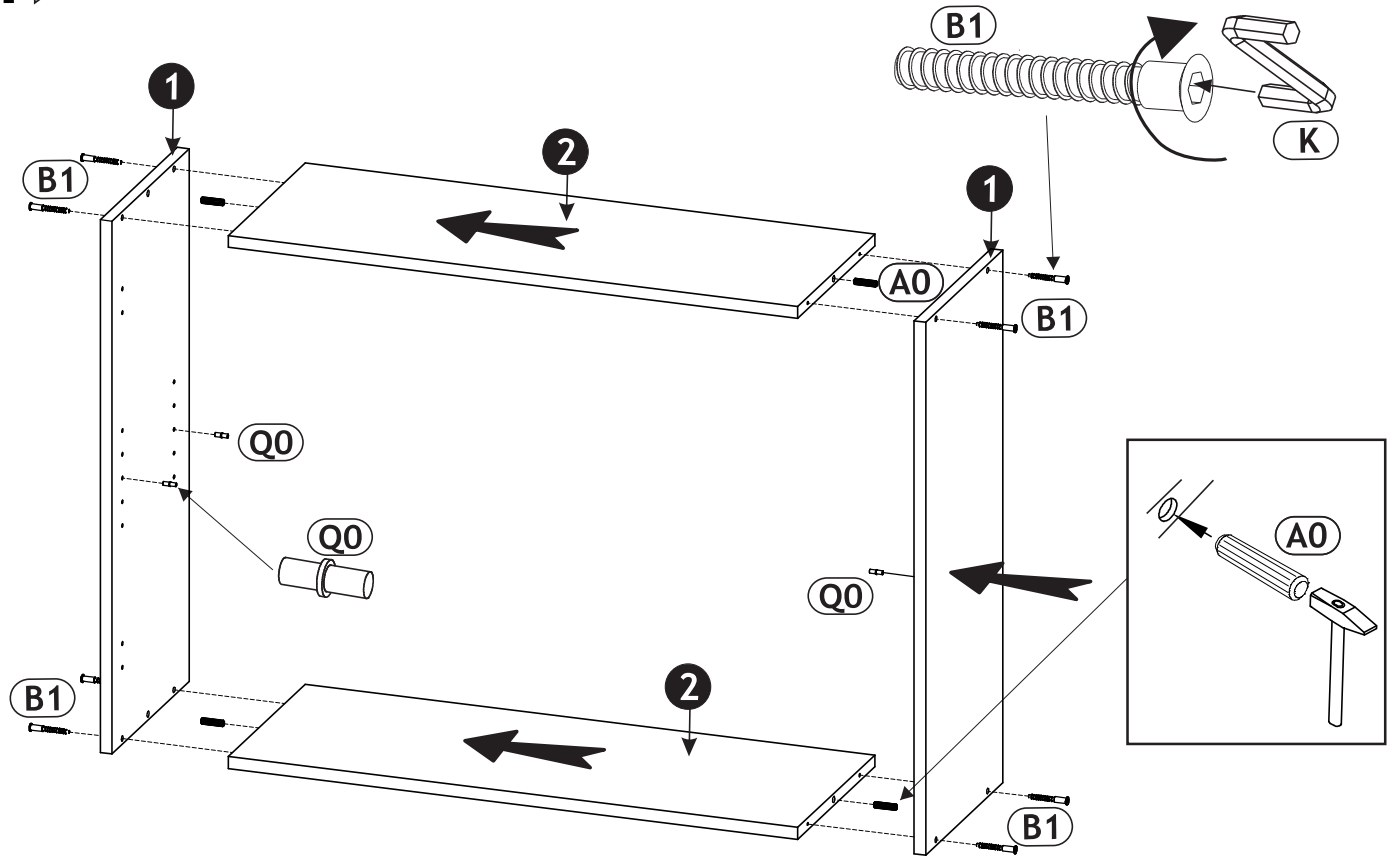
1	718	285	16 x2	1/1
2	567	285	16 x2	1/1
3	566	280	16 x1	1/1
				1/1
4	713	297	2.5 x1	1/1
5	713	297	2.5 x1	1/1
D S	714	297	16 x2	1/1



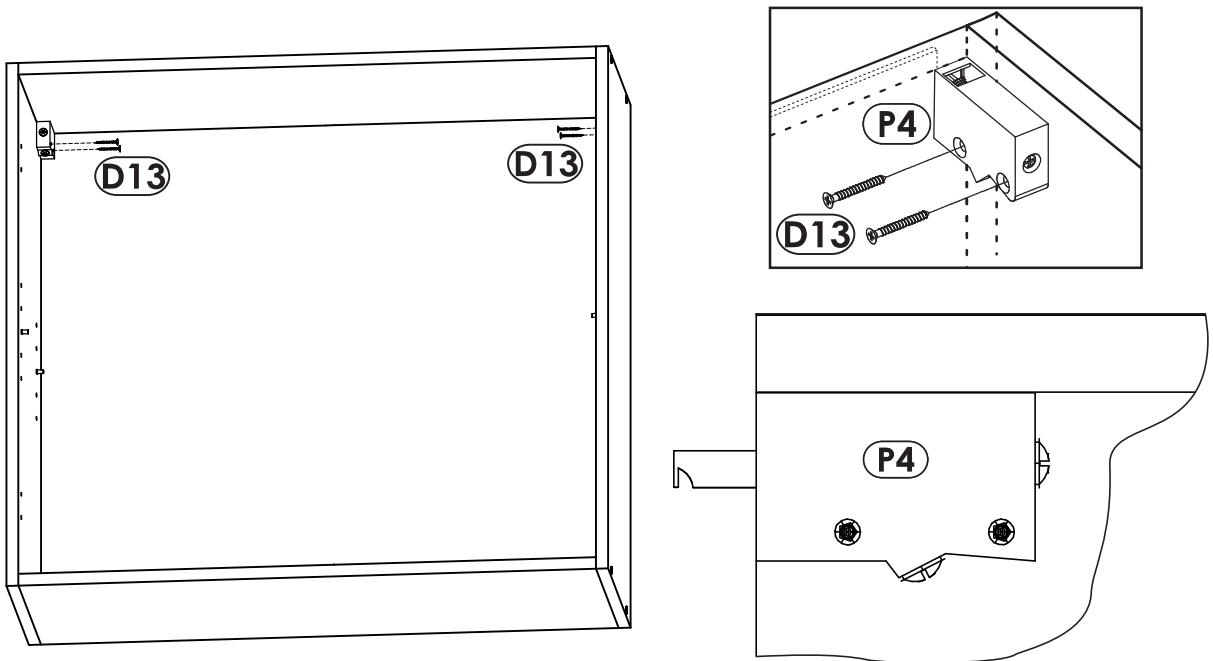
800

1	718	285	16 x2	1/1
2	767	285	16 x2	1/1
3	766	280	16 x1	1/1
				1/1
4	713	397	2.5 x1	1/1
5	713	397	2.5 x1	1/1
D S	714	397	16 x2	1/1

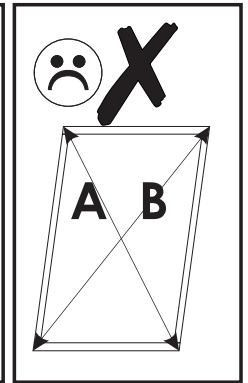
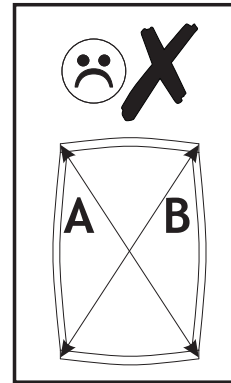
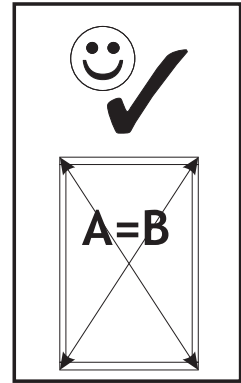
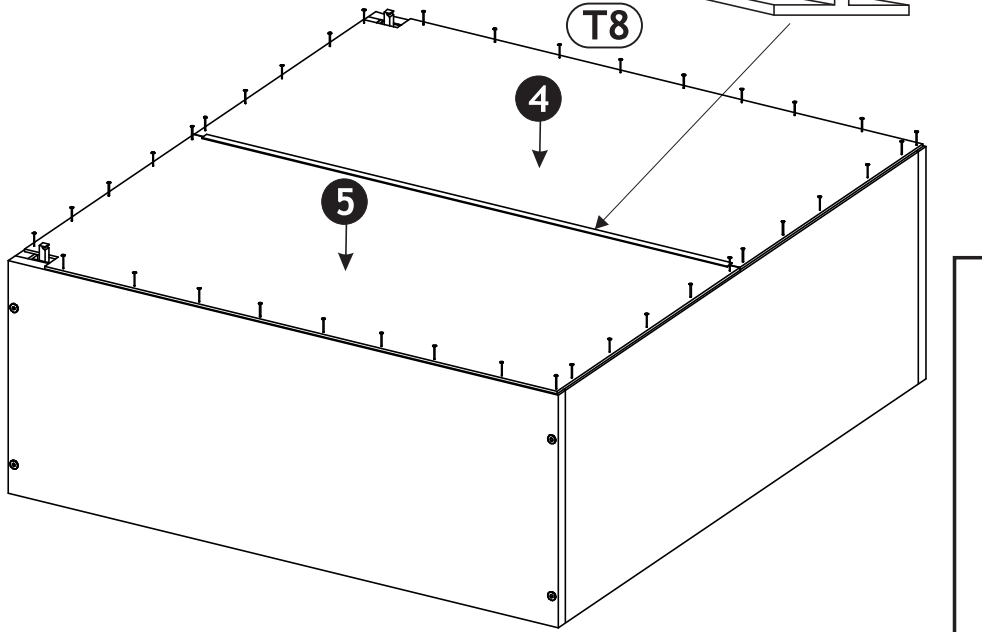
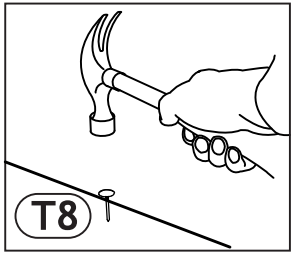
1 ▶



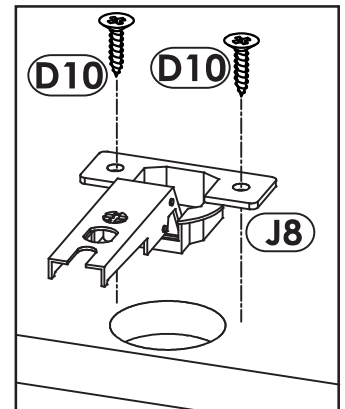
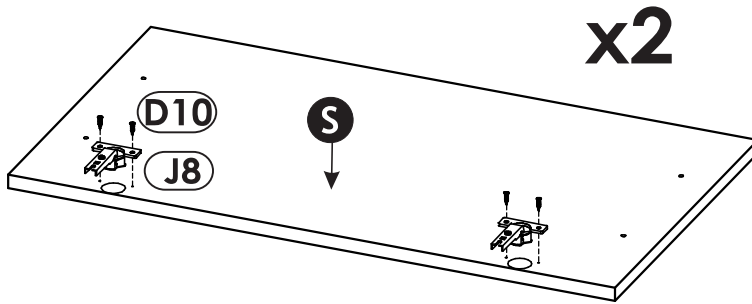
2 ▶



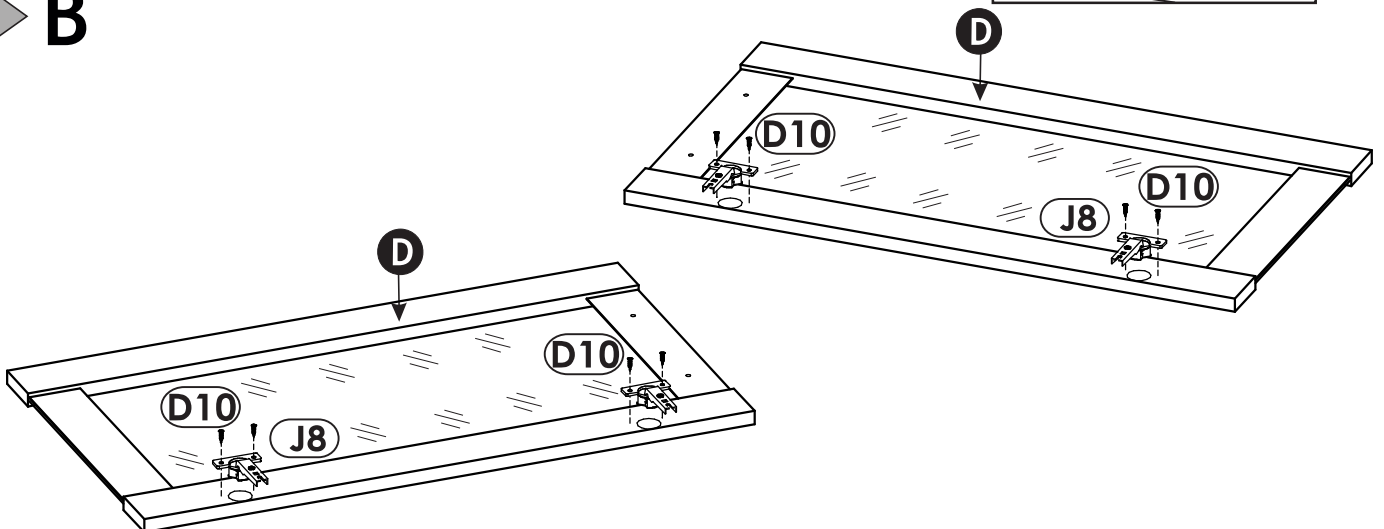
3 ▶



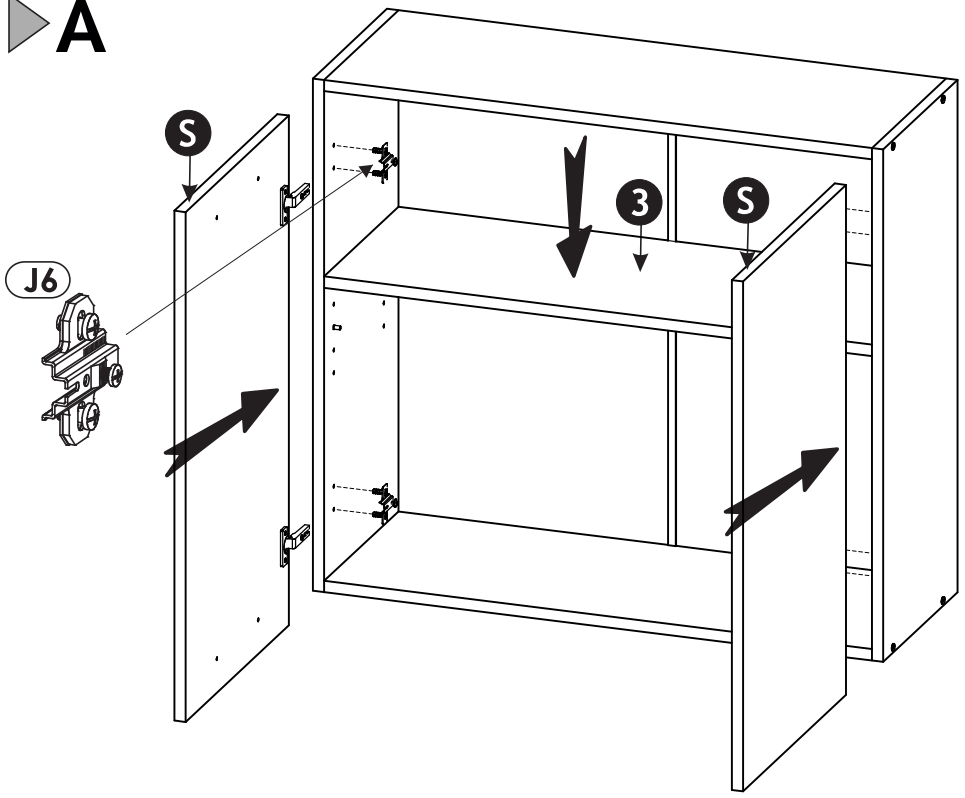
4 ▶ A



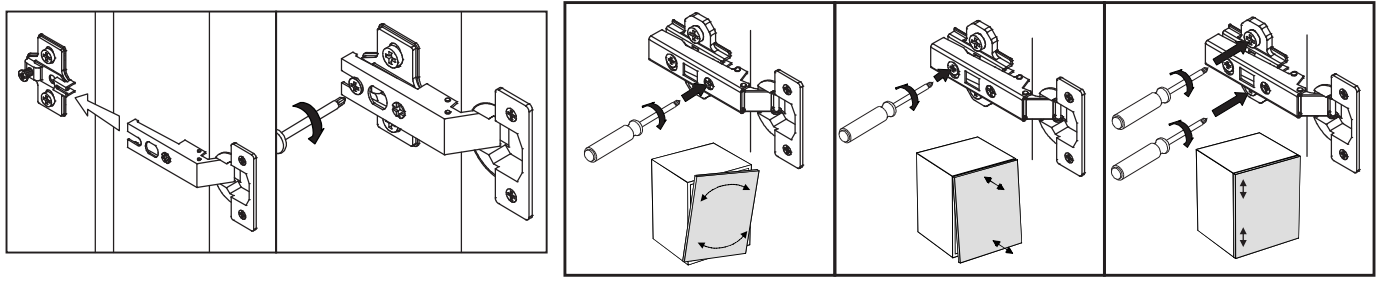
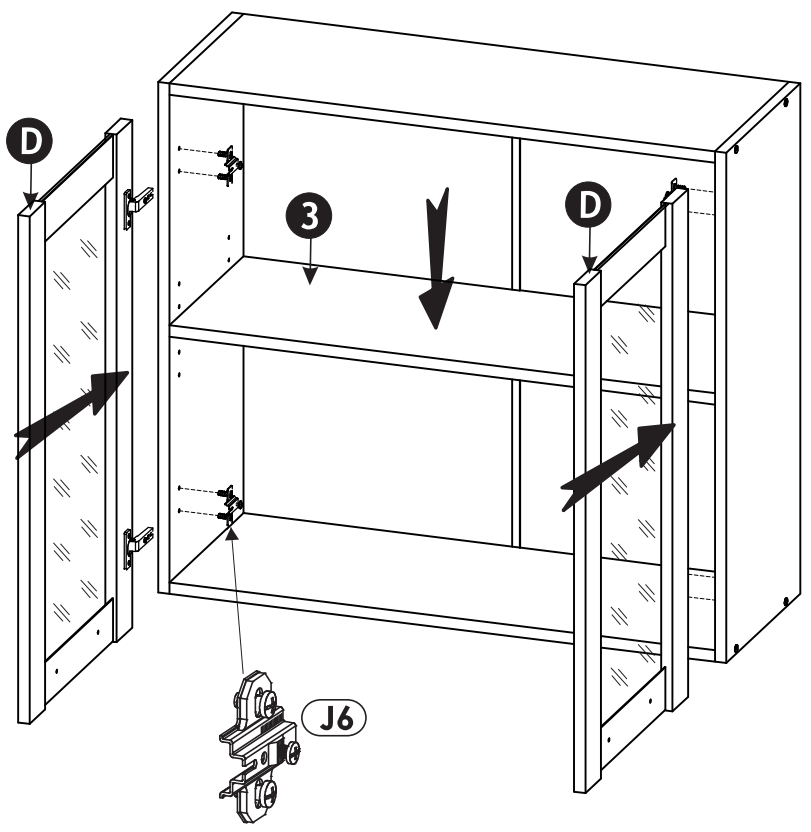
4 ▶ B



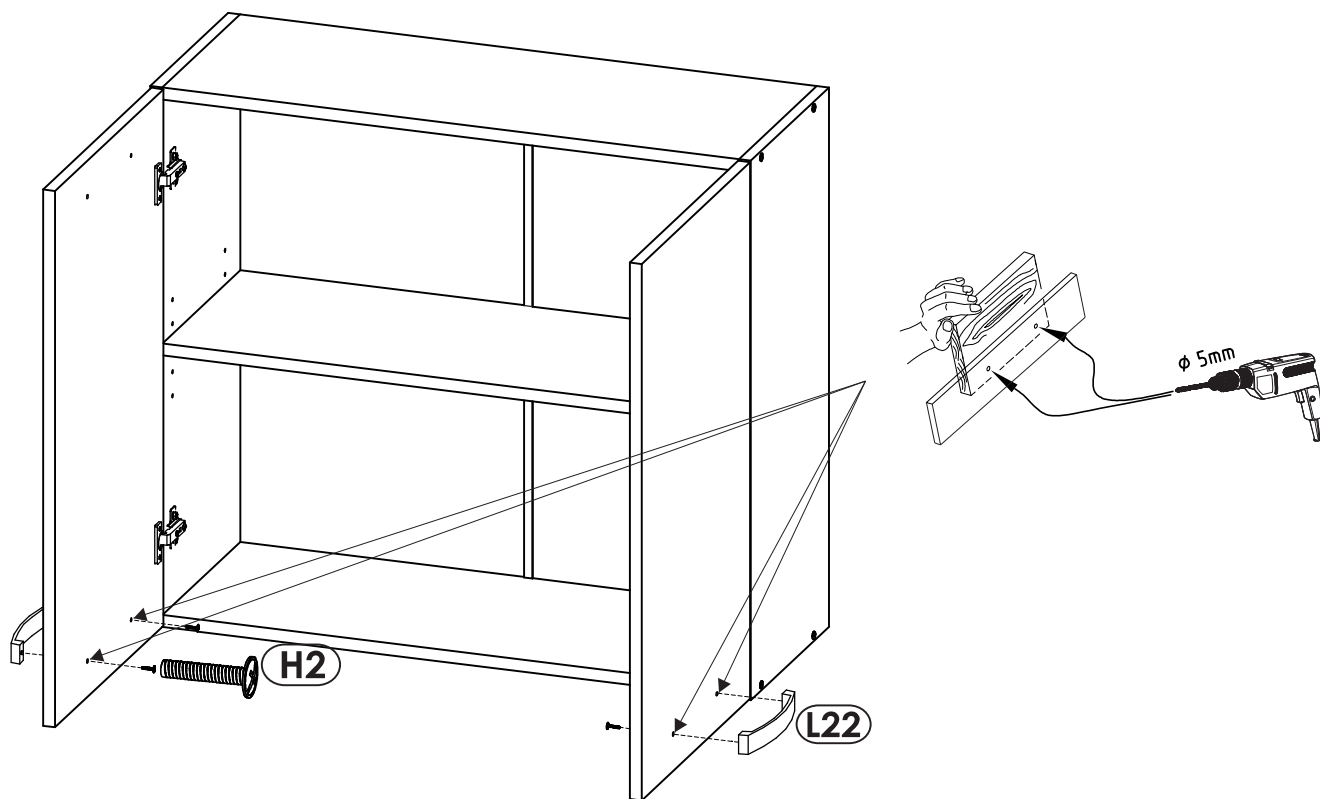
5 ▶ A



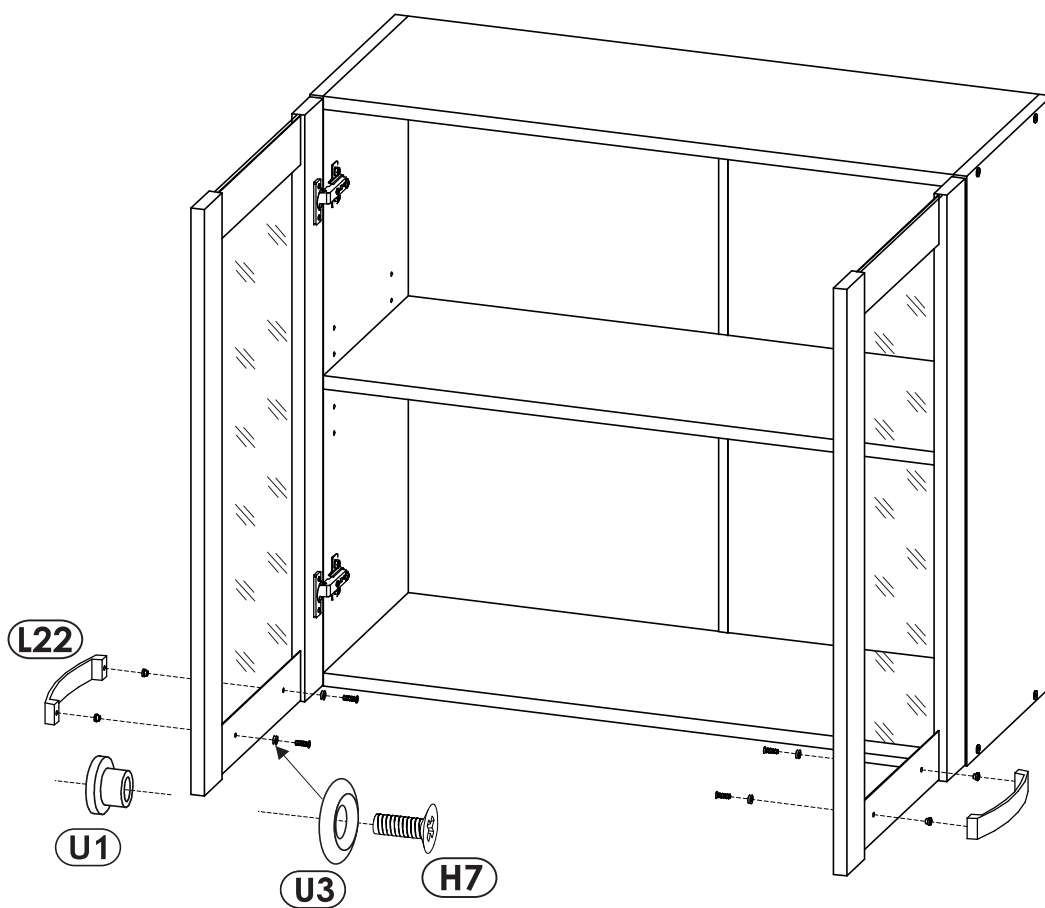
5 ▶ B



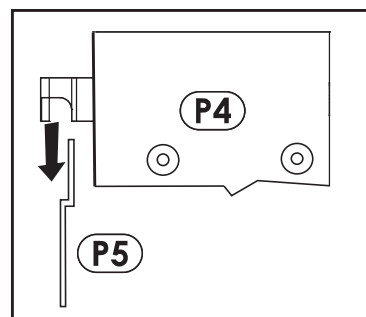
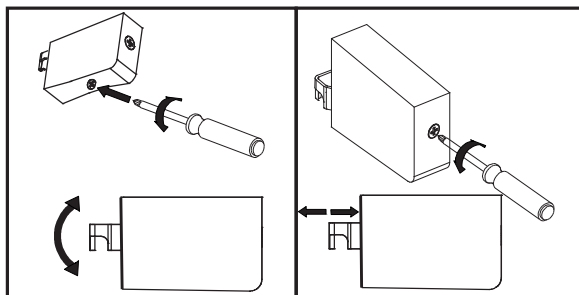
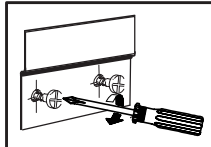
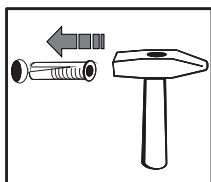
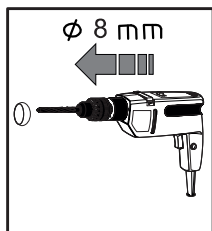
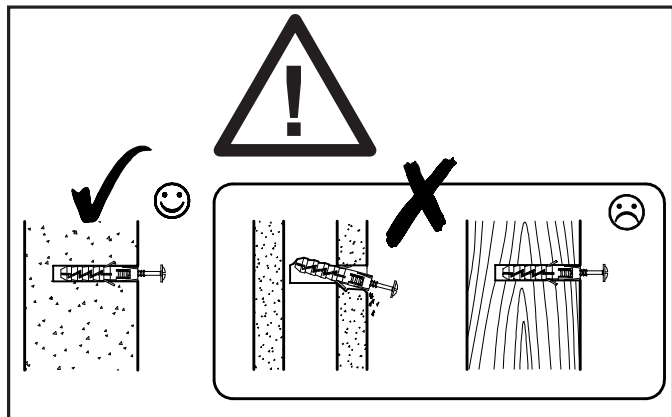
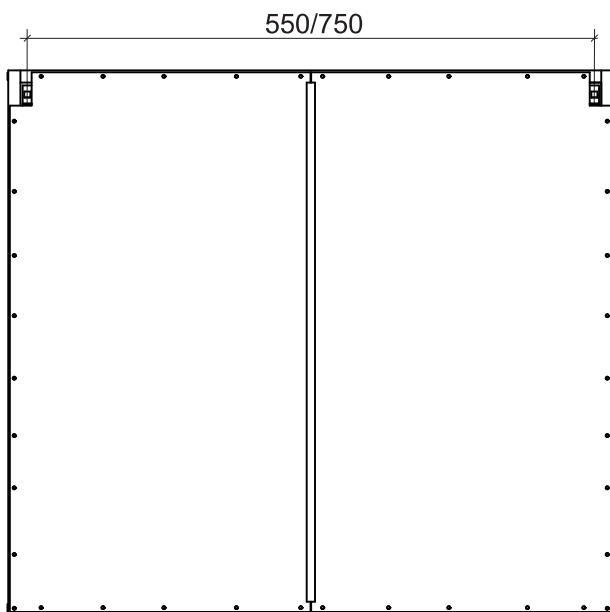
6 ▶ A



6 ▶ B



7



8

