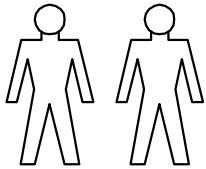
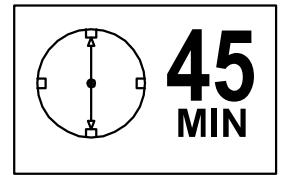
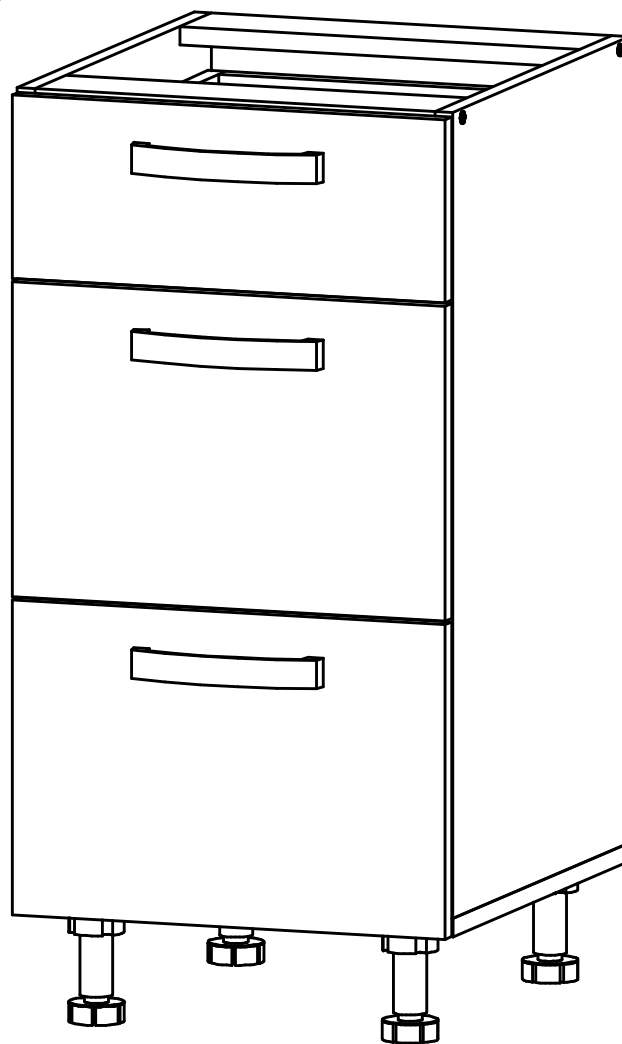
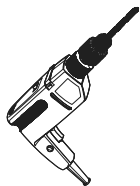
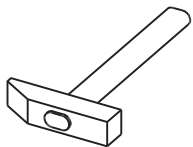
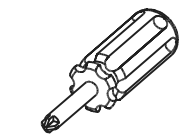


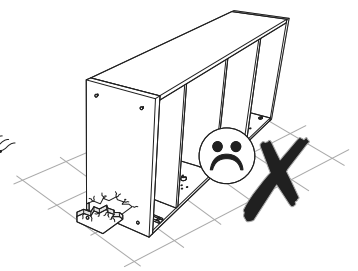
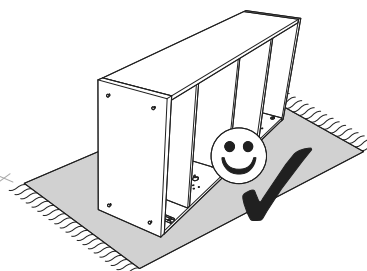
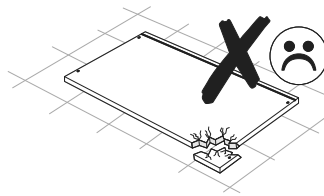
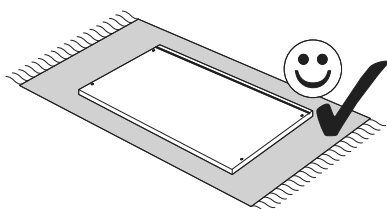
CHARLOTTE 40 LCDr , 50 LCDr , 60 LCDr , 80 LCDr











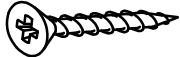

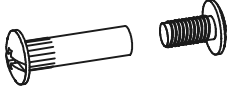

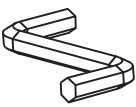
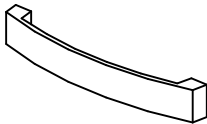
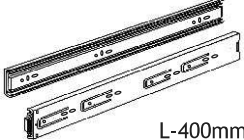

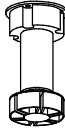
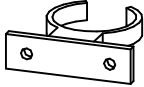
465 mm
400, 500, 600, 800 mm





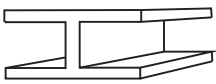
820 mm

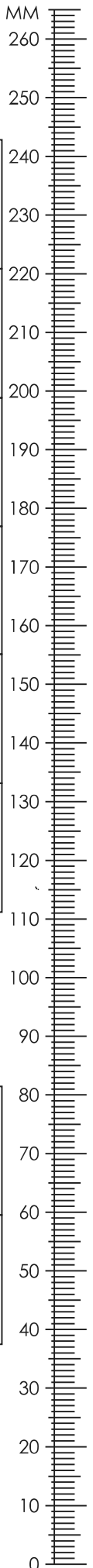


CHARLOTTE 40 LCDr , 50 LCDr , 60 LCDr , 80 LCDr

A0 8 x 32mm x14 	B0  x2	B1 f 7 x 50 mm x20 
C0  x10	C2  x10	C7 16 mm  x10
D2 3 x 30 mm  x4	D10 4 x 16 mm  x20	D14 4 x 35 mm  x2
D21 5 x 13 mm  x42	H0  x2	H2 4 x 22 mm  x6
K 4mm  x1	L22  x3	N8  L-400mm x3
T8  x70	T14  x4	T15  x2


50 LCDr , 60 LCDr , 80 LCDr

P24  x3	D10 4 x 16 mm  x6
R5  L- 687mm. x1	




CHARLOTTE 40 LCDr, 50 LCDr, 60 LCDr, 80 LCDr


400

1	704	445	16	x1	1/1
2	367	80	16	x1	1/1
3	367	80	16	x1	1/1
4	704	445	16	x1	1/1
5	400	445	16	x1	1/1
6	715	395	2,5	x1	1/1
7	400	160	16	x2	1/1
8	309	145	16	x2	1/1
9	400	160	16	x2	1/1
10	400	95	16	x1	1/1
11	309	80	16	x1	1/1
12	400	95	16	x1	1/1
13	319	405	2,5	x3	1/1
				1/1	


500

1	704	445	16	x1	1/1
2	467	80	16	x1	1/1
3	467	80	16	x1	1/1
4	704	445	16	x1	1/1
5	500	445	16	x1	1/1
6	715	247	2,5	x2	1/1
7	400	160	16	x2	1/1
8	409	145	16	x2	1/1
9	400	160	16	x2	1/1
10	400	95	16	x1	1/1
11	409	80	16	x1	1/1
12	400	95	16	x1	1/1
13	419	405	2,5	x3	1/1
				1/1	

600

1	704	445	16	x1	1/1
2	567	80	16	x1	1/1
3	567	80	16	x1	1/1
4	704	445	16	x1	1/1
5	600	445	16	x1	1/1
6	715	297	2,5	x2	1/1
7	400	160	16	x2	1/1
8	509	145	16	x2	1/1
9	400	160	16	x2	1/1
10	400	95	16	x1	1/1
11	509	80	16	x1	1/1
12	400	95	16	x1	1/1
13	519	405	2,5	x3	1/1
				1/1	

800

1	704	445	16	x1	1/1
2	767	80	16	x1	1/1
3	767	80	16	x1	1/1
4	704	445	16	x1	1/1
5	800	445	16	x1	1/1
6	715	397	2,5	x2	1/1
7	400	160	16	x2	1/1
8	709	145	16	x2	1/1
9	400	160	16	x2	1/1
10	400	95	16	x1	1/1
11	709	80	16	x1	1/1
12	400	95	16	x1	1/1
13	719	405	2,5	x3	1/1
				1/1	

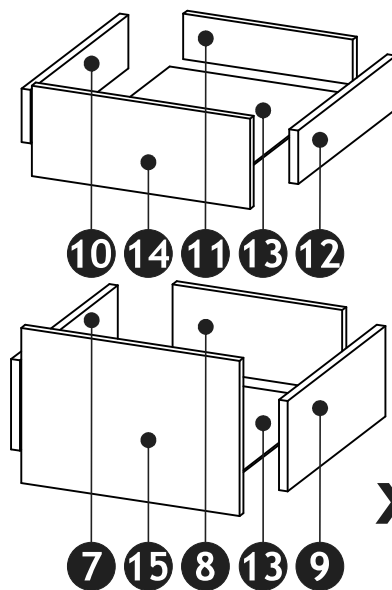
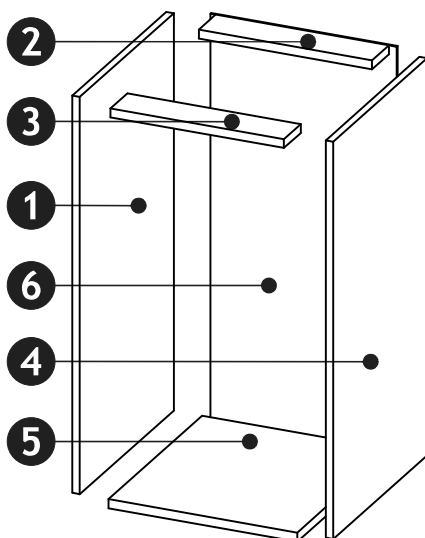
14	397	160	16	x1	1/1
15	397	275	16	x2	1/1

14	497	160	16	x1	1/1
15	497	275	16	x2	1/1

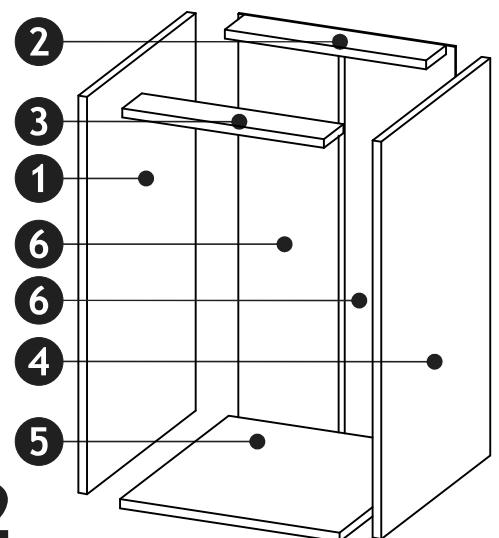
14	597	160	16	x1	1/1
15	597	275	16	x2	1/1

14	797	160	16	x1	1/1
15	797	275	16	x2	1/1

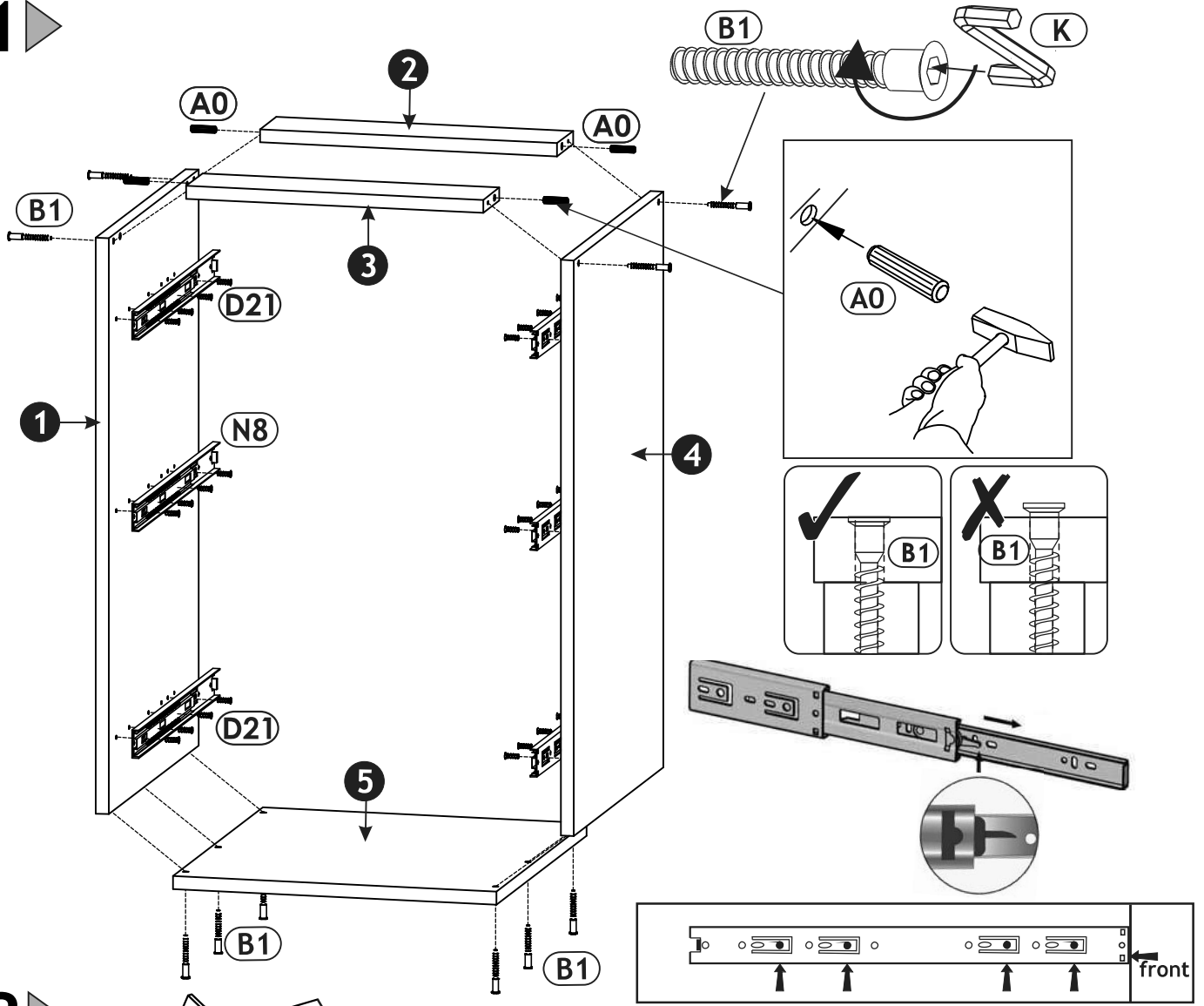
40 LCDr



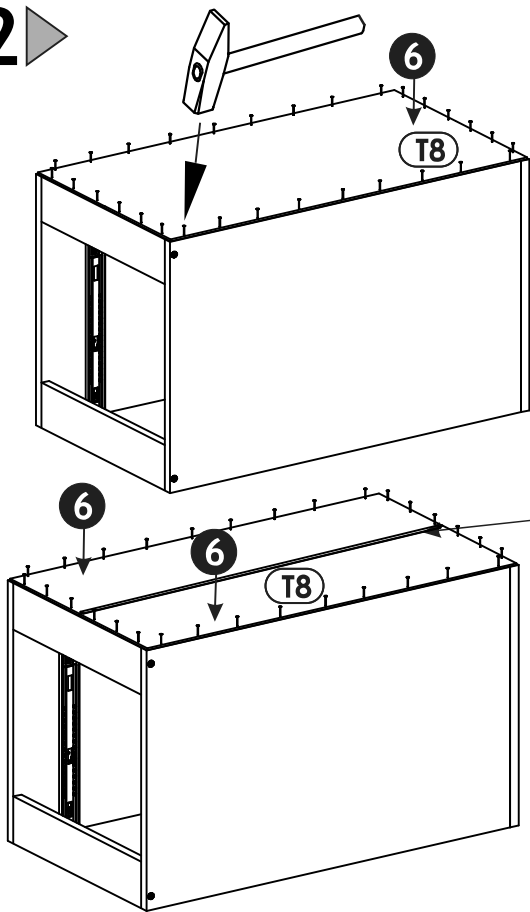
50 LCDr, 60 LCDr, 80 LCDr



1 ▶



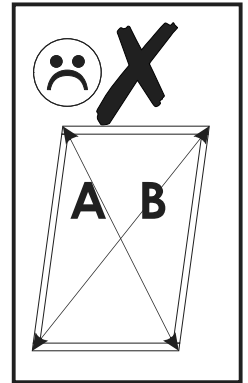
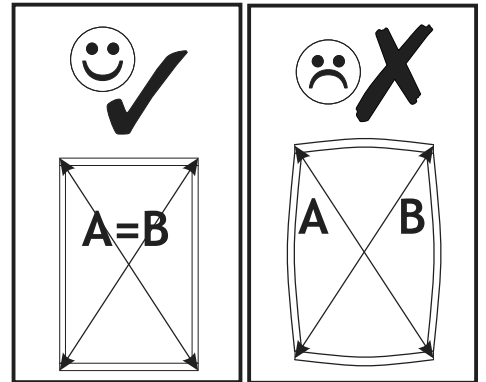
2 ▶



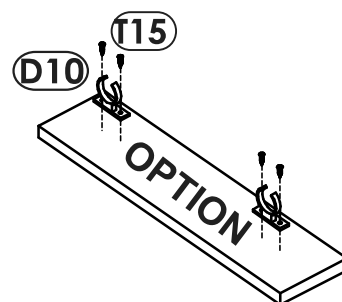
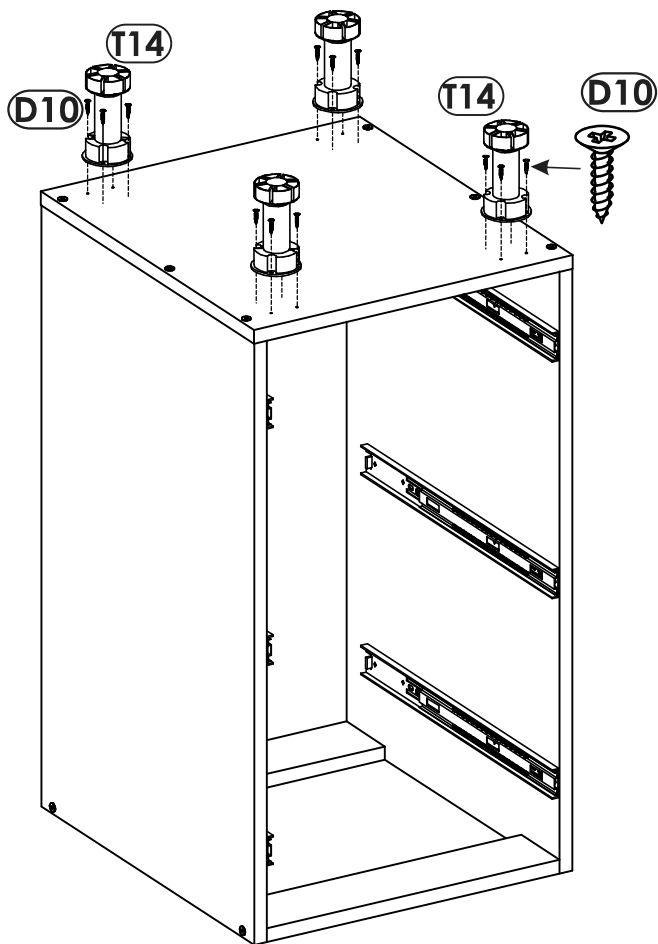
40 LCDr

R5

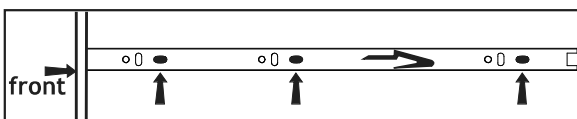
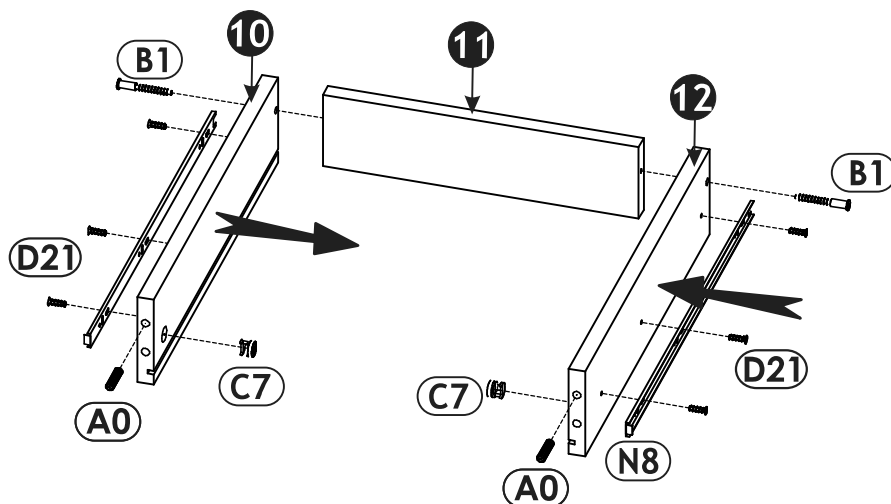
50 LCDr, 60 LCDr, 80 LCDr

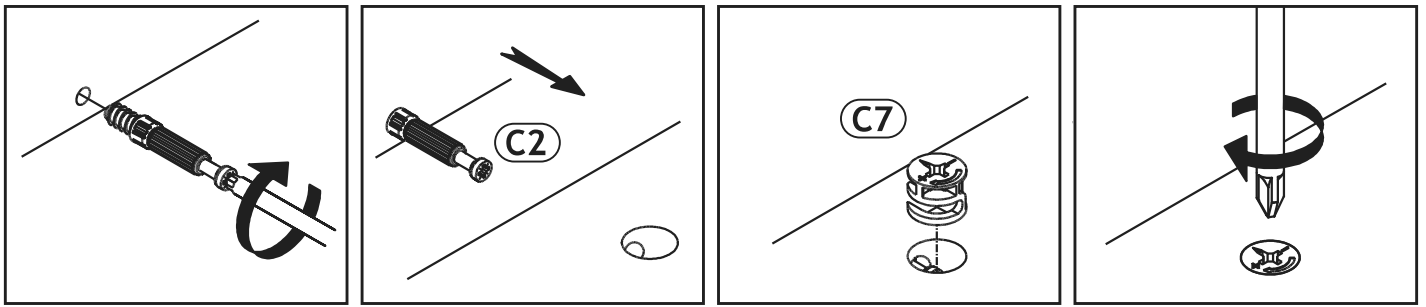


3 ▶

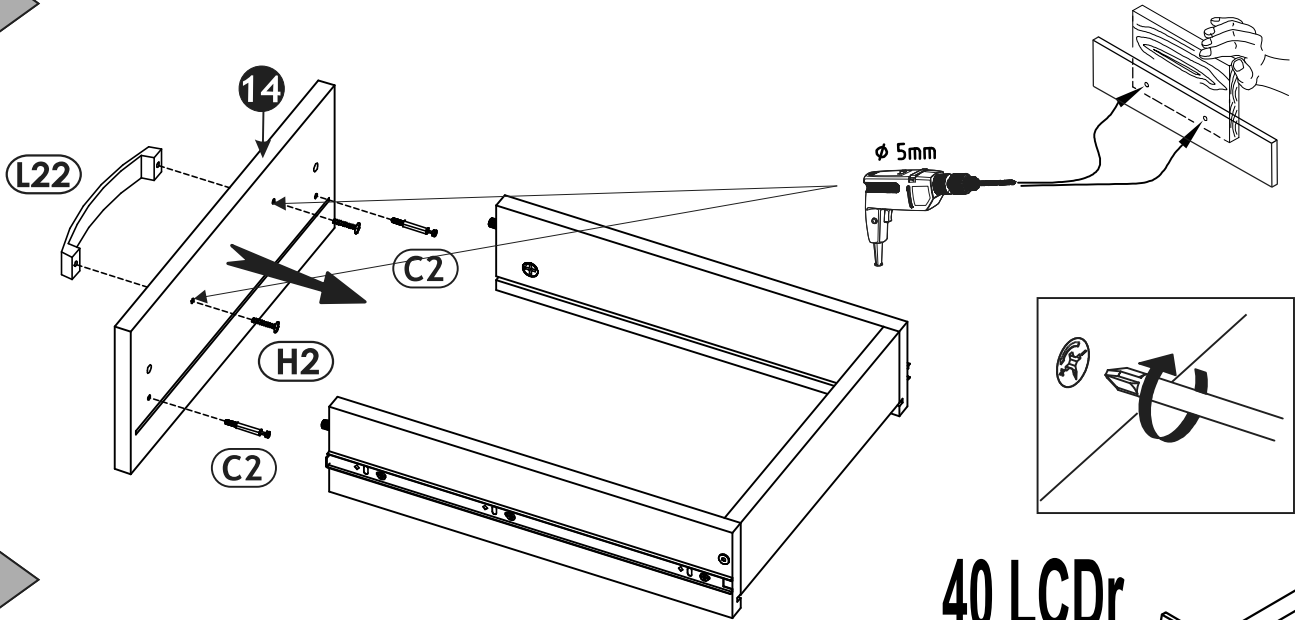


4 ▶

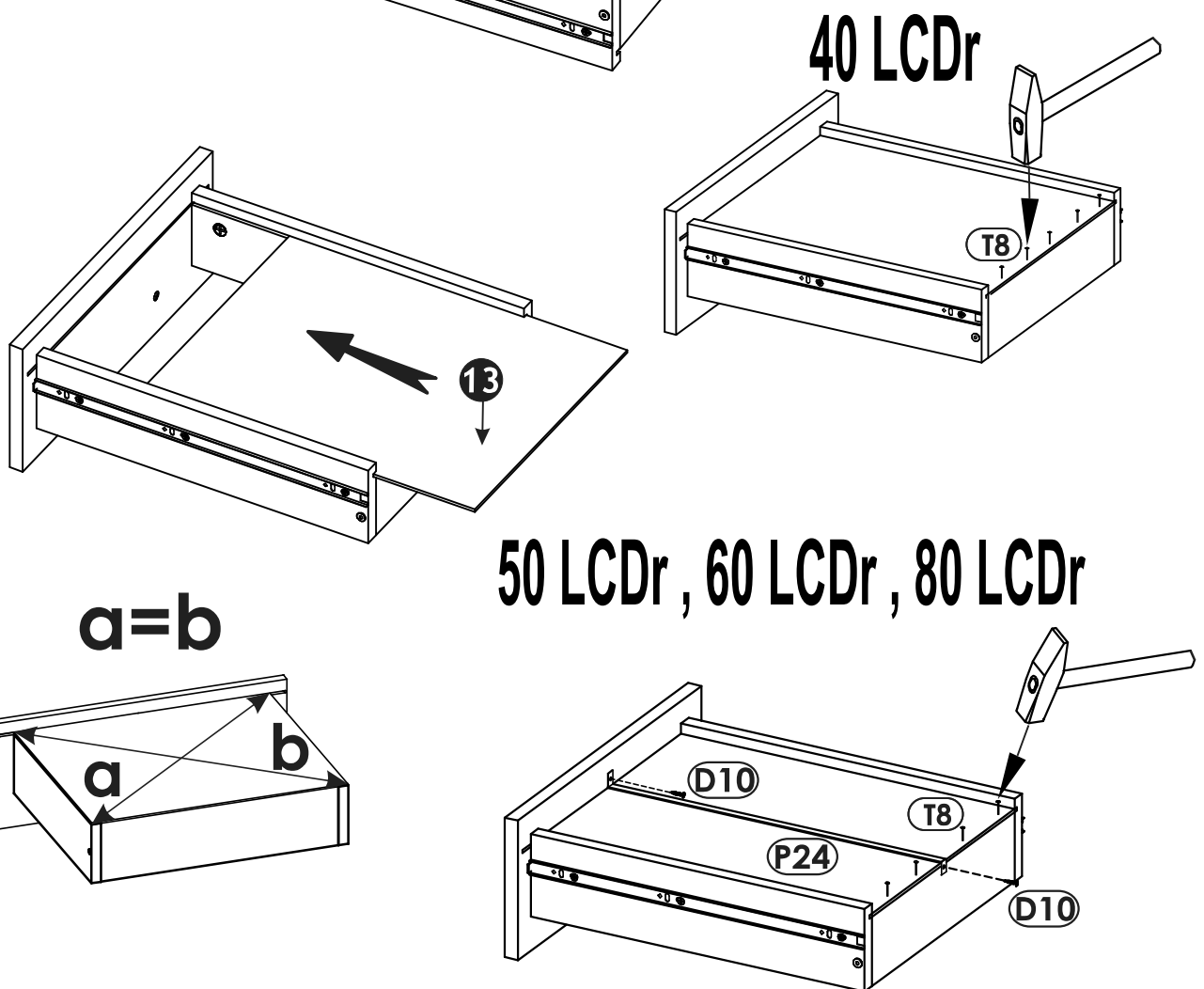




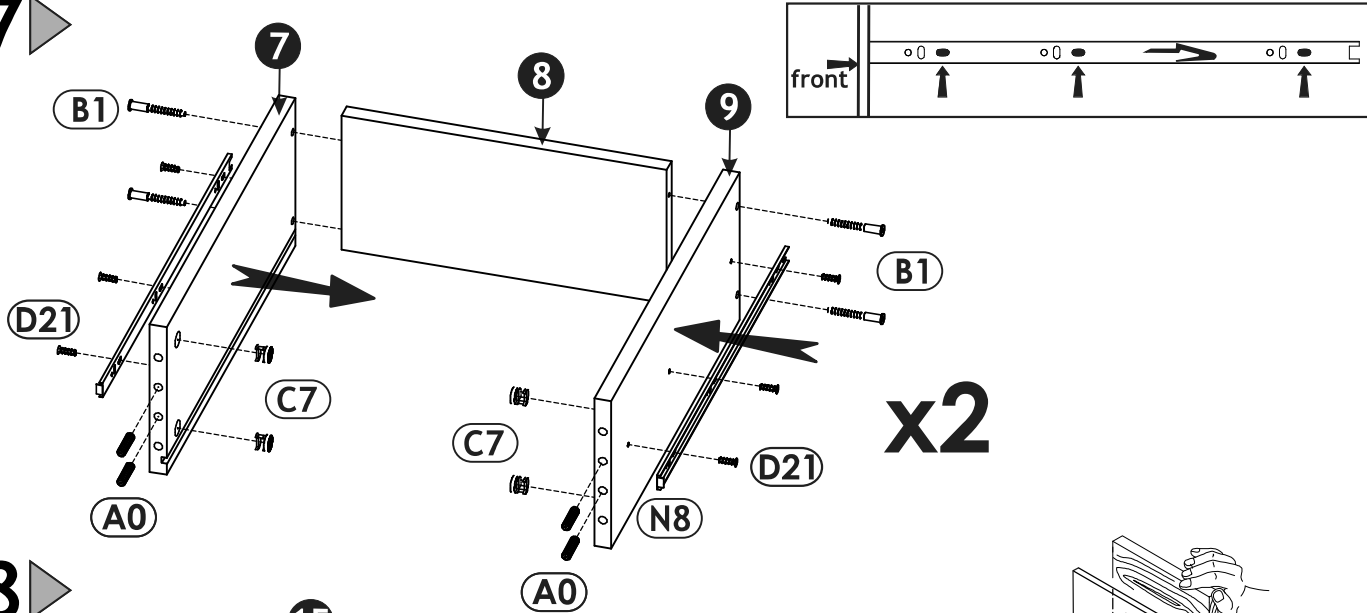
5 ▶



6 ▶

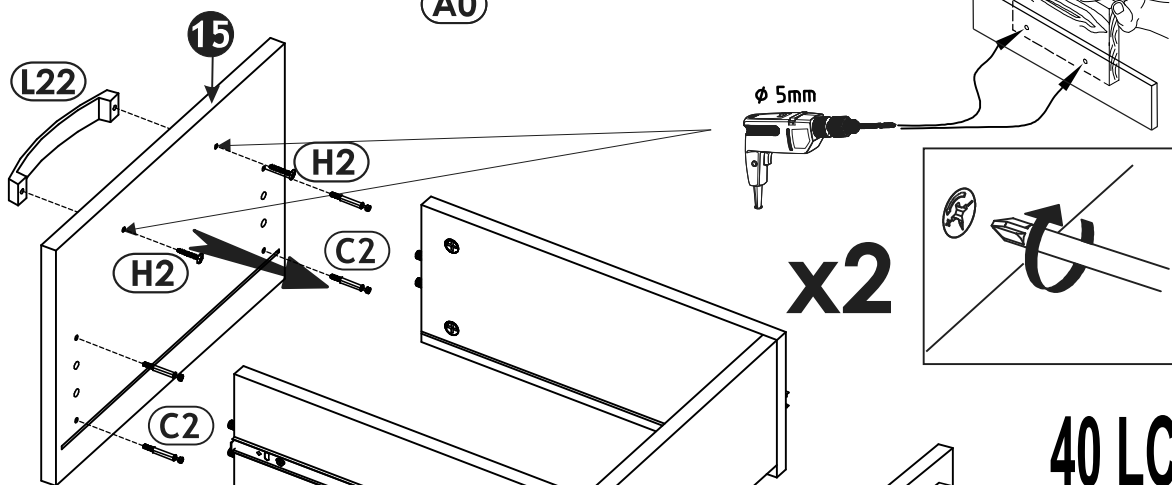


7 ▶



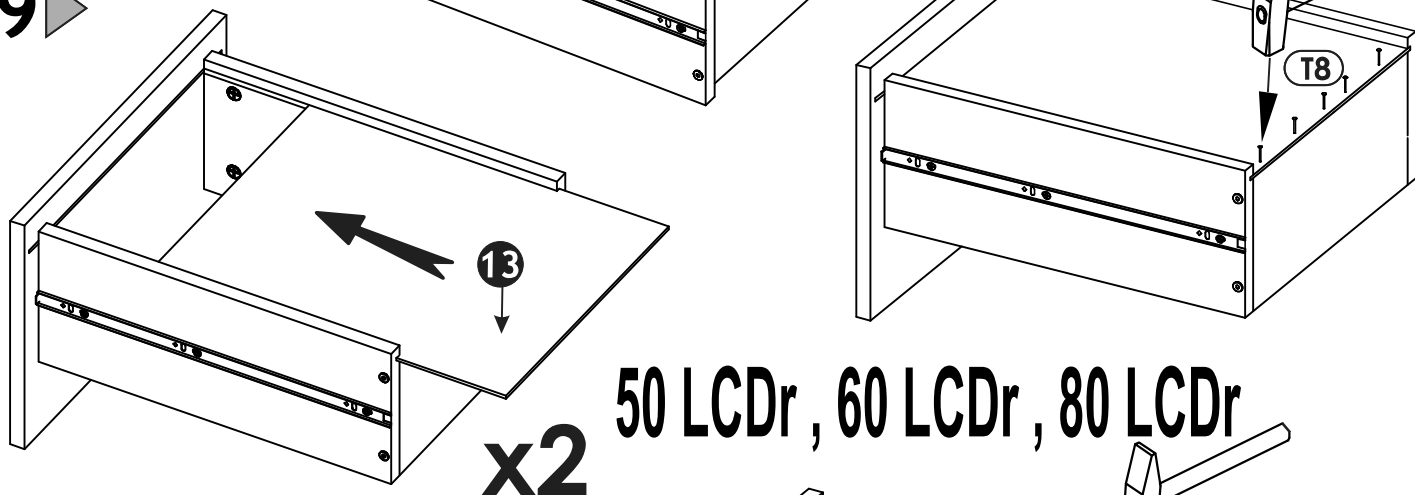
x2

8 ▶



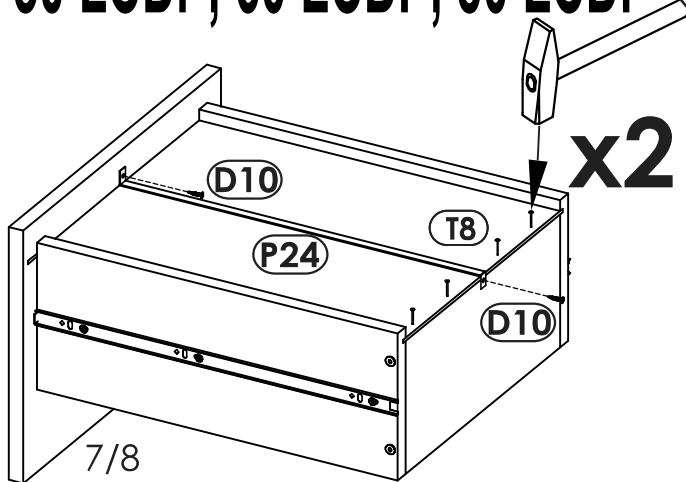
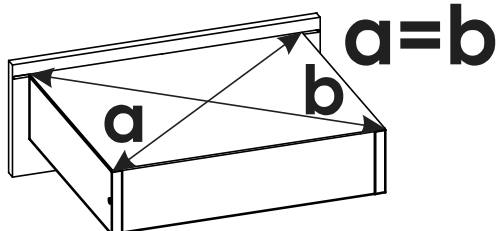
x2

9 ▶



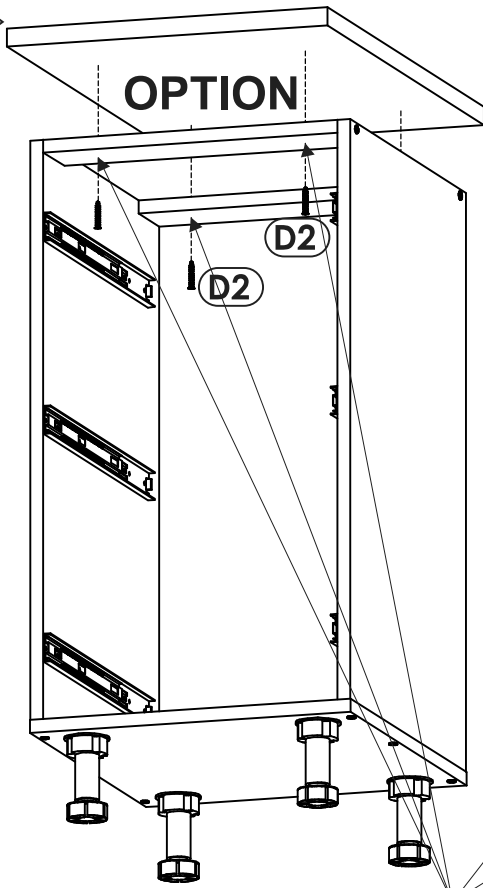
50 LCDr, 60 LCDr, 80 LCDr

x2

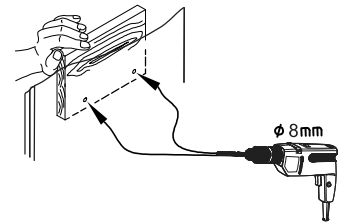
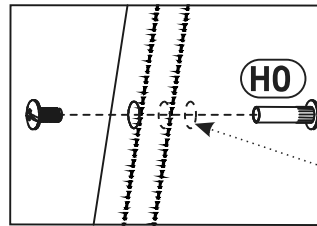
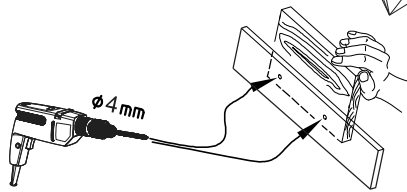
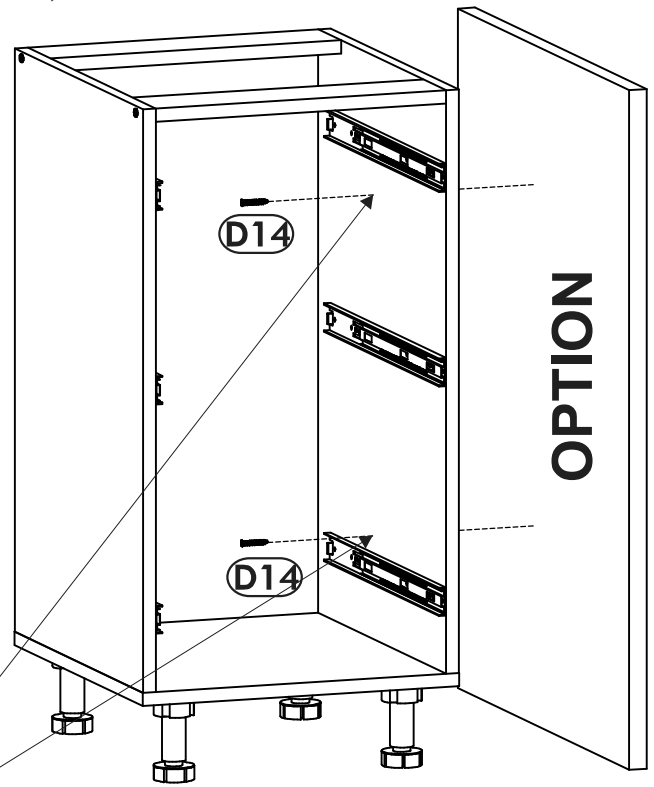


x2

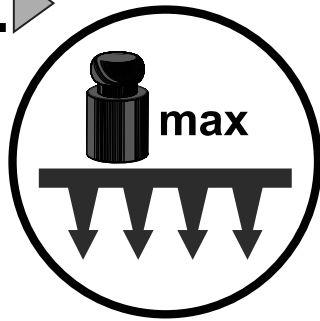
10 ▶



11 ▶



12 ▶



max 5kg

max 5kg

max 5kg

