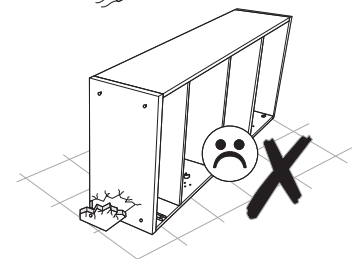
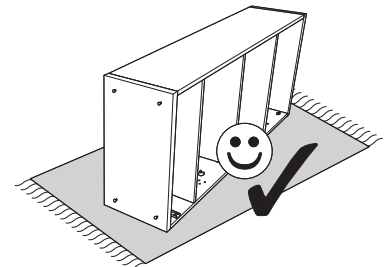
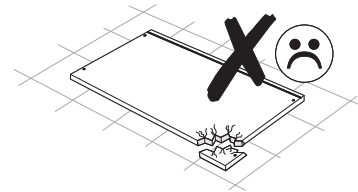
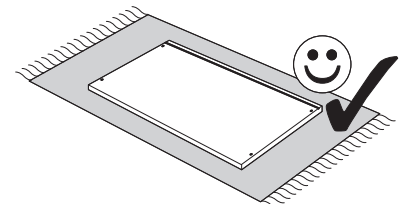
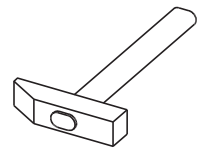
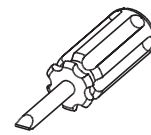
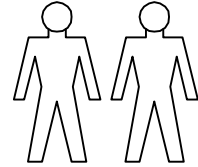
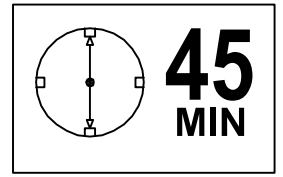
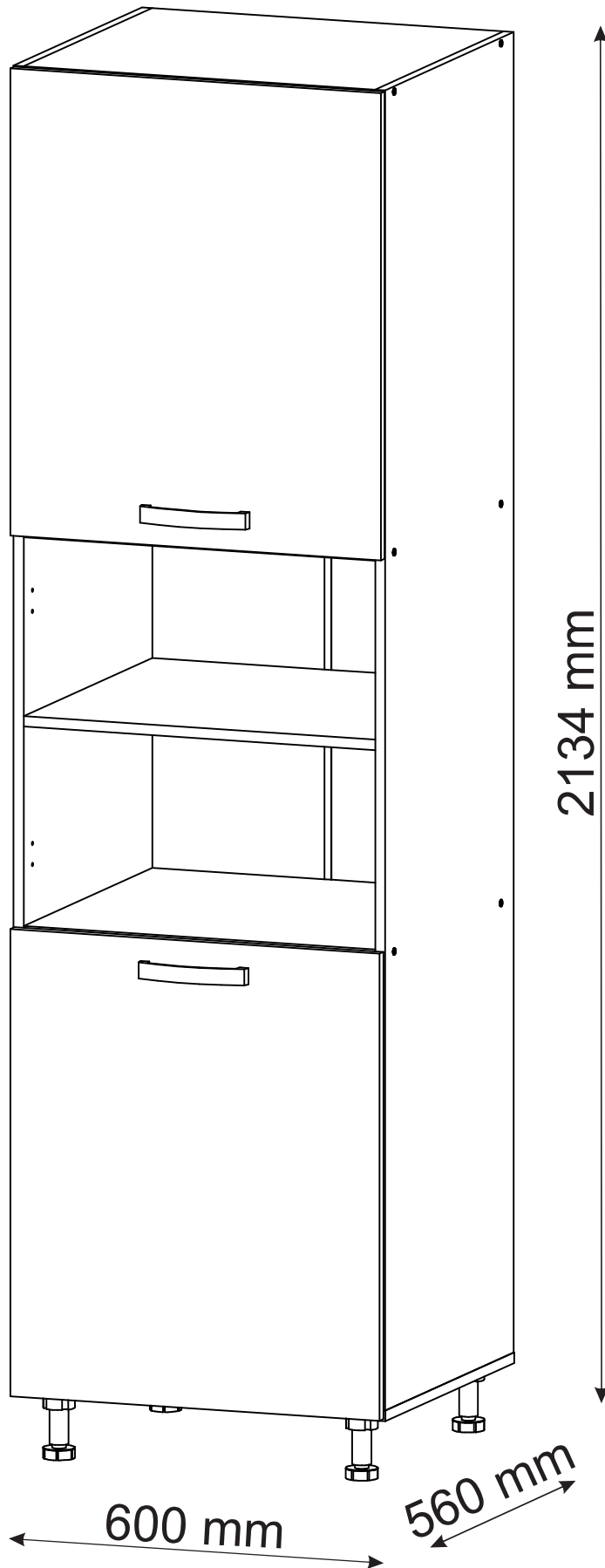
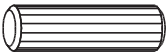

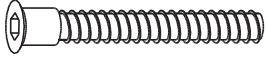

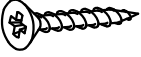


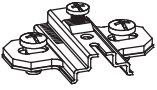
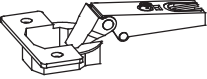

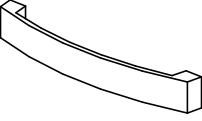

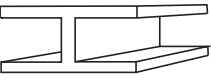

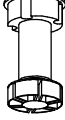
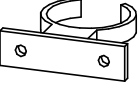
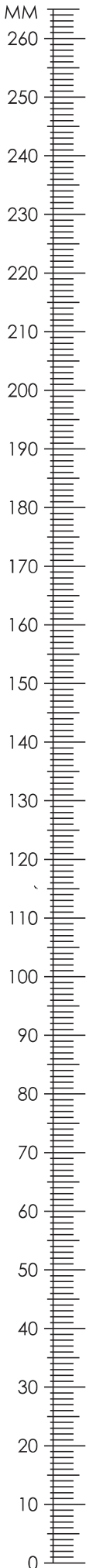


CHARLOTTE 60 TALL CABINET B

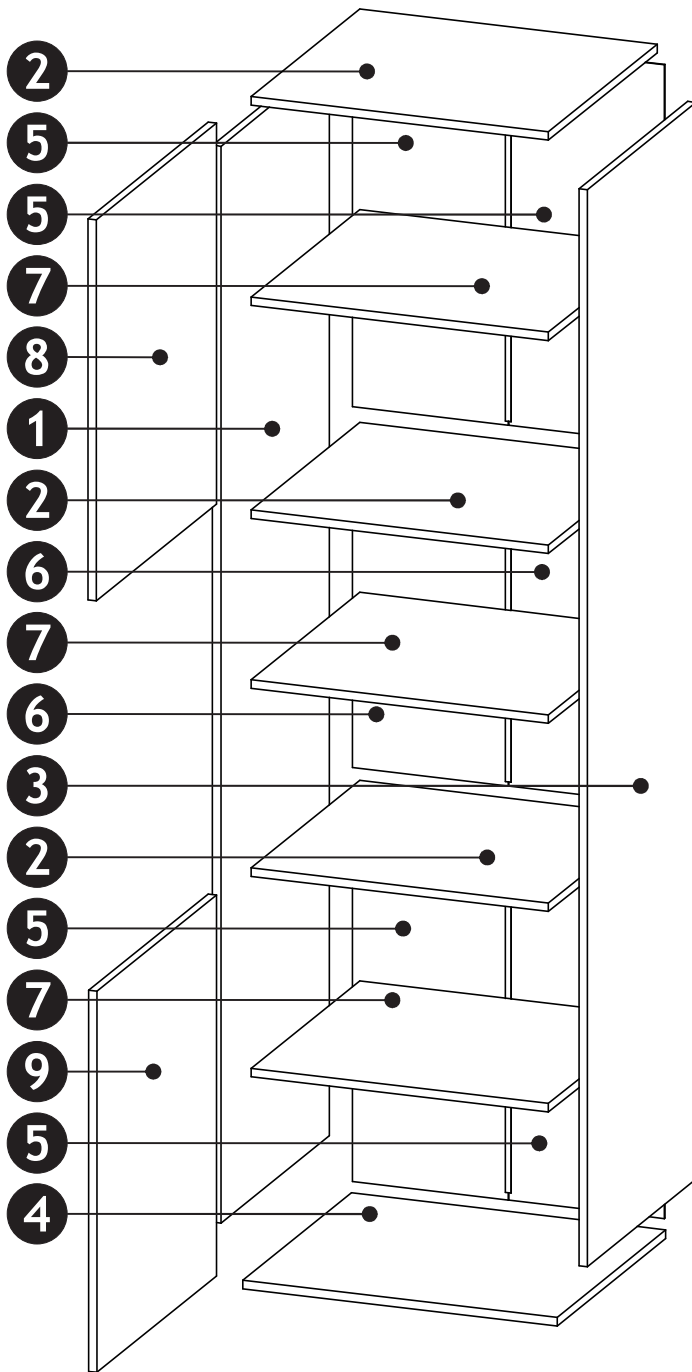


CHARLOTTE 60 TALL CABINET B

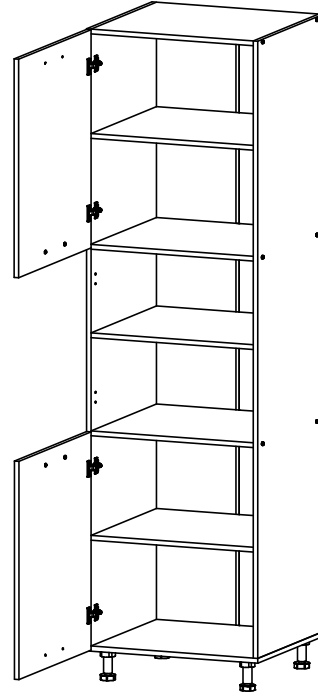
<p>A0 8 x 32mm x6</p> 	<p>B0 x6</p> 	<p>B1 f 7 x 50 mm x18</p> 
<p>D10 4 x 16 mm x28</p> 	<p>D14 4 x 35 mm x8</p> 	<p>H0 x4</p> 
<p>H2 4 x 22 mm x4</p> 	<p>J6 x4</p> 	<p>J8 x4</p> 
<p>K x1</p> <p>4mm</p> 	<p>L22 x2</p> 	<p>Q0 x12</p> 
<p>R5 L- 687mm. x2 L- 594mm. x1</p> 	<p>T8 x70</p> 	<p>T14 x4</p> 
<p>T15 x2</p> 		



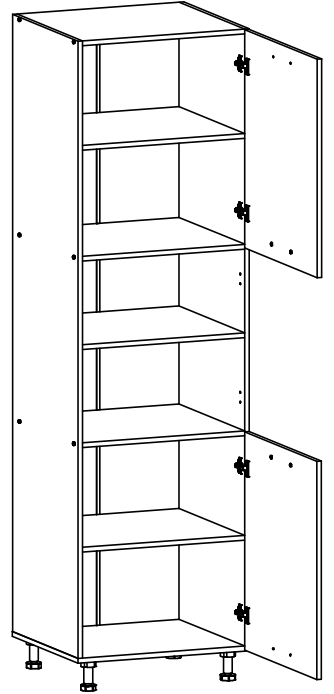
CHARLOTTE 60 TALL CABINET B




L



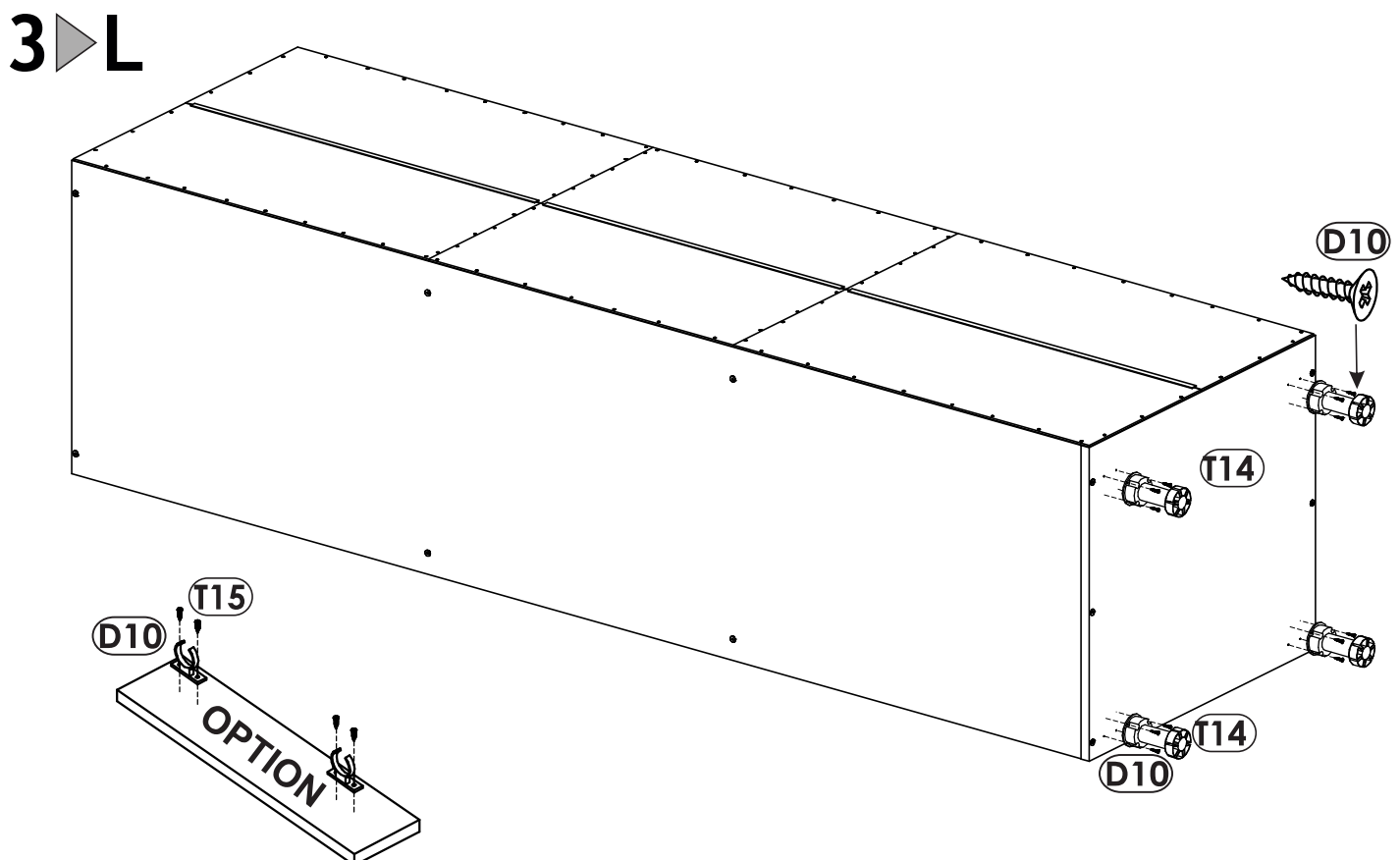
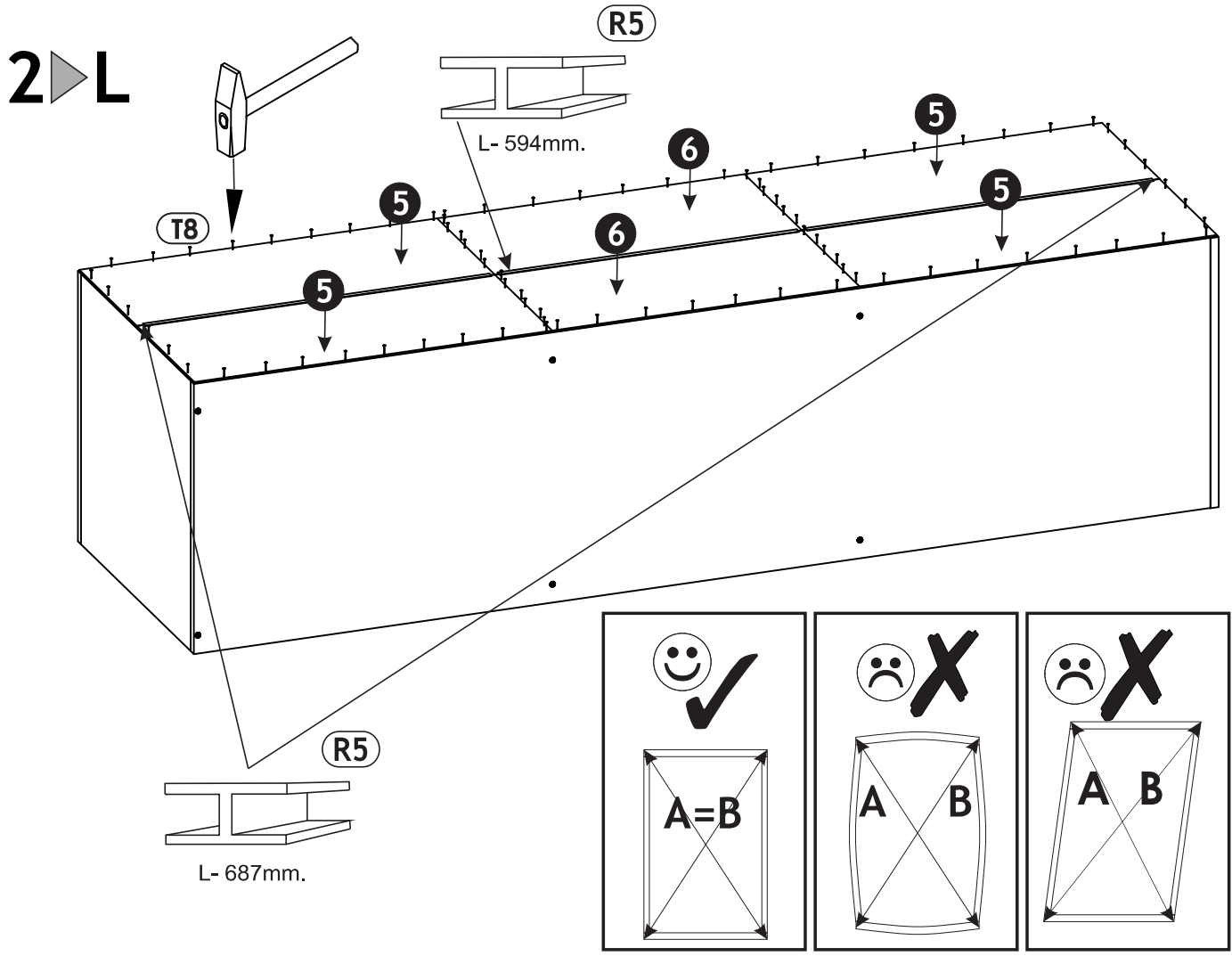
R

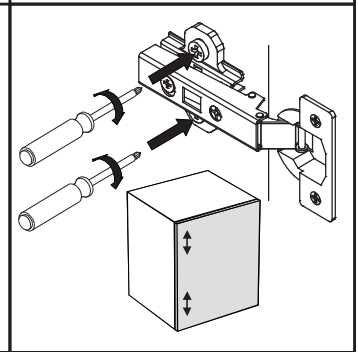
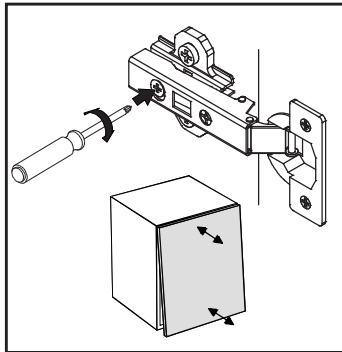
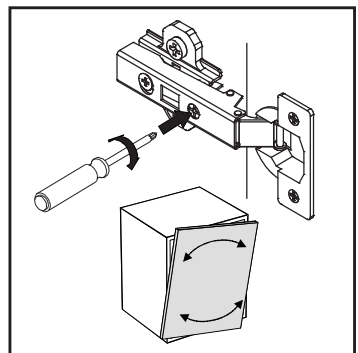
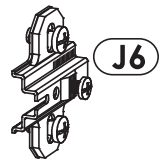
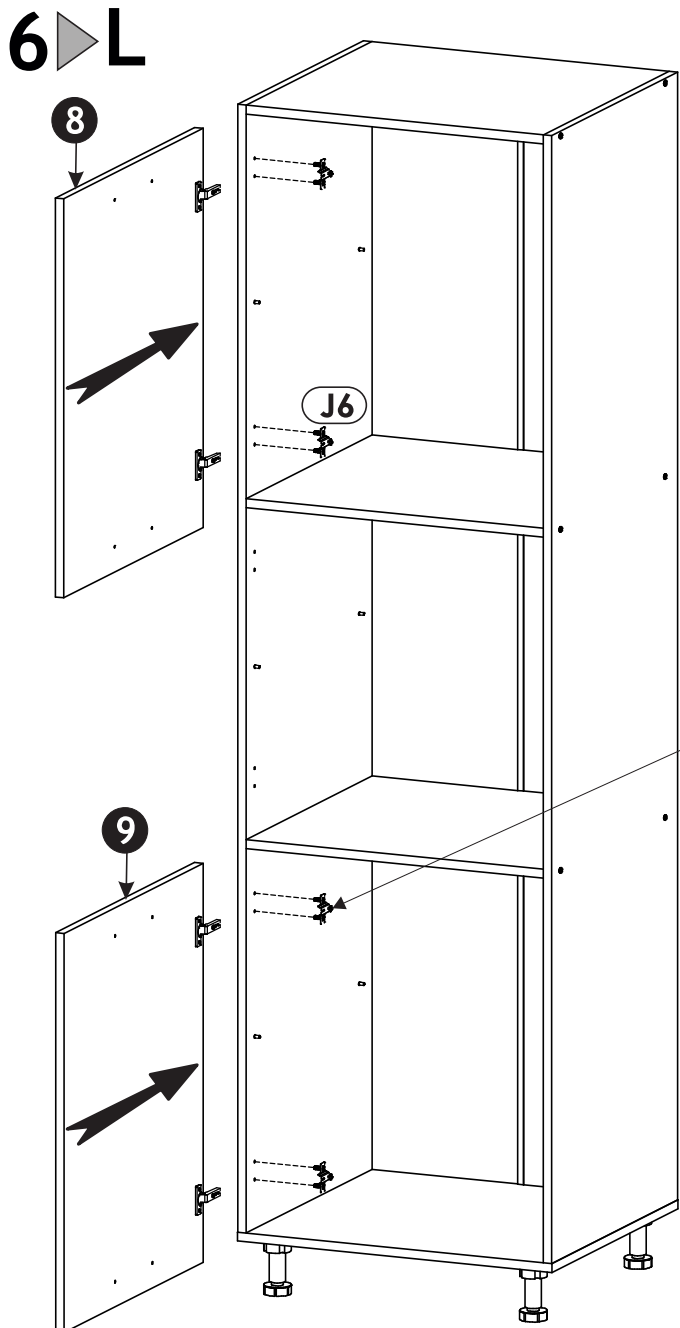
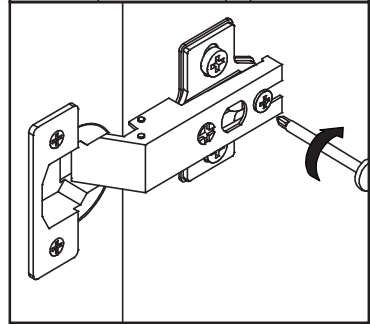
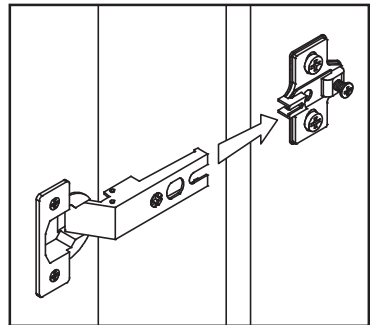
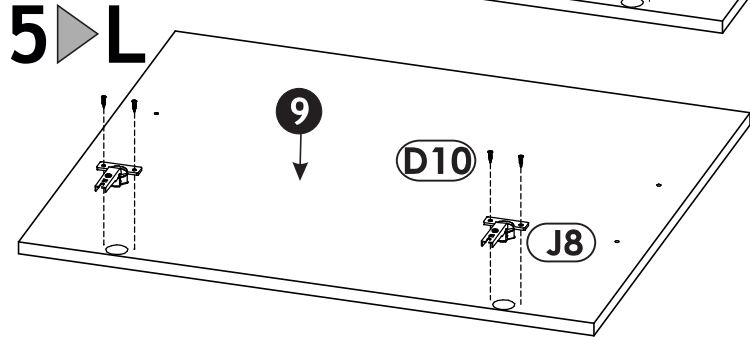
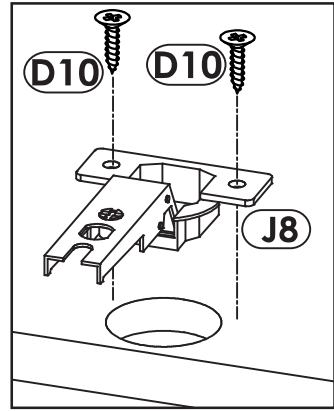
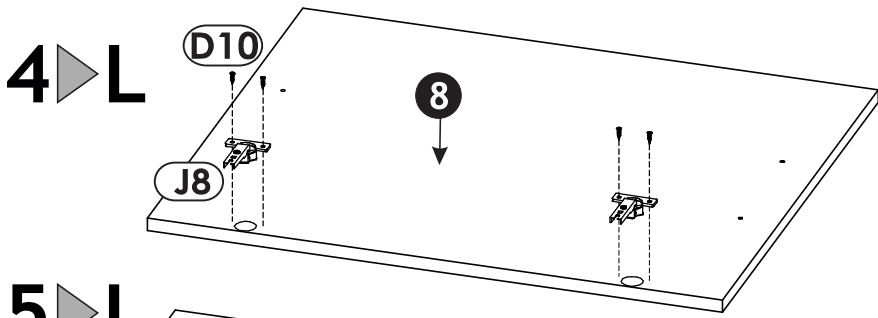


1	2018	540	16	x1	1/1
2	567	540	16	x3	1/1
3	2018	540	16	x1	1/1
4	600	540	16	x1	1/1
5	709	297	2,5	x4	1/1
6	610	297	2,5	x2	1/1
7	566	535	16	x3	1/1
					1/1

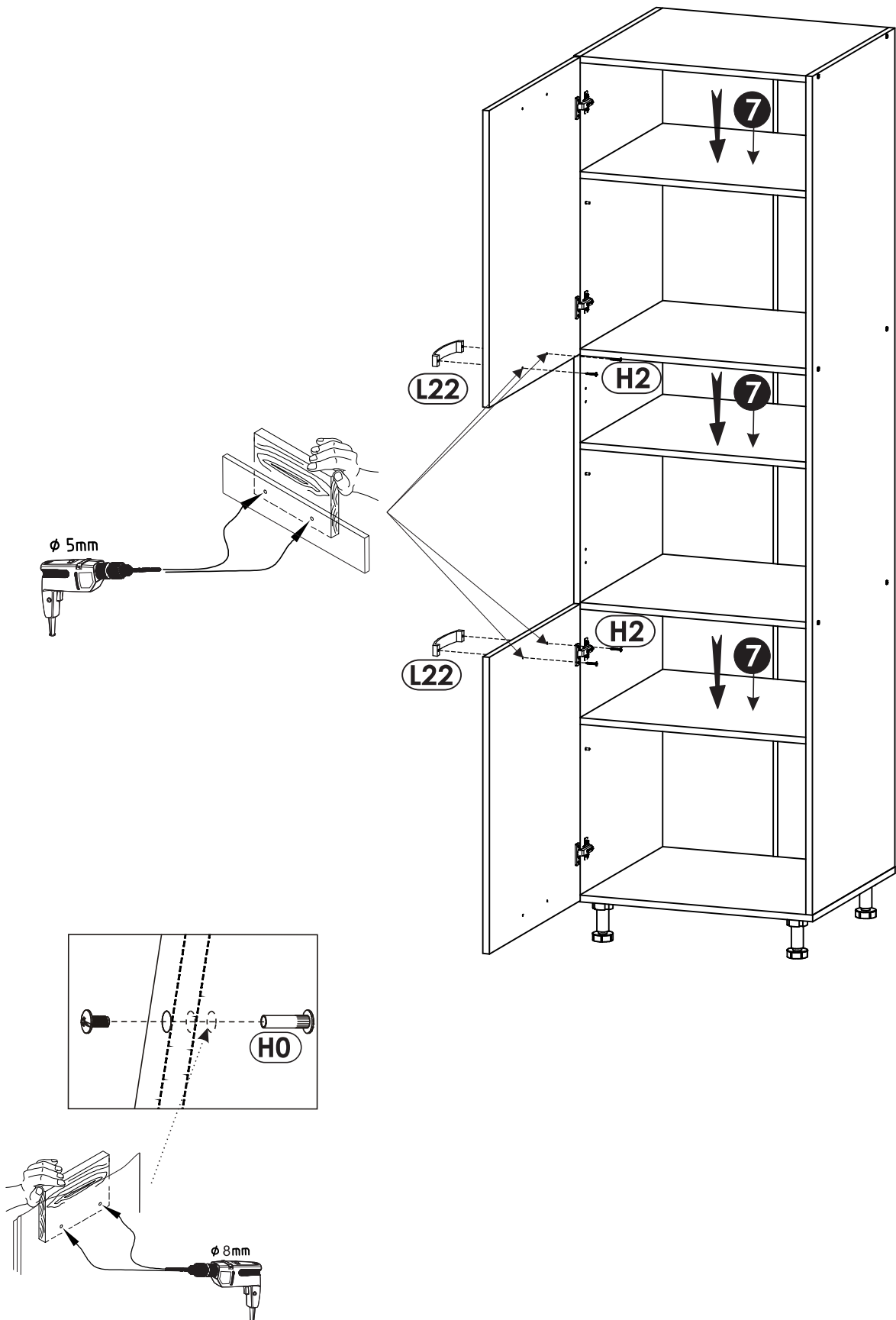
8	714	597	16	x1	1/1
----------	-----	-----	----	----	-----

9	714	597	16	x1	1/1
----------	-----	-----	----	----	-----





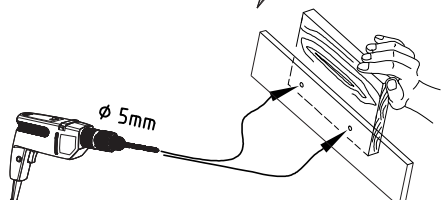
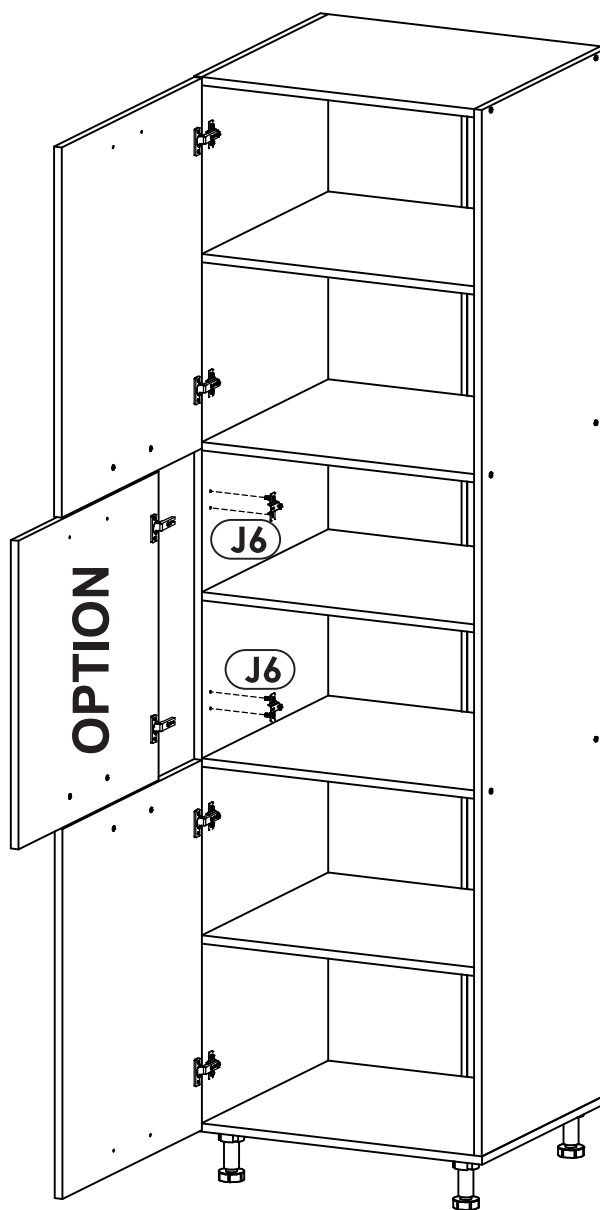
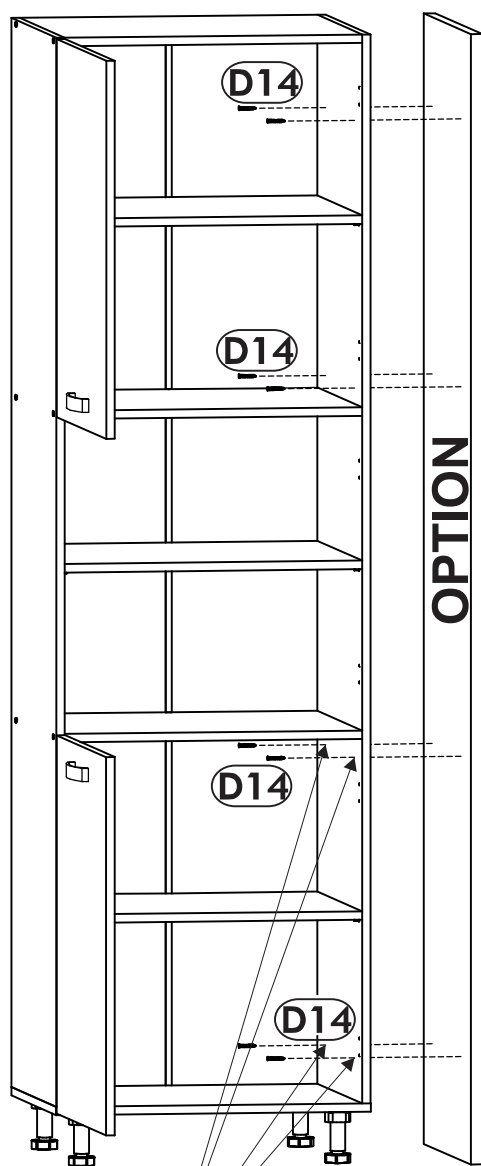
7▶L



8 ▶ L

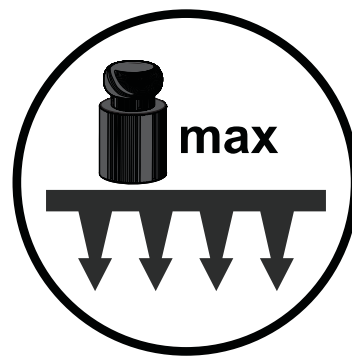
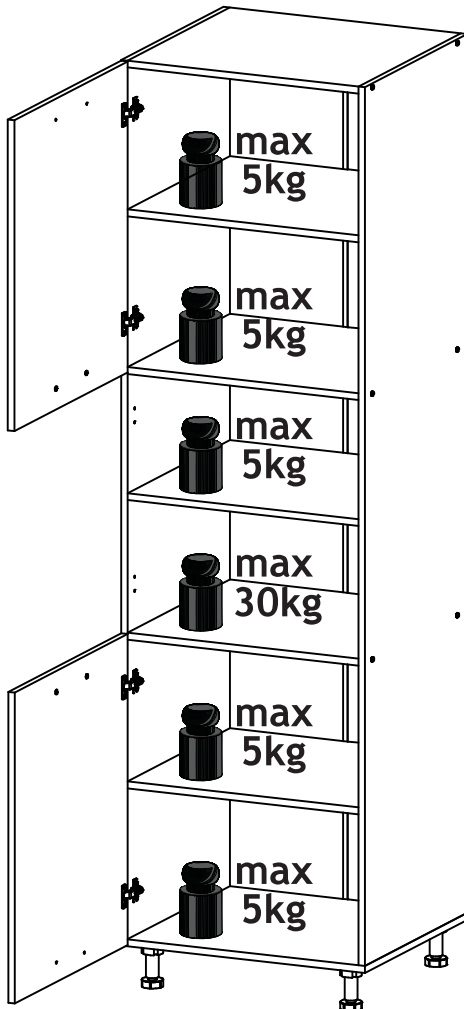
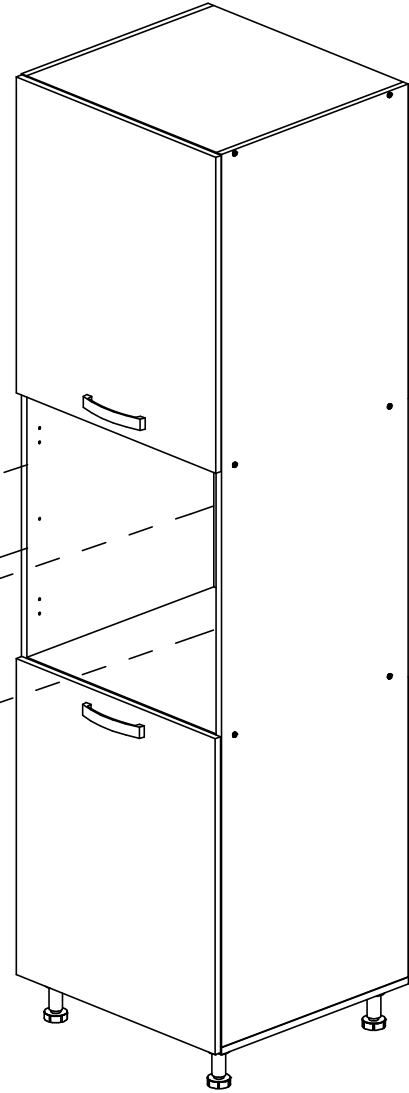
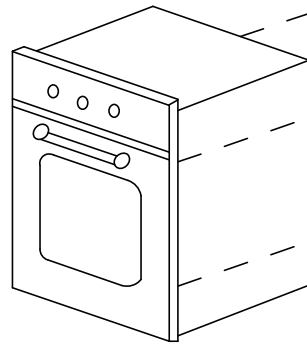
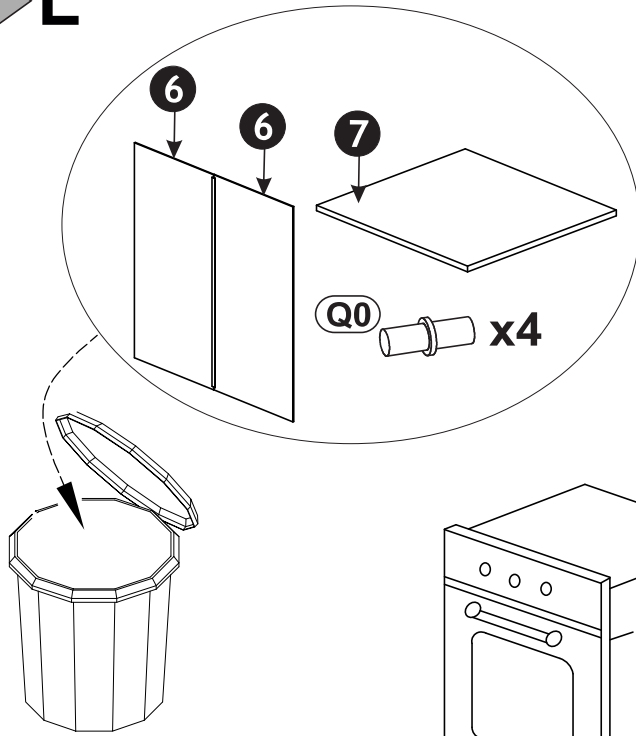
OPTION

9 ▶ L

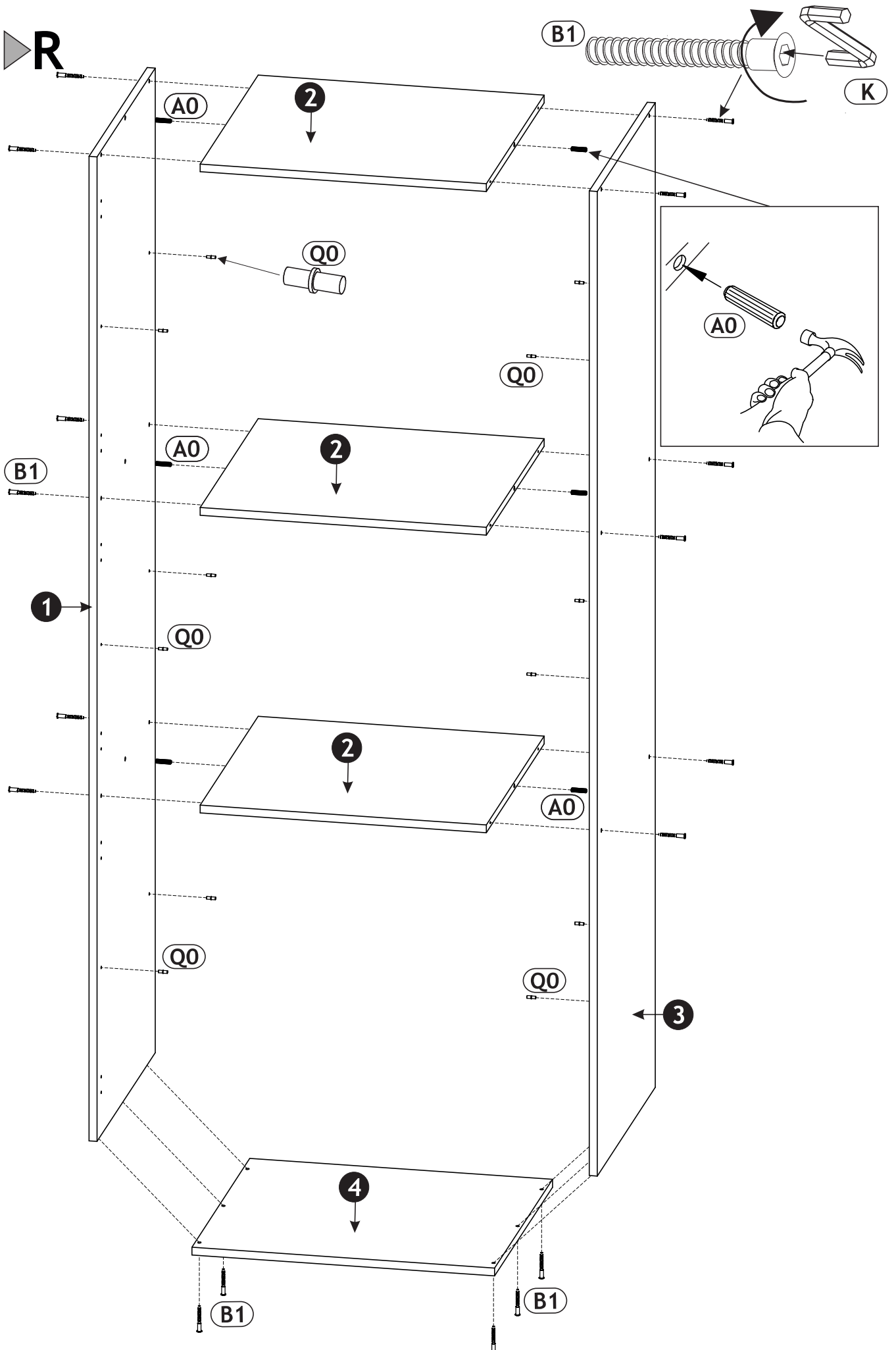


10 ▶ L

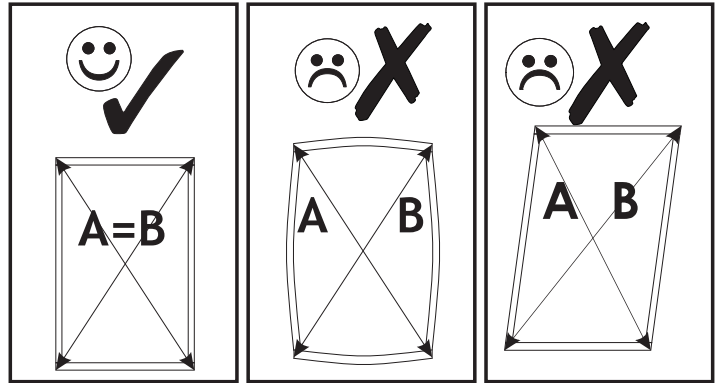
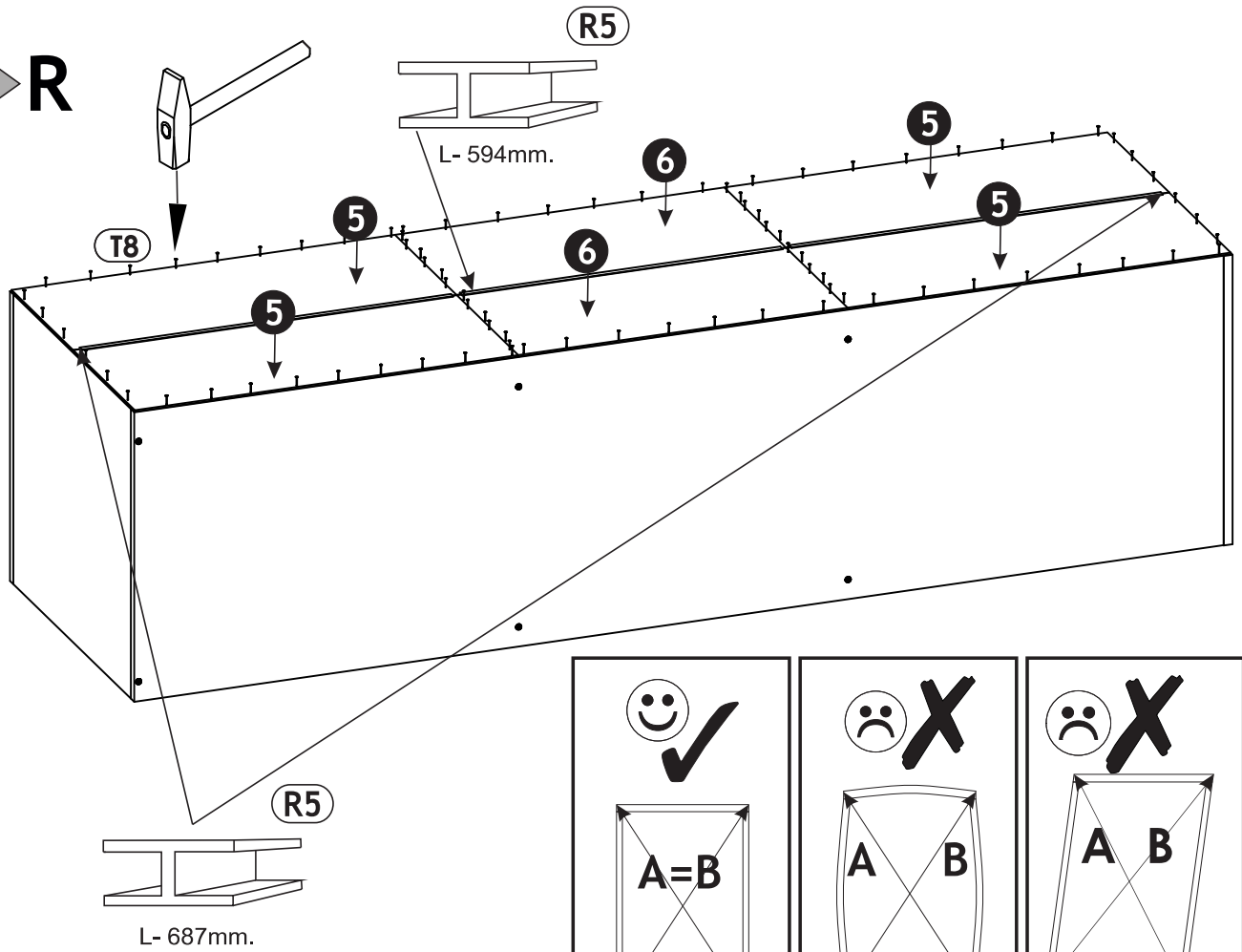
OPTION



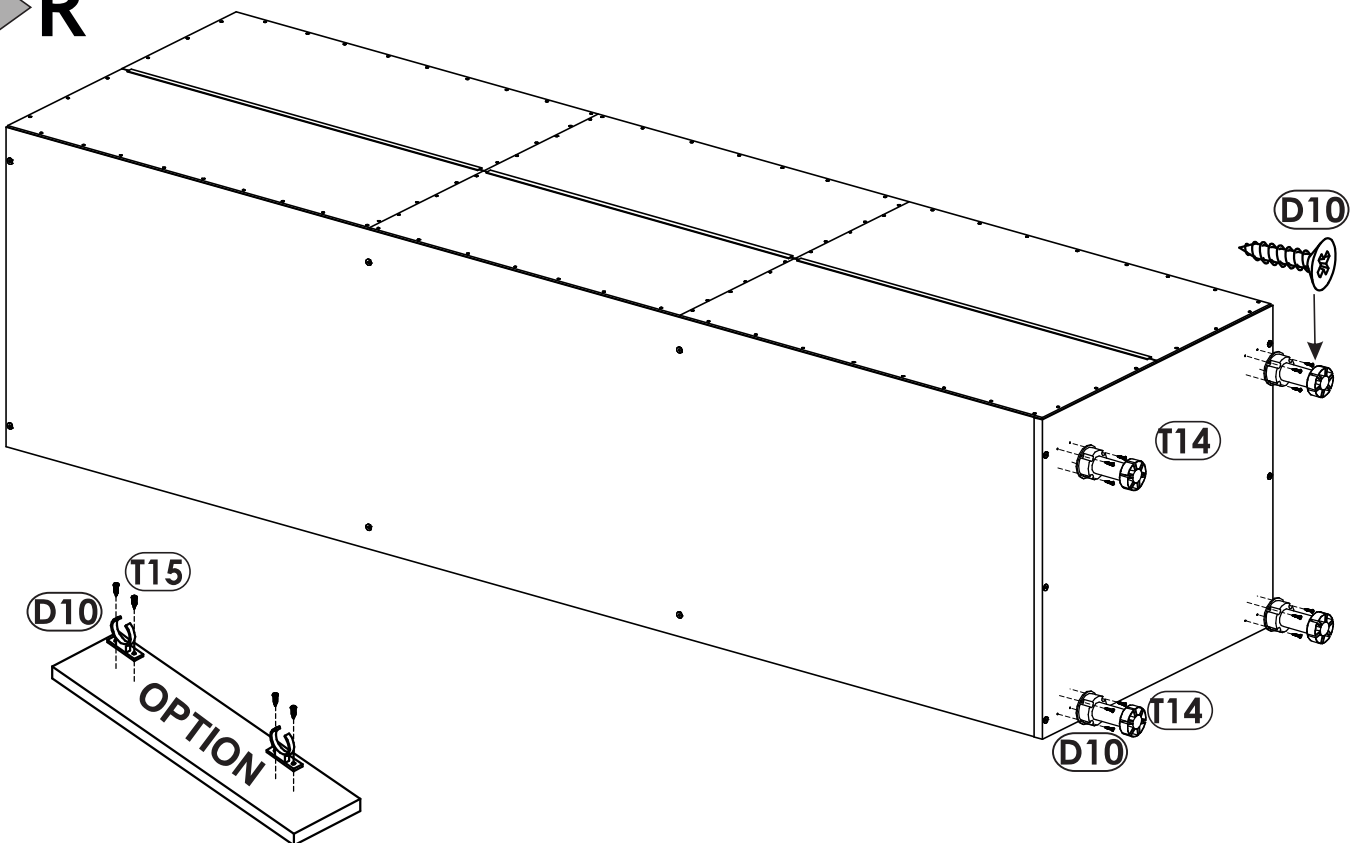
1 ▶ R

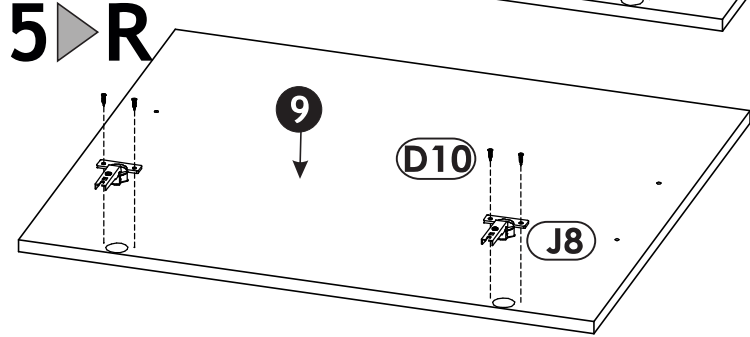
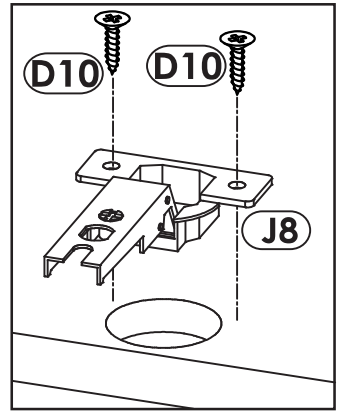
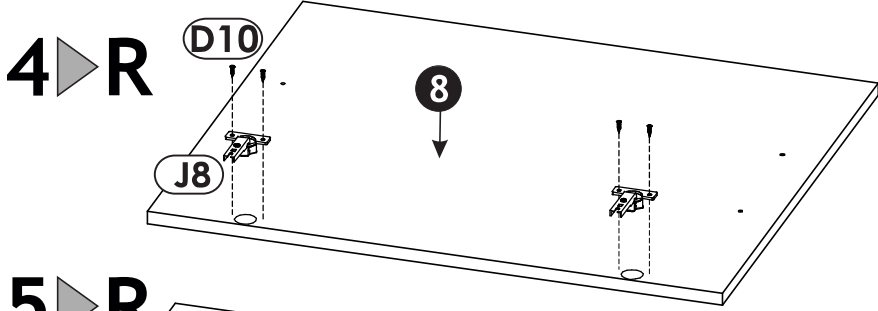


2 ▶ R

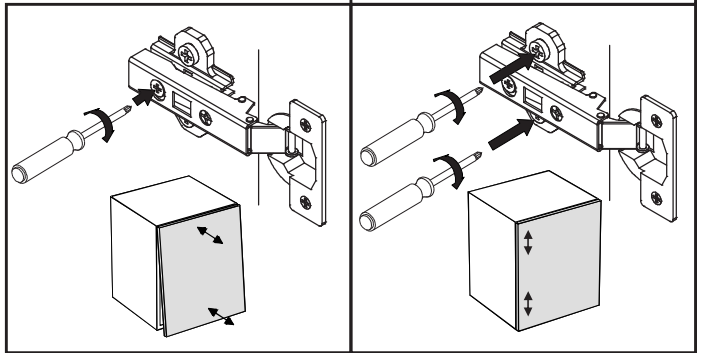
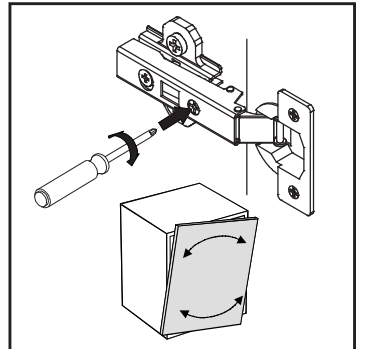
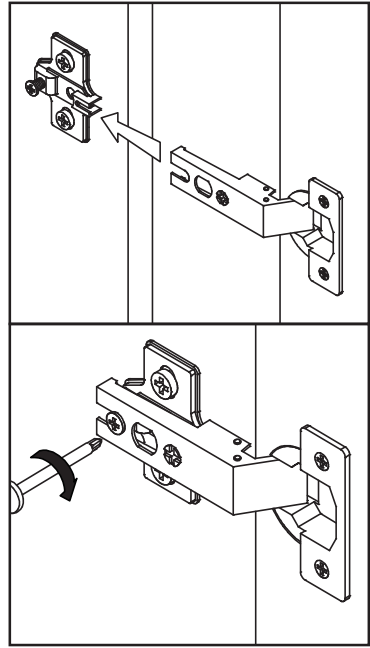
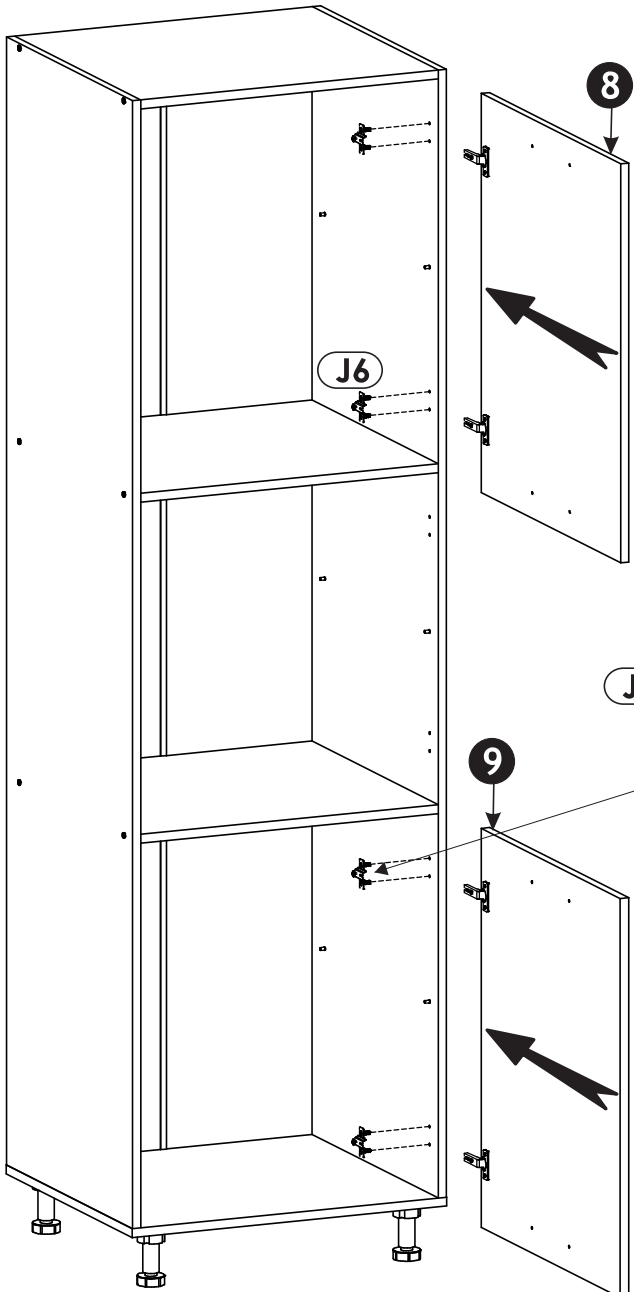


3 ▶ R

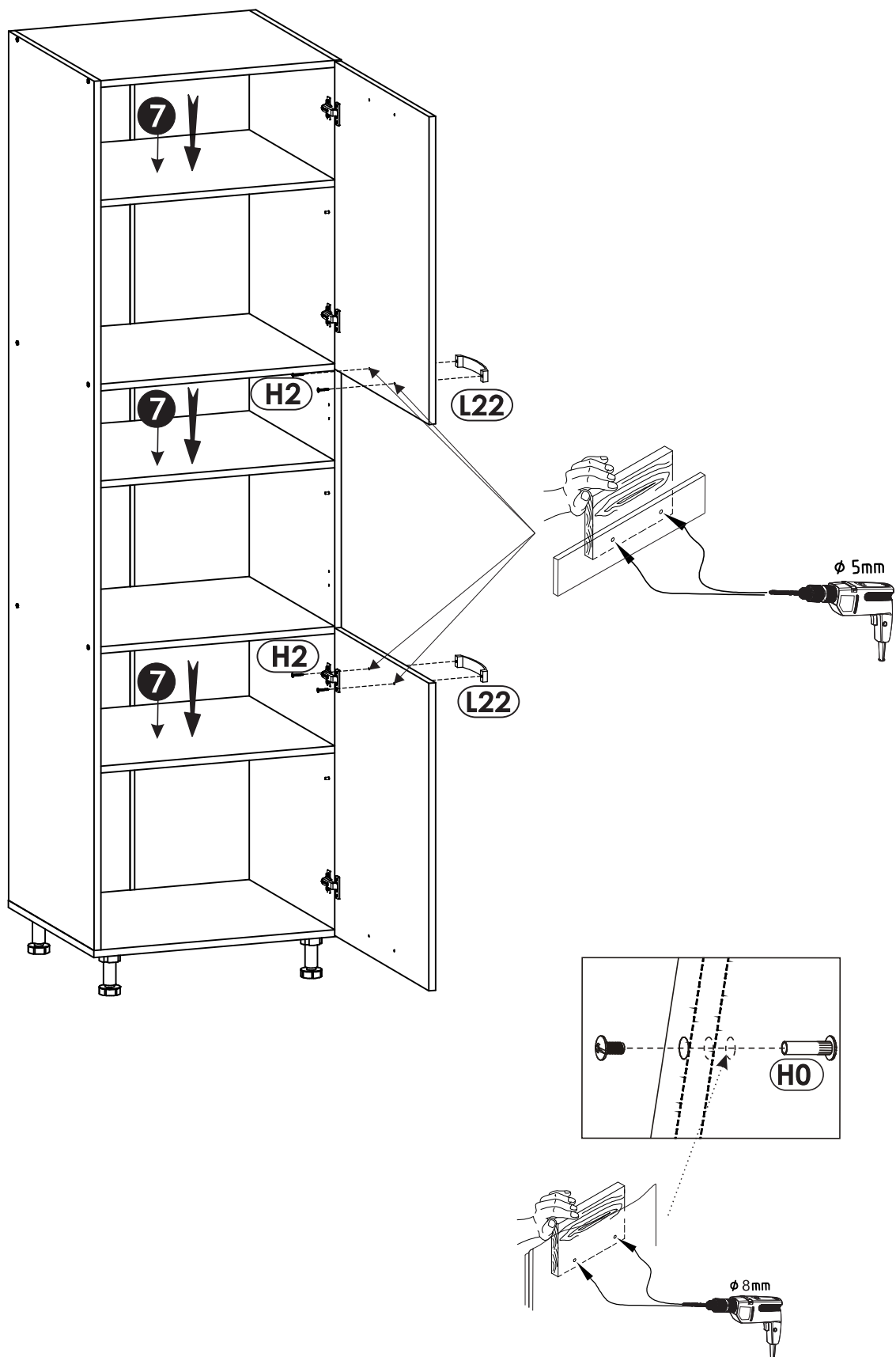




6 ▶ R



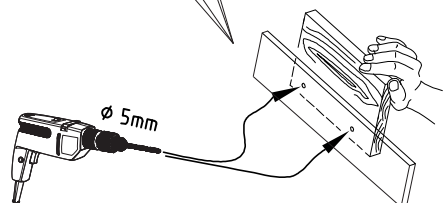
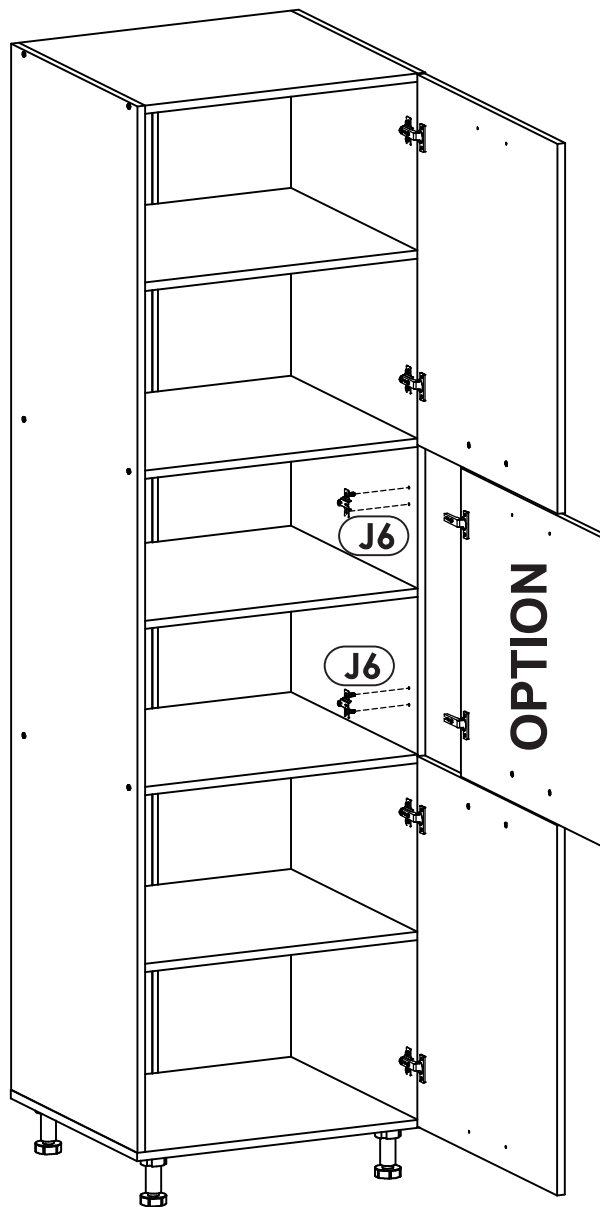
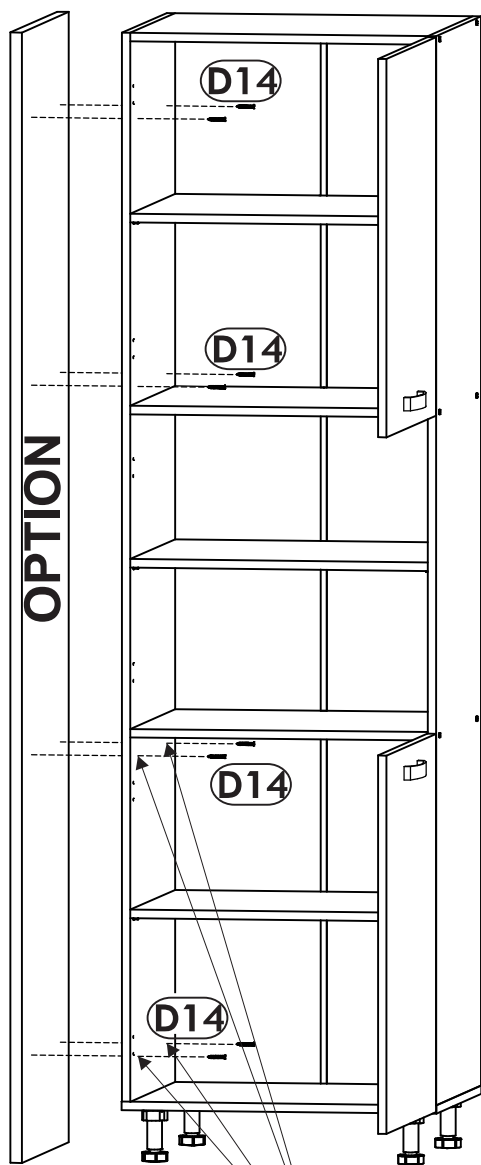
7▶R



8 ▶ R

OPTION

9 ▶ R



10▶R

OPTION

