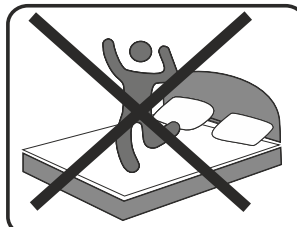
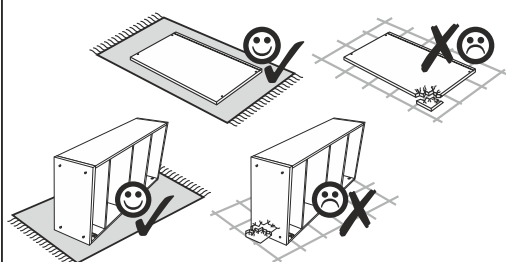
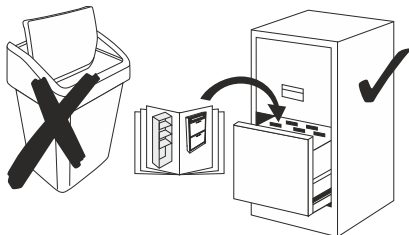
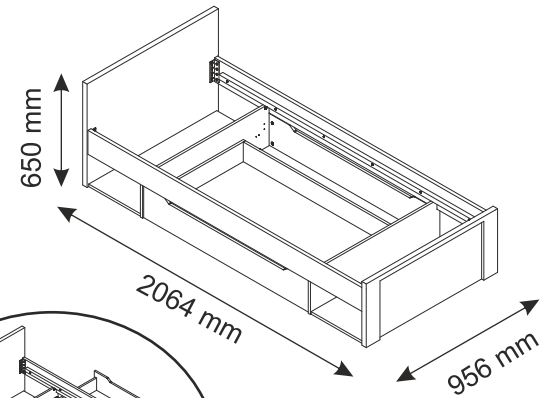
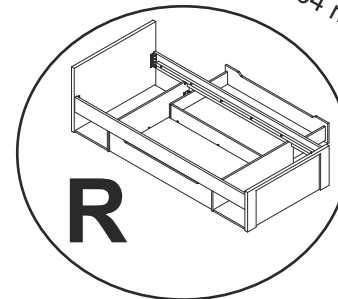
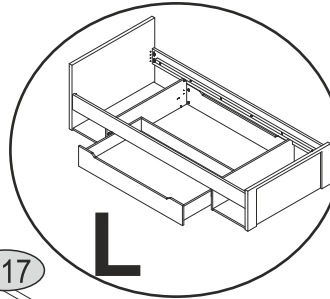
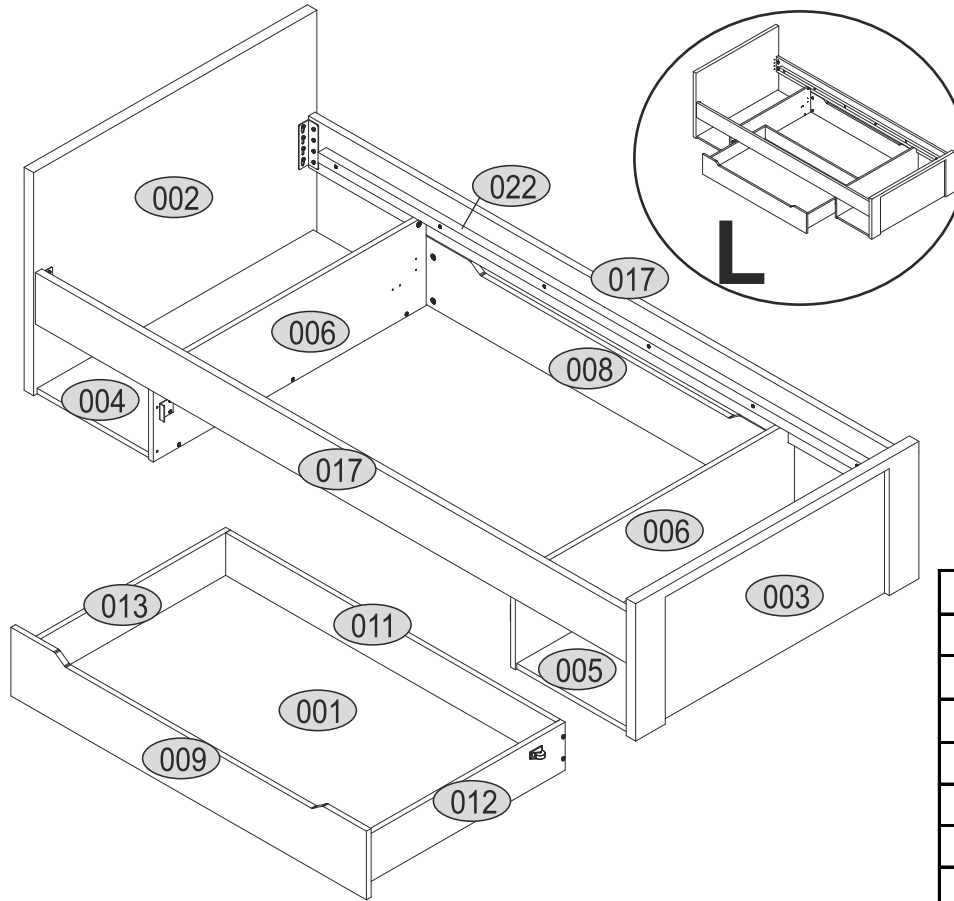
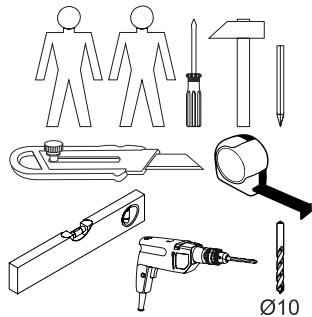
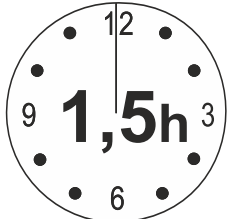




Installation manual

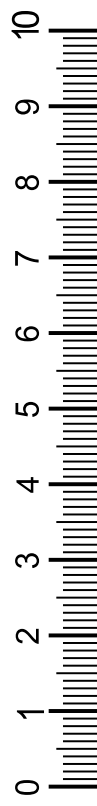
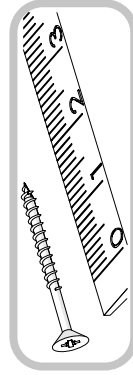
PAVI Bed 1S/90

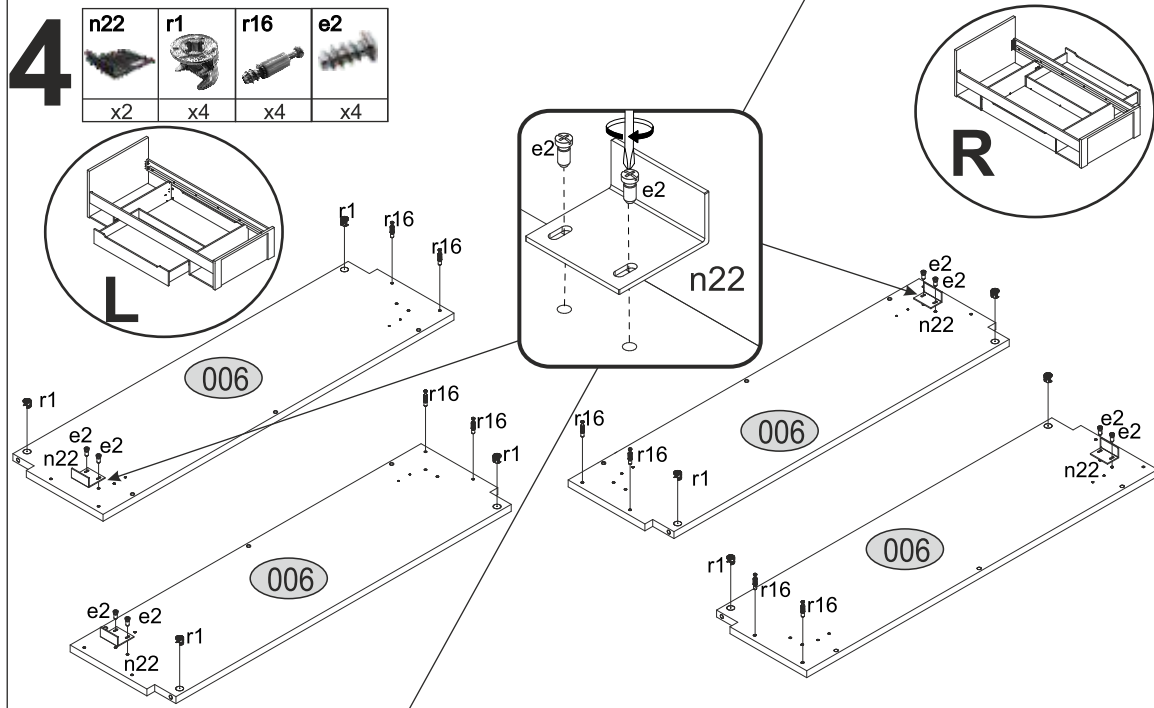
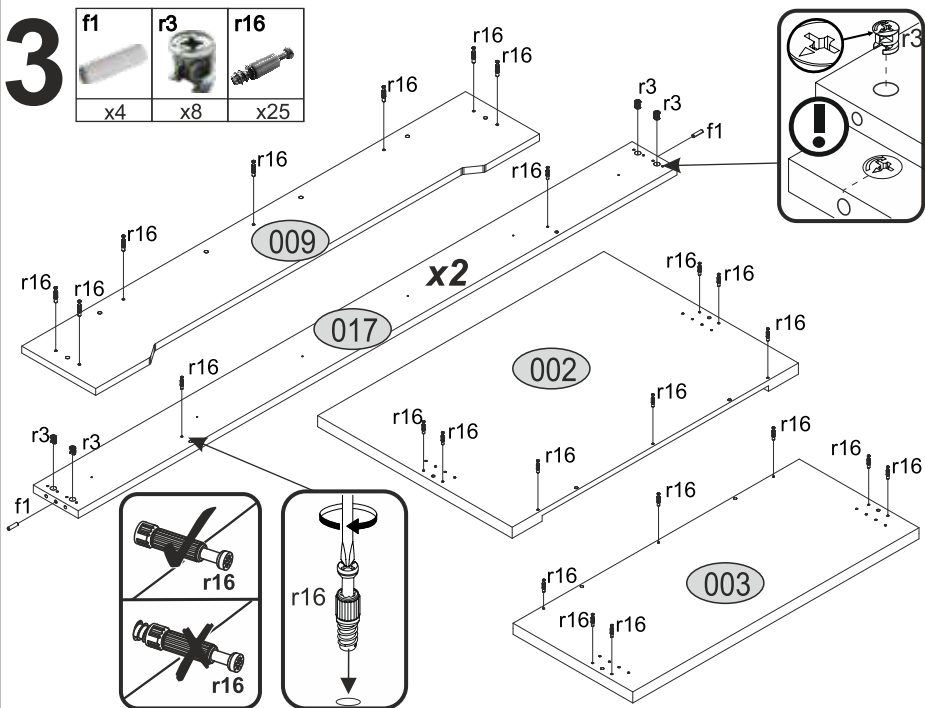
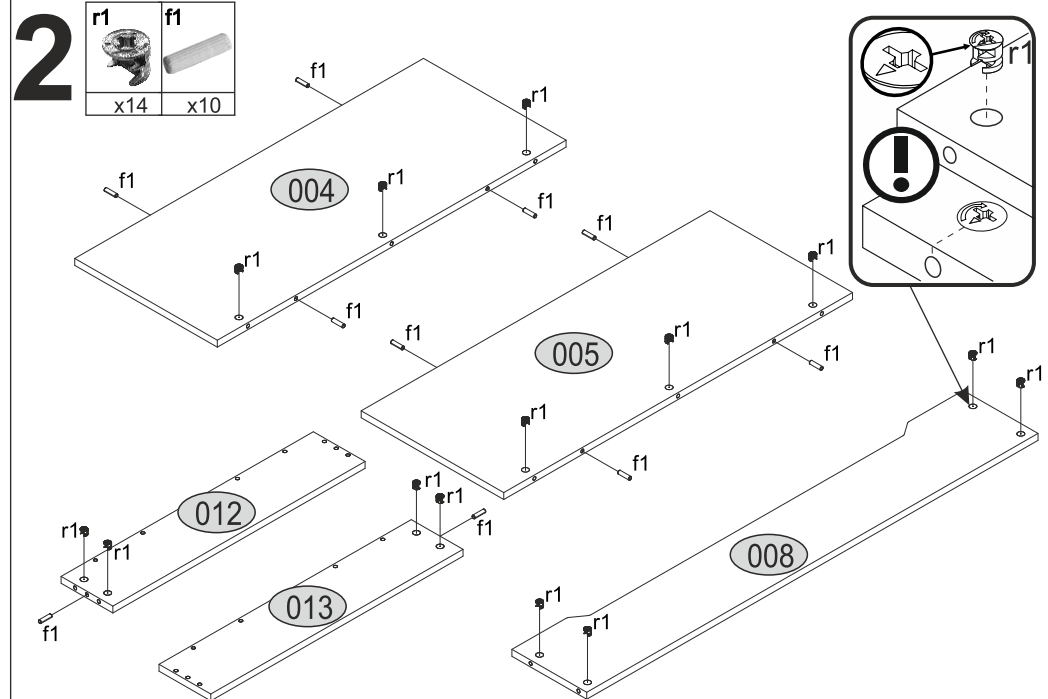
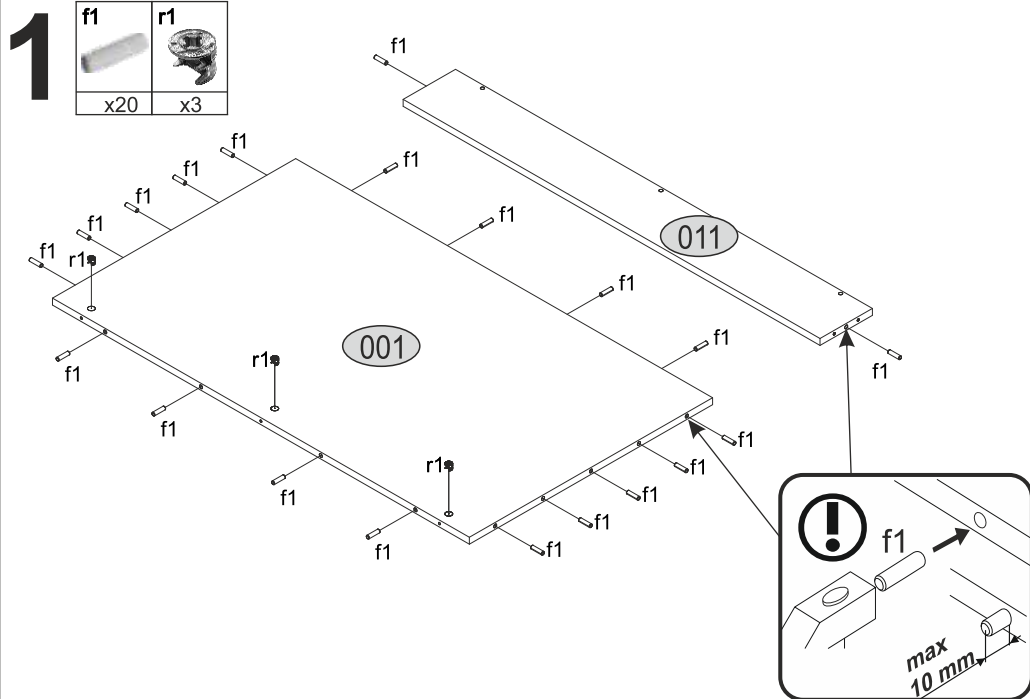


Code	Dimensions			Package	
001	1114	666	16	1	1/3
002	956	650	16/32	1	1/3
003	956	400	16/32	1	1/3
004	932	381	16	1	3/3
005	932	381	16	1	3/3
006	942	263	16	2	3/3
008	1206	200	16	1	1/3
009	1200	200	16	1	1/3
011	1114	140	16	1	2/3
012	682	140	16	1	2/3
013	682	140	16	1	2/3
017	2000	150	22	2	2/3
022	1880	26	30	2	2/3
accessories				1	1/3

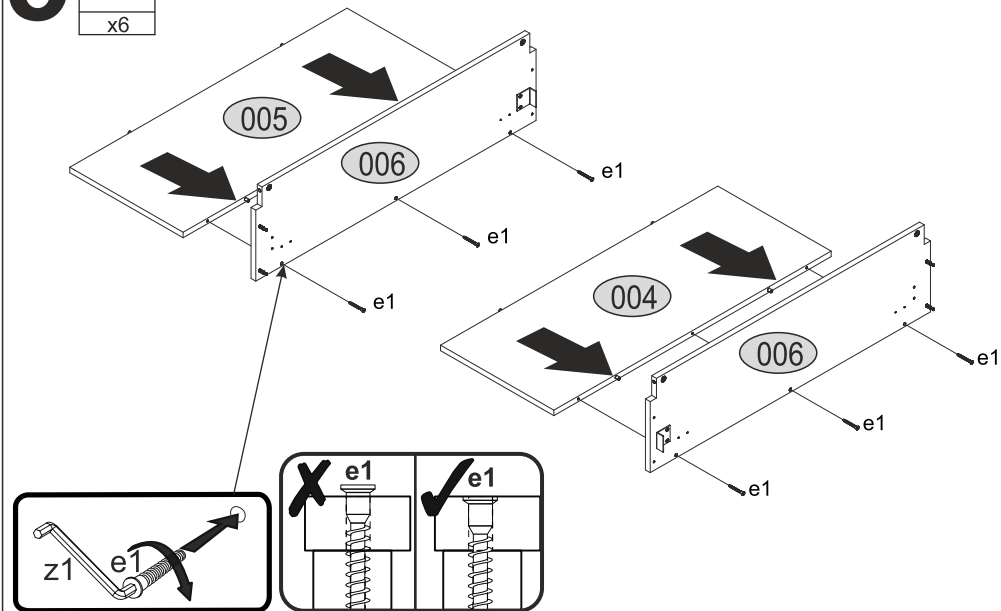
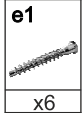
Accessories:

<p>13x e1 Ø7x50</p> 	<p>34x f1 Ø8x30</p> 	<p>8x r3</p> 	<p>2x n22</p> 
<p>36x e2 Ø6x13</p> 	<p>32x p25 Ø3.5x16</p> 	<p>21x r1 15x12</p> 	<p>29x r16 Ø5x24</p> 
<p>4x s2</p> 	<p>1x z1</p> 	<p>12x s4</p> 	<p>6x p21 Ø4x30</p> 
<p>8x k34</p> 	<p>4x n63</p> 	<p>4x n221</p> 	<p>12x p10 Ø4x40</p> 
<p>8x k1</p> 			

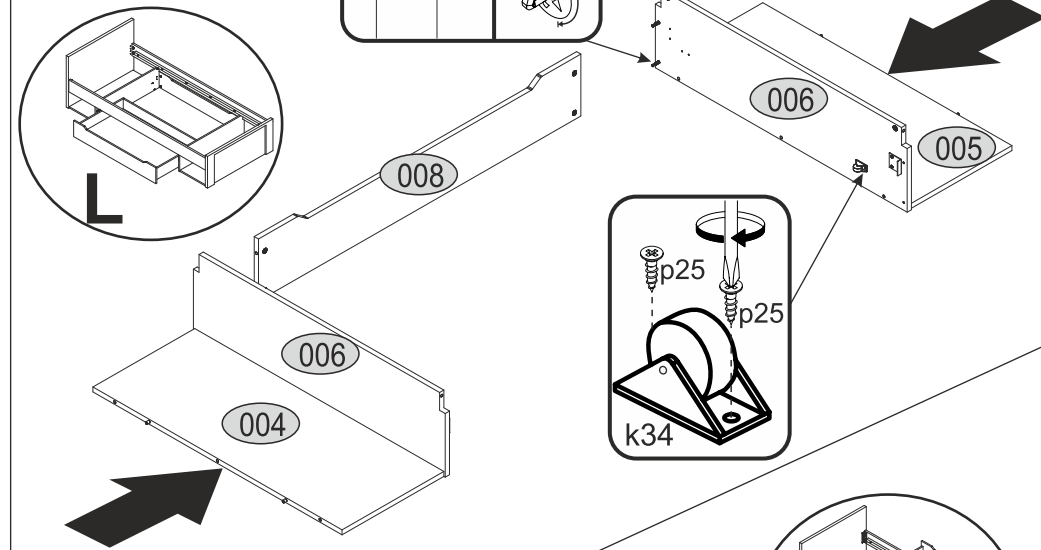
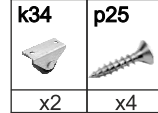




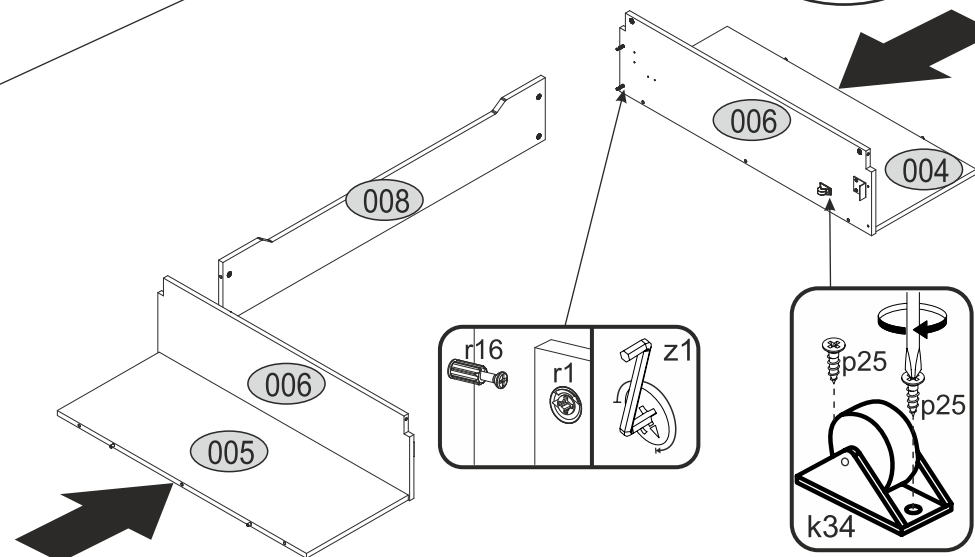
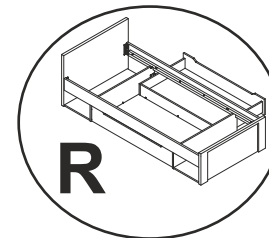
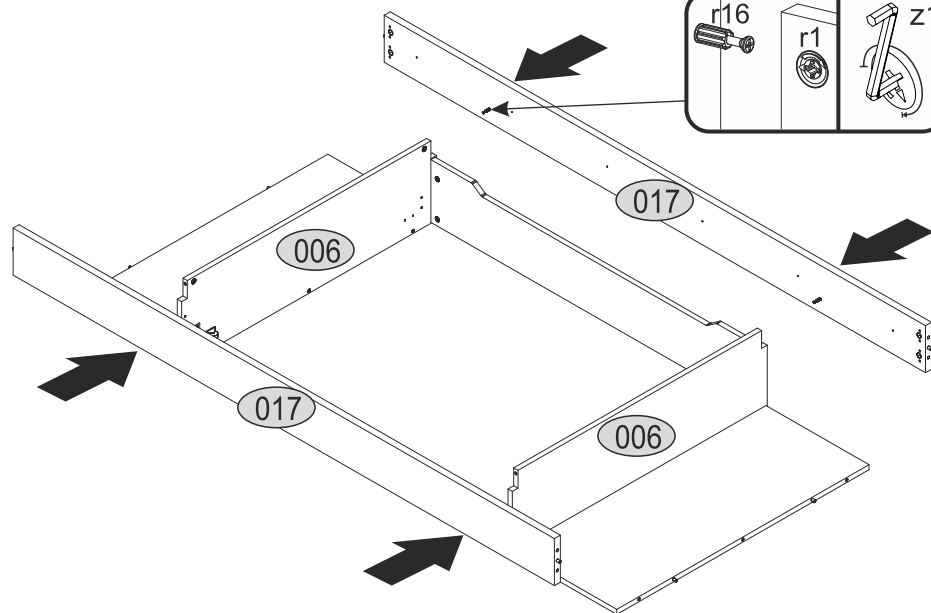
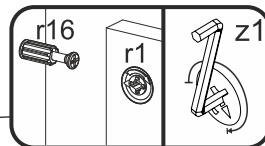
5

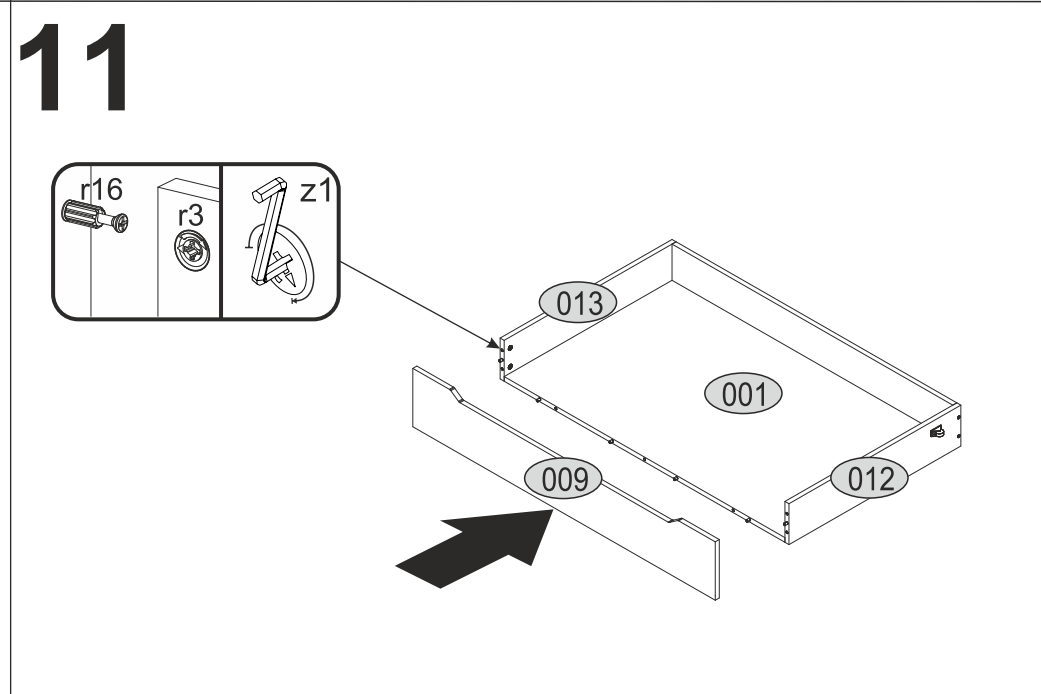
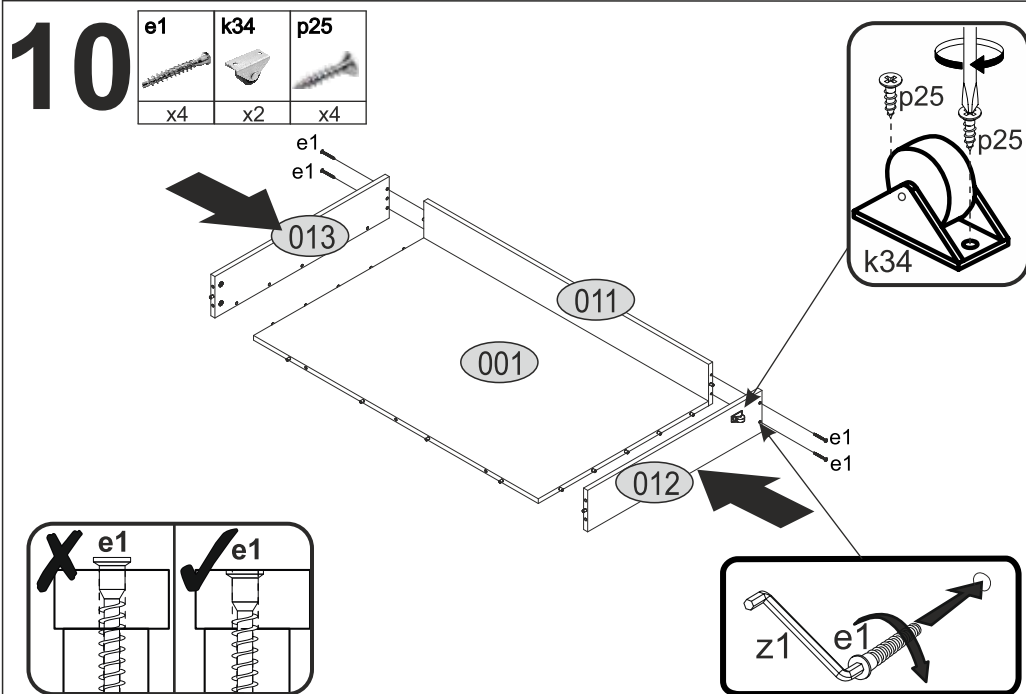
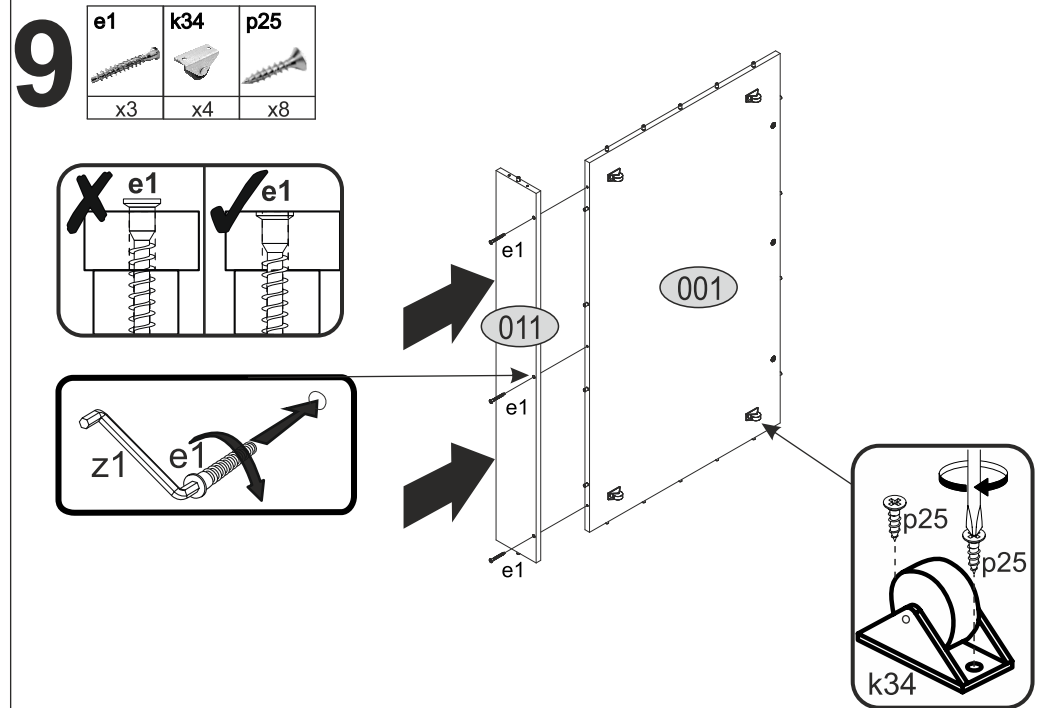
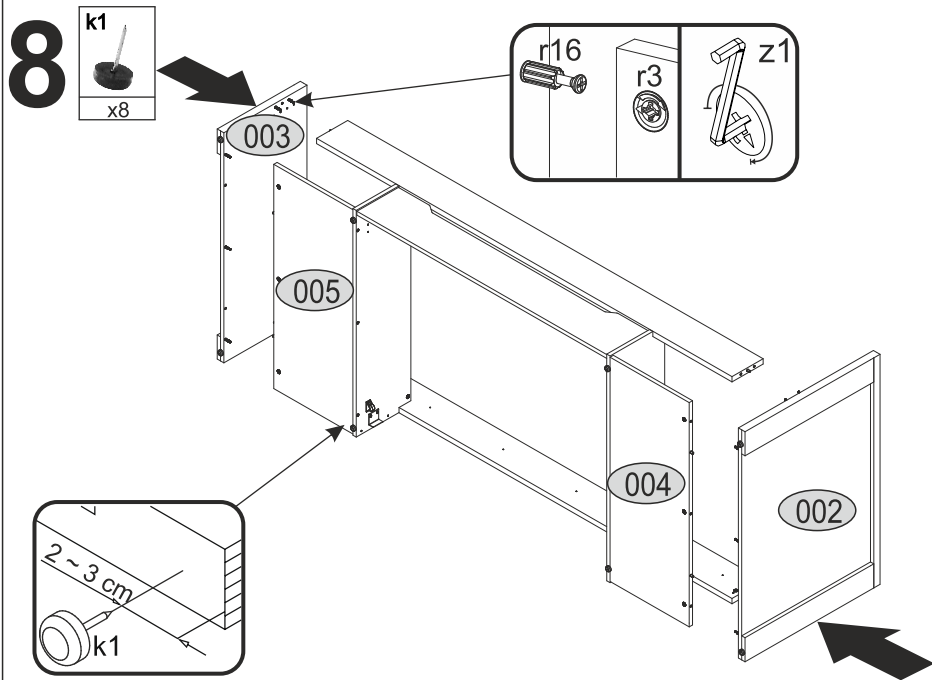


6








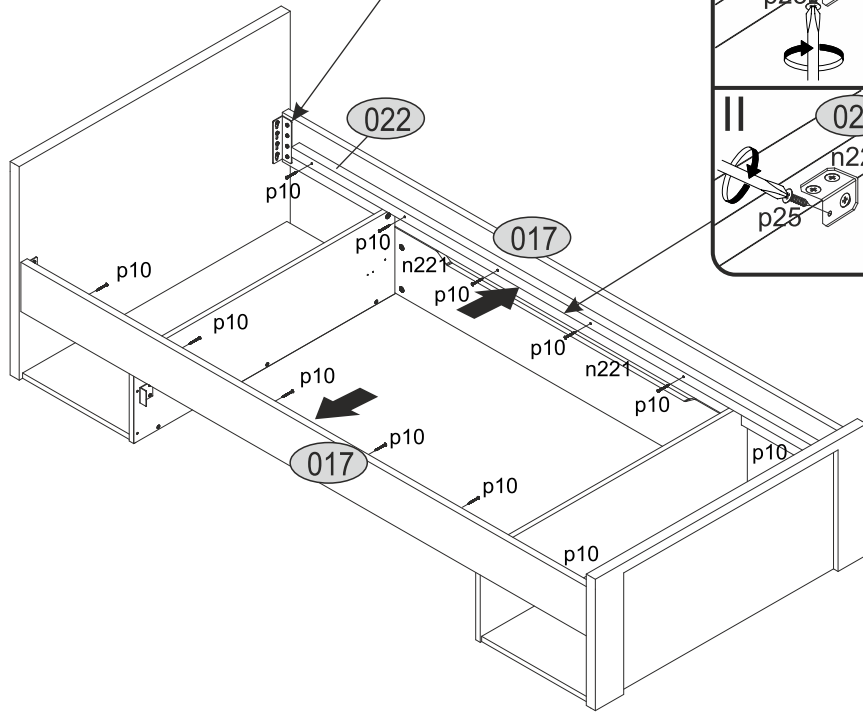
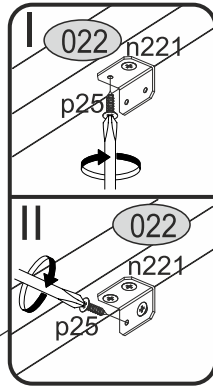
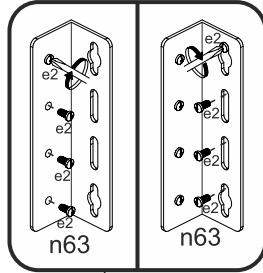
7




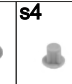


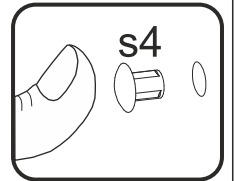
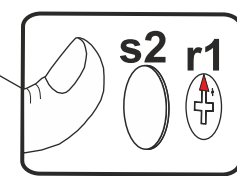
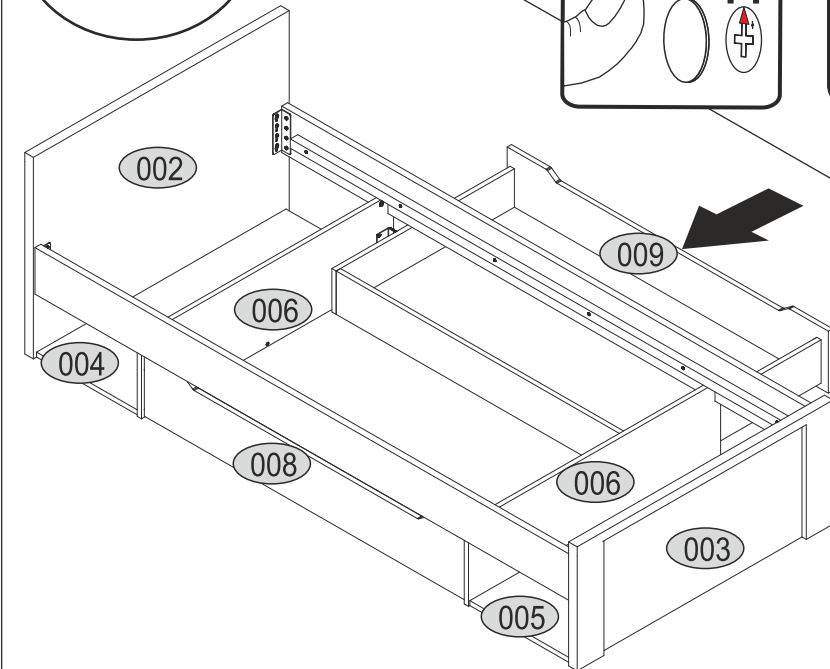
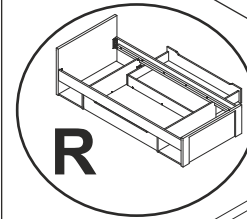
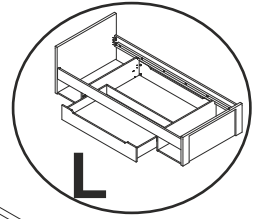
12

n63 	e2 	n221 	p25 	p10 
x4	x32	x4	x16	x12



13

s2 	s4 
x4	x12



14

p21

x6

