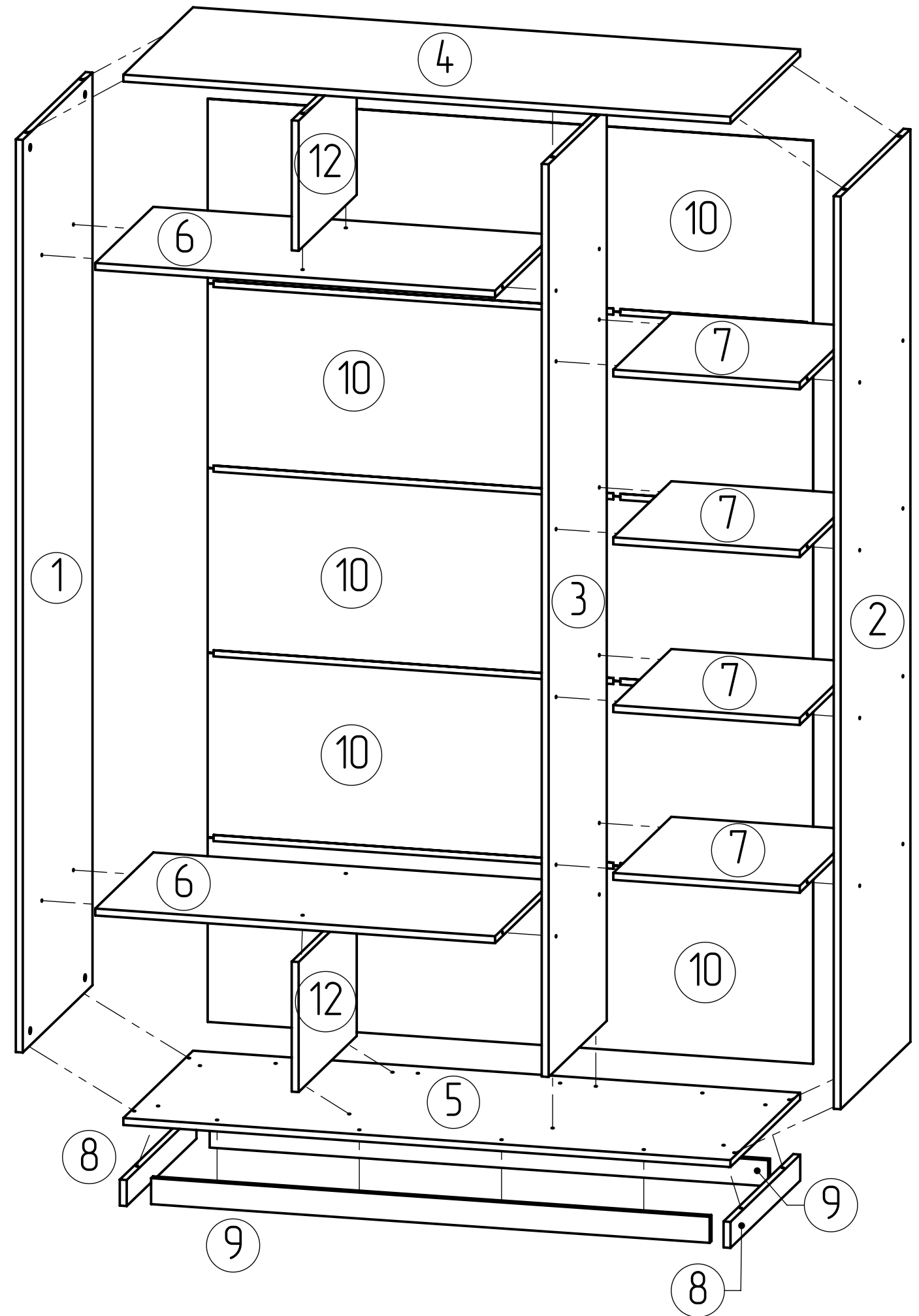


Wardrobe Diamont

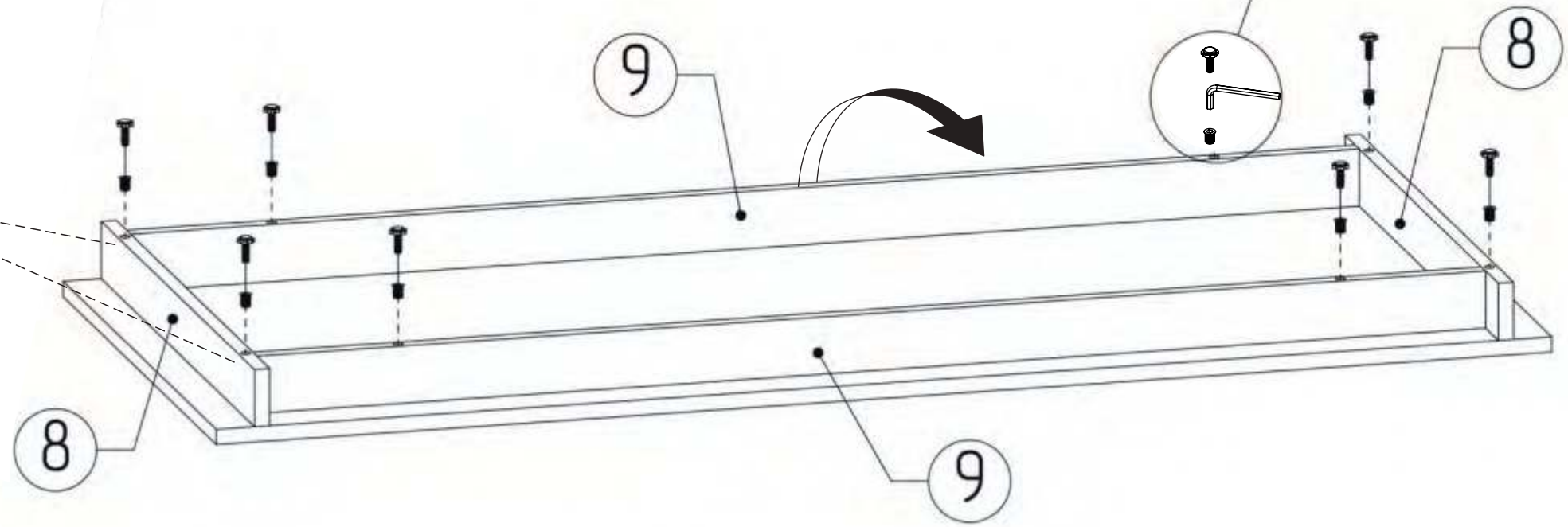
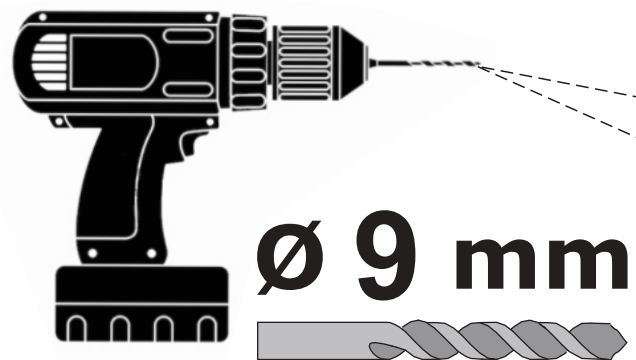
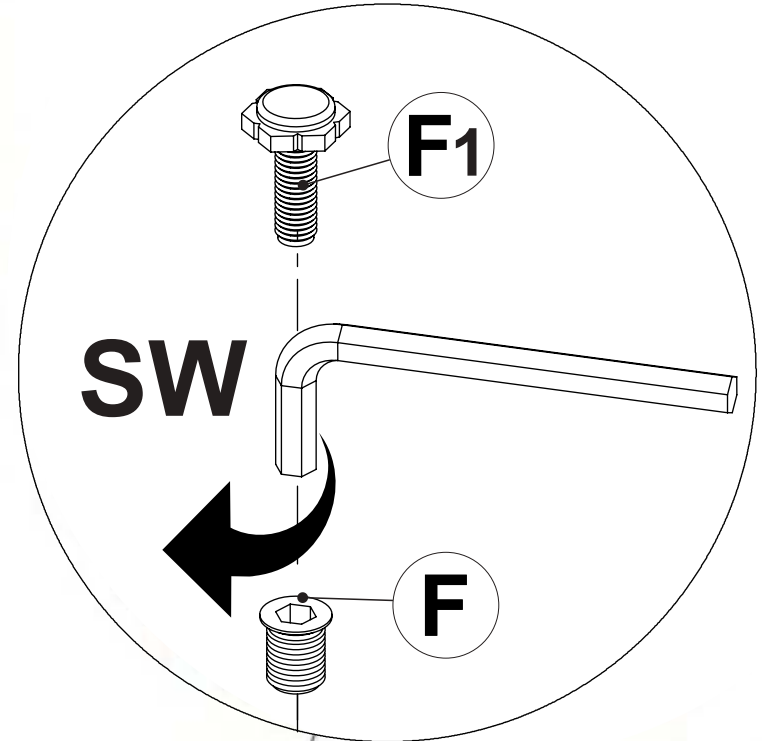
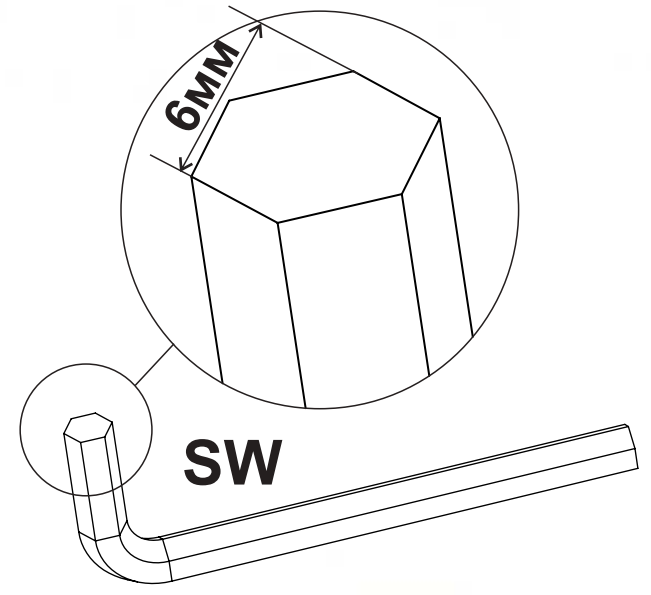
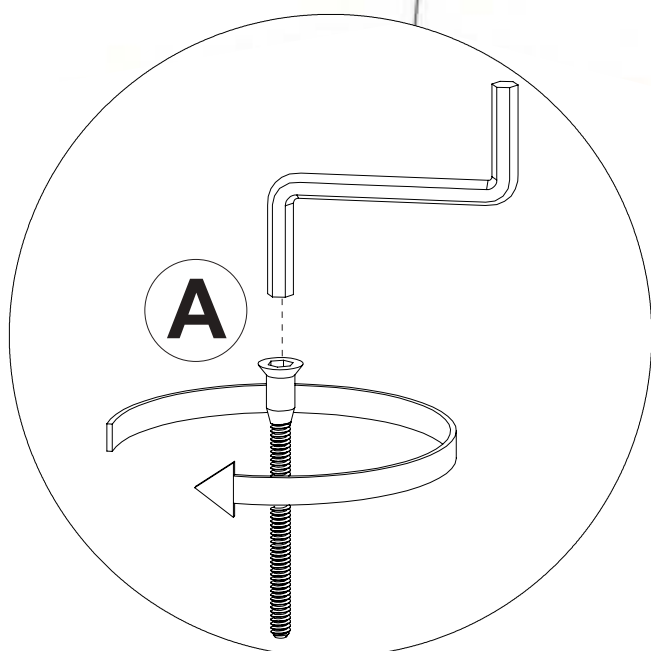
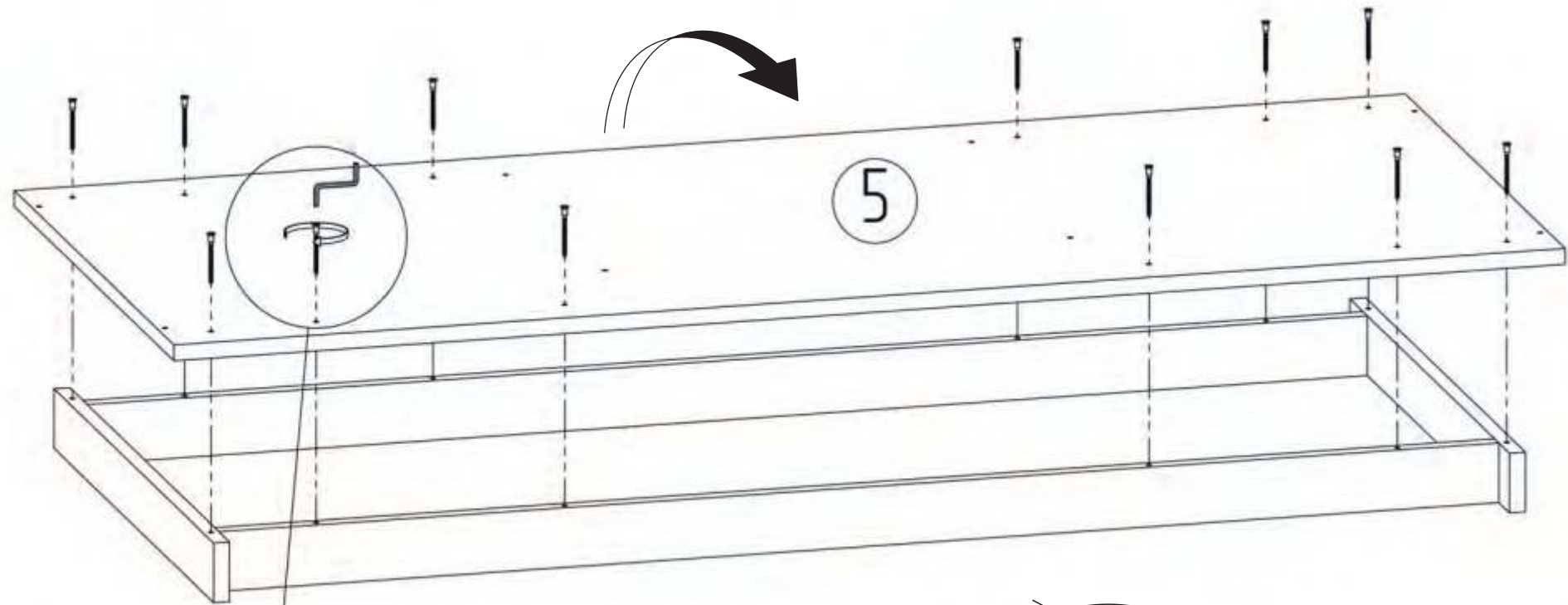


SDW 220x60x140-180

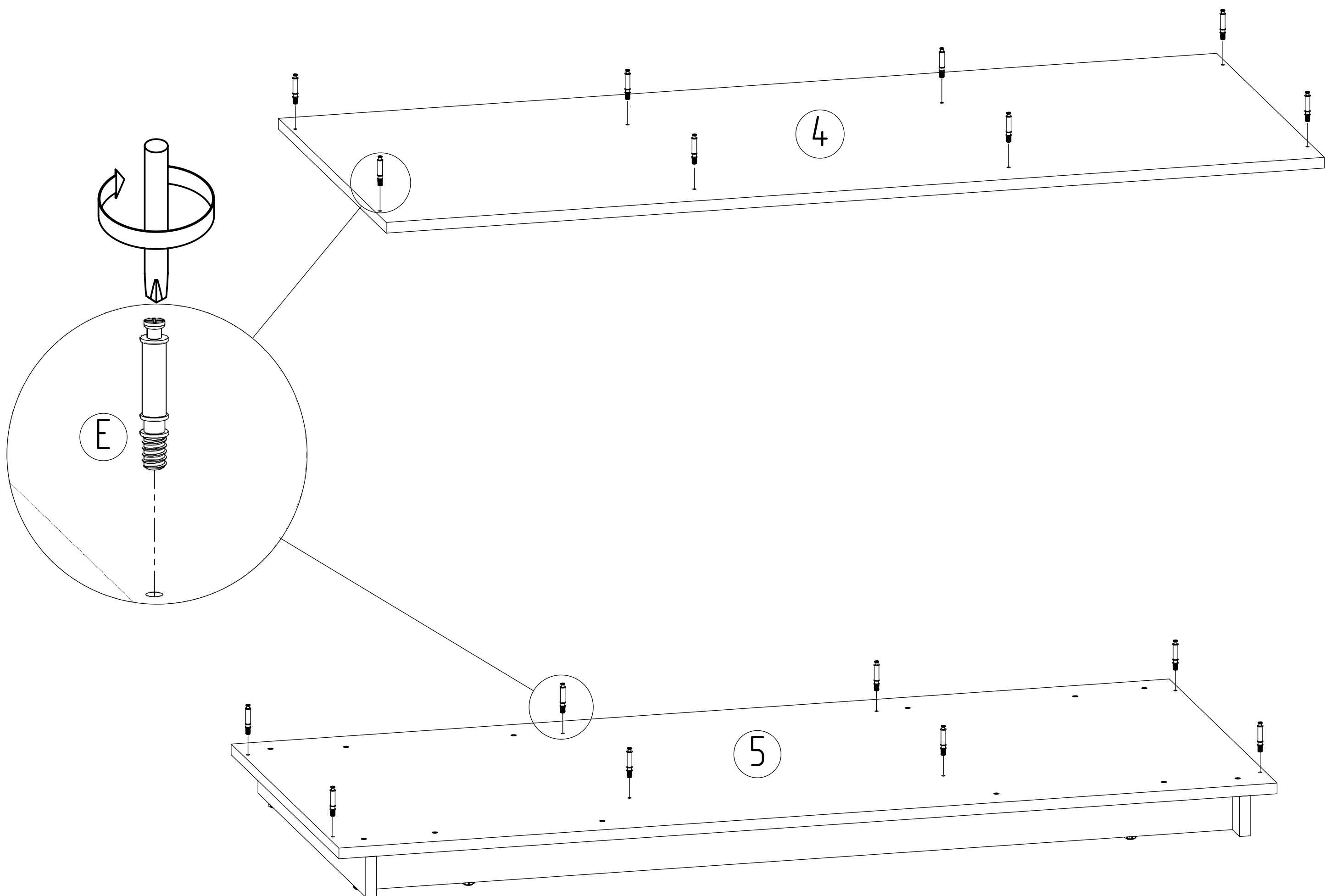
Nº	220x60x140	220x60x150	220x60x160	220x60x170	220x60x180	x
①	2105x600x16	2105x600x16	2105x600x16	2105x600x16	2105x600x16	1
②	2105x600x16	2105x600x16	2105x600x16	2105x600x16	2105x600x16	1
③	2105x500x16	2105x500x16	2105x500x16	2105x500x16	2105x500x16	1
④	1400x600x16	1500x600x16	1600x600x16	1700x600x16	1800x600x16	1
⑤	1400x600x16	1500x600x16	1600x600x16	1700x600x16	1800x600x16	1
⑥	922x500x16	1022x500x16	1122x500x16	1052x500x16	1152x500x16	2
⑦	430x500x16	430x500x16	430x500x16	600x500x16	600x500x16	4
⑧	600x60x16	600x60x16	600x60x16	600x60x16	600x60x16	2
⑨	1288x60x16	1388x60x16	1488x60x16	1588x60x16	1688x60x16	2
⑩	1396x531x2.5	1496x531x2.5	1596x531x2.5	1696x531x2.5	1796x531x2.5	4
⑪	2164x697	2164x747	2164x797	2164x847	2164x897	2
⑫	300x500x16	300x500x16	300x500x16	300x500x16	300x500x16	2
⑬	L=1366	L=1466	L=1566	L=1666	L=1766	3
⑭	L=1366	L=1466	L=1566	L=1666	L=1766	3

<p>A 6.3*50</p>  <p>x45</p>	<p>A1</p>  <p>x45</p>	<p>B 4*16</p>  <p>x24</p>	<p>C</p>  <p>x12</p>
<p>D</p>  <p>70</p>	<p>E</p>  <p>x16</p>	<p>E1</p>  <p>x16</p>	<p>F</p>  <p>x9.40</p>
<p>G</p>  <p>x2</p>	<p>G1</p>  <p>x1</p>	<p>H</p>  <p>x2</p>	<p>I</p>  <p>x8</p>
<p>J</p>  <p>x8</p>	<p>K 3.5*16</p>  <p>x6</p>	<p>L</p>  <p>x1</p>	

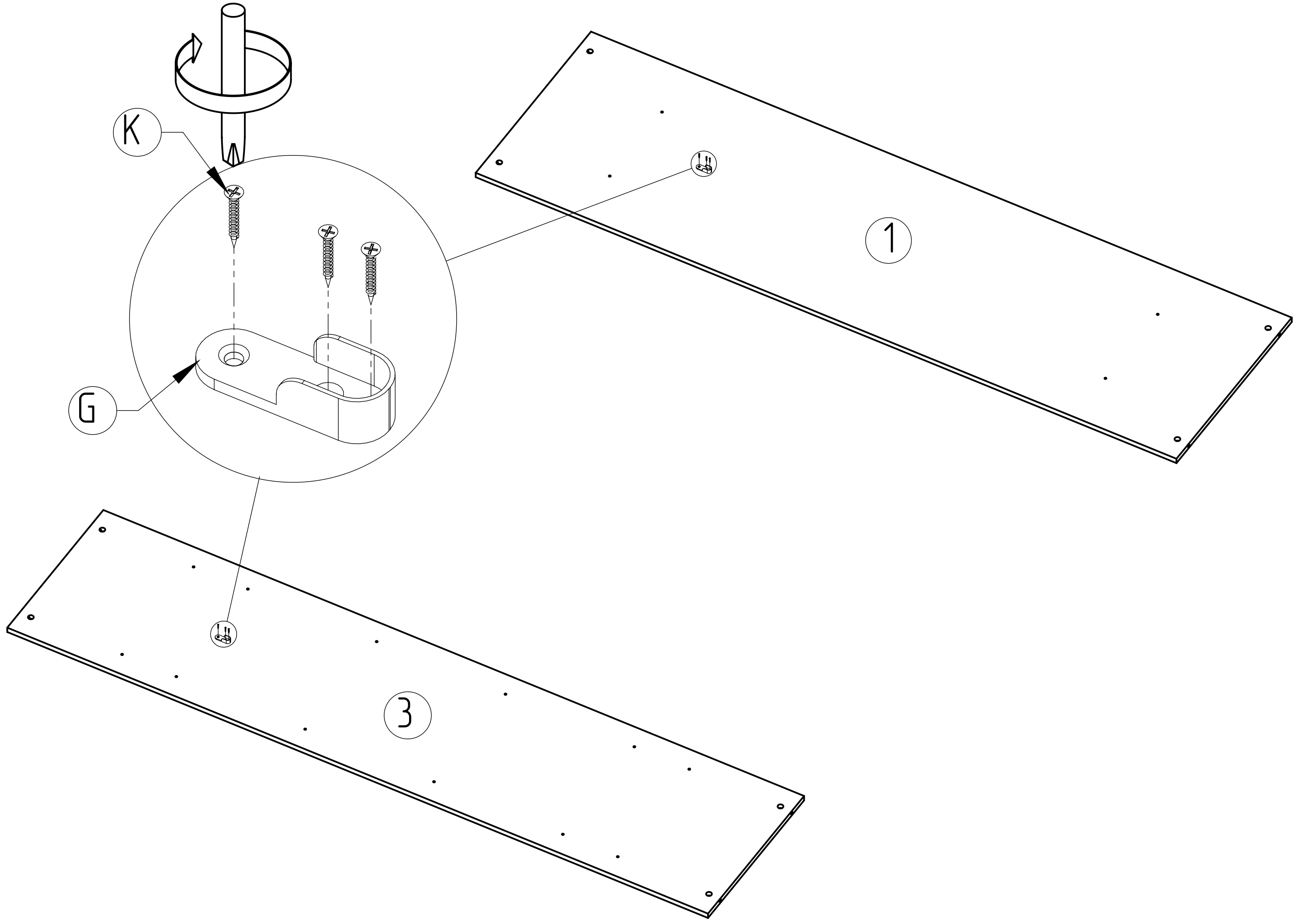
1



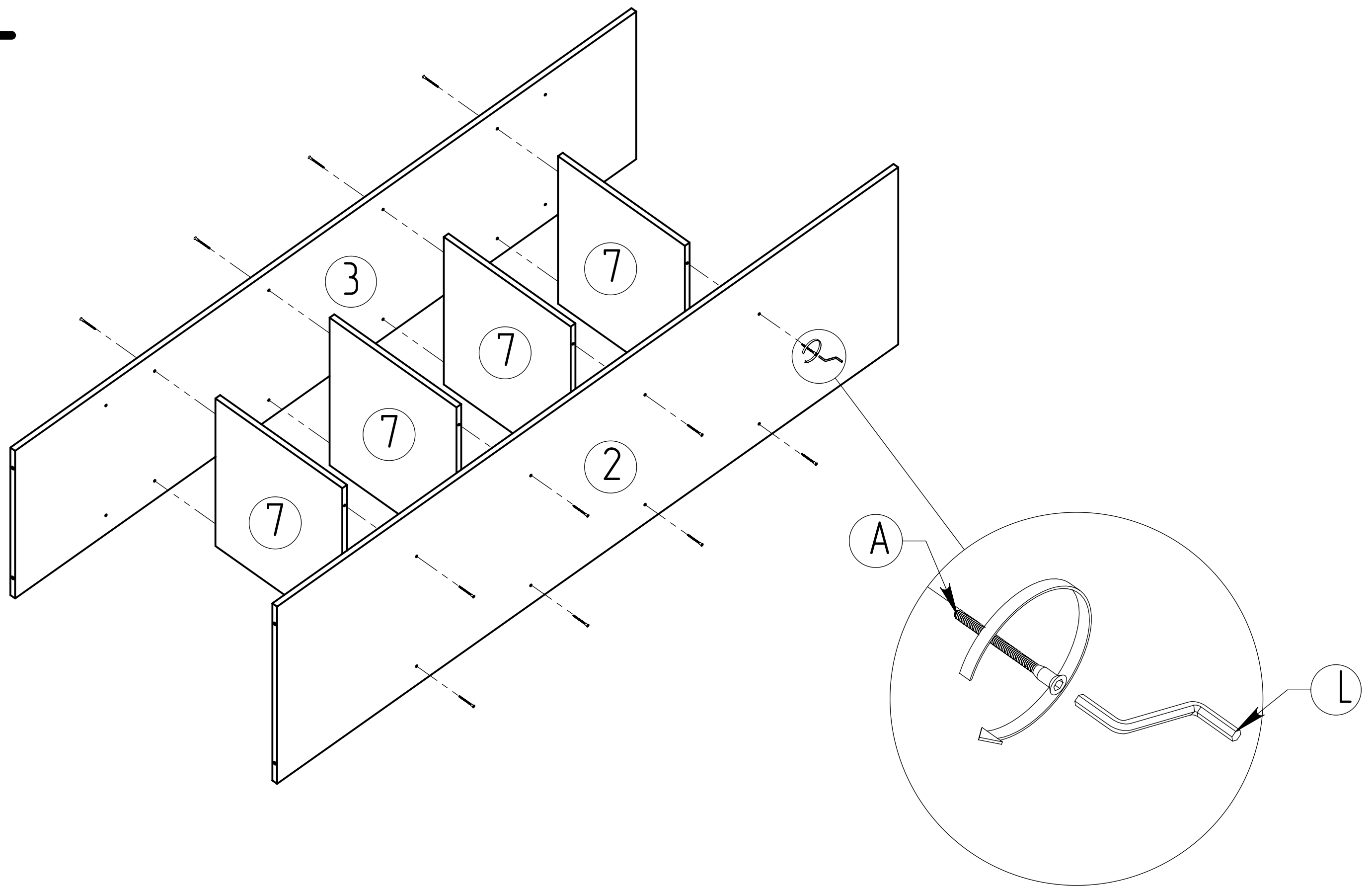
2



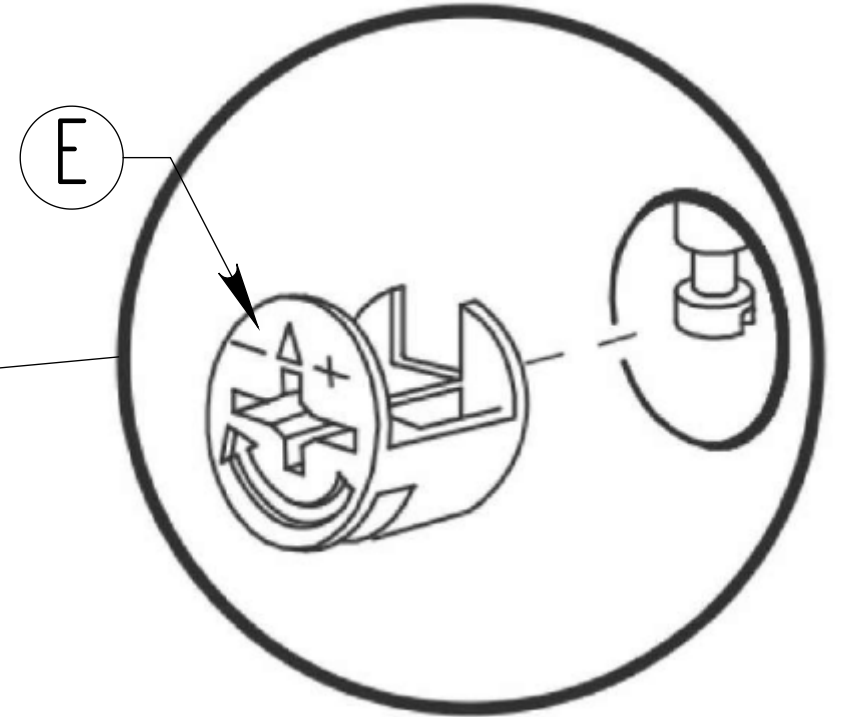
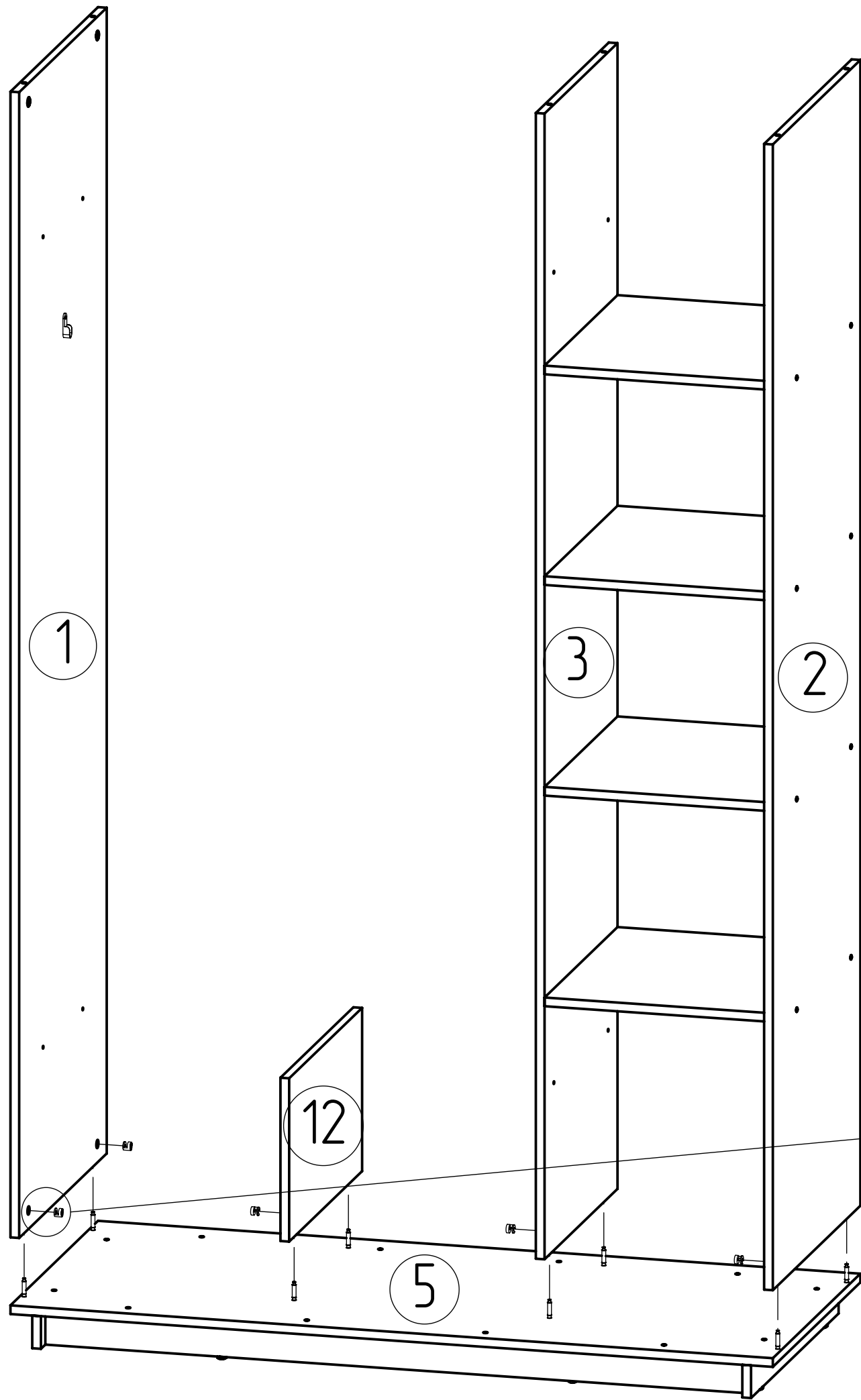
3



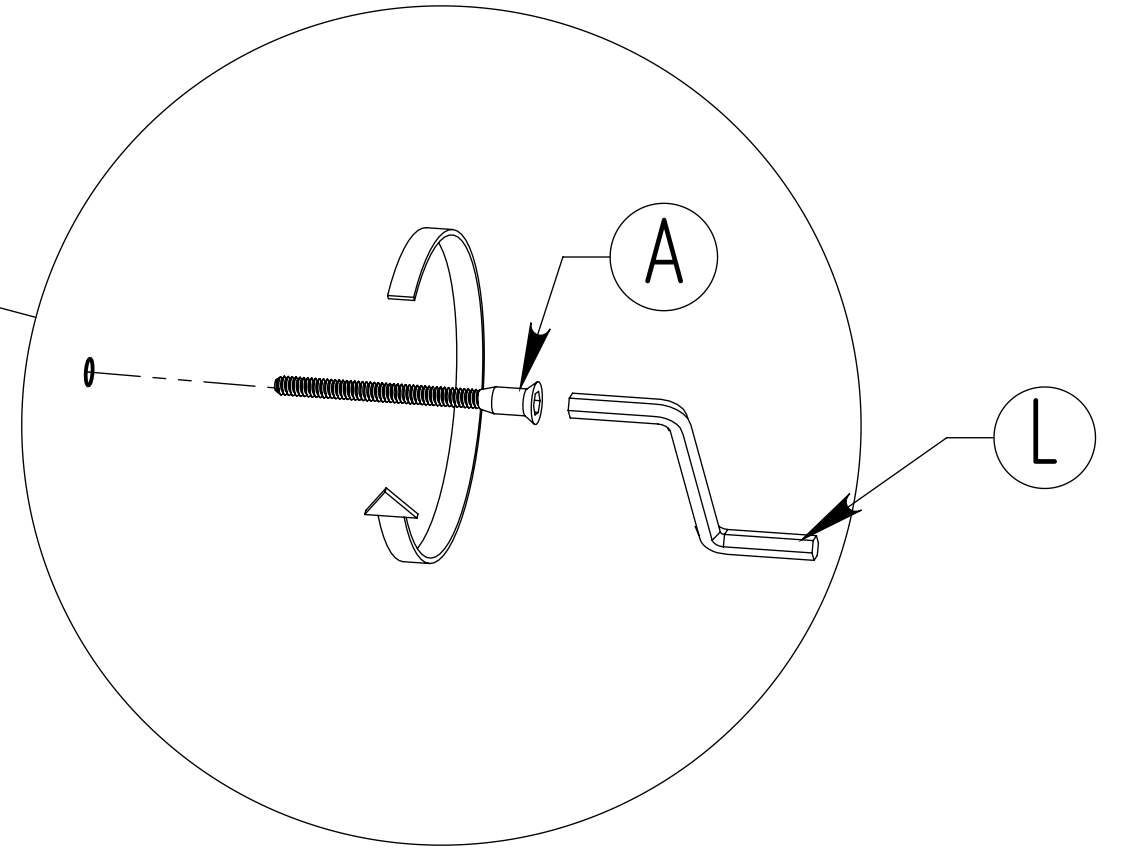
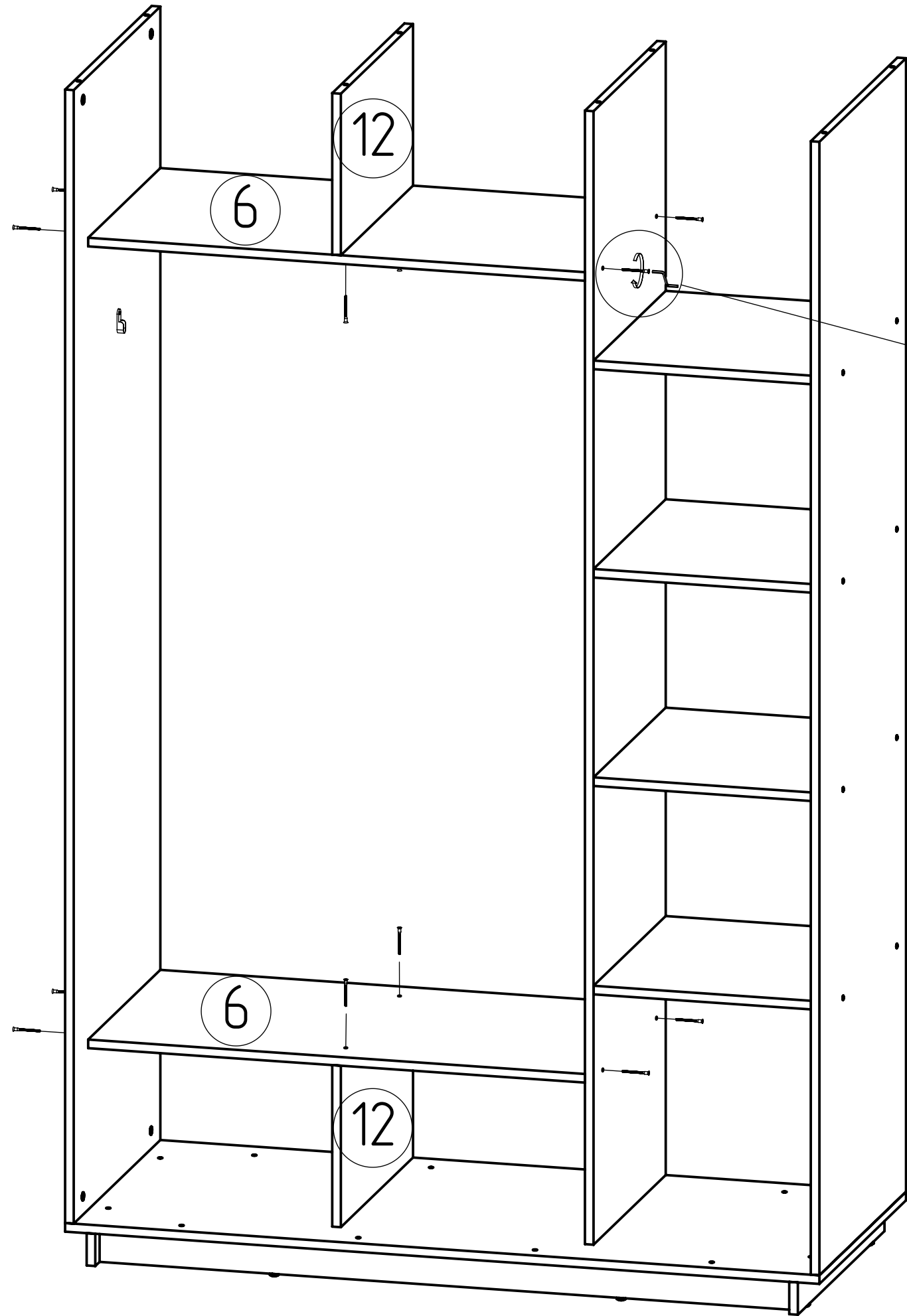
4



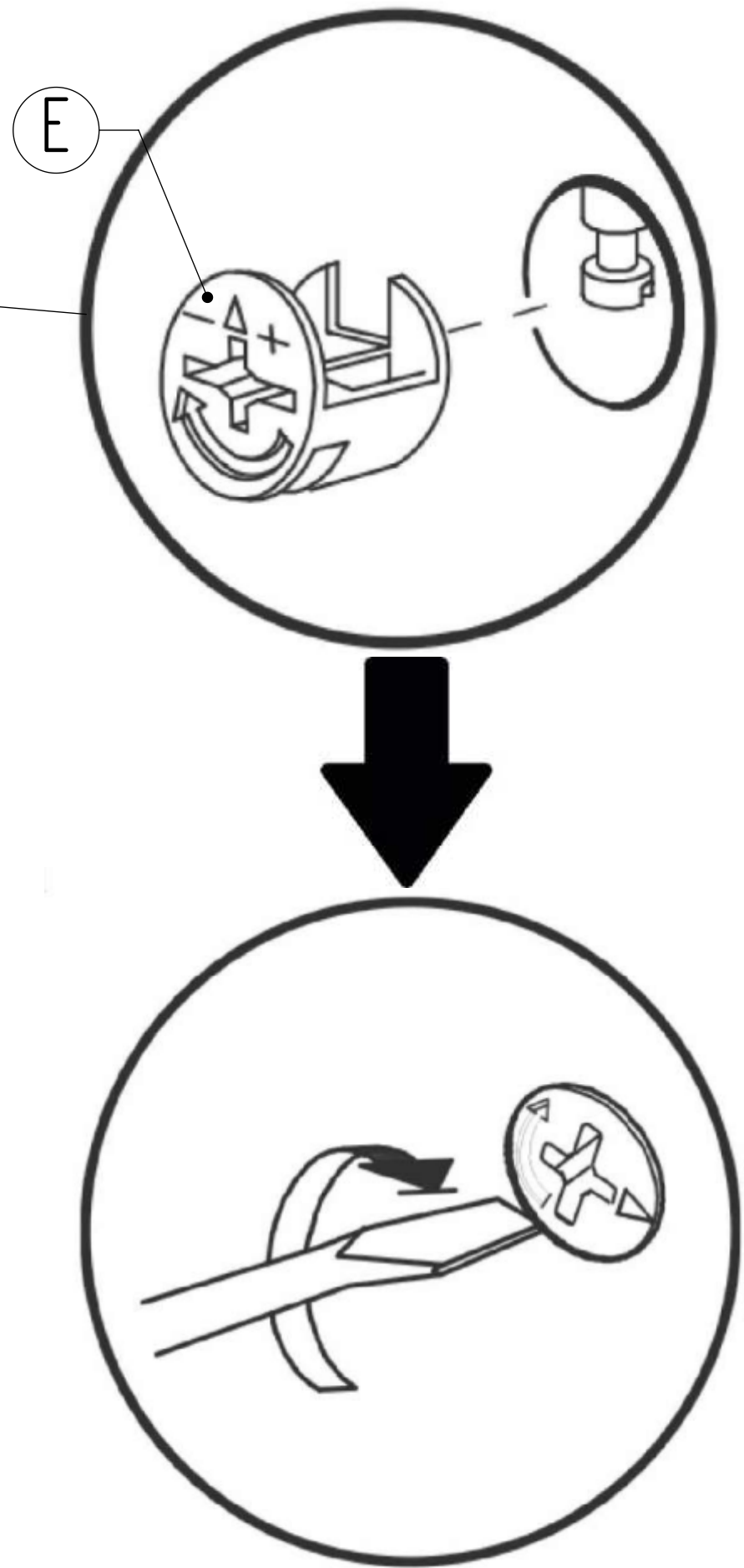
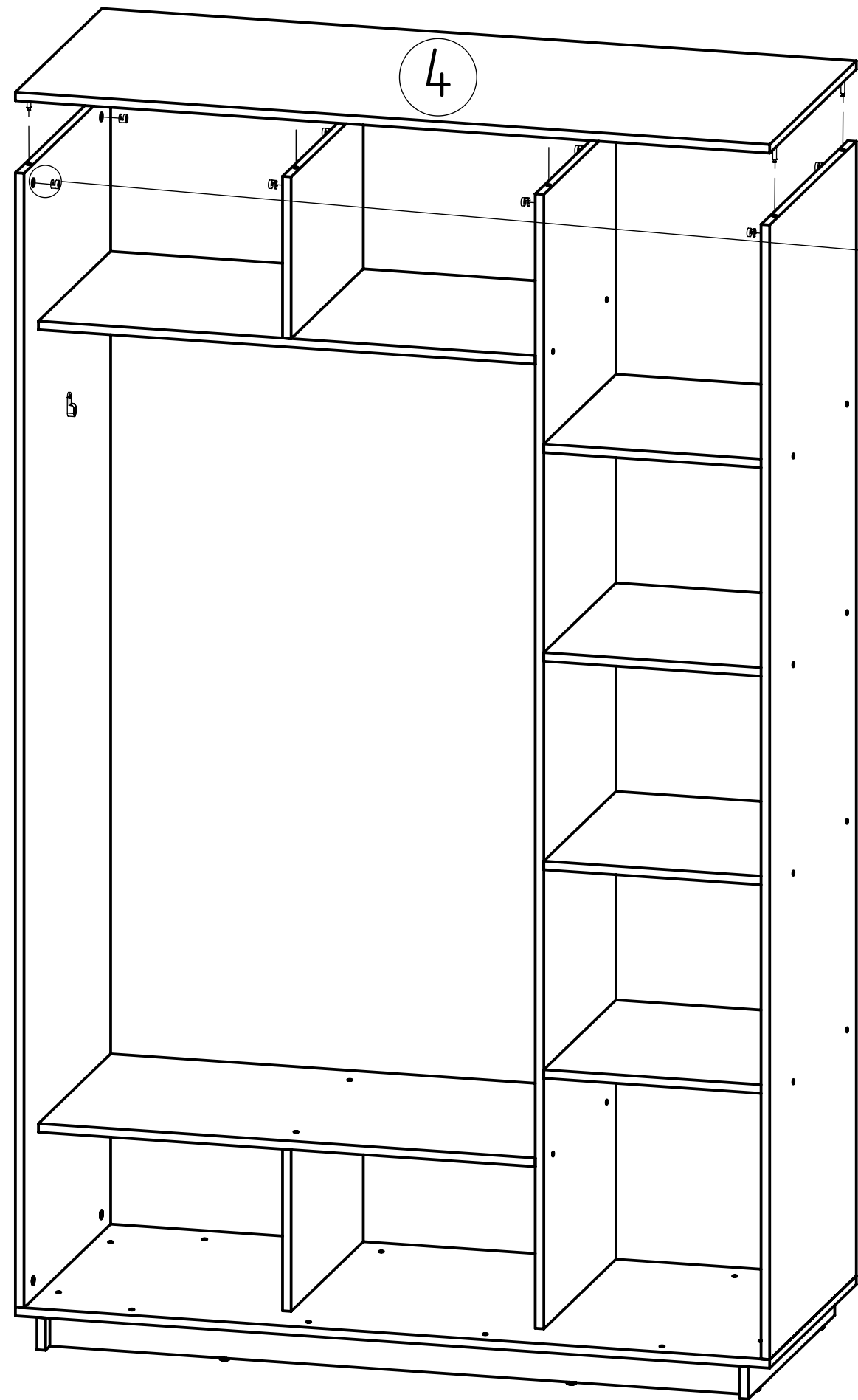
5



6

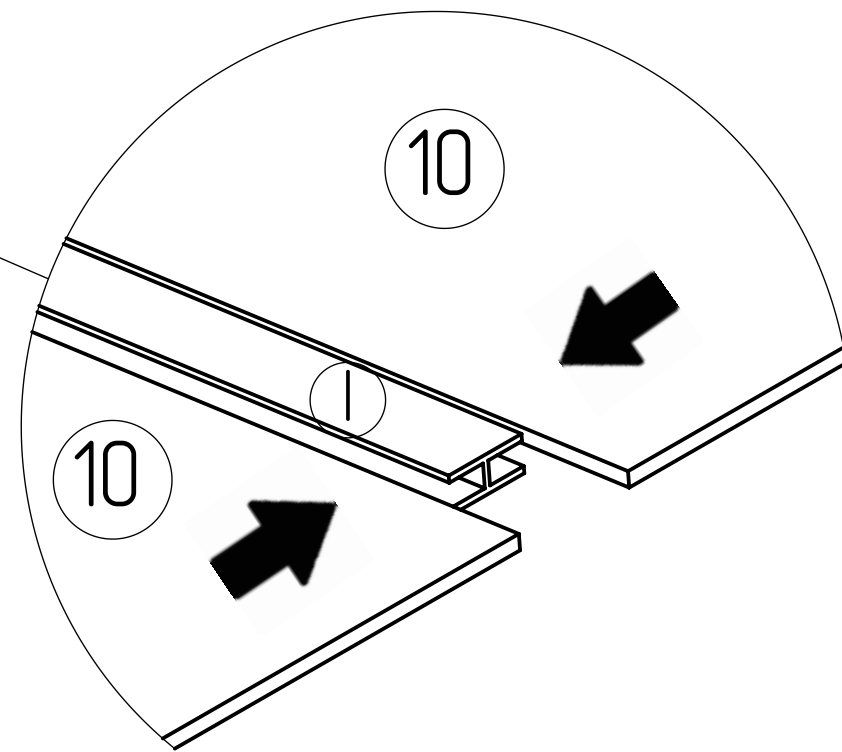
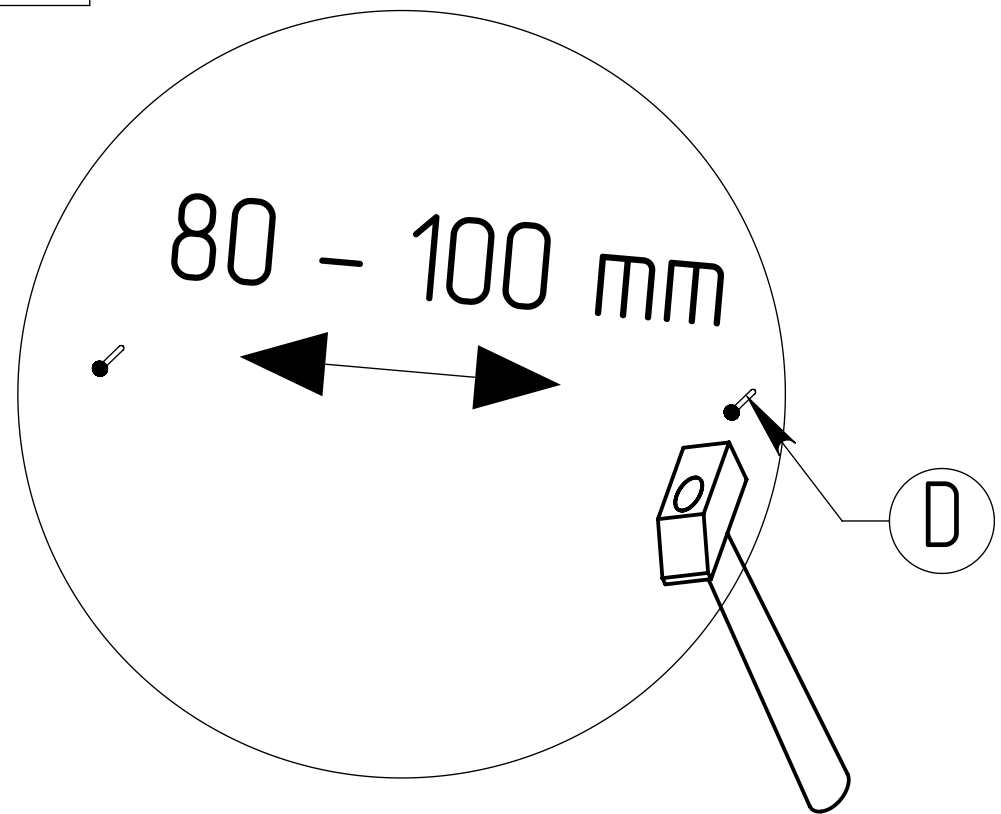
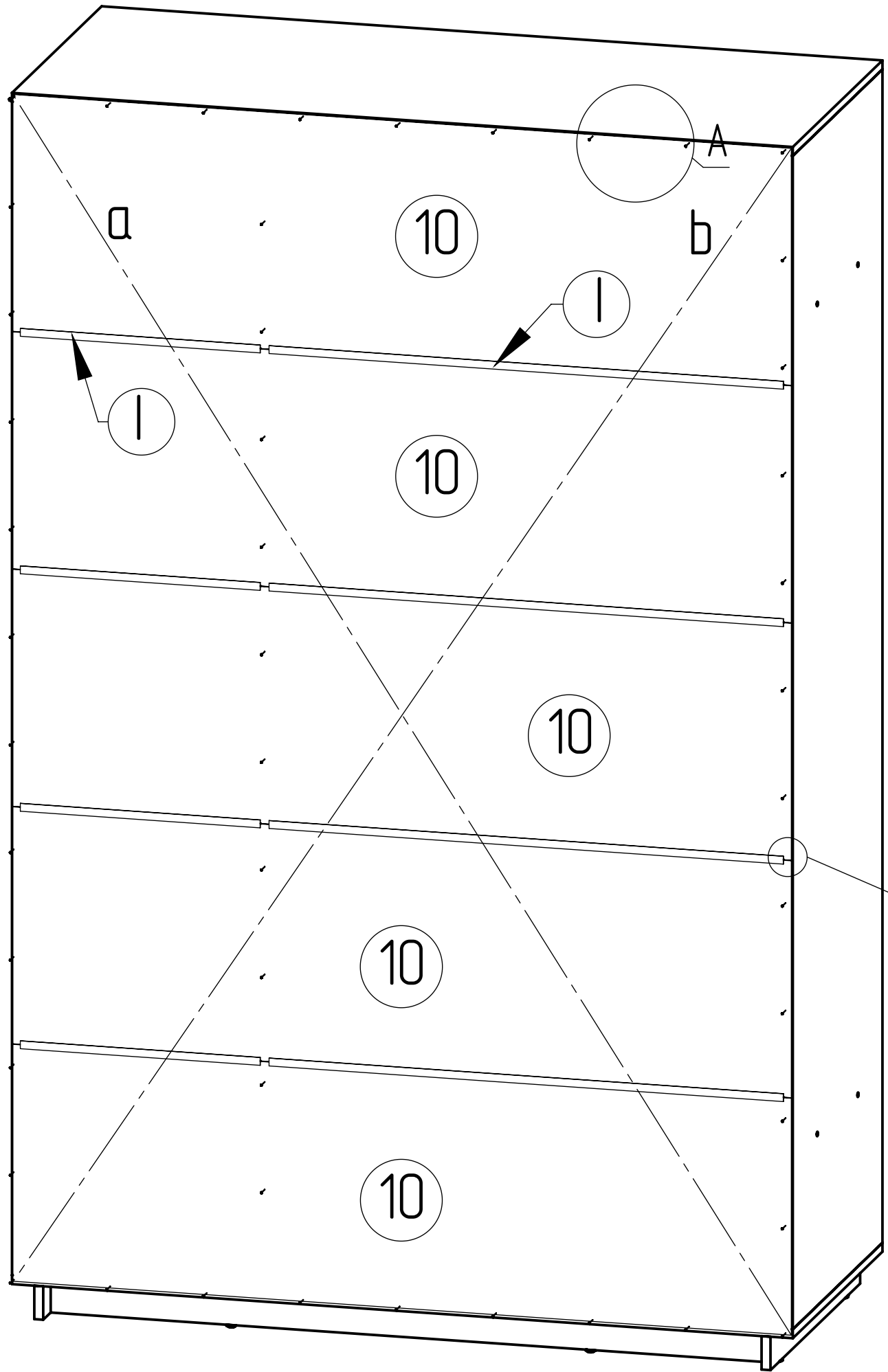


7

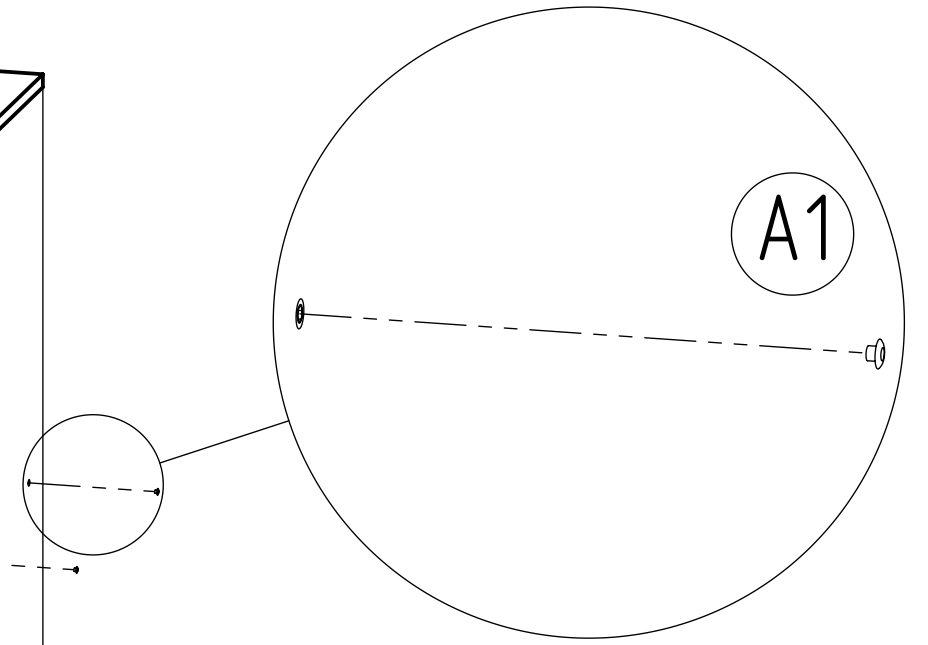
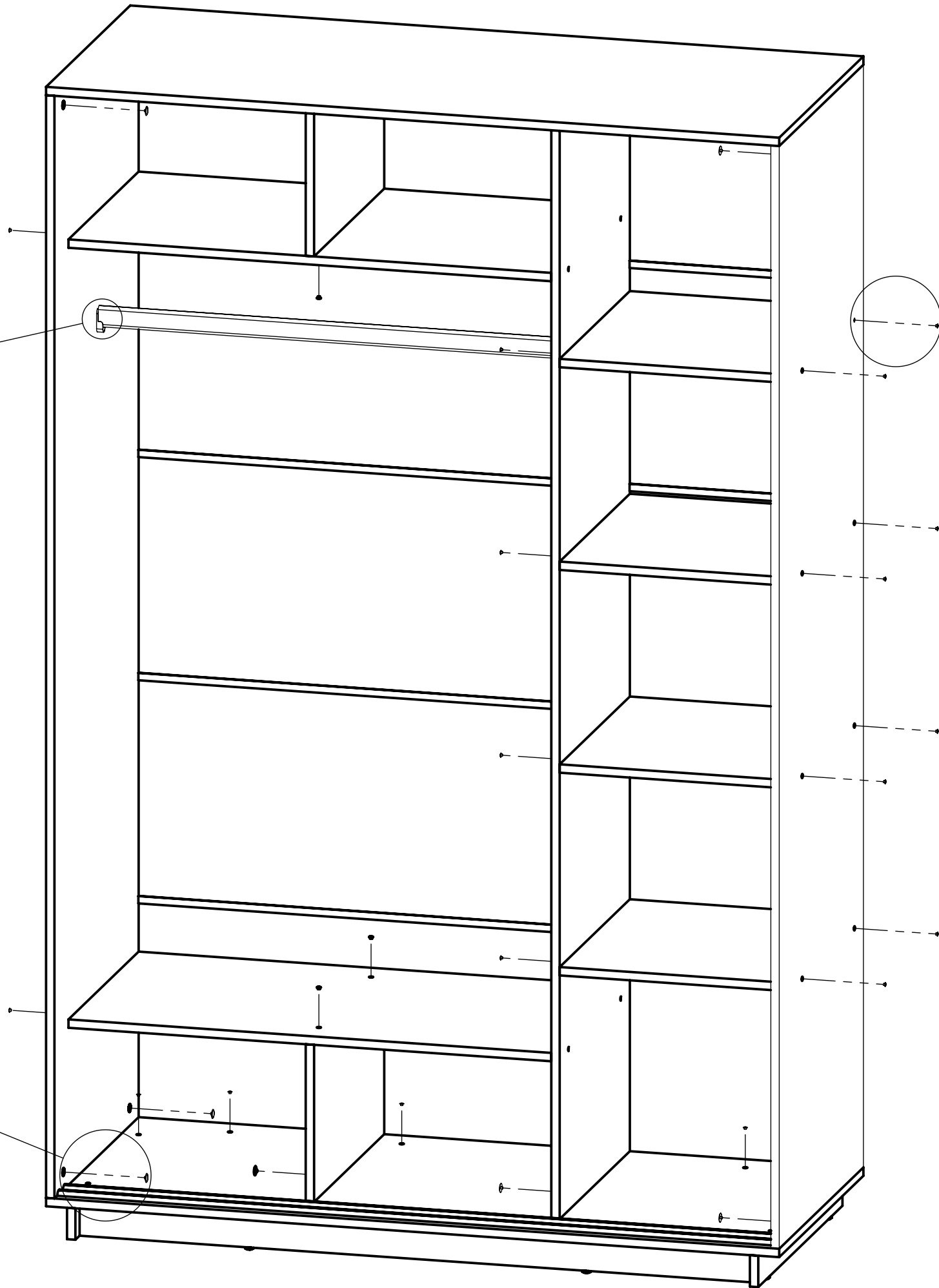
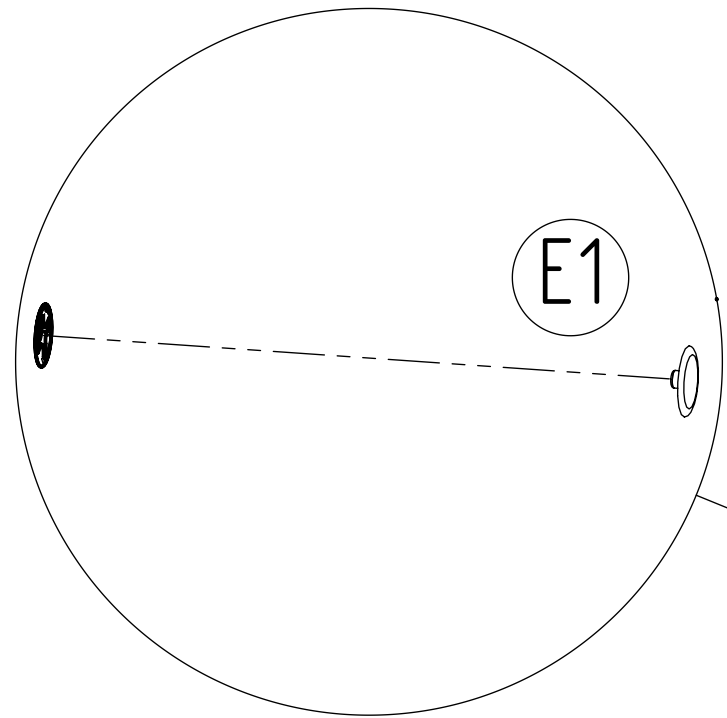
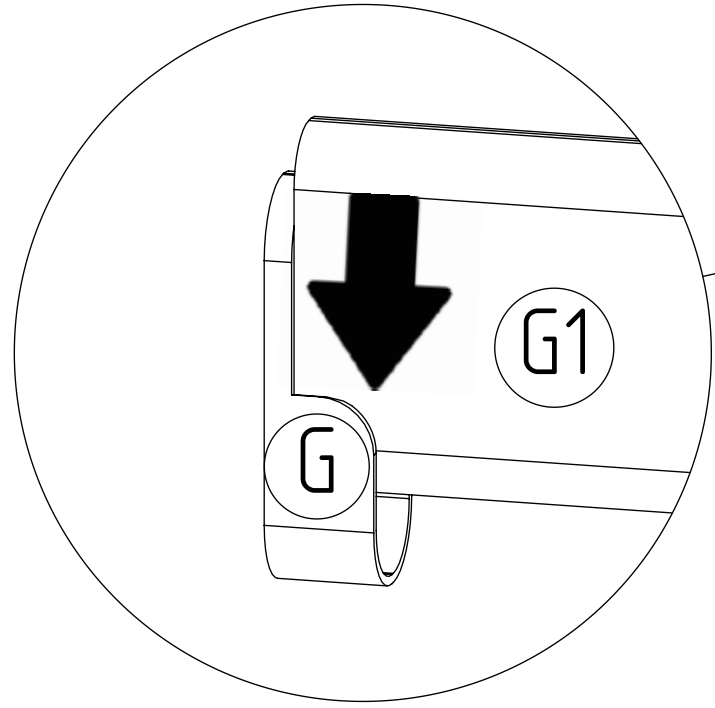


8

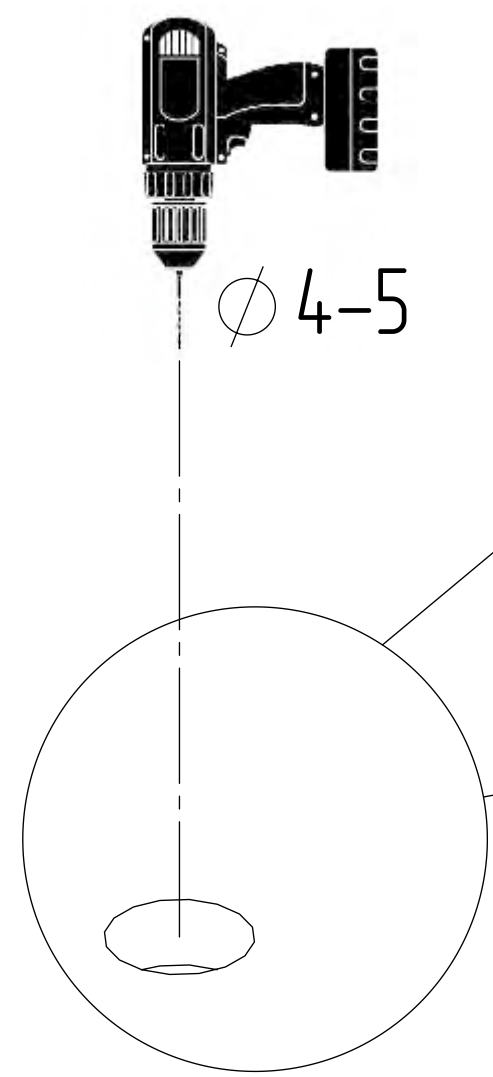
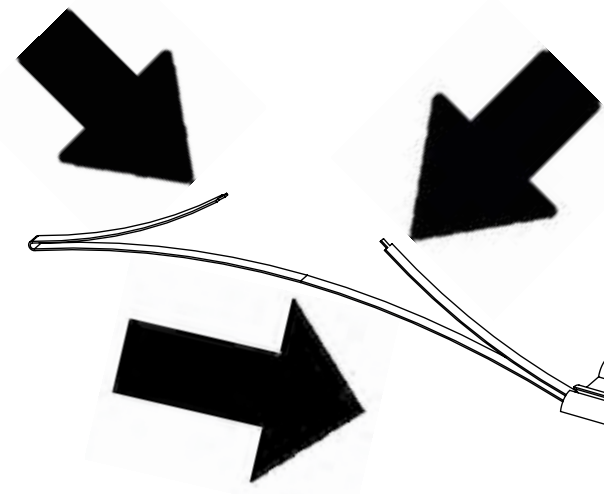
$$a = b$$



9



10



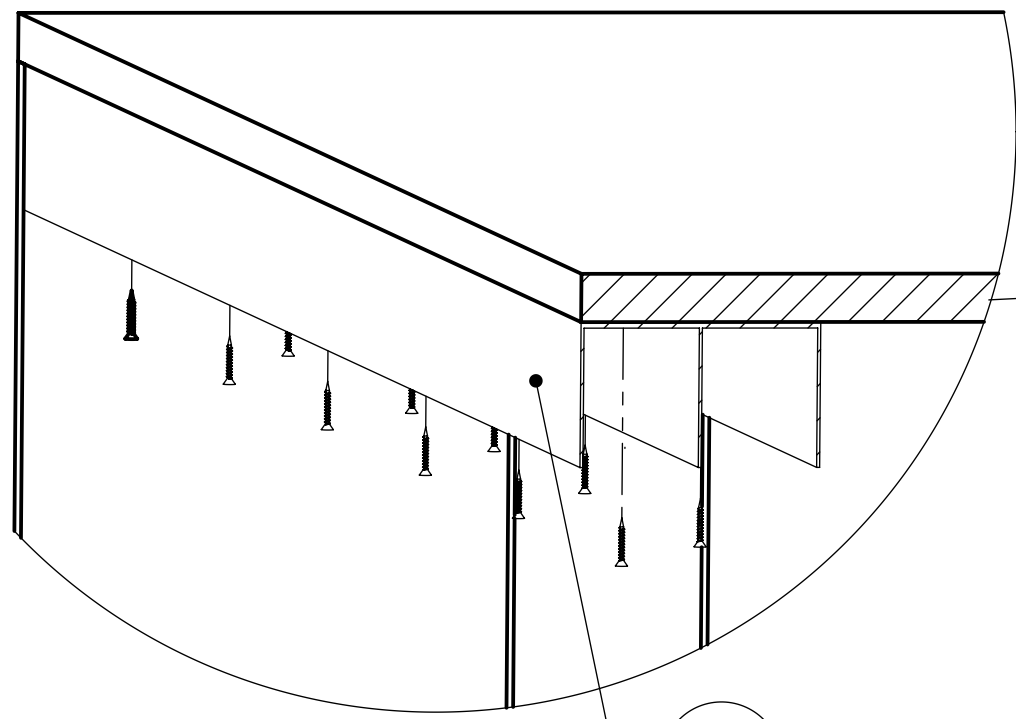
$\varnothing 4-5$

13

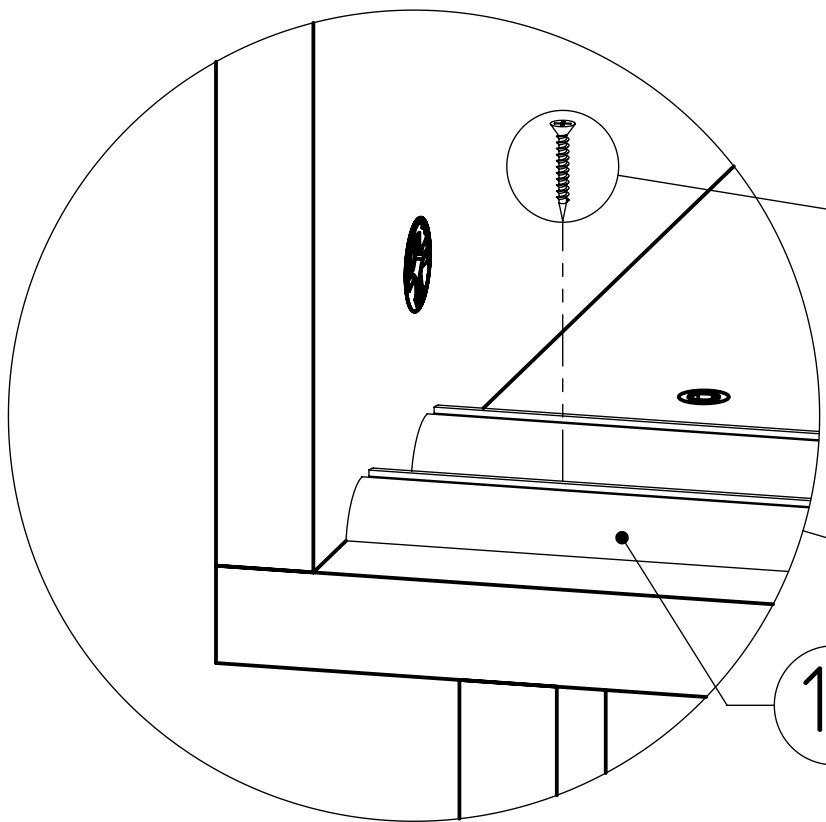
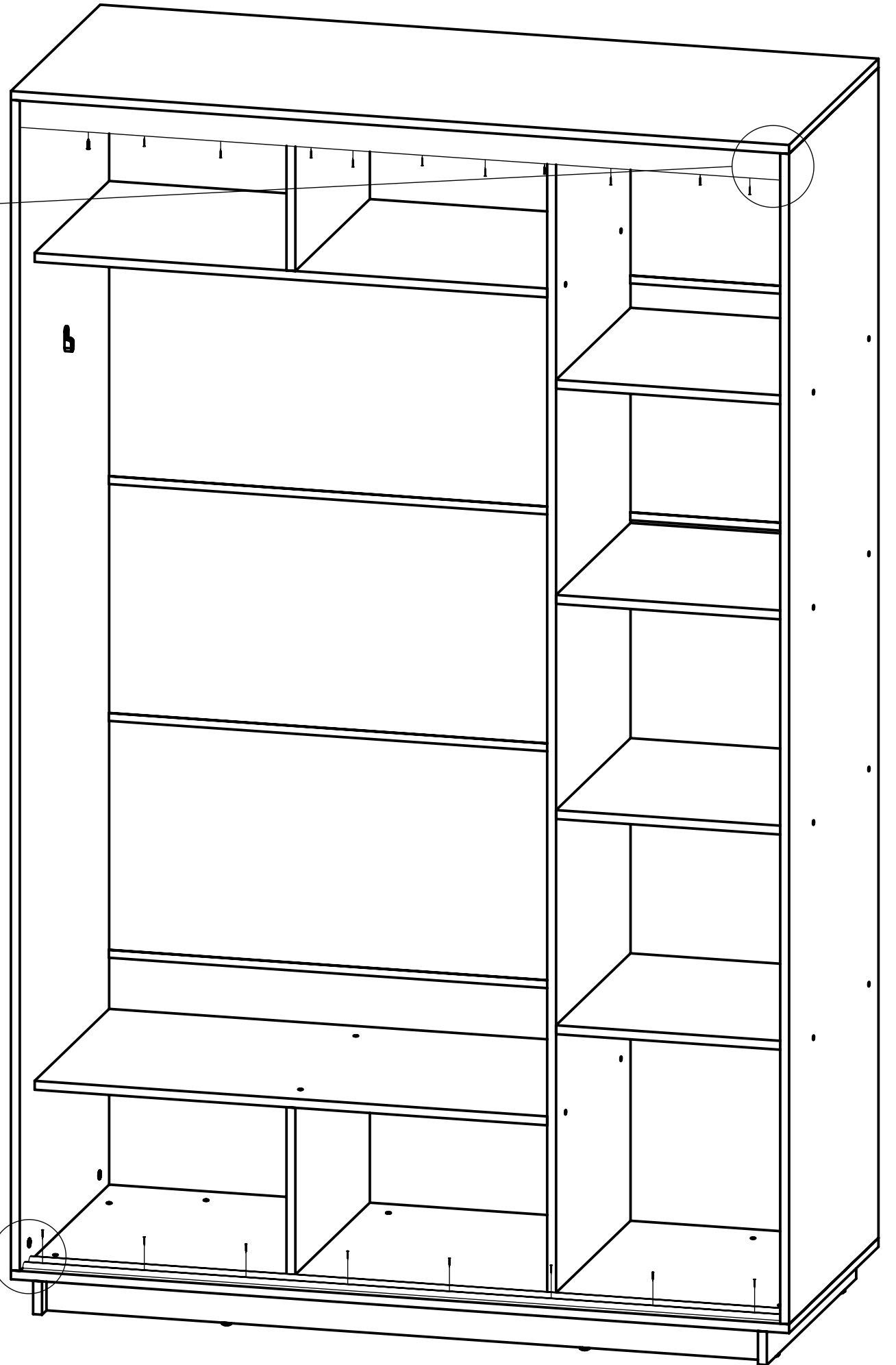
14



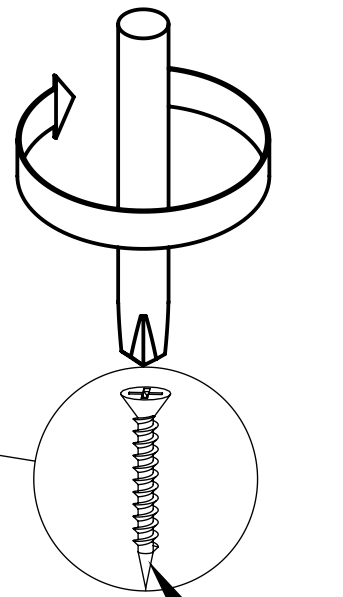
11



13

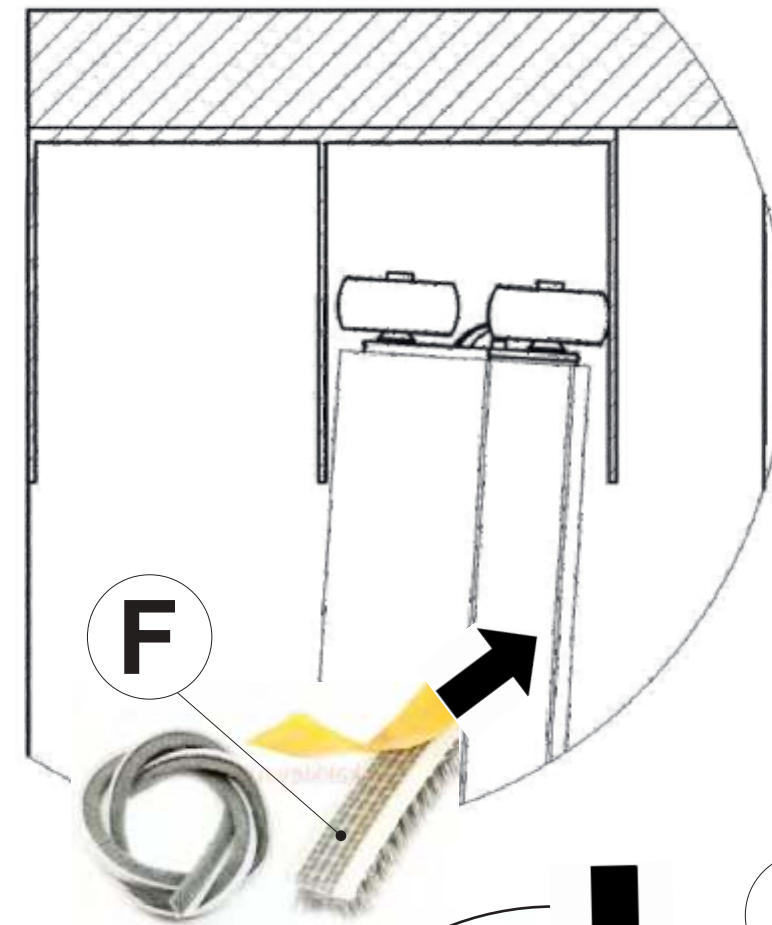
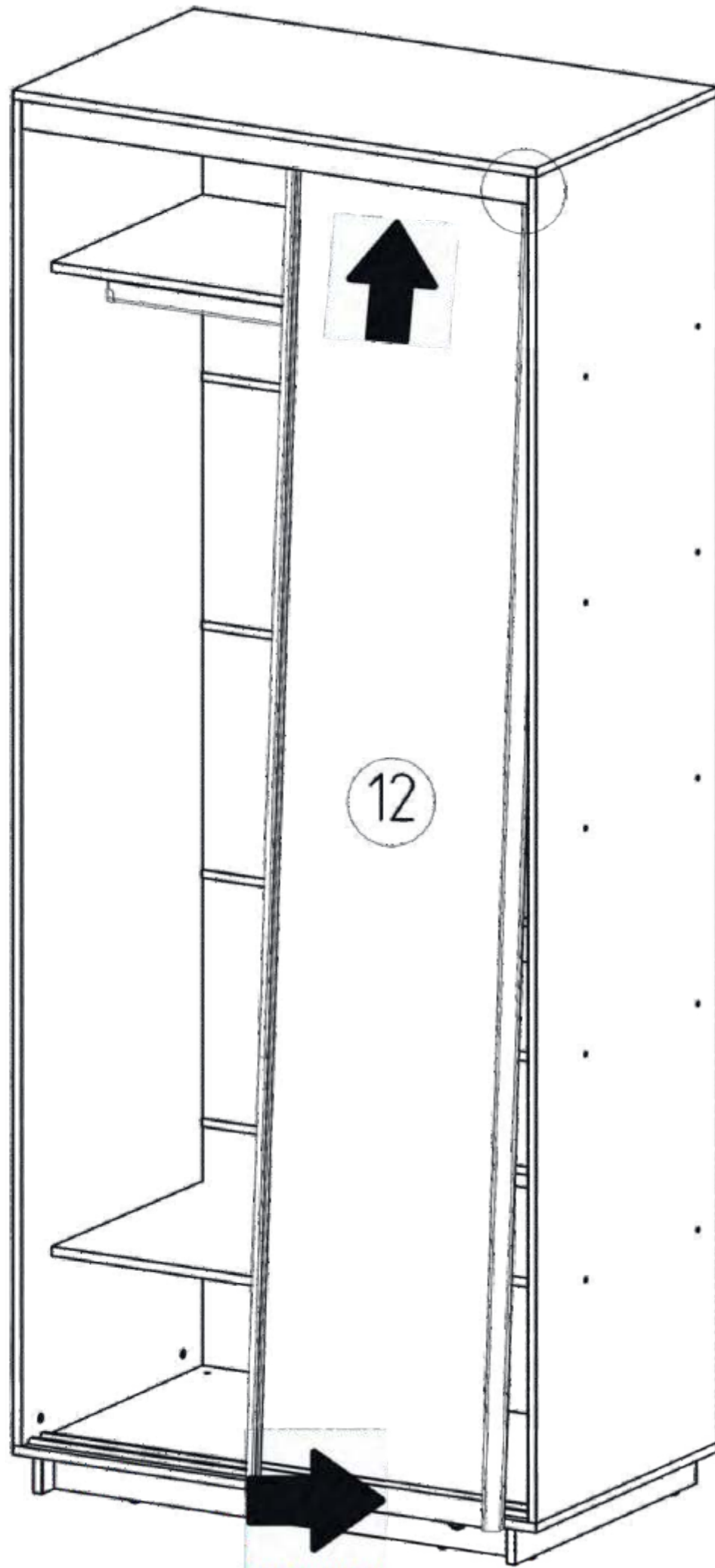


14



B

12



13

