

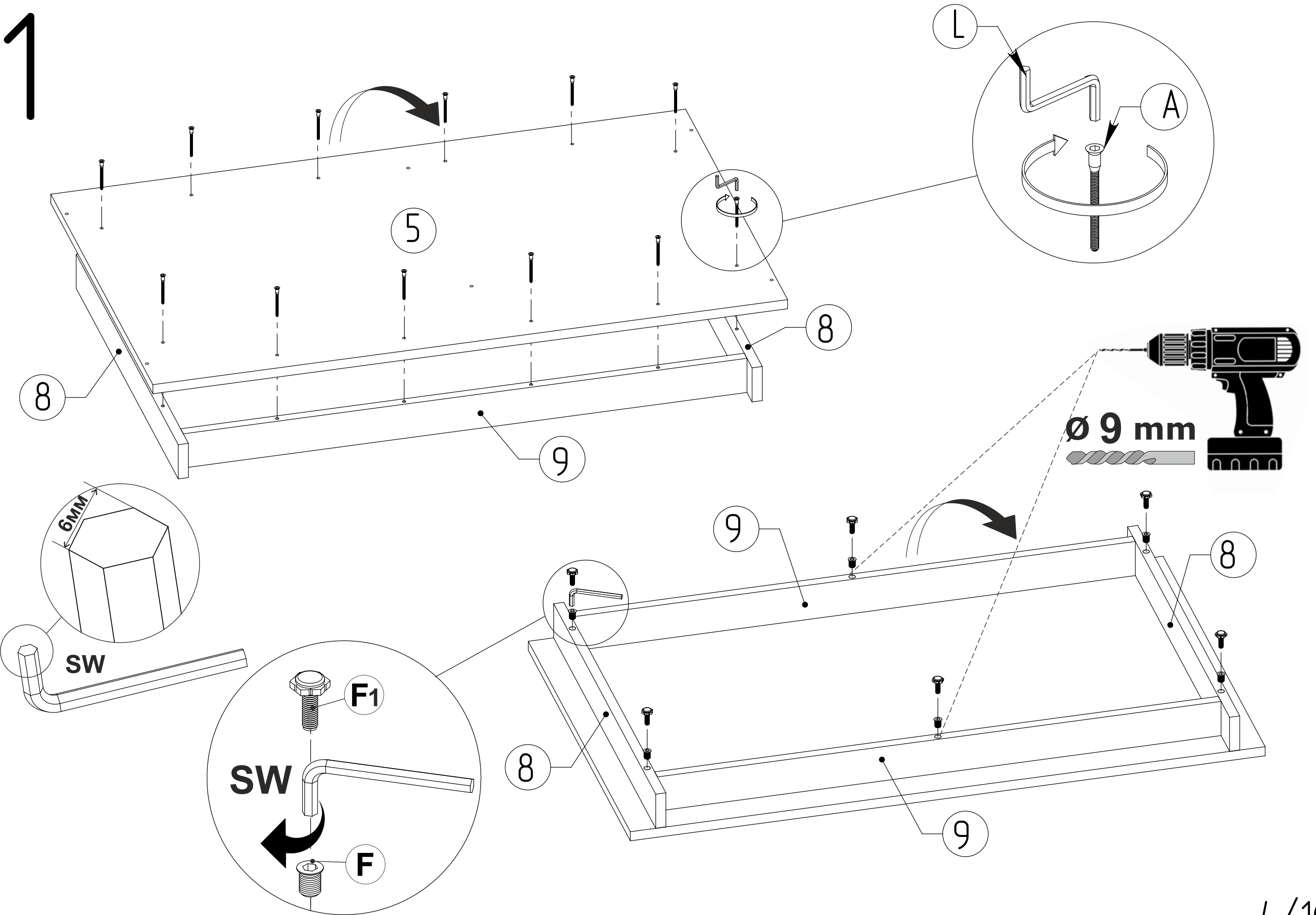
Ντουλάπα Diamond 120cm

SDW 220x60x100-130

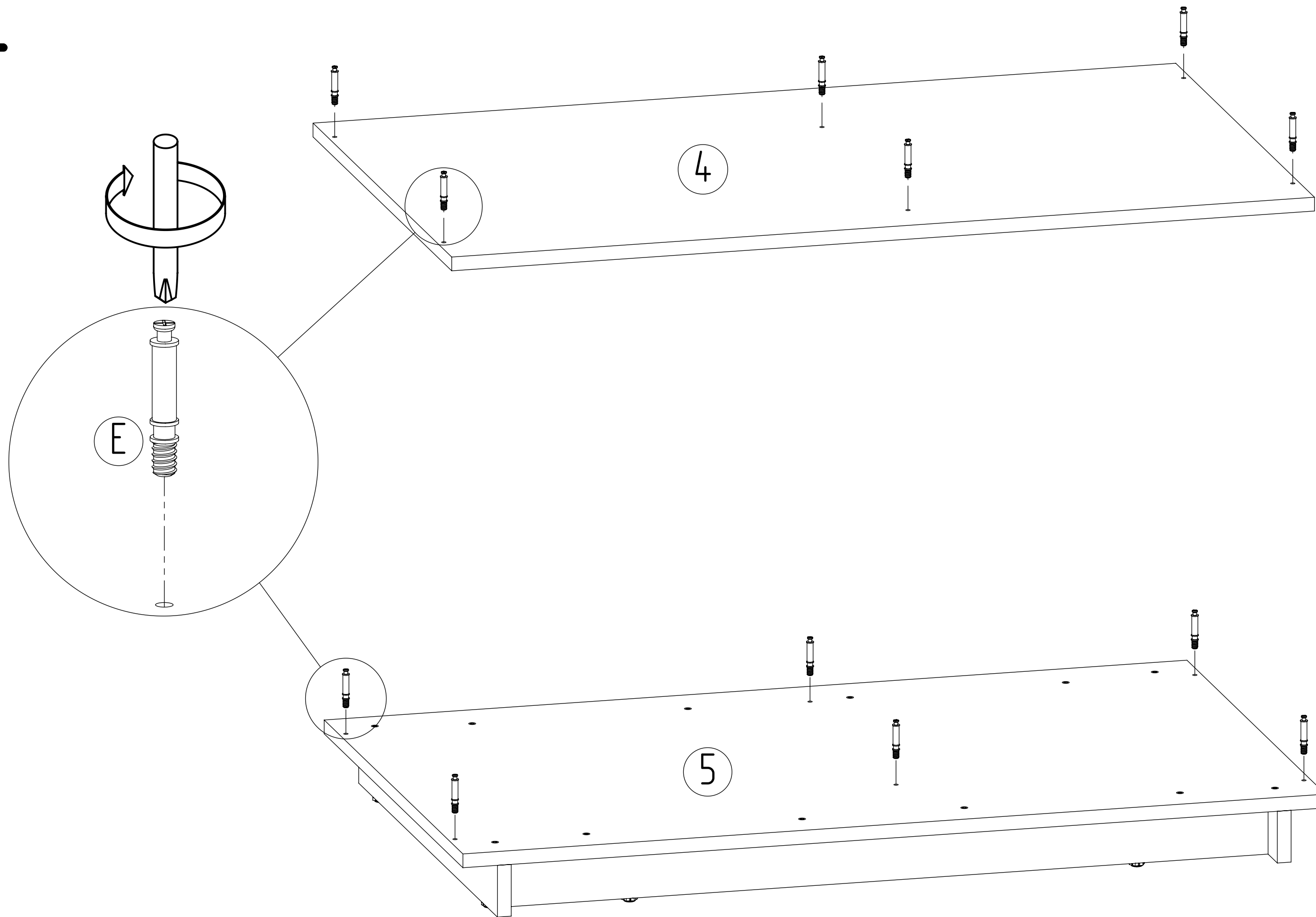
Nº	220x60x100	220x60x110	220x60x120	220x60x130	x
①	2105x600x16	2105x600x16	2105x600x16	2105x600x16	1
②	2105x600x16	2105x600x16	2105x600x16	2105x600x16	1
③	2105x500x16	2105x500x16	2105x500x16	2105x500x16	1
④	1000x600x16	1100x600x16	1200x600x16	1300x600x16	1
⑤	1000x600x16	1100x600x16	1200x600x16	1300x600x16	1
⑥	522x500x16	622x500x16	722x500x16	822x500x16	2
⑦	430x500x16	430x500x16	430x500x16	430x500x16	4
⑧	600x60x16	600x60x16	600x60x16	600x60x16	2
⑨	888x60x16	988x60x16	1088x60x16	1188x60x16	2
⑩	996x531x2.5	1096x531x2.5	1196x531x2.5	1296x531x2.5	4
⑪	2164x515	2164x565	2164x593	2164x665	2
⑫	L=966	L=1066	L=1166	L=1266	1
⑬	L=966	L=1066	L=1166	L=1266	1

<p>(A) 6.3*50</p>  <p>x41</p>	<p>(A1)</p>  <p>x41</p>	<p>(B) 4*16</p>  <p>x20</p>	<p>(C)</p>  <p>x12</p>
<p>(D)</p>  <p>60</p>	<p>(E)</p>  <p>x12</p>	<p>(E1)</p>  <p>x12</p>	<p>(F)</p>  <p>x9.40</p>
<p>(G)</p>  <p>x2</p>	<p>(G1)</p>  <p>x1</p>	<p>(H)</p>  <p>x2</p>	<p>(I)</p>  <p>x8</p>
<p>(J)</p>  <p>x8</p>	<p>(K) 3.5*16</p>  <p>x6</p>	<p>(L)</p>  <p>x1</p>	

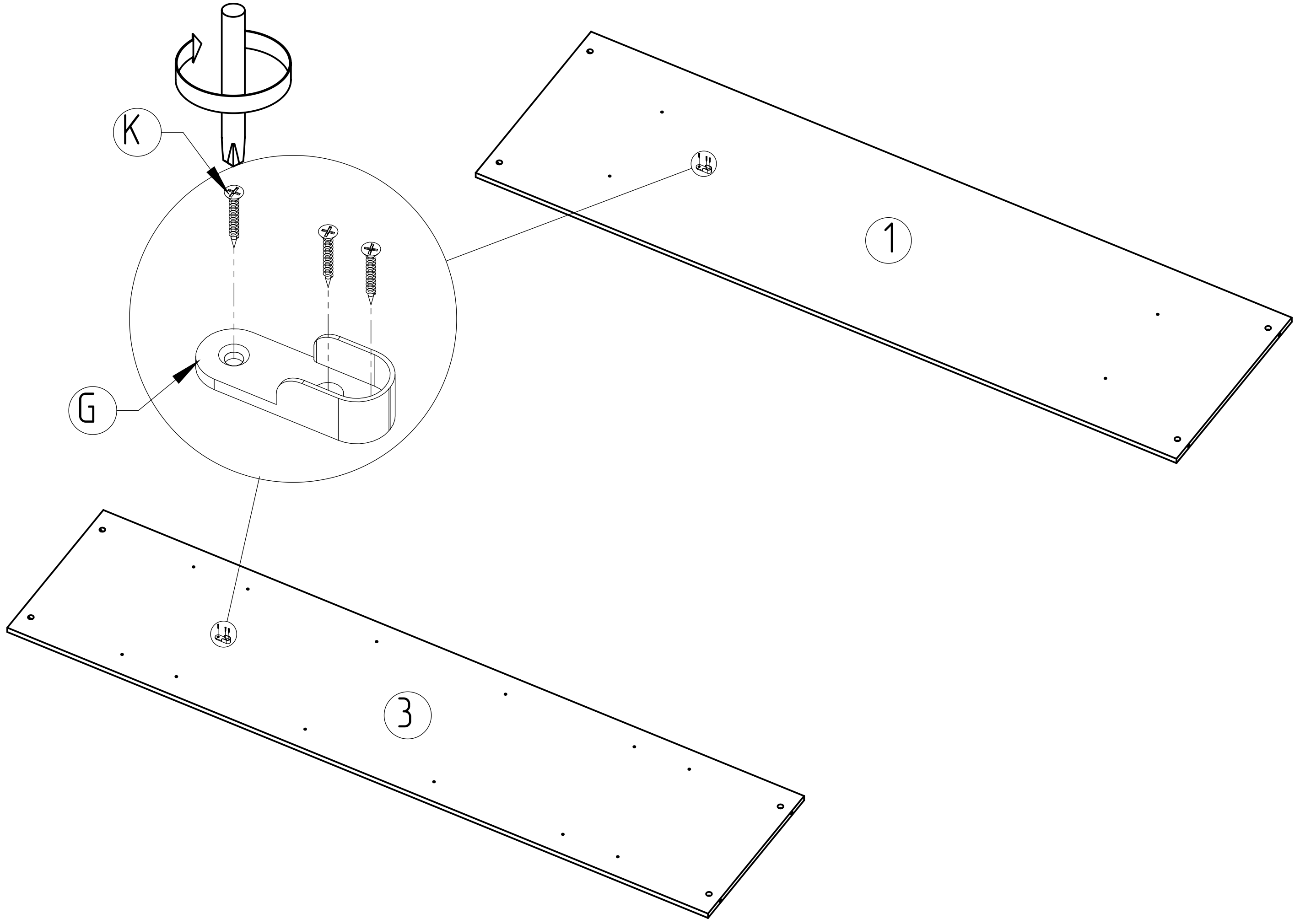
1



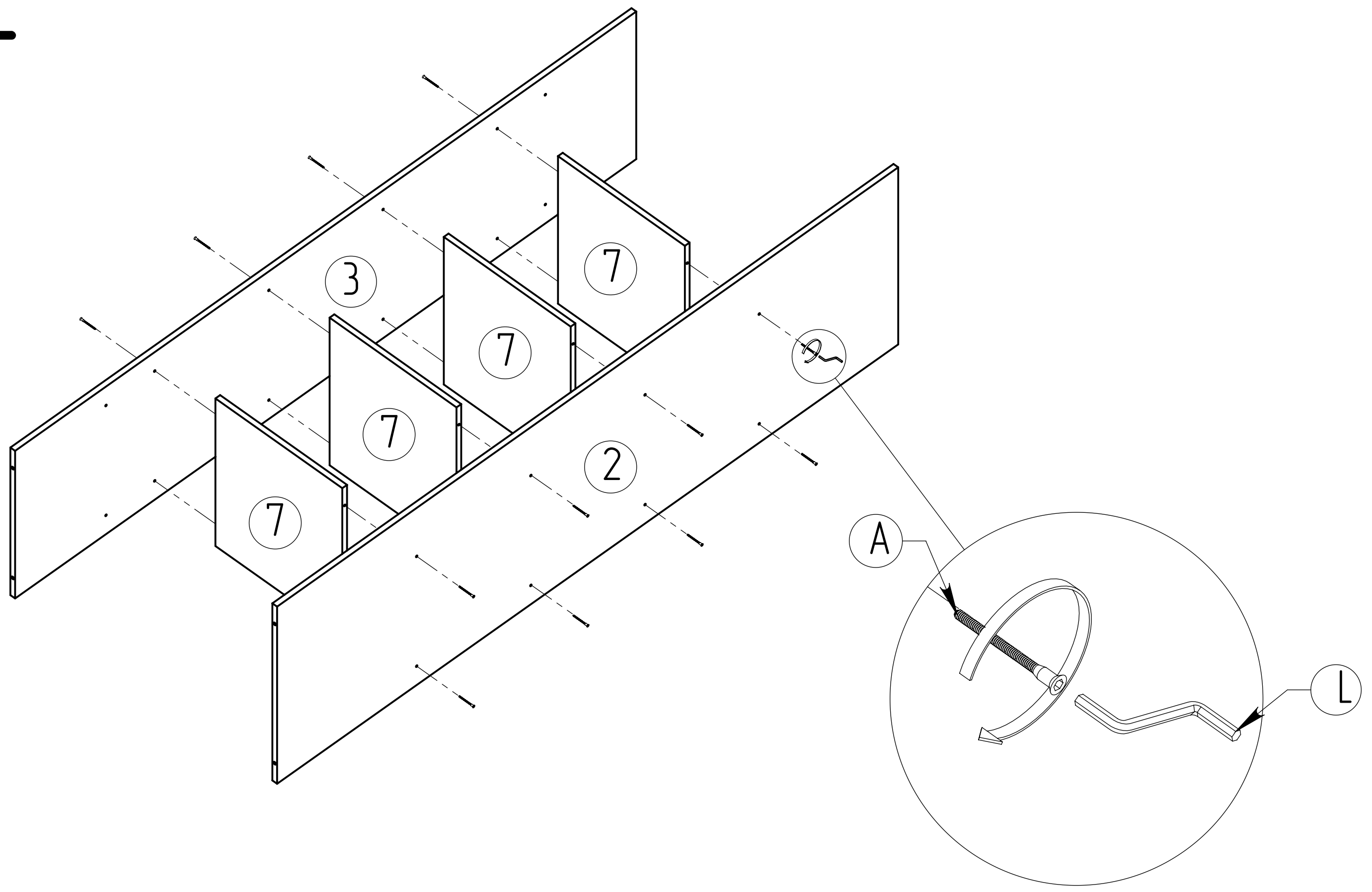
2



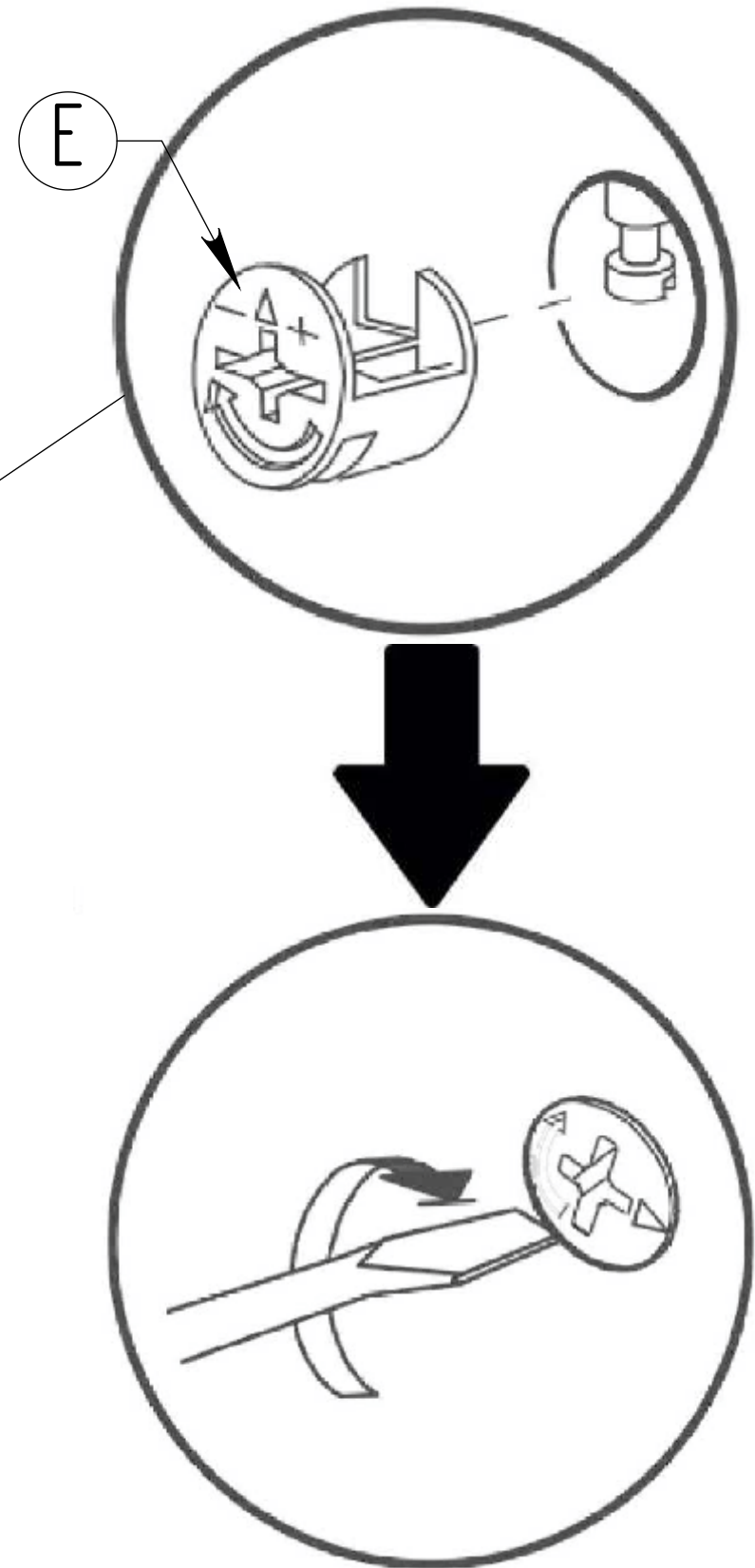
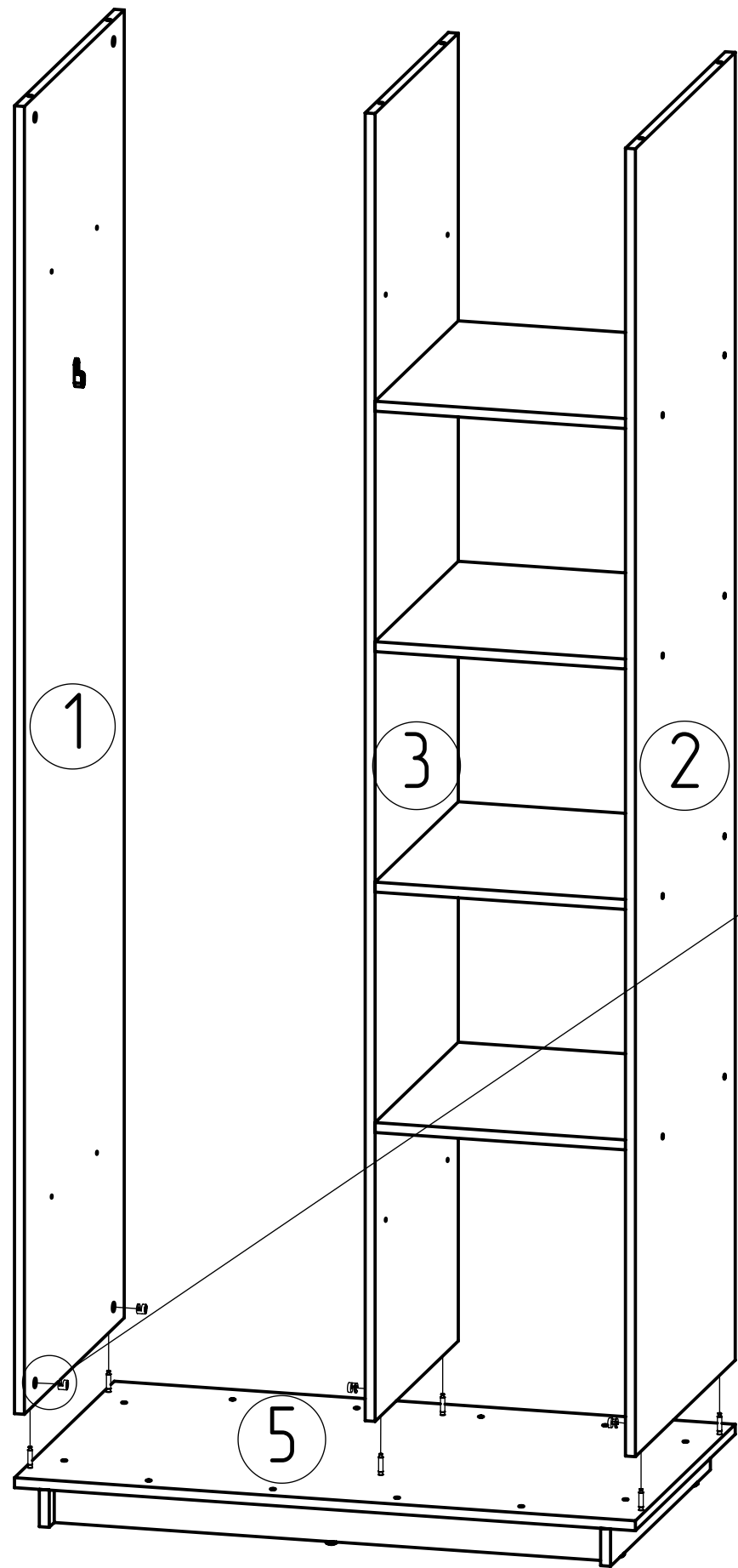
3



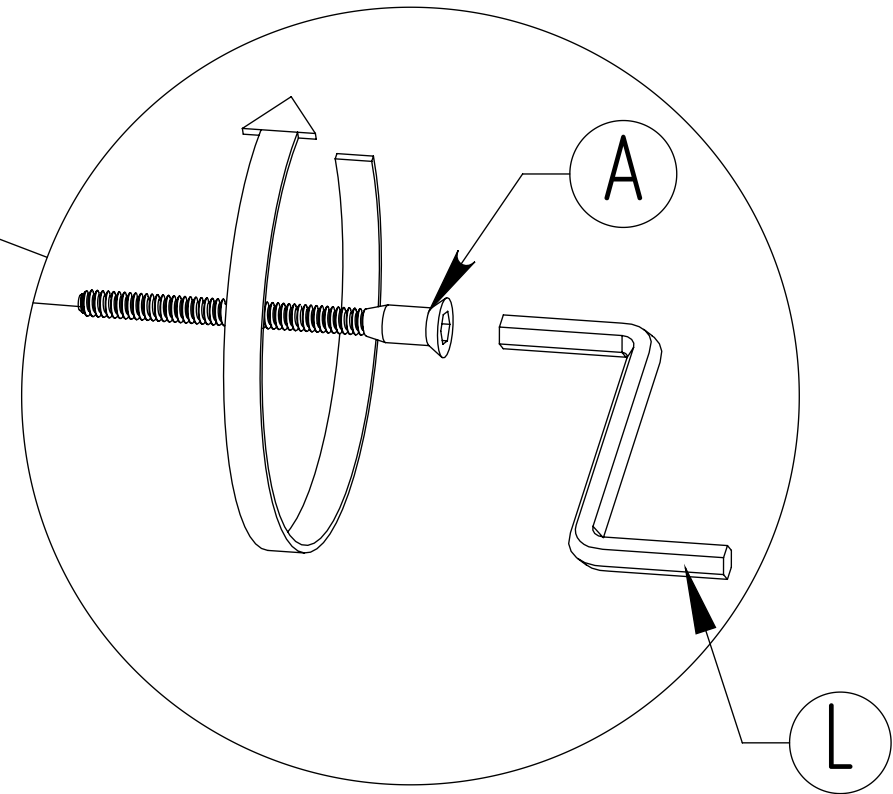
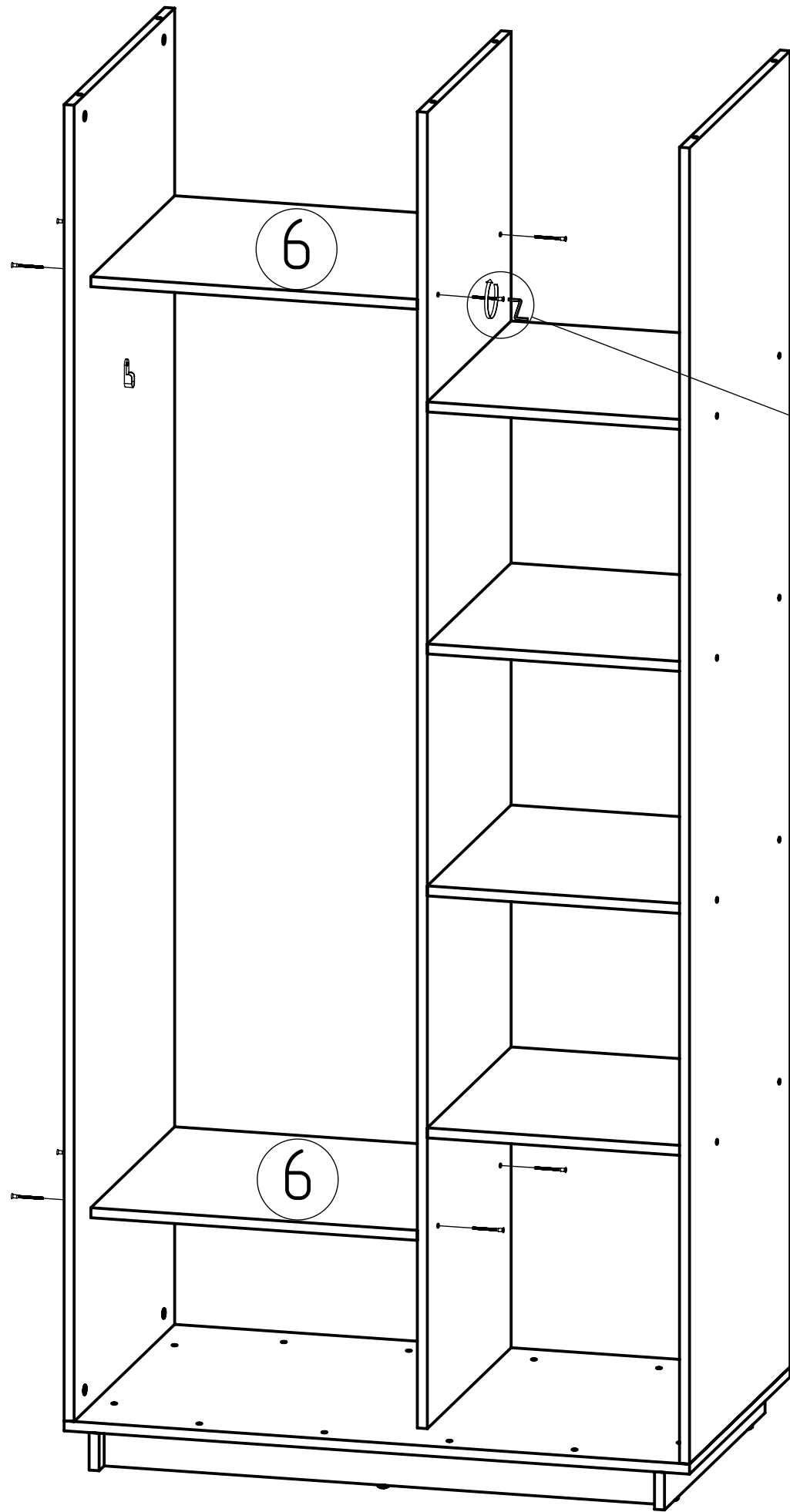
4



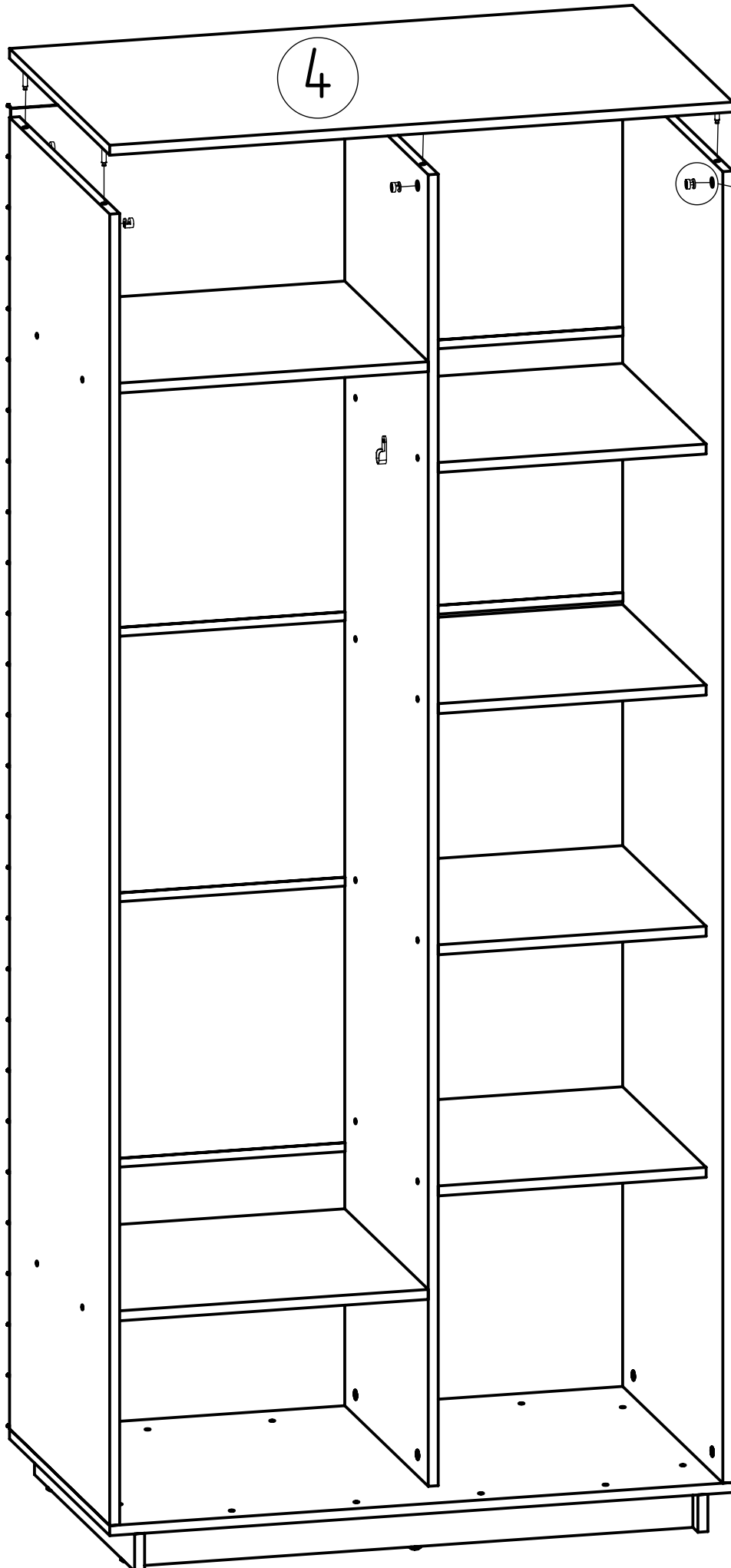
5



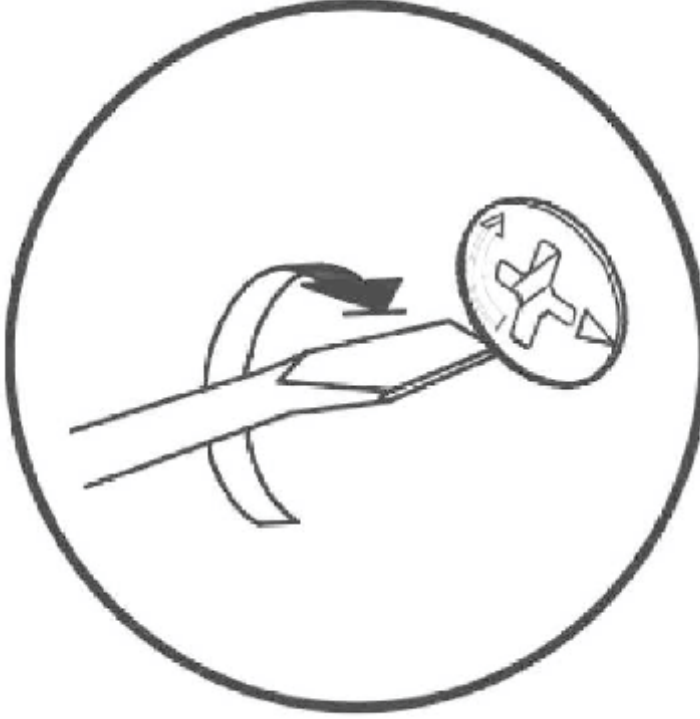
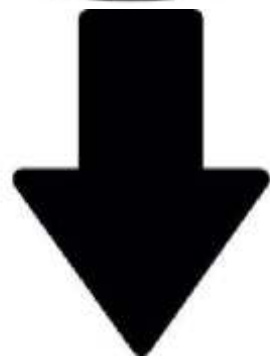
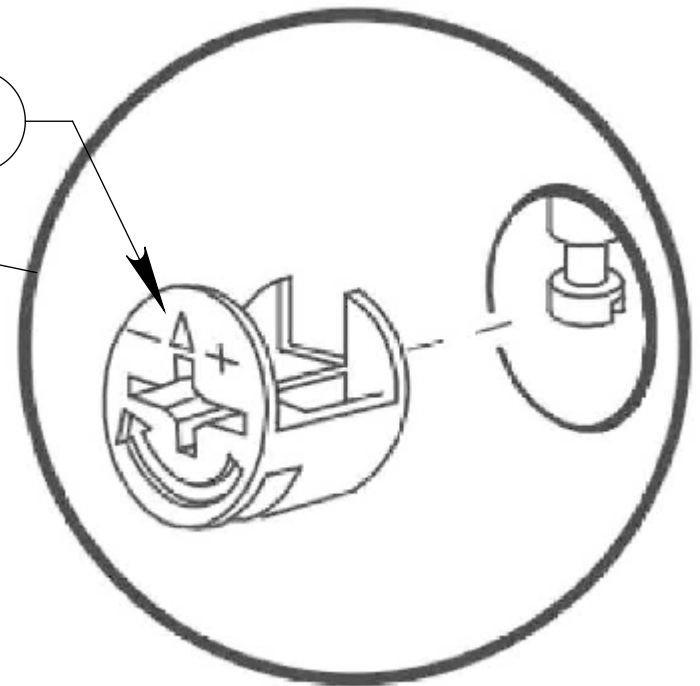
6



7

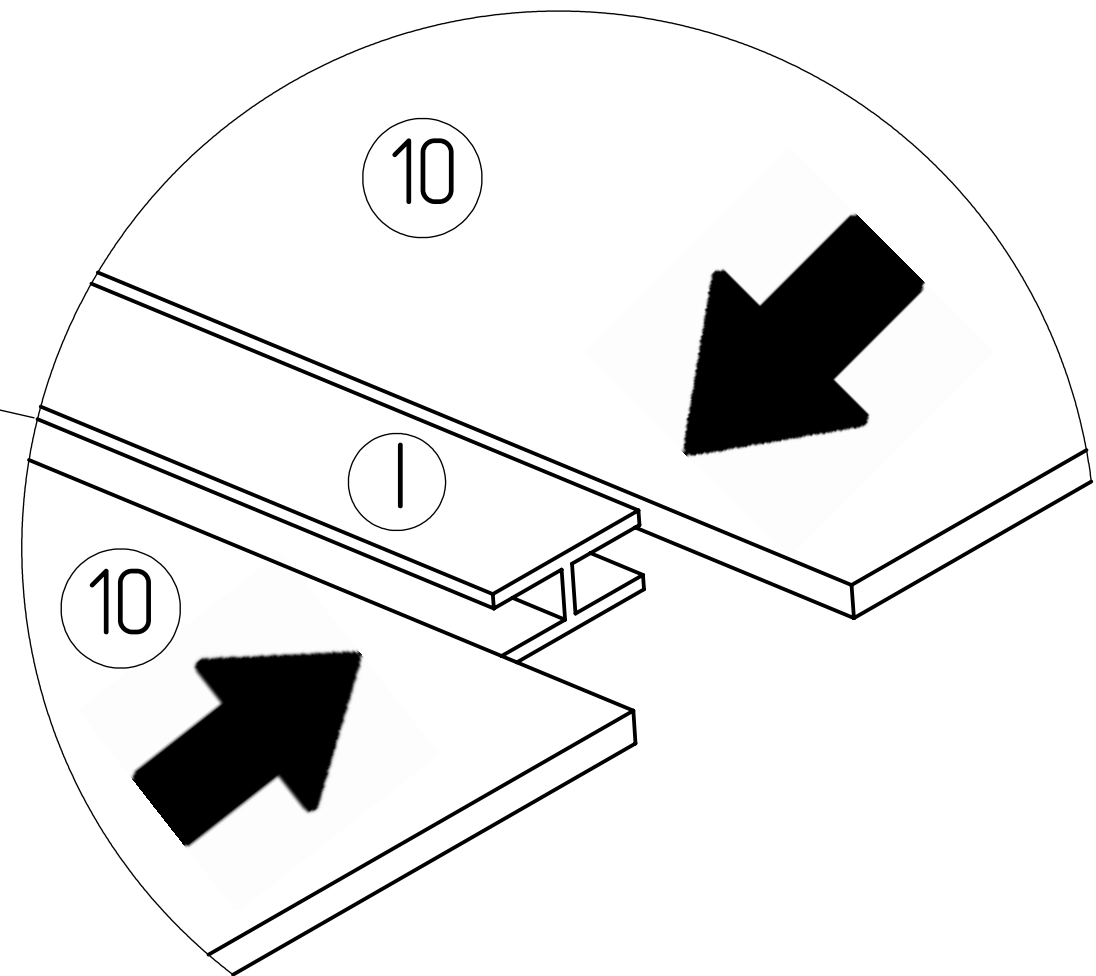
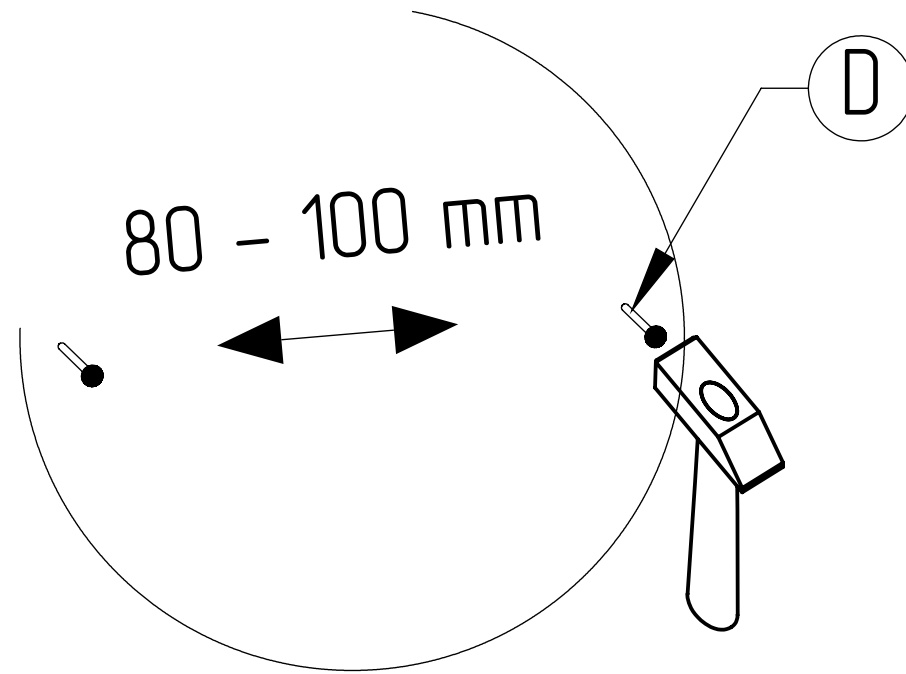
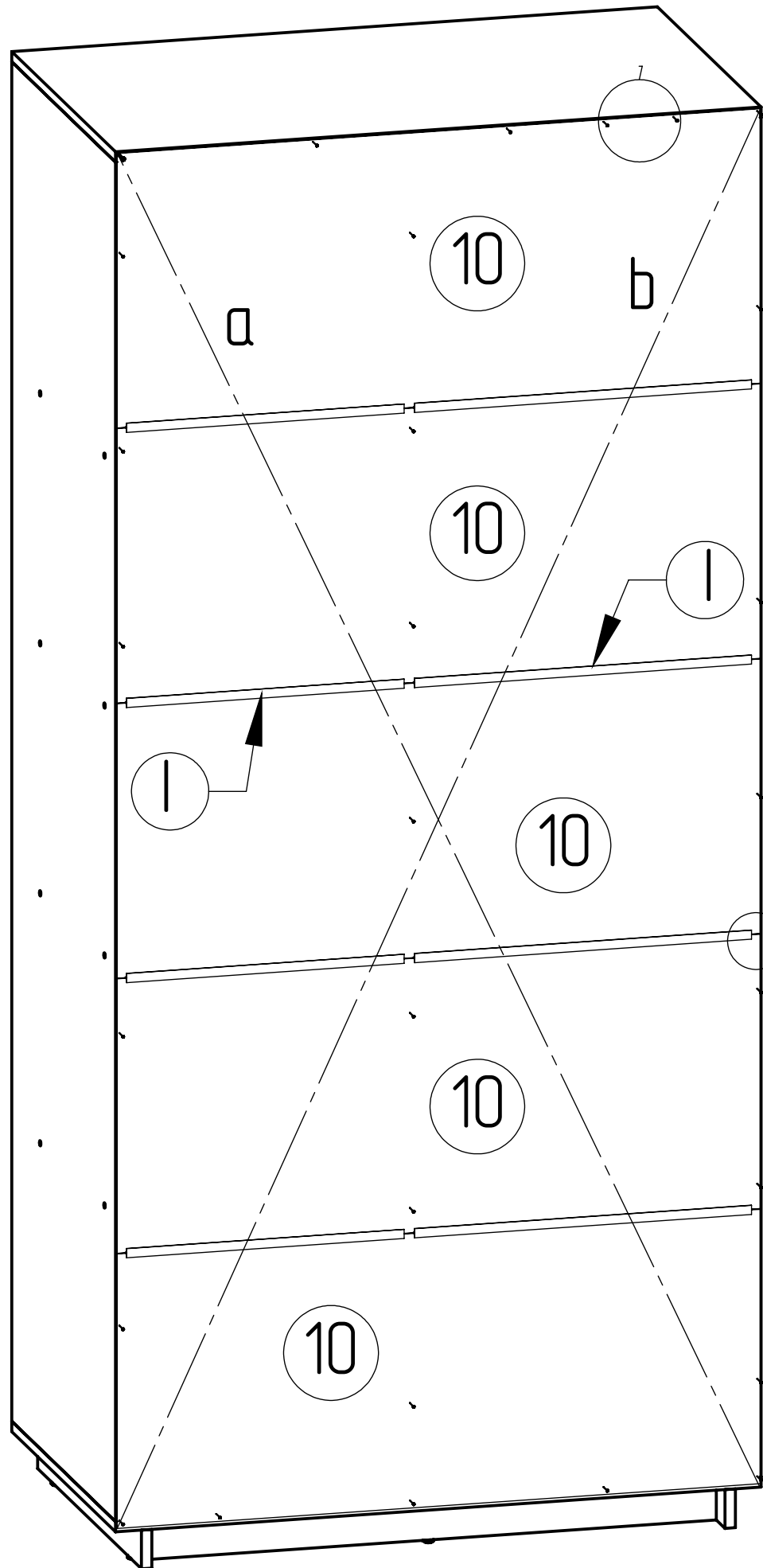


E

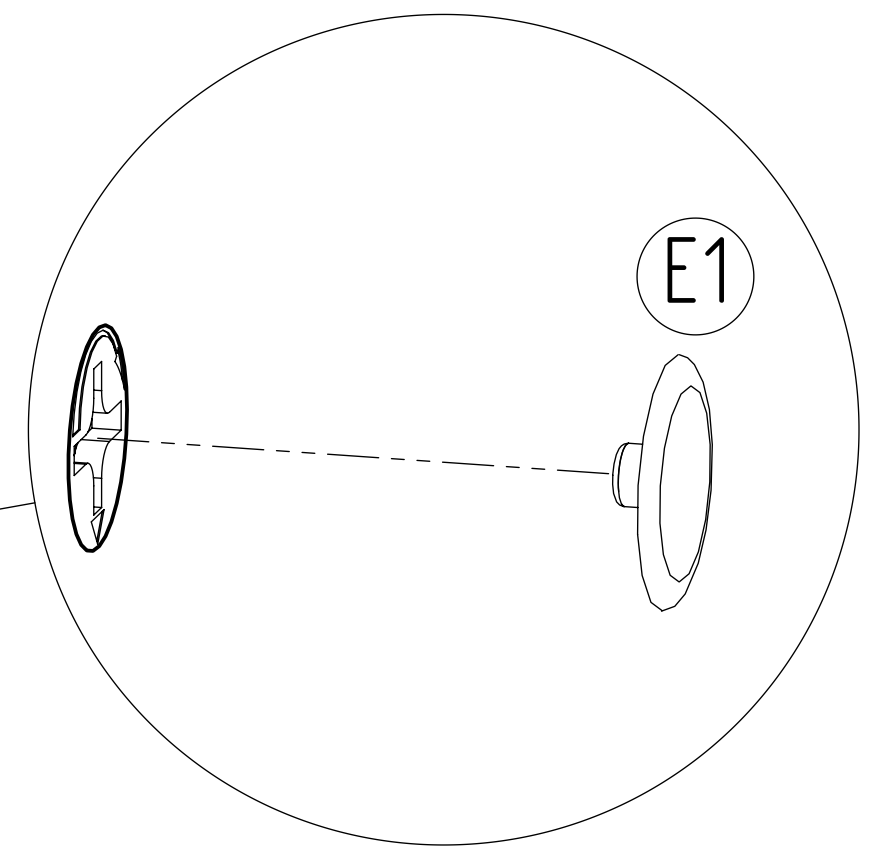
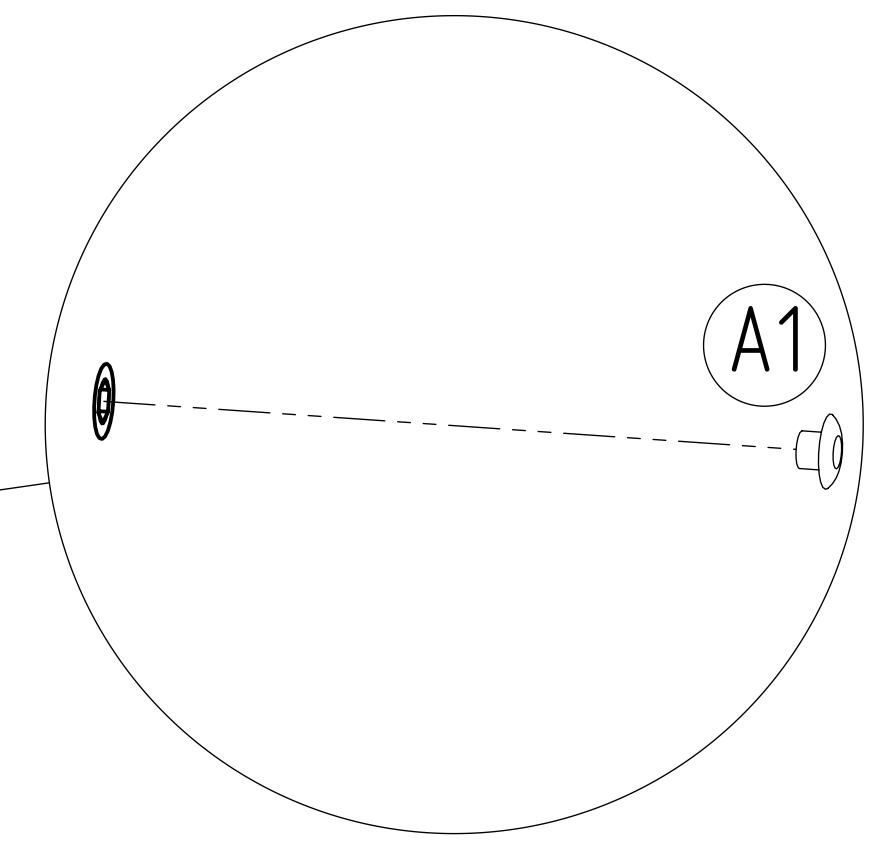
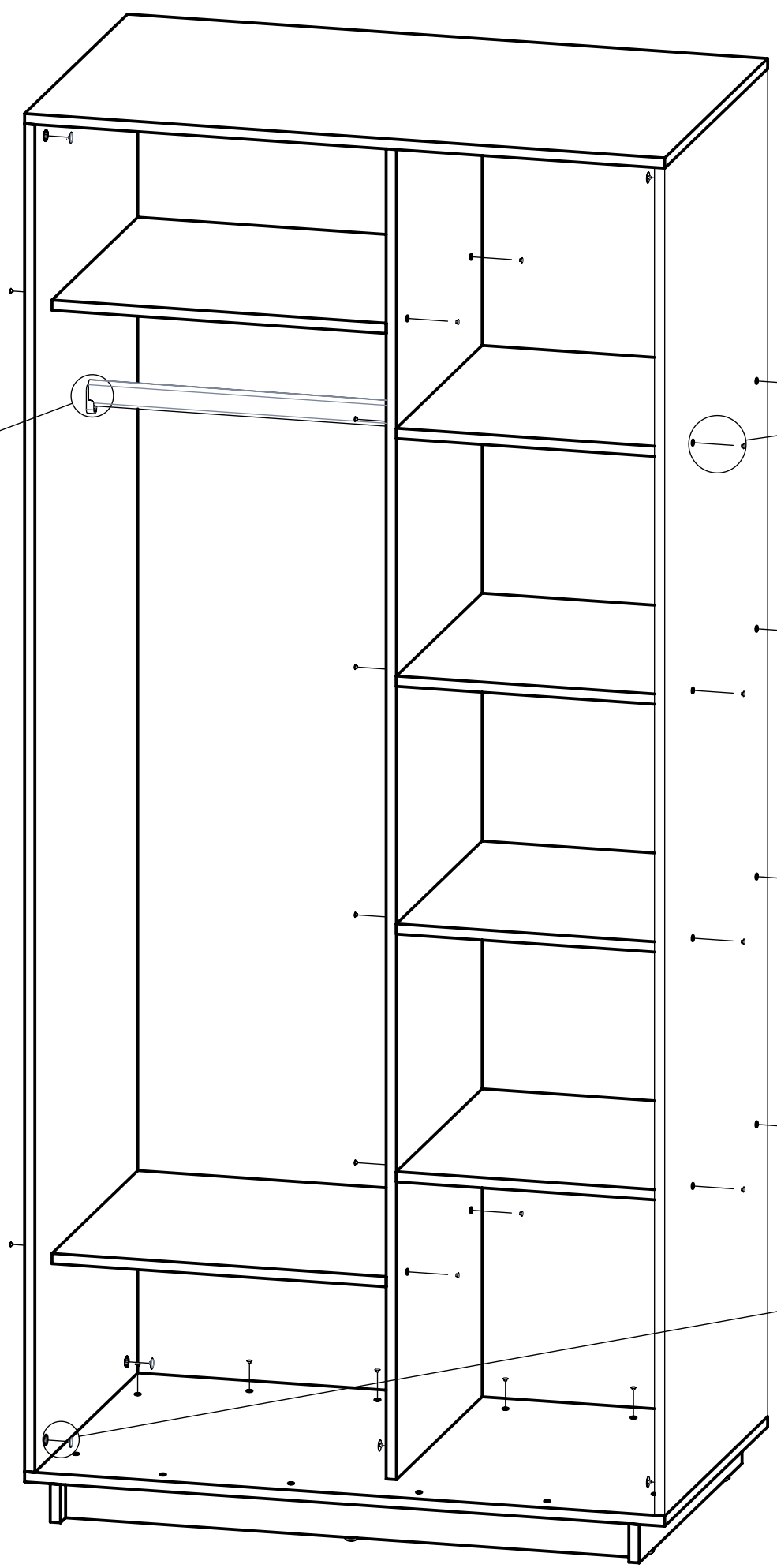
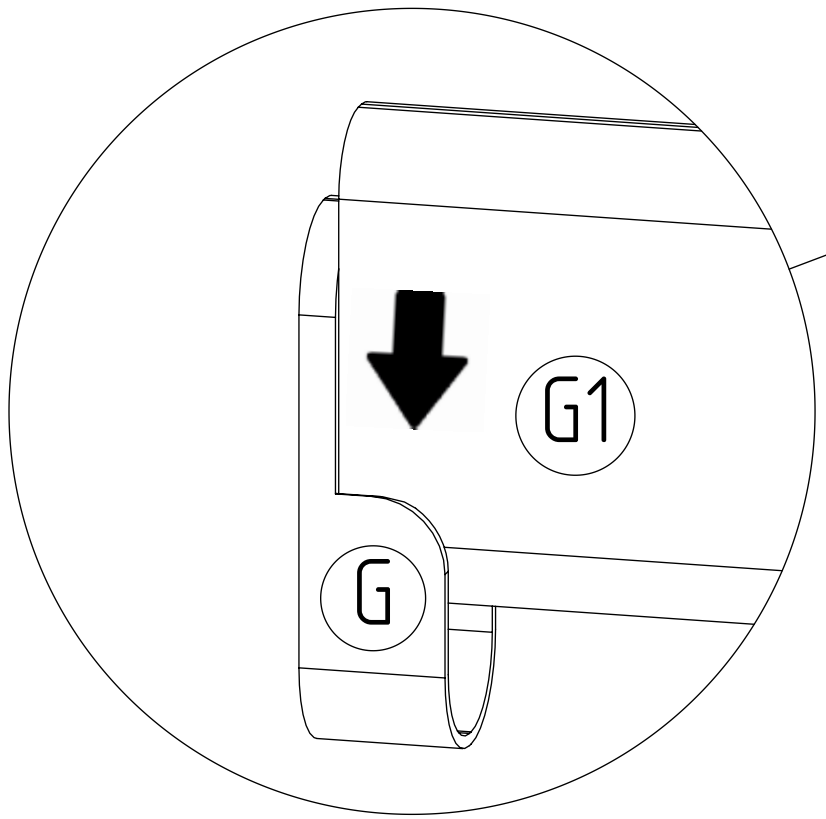


8

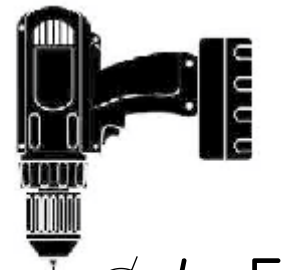
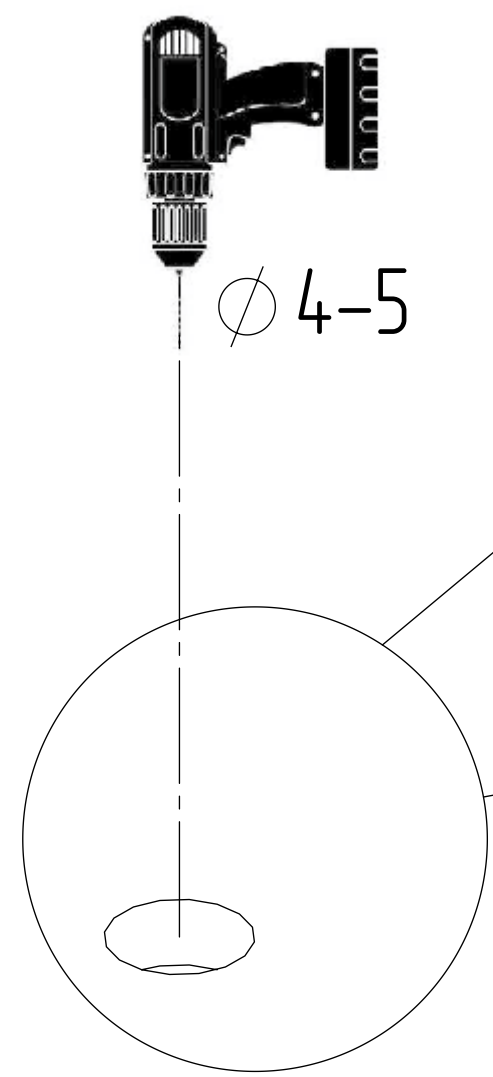
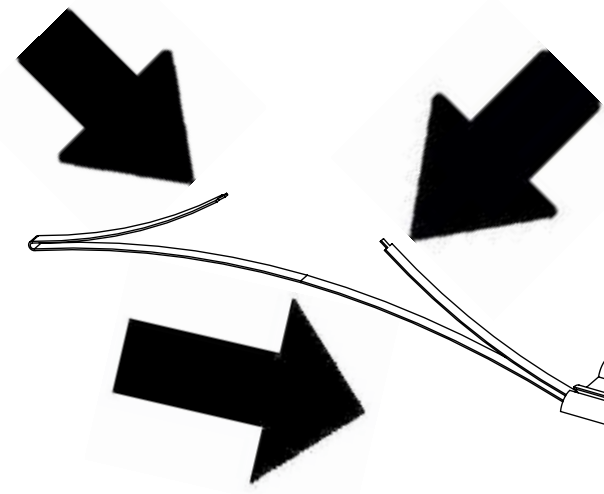
$a = b$



9



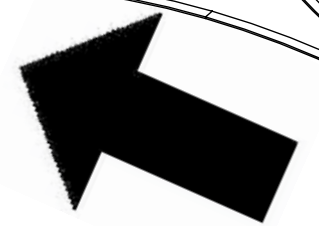
10



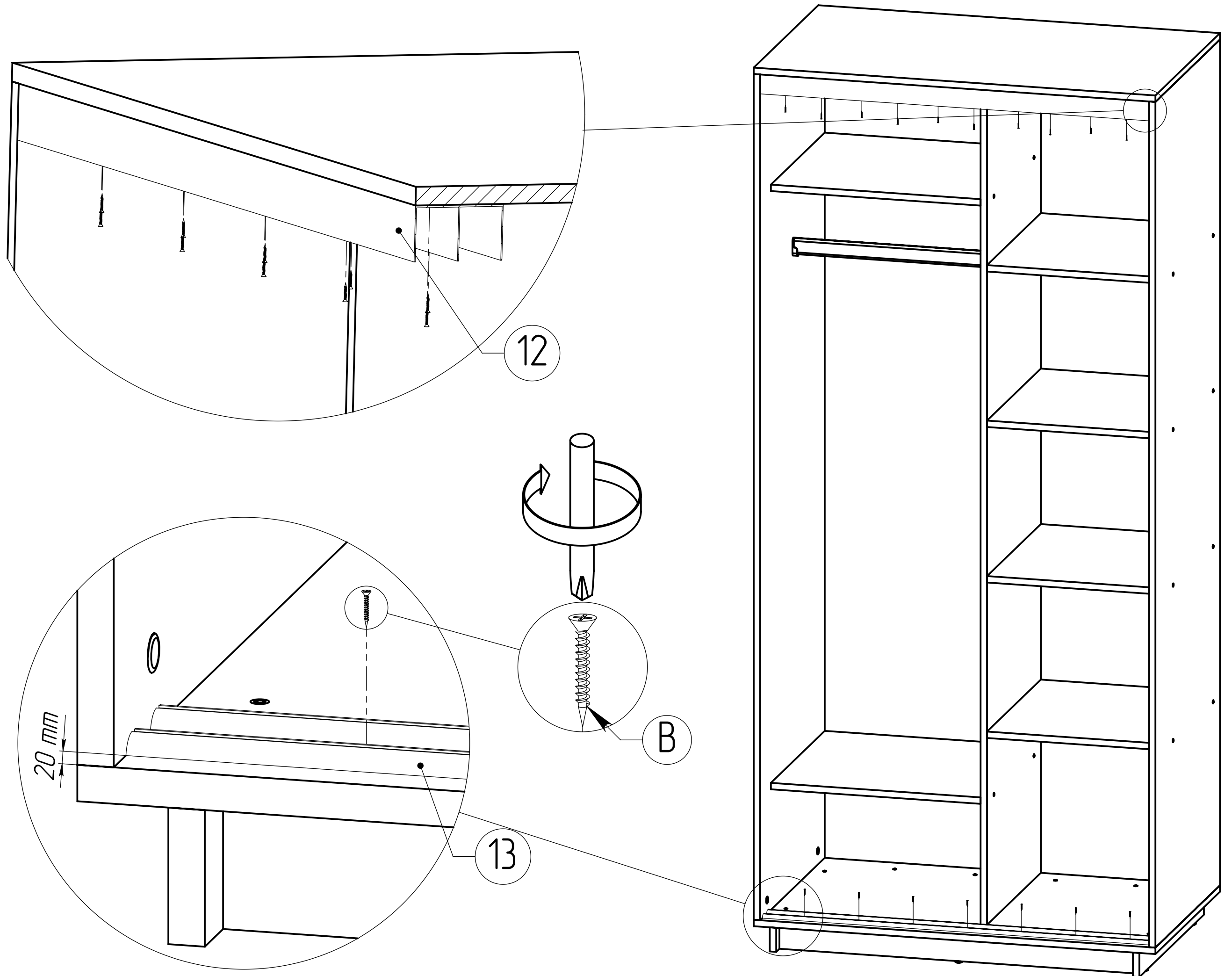
∅ 4-5

12

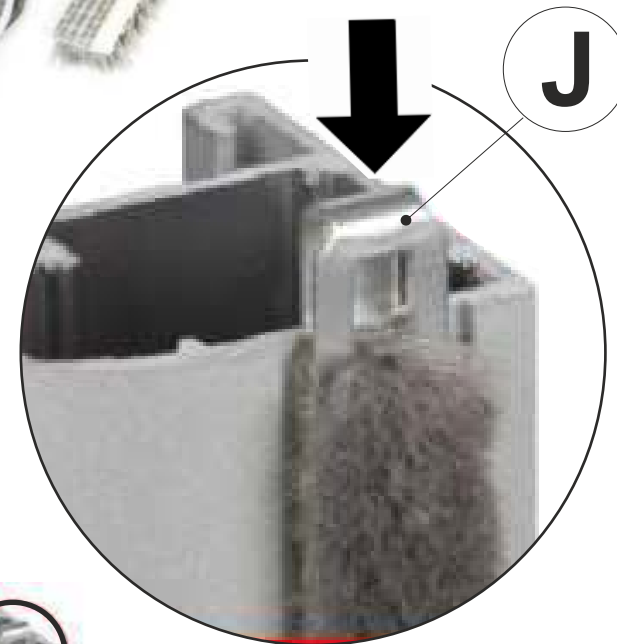
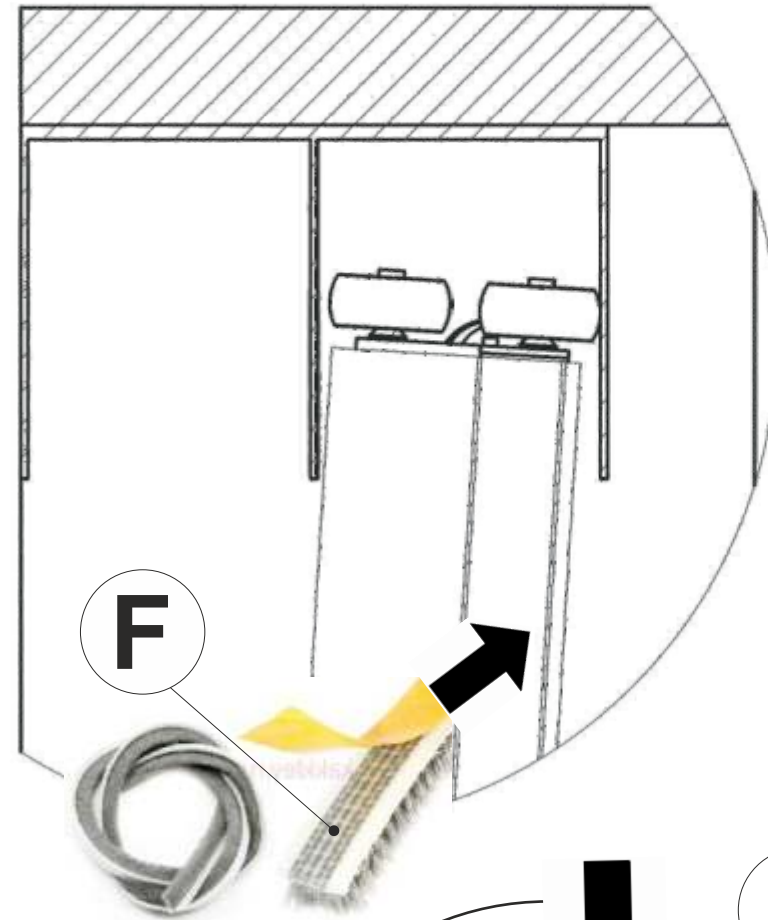
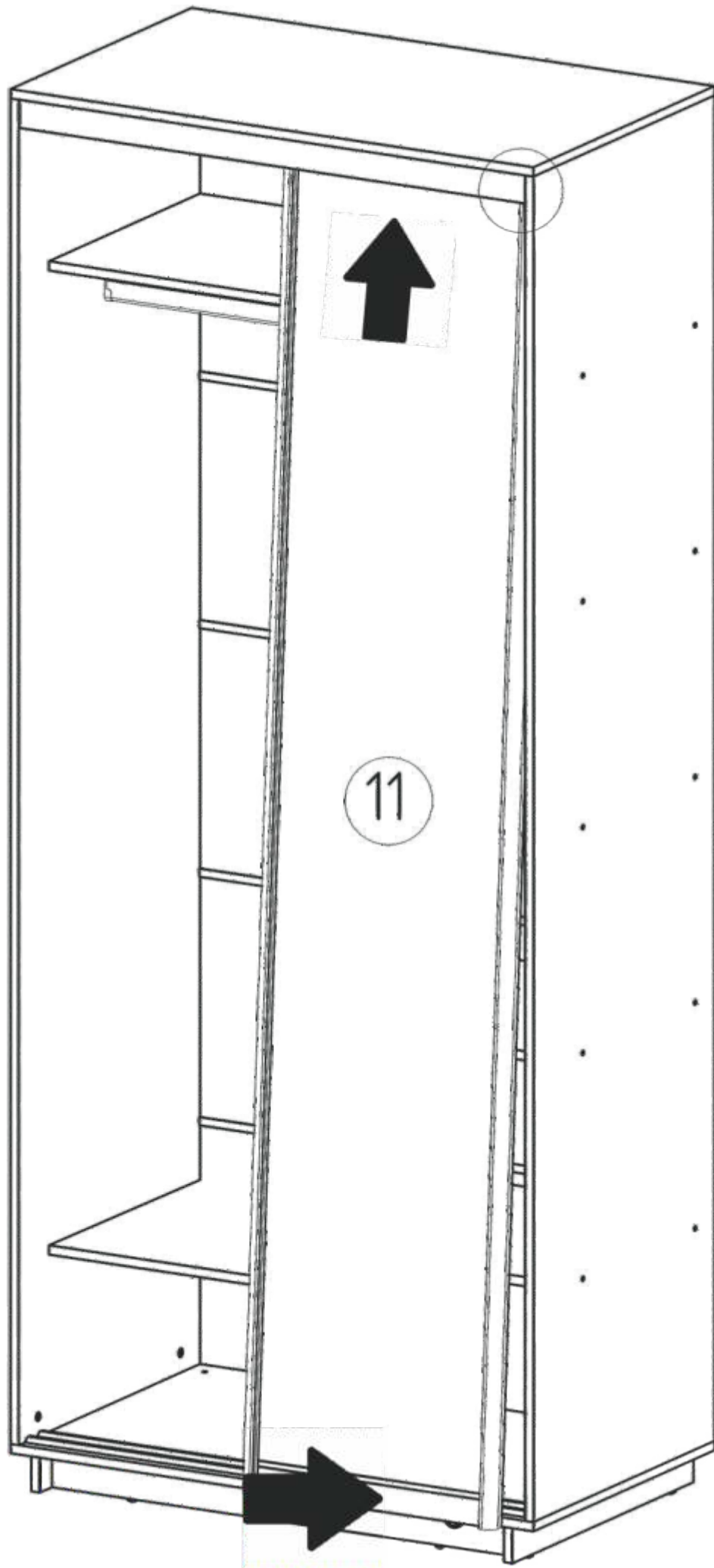
13



11



12



13

