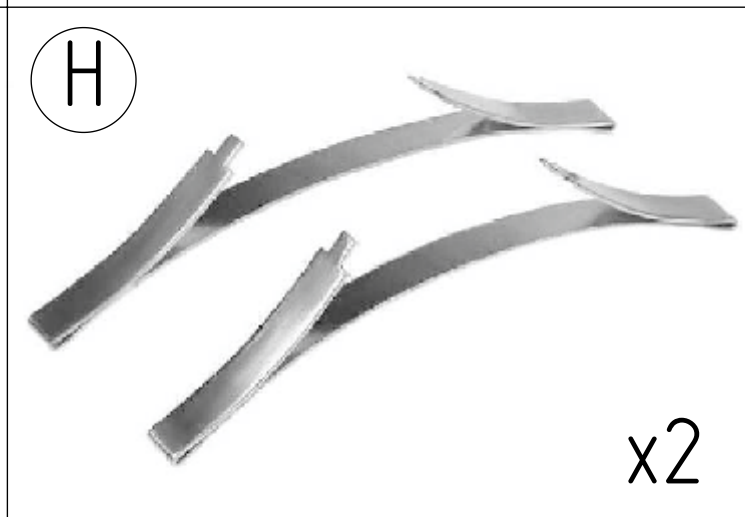
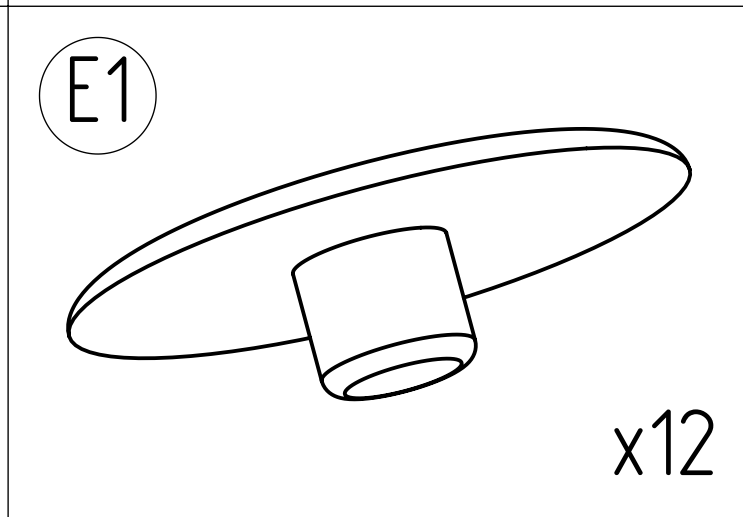
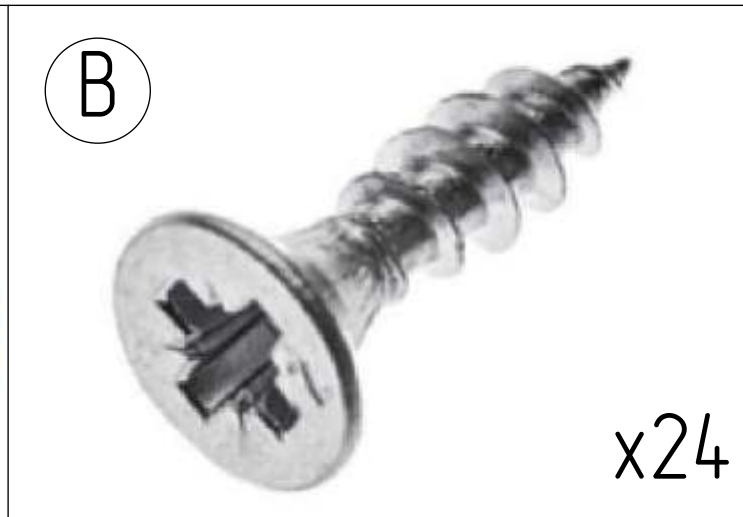
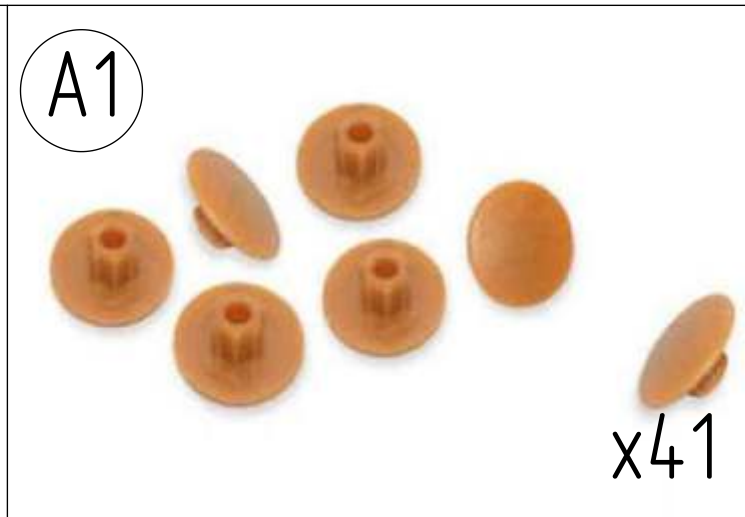
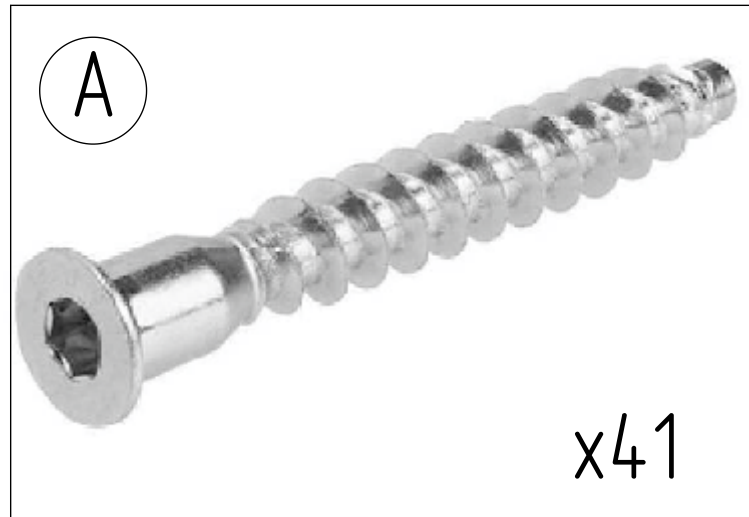


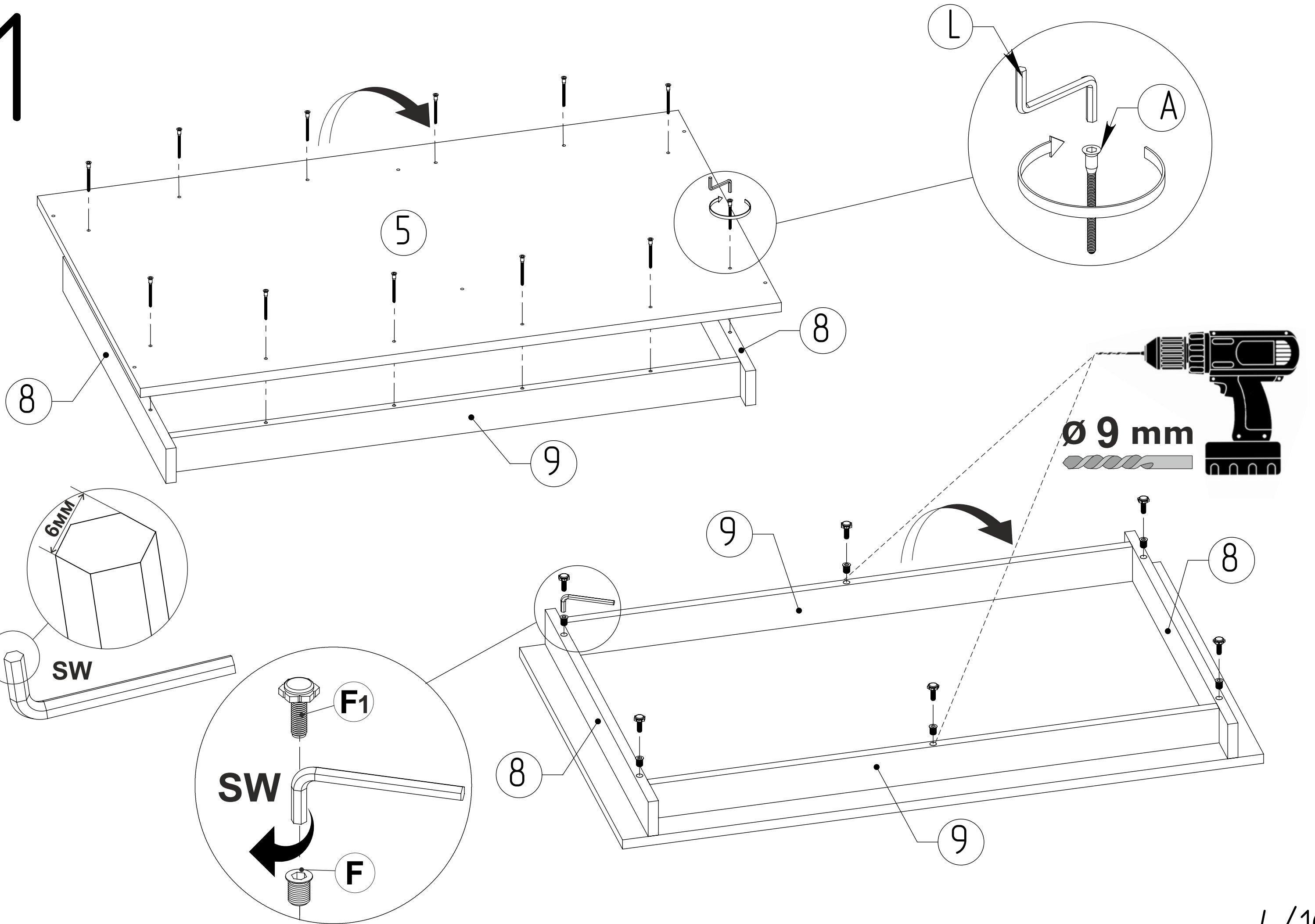
Ντουλάπα Diamond 100cm

220x45x100-130/SDW 220x45x100-130

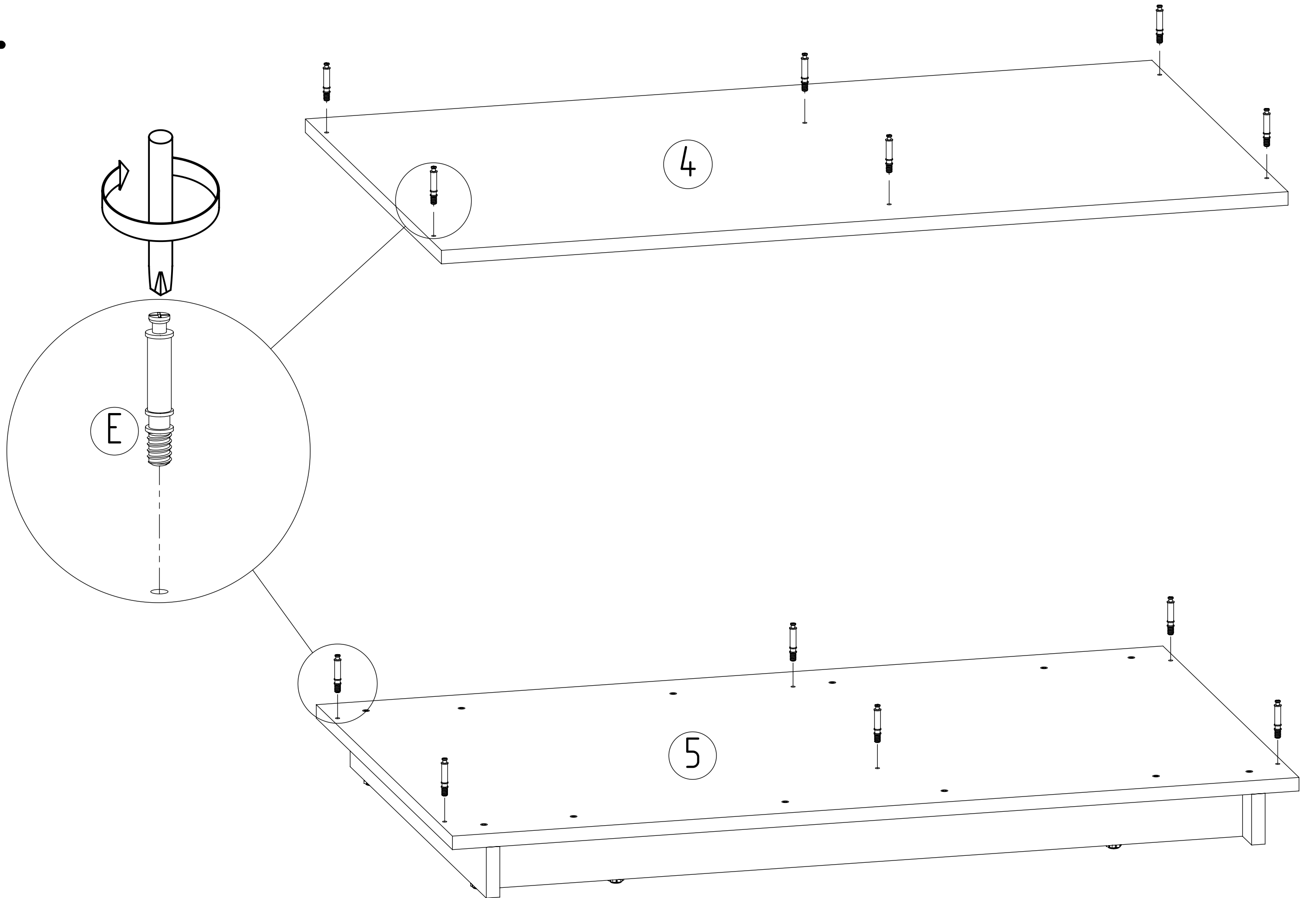
Nº	220x45x100	220x45x110	220x45x120	220x45x130	x
①	2105x450x16	2105x450x16	2105x450x16	2105x450x16	1
②	2105x450x16	2105x450x16	2105x450x16	2105x450x16	1
③	2105x350x16	2105x350x16	2105x350x16	2105x350x16	1
④	1000x450x16	1100x450x16	1200x450x16	1300x450x16	1
⑤	1000x450x16	1100x450x16	1200x450x16	1300x450x16	1
⑥	522x350x16	622x350x16	822x350x16	922x350x16	2
⑦	430x350x16	430x350x16	430x350x16	430x350x16	5
⑧	450x60x16	450x60x16	450x60x16	450x60x16	2
⑨	888x60x16	988x60x16	1088x60x16	1188x60x16	2
⑩	996x424x2.5	1096x424x2.5	1196x424x2.5	1296x424x2.5	5
⑪	2164x515	2164x565	2164x593	2164x665	2
⑫	L=966	L=1066	L=1166	L=1266	1
⑬	L=966	L=1066	L=1166	L=1266	1



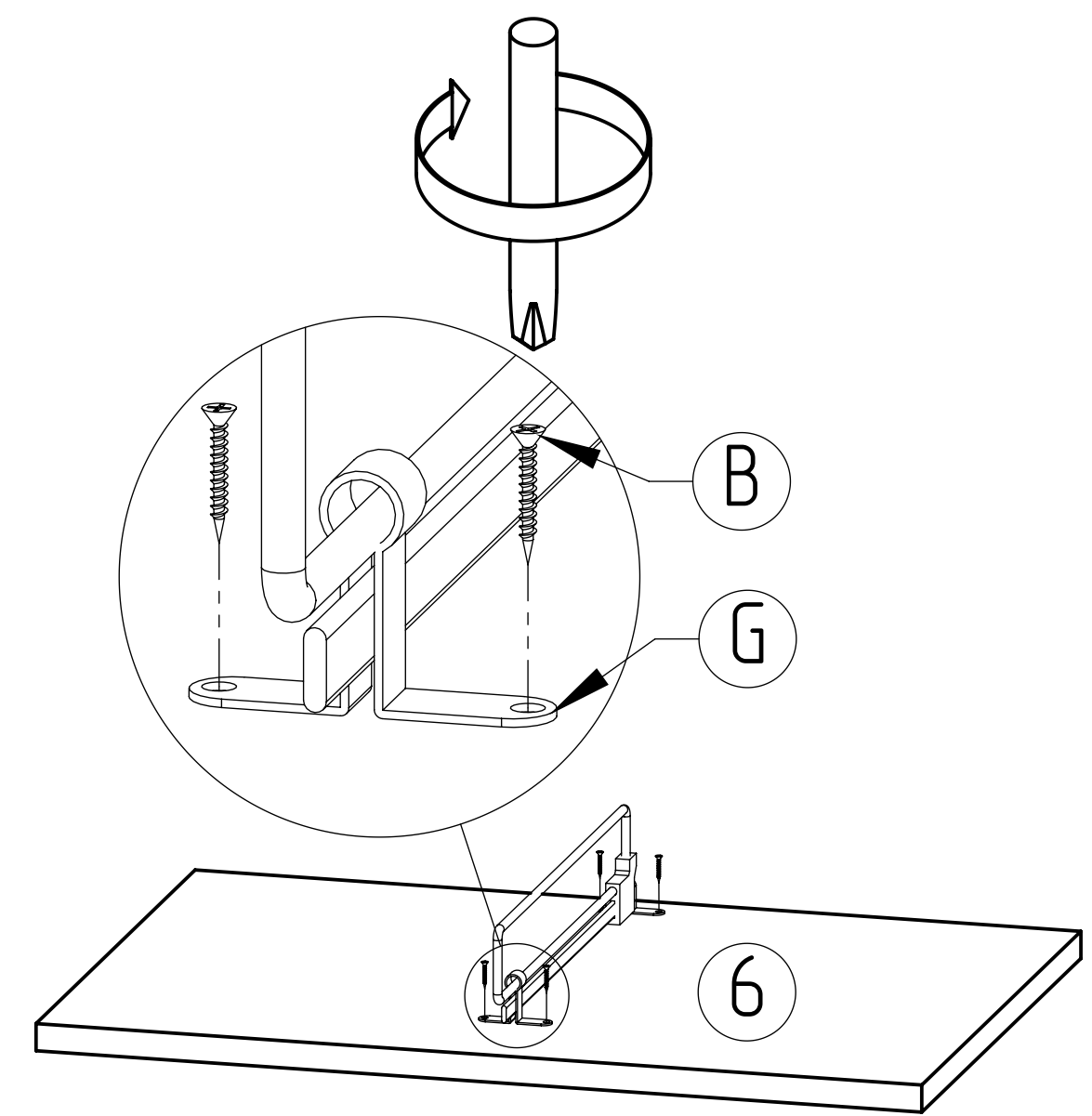
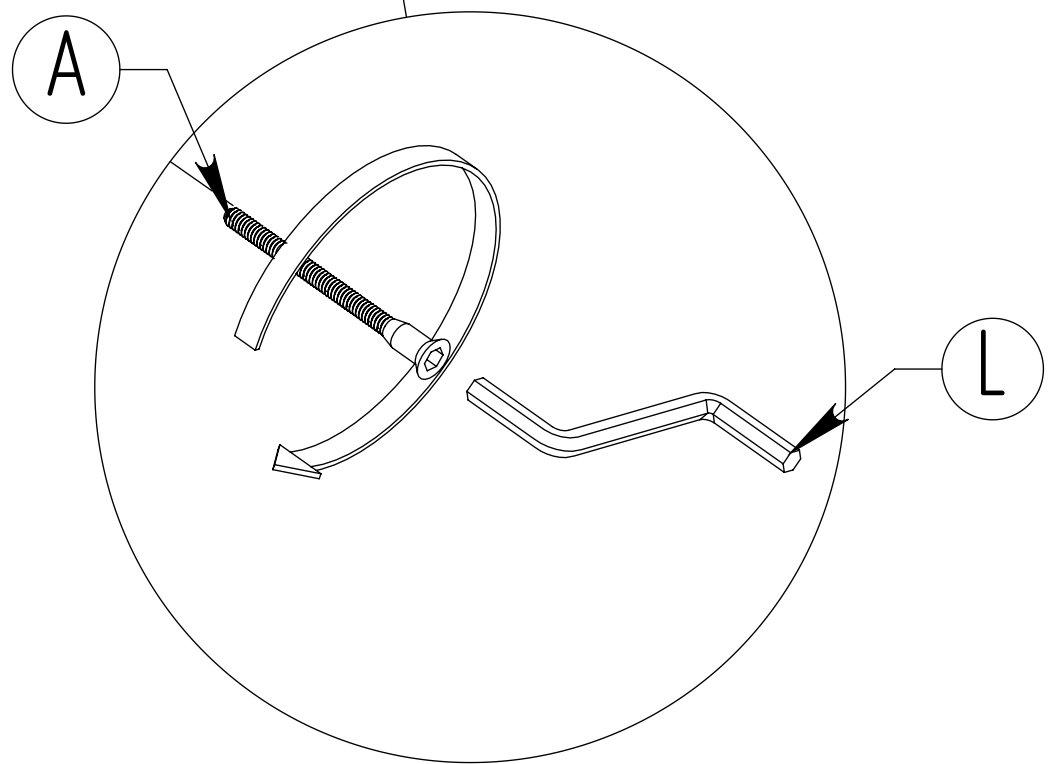
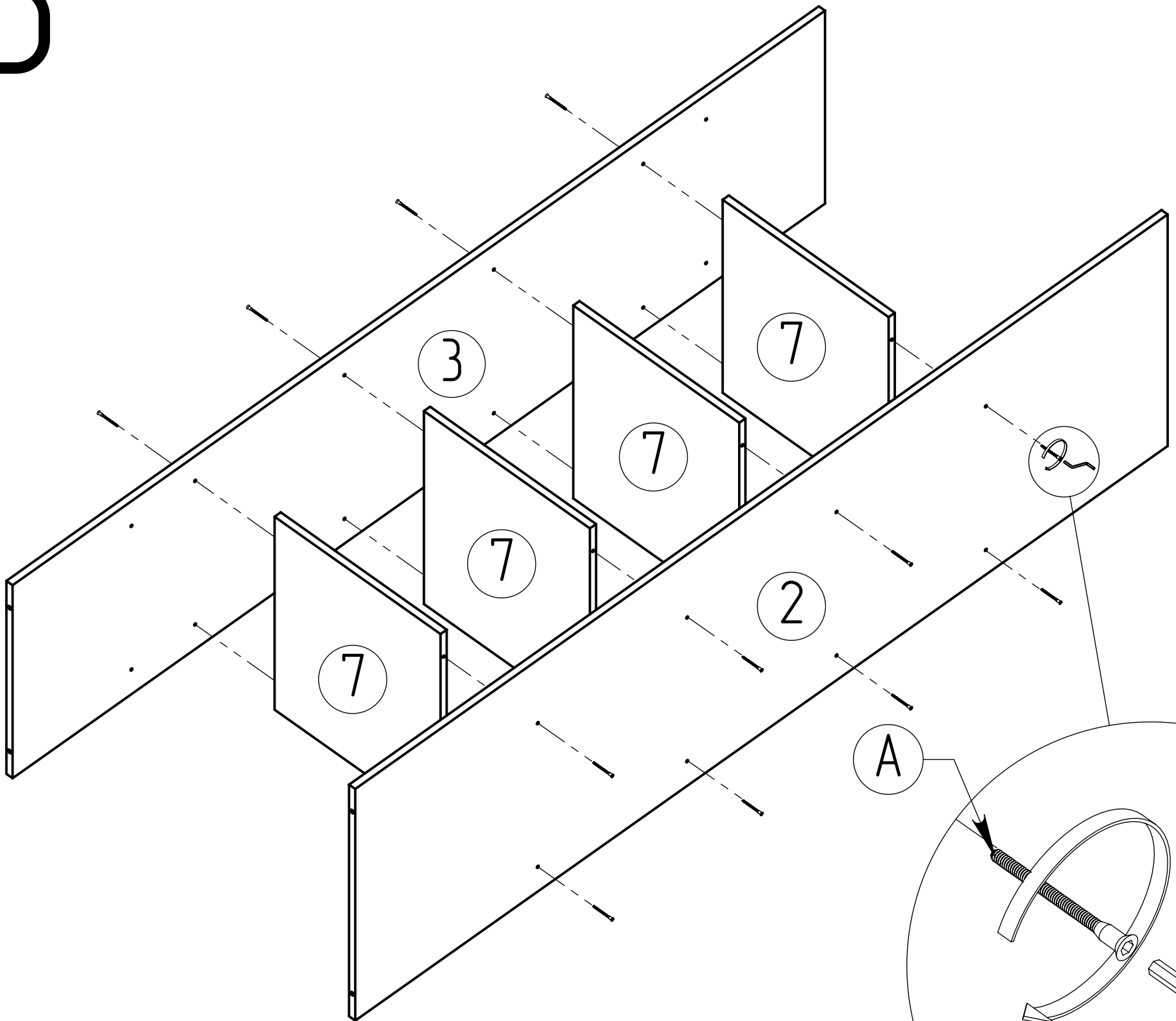
1



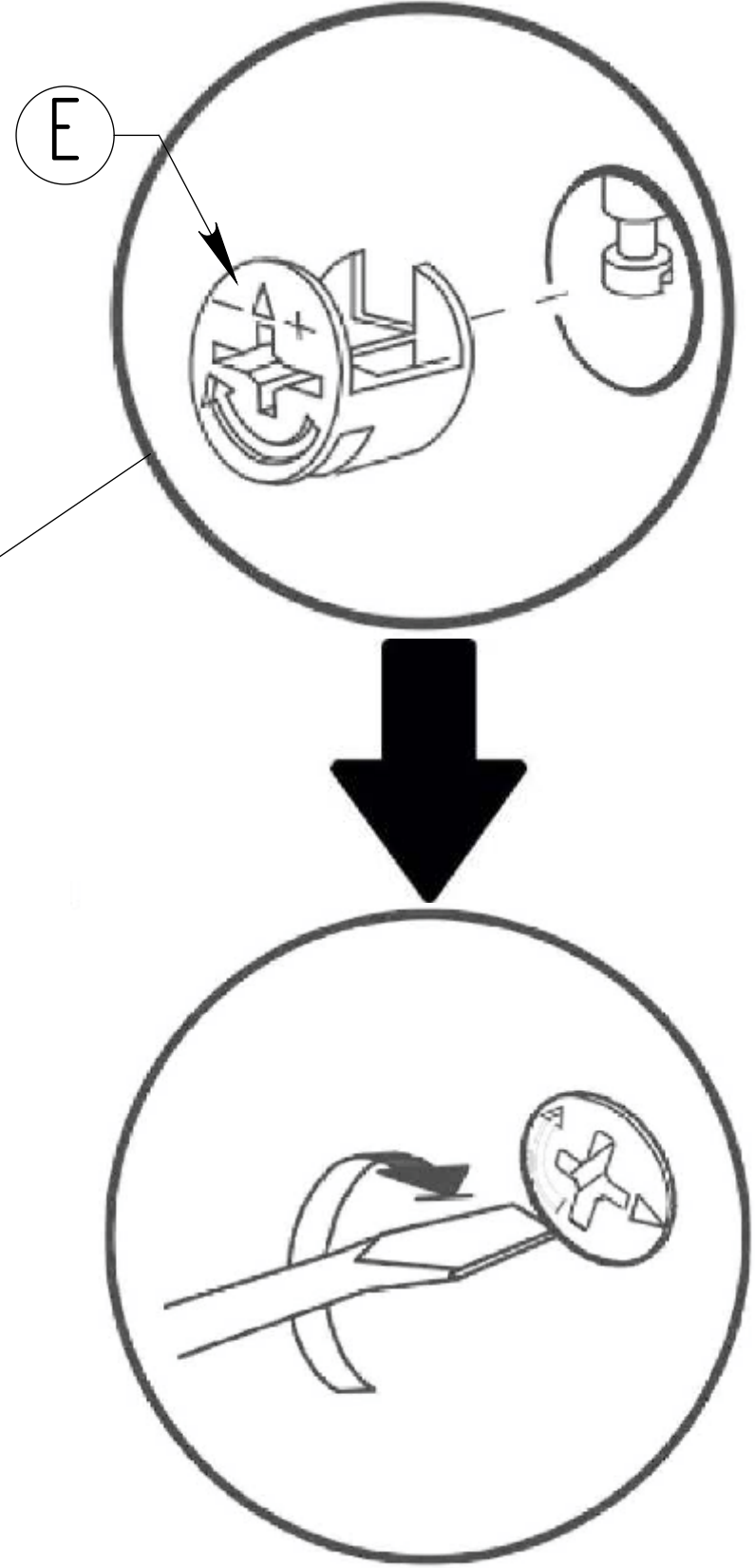
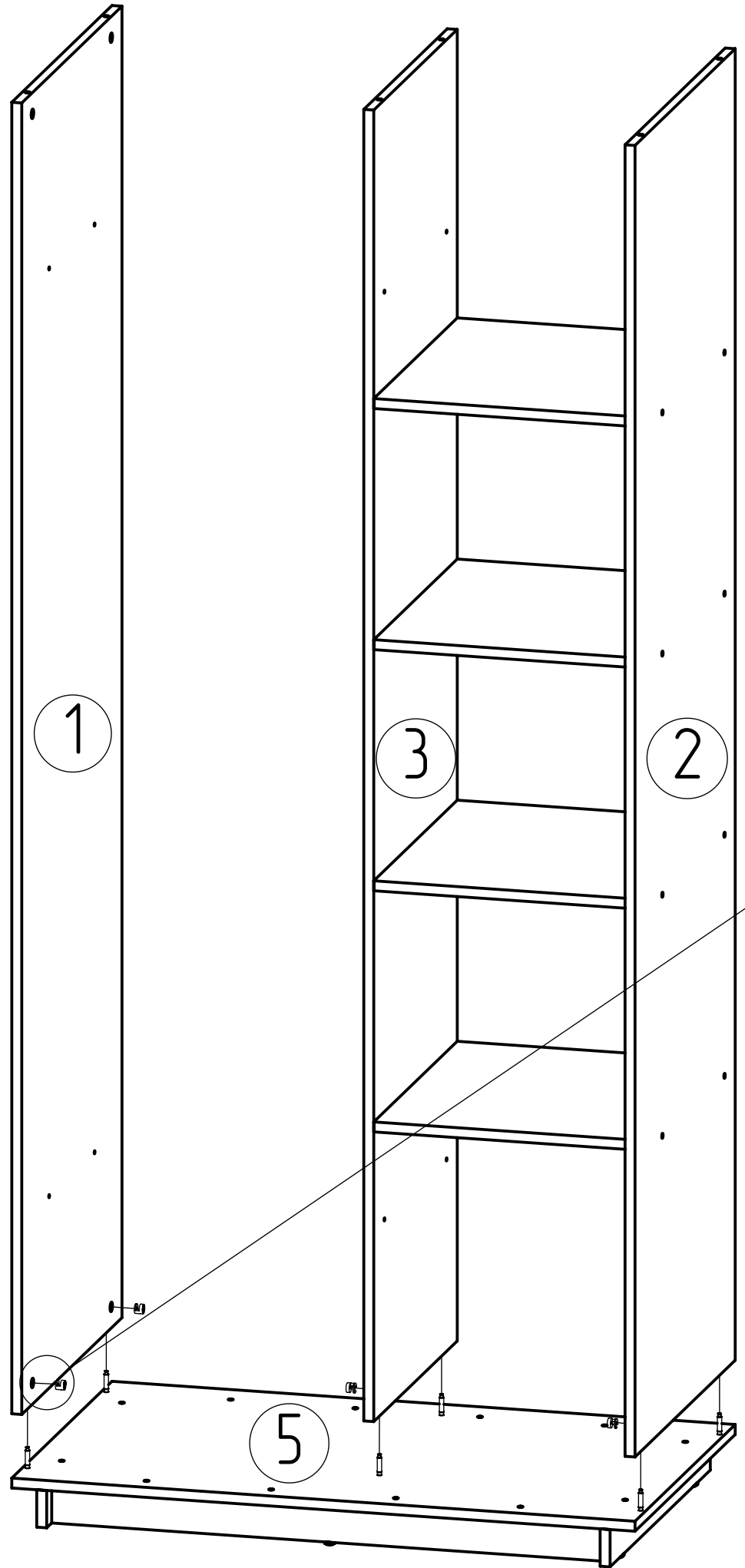
2



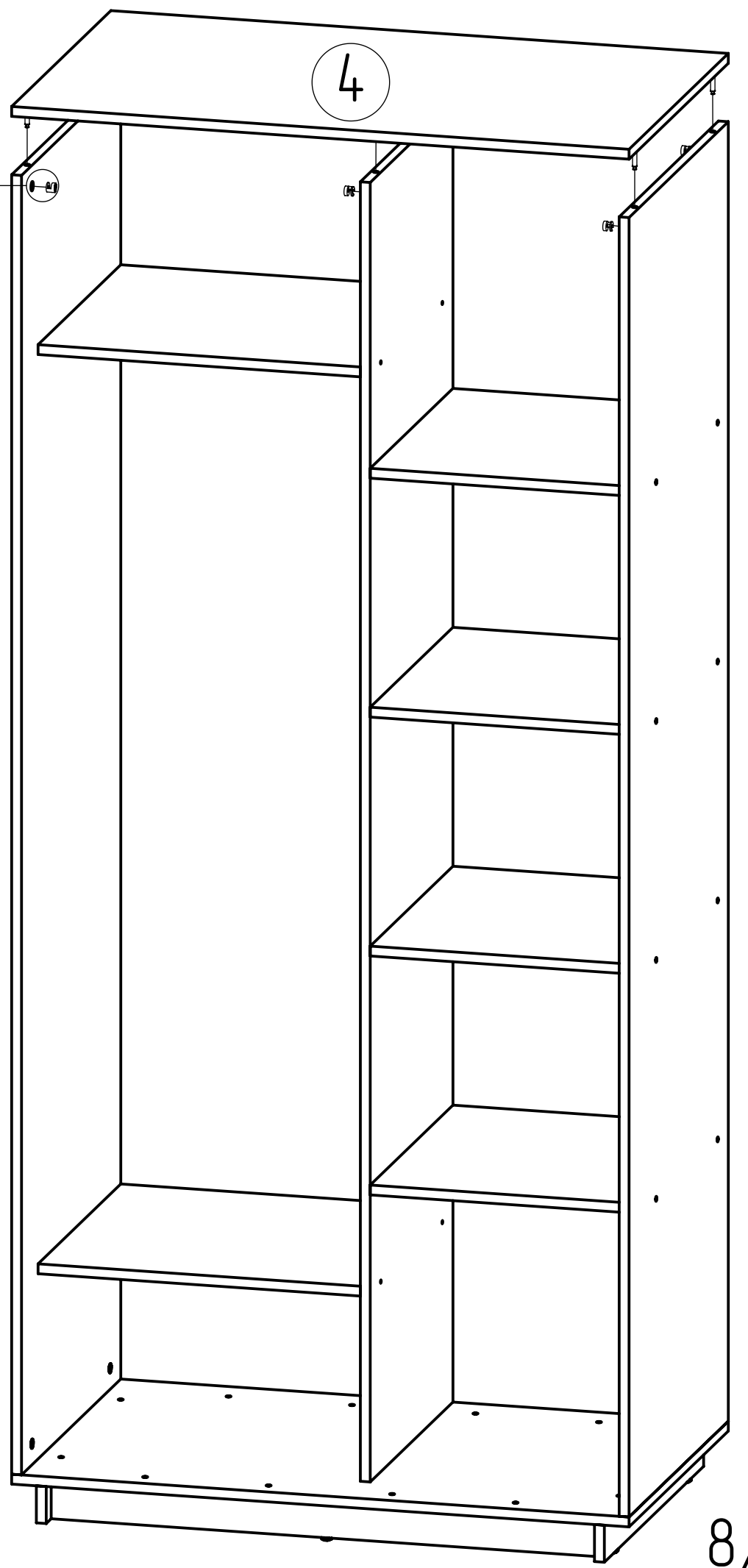
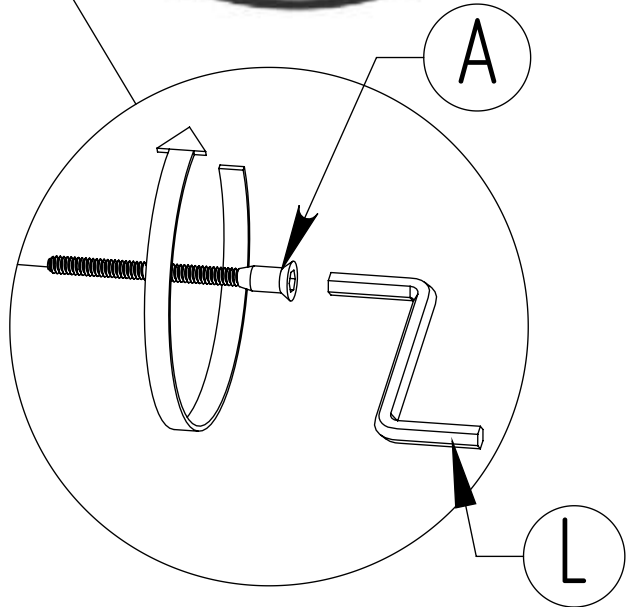
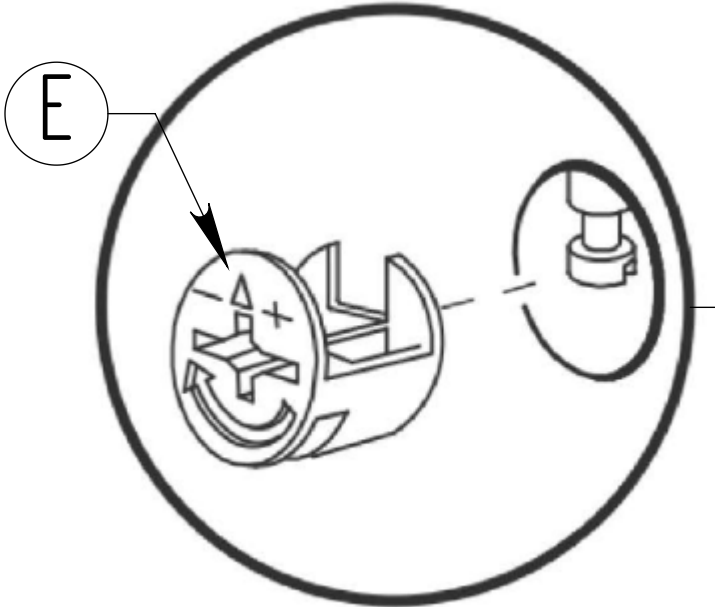
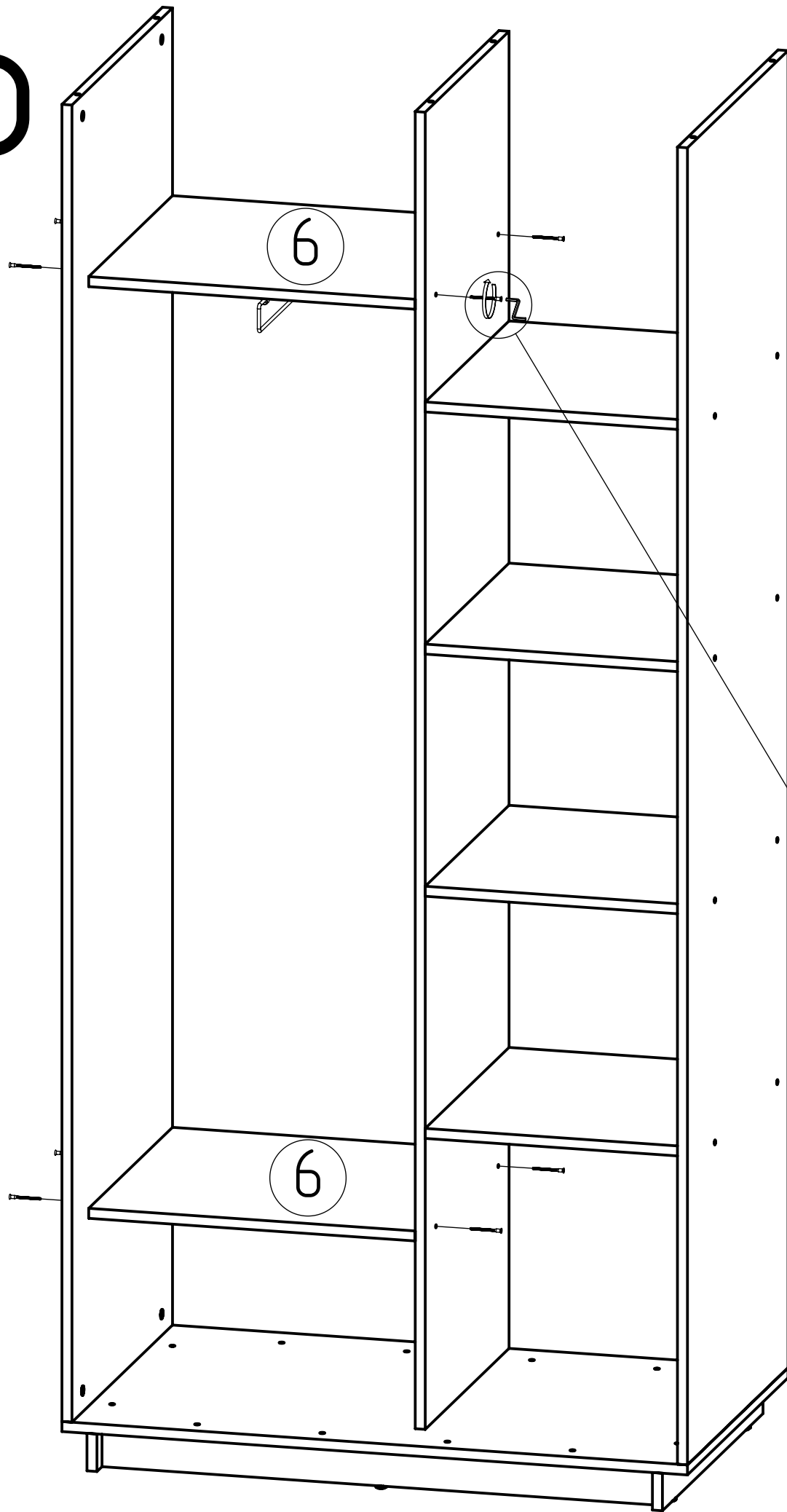
3



4

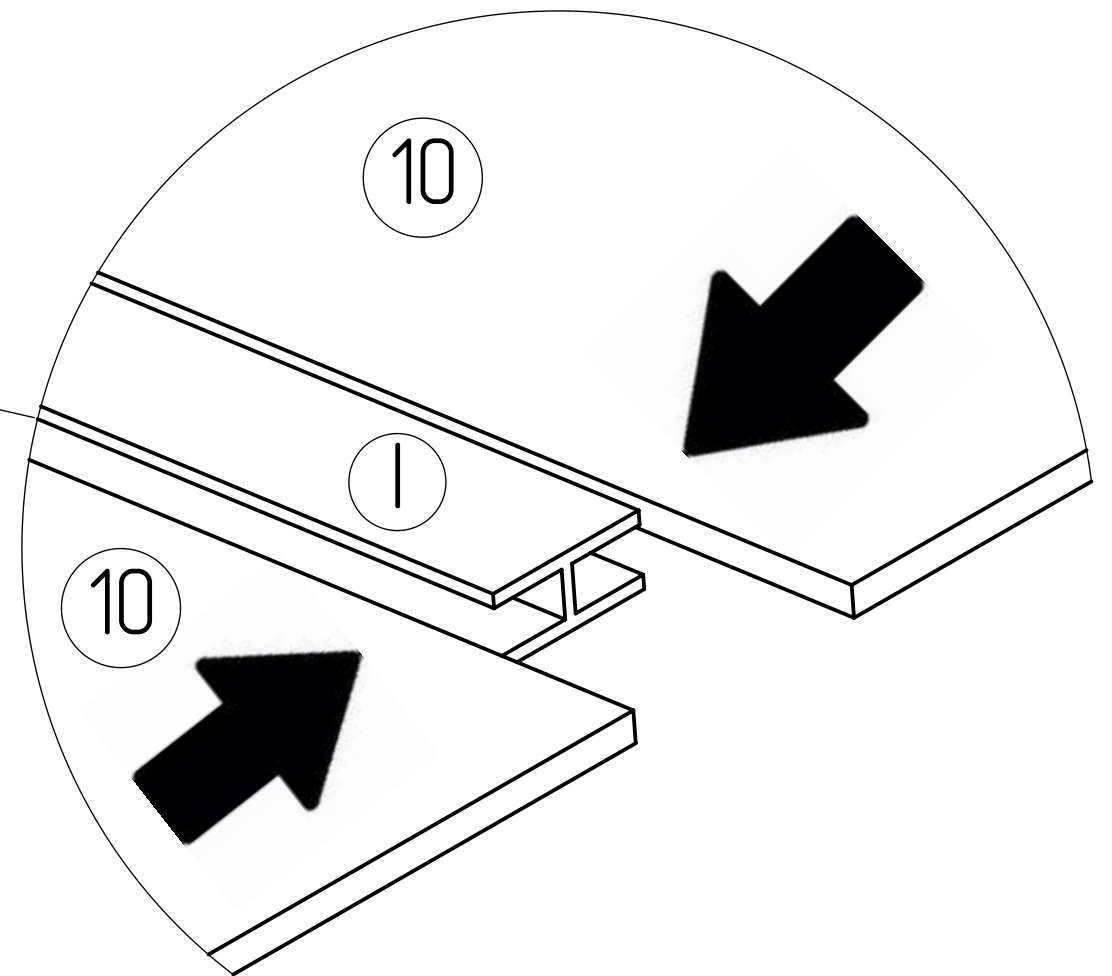
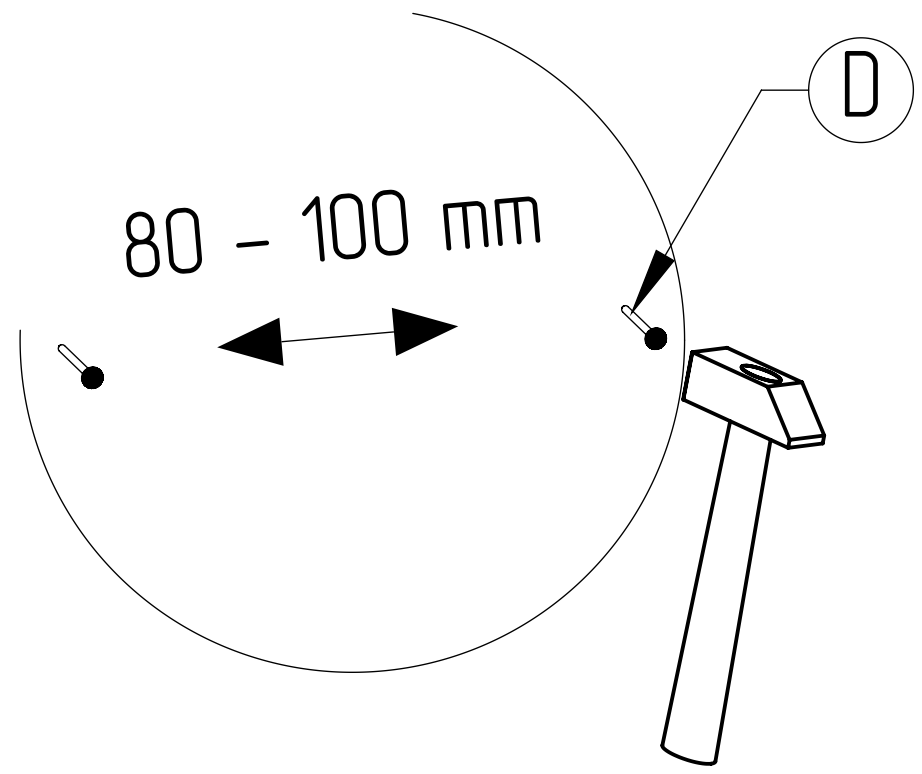
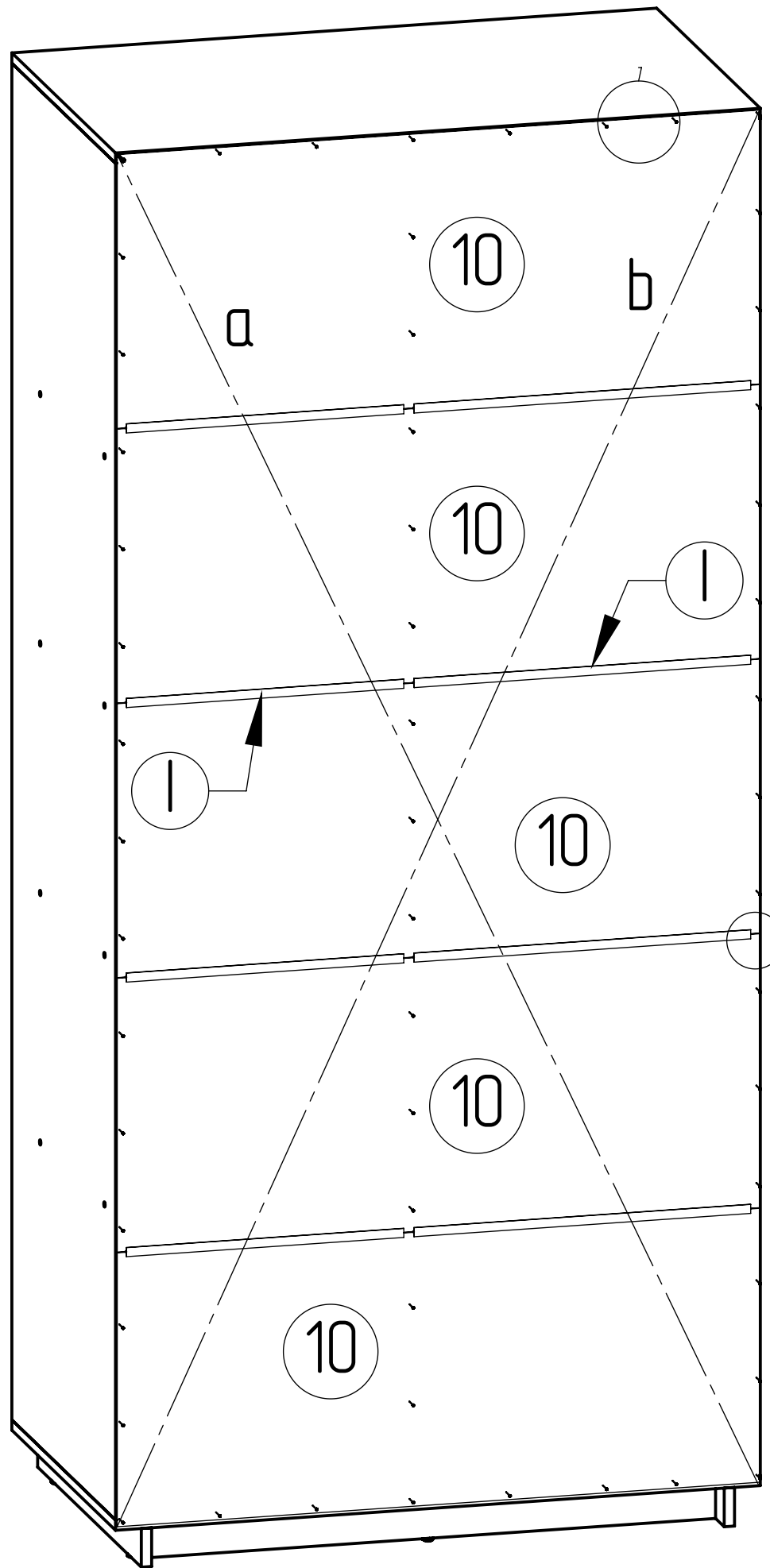


5

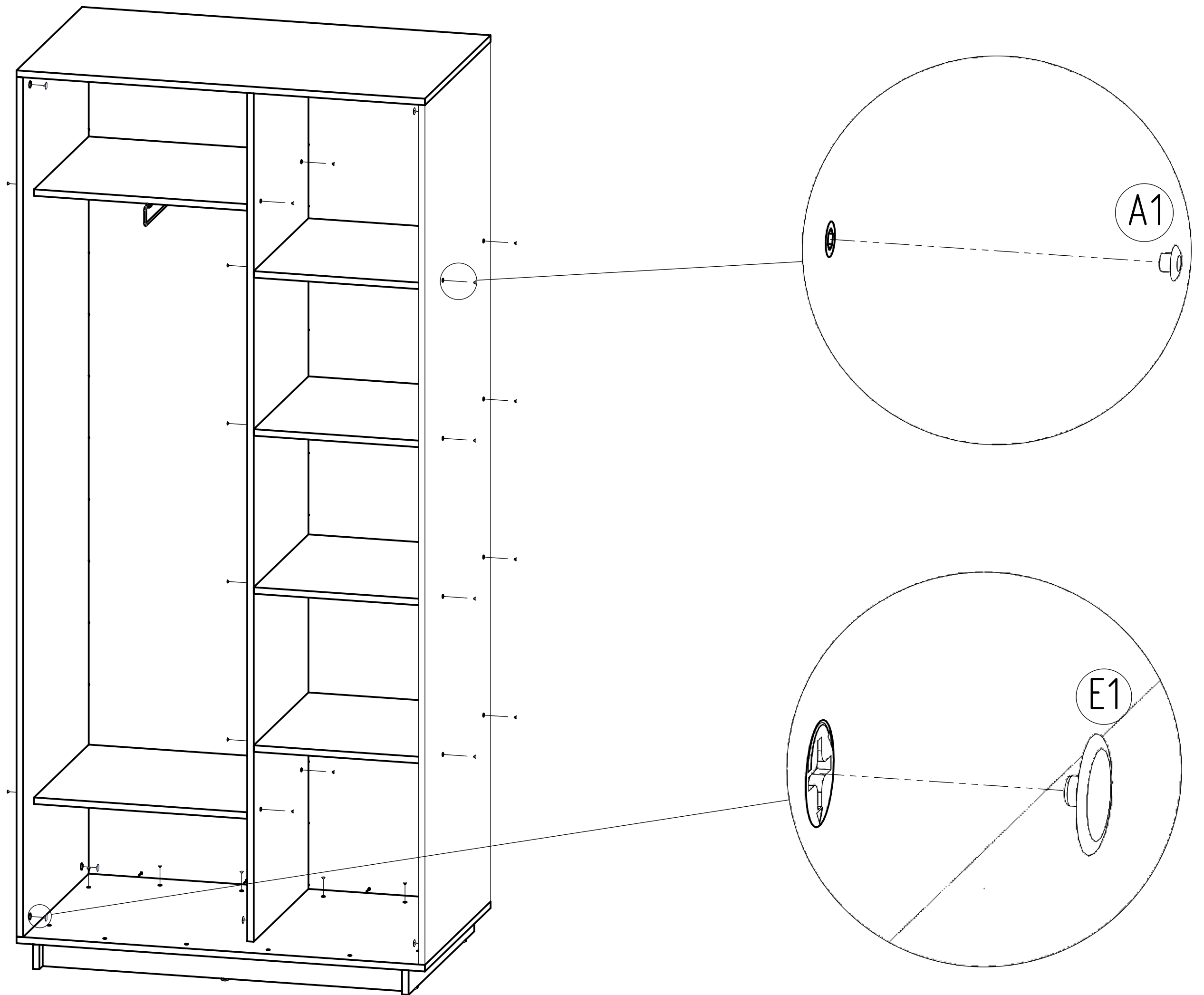


6

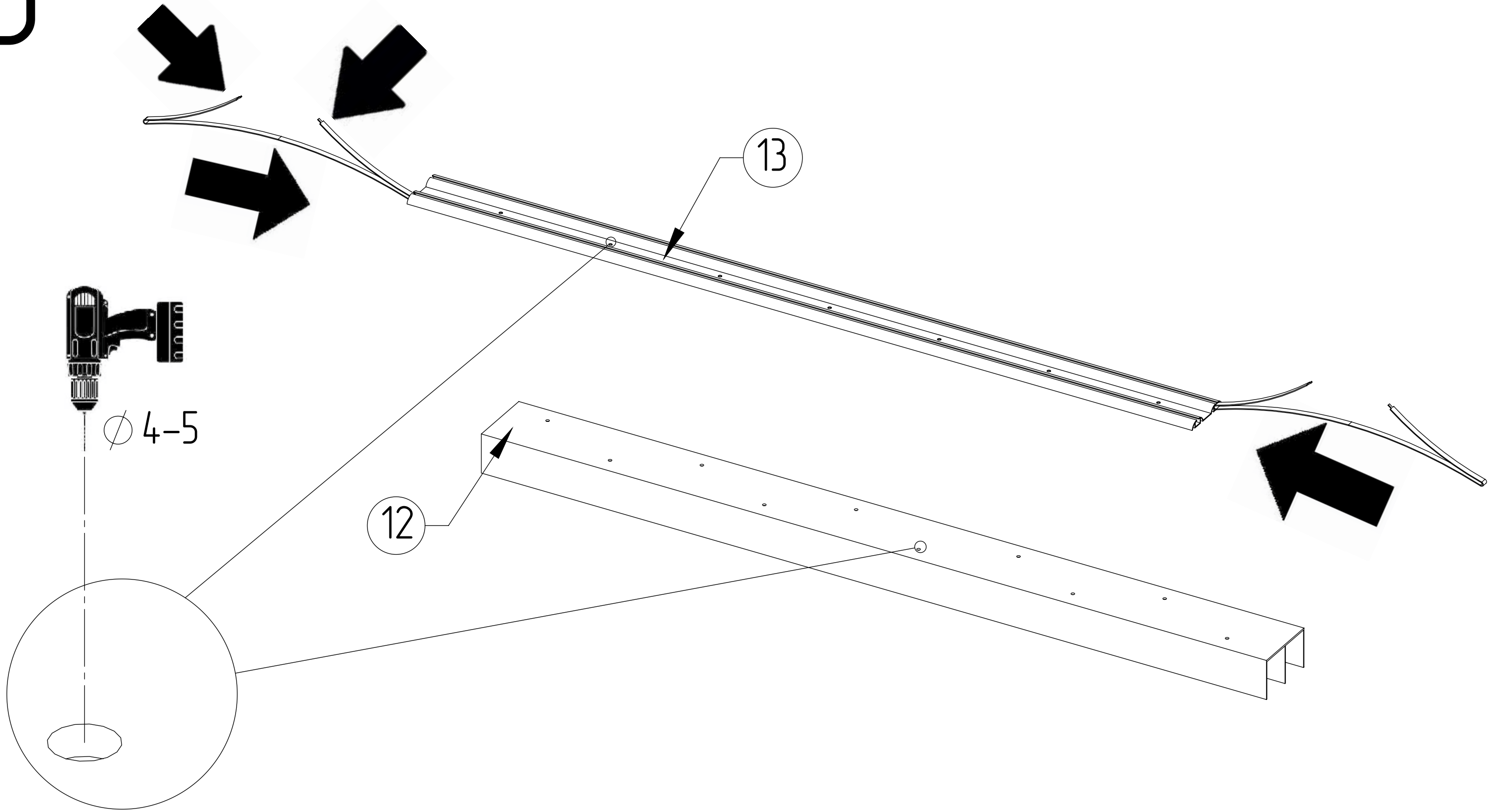
$a = b$



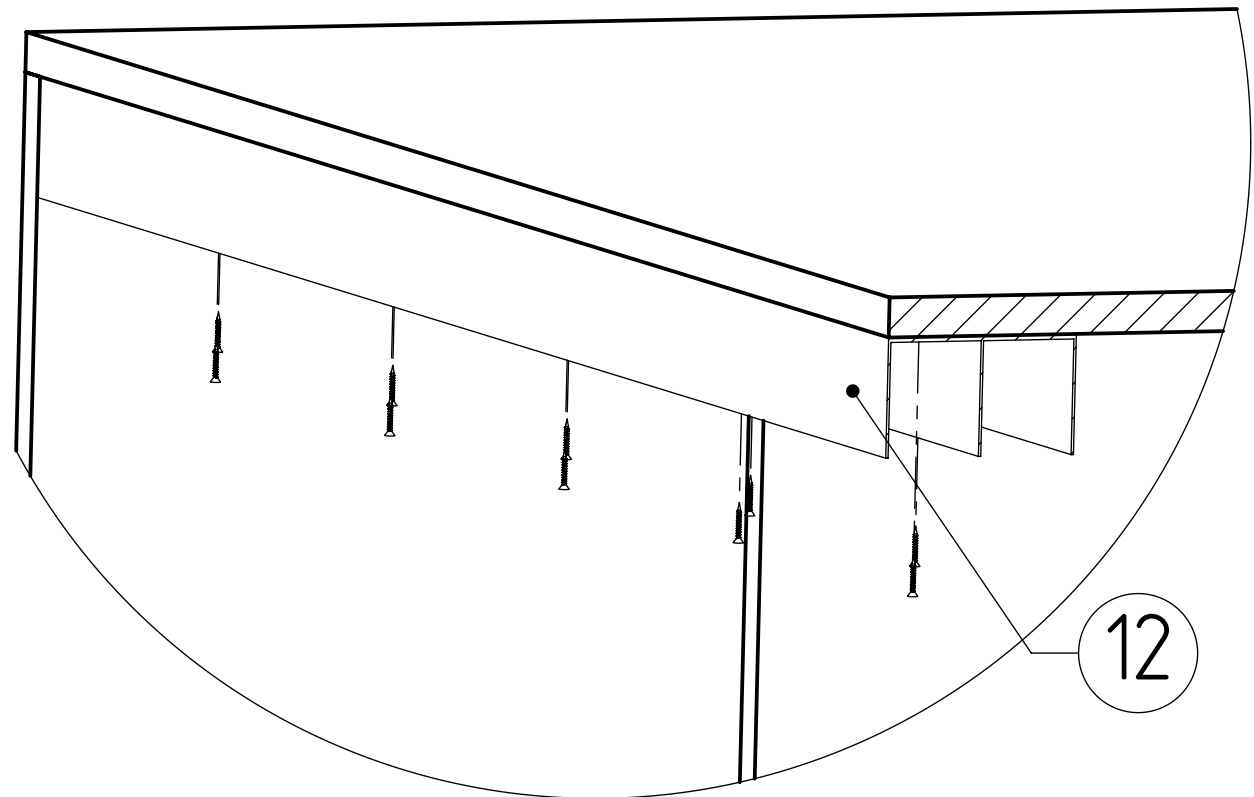
7



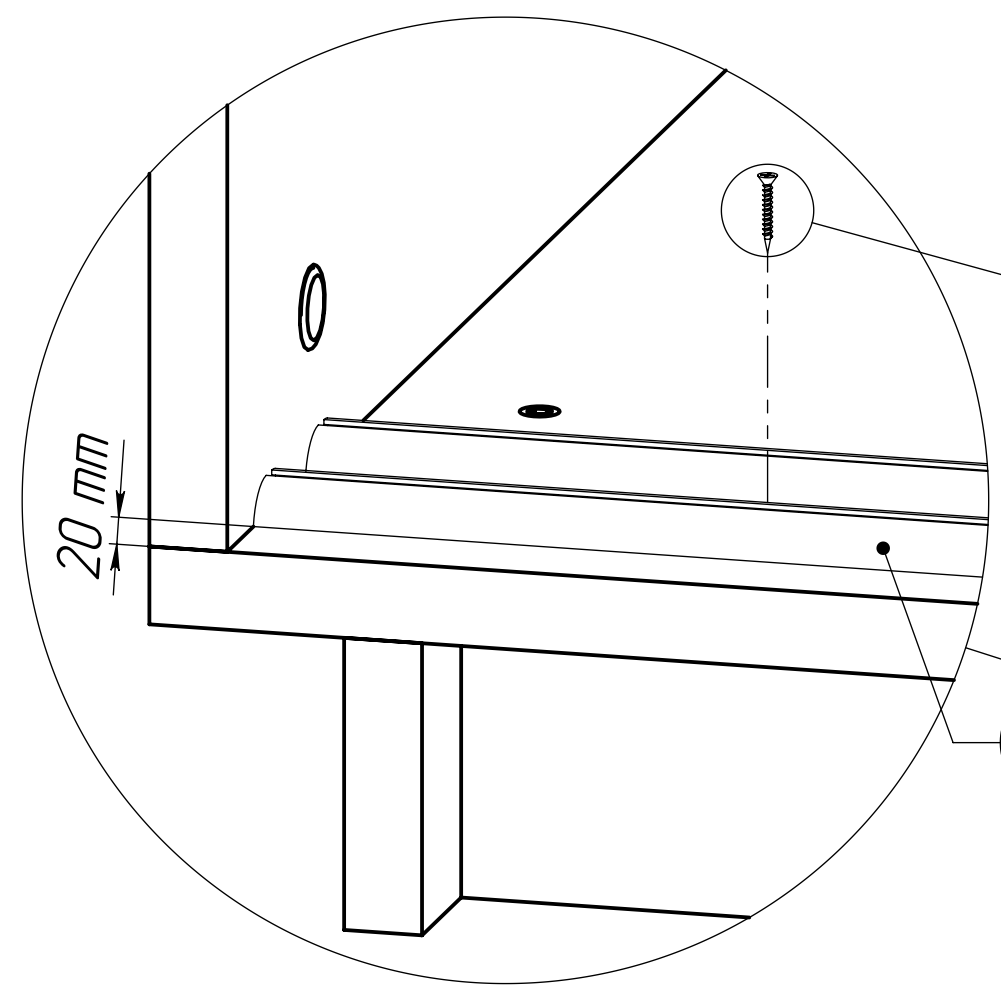
8



9

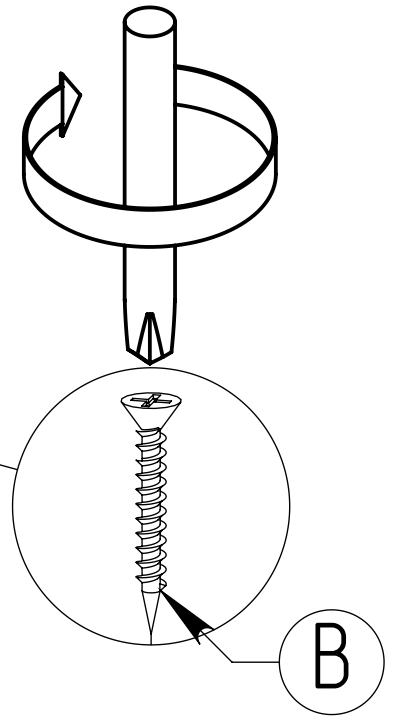


12

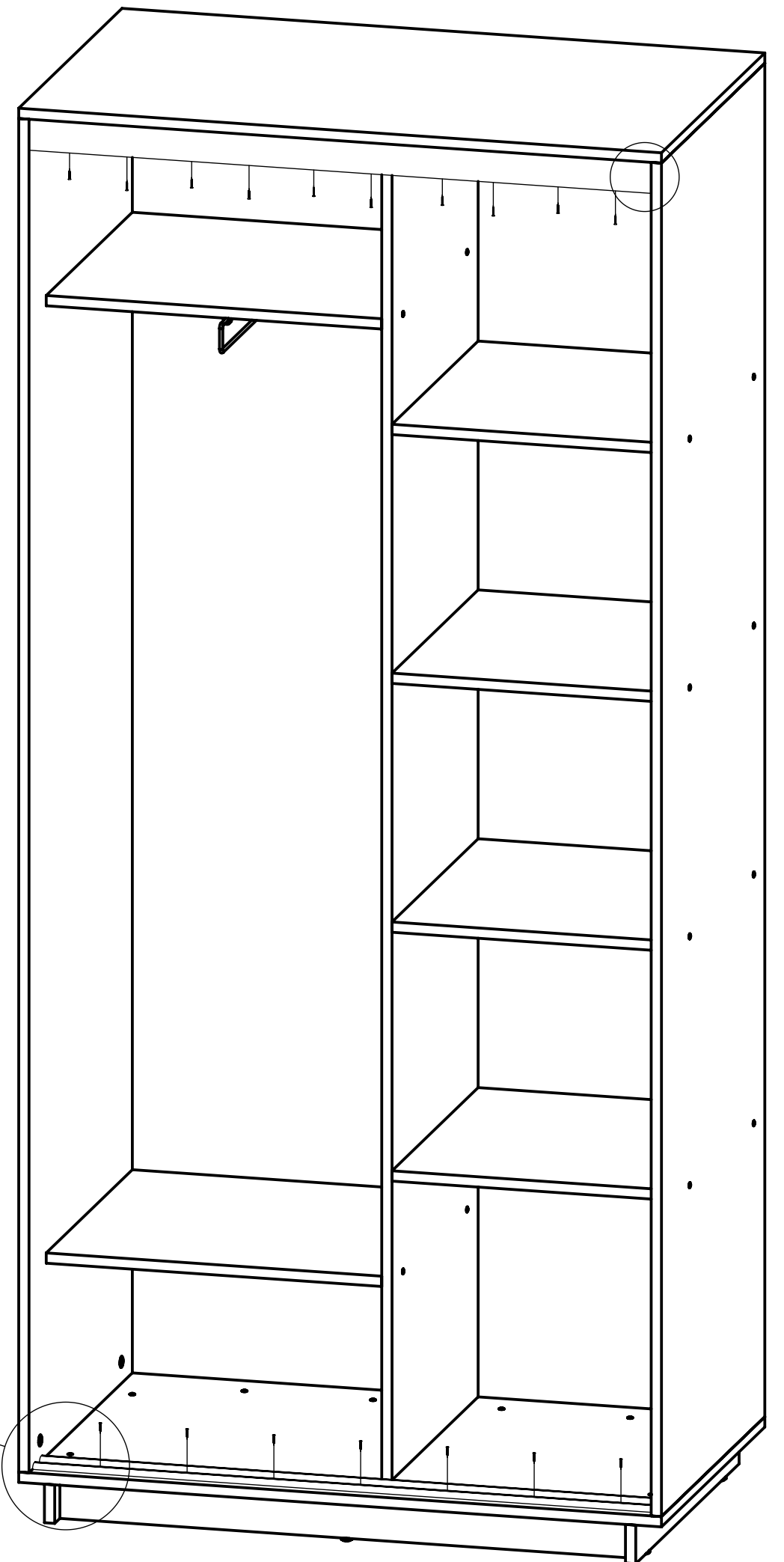


20 mm

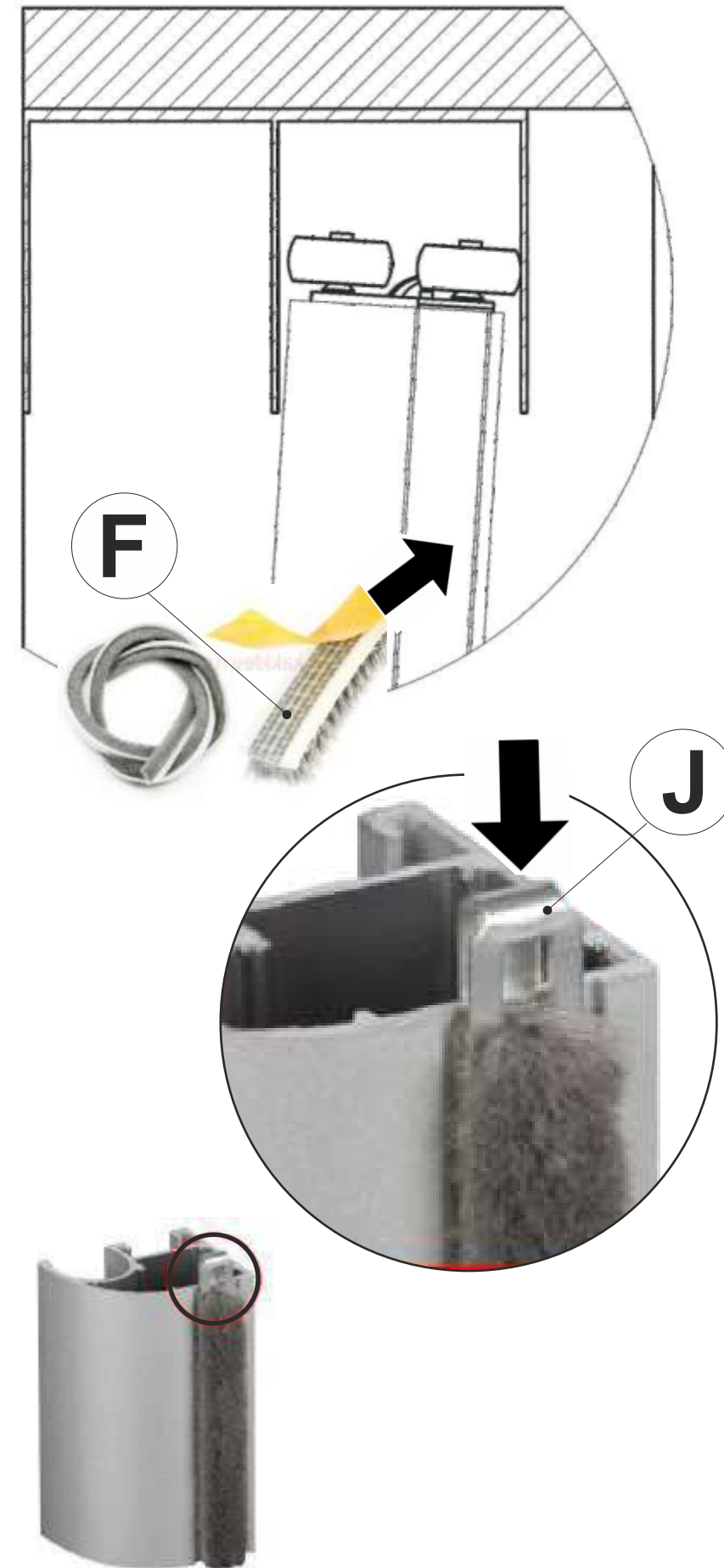
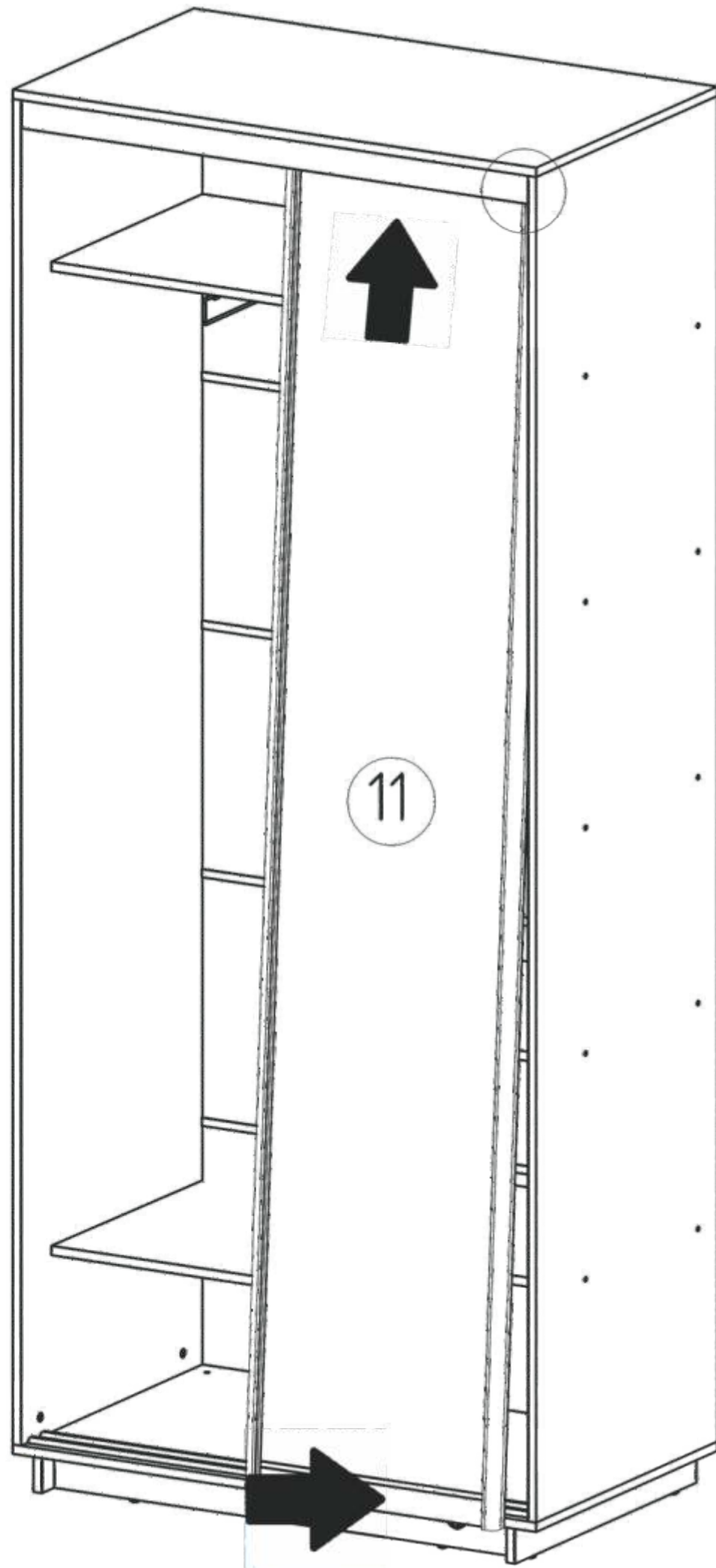
13



B



10



11

