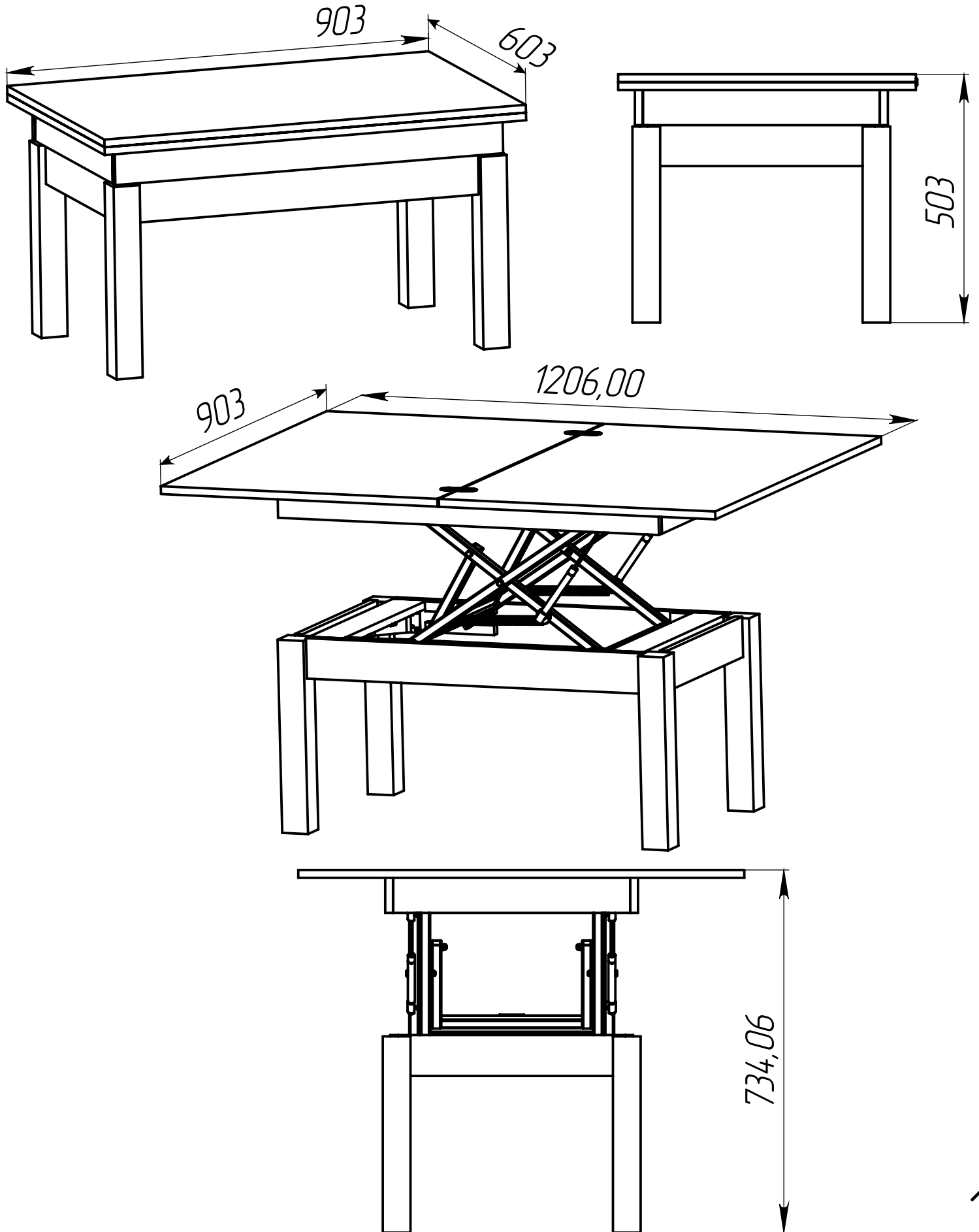
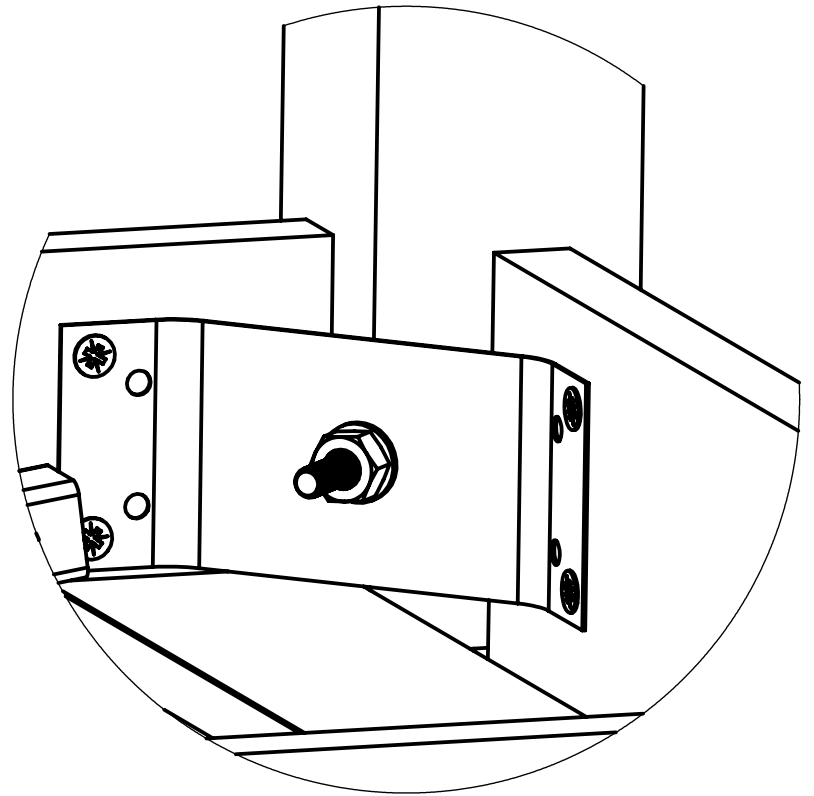
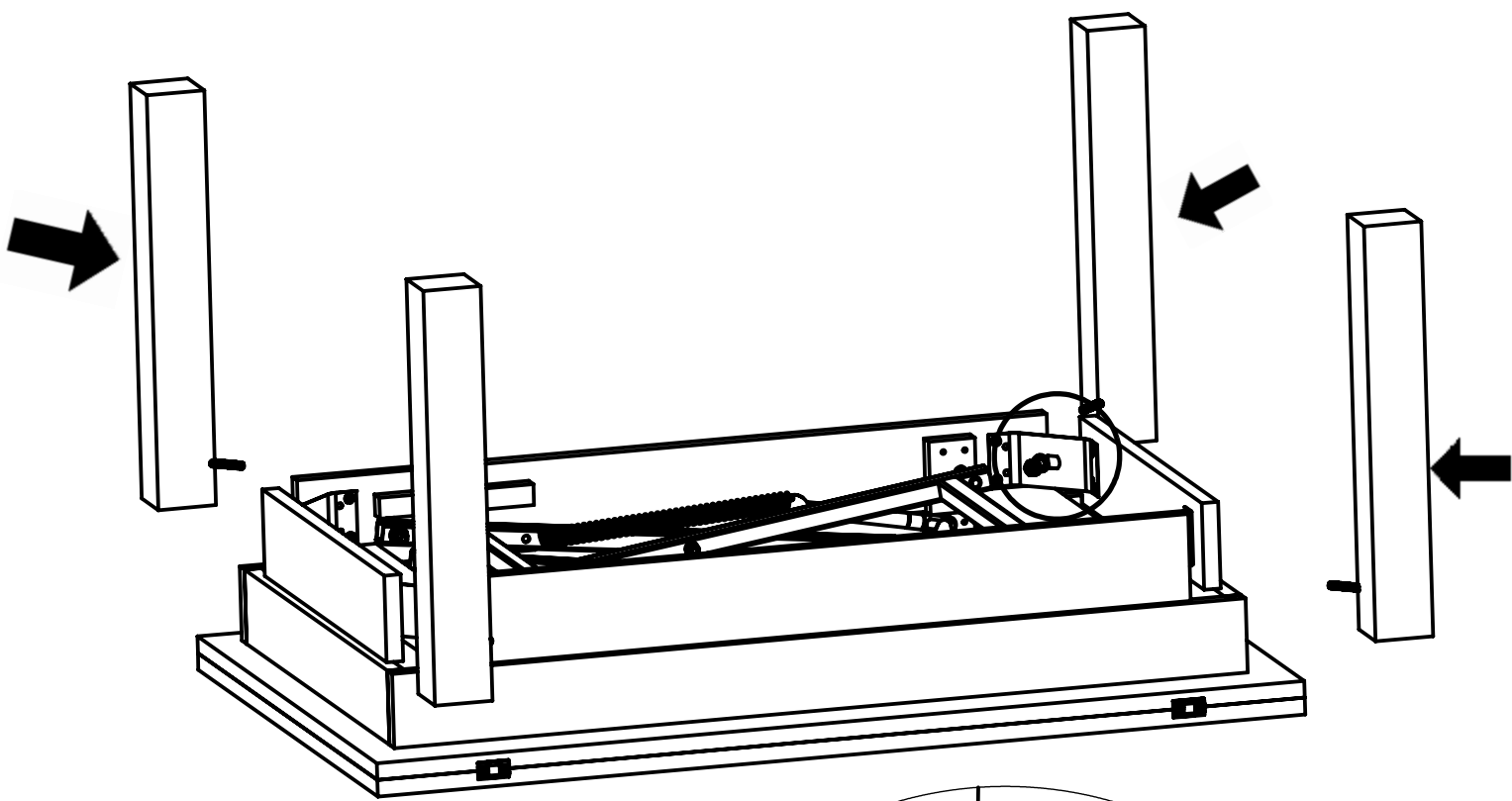
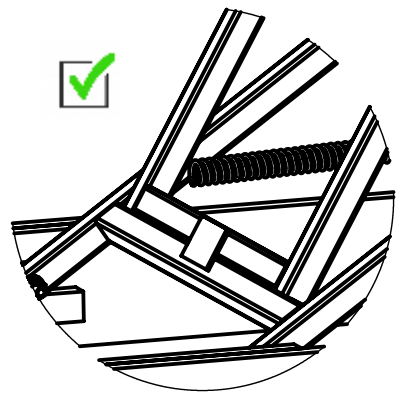
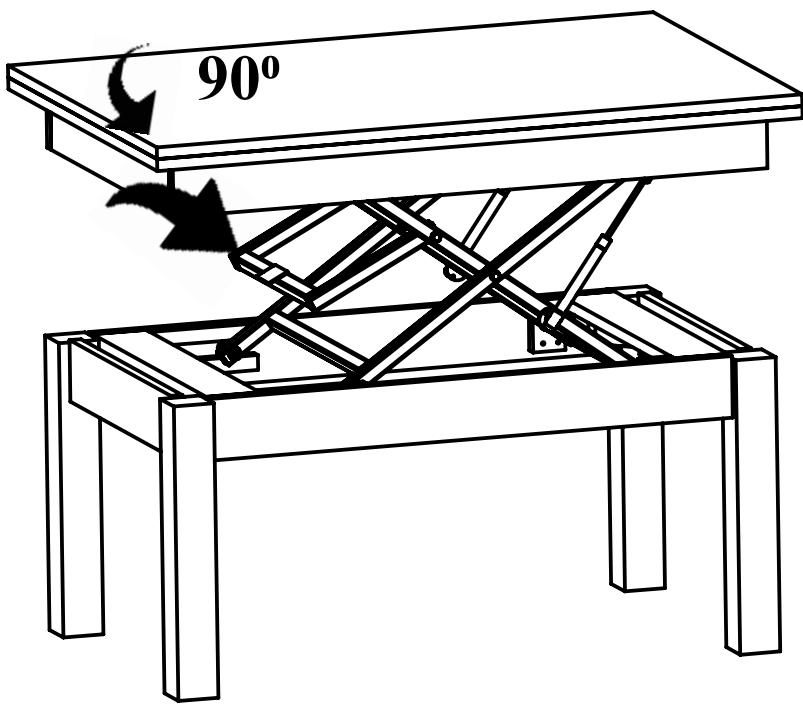
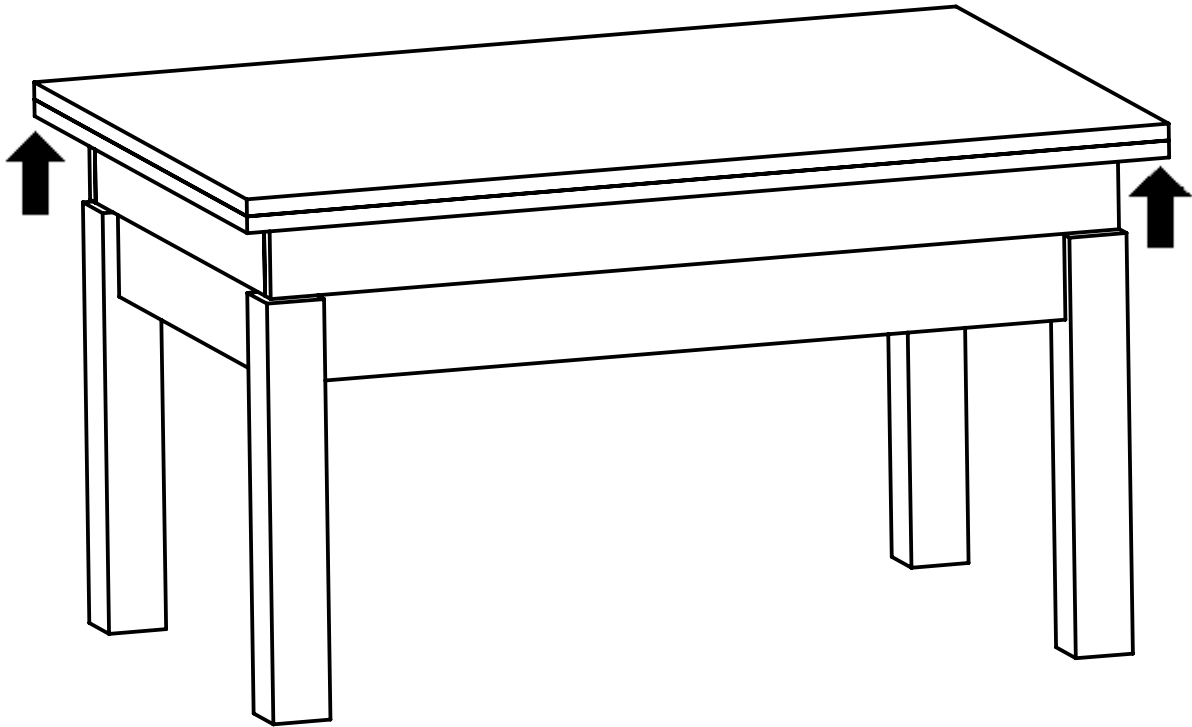


Table-transformer







180°

