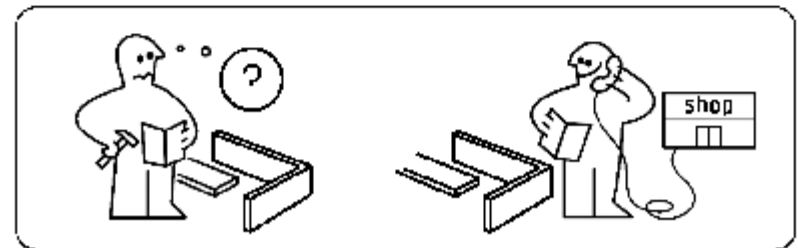
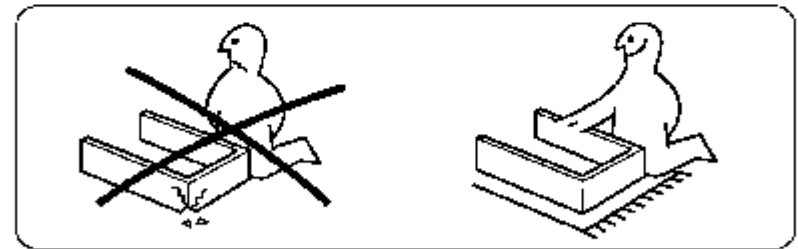
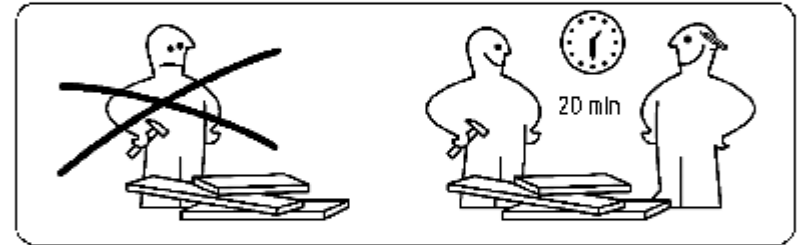
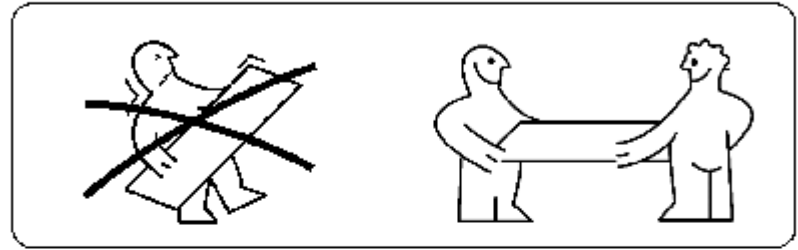
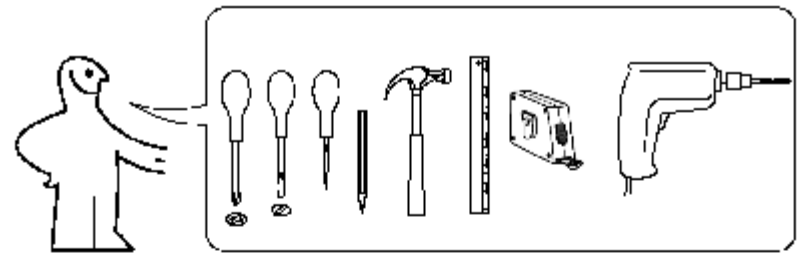
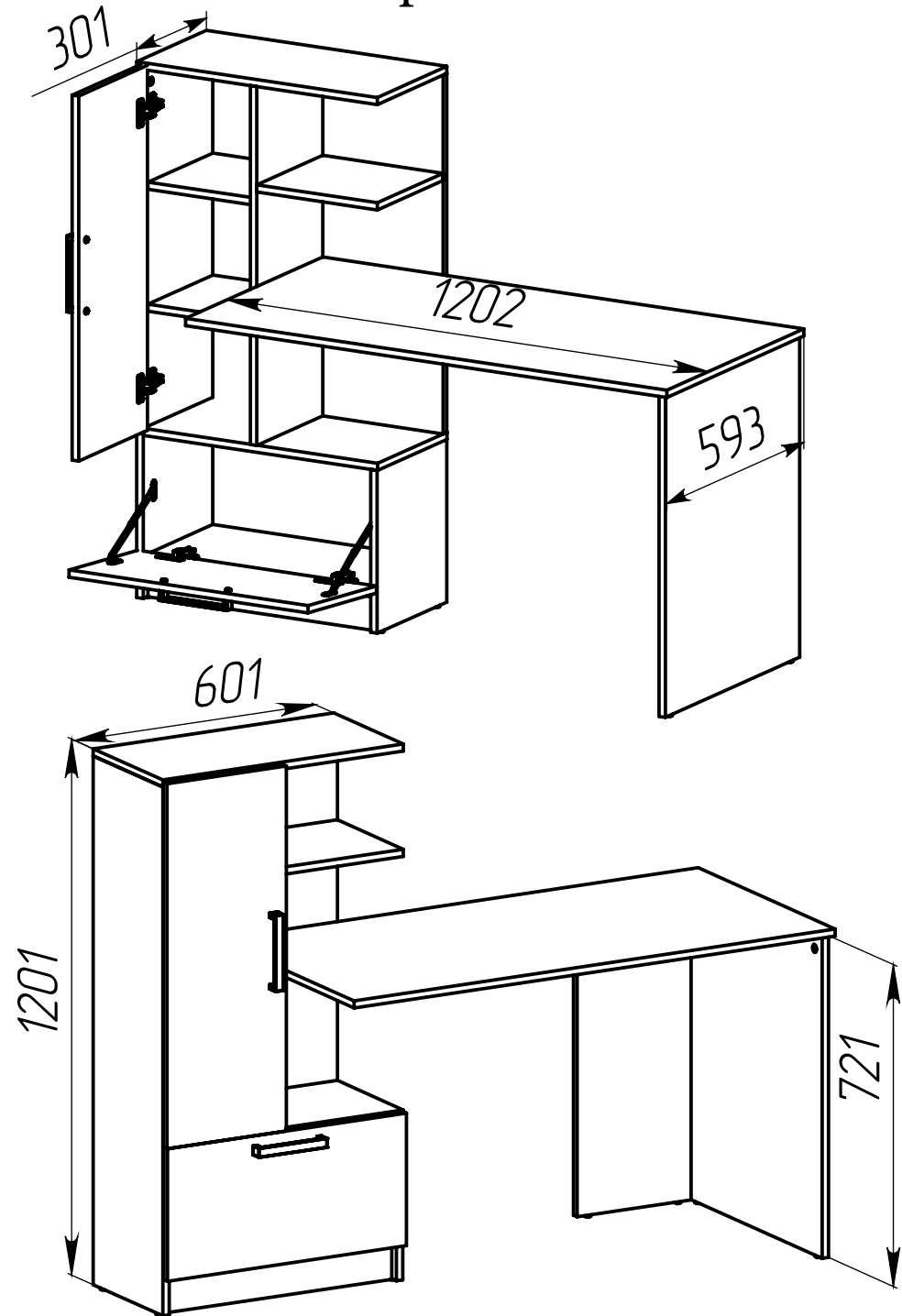
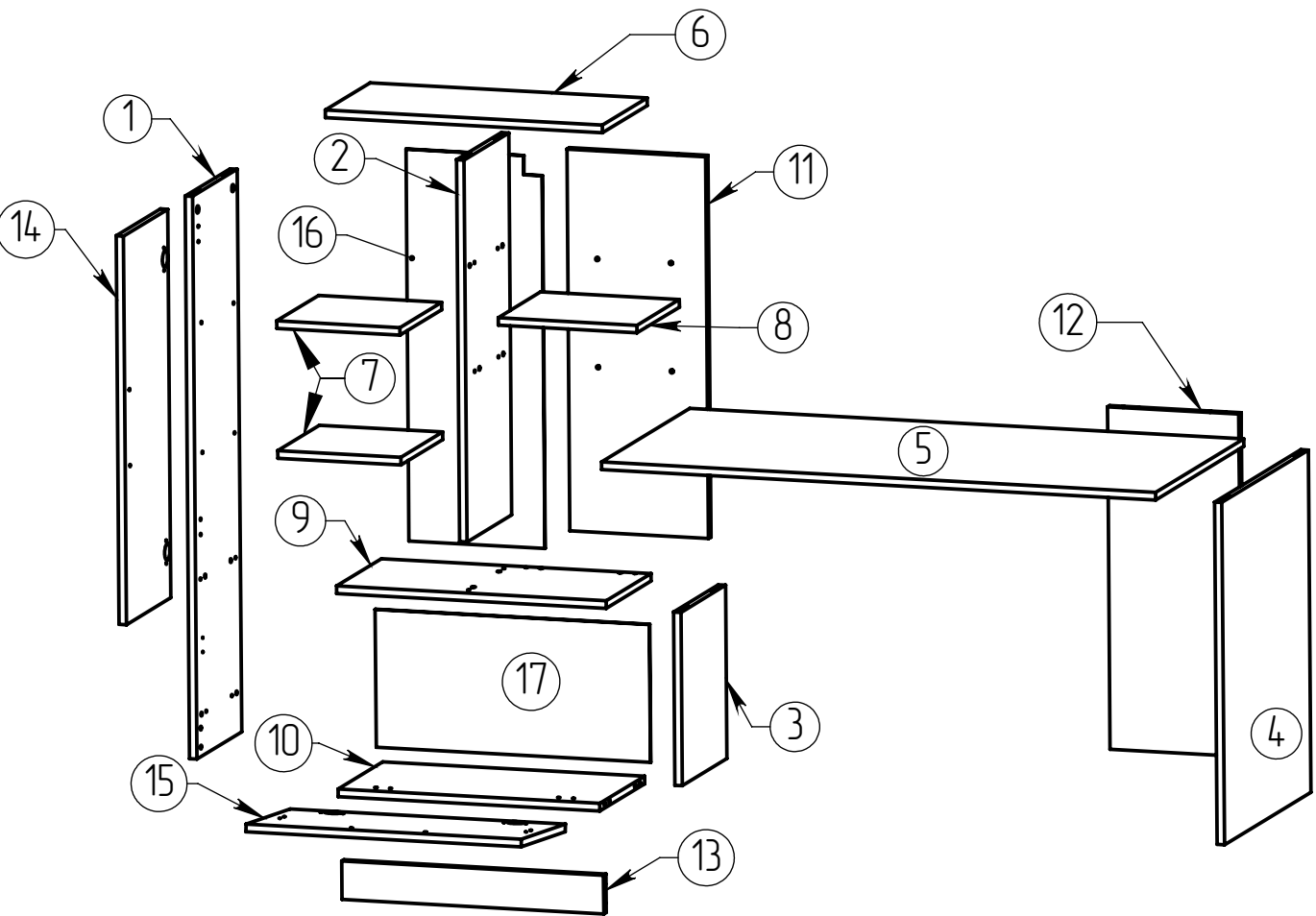
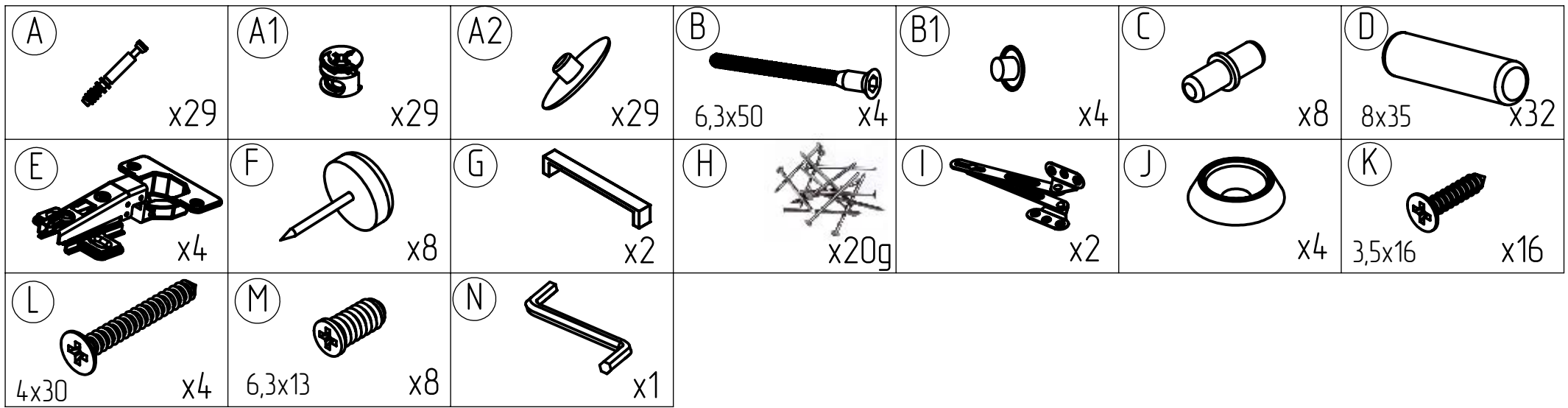




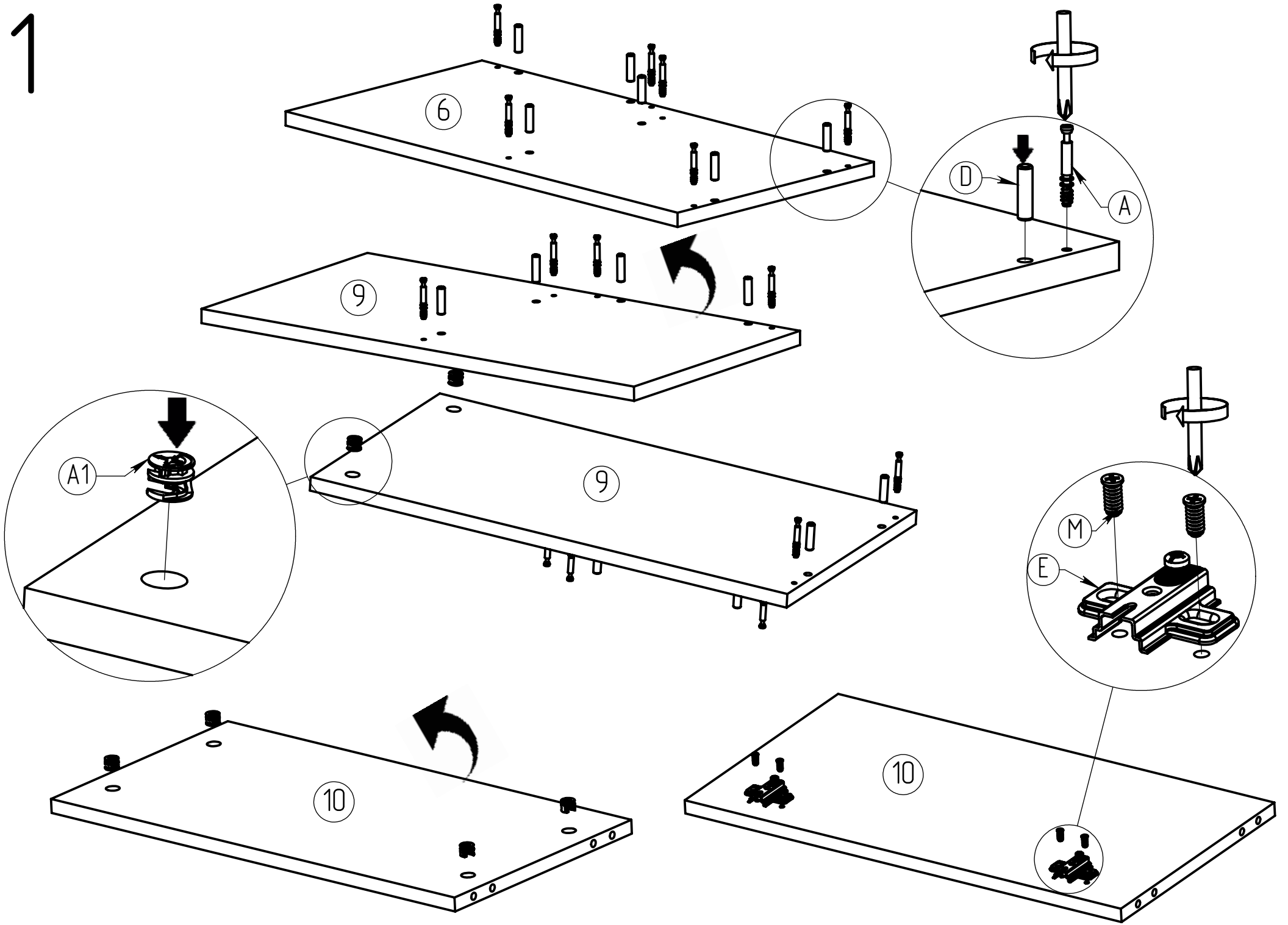
# Computer Table "Standart"



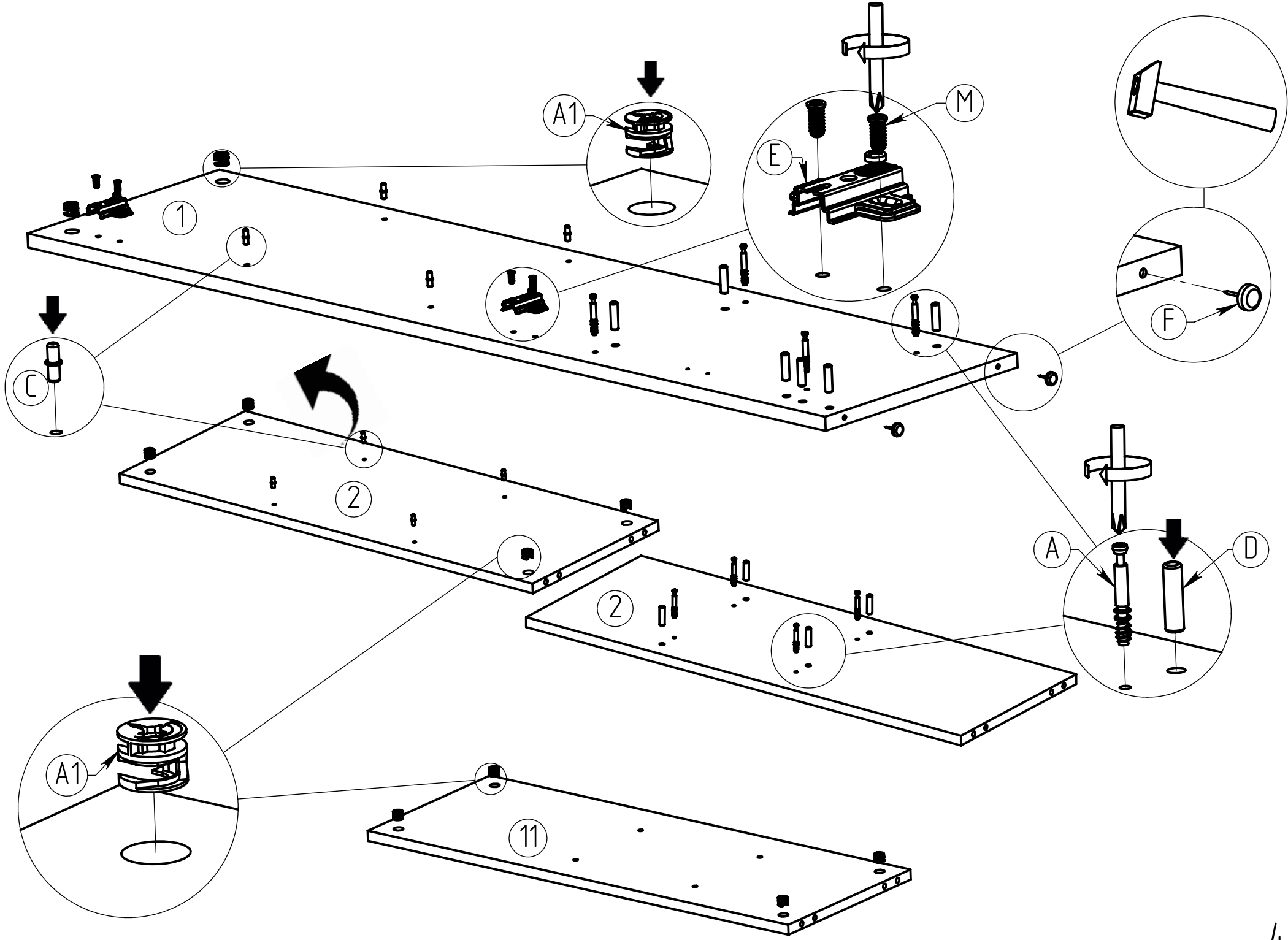


Nº	a*b*c	x	Paket
1	1185x301x16	1	2/2
2	804x301x16	1	1/2
3	365x301x16	1	1/2
4	721x581x16	1	2/2
5	1202x593x16	1	2/2
6	601x301x16	1	1/2
7	267x281x16	2	2/2
8	301x285x16	1	1/2
9	585x301x16	1	1/2
10	568x301x16	1	1/2
11	804x301x16	1	1/2
12	721x285x16	1	1/2
13	81x568x16	1	2/2
14	818x298x16	1	2/2
15	297x597x16	1	2/2
16	825x295x2,5	1	2/2
17	290x595x2,5	1	2/2
	 	1	1/2

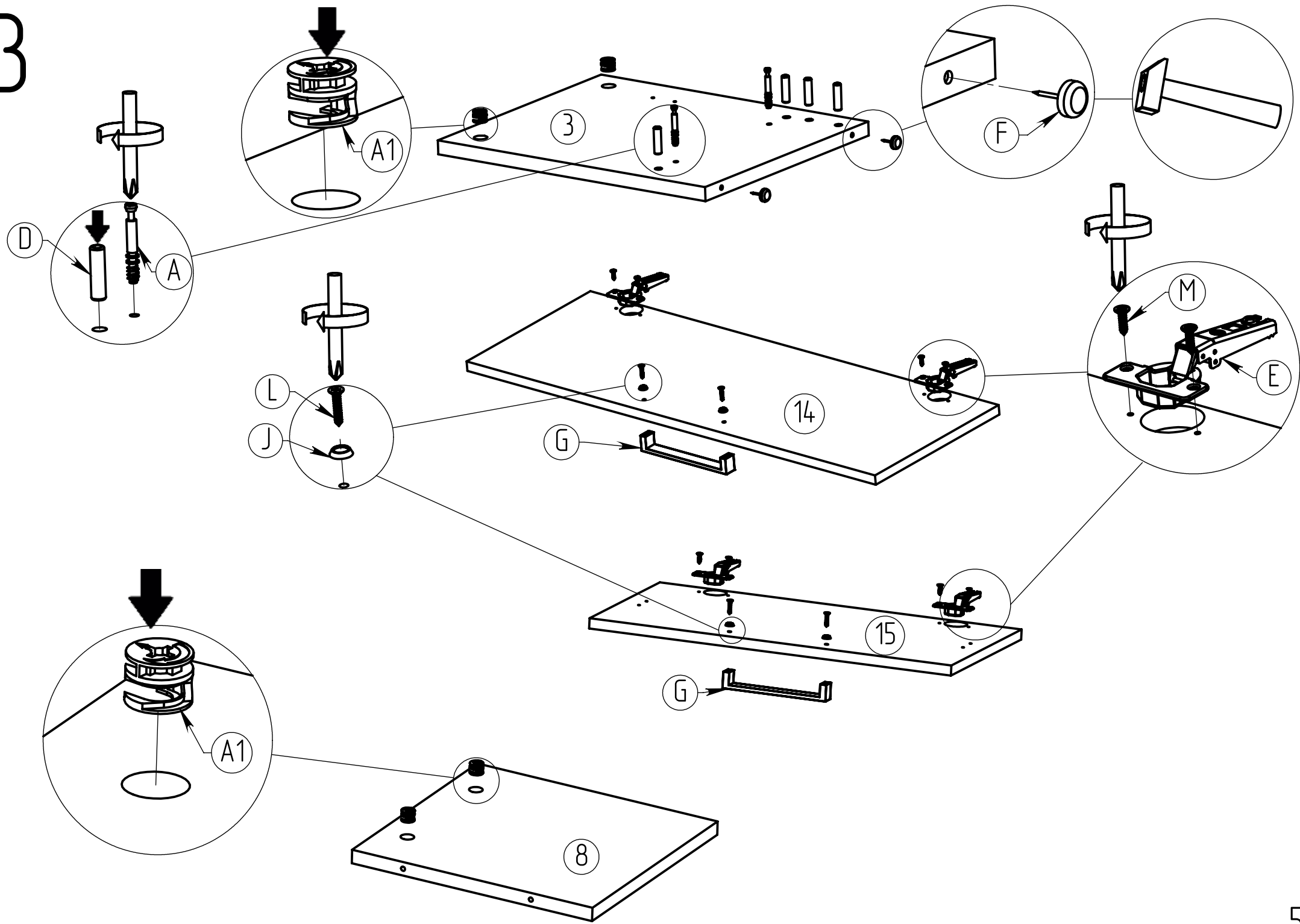
1

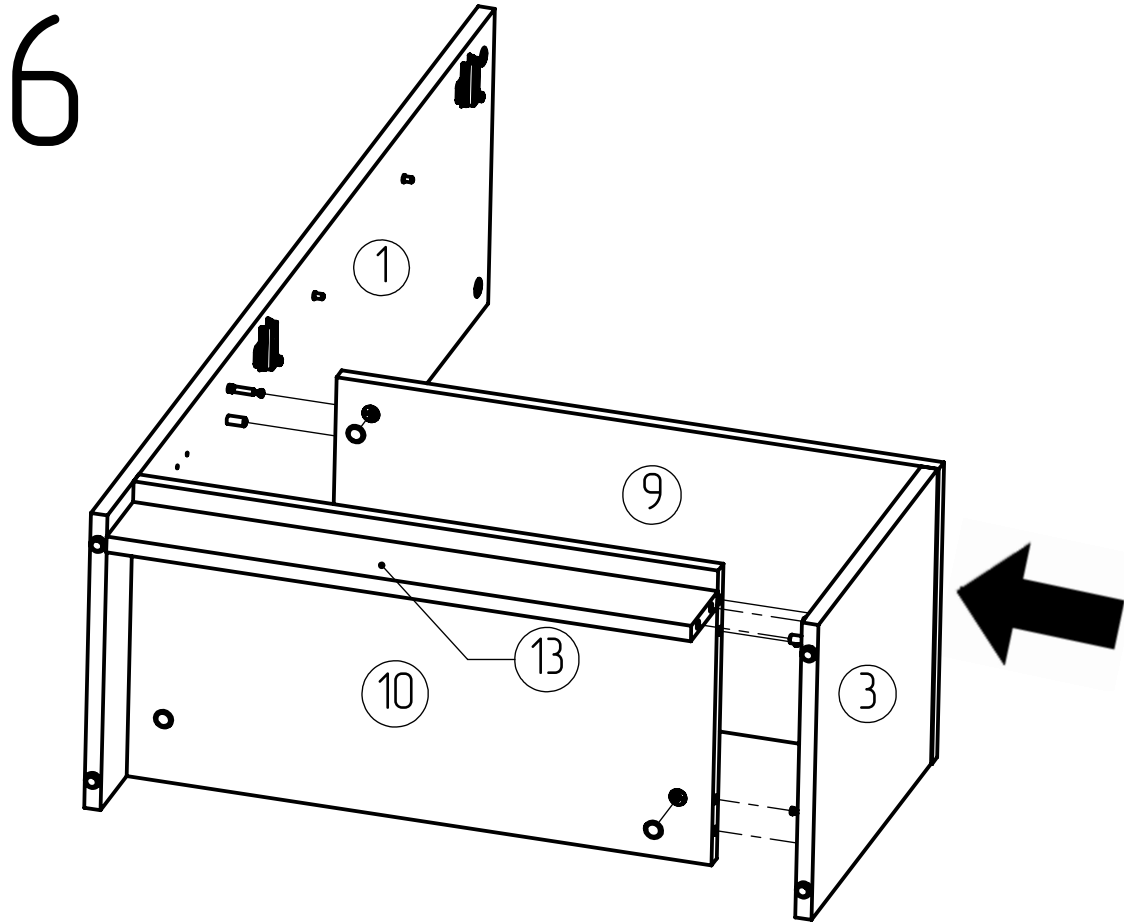
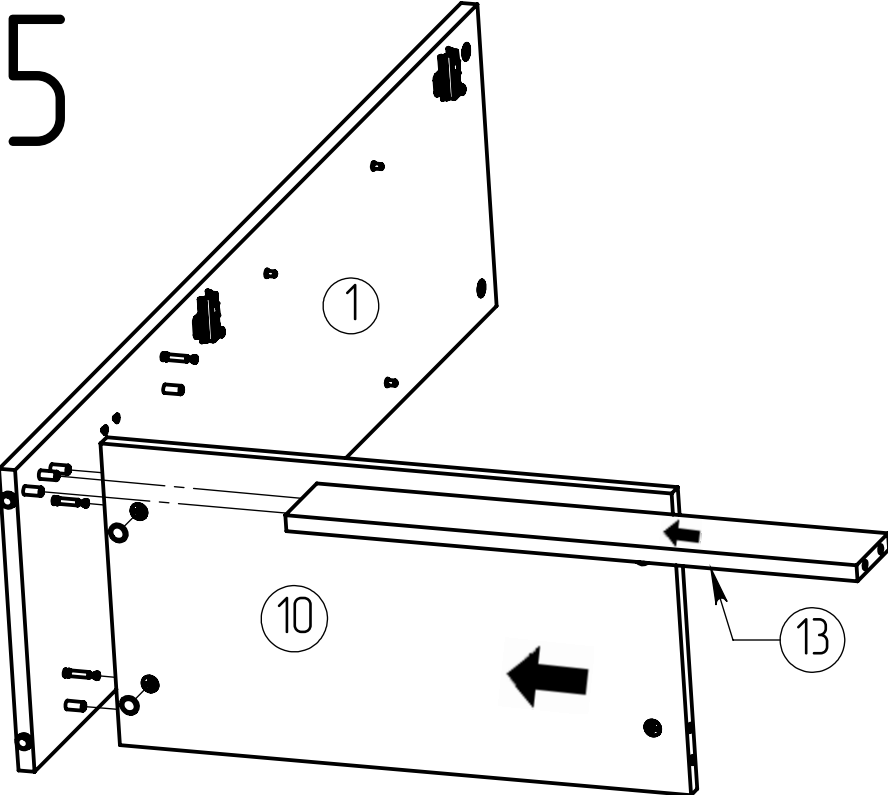
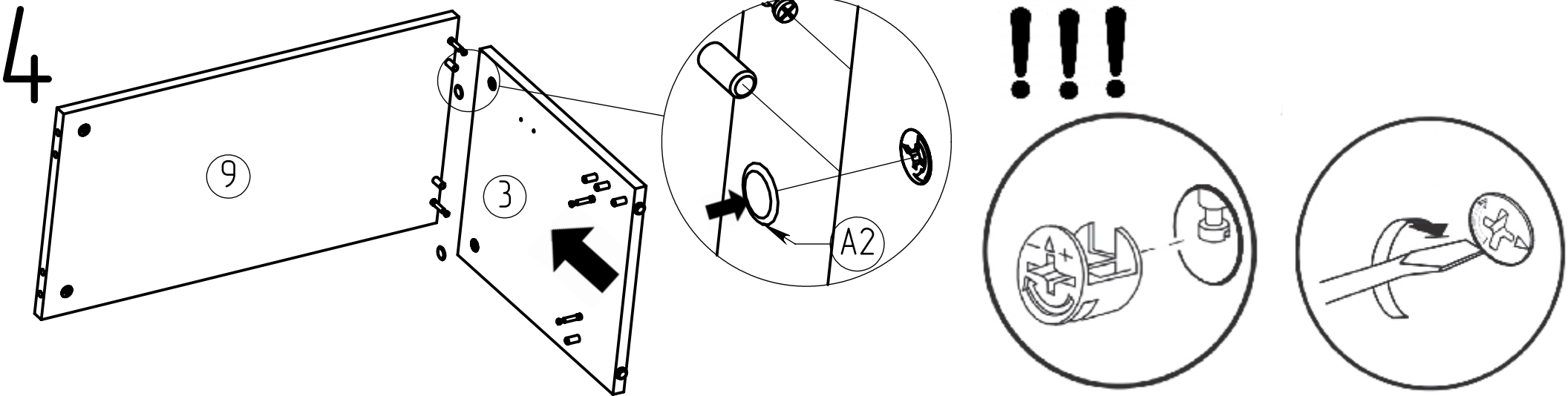


2

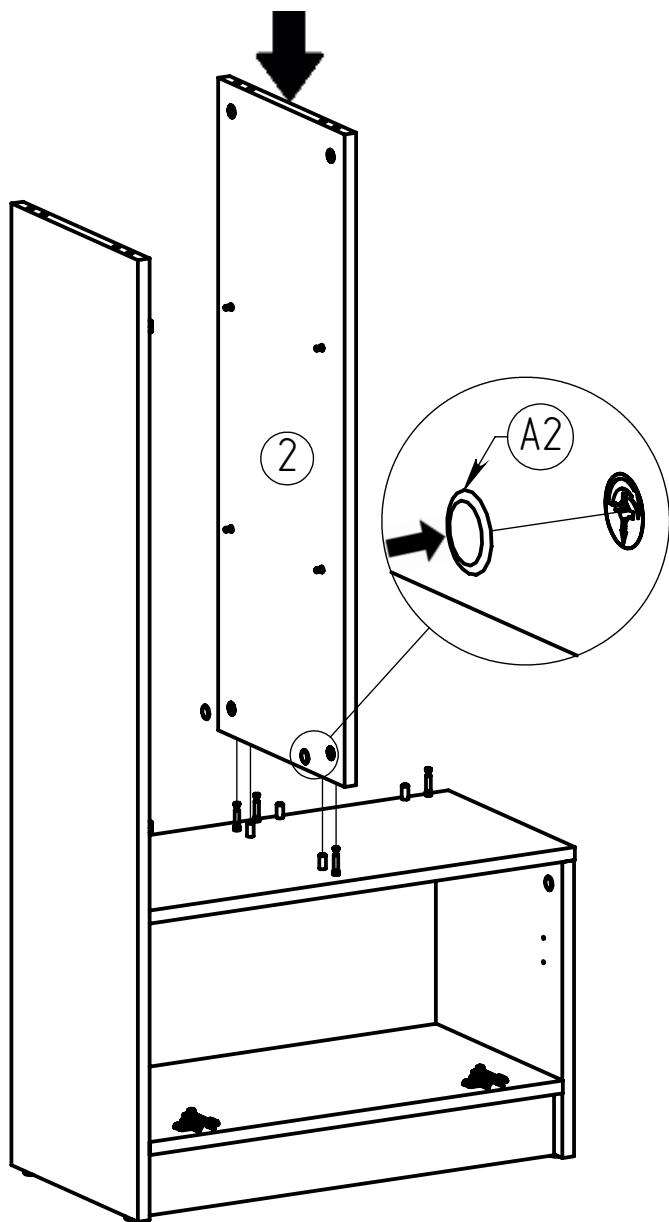


3

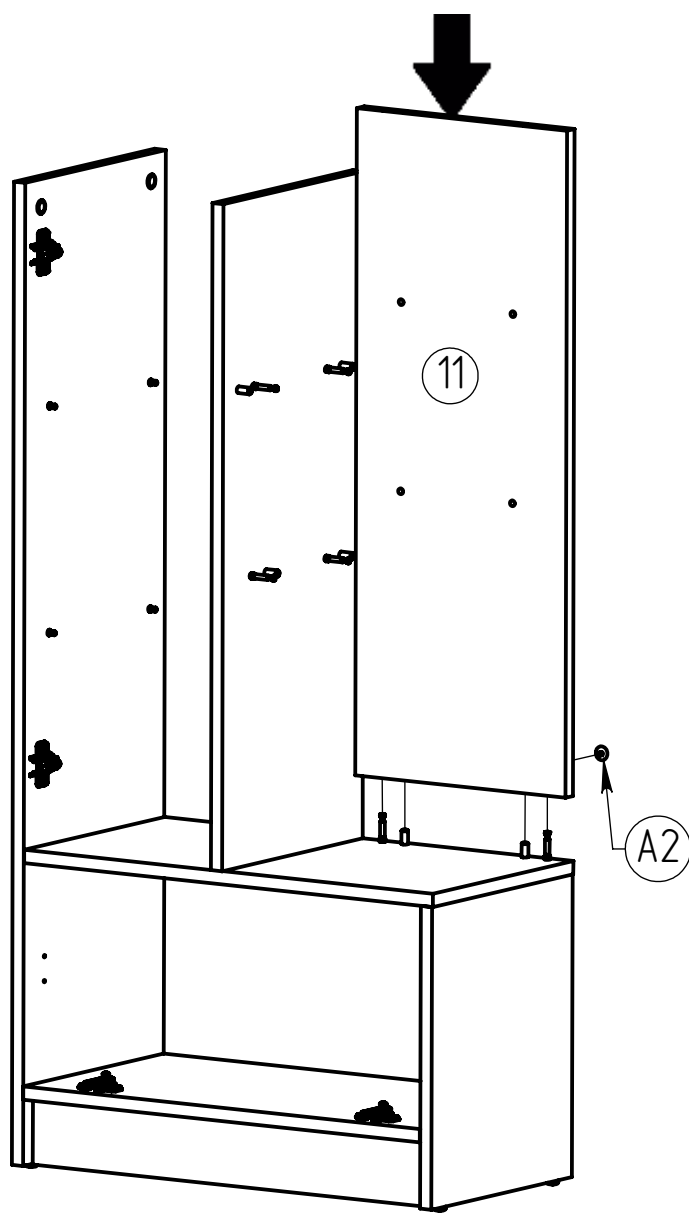




7

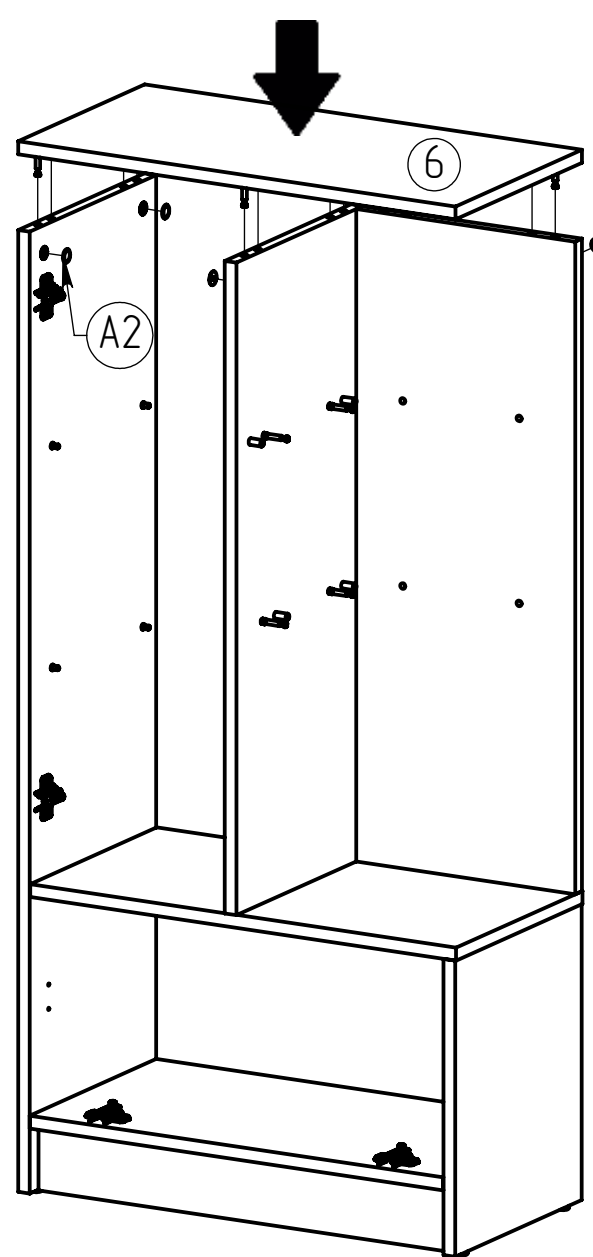
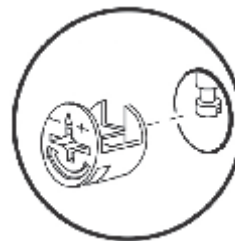


8



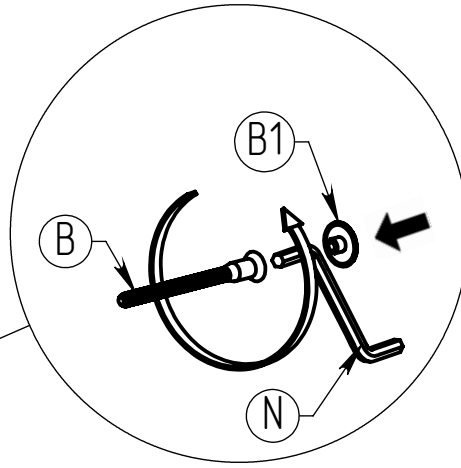
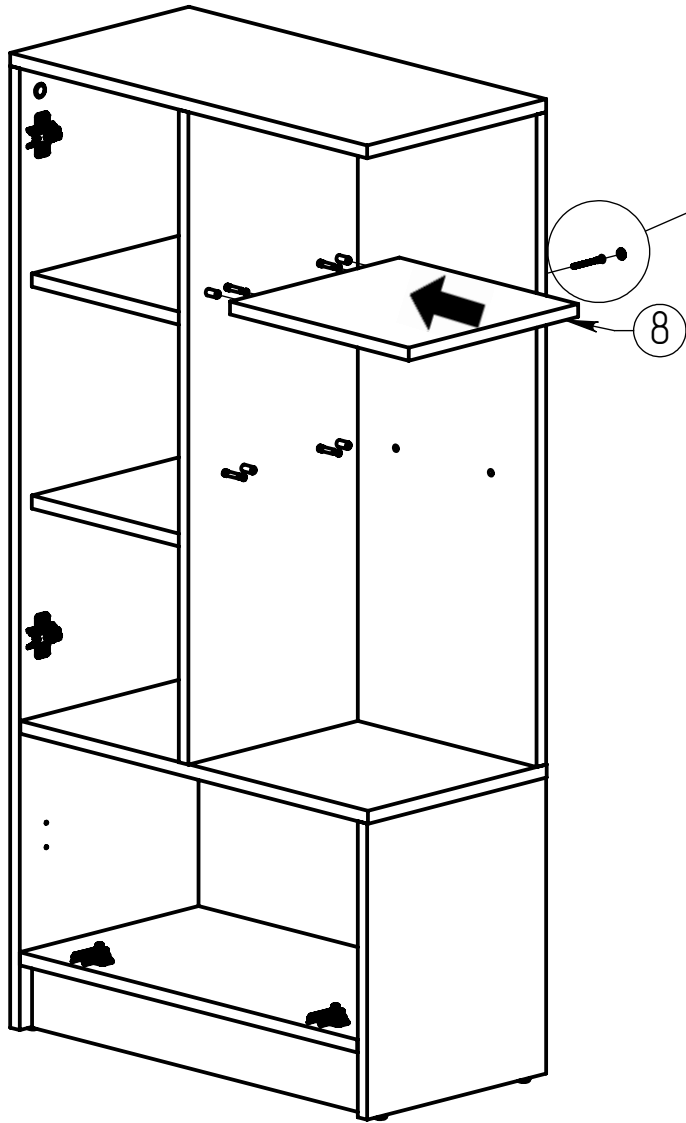
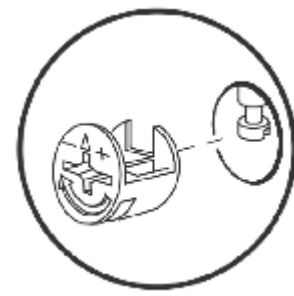
9

!!!

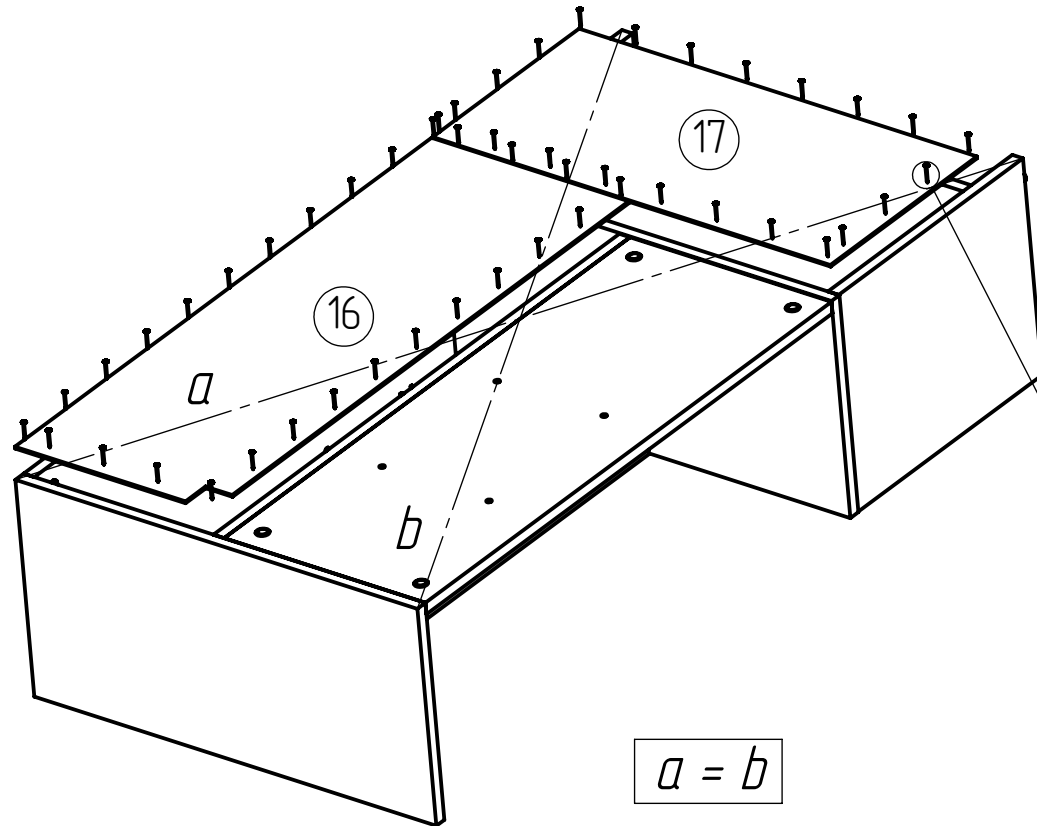


# 10

# !!!



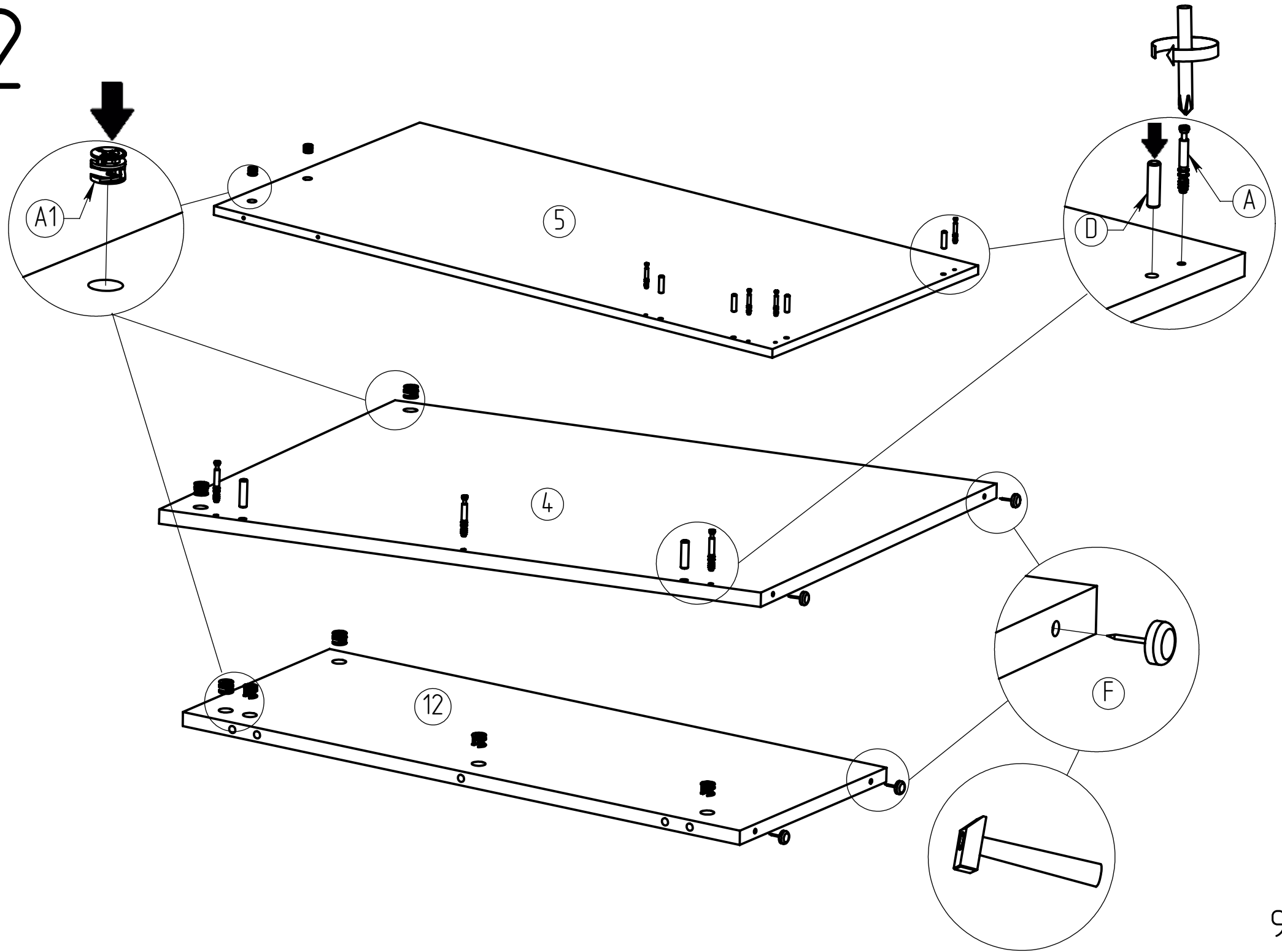
# 11



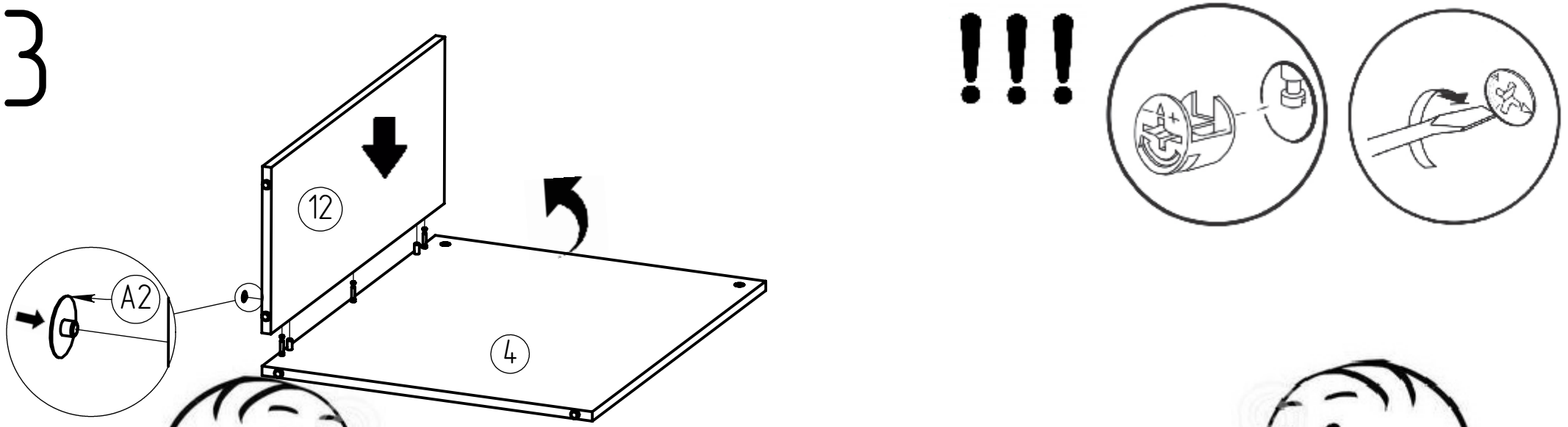
$a = b$



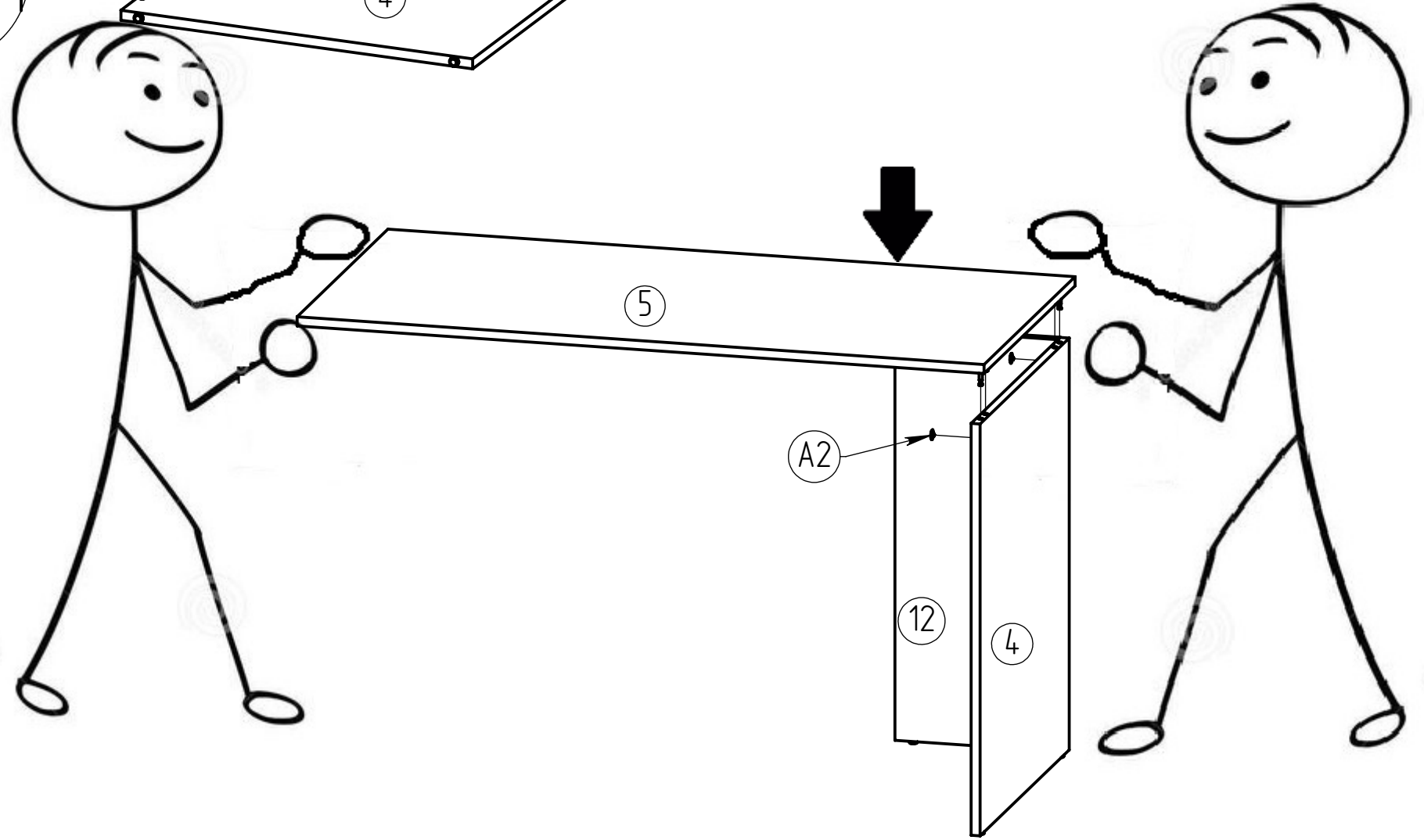
12



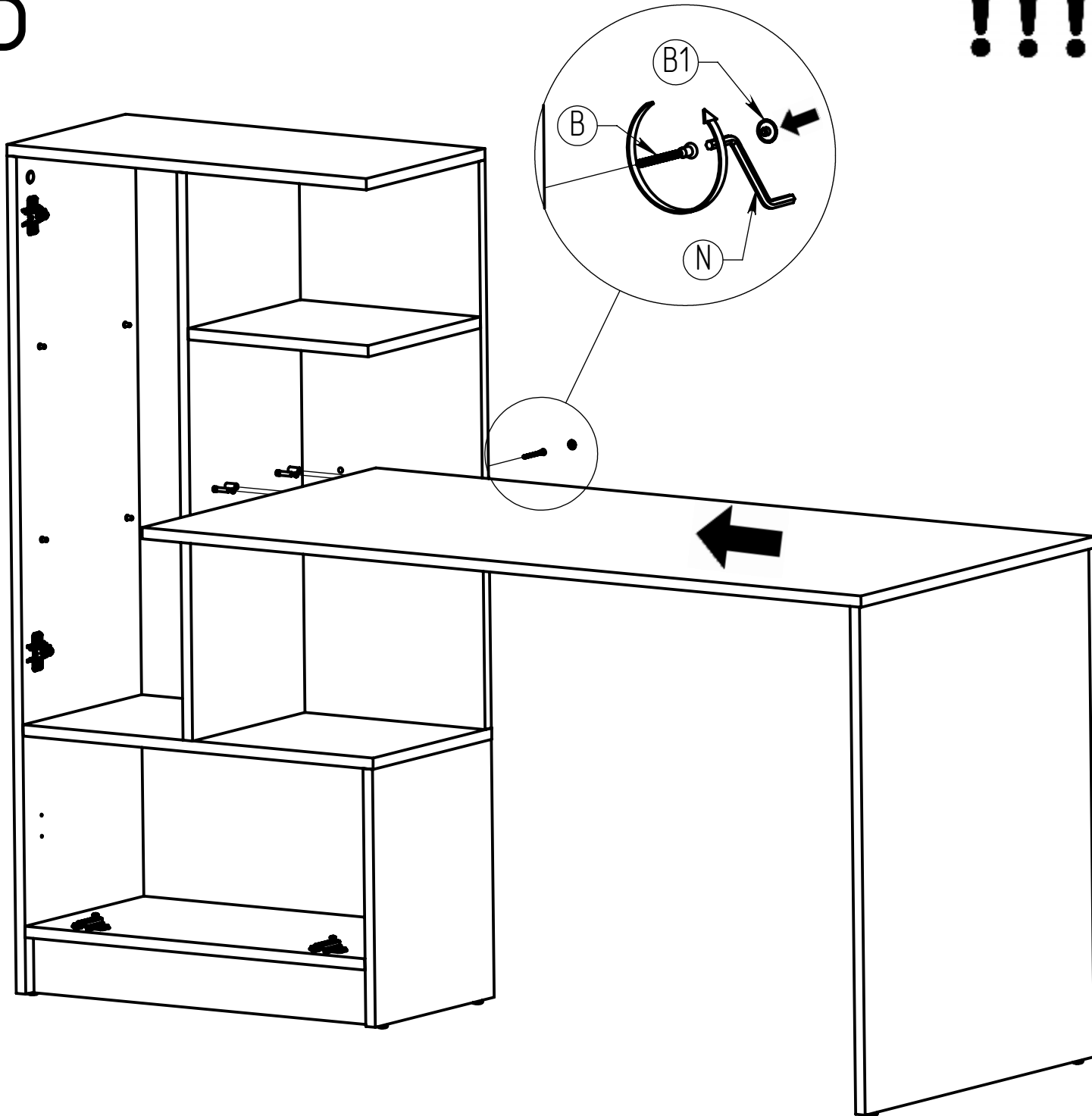
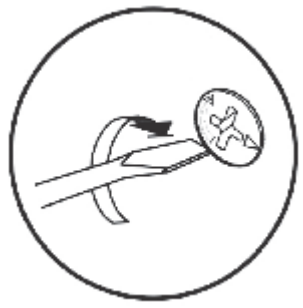
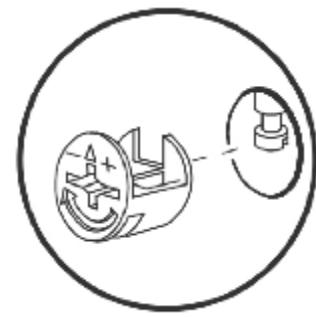
13



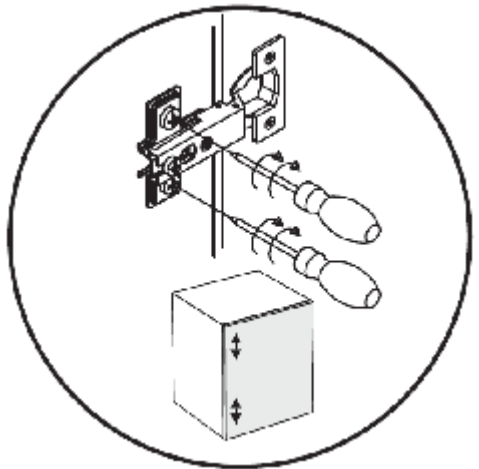
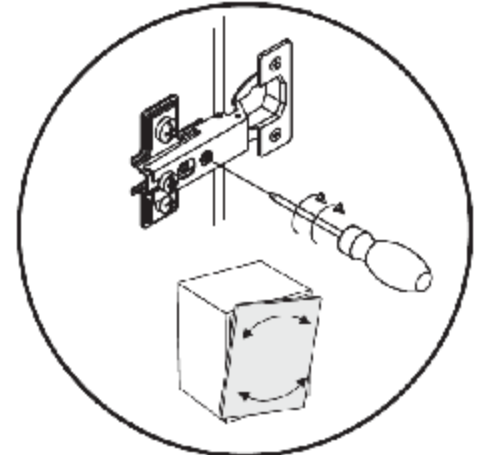
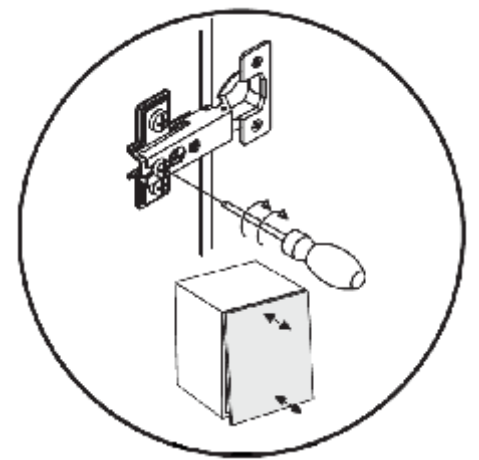
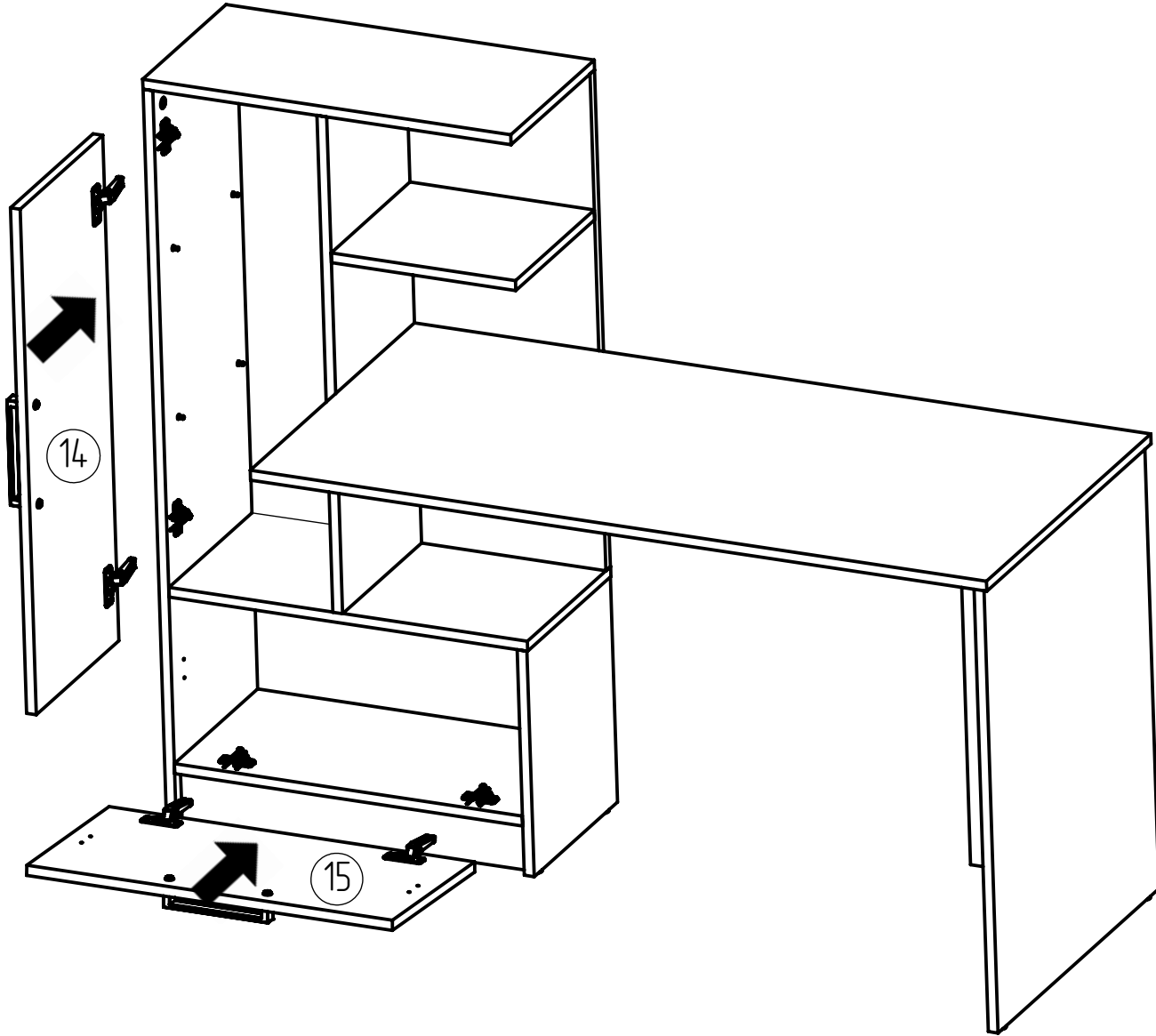
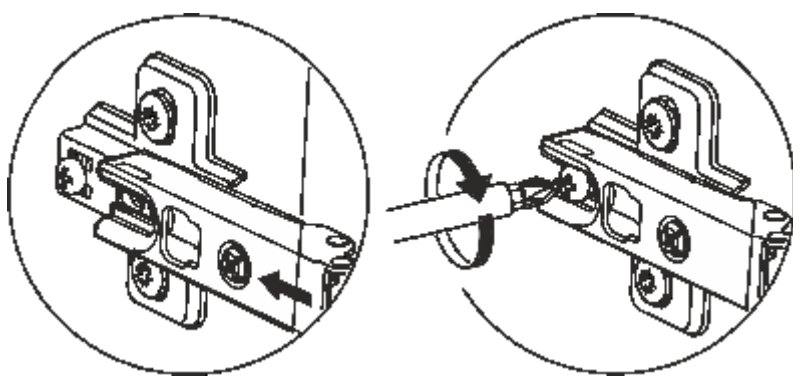
14



15



16



17

