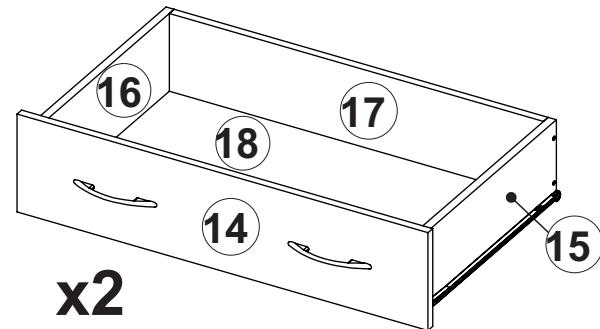
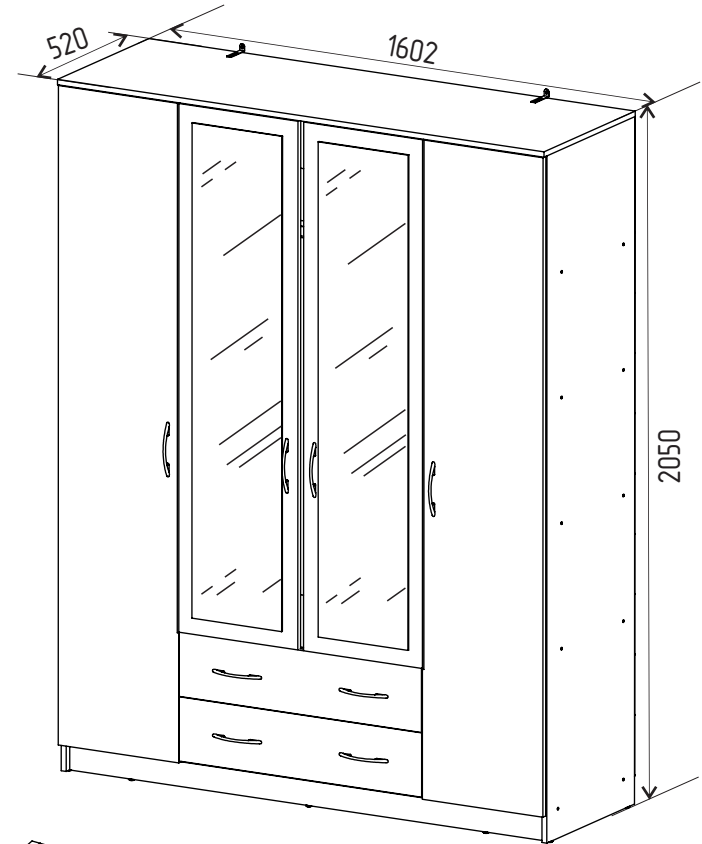




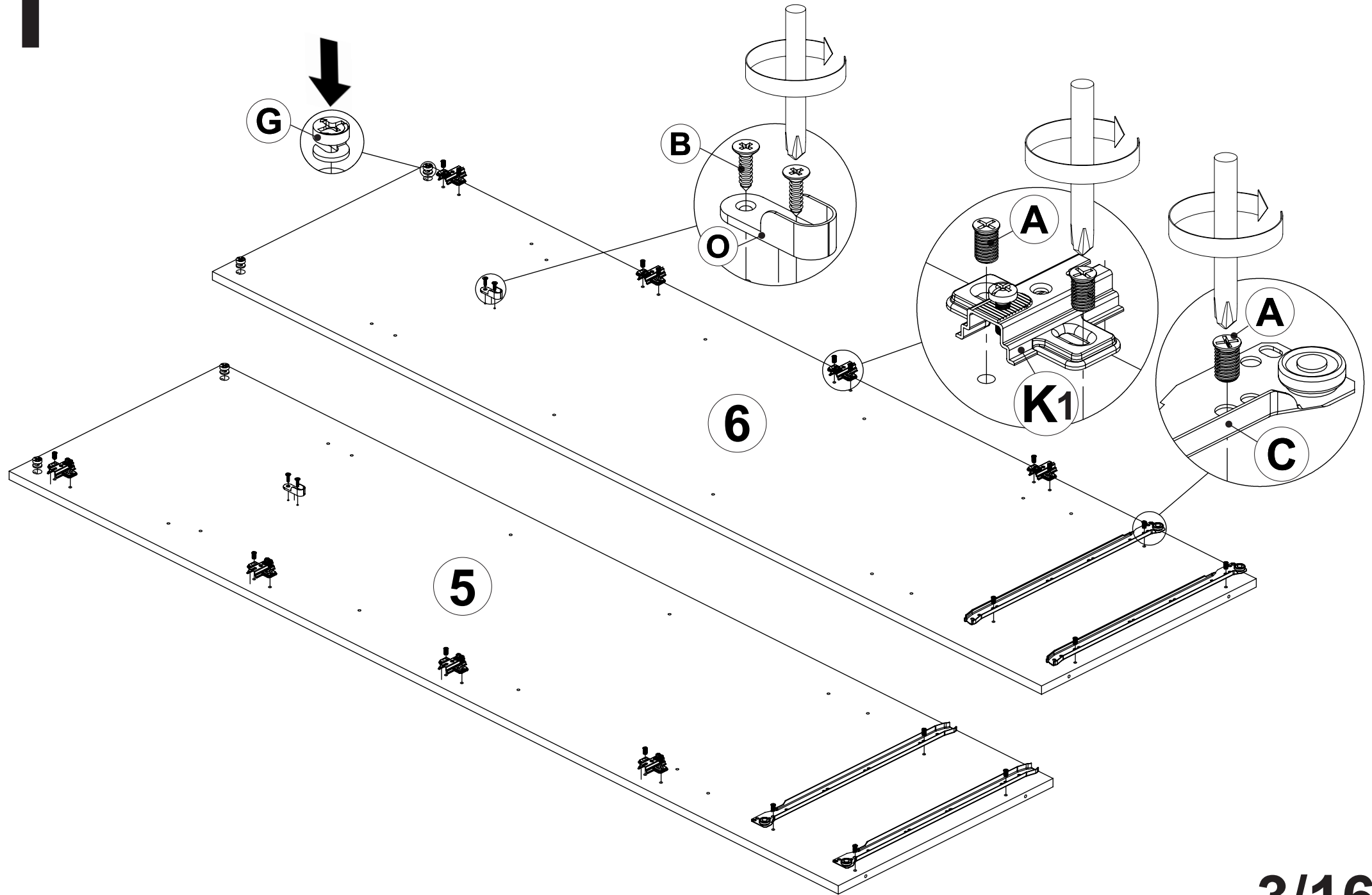
Simple 4D/2Dr



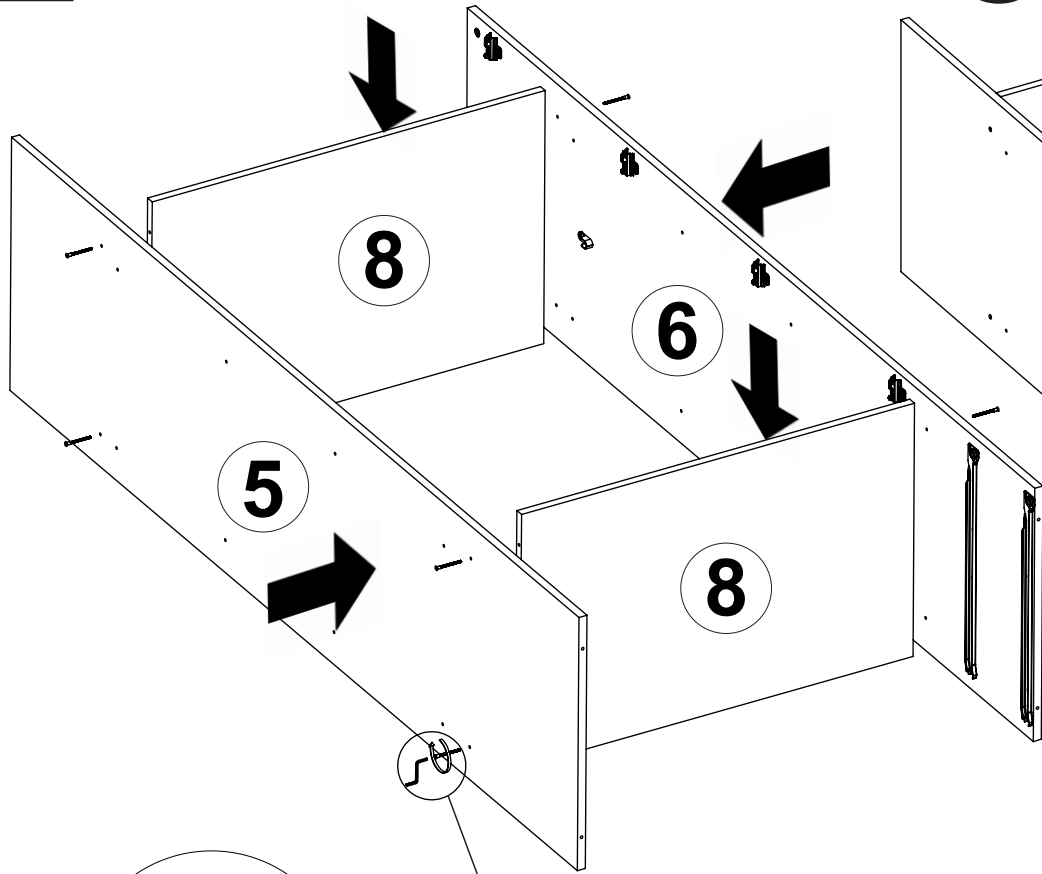
A  x40	B  4x16 x46	C  x2
D  3,5x16 x26	E  x14	F  x7
G  x16	H  x60	I  x60
J  x16	K  x8	K1  x8
	L 4x20  x16	
M  40g	N 8x80  x2	O  x2
P  x8	Q  x2	R  x10
S  S1 S2 22 x1	T  23 x1	

①	2031x501x16	1
②	2031x501x16	1
③	1568x501x16	1
④	1603x521x16	1
⑤	1936x501x16	1
⑥	1936x501x16	1
⑦	376x481x16	8
⑧	784x501x16	2
⑨	79x1568x16	1
⑩	1948x397x16	1
⑪	1948x397x16	1
⑫	1564x397x16	1
⑬	1564x397x16	1
⑭	190x799x16	2
⑮	451x151x16	2
⑯	451x151x16	2
⑰	727x151x16	2
⑱	455x757x2,5	2
⑲	1964x398x2,5	2
⑳	1964x400x2,5	2
㉑	1463x296x4	2
㉒	⑤ L=298 ⑥ L1=1241 ⑦ L=359	1
㉓	L1=780	1

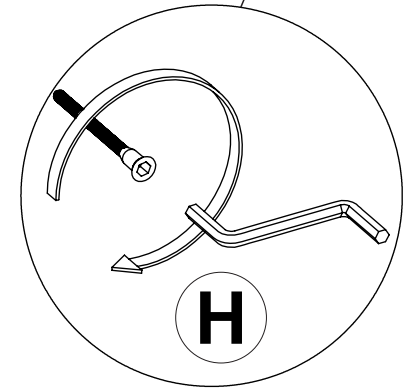
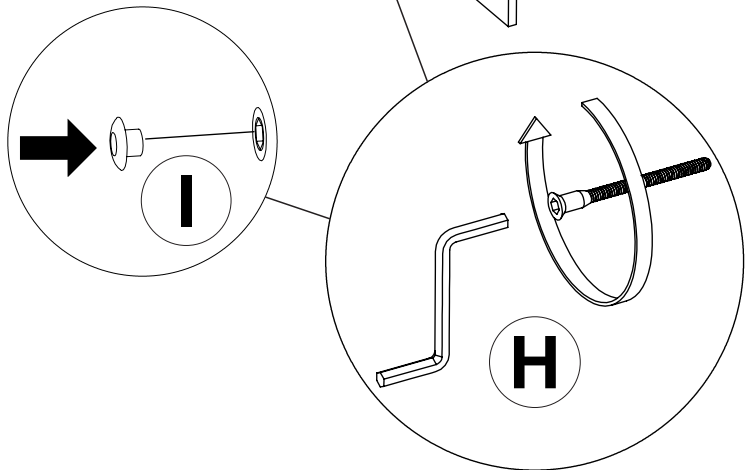
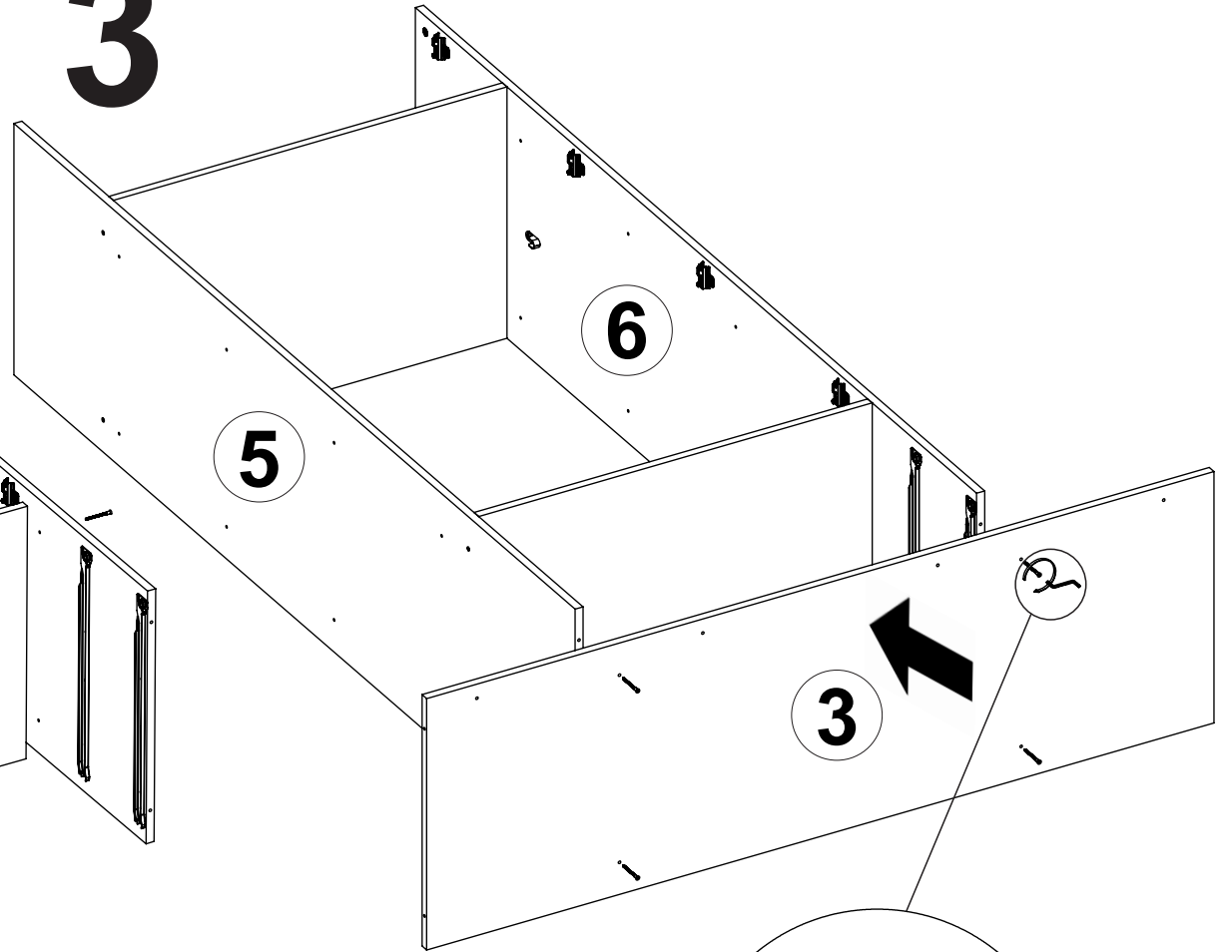
1



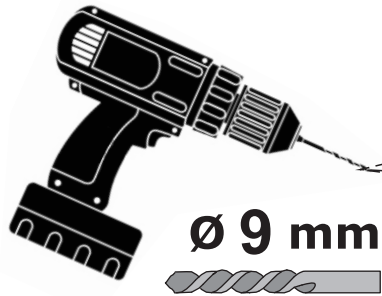
2



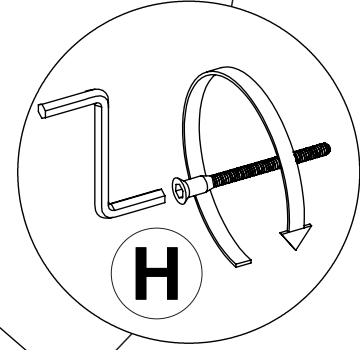
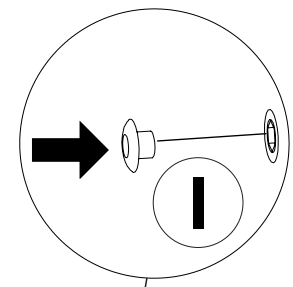
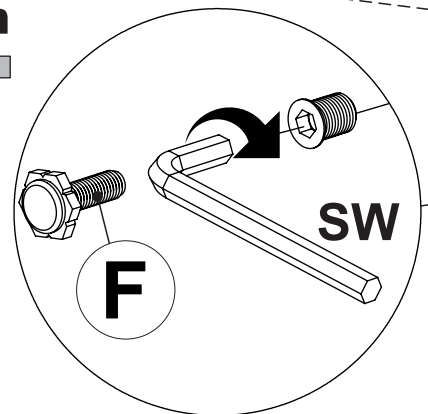
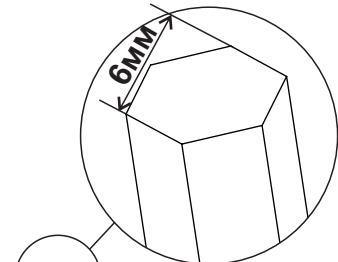
3



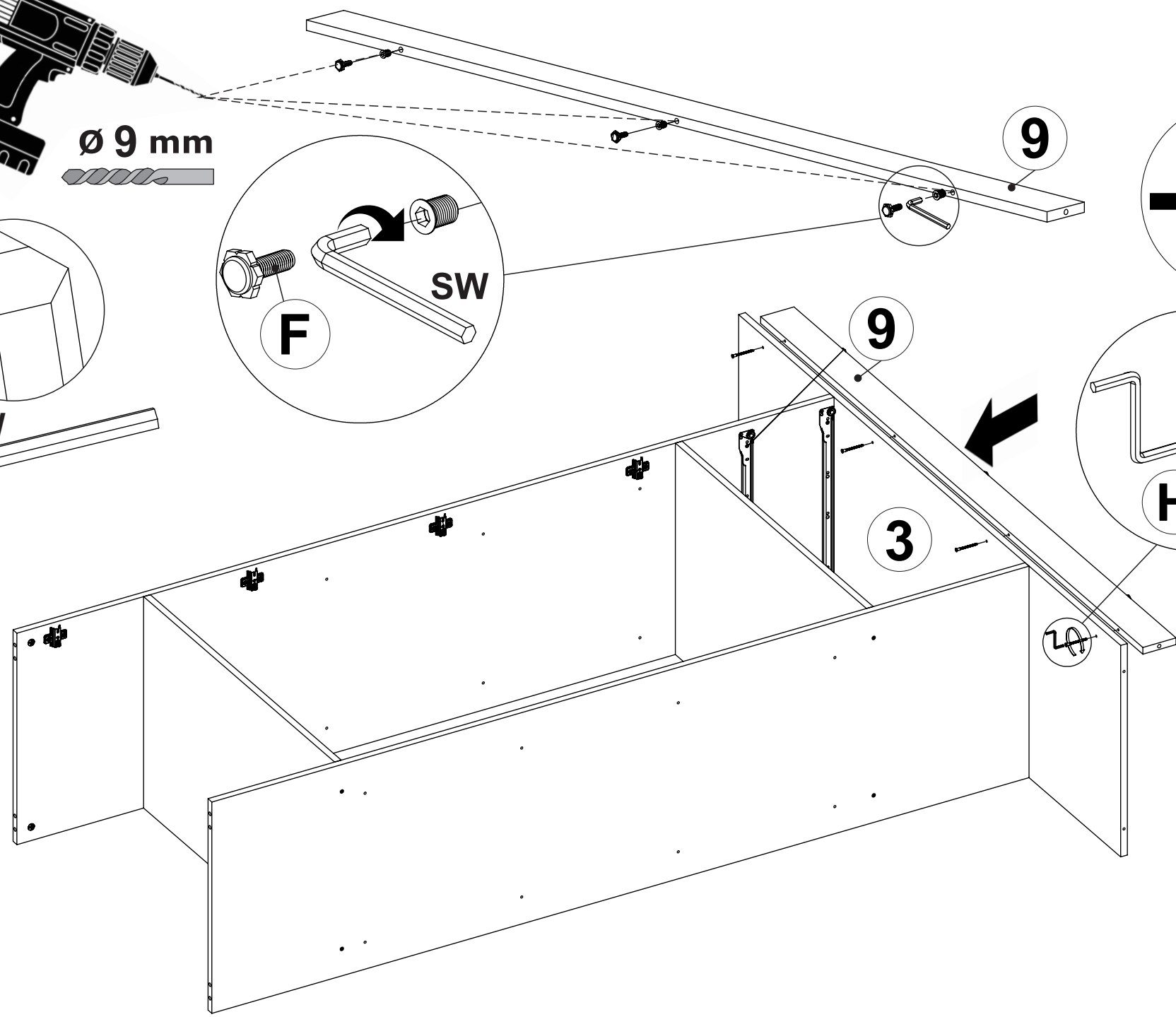
4



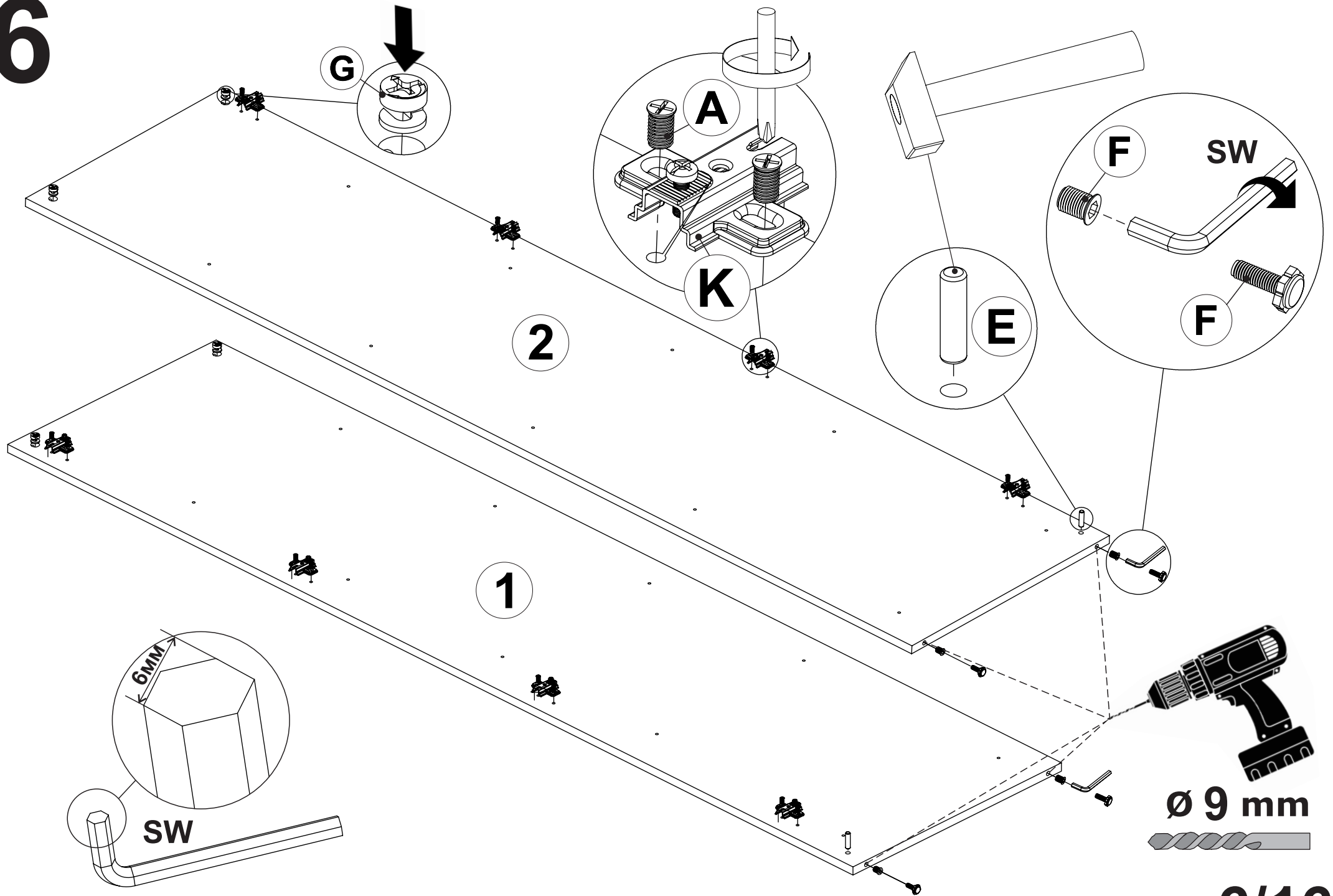
$\varnothing 9$ mm



5



6

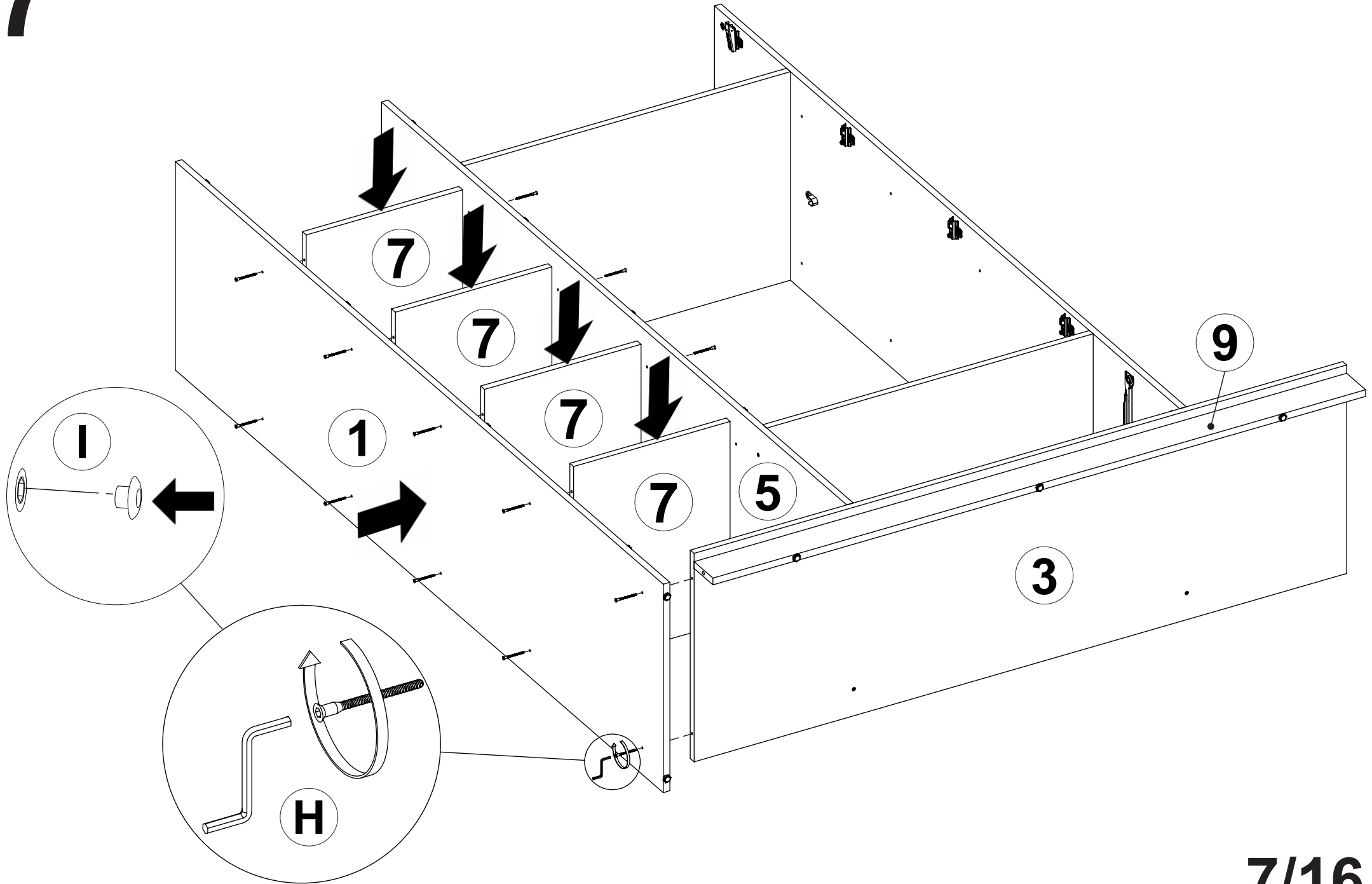


Ø 9 mm

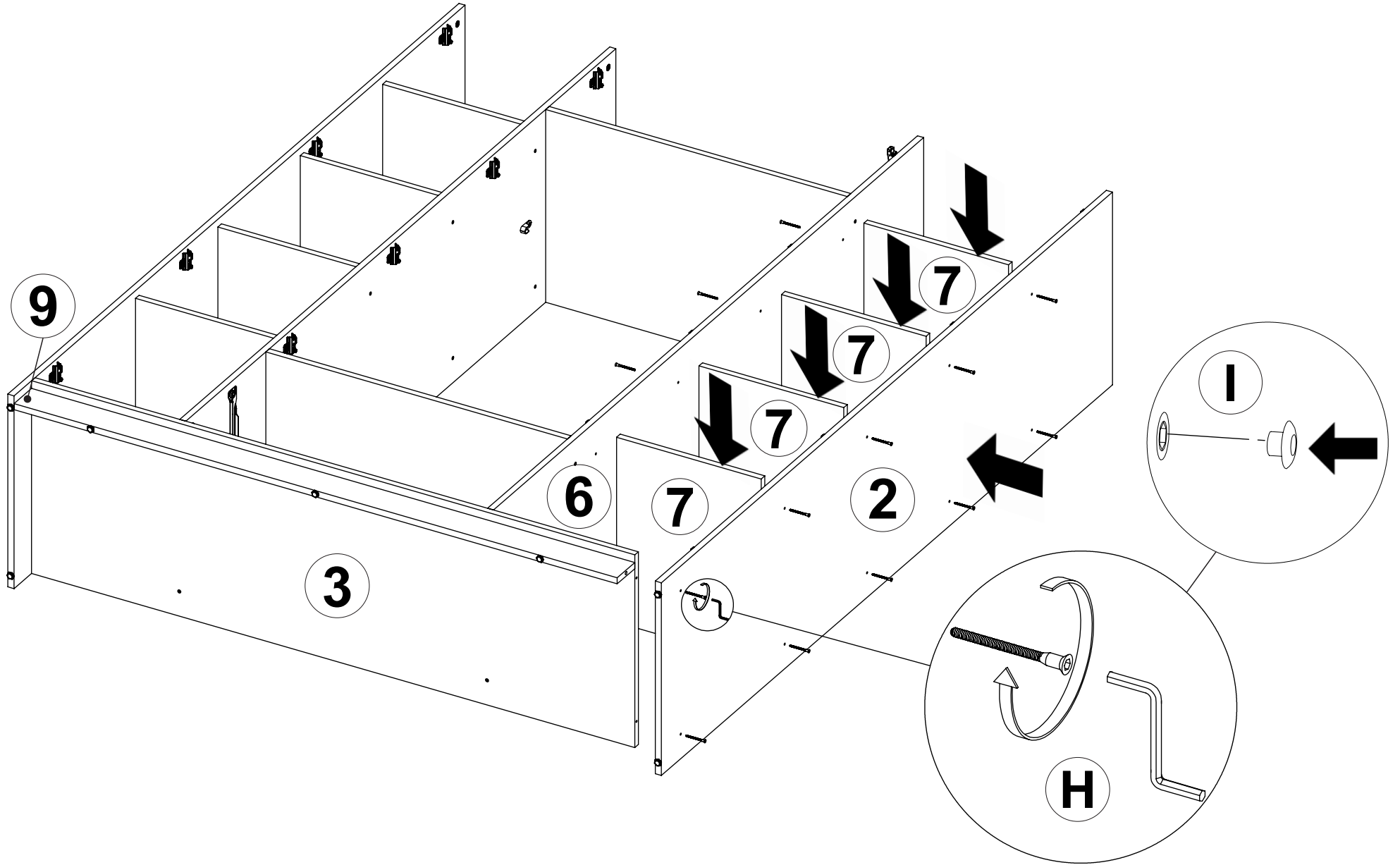


6/16

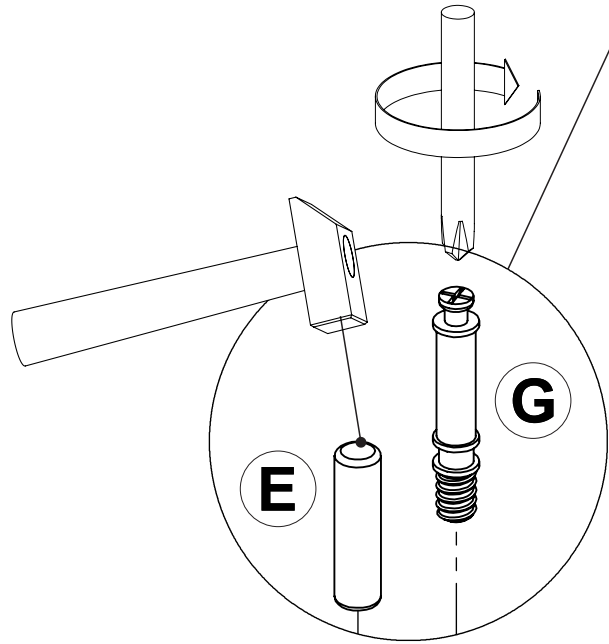
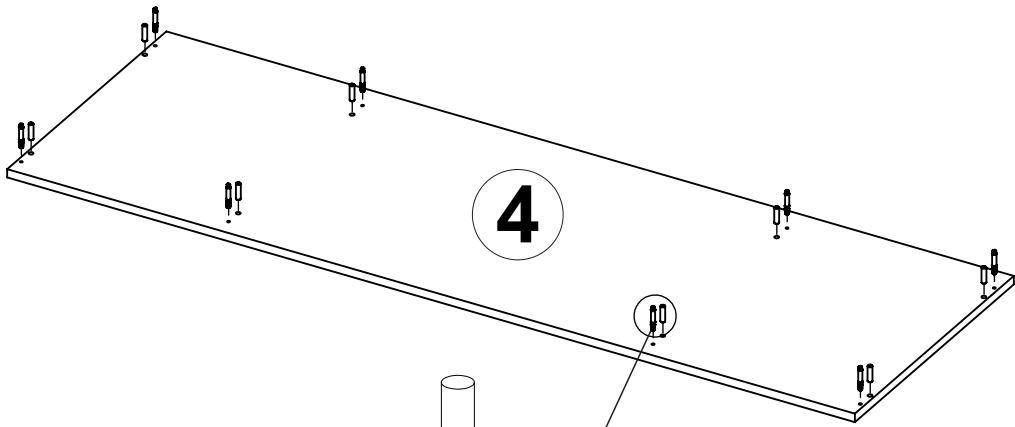
7



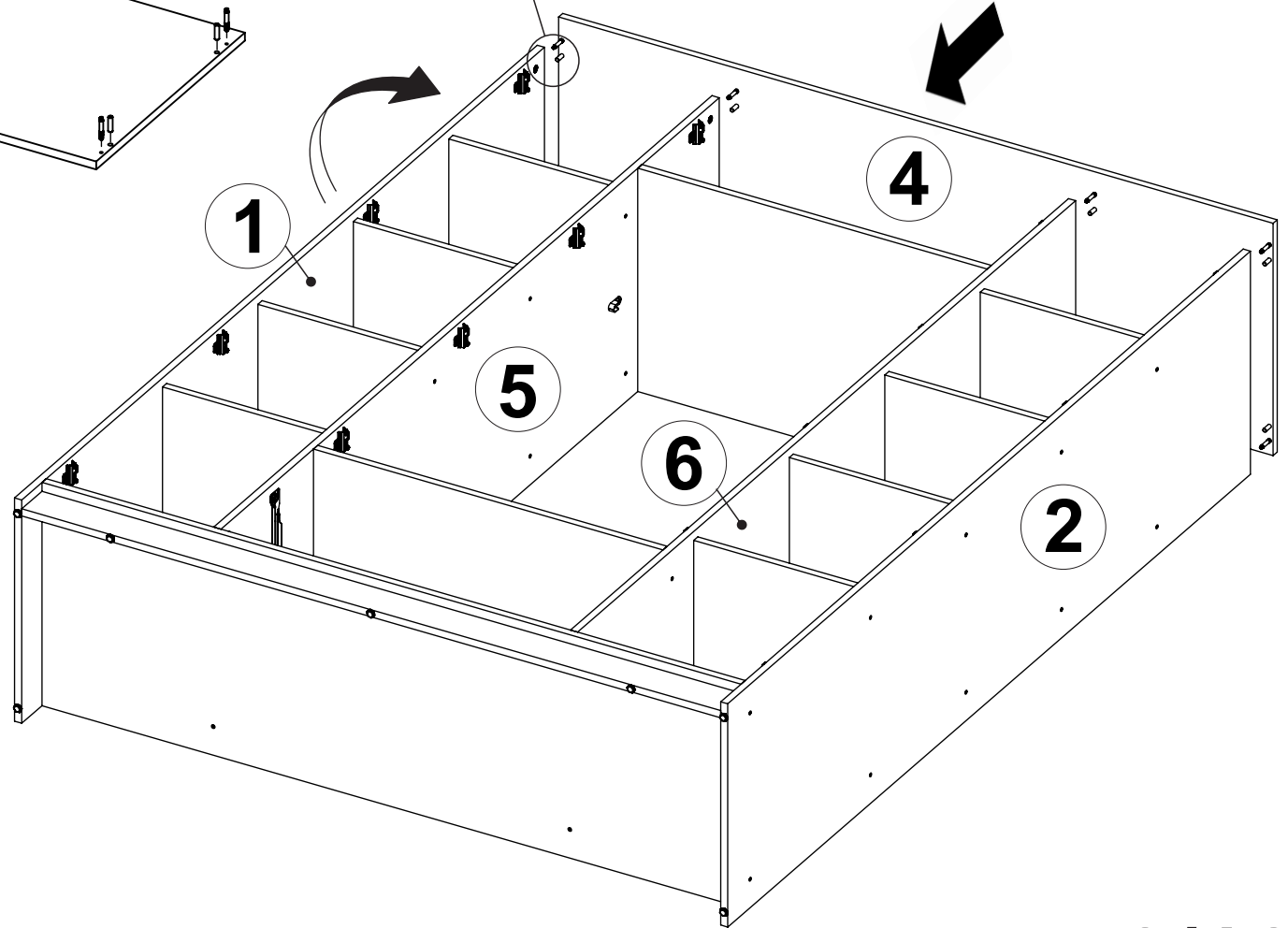
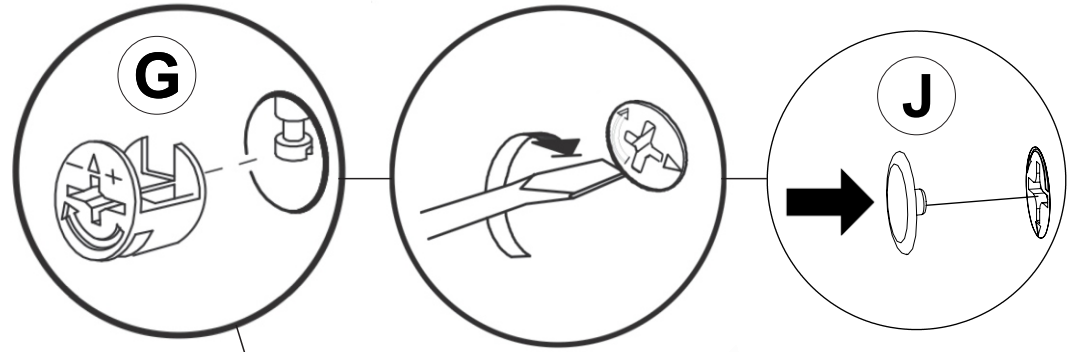
8



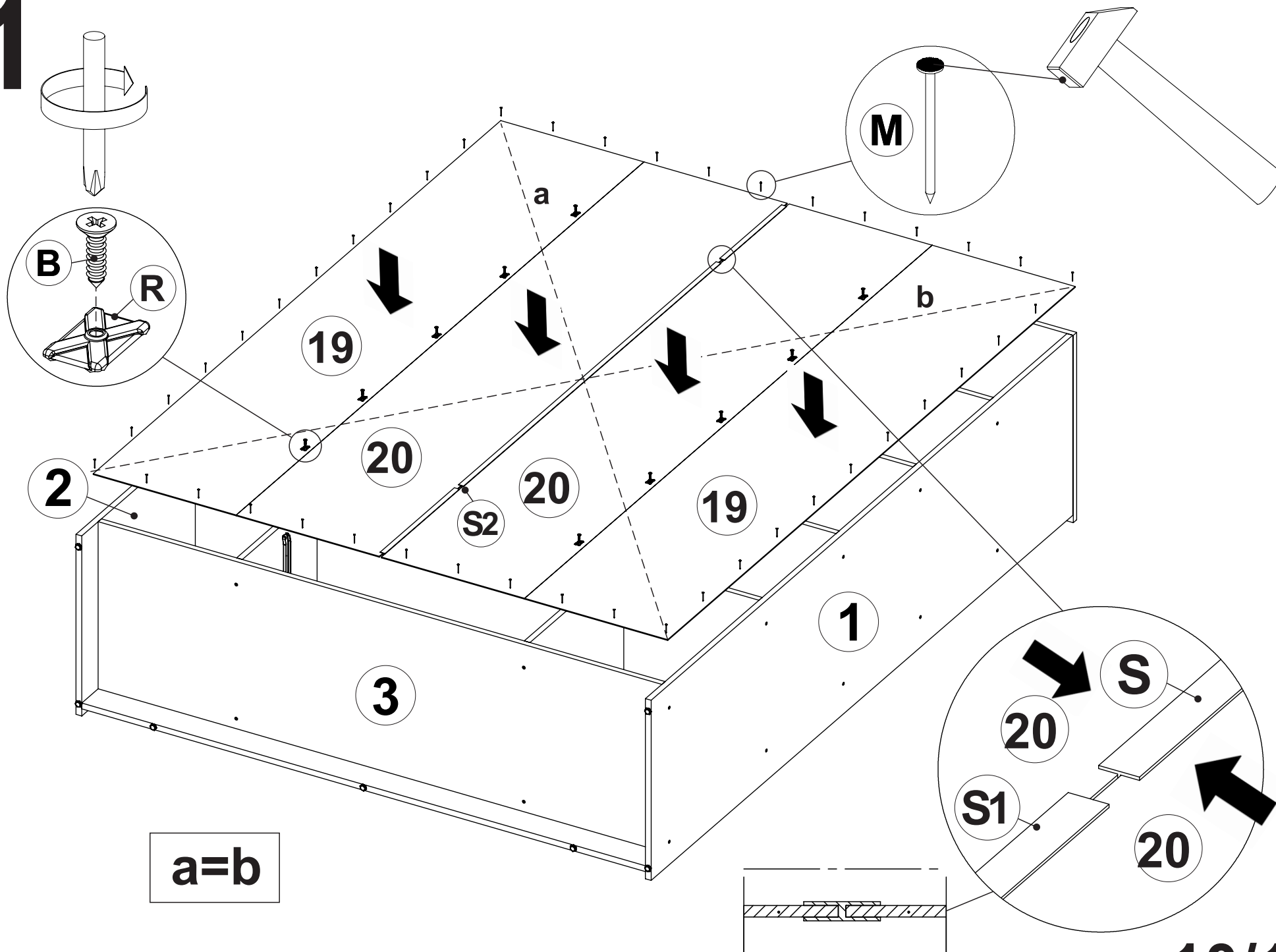
9



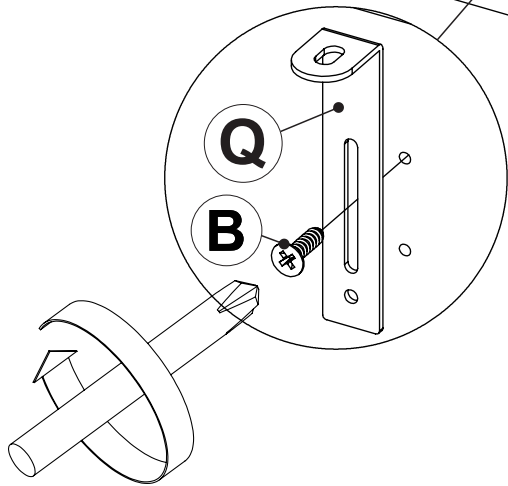
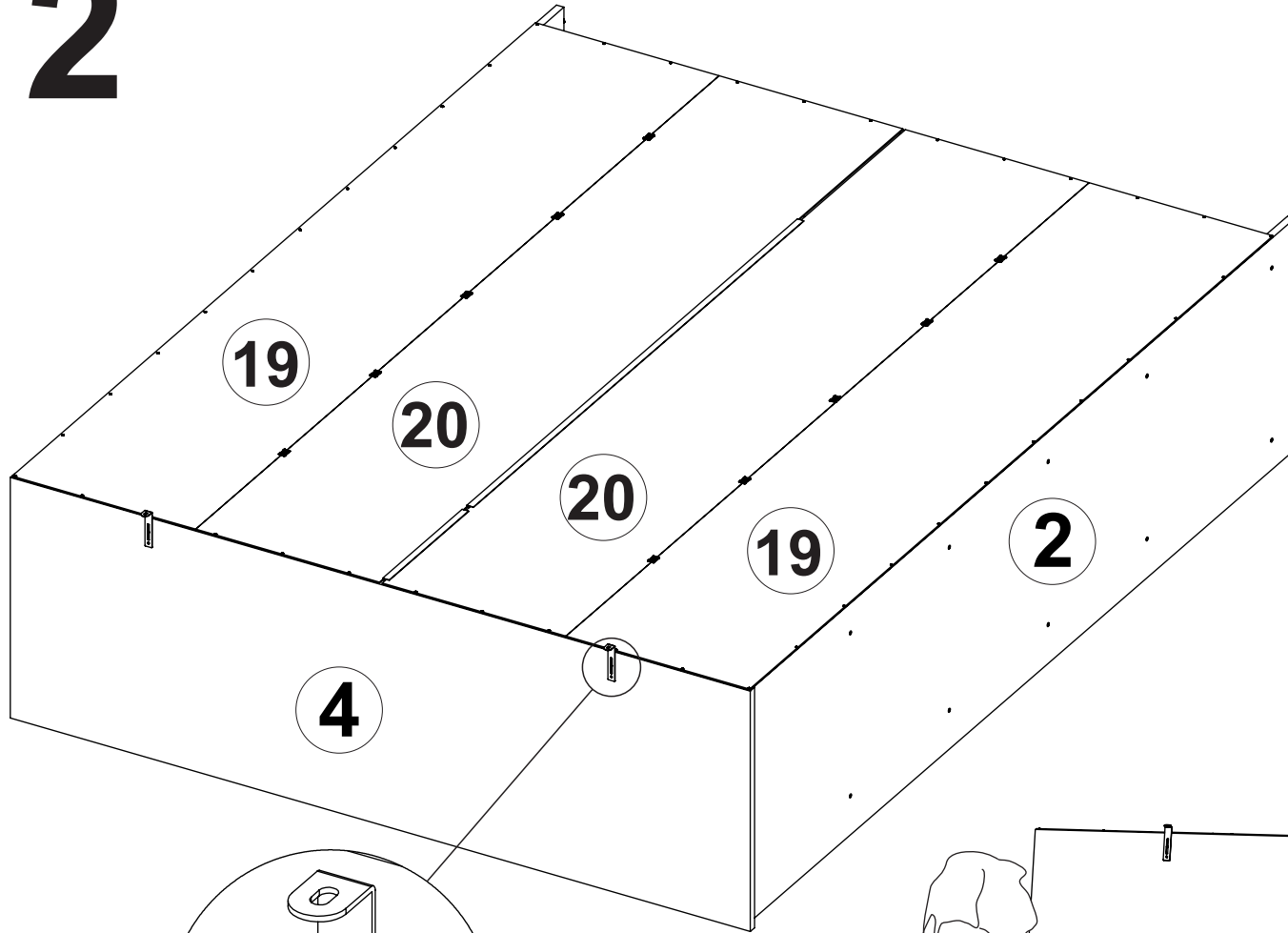
10



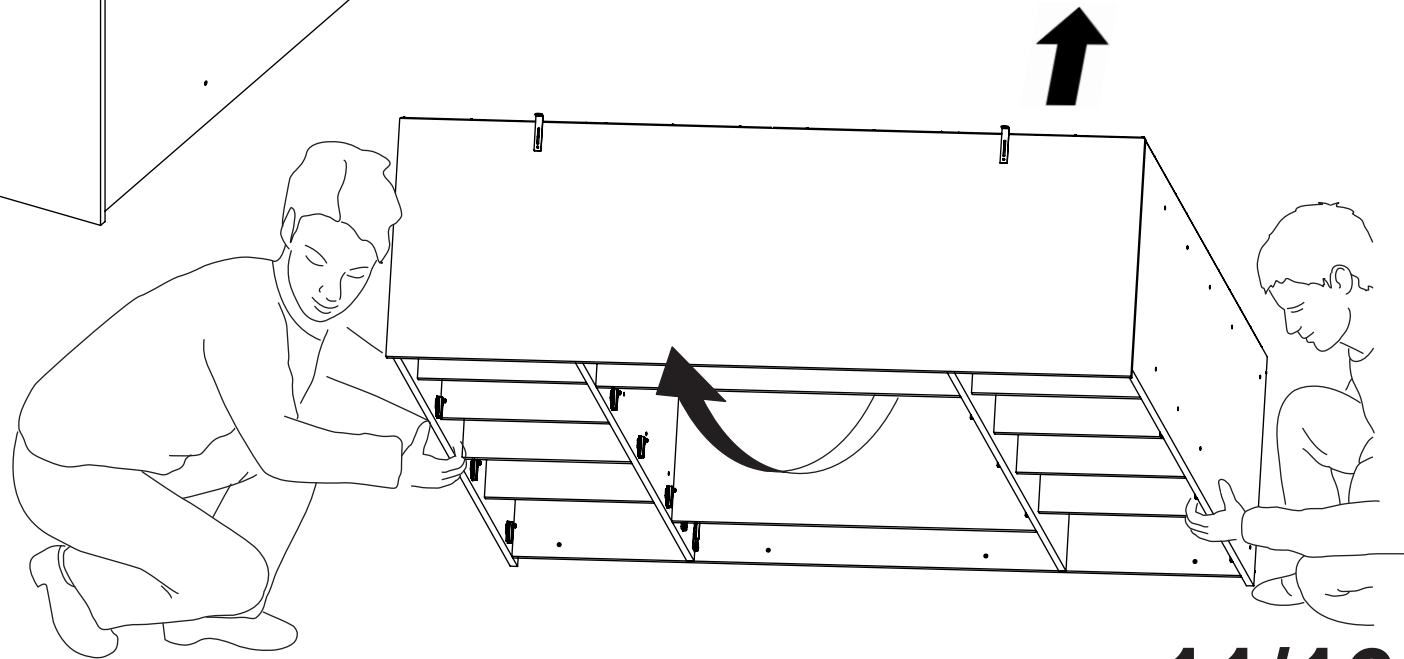
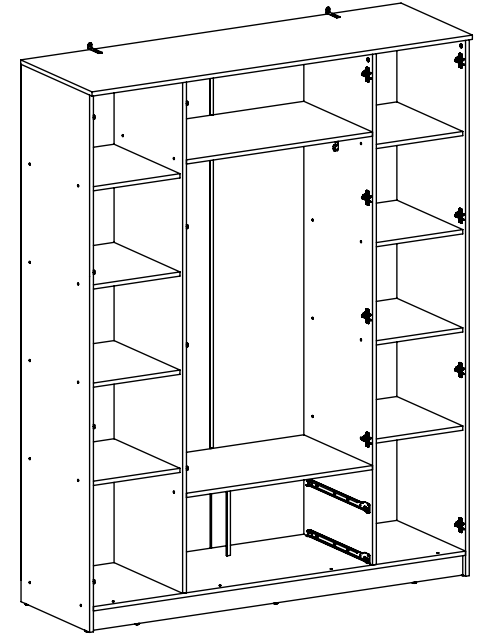
11



12

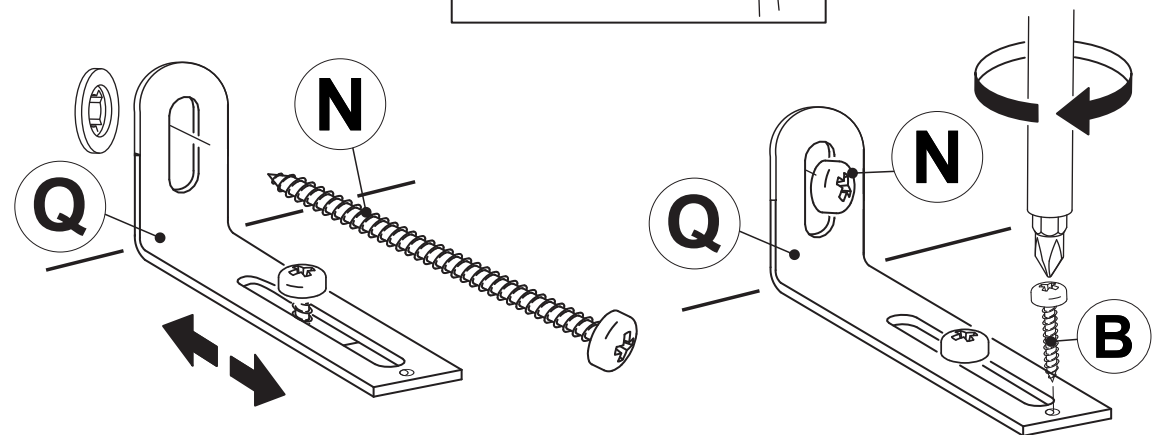
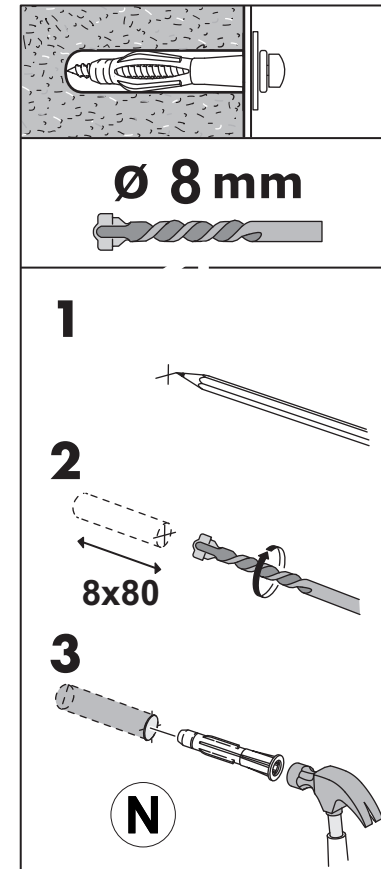
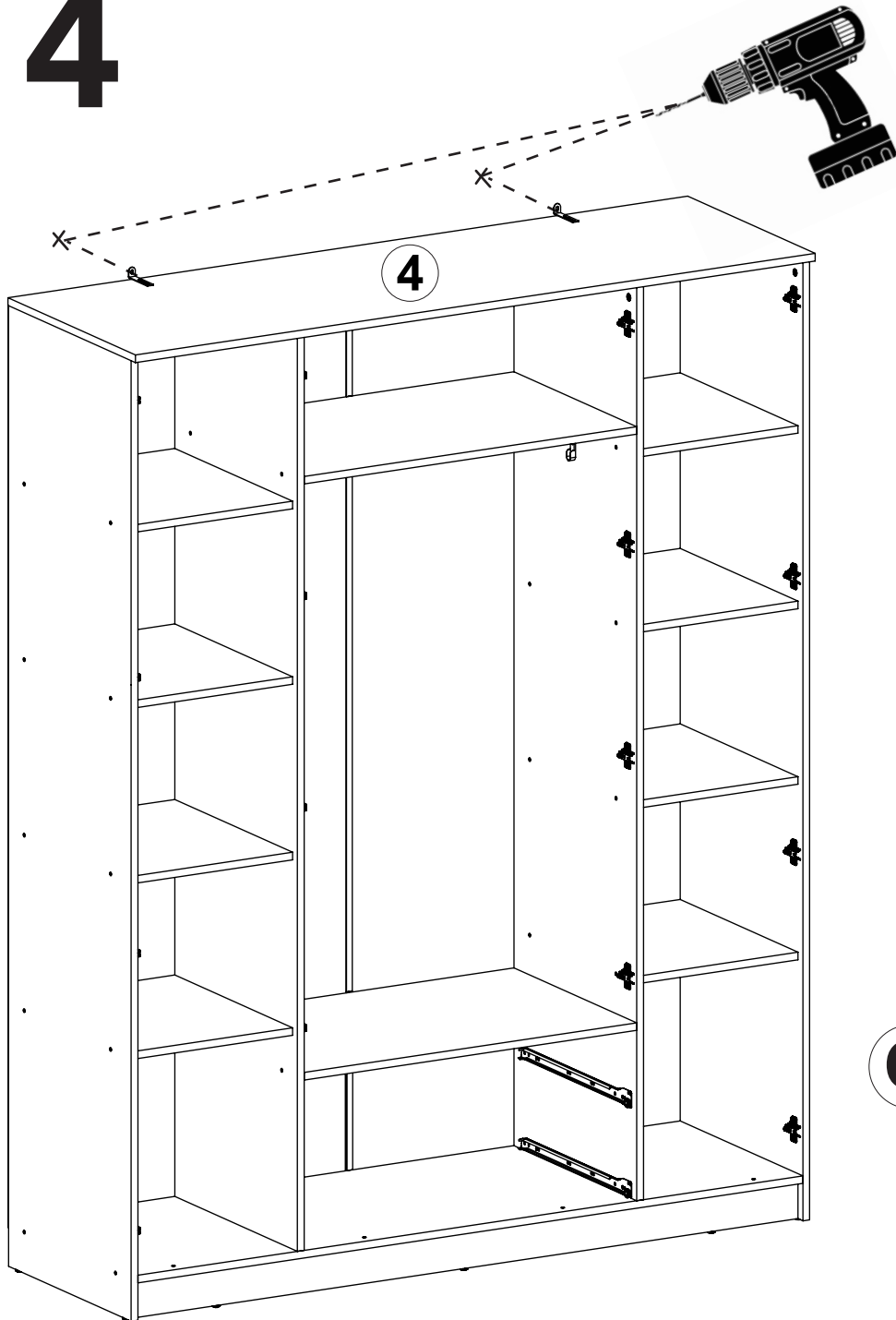


13



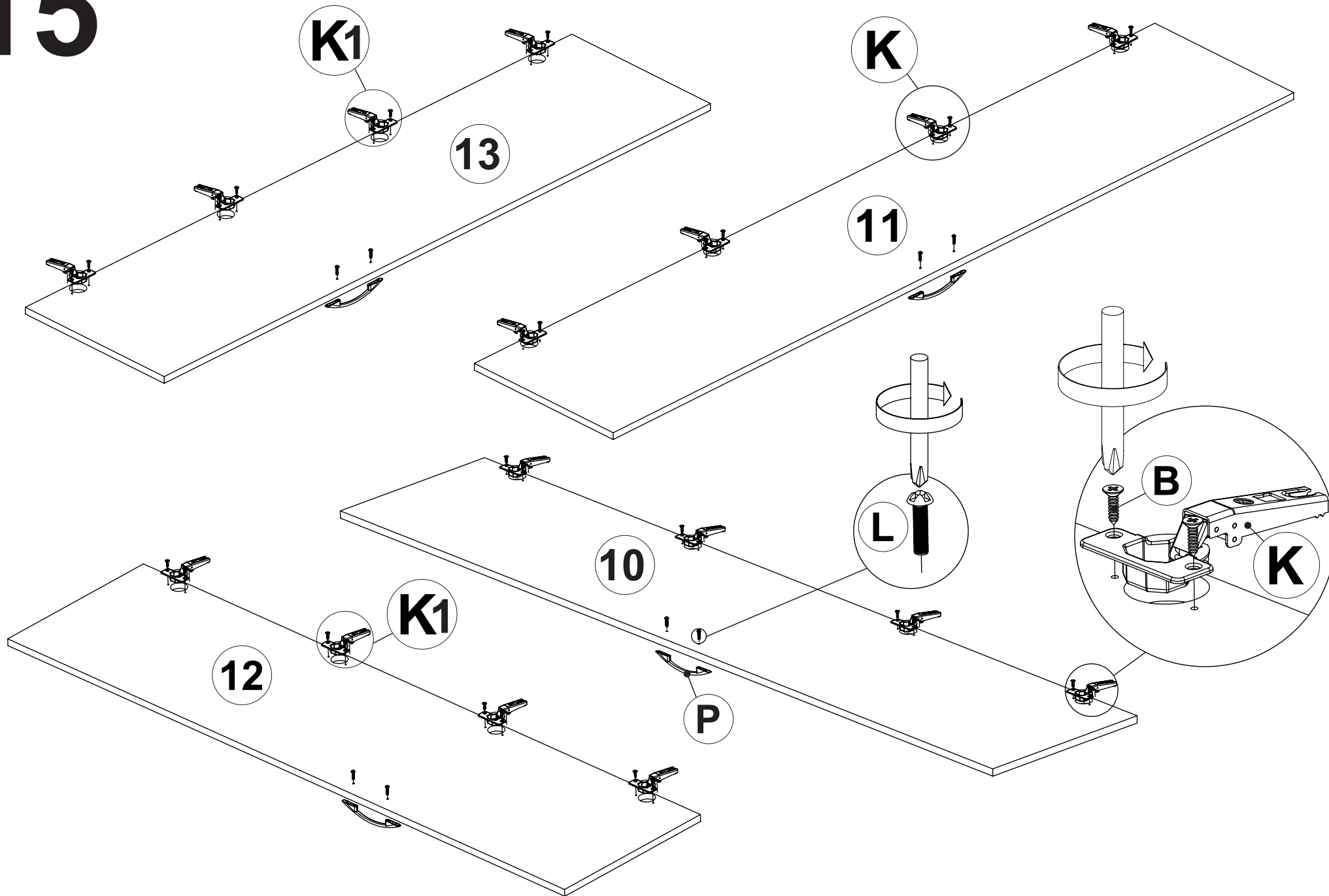
11/16

14

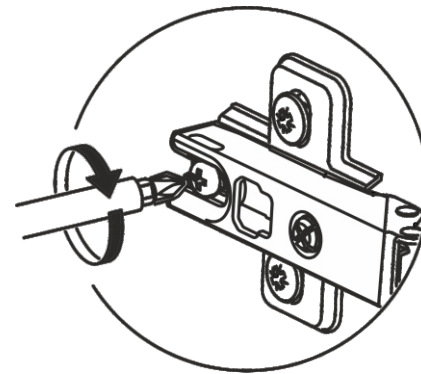
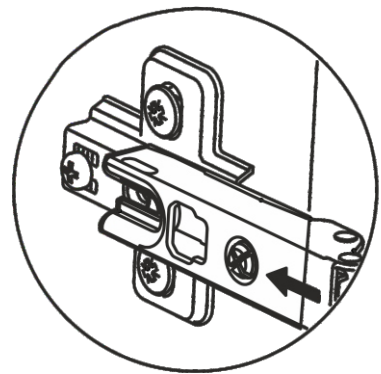
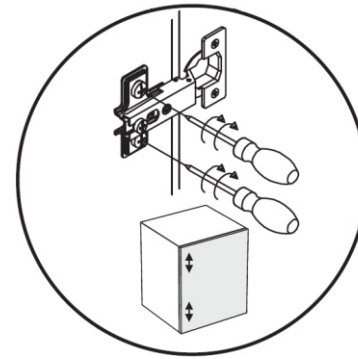
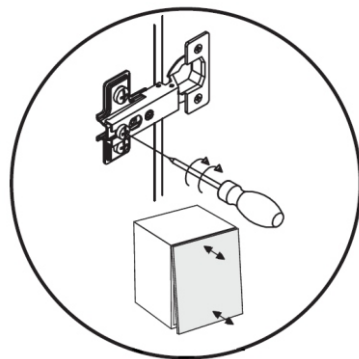
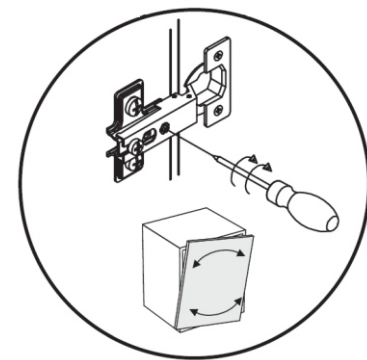
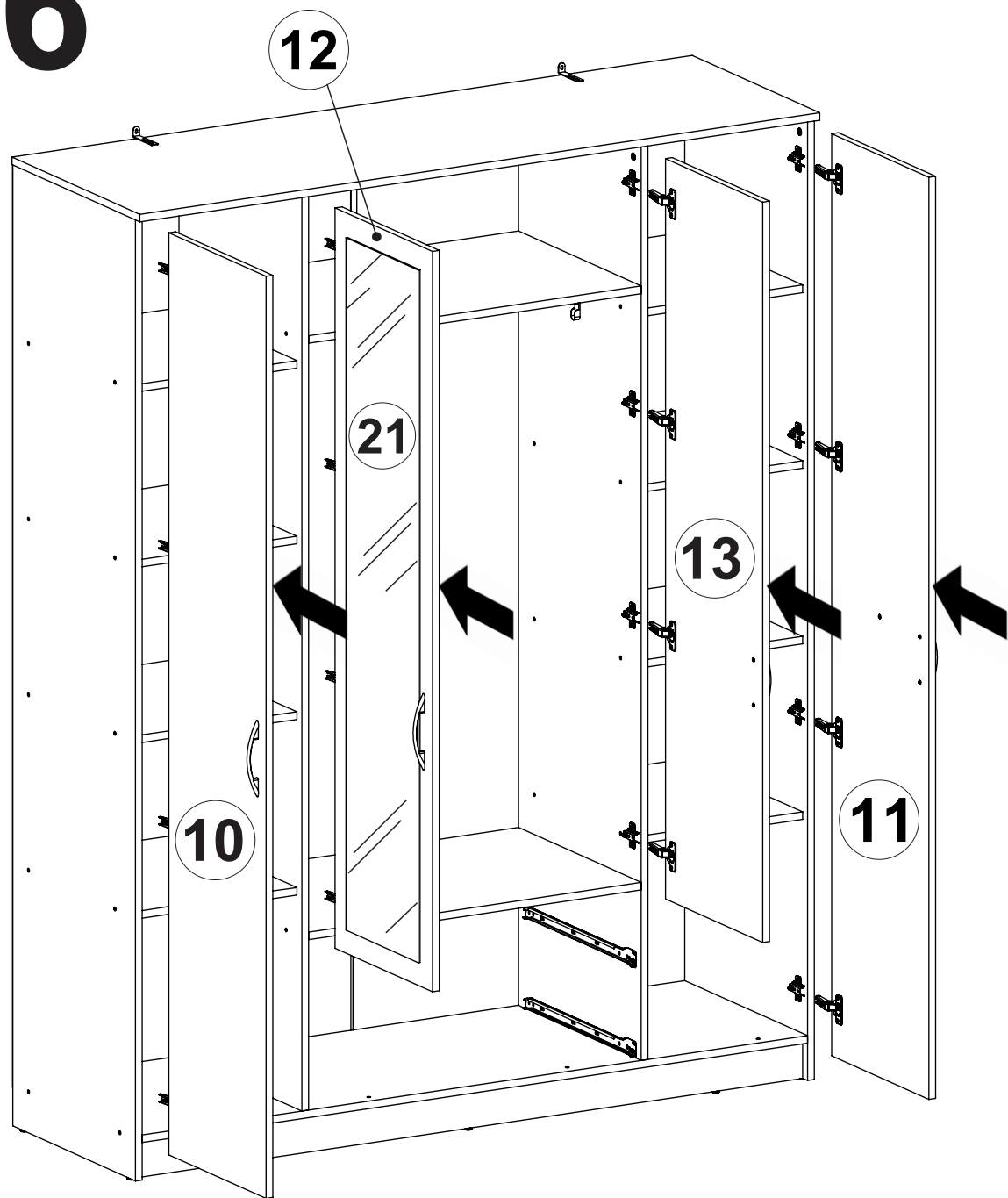


12/16

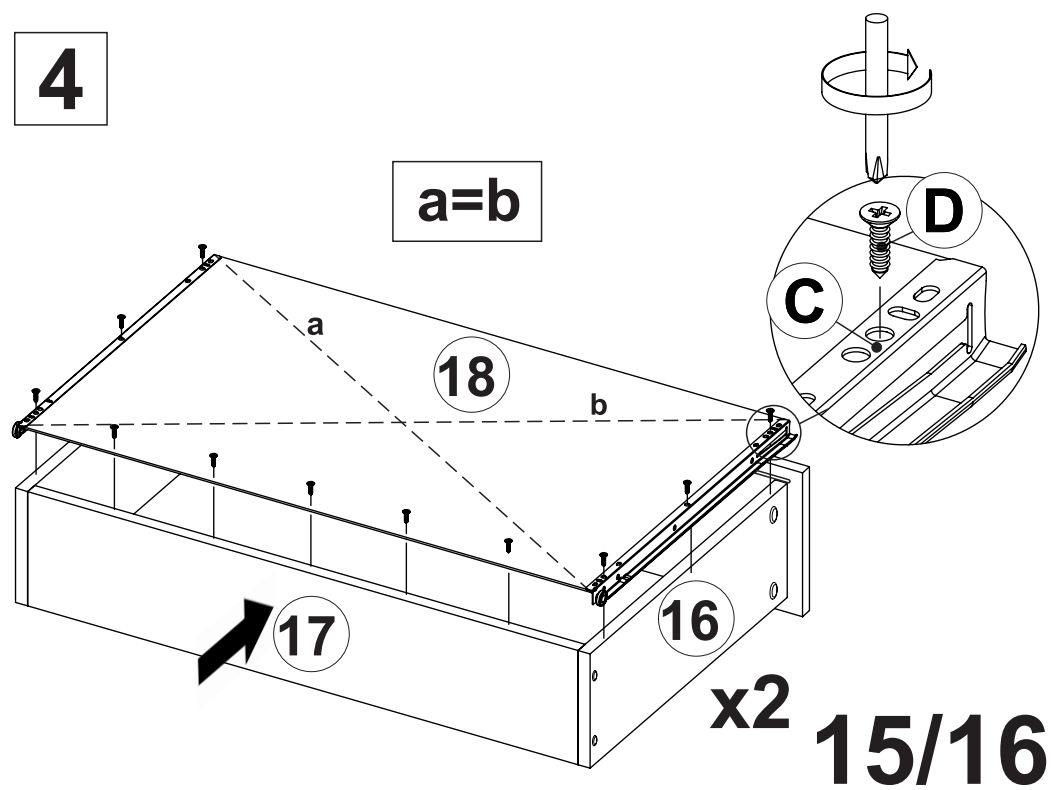
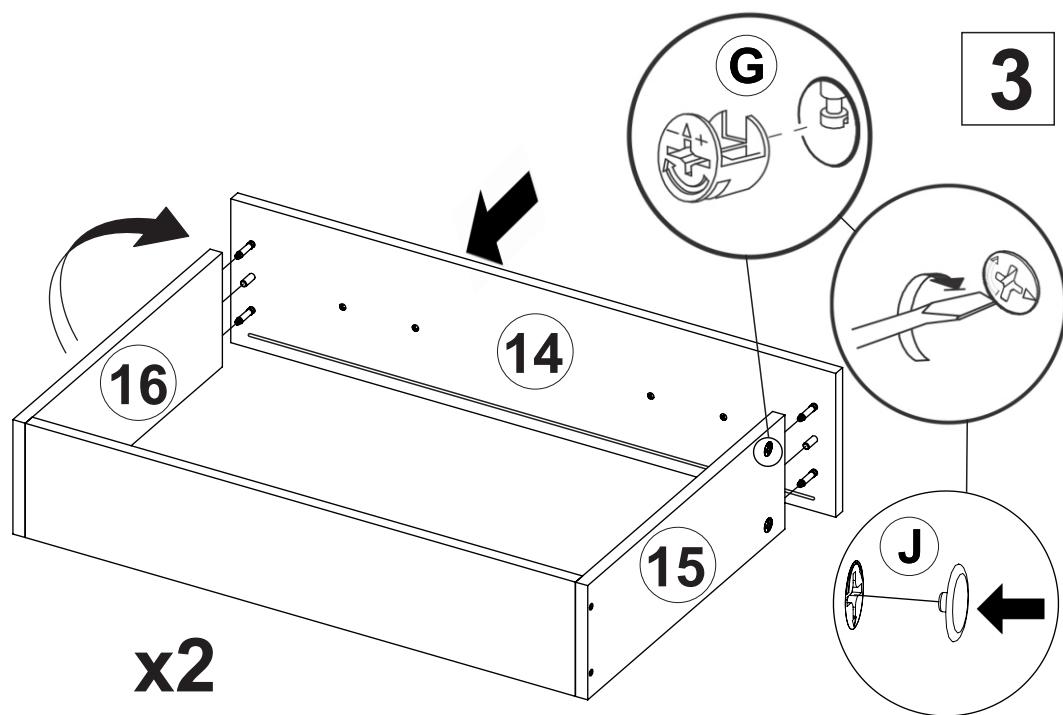
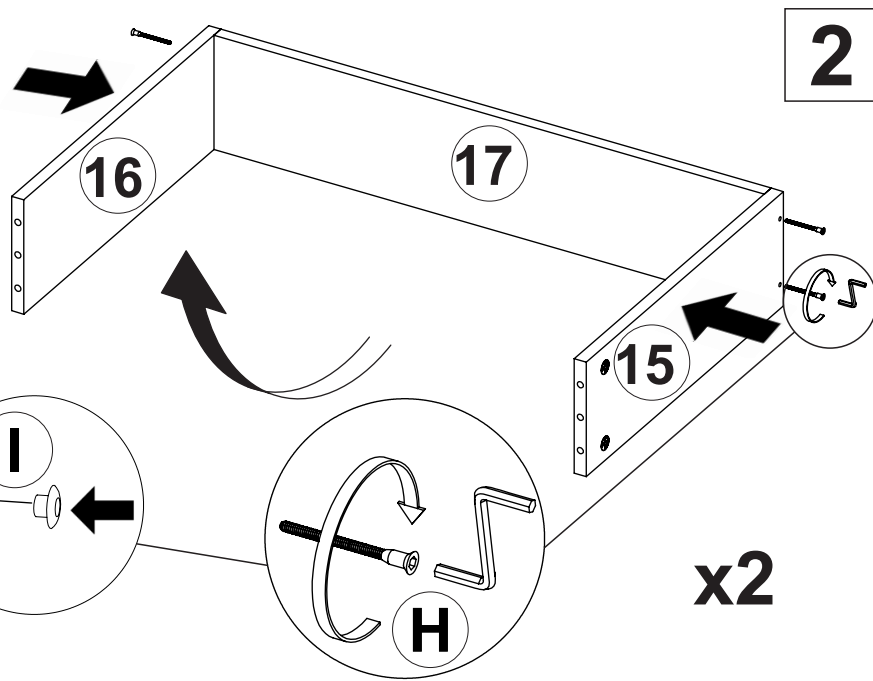
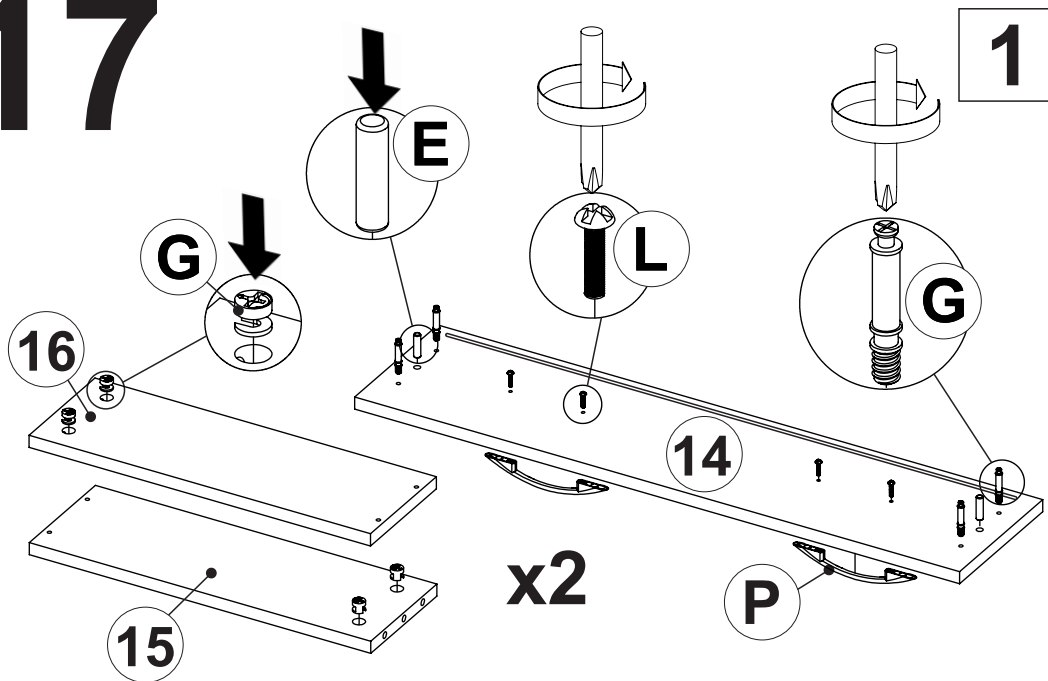
15



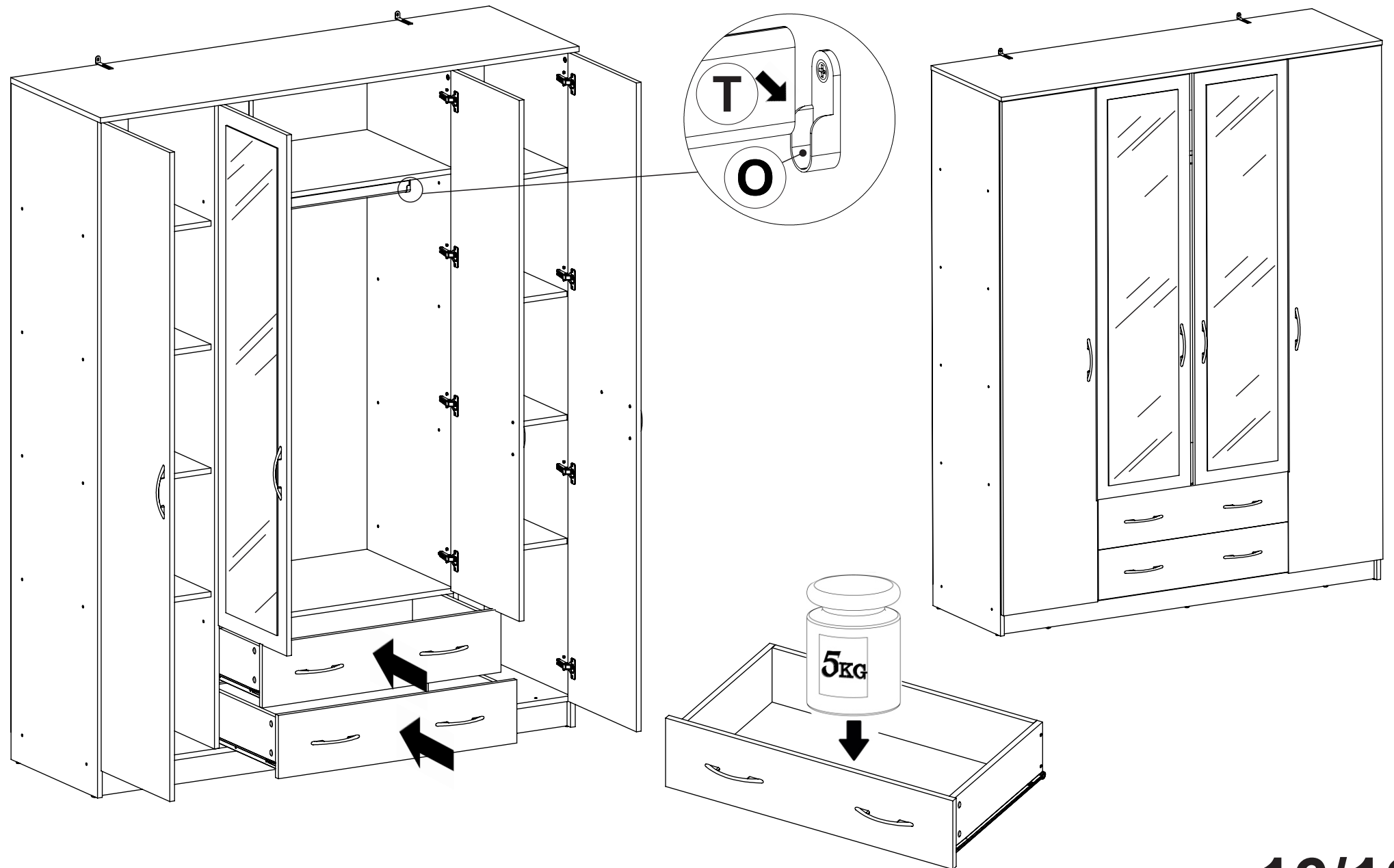
16



17



18



16/16