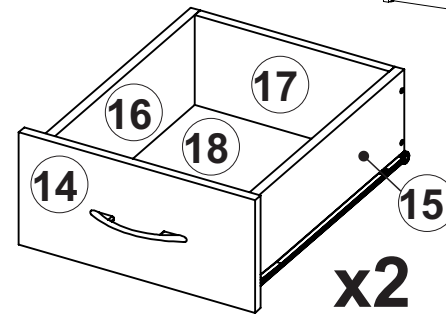
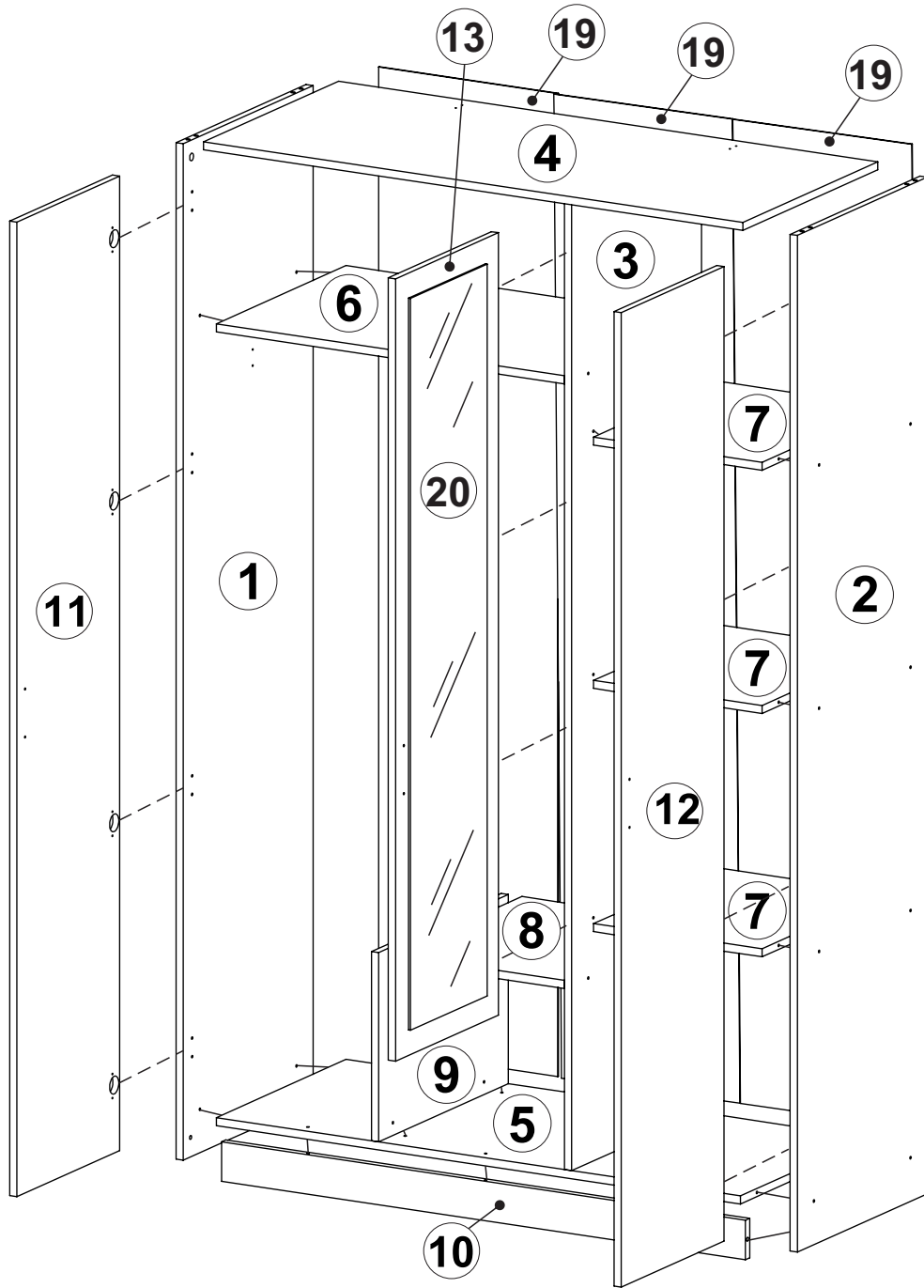


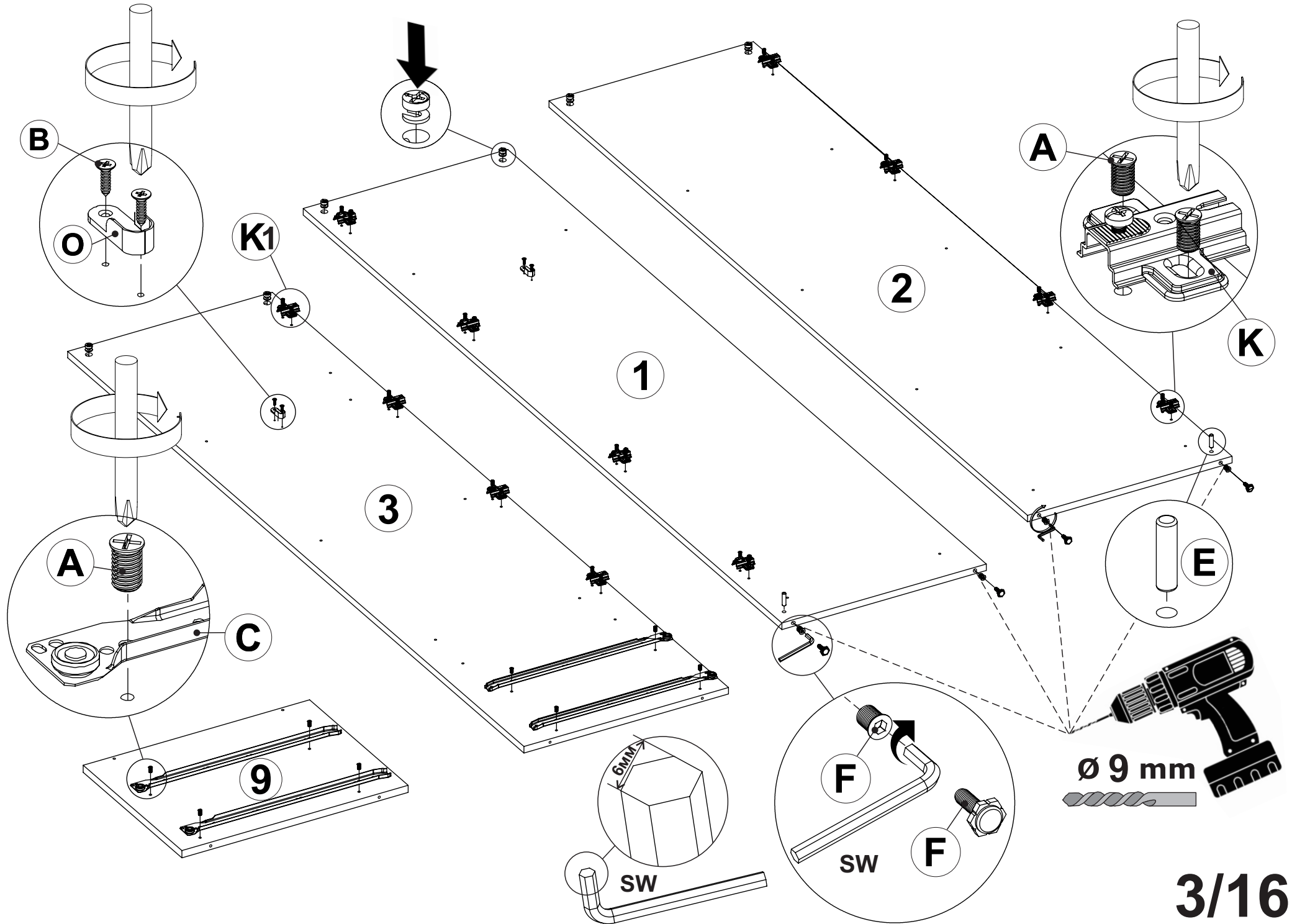
Simple 3D/2Dr



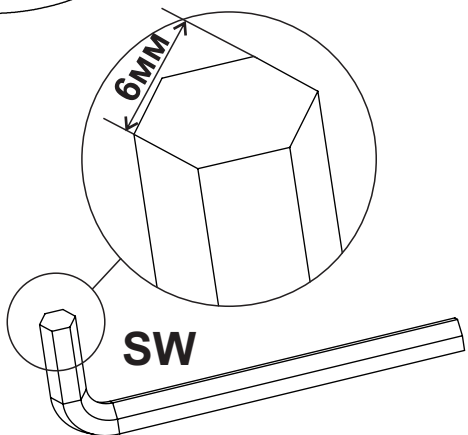
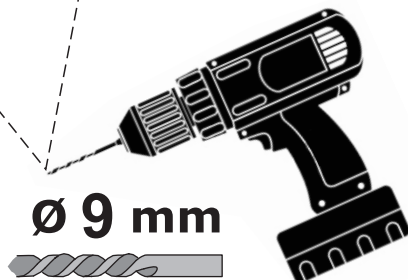
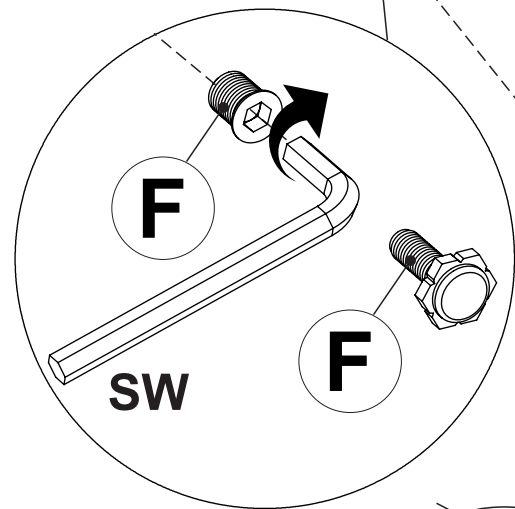
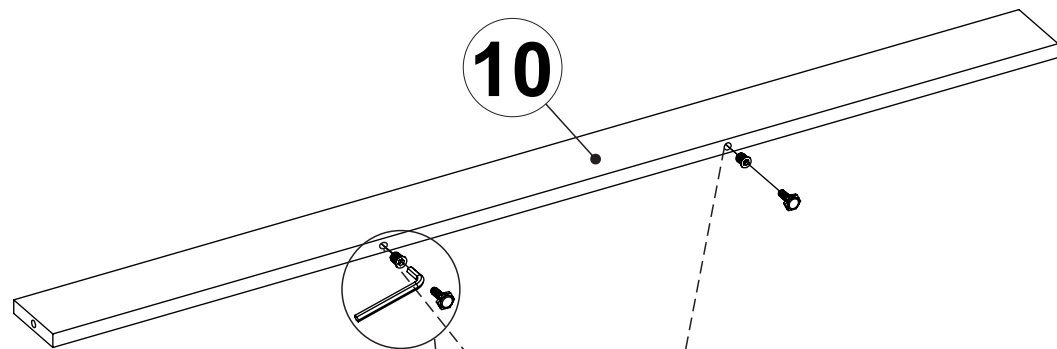
A  x32	B  4x16 x35	C  x2
D  3,5x16 x24	E  x12	F  x6
G  x14	H  x39	I  x39
J  x14	K  x8	K1  x4
L  4x20 x10	M  40g	N  8x80 x2
O  x2	P  x5	Q  x2
R  x7	S  x1	S1  x1
T  x1	21  x1	22  x1
	23  x1	

①	2031x501x16	1
②	2031x501x16	1
③	1936x501x16	1
④	1203x521x16	1
⑤	1168x501x16	1
⑥	776x501x16	1
⑦	376x481x16	3
⑧	384x501x16	1
⑨	378x501x16	1
⑩	79x1168x16	1
⑪	1947x397x16	1
⑫	1947x397x16	1
⑬	1563x397x16	1
⑭	189x397x16	2
⑮	451x151x16	2
⑯	451x151x16	2
⑰	327x151x16	2
⑱	455x357x2,5	2
⑲	1964x399x2,5	3
⑳	1462x296x4	1
㉑	L=348	1
㉒	L1=1191	1
㉓	L=772	1

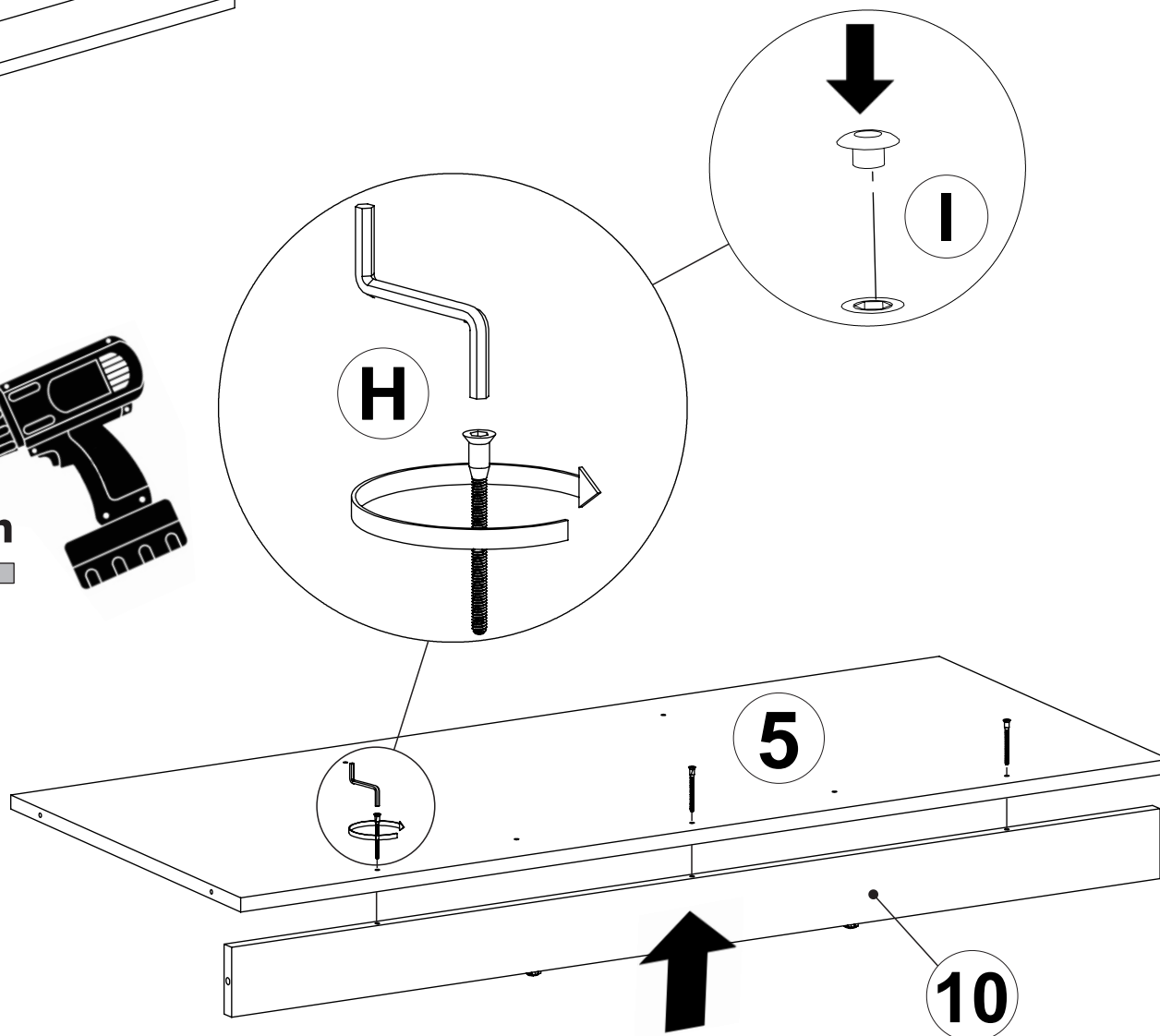
1



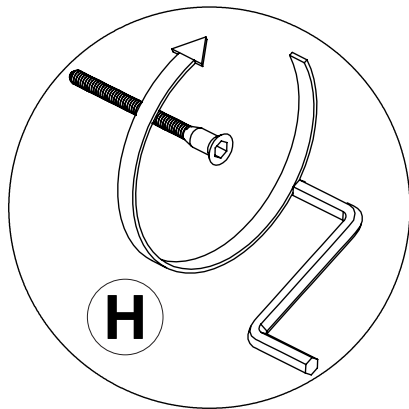
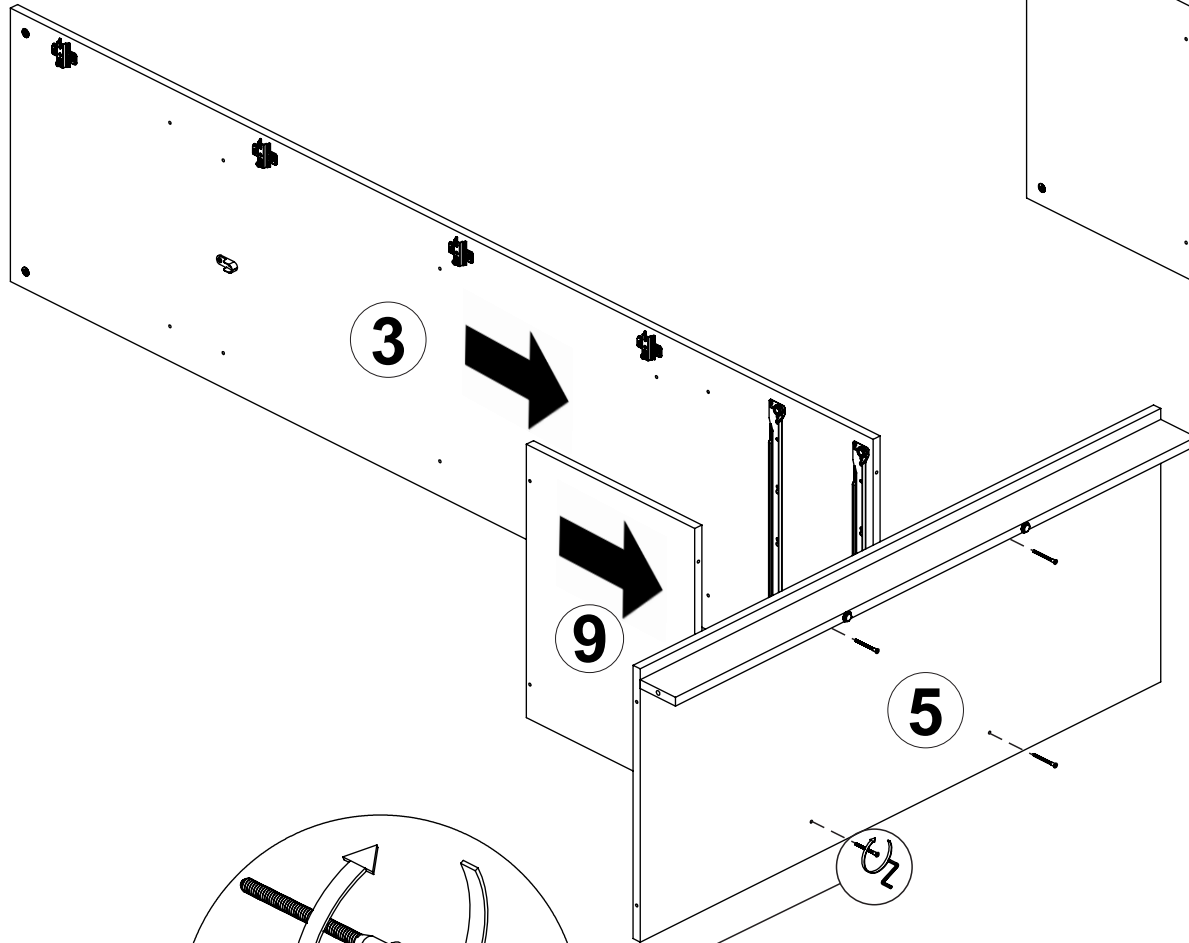
2



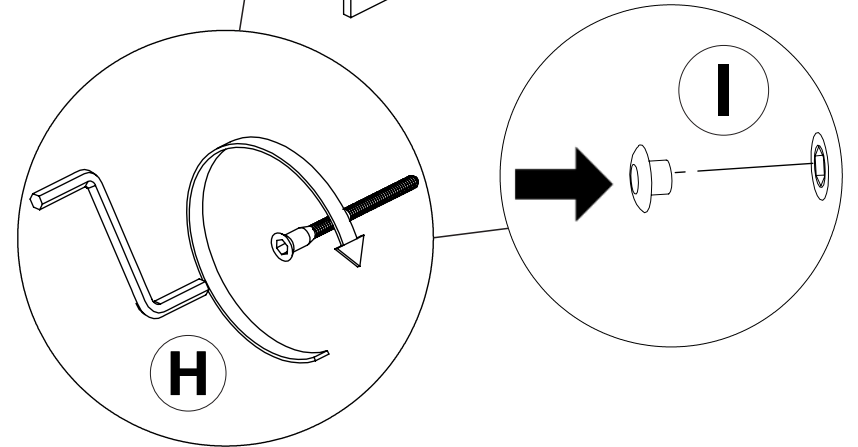
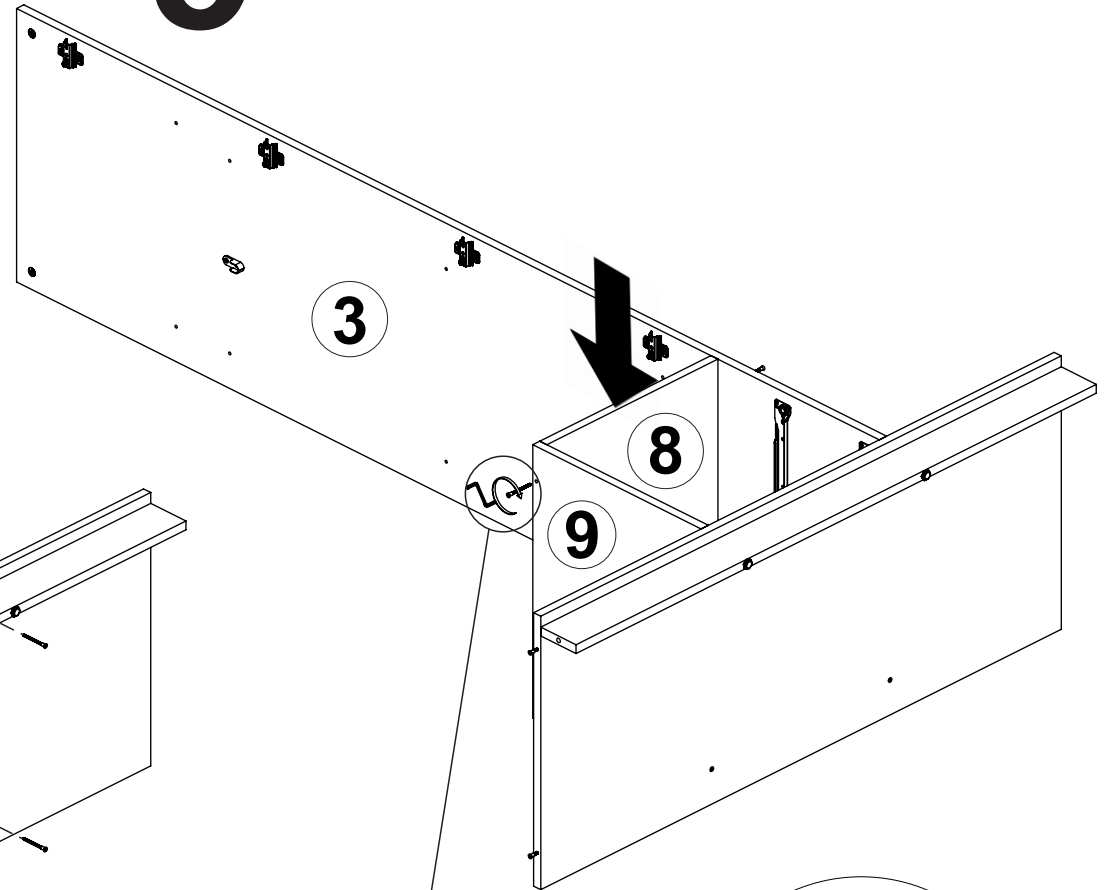
3



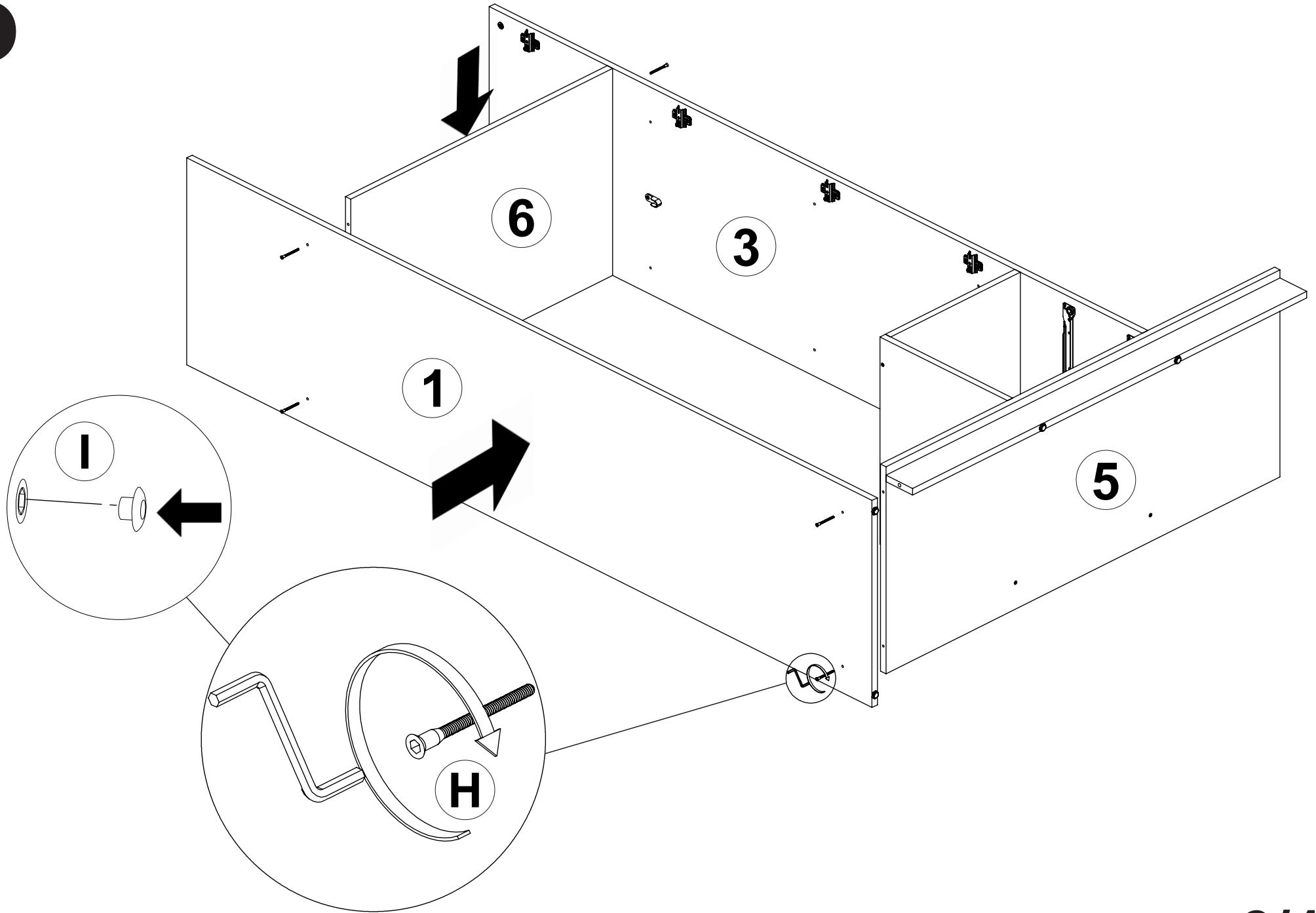
4



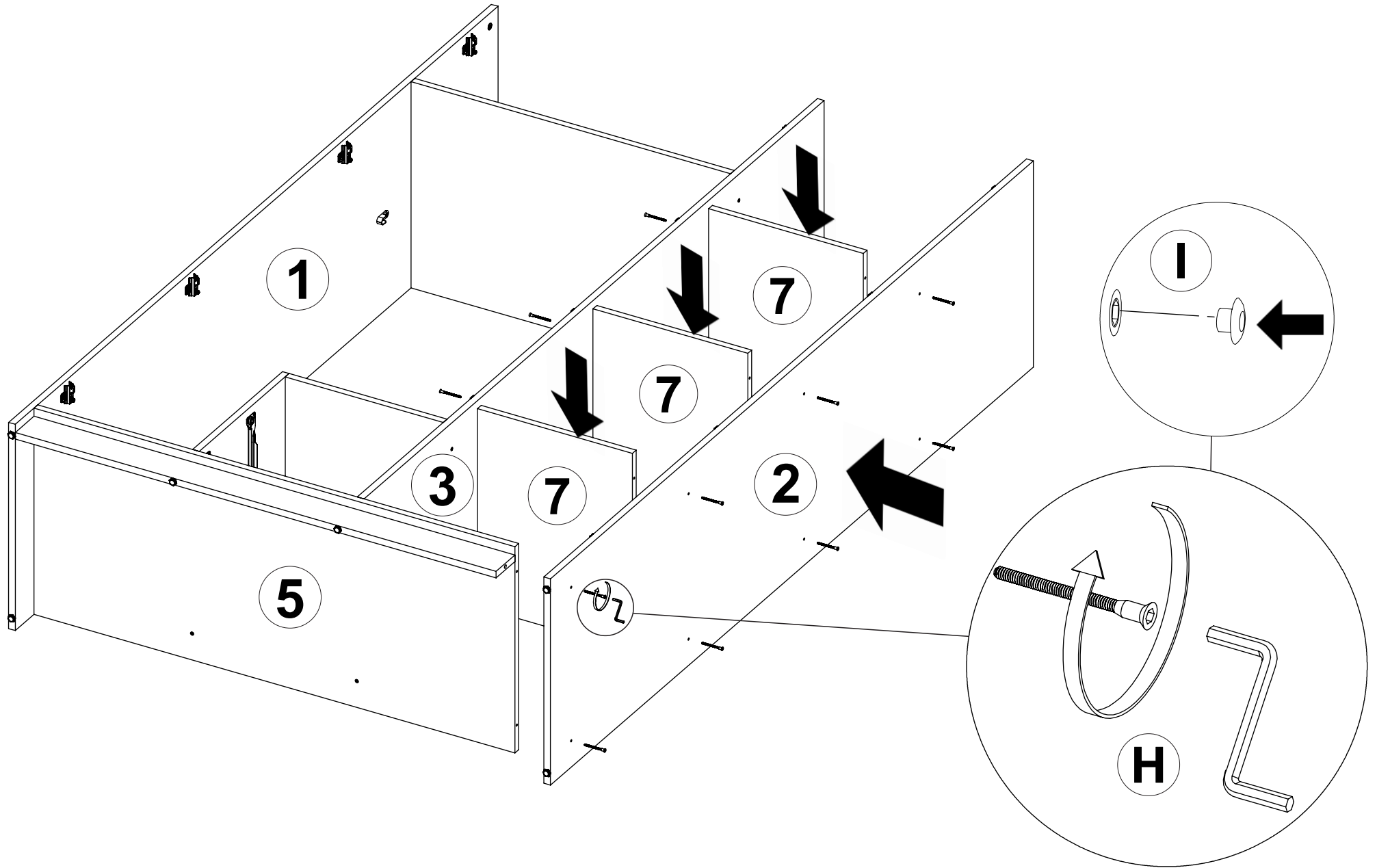
5



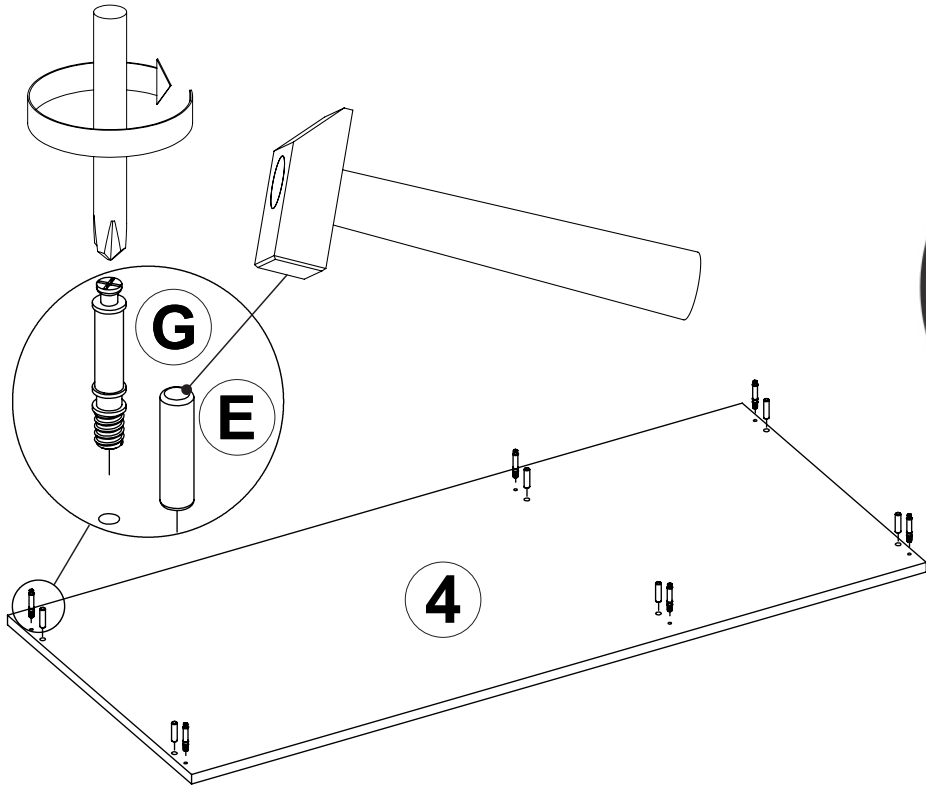
6



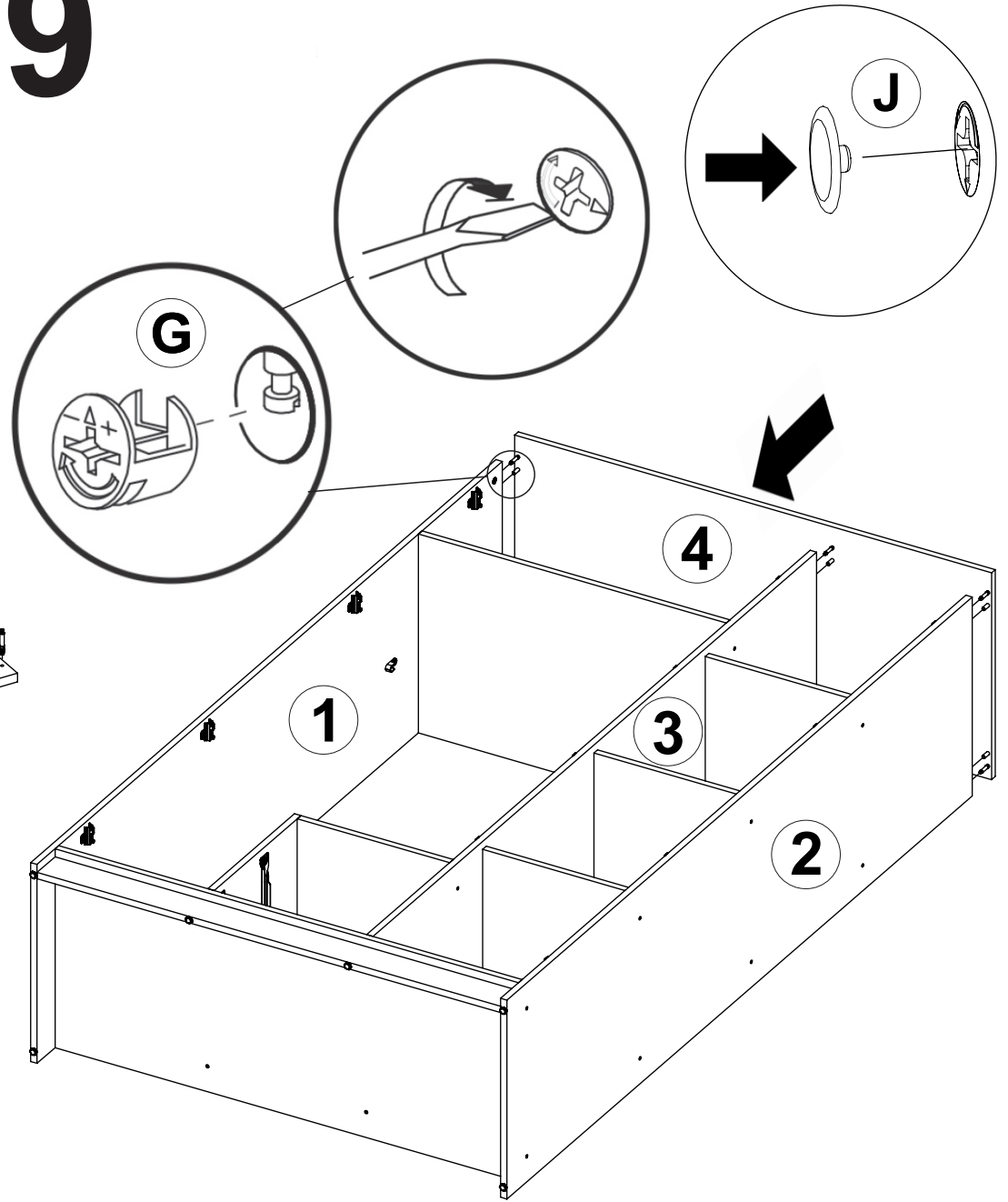
7



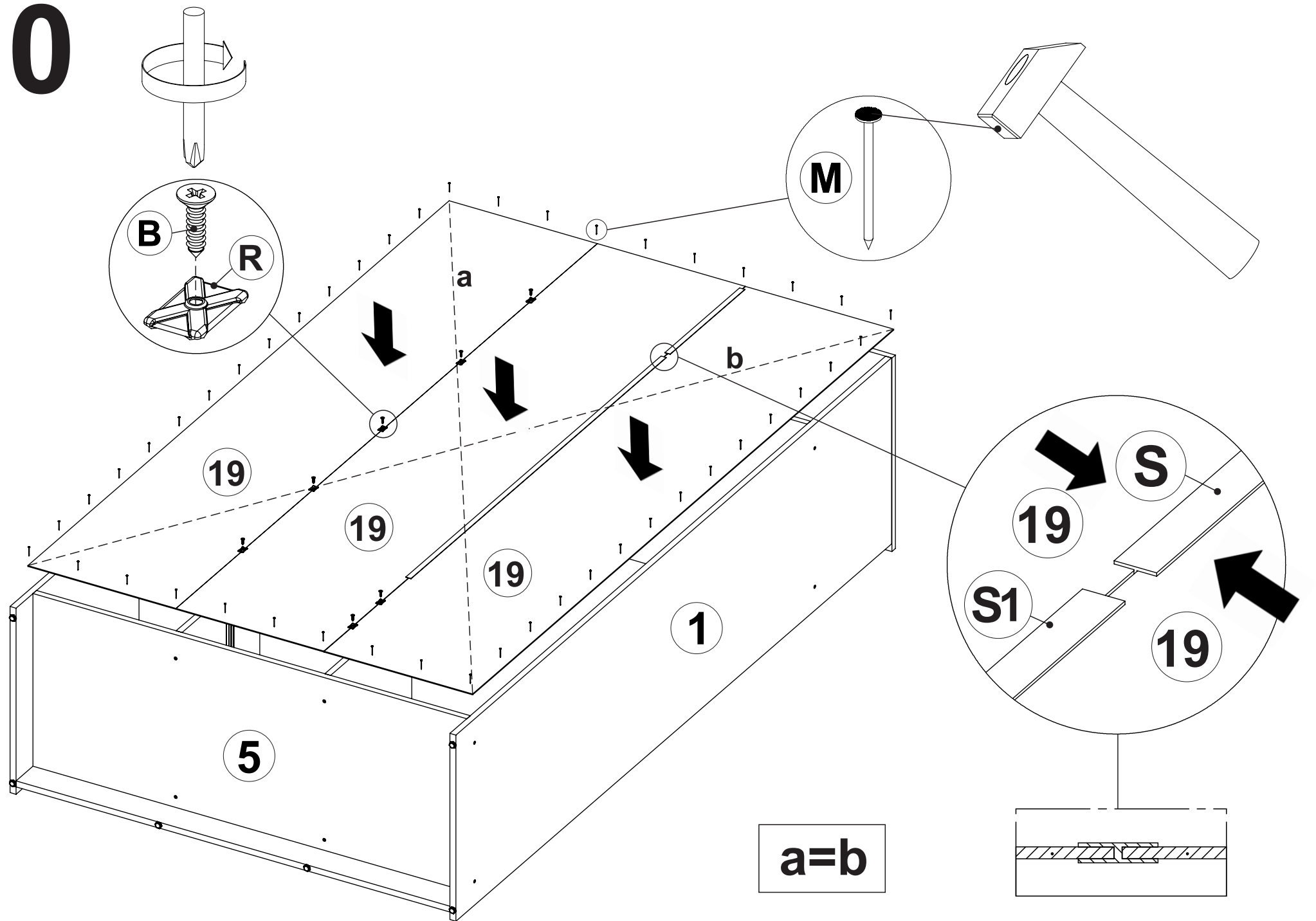
8



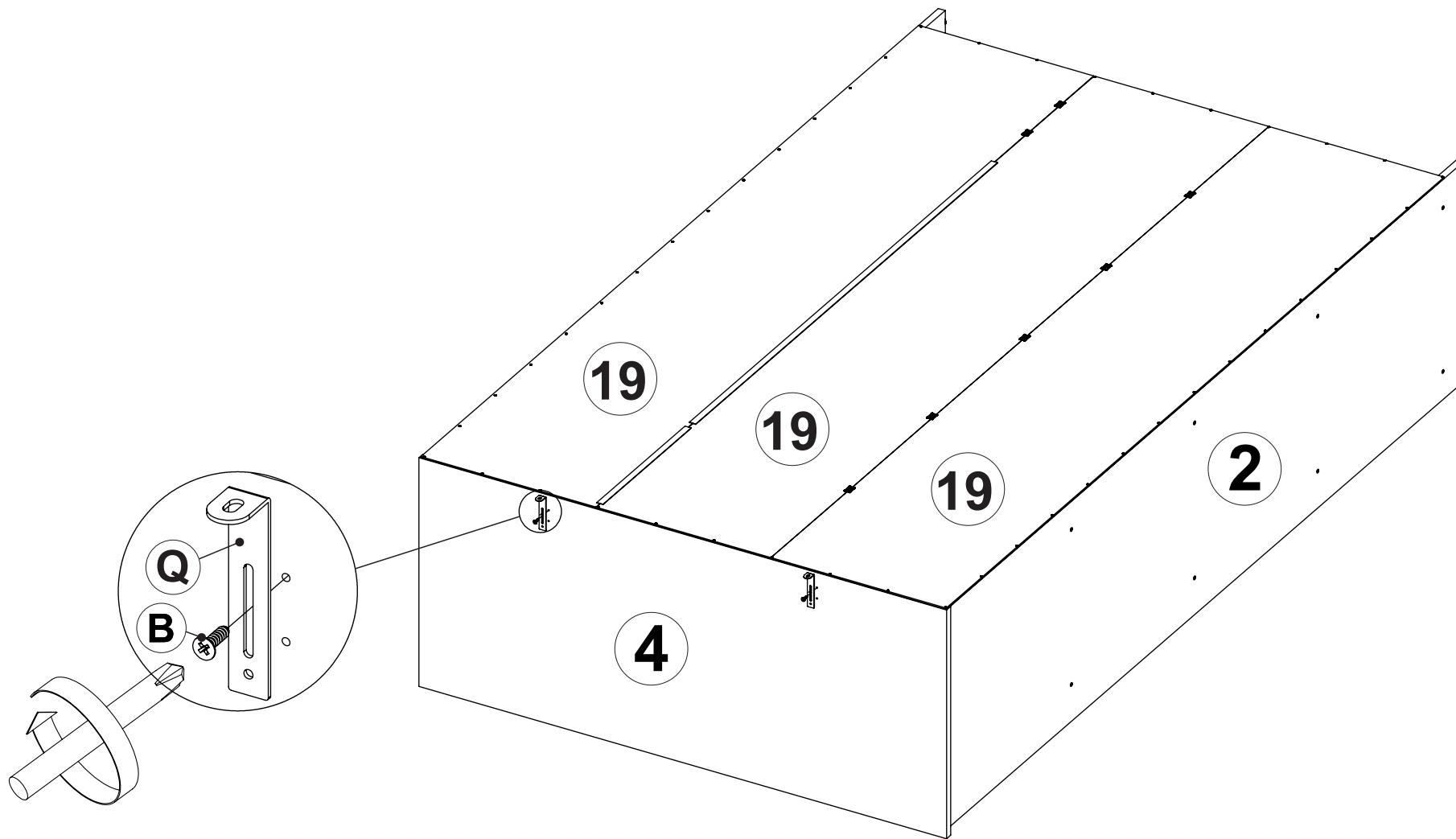
9



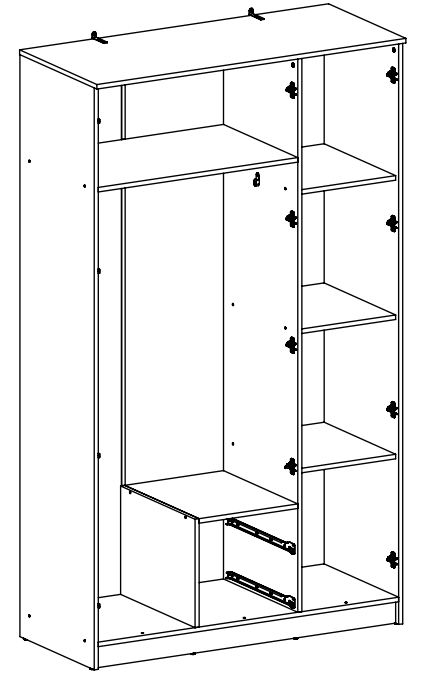
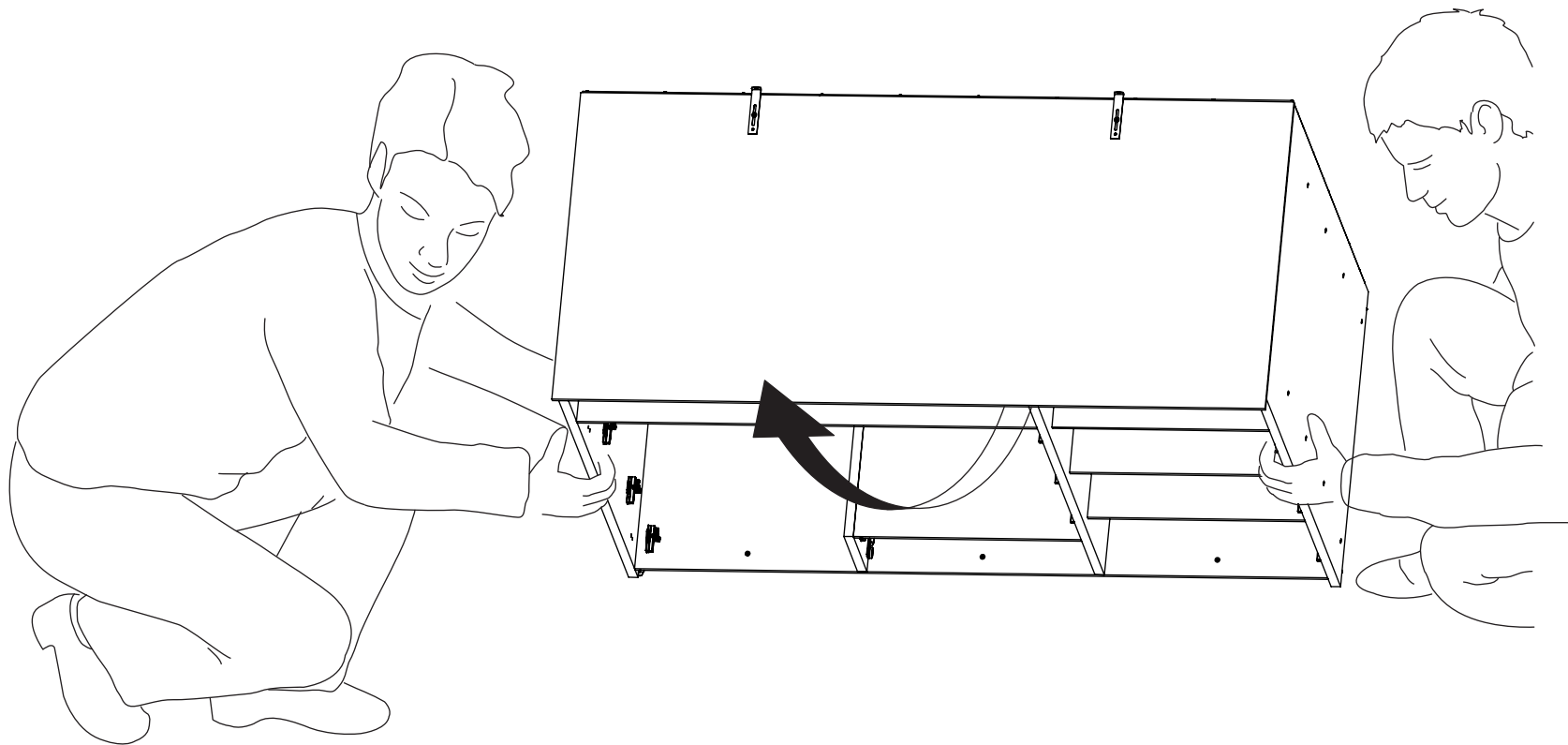
10



11

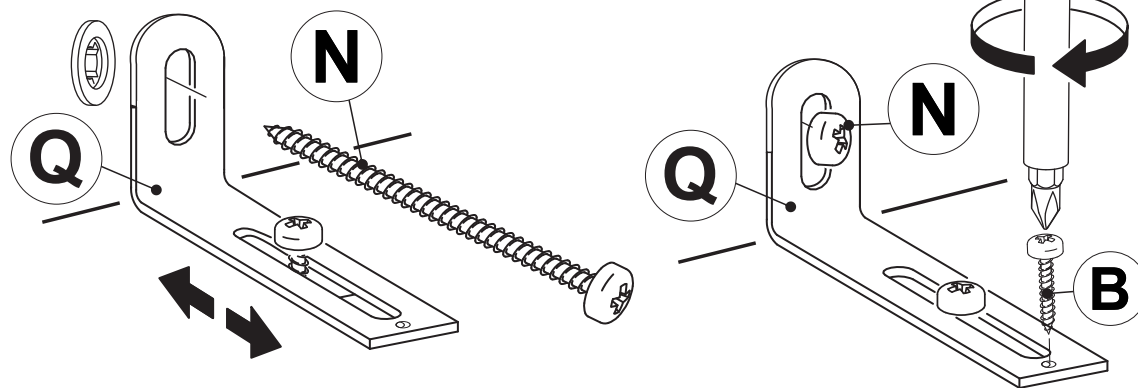
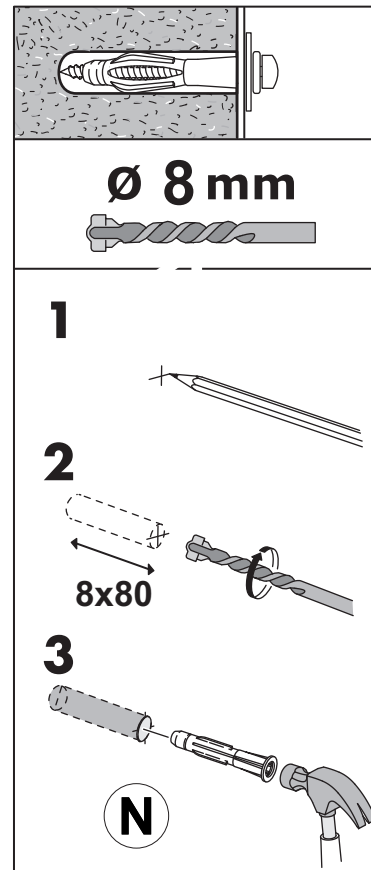
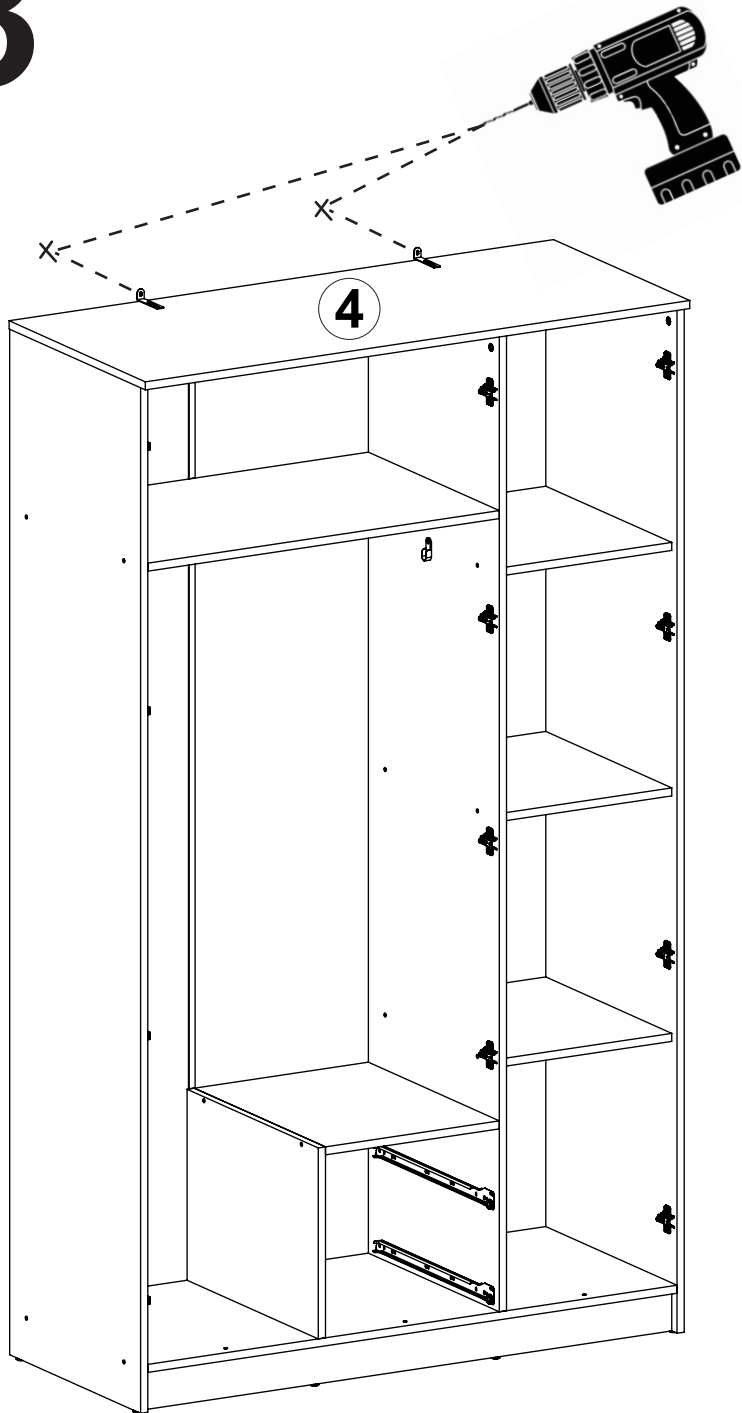


12



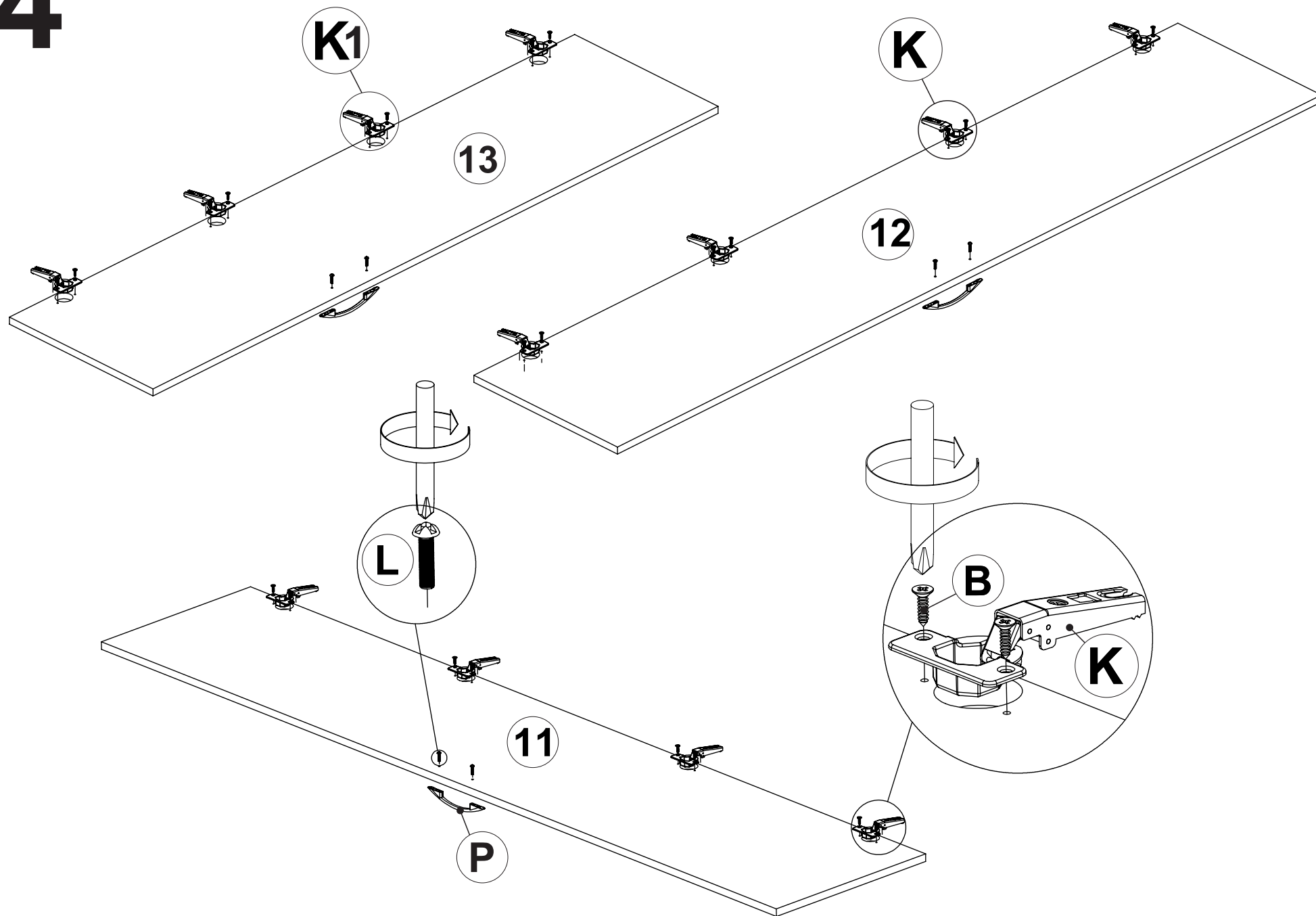
11/16

13

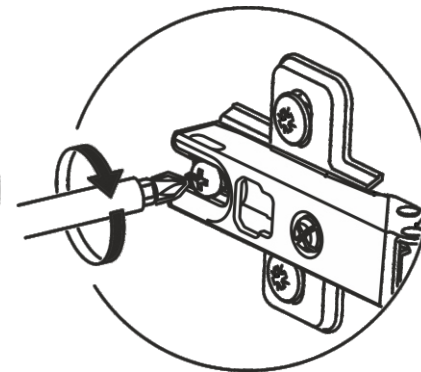
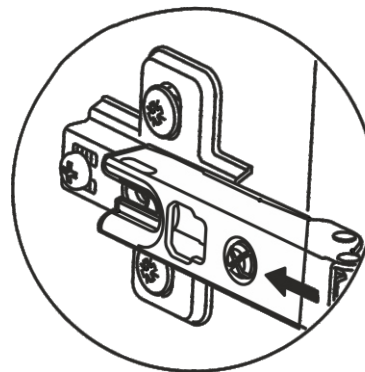
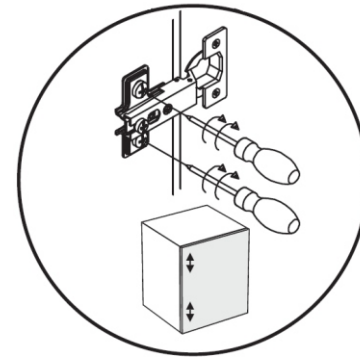
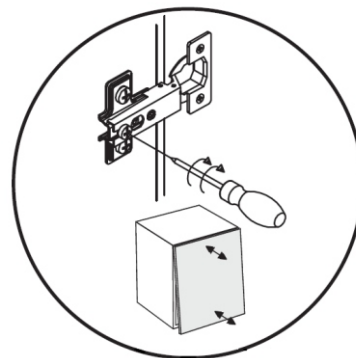
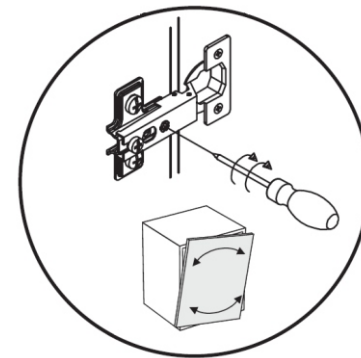
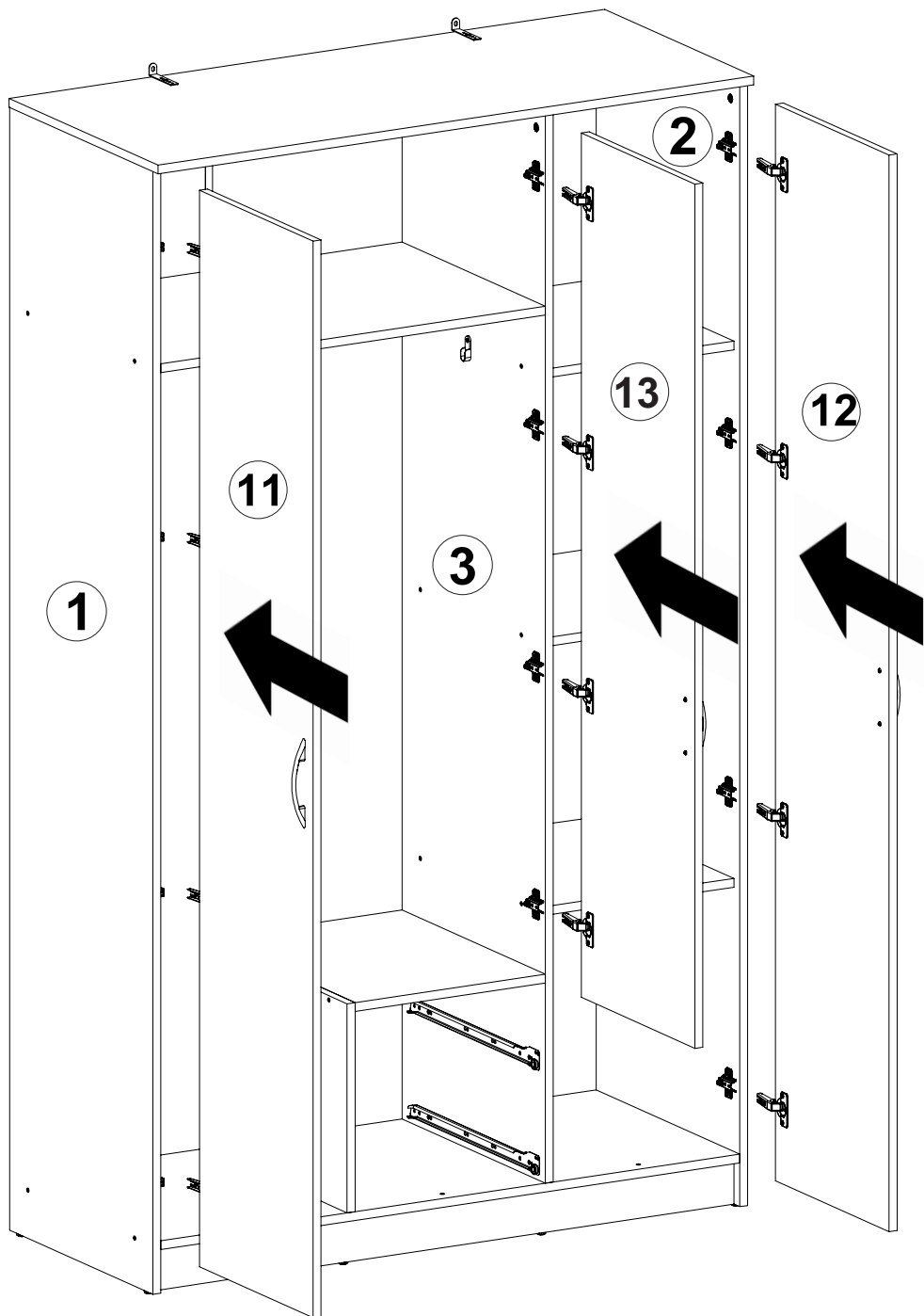


12/16

14

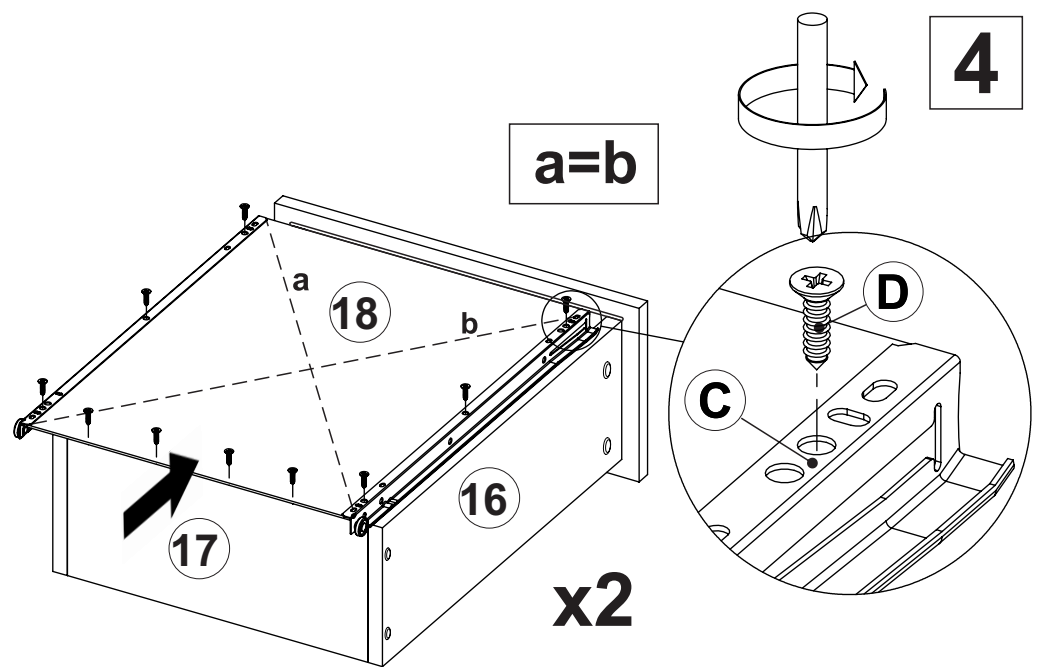
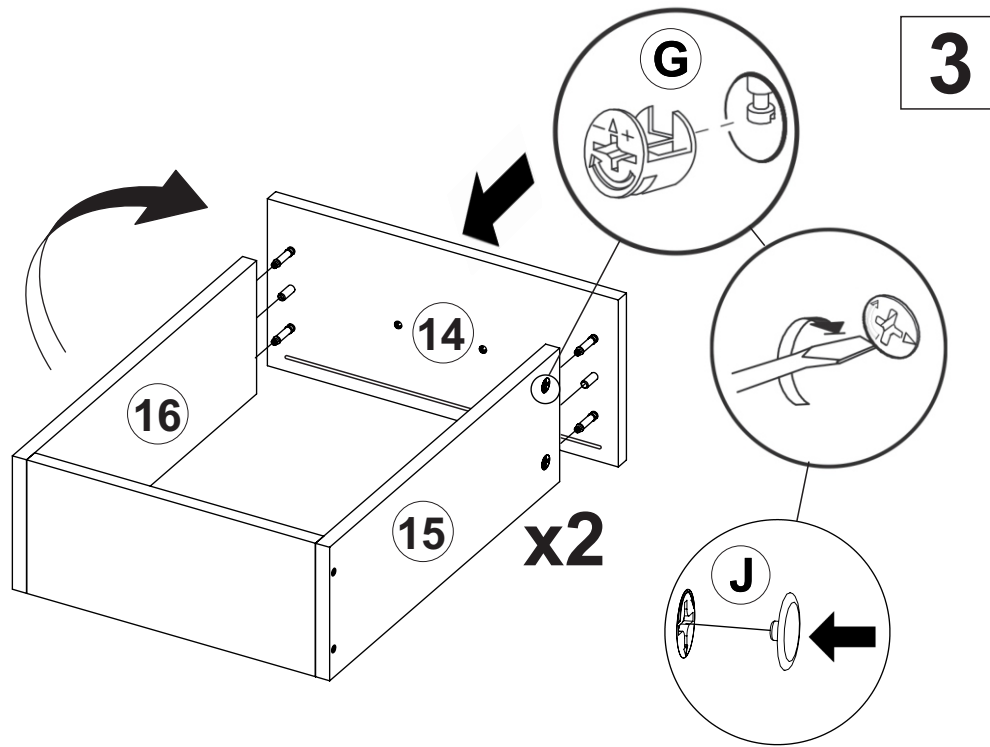
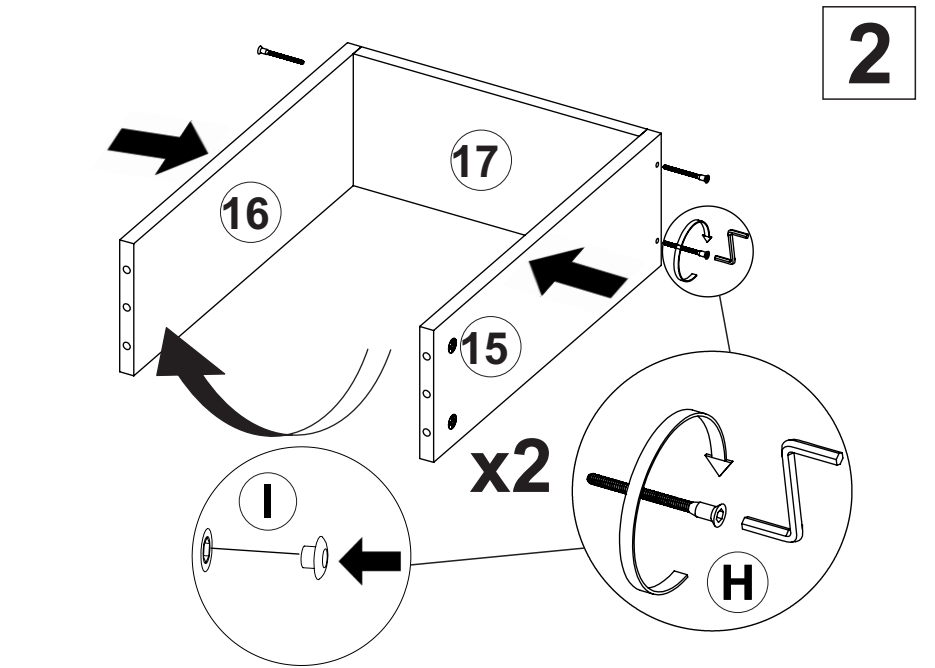
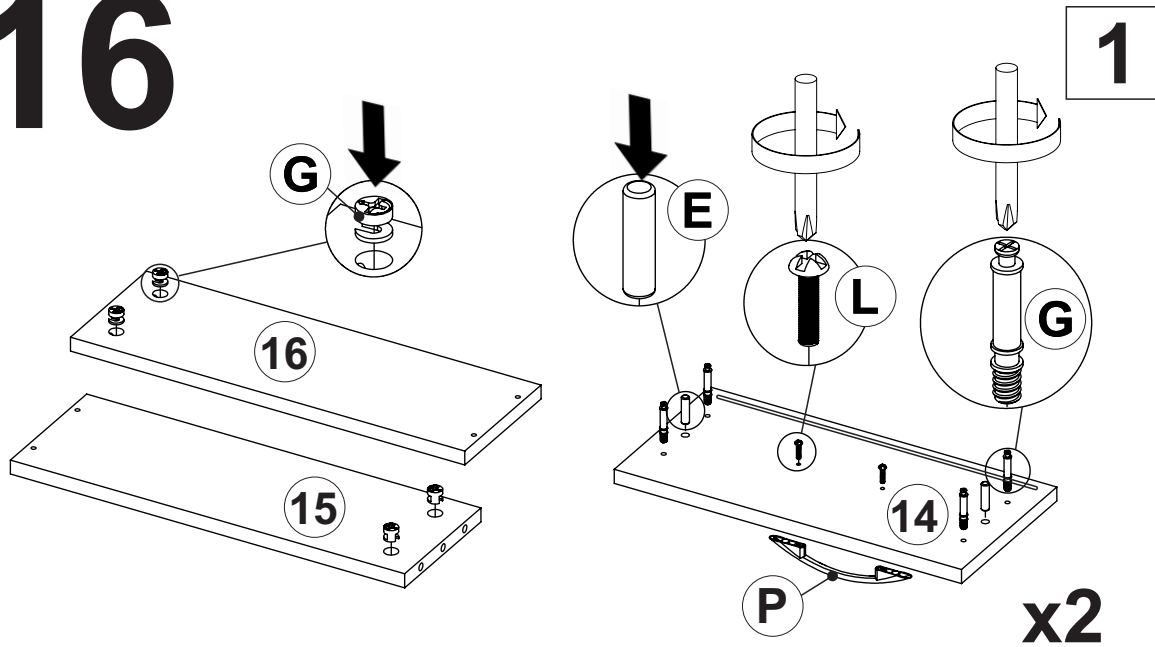


15

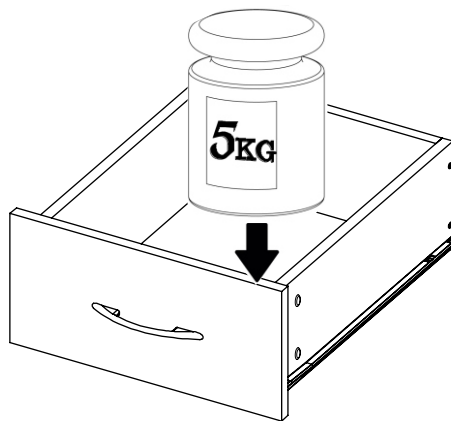
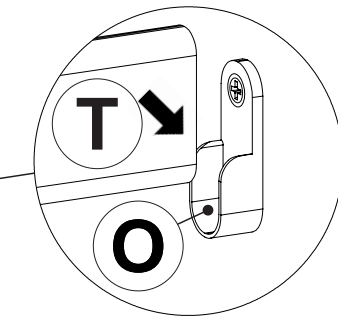
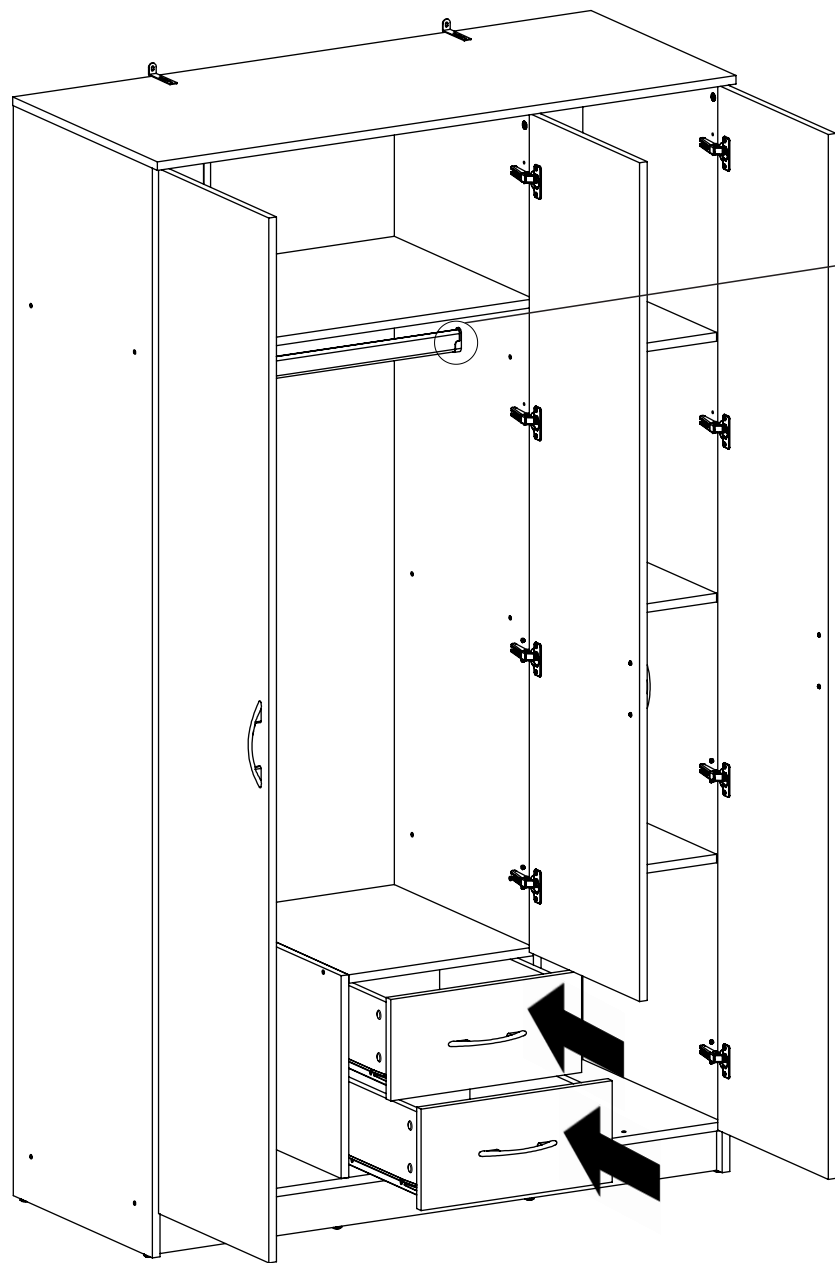


14/16

16



17



16/16