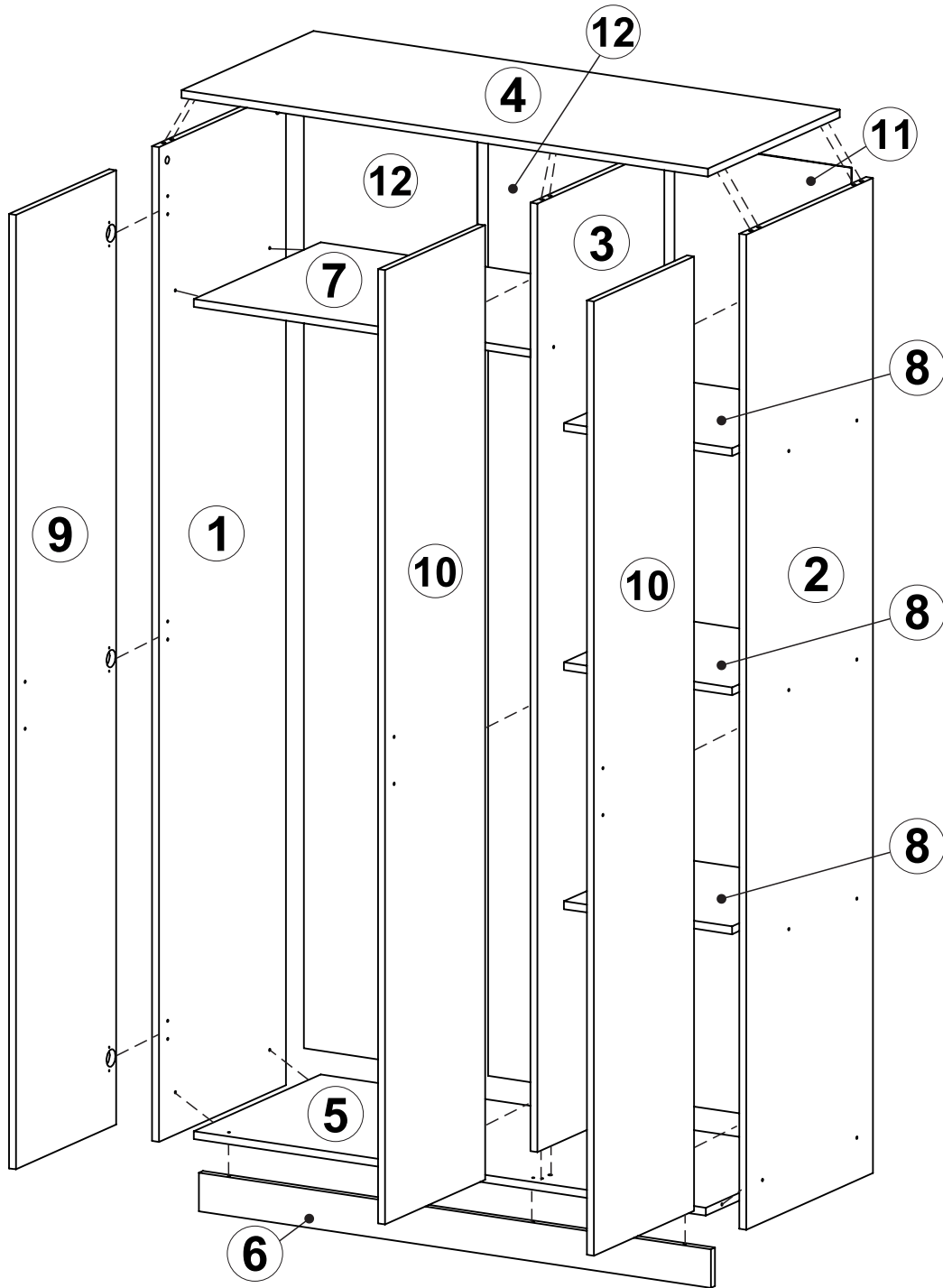



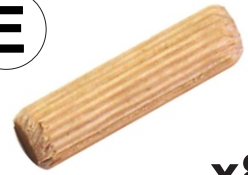












# Simple 3D 2050/520/800

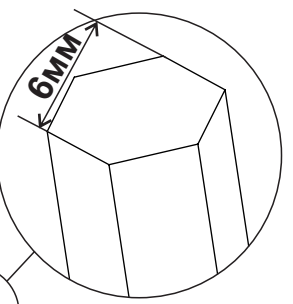


<b>A</b>  x18	<b>B</b> 4x16  x18	<b>C</b> 3,5x16  x11	
<b>D</b> 4x20  x6	<b>E</b>  x8	<b>F</b>  x5	
<b>G</b>  x8	<b>H</b>  x8	<b>I</b>  x24	
<b>J</b>  x24	<b>K</b>  x9	<b>L</b>  x2	
<b>M</b>  40g	<b>N</b>  764mm x1	<b>O</b> 300mm x1	<b>O1</b> 1624mm x1
<b>P</b>  x3	<b>Q</b>  x5	<b>R</b>  x6	

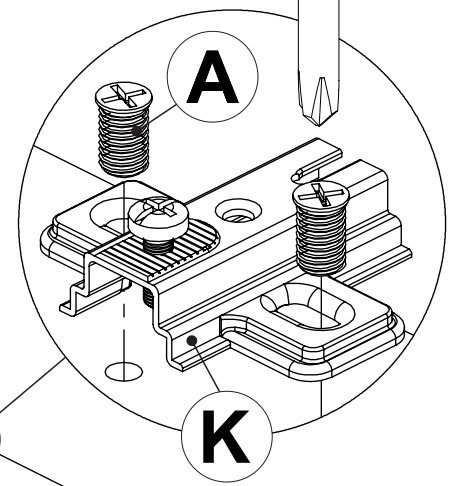
①	2035x501x16	1
②	2035x501x16	1
③	1940x501x16	1
④	1201x521x16	1
⑤	1168x501x16	1
⑥	1168x79x16	1
⑦	768x501x16	1
⑧	384x397x16	3
⑨	1952x396x16	1
⑩	1952x396x16	2
⑪	1968x403x2,5	1
⑫	1968x395x2,5	2

1

G



SW



2

1

C

L

A

K

F

SW

F

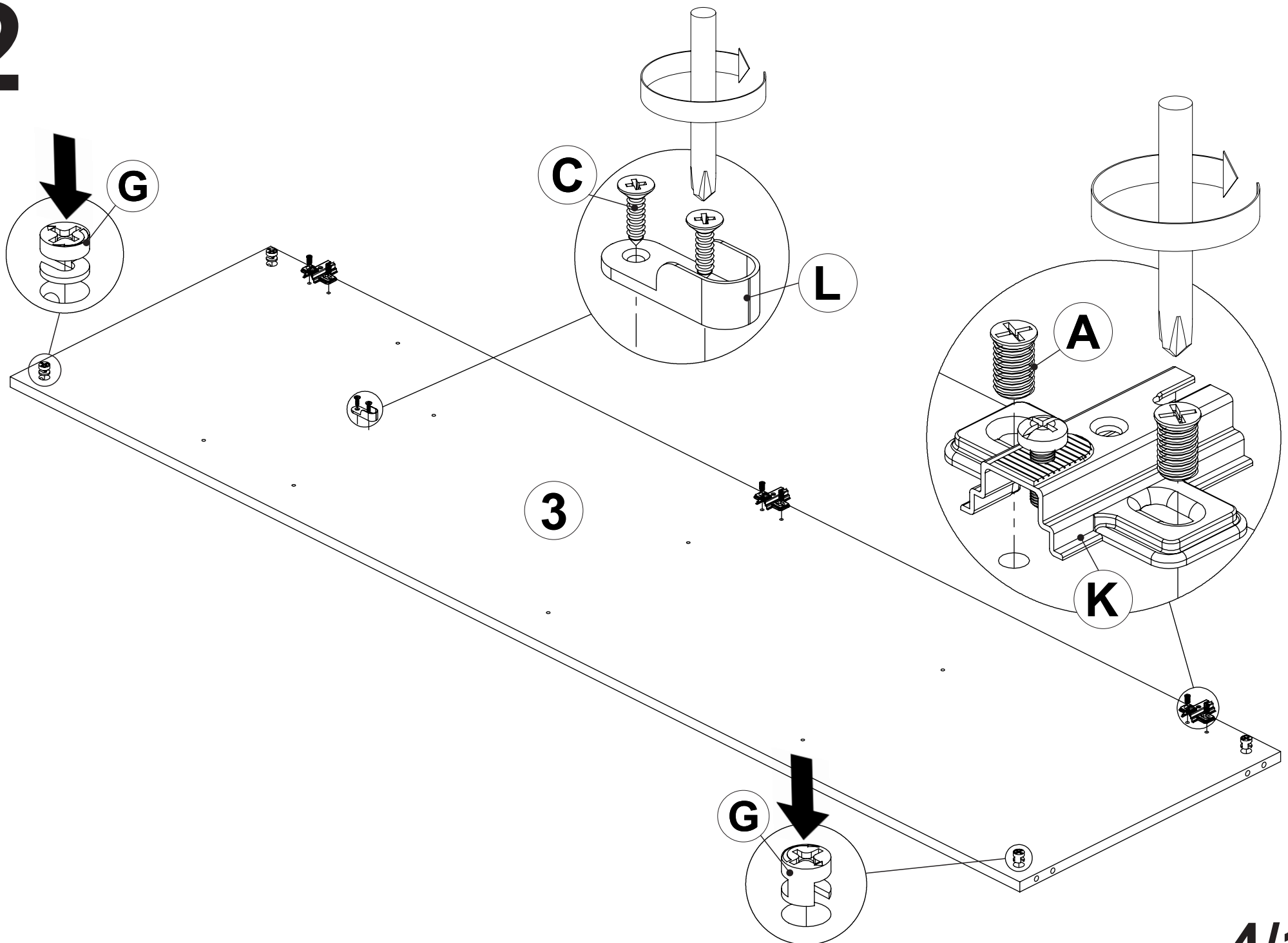


Ø 9 mm



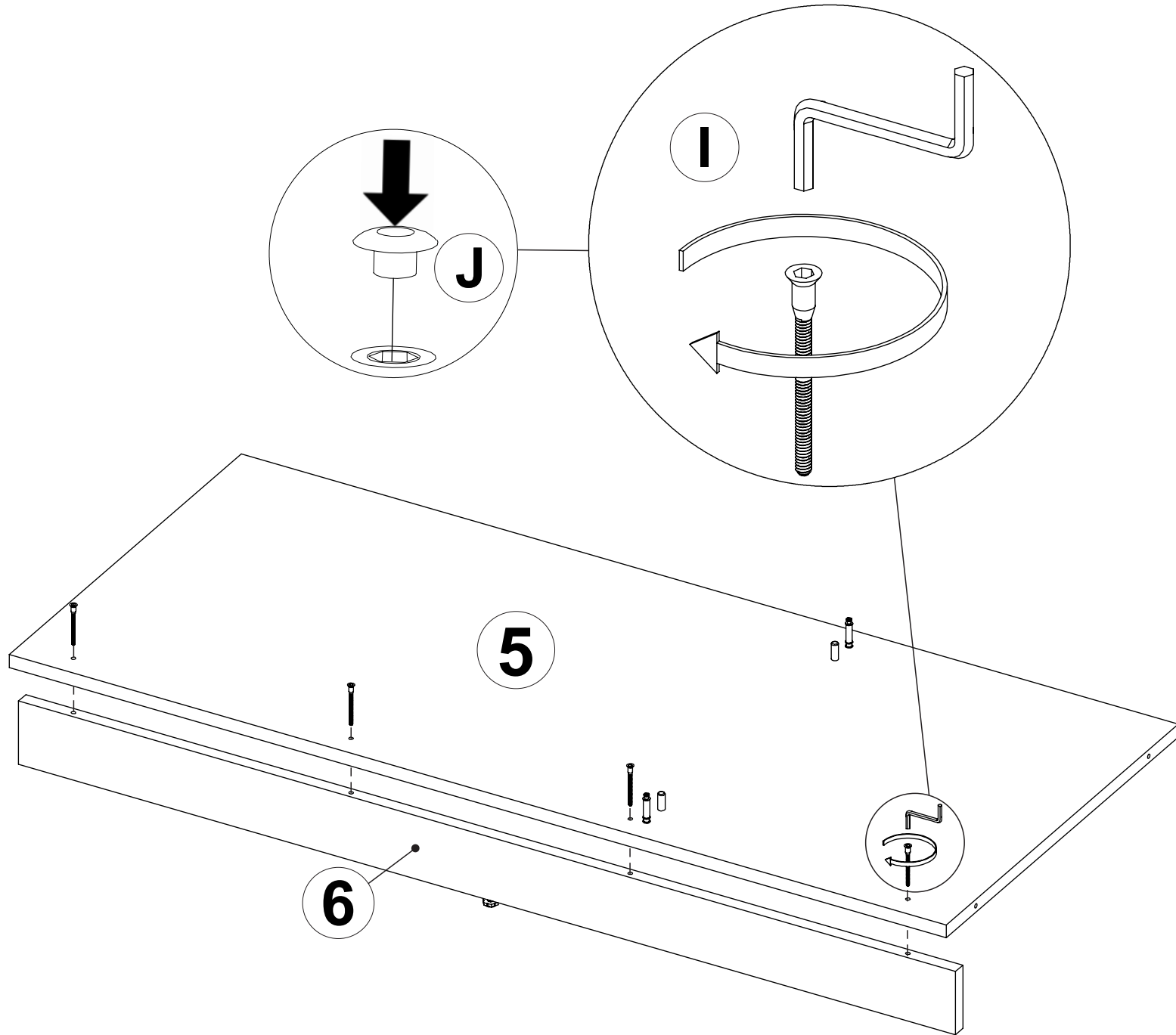
3/14

# 2

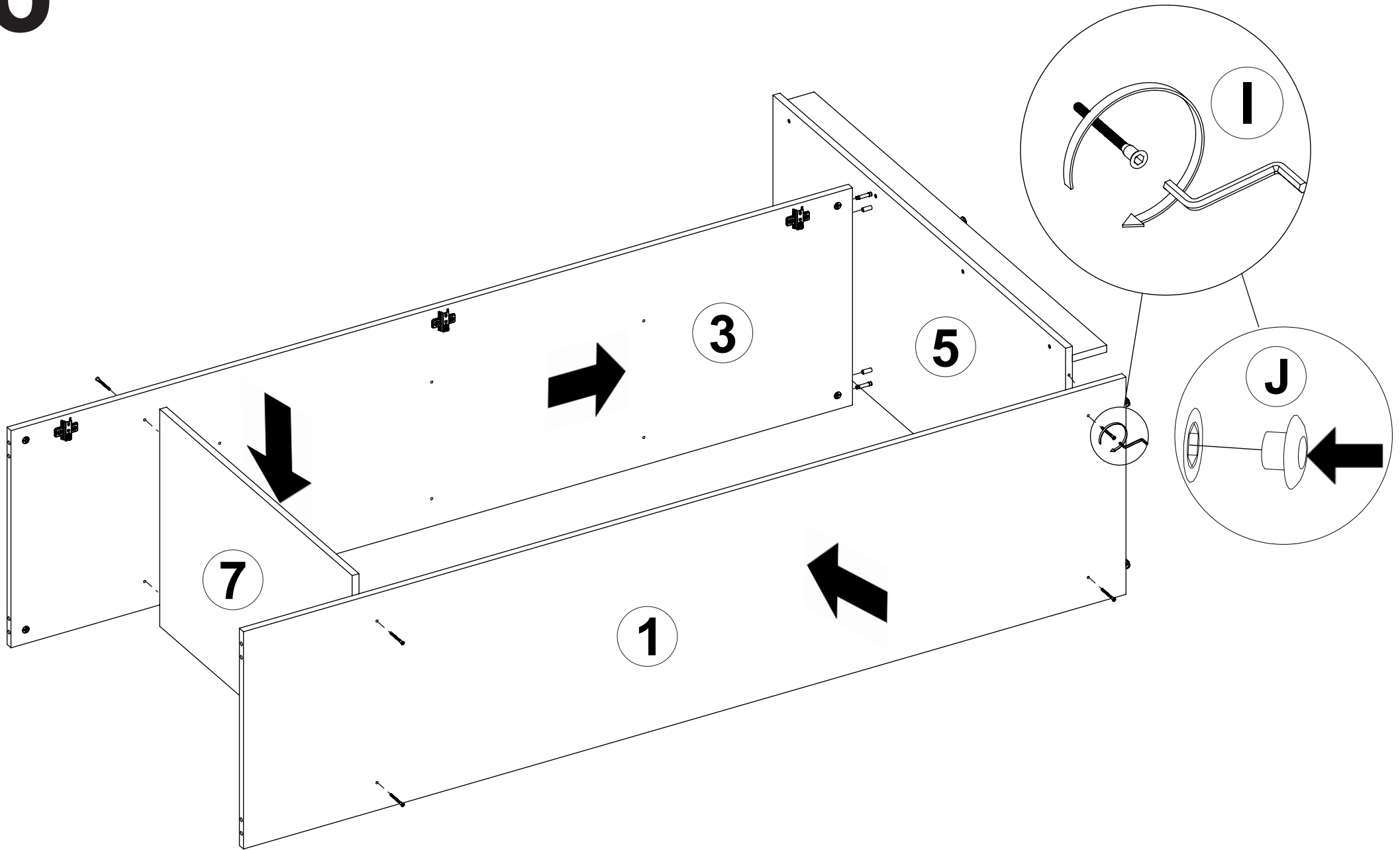




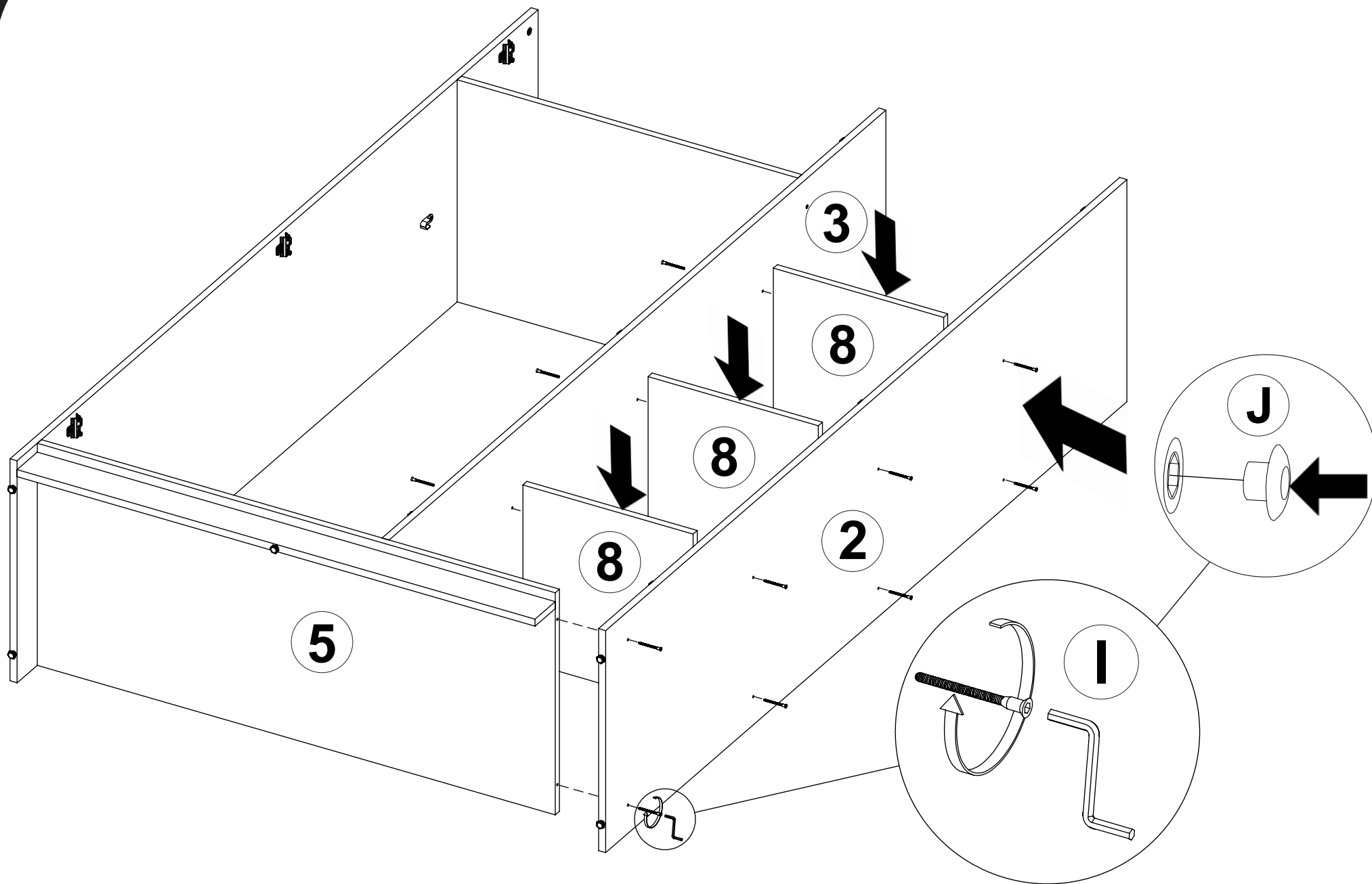
# 5



# 6

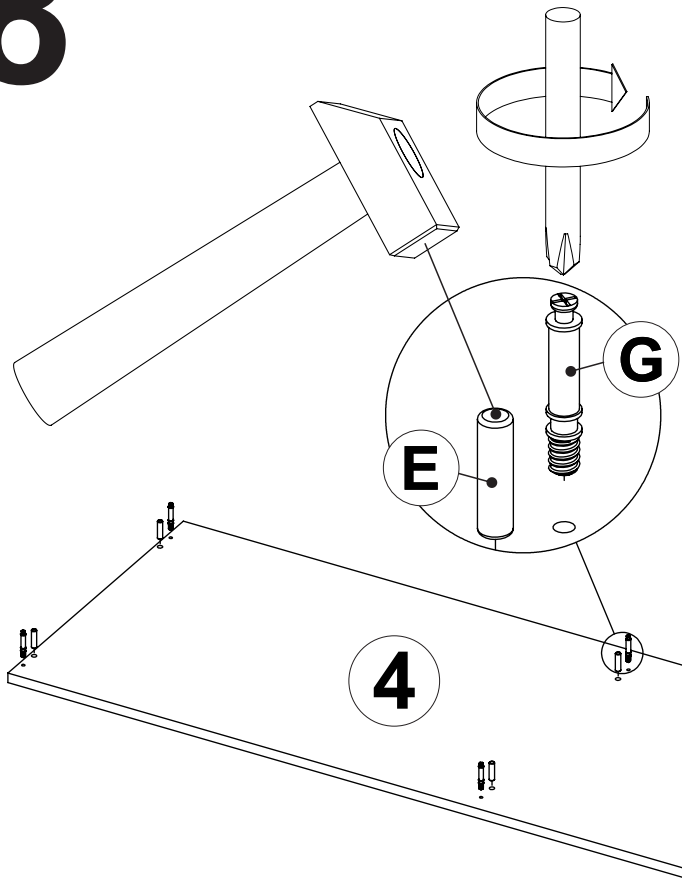


# 7

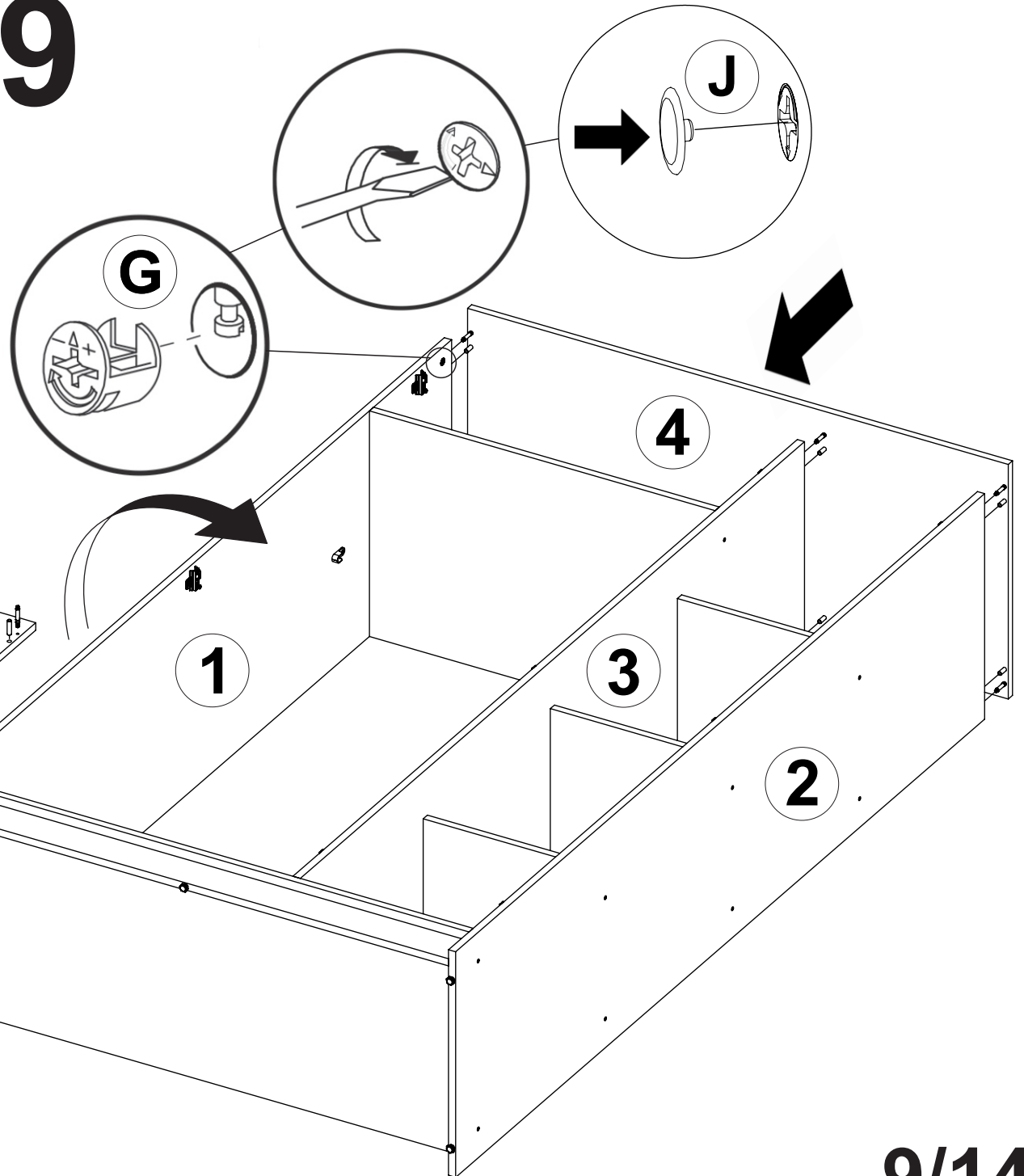




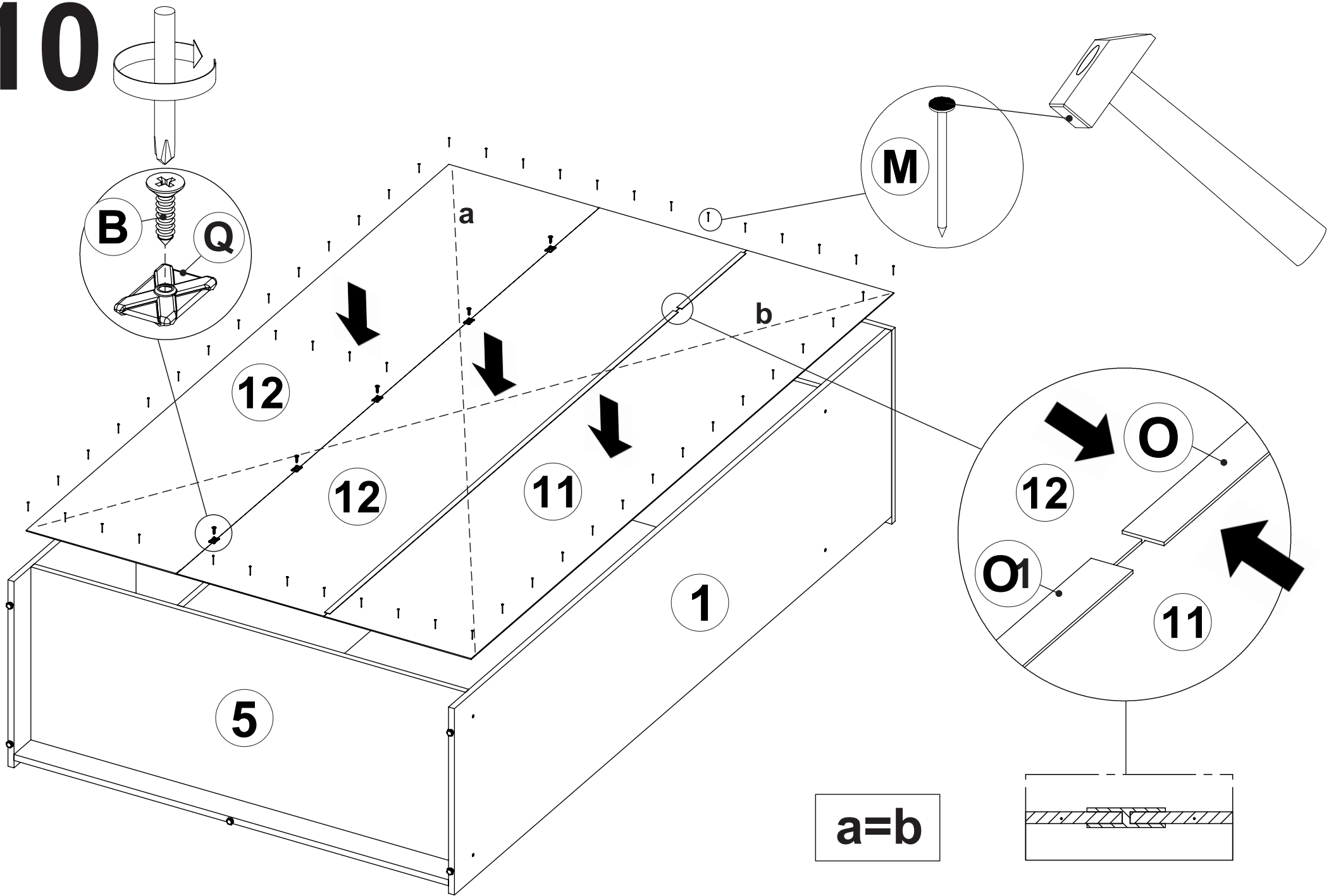
# 8



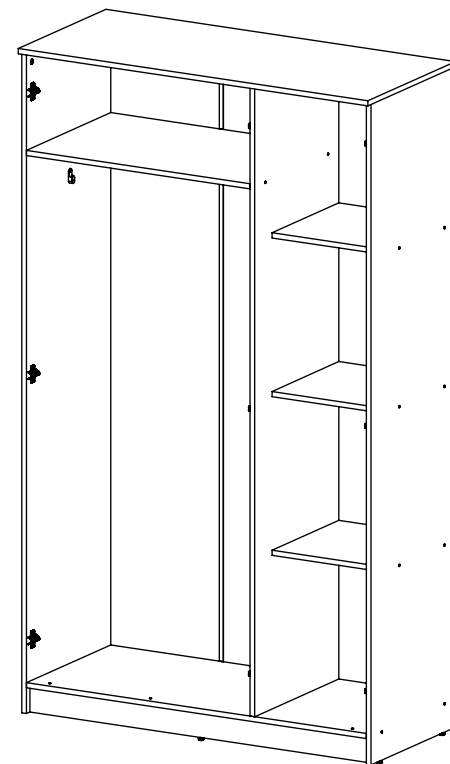
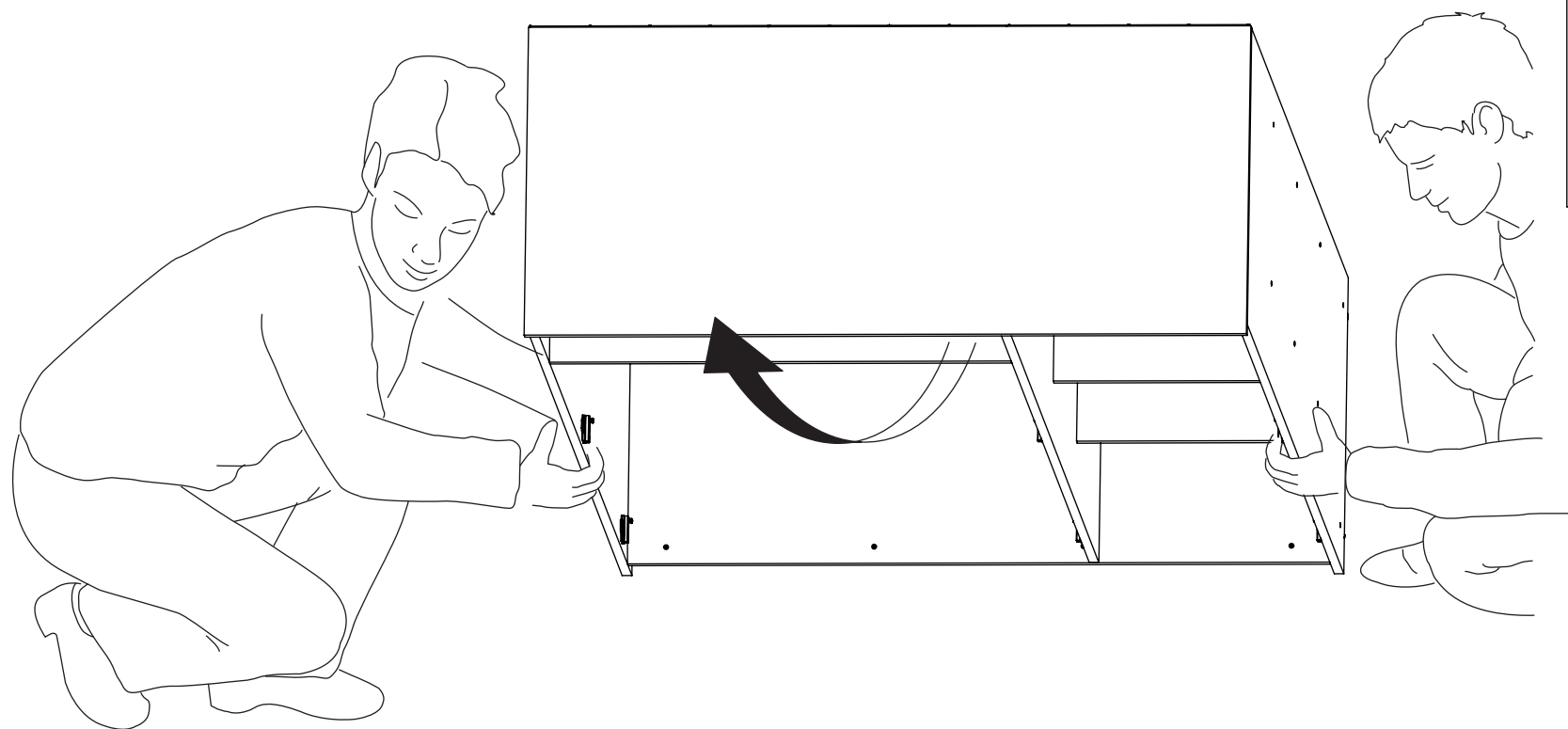
# 9



# 10

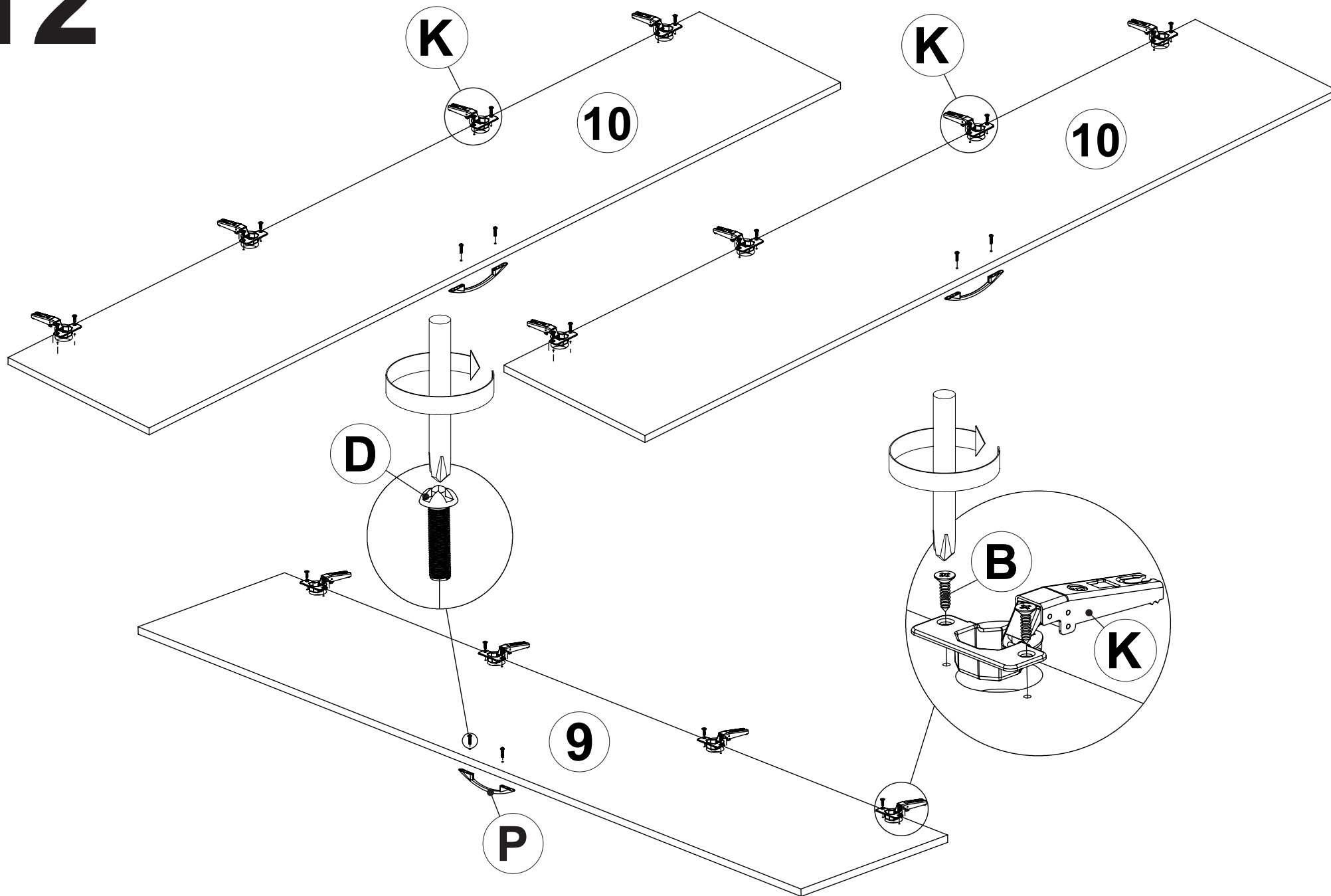


# 11

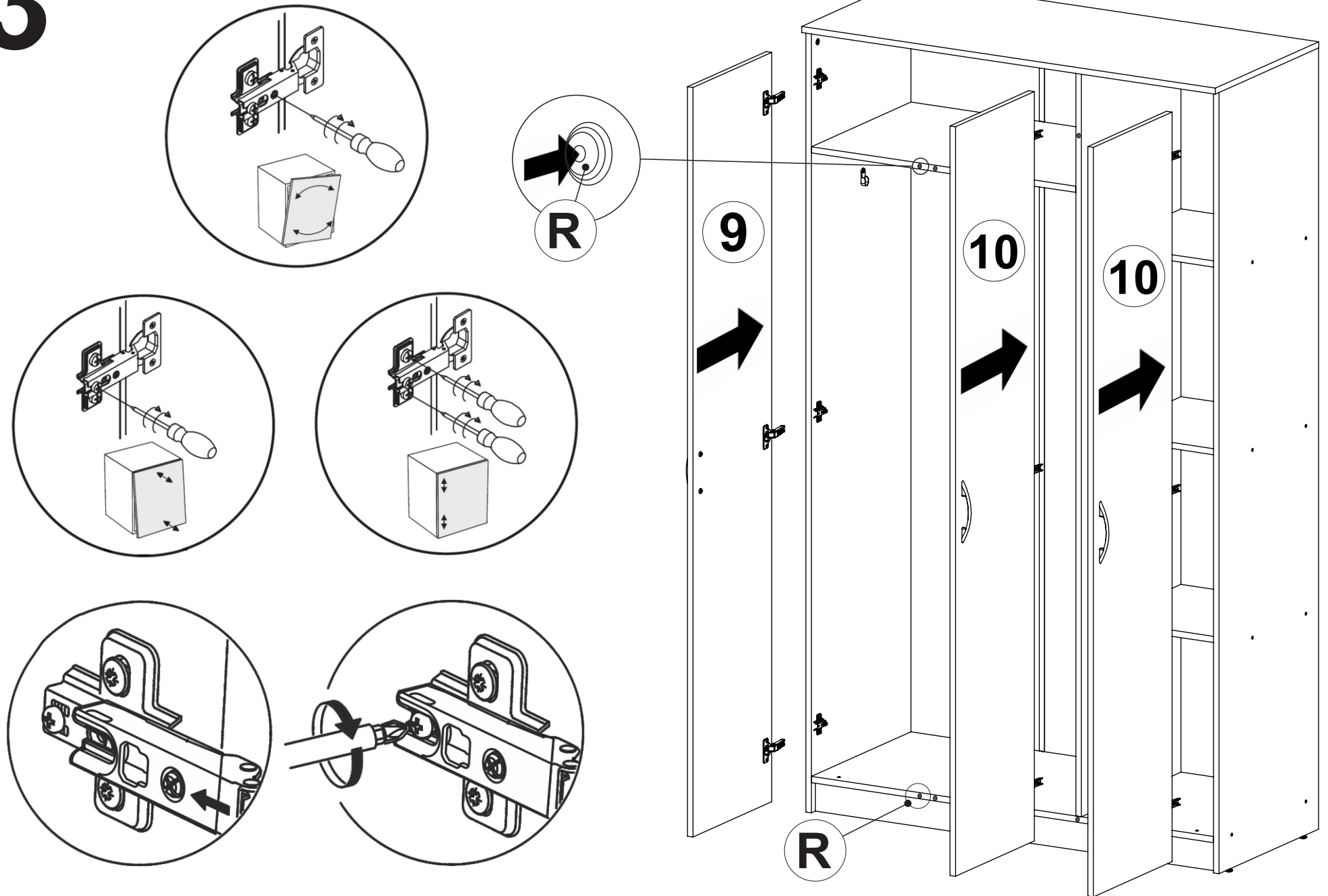


11/14

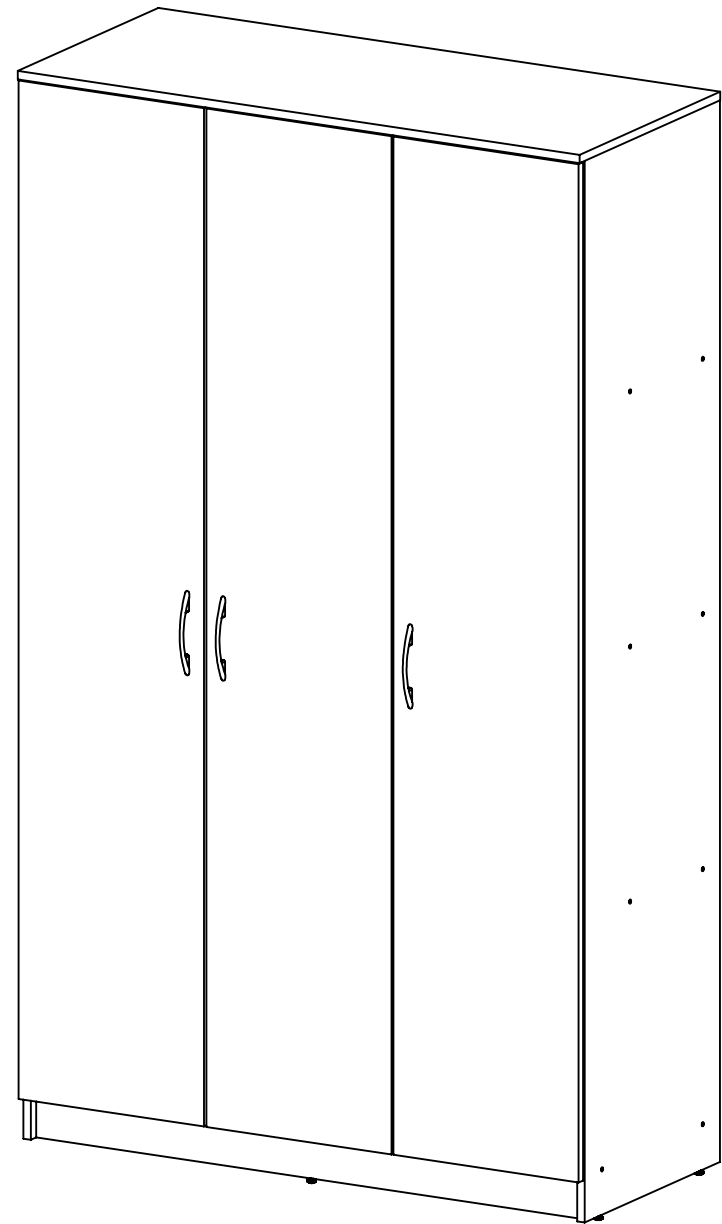
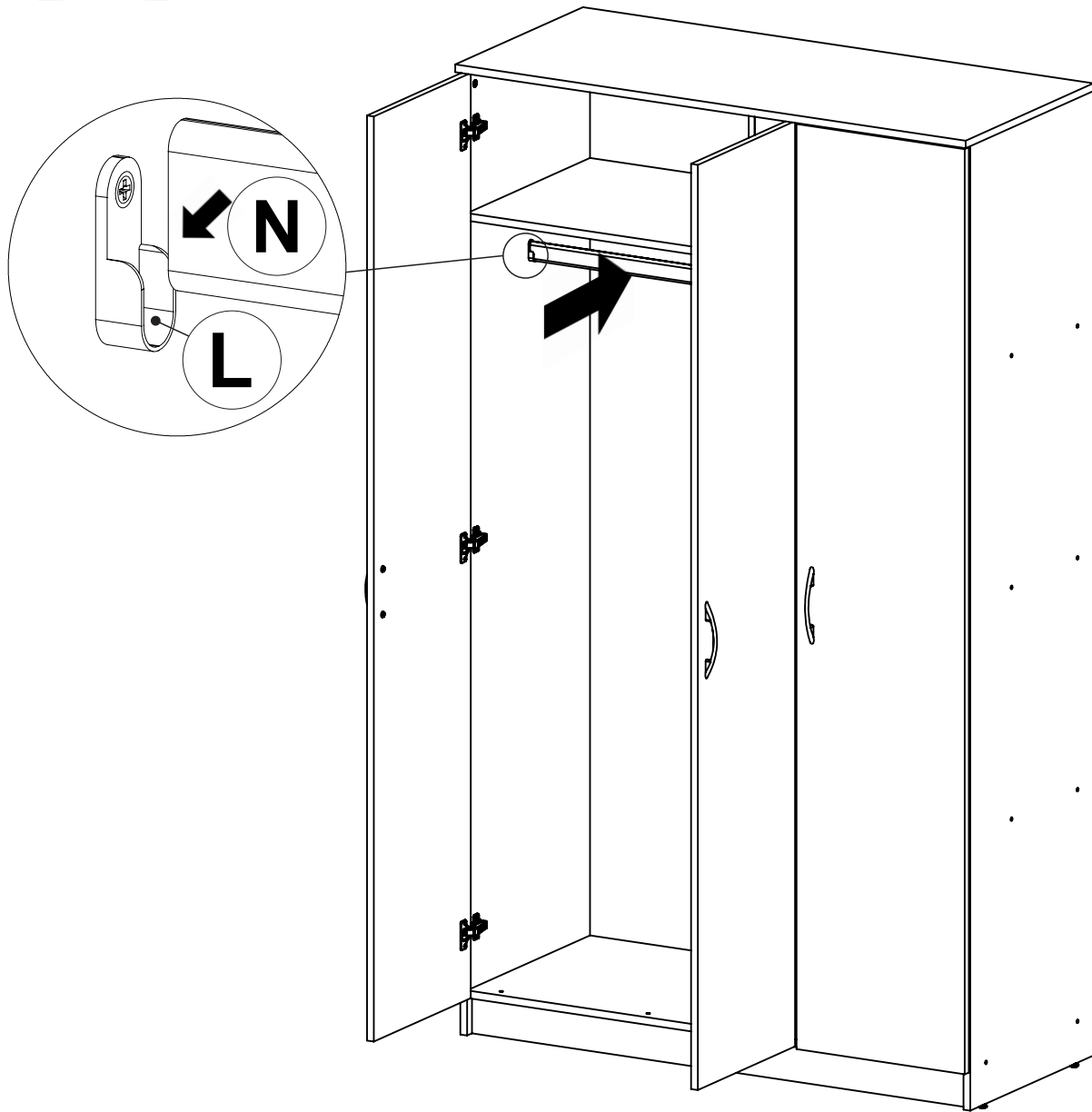
# 12



# 13



# 14



14/14