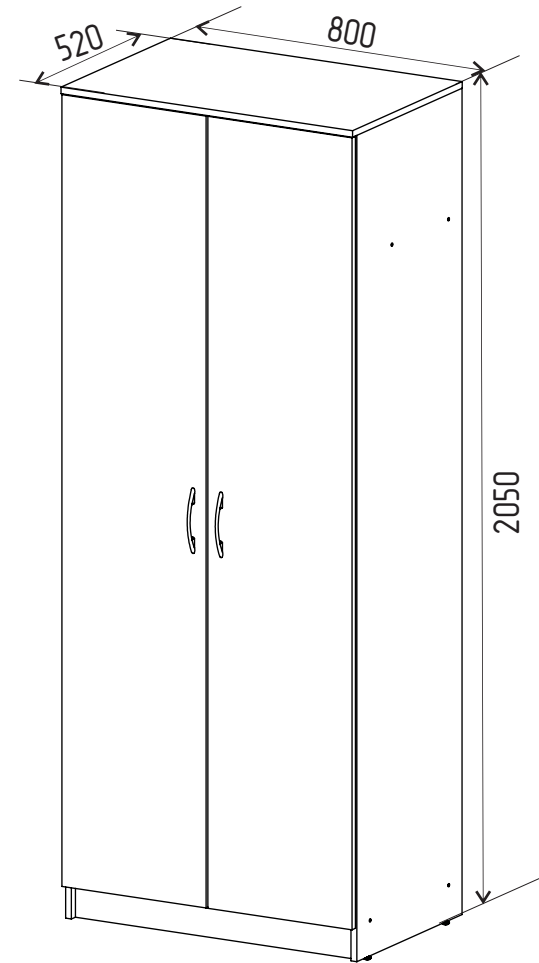









# Simple 2D

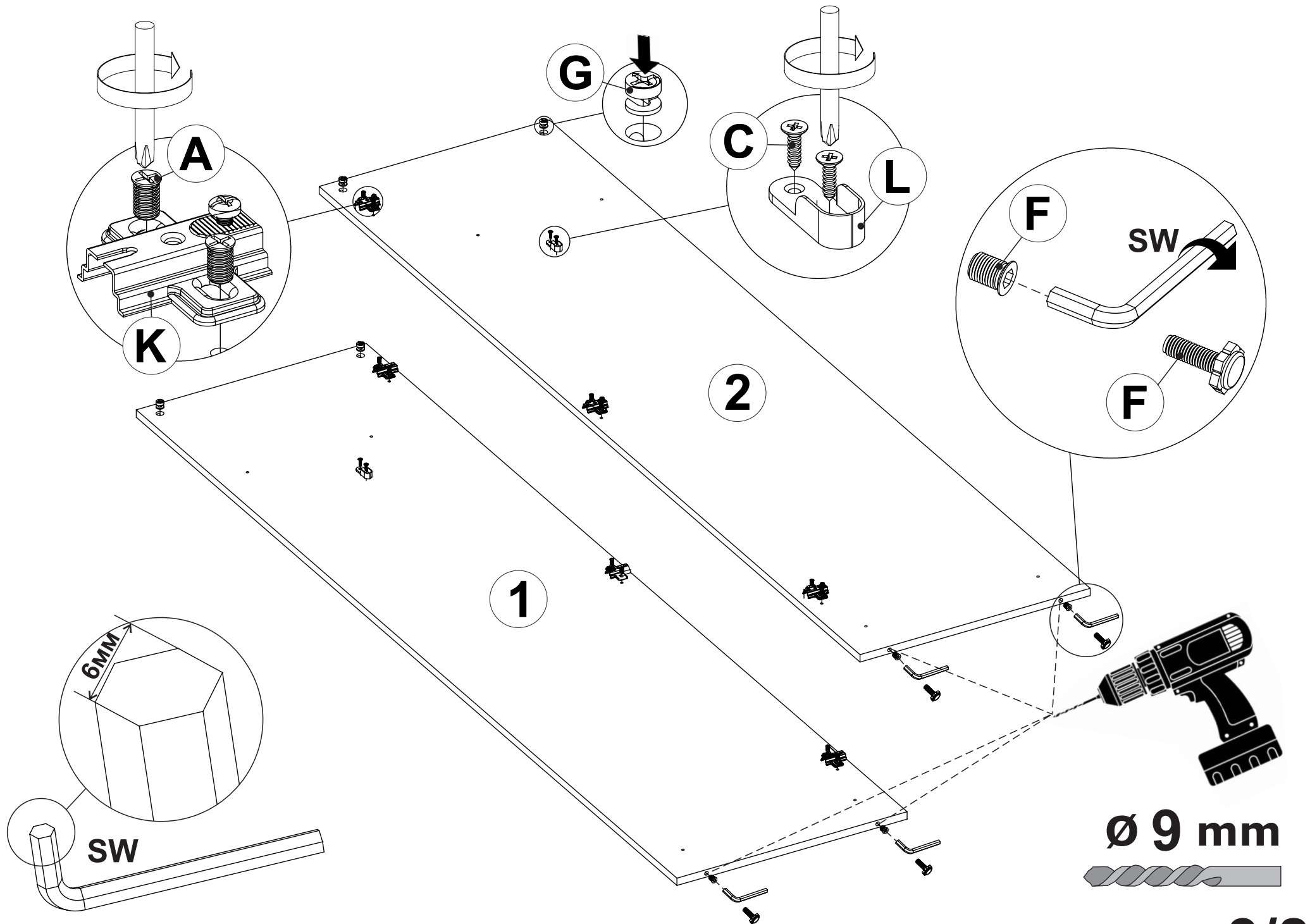
## 2050/520/800



<b>A</b>  x12	<b>B</b> 4x16  x12	<b>C</b> 3,5x16  x6	
<b>D</b> 4x20  x4	<b>E</b>  x4	<b>F</b>  x4	
<b>G</b>  x4	<b>H</b>  x4	<b>I</b>  x12	
<b>J</b>  x12	<b>K</b>  x6	<b>L</b>  x2	
<b>M</b>  40g	<b>N</b>  764mm x1	<b>O</b> 300mm x1	<b>O1</b> 1624mm x1
<b>P</b>  x2	<b>Q</b>  x4		

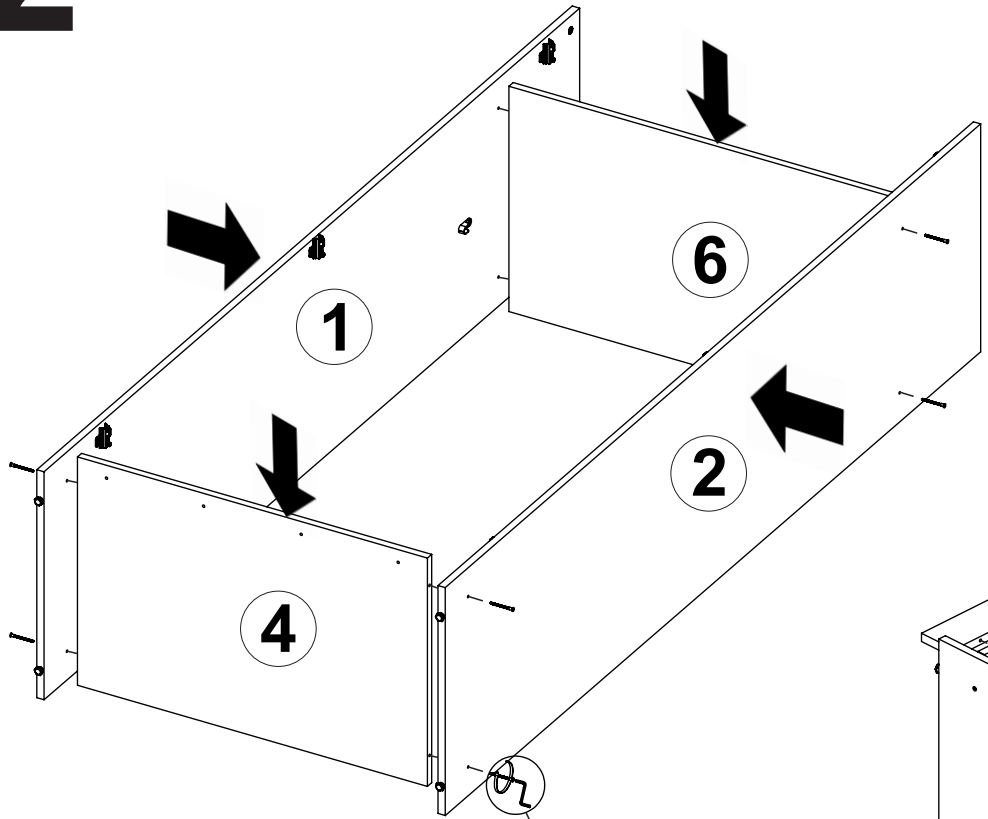
①	2035x501x16	1
②	2035x501x16	1
③	801x521x16	1
④	768x501x16	1
⑤	768x79x16	1
⑥	768x501x16	1
⑦	1952x396x16	1
⑧	1952x396x16	1
⑨	1968x398x2,5	2

# 1

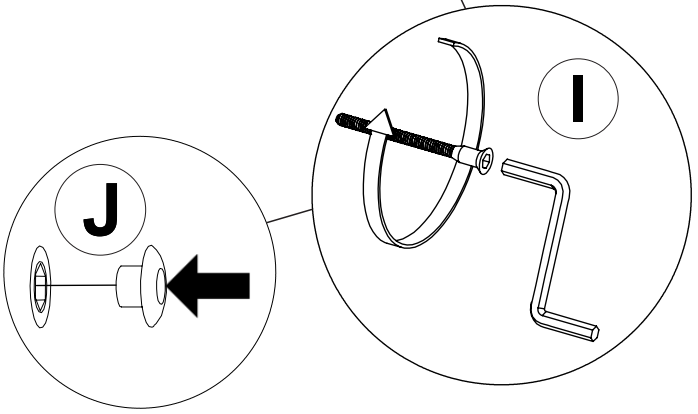
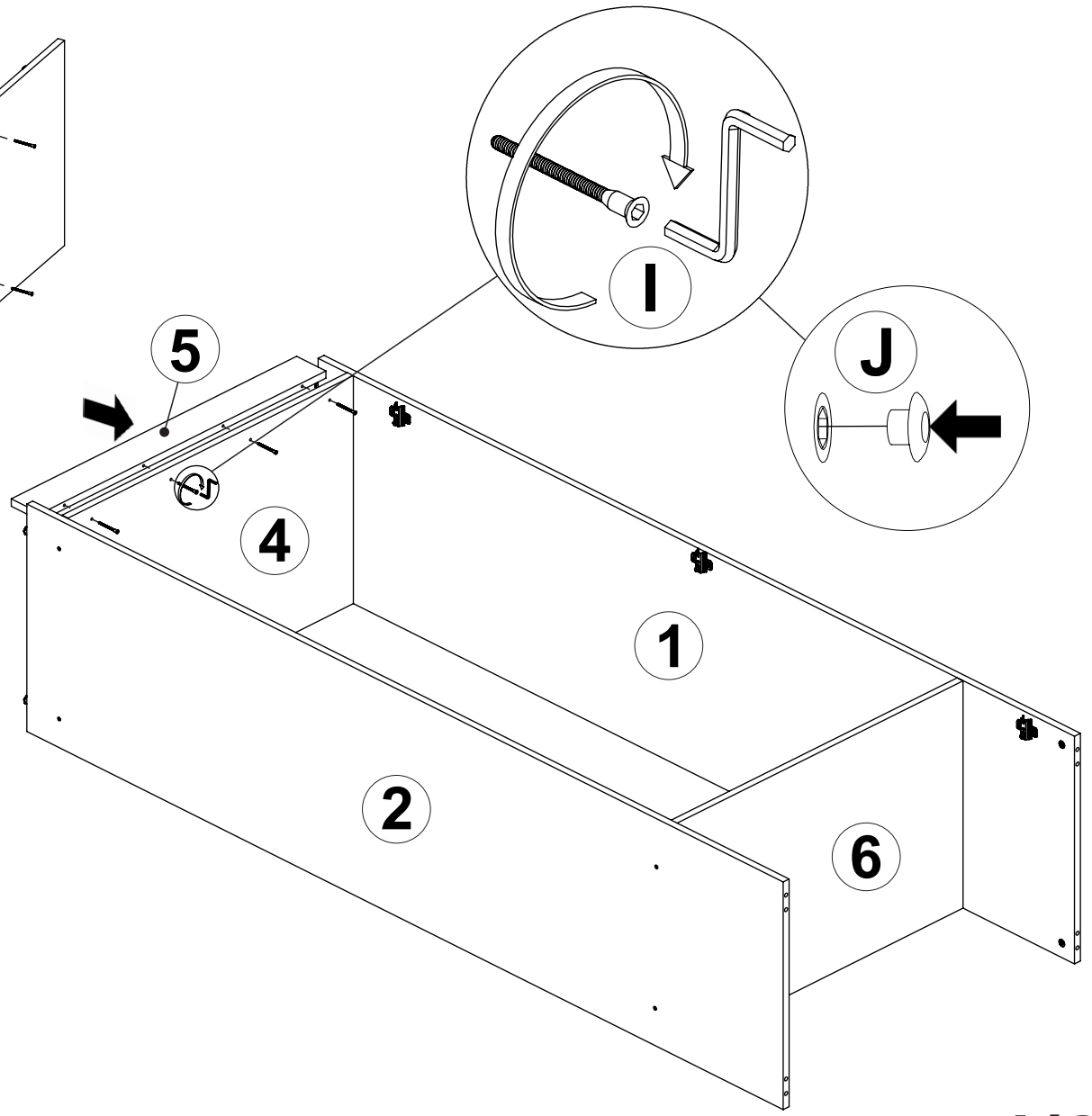


# 3/8

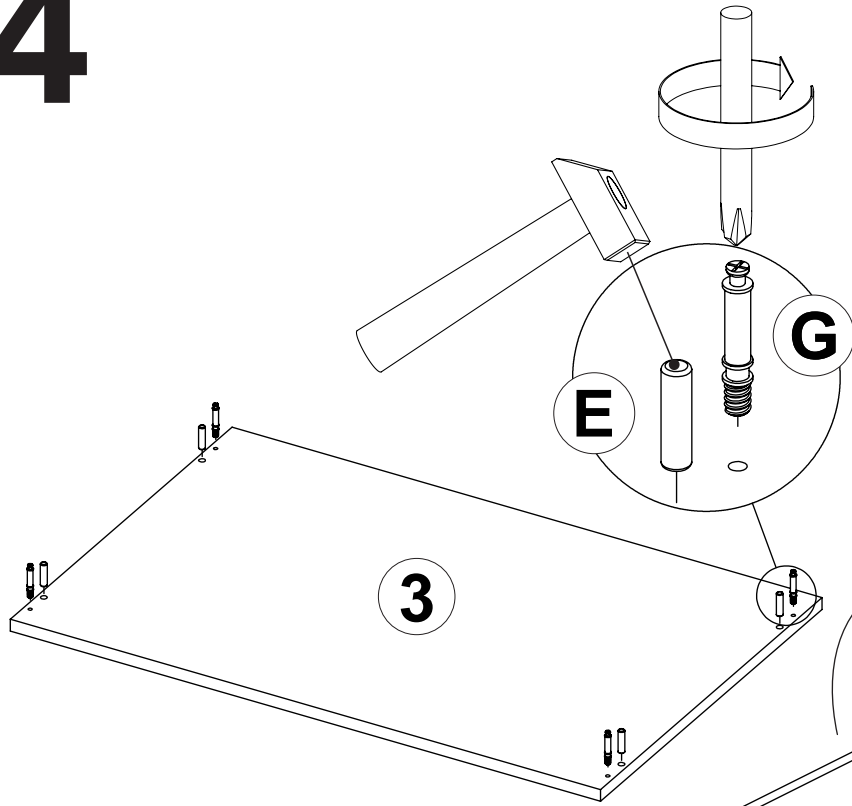
# 2



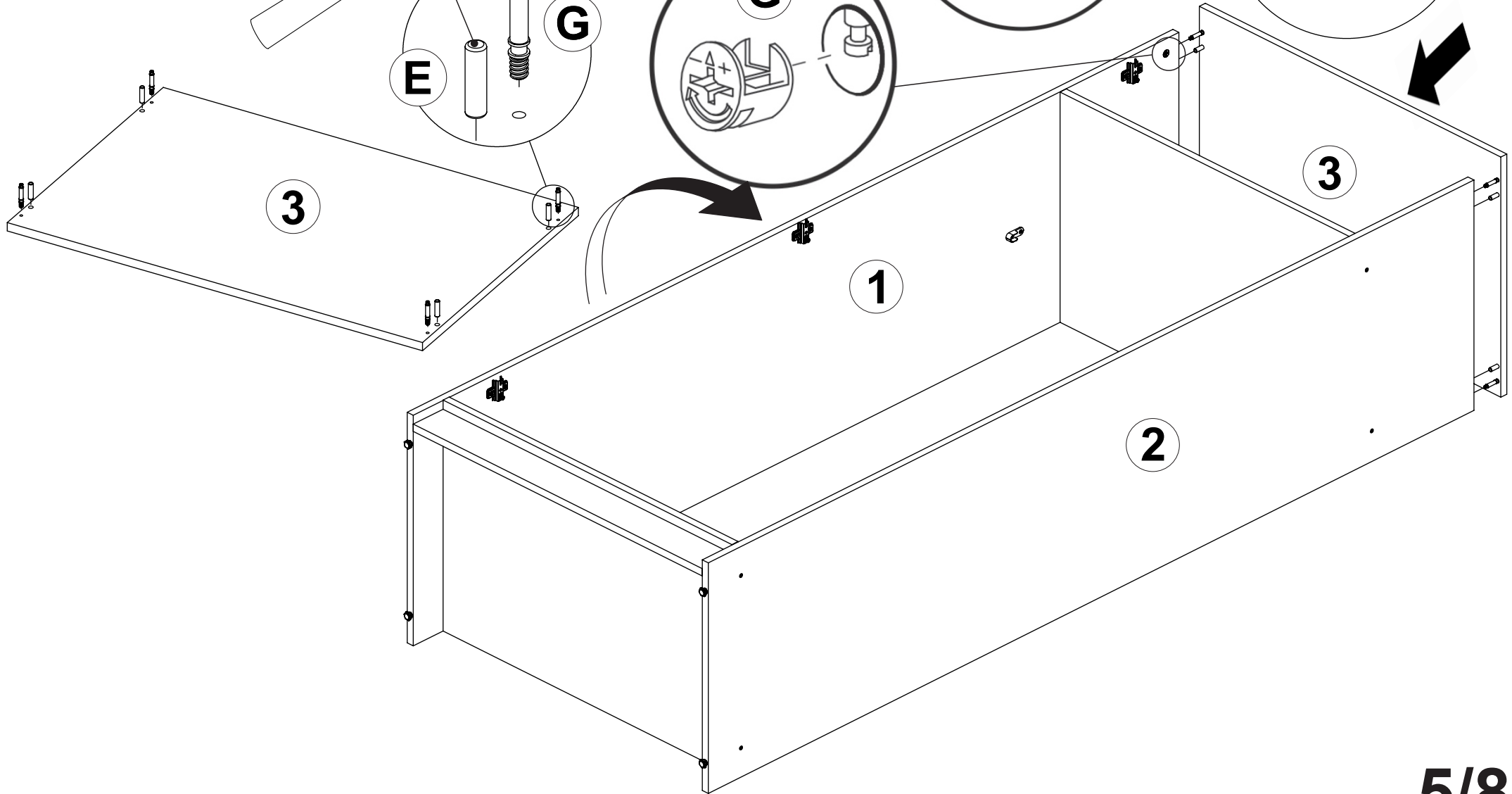
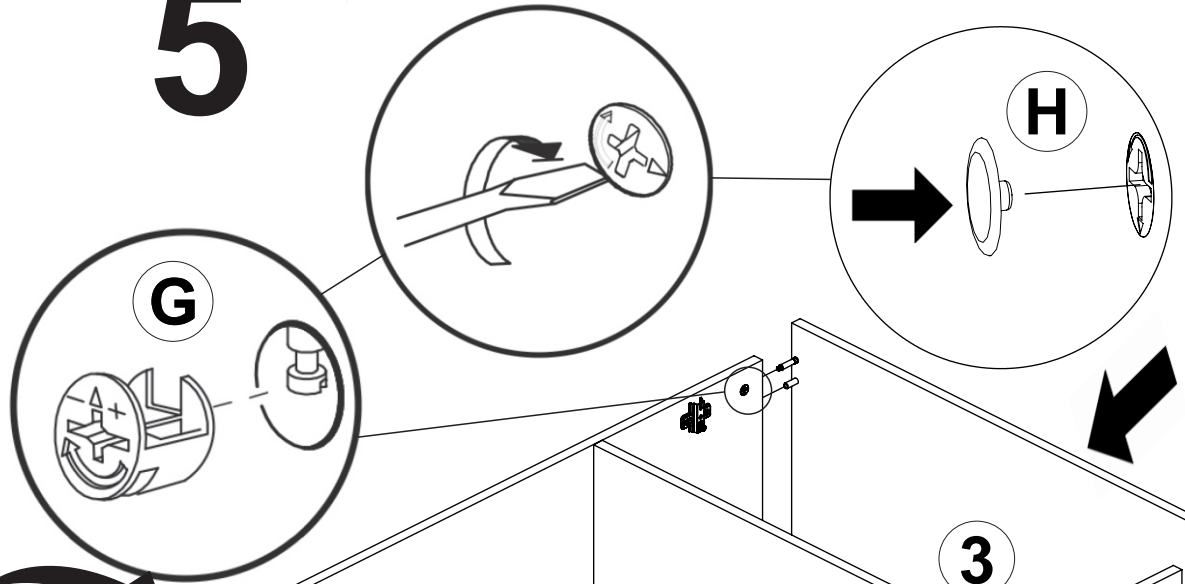
# 3



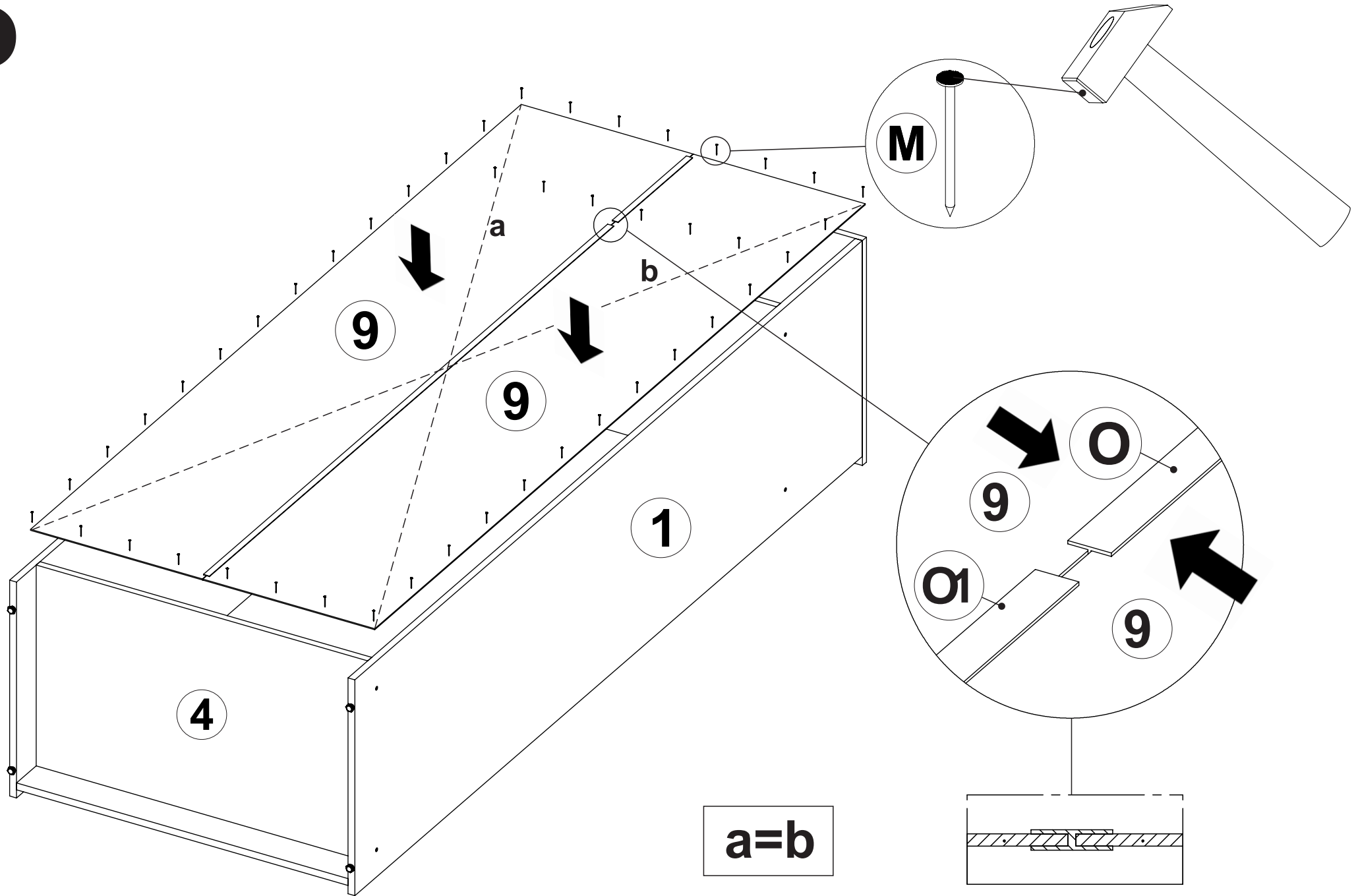
# 4



# 5

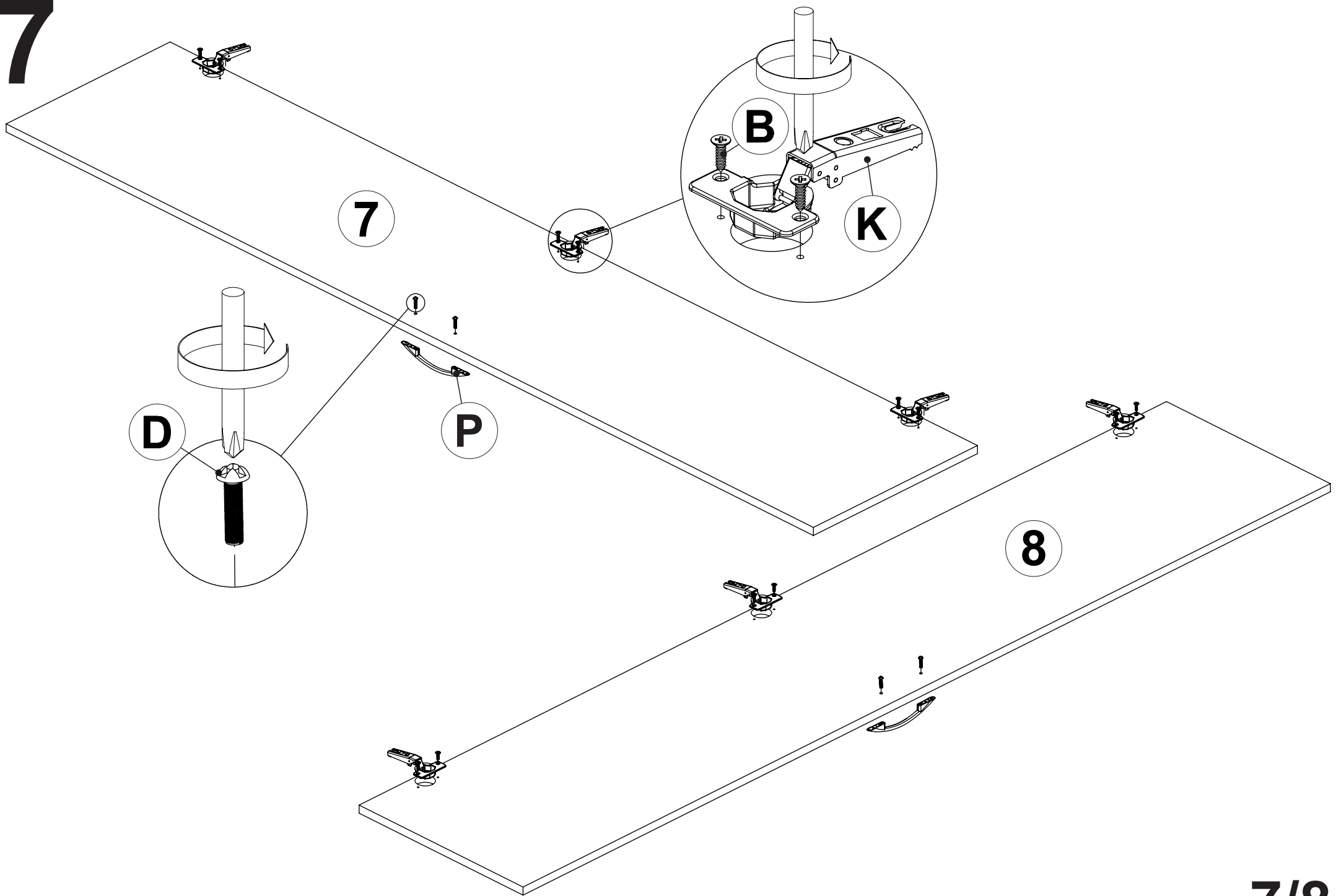


# 6



$$a=b$$

7



# 8

