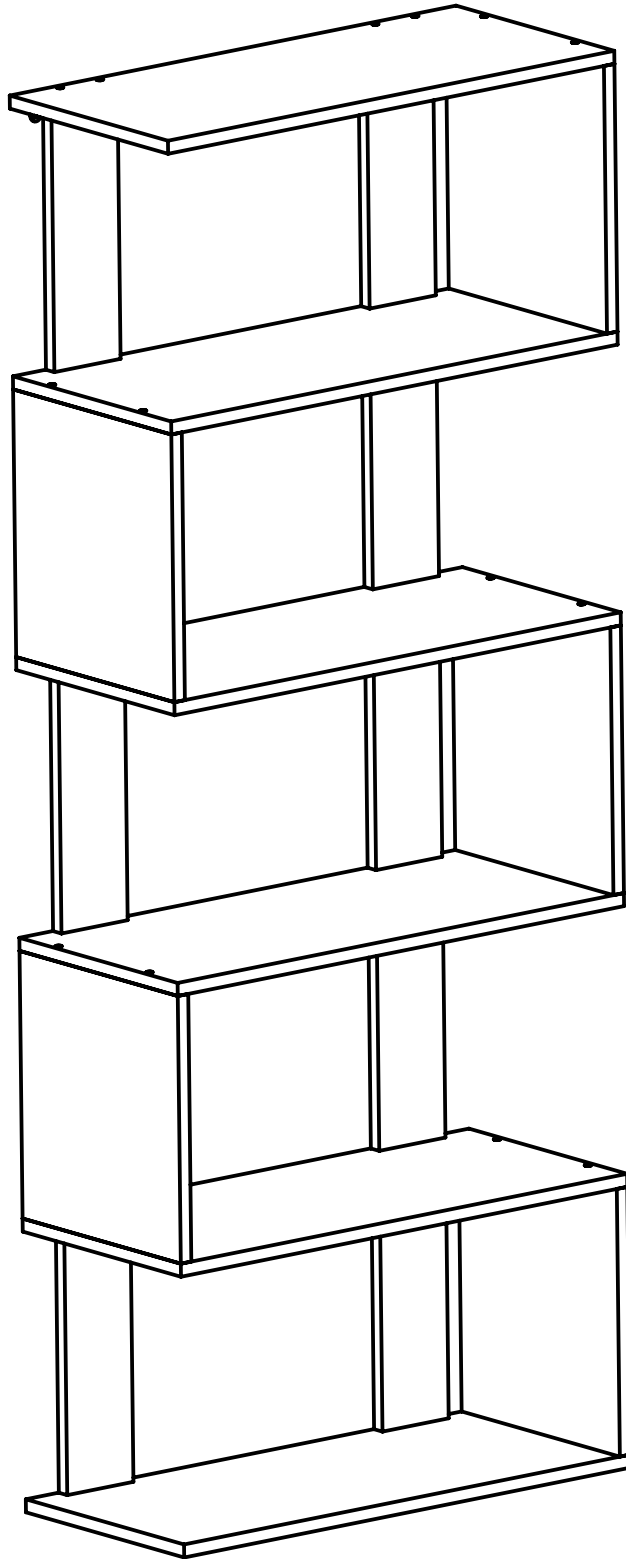
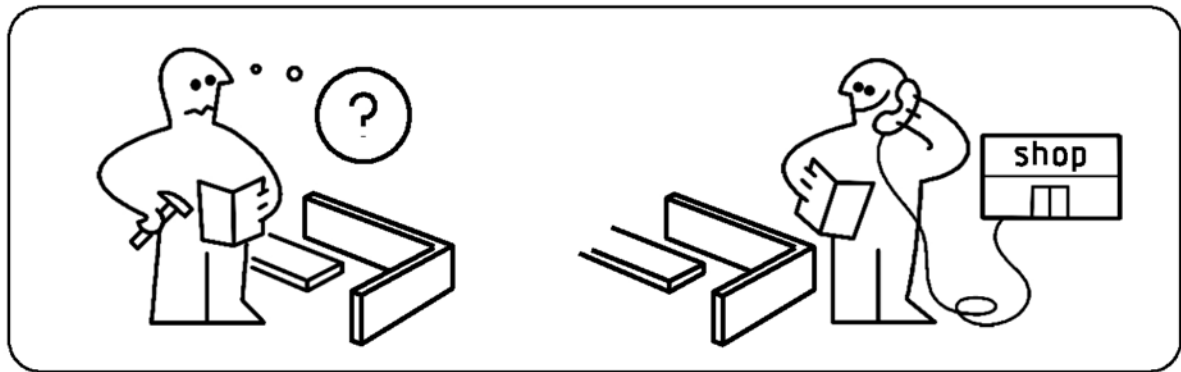
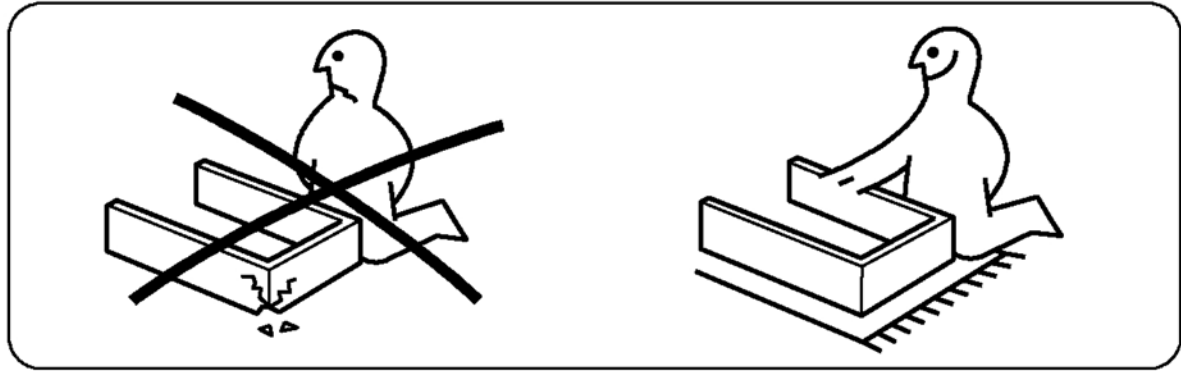
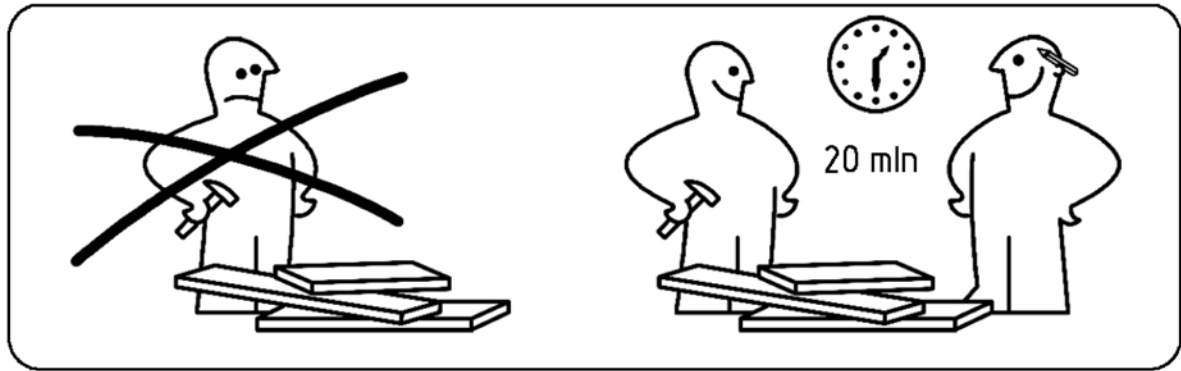
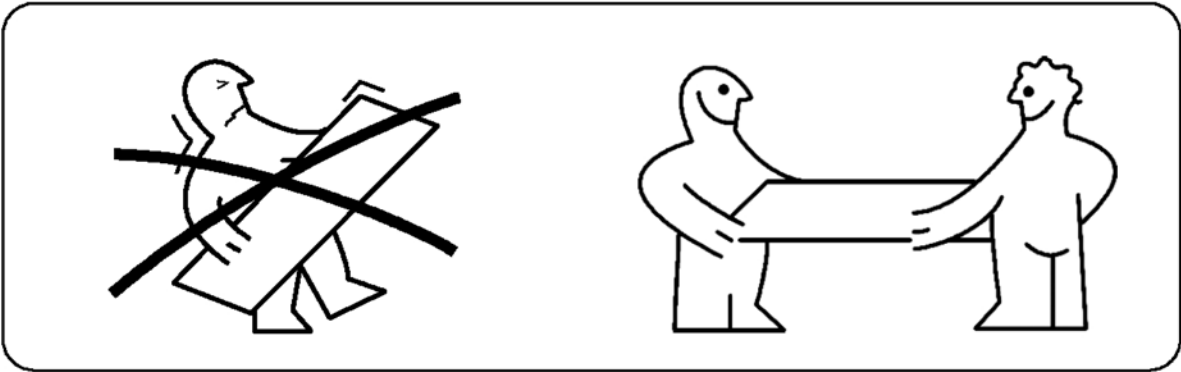
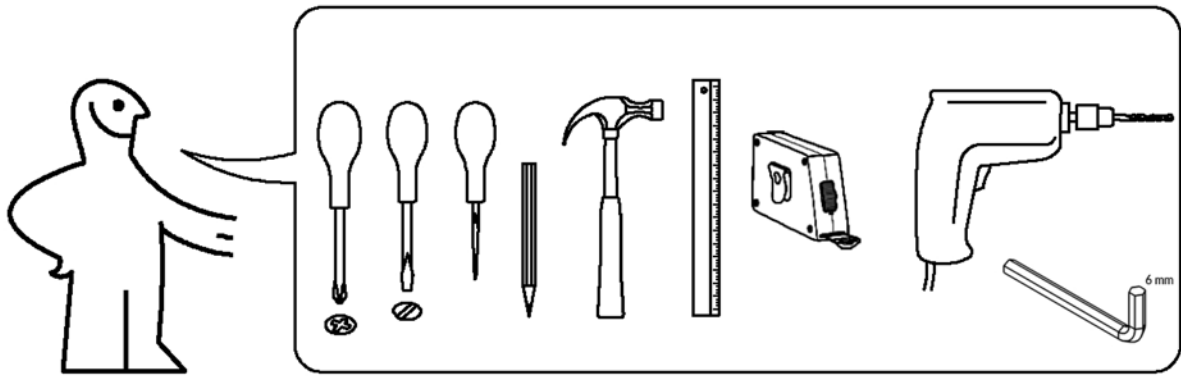


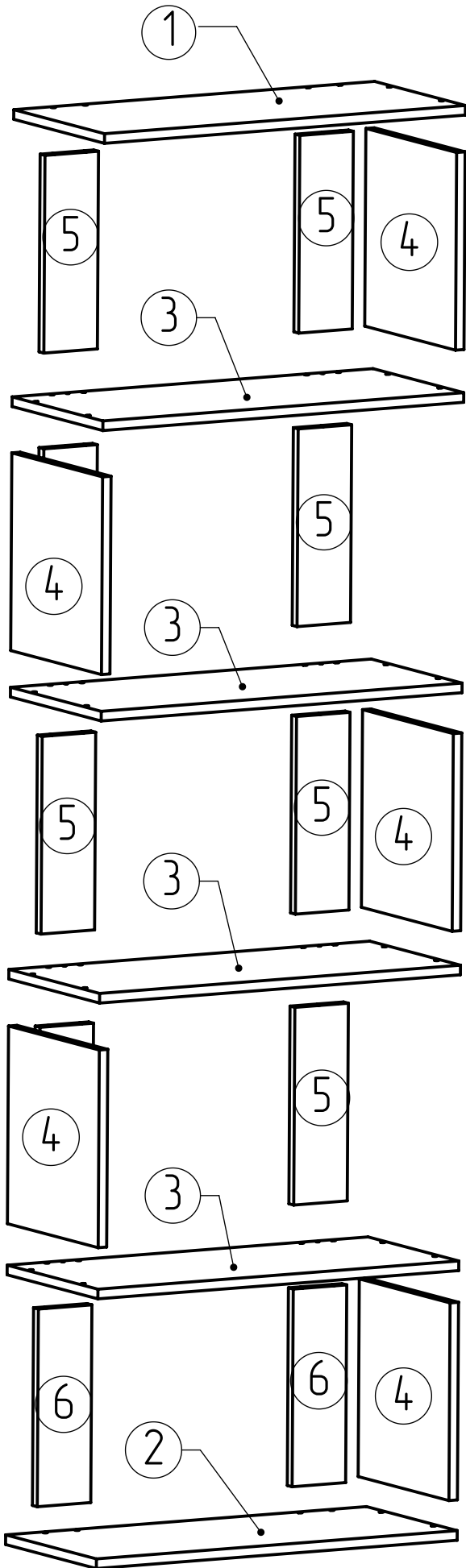
Shelf REGAL N°2





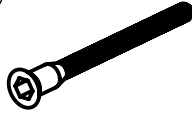



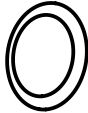




Length - 680 MM
Height - 1760 MM
Width - 300 MM



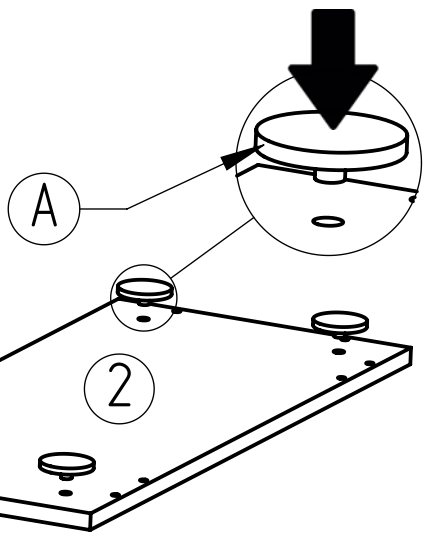
Product specification



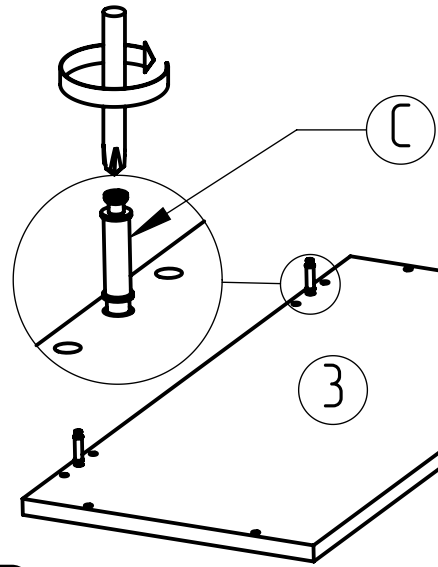
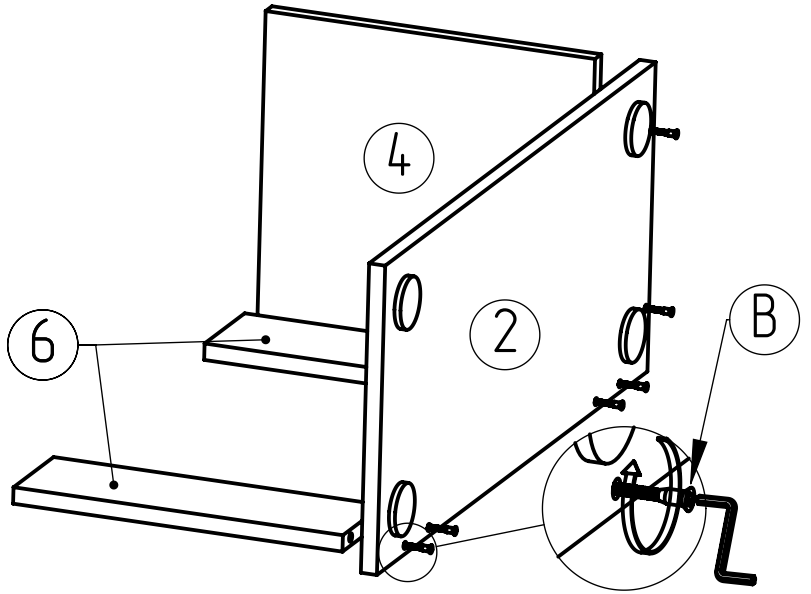
Nº	axb	x	Paket
①	681x301	1	1/1
②	681x301	1	1/1
③	681x301	4	1/1
④	328x301	5	1/1
⑤	328x101	8	1/1
⑥	328x101	2	1/1
⑦		1	1/1

(A)  x4	(B)  x44
(B.1)  x44	(C)  x8
(C.1)  x8	(C.2)  x8
(D)  x2	(E)  x2
(E.1)  x4	(F)  x1

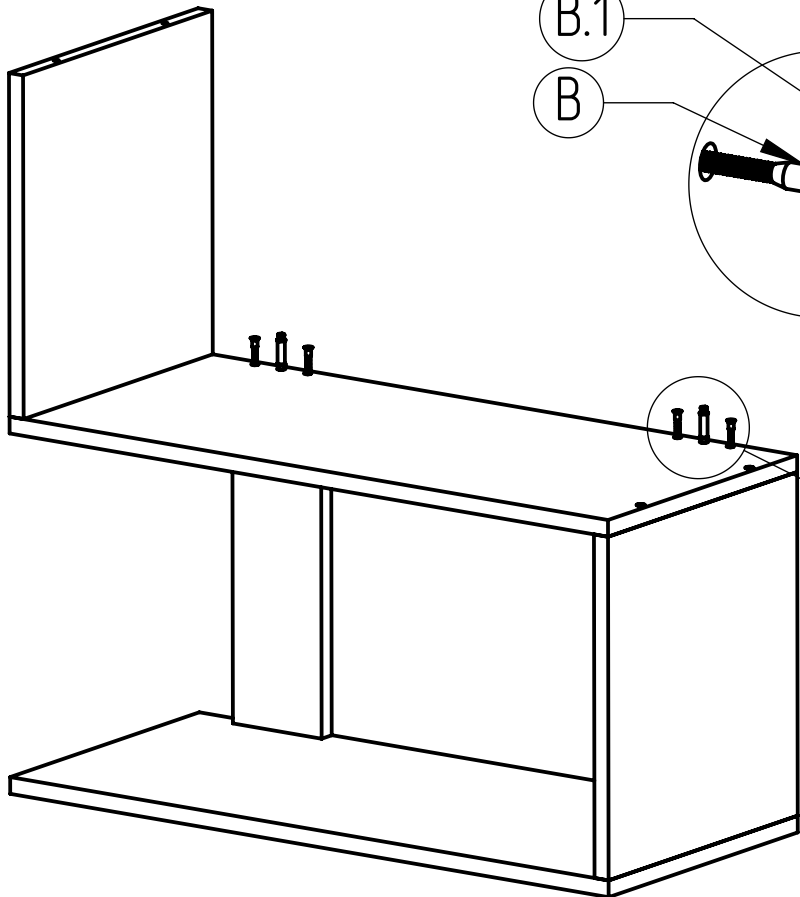
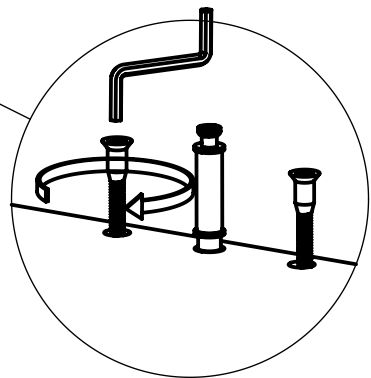
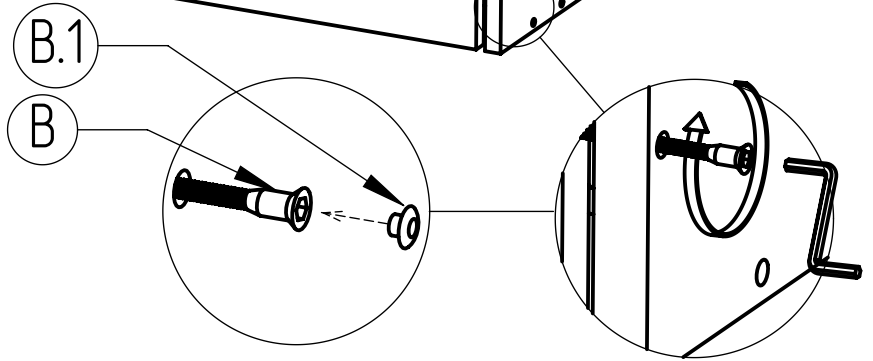
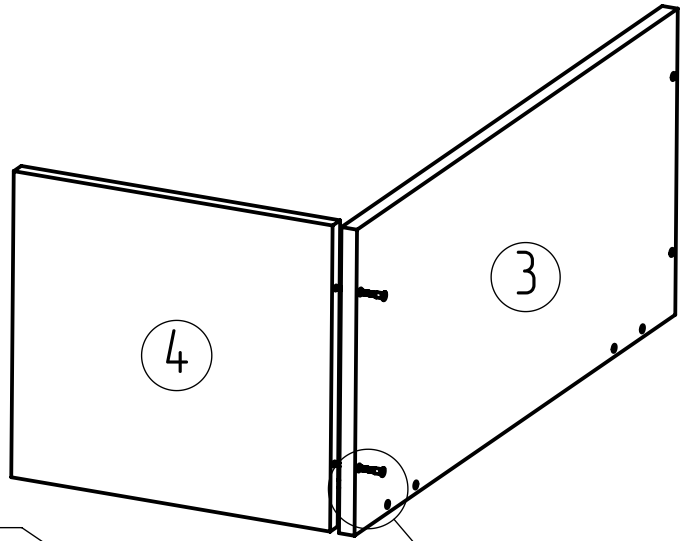
1



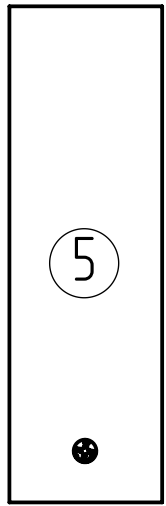
2



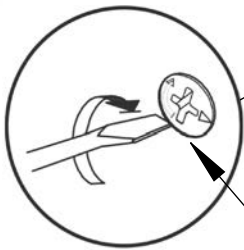
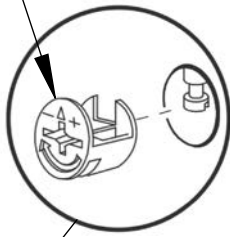
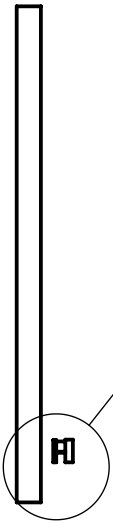
3



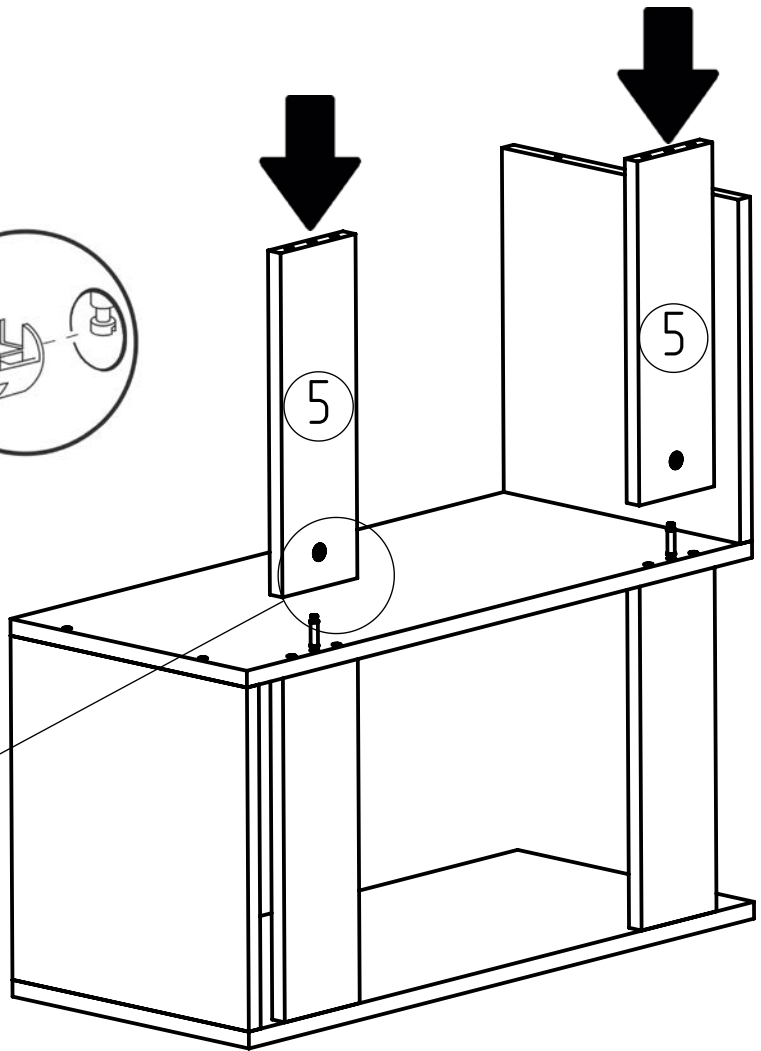
4



C.1

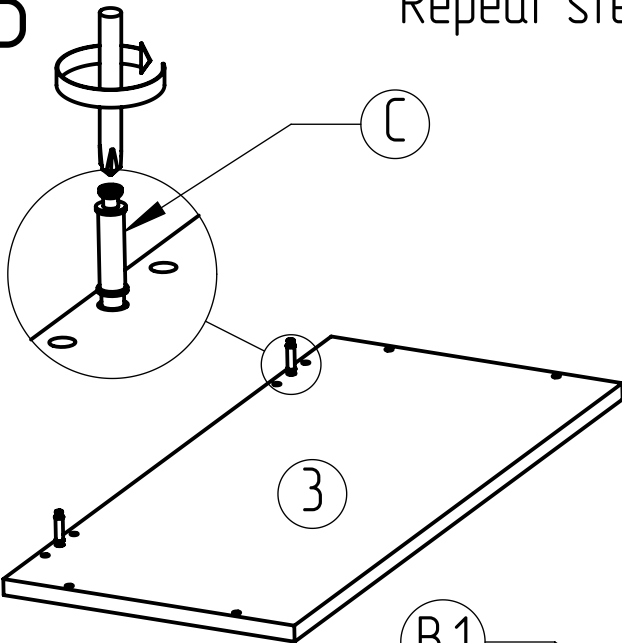


C.1



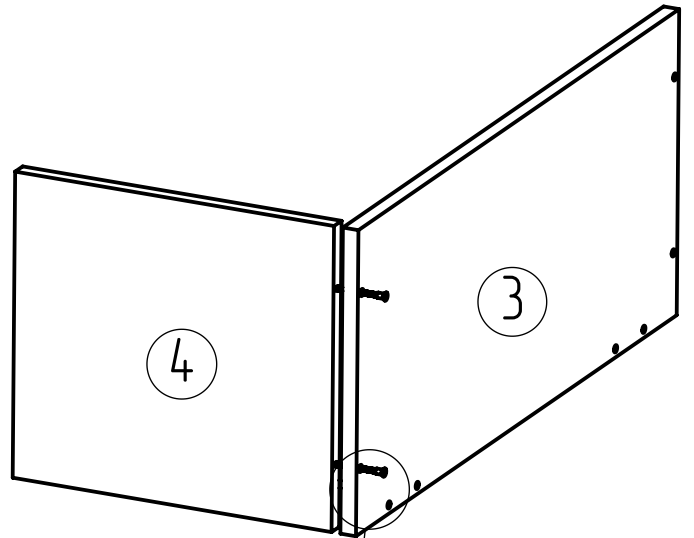
5

Repeat step 5 3 times



C

3

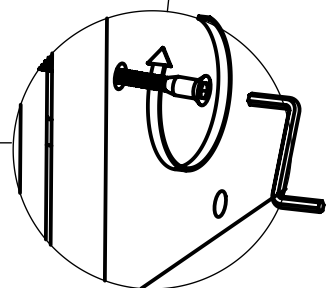
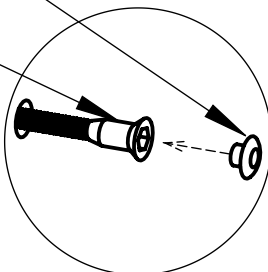


4

3

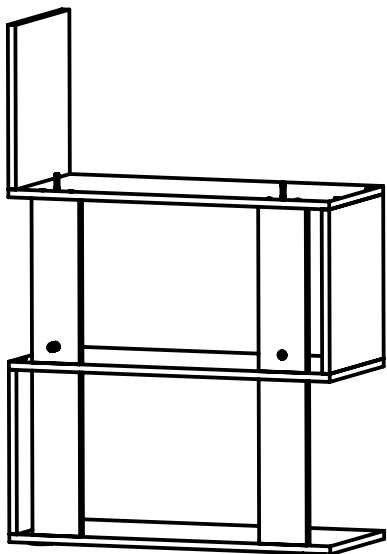
B.1

B

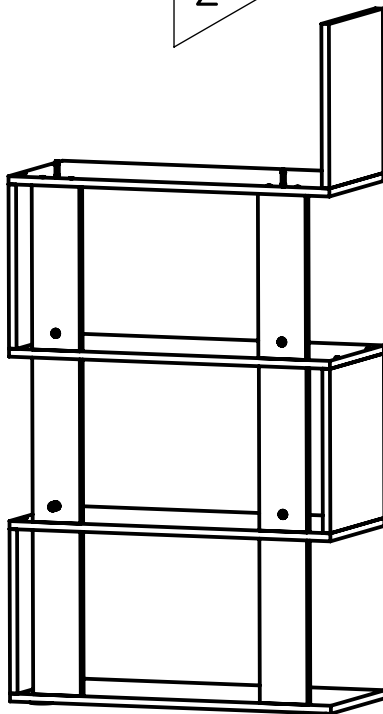


6

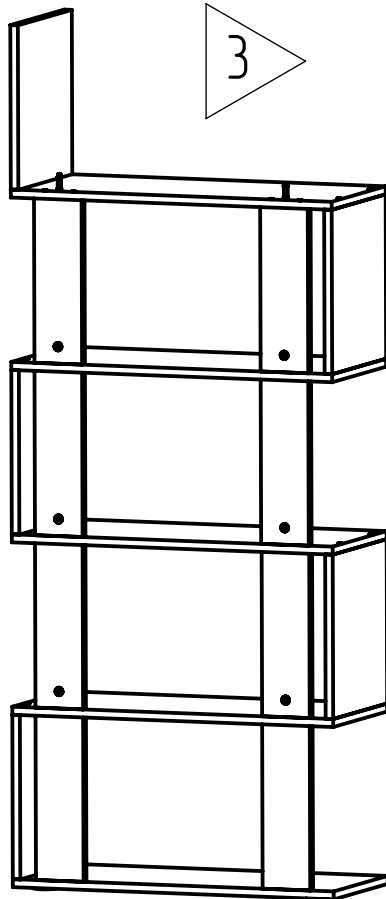
1



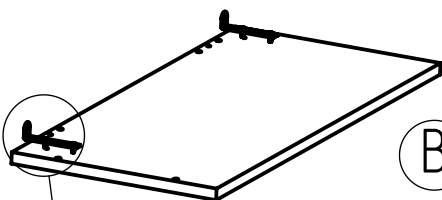
2



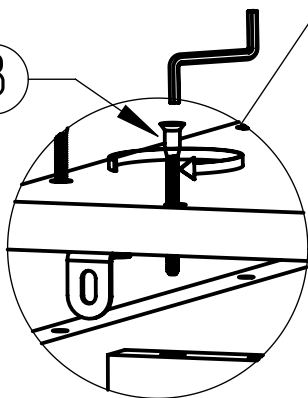
3



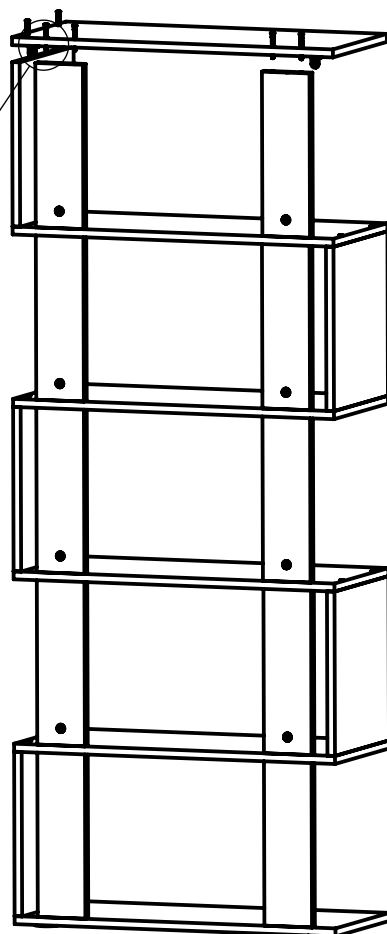
4



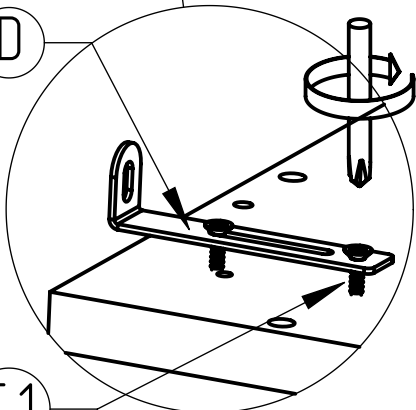
B



5



D



E.1

6

