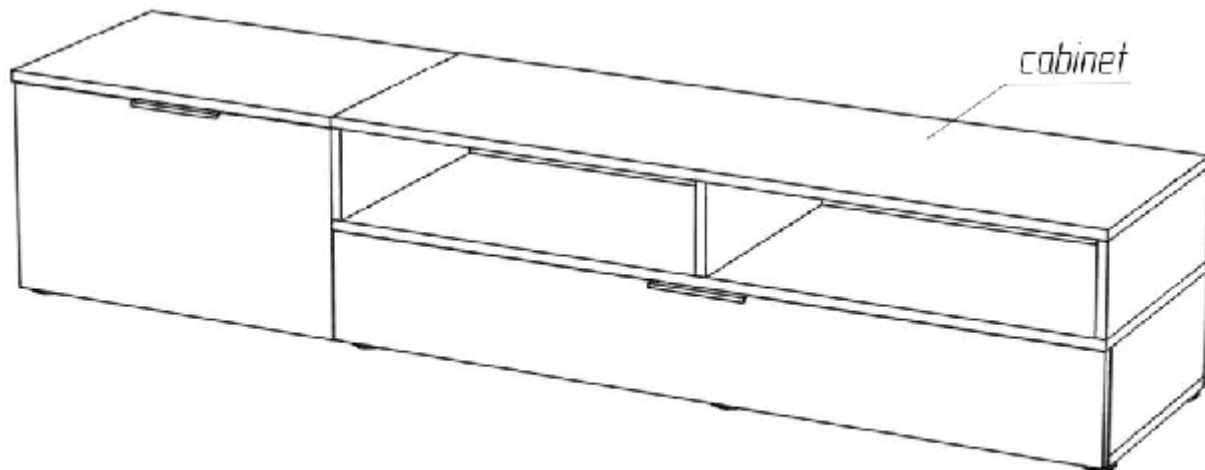
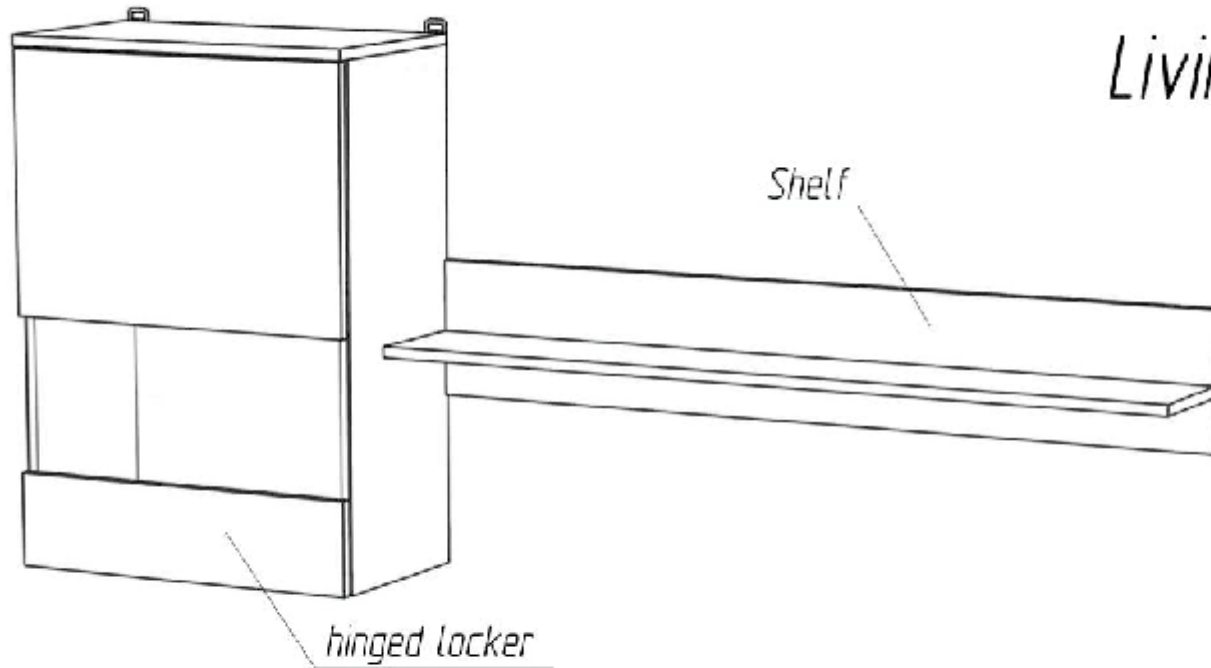
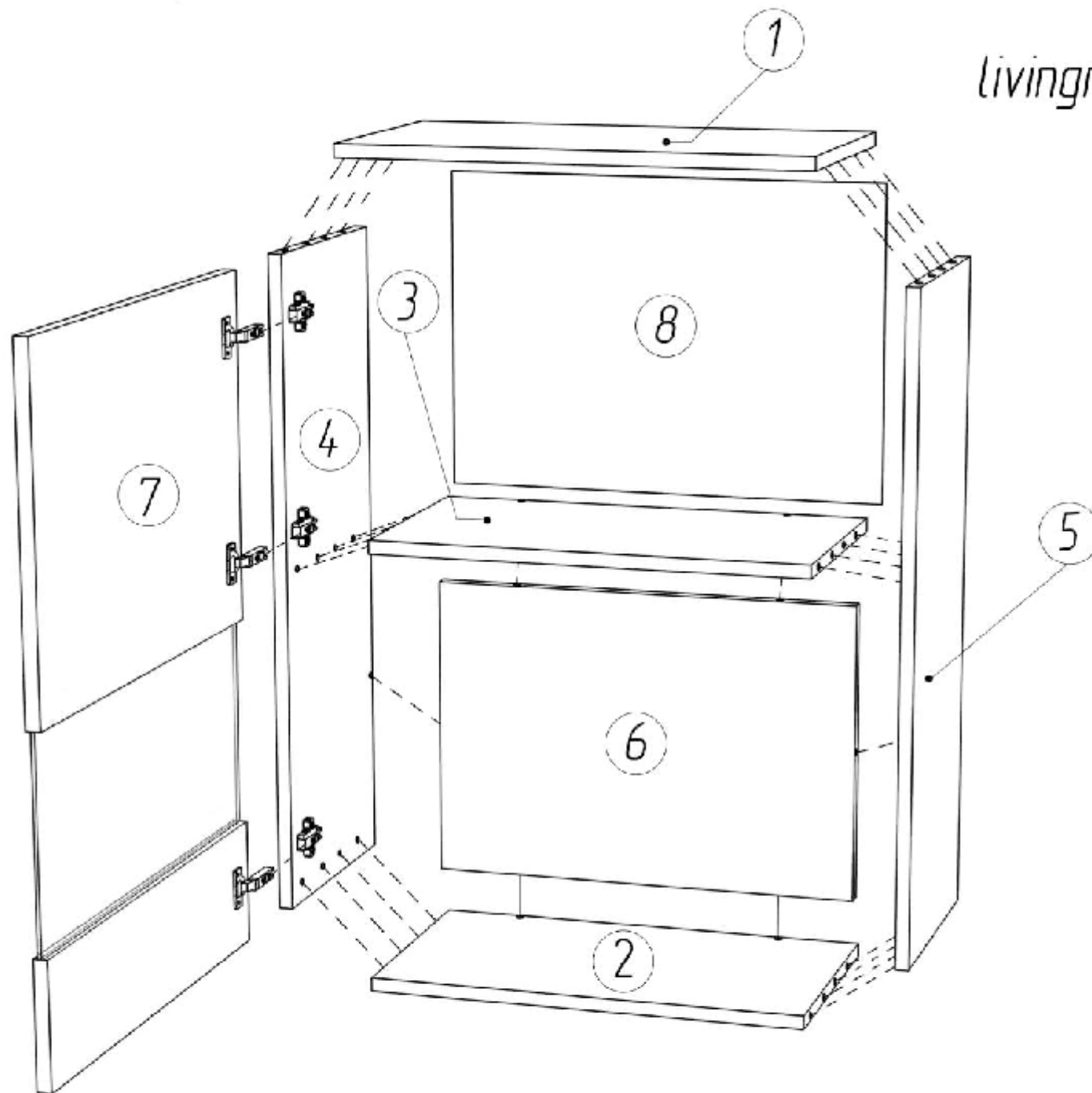


Livingroom range "Morokko"



livingroom range "Morocco"

(hinged locker assembly)



No	X
1	550*310	1
2	518*290	1
3	518*290	1
4	768*290	1
5	768*290	1
6	361*518	1
7	764*546	1
8	546*389	1

A1



x4

A2



x4

B1



x14

C1



x2

D1



x2

E1



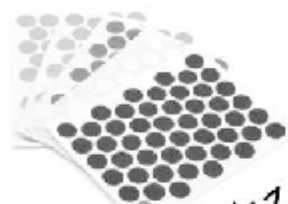
x6

F1



x14

F2



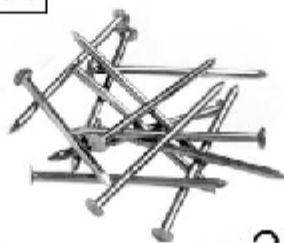
x14

G1



x12

H1



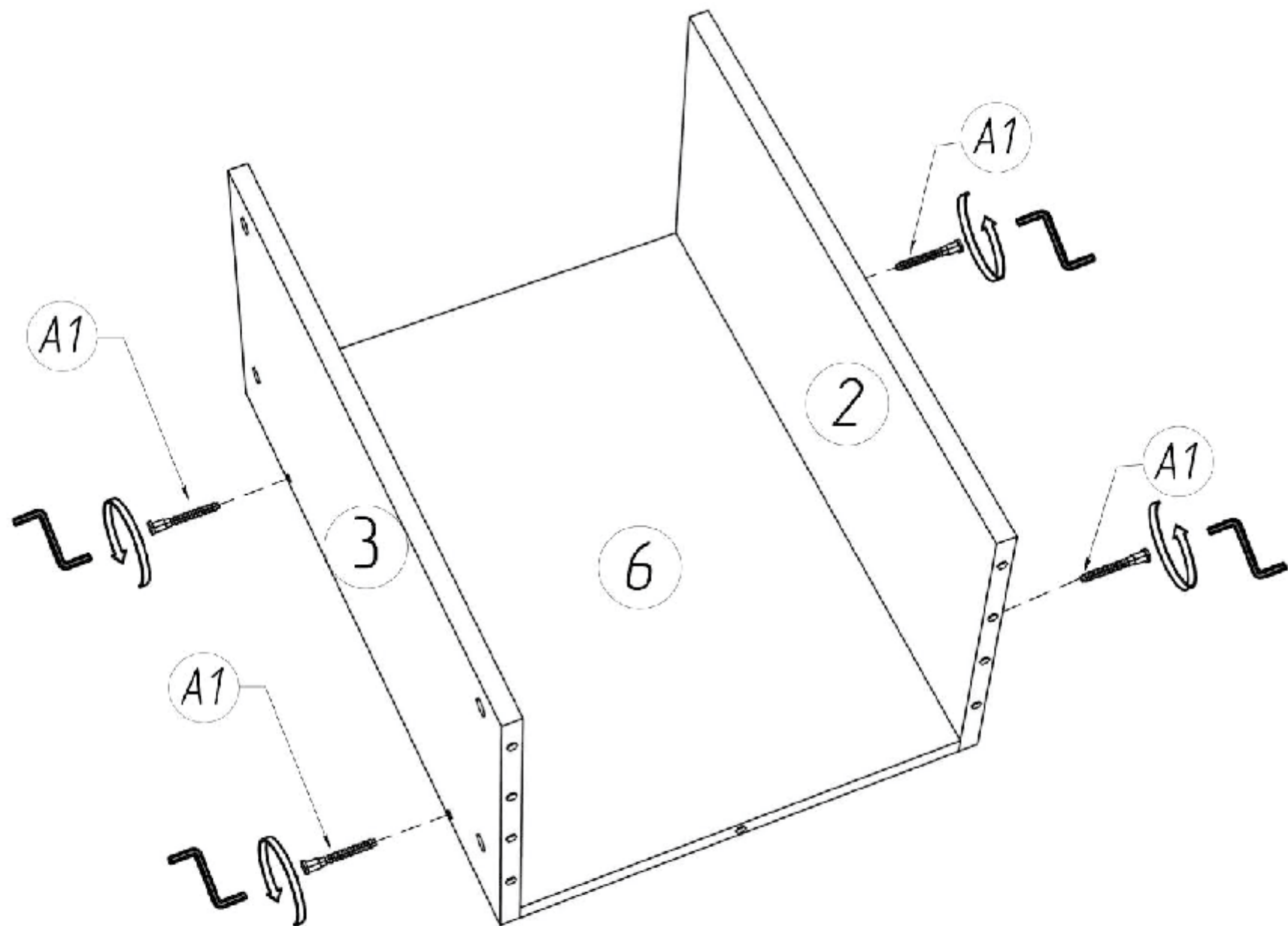
x20

I1

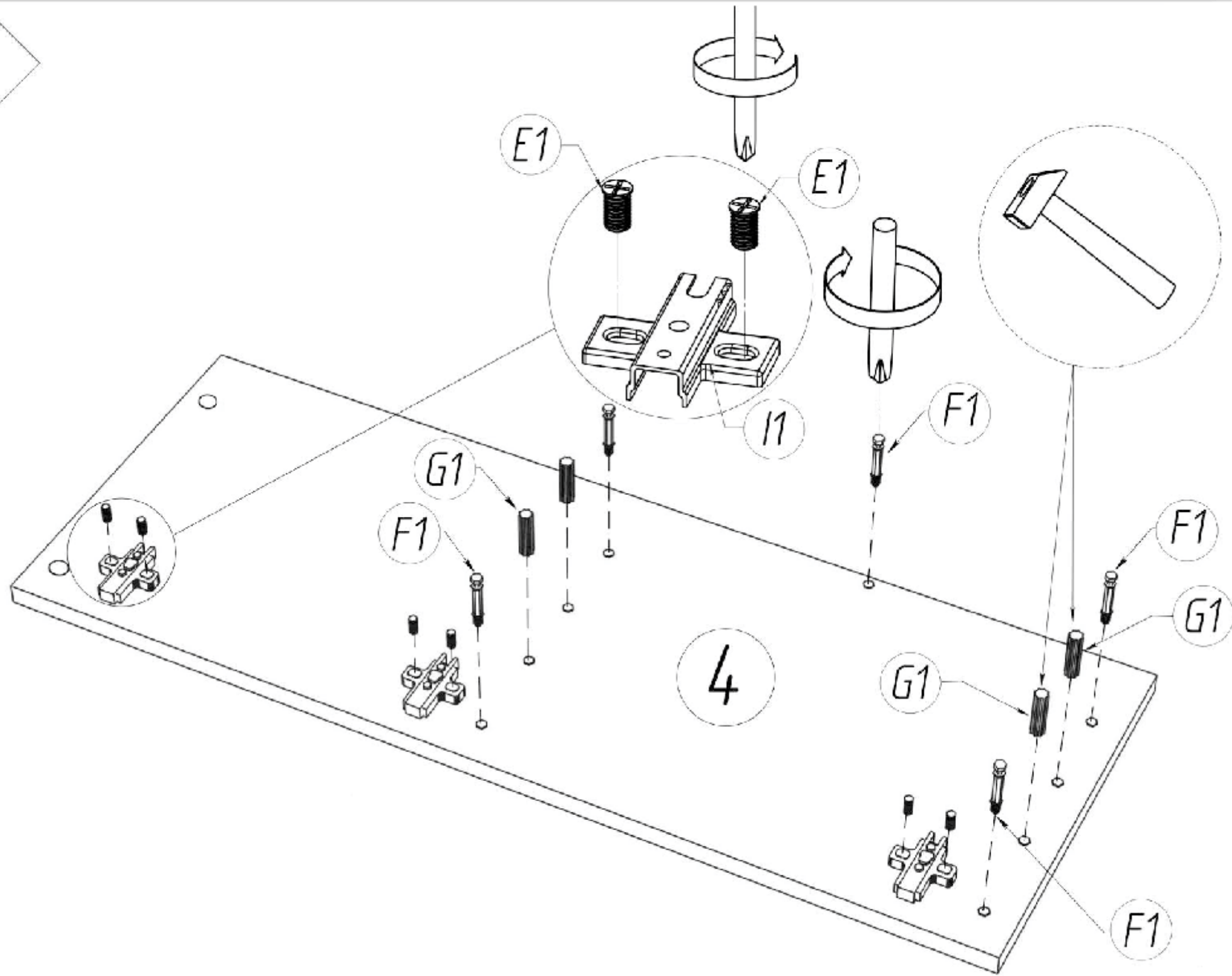


x3

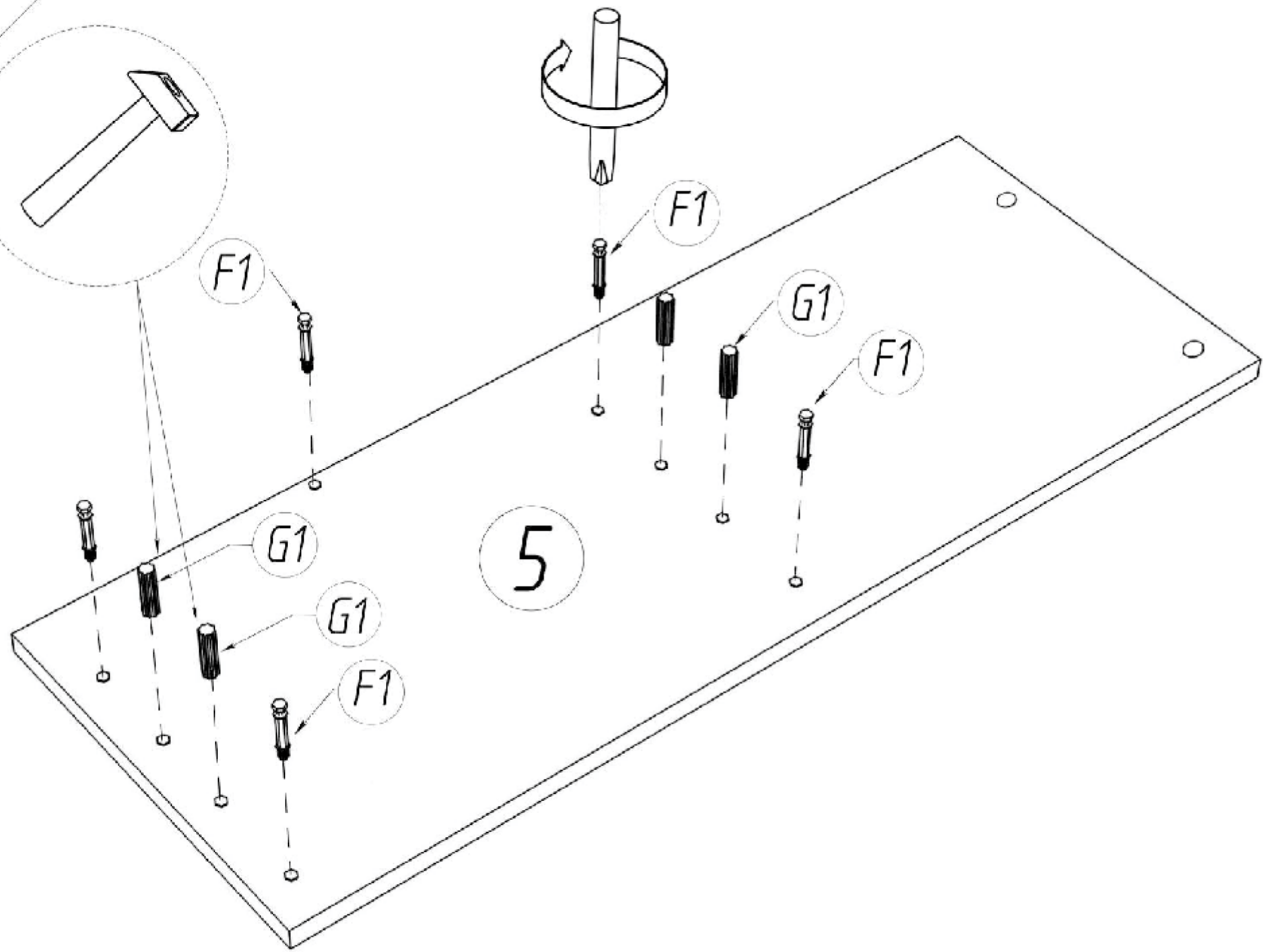
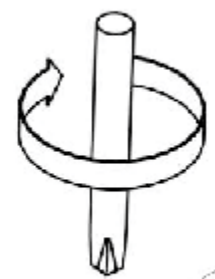
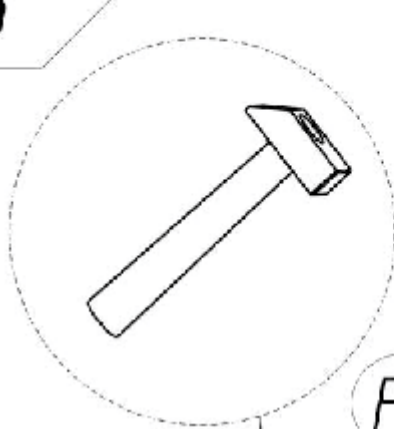
1



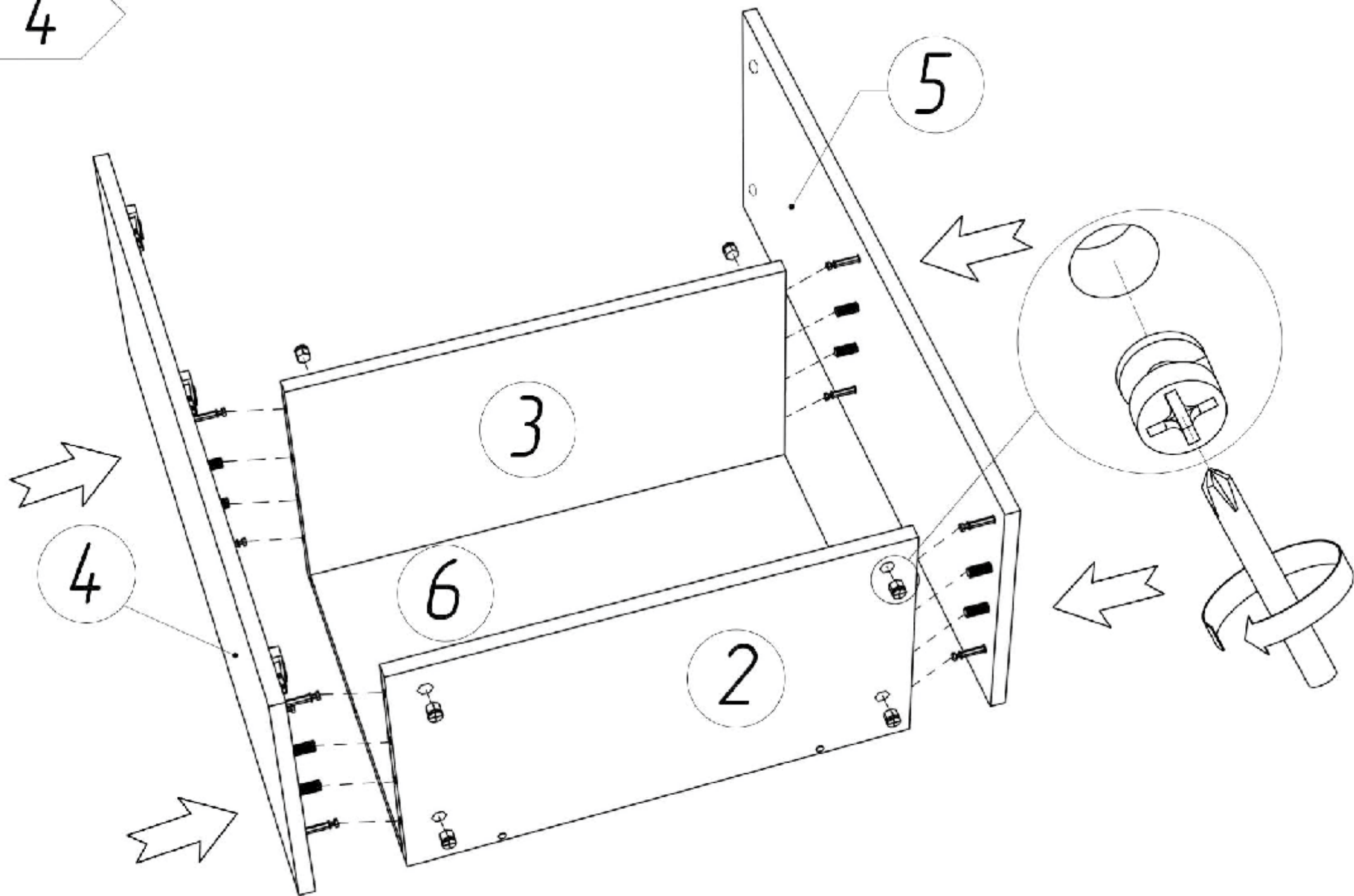
2



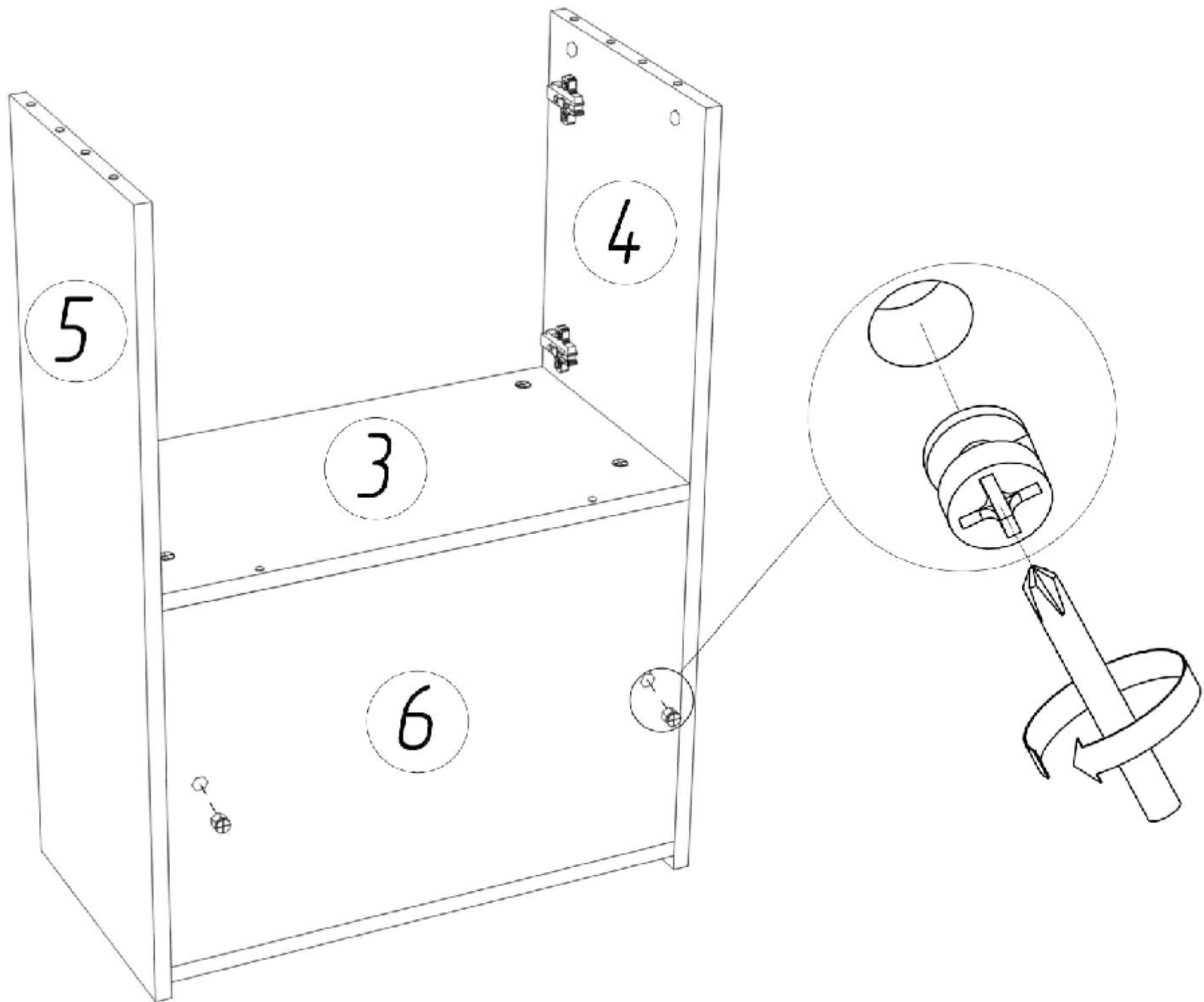
3



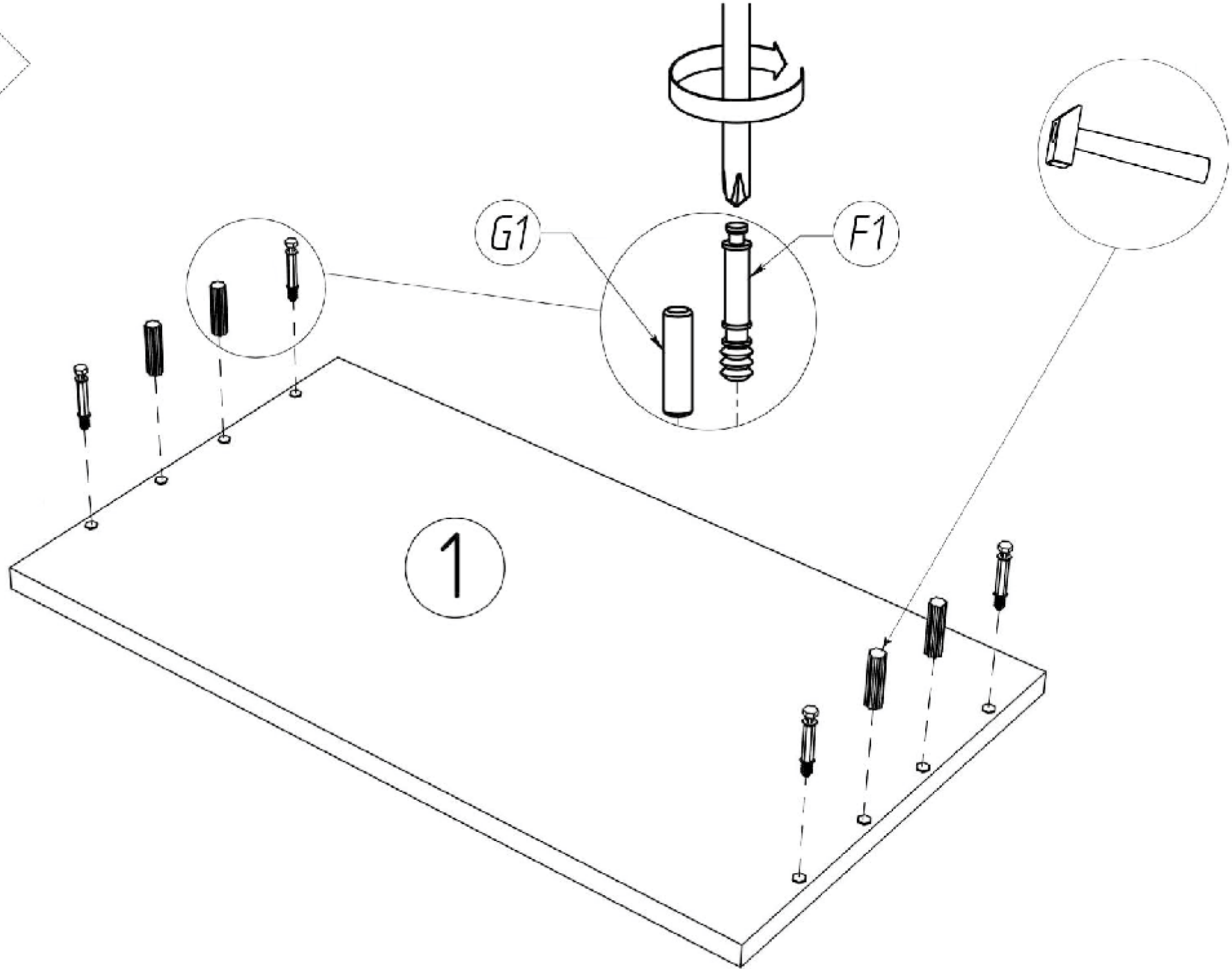
4



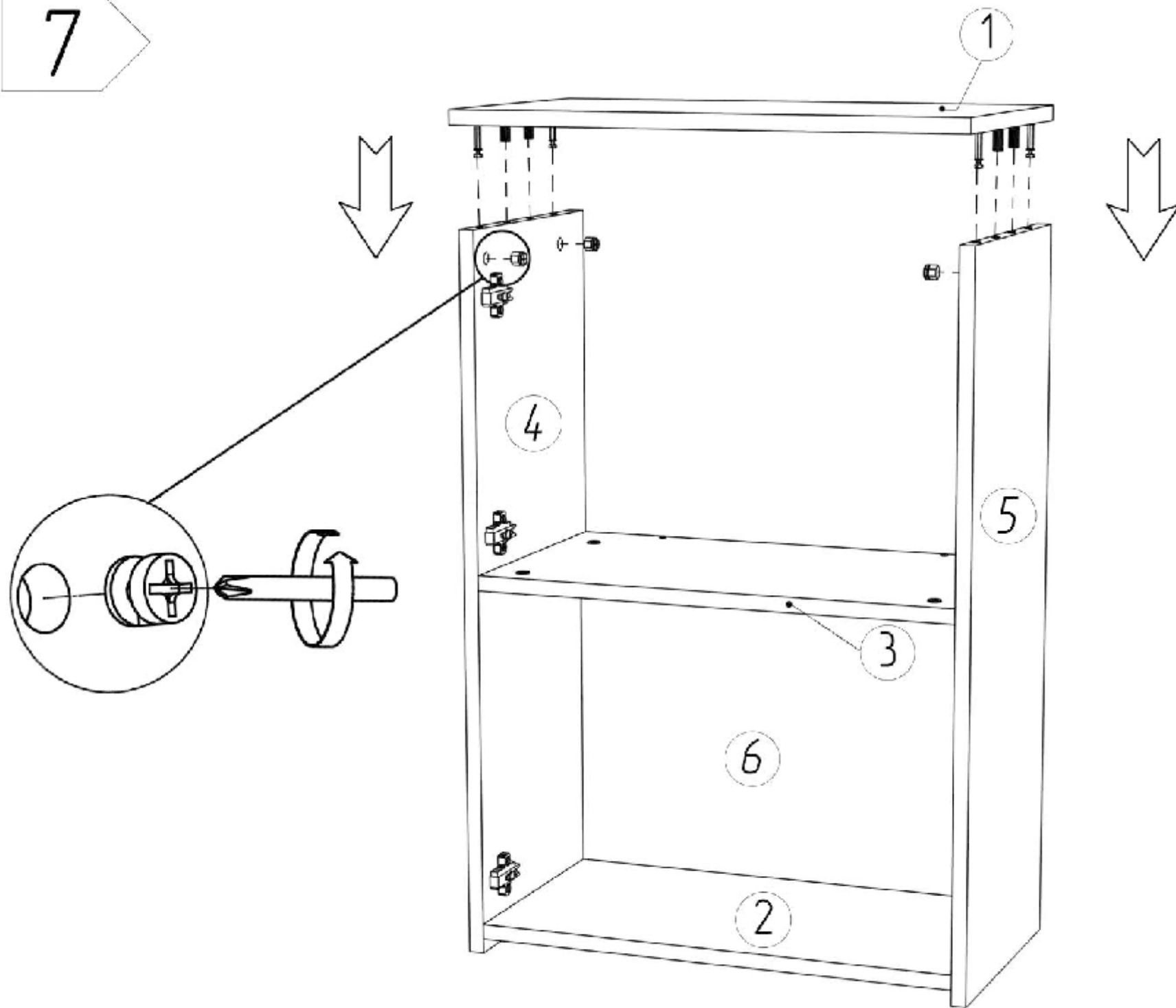
5



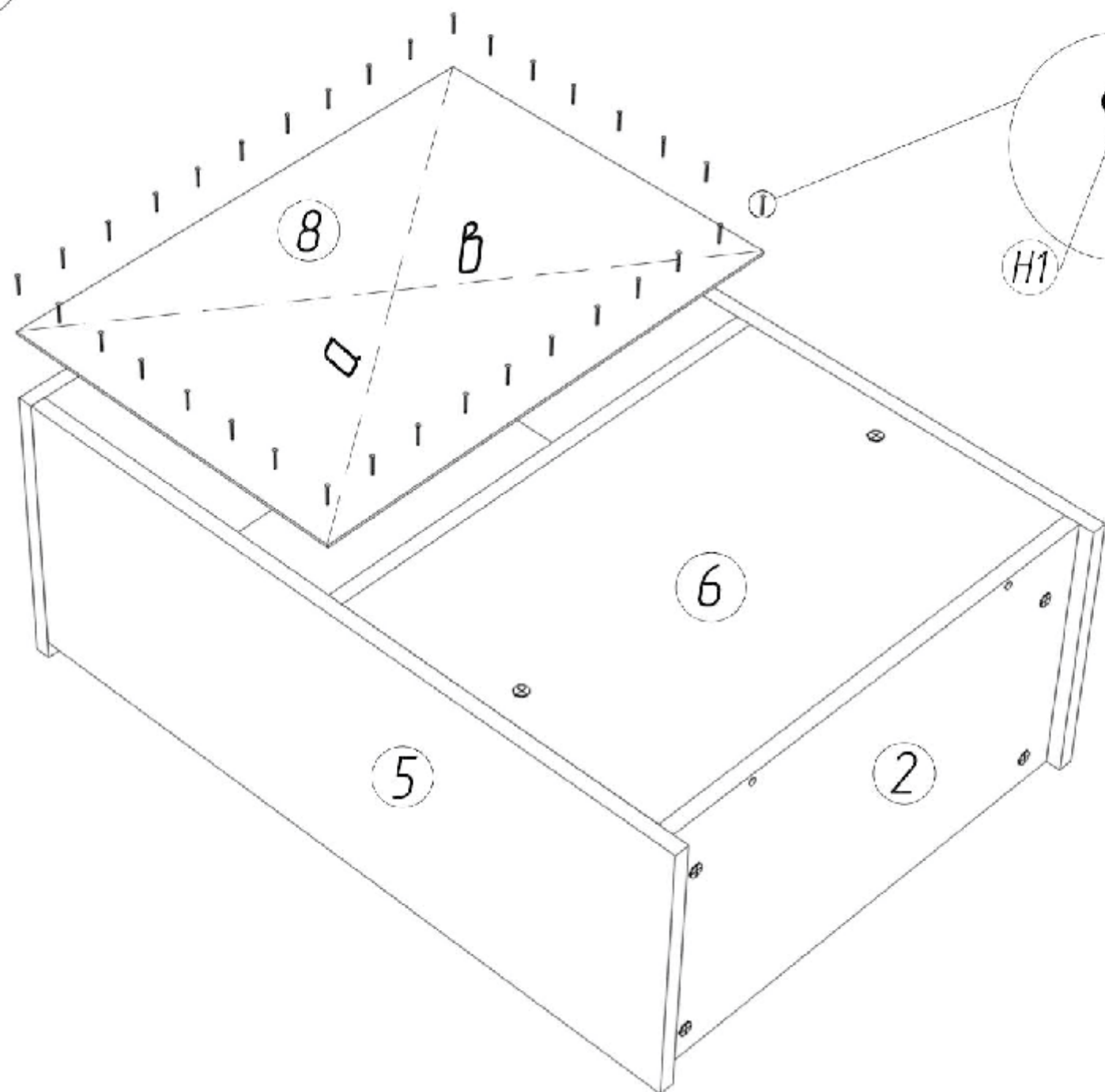
6



7

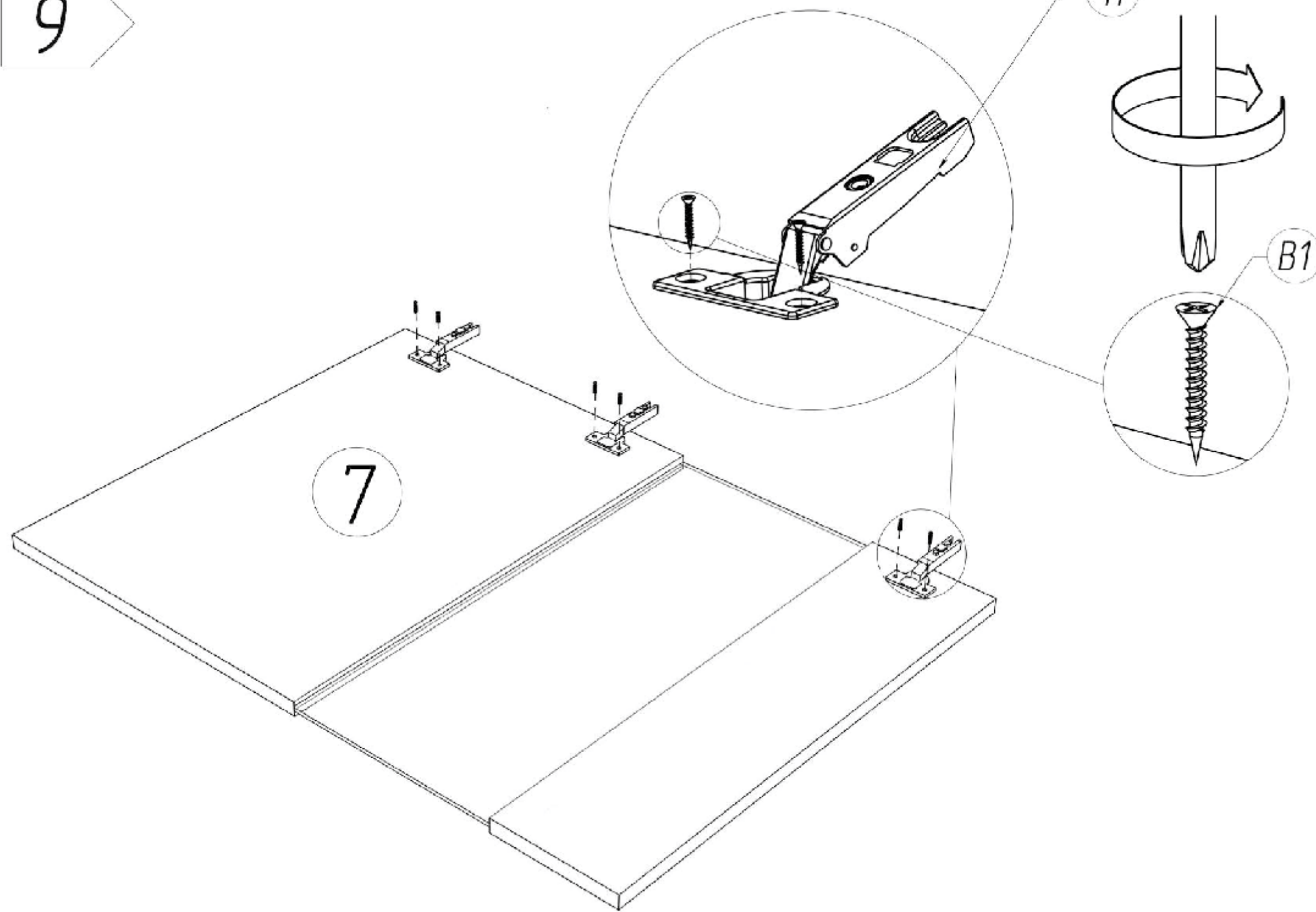


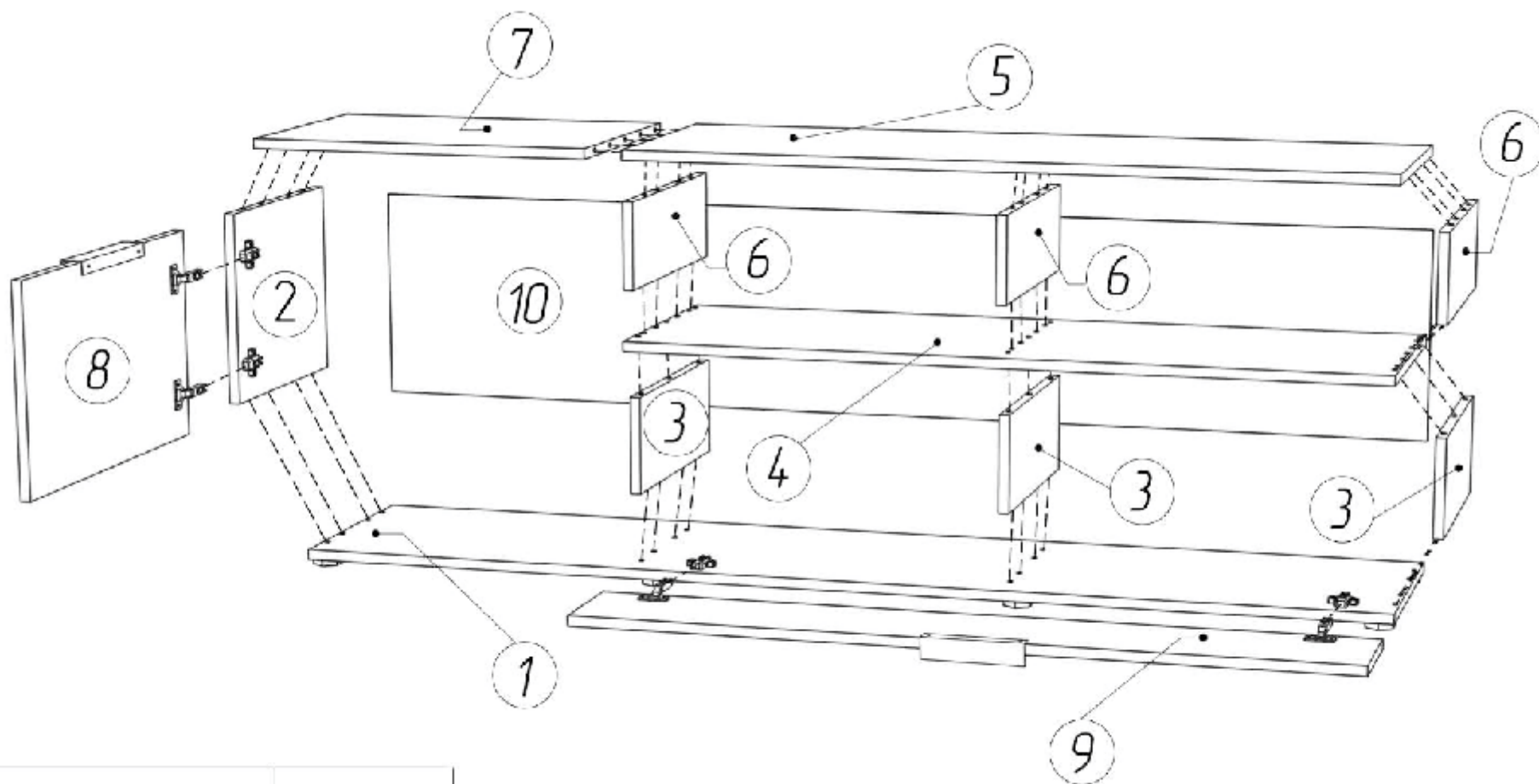
8



$$a = b$$

9

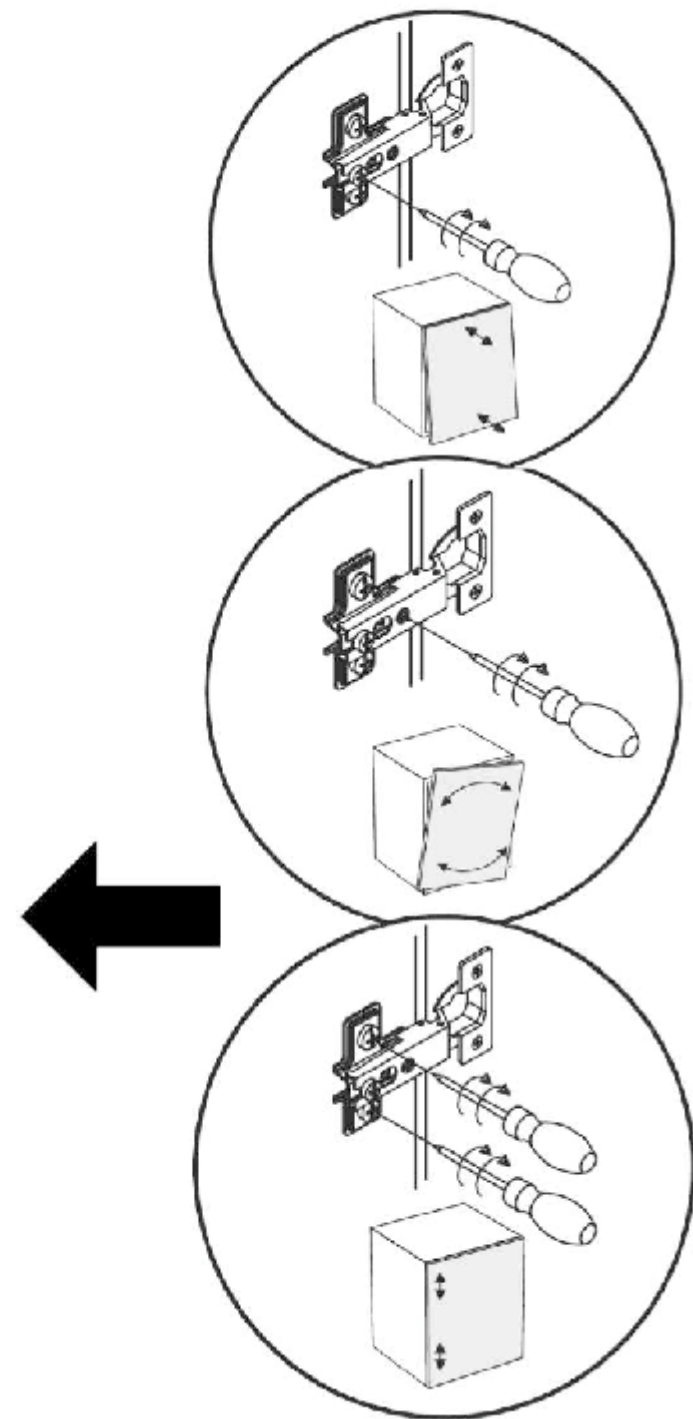
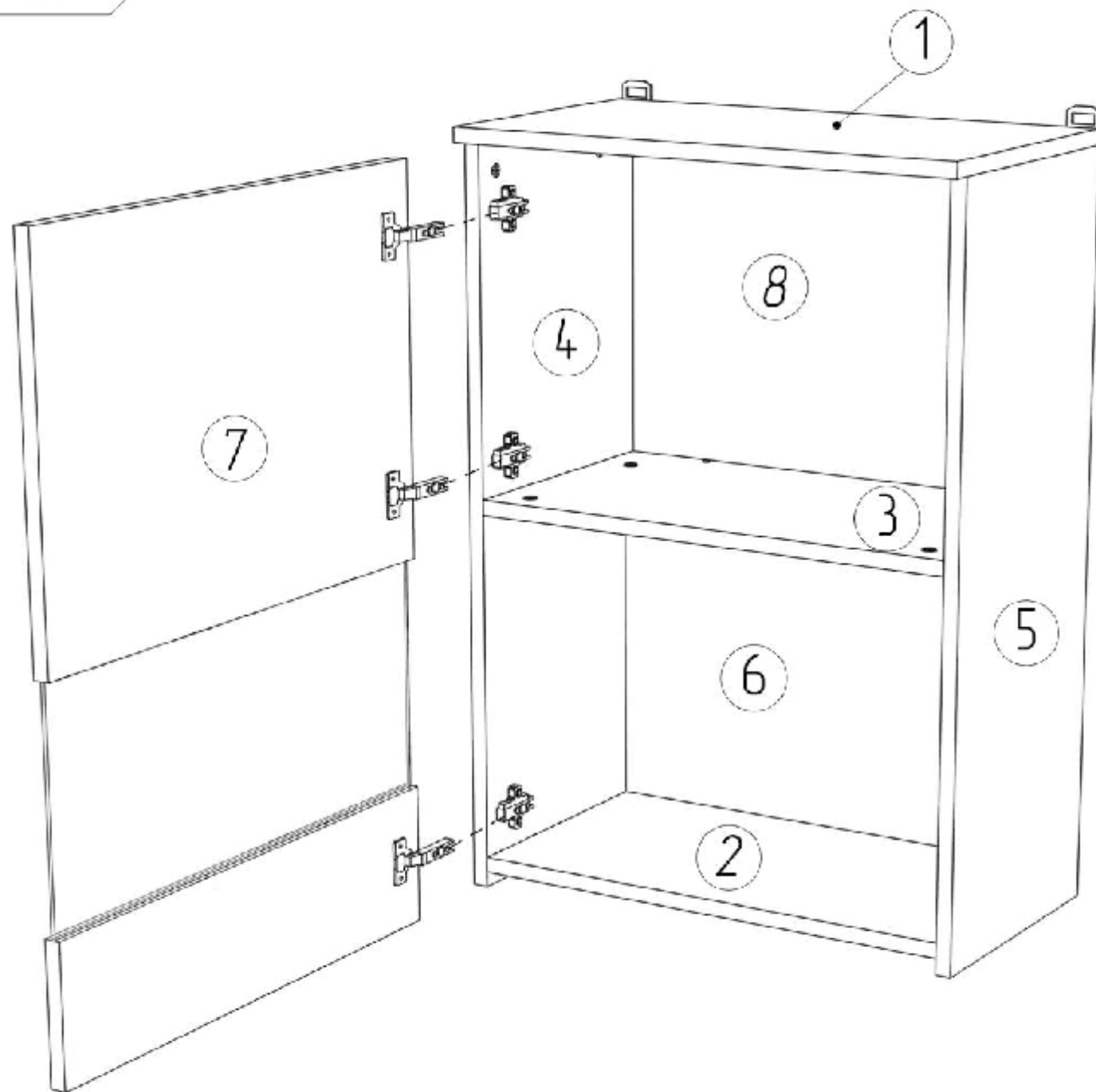




No	X
1	1750*370	1
2	308*370	1
3	154*370	3
4	1200*390	1
5	1200*390	1
6	138*390	3
7	550*390	1
8	546*320	1
9	1198*166	1
10	1746*336	1

Livingroom range "Morokko"
(cabinet assembly)

10



A1



x9

B1



x8

E1



x8

F1



x22

F2



x28

G1



x24

H1



x20

I1



x4

J1



x8

K1



x2

L1



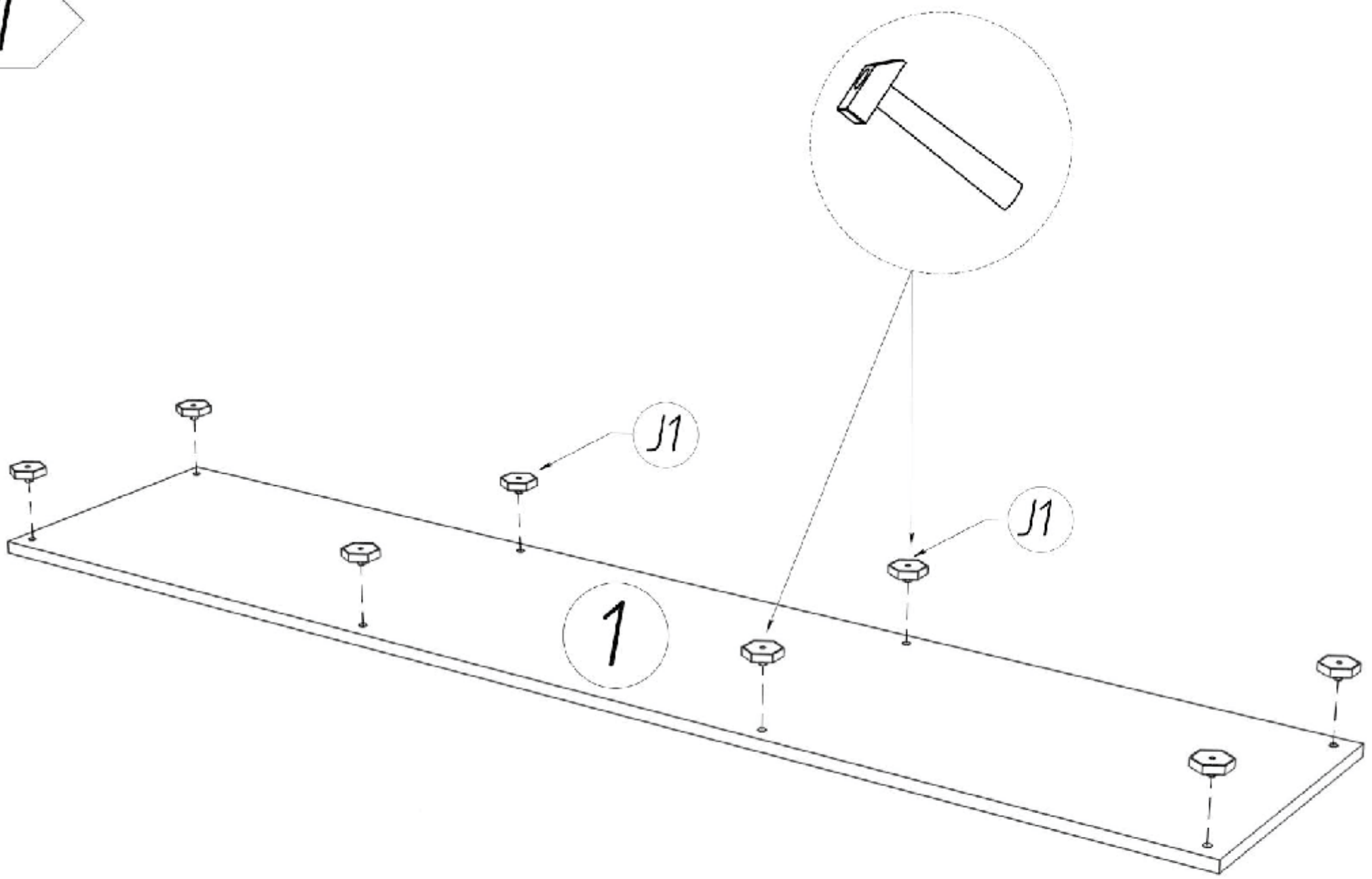
x3

M1

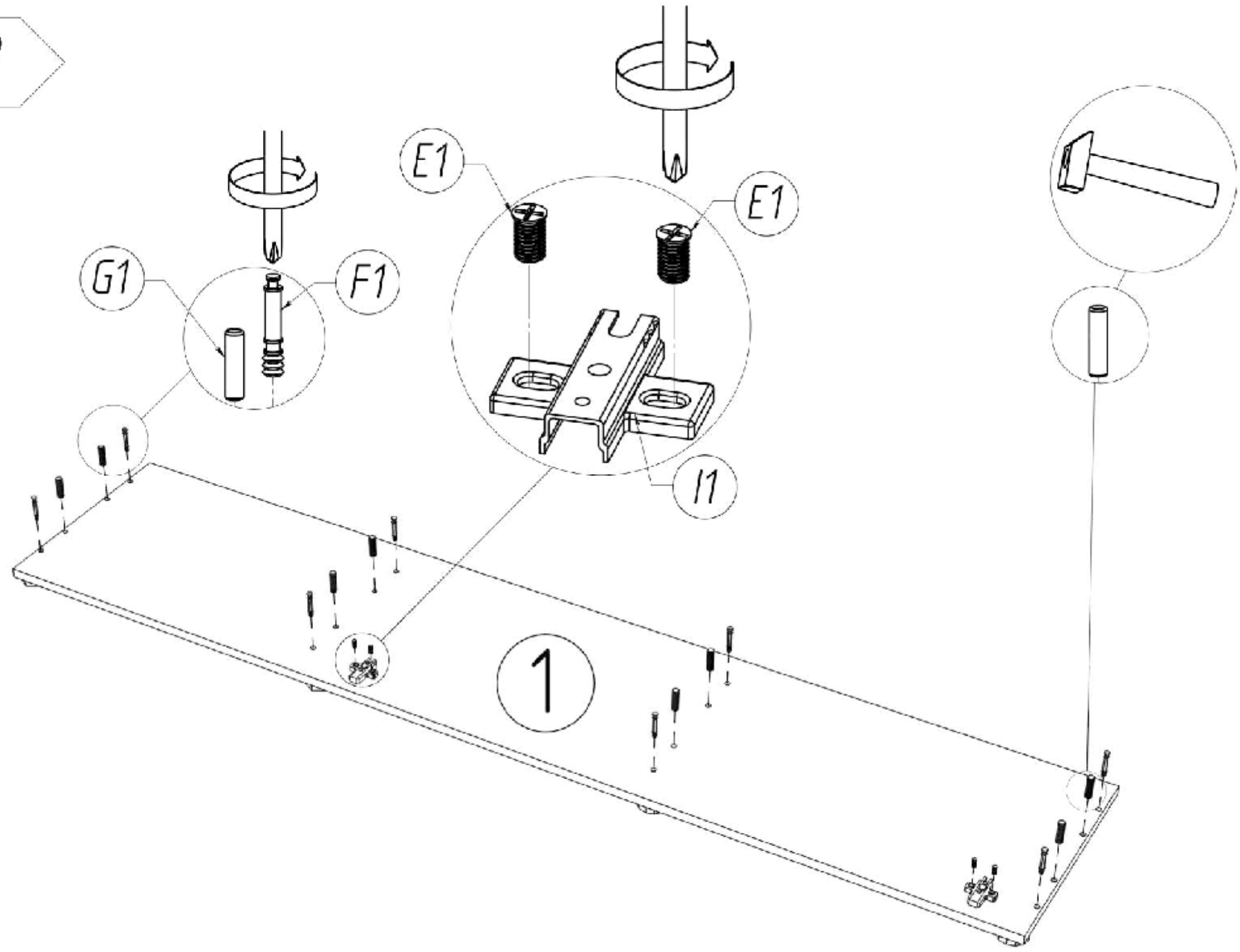


x1

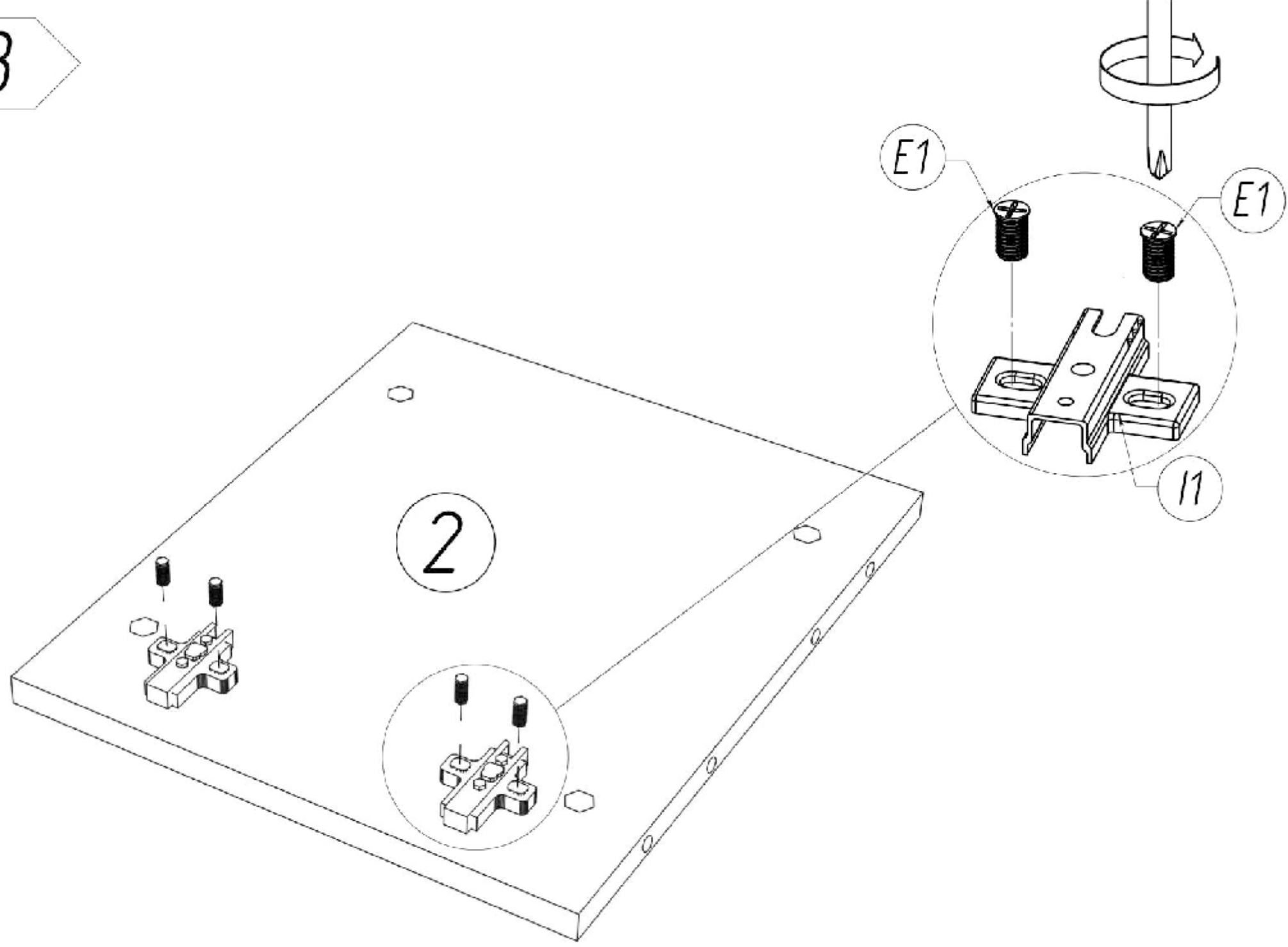
1



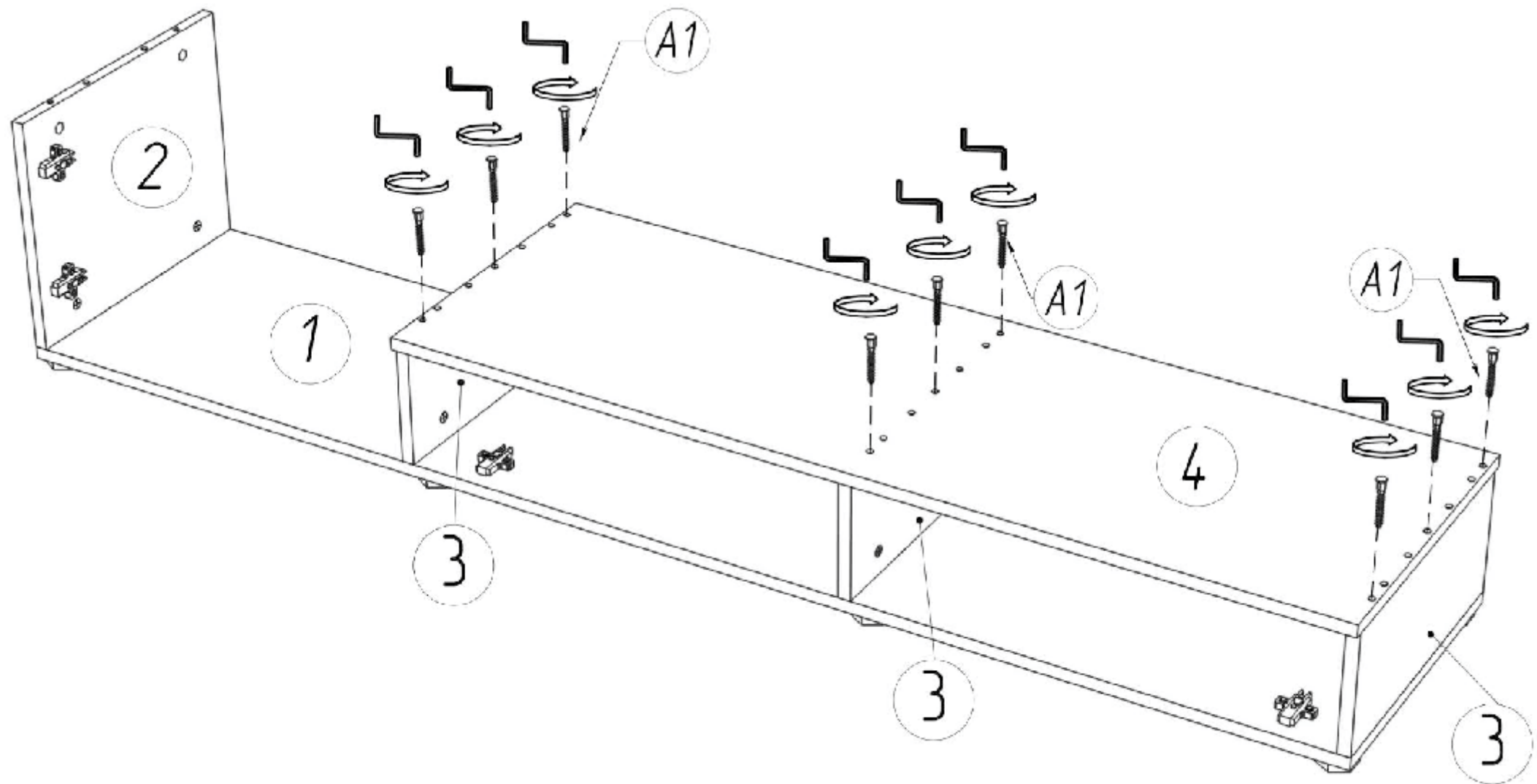
2



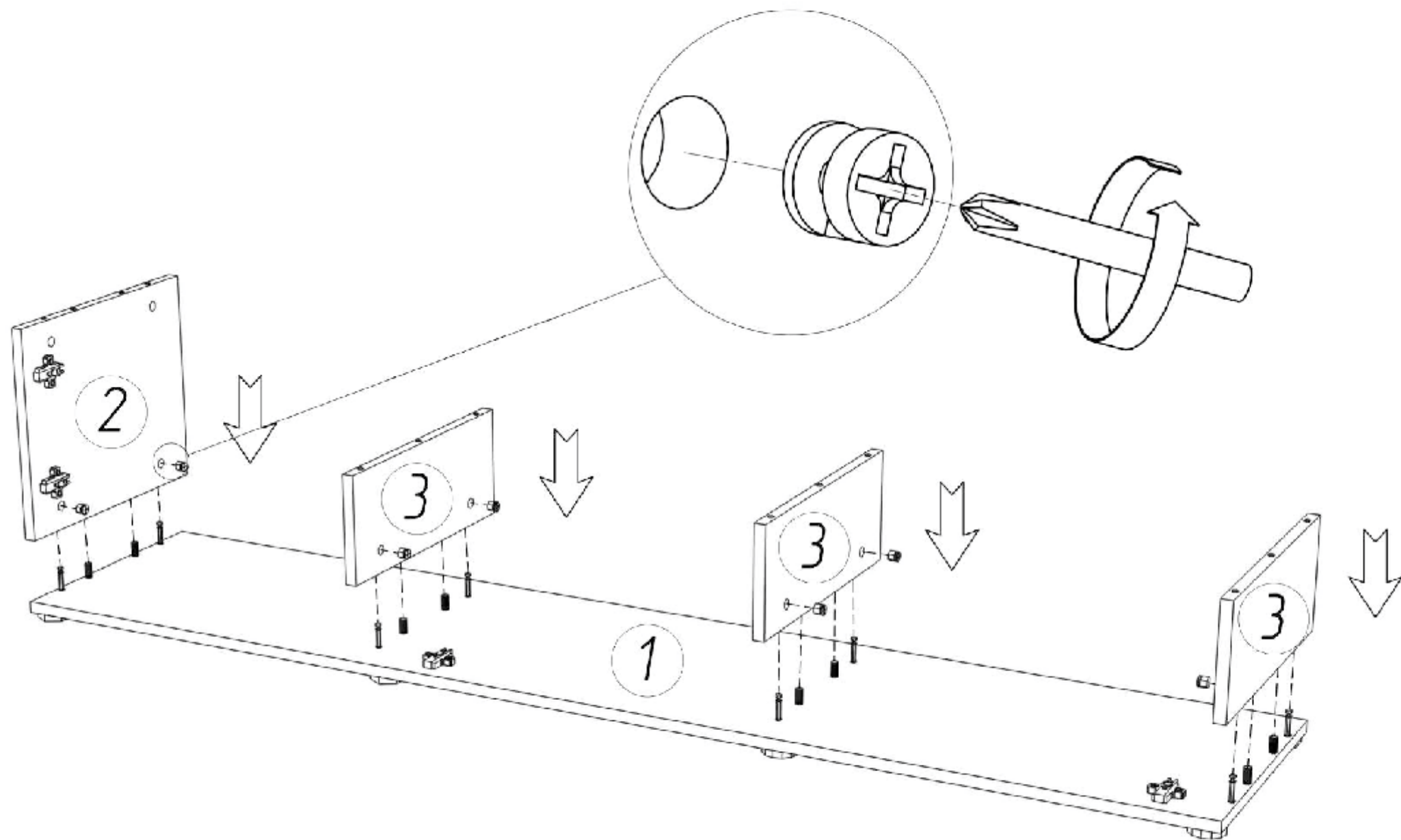
3



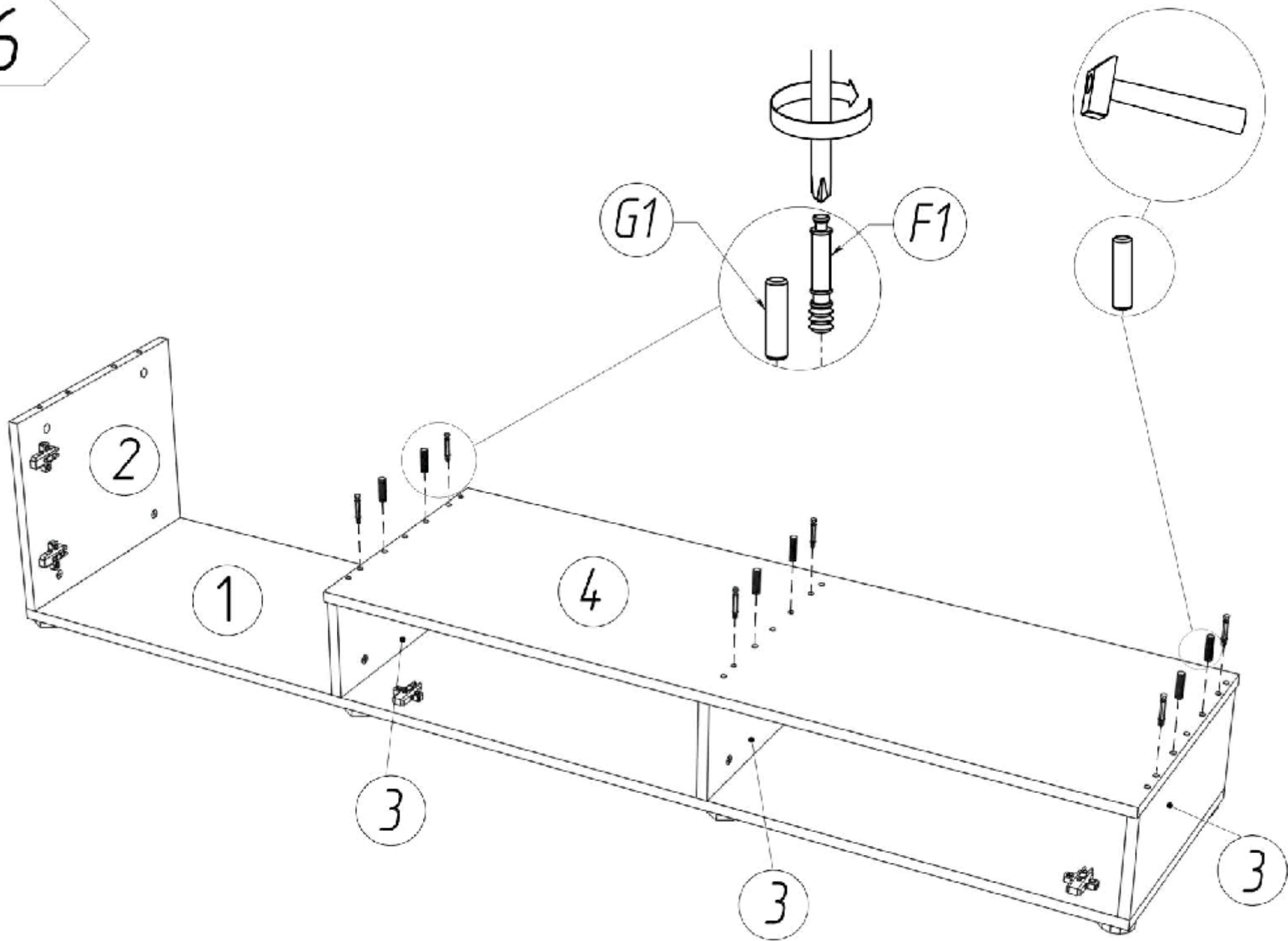
5



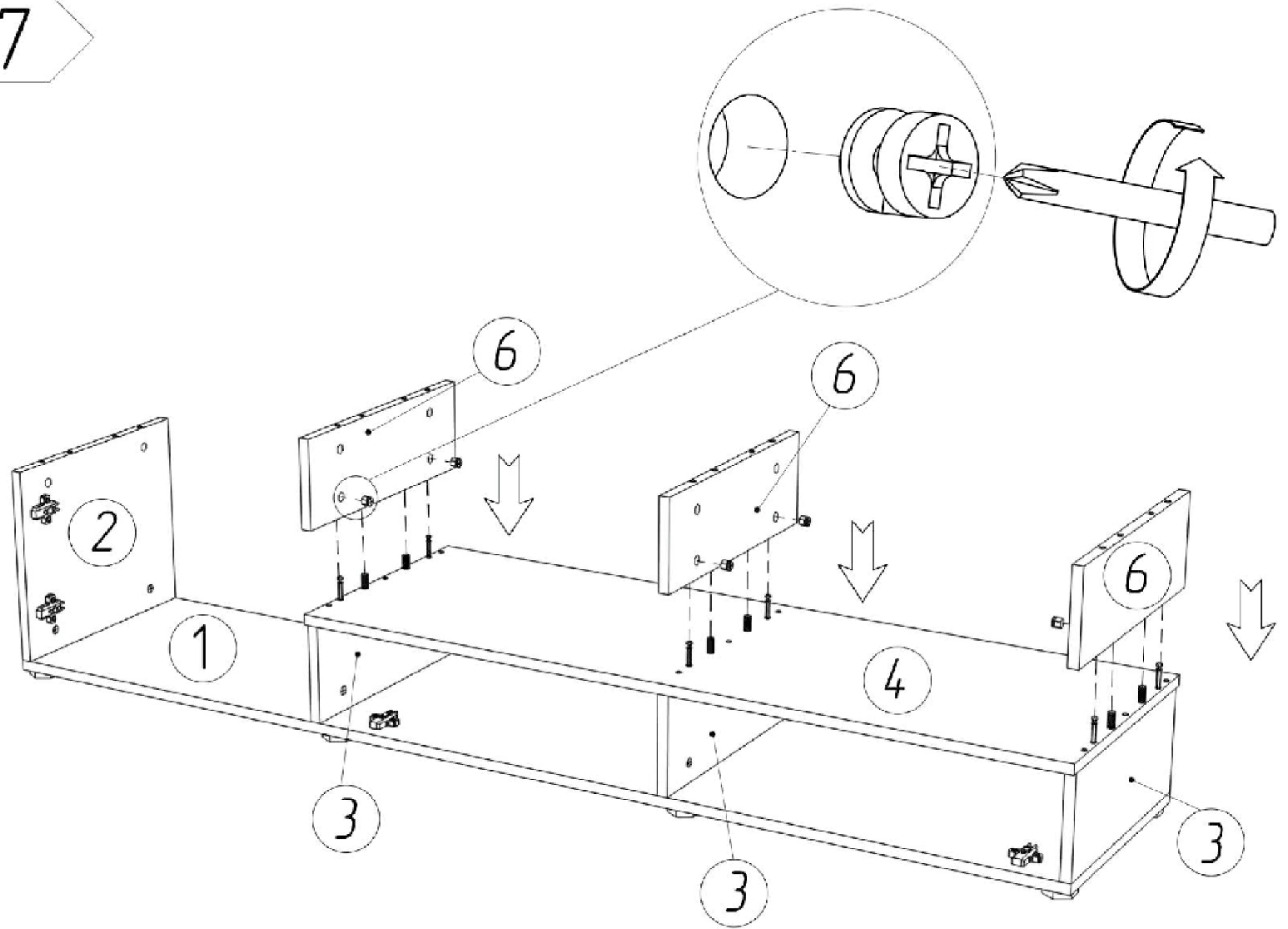
4



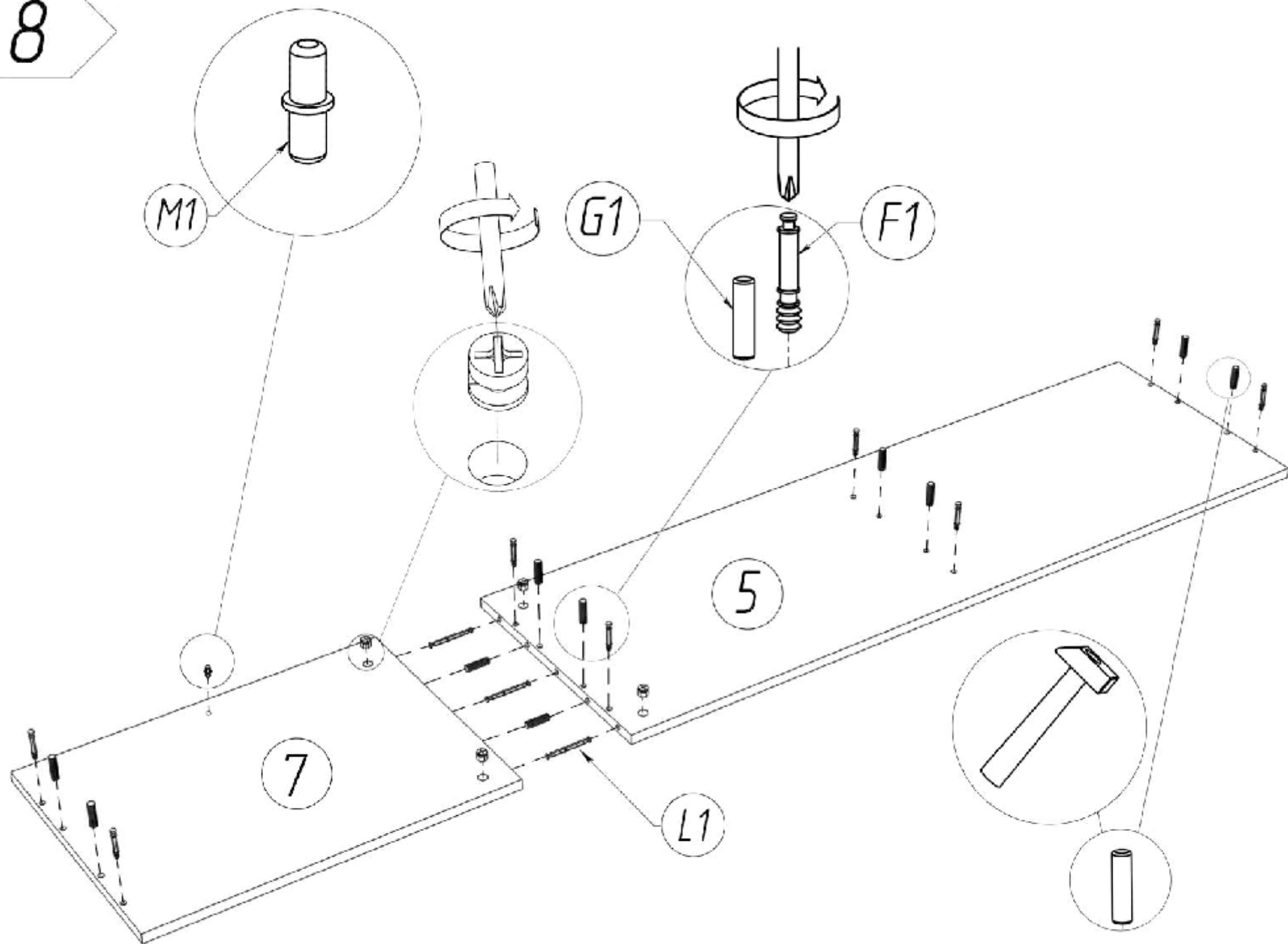
6



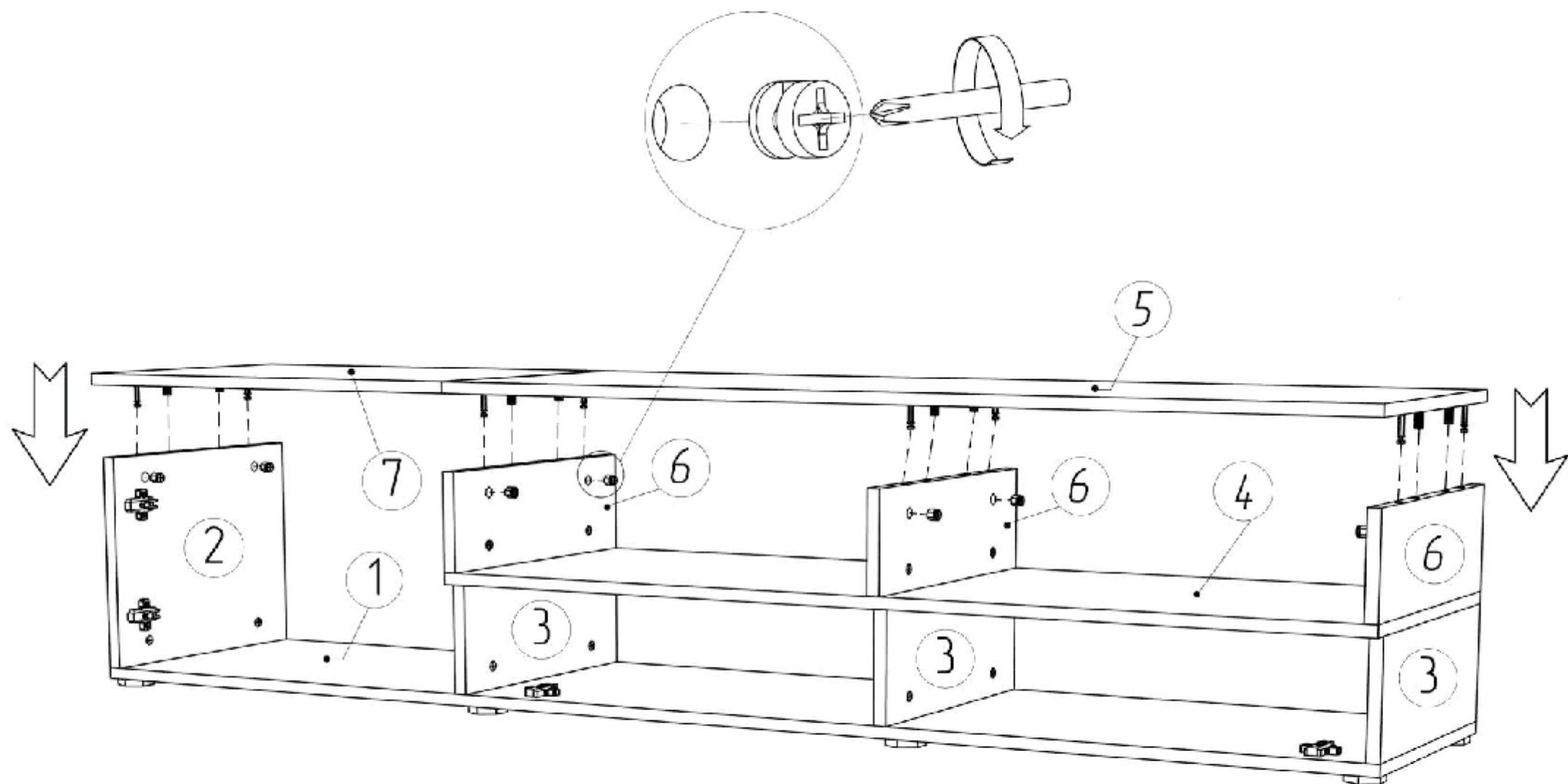
7



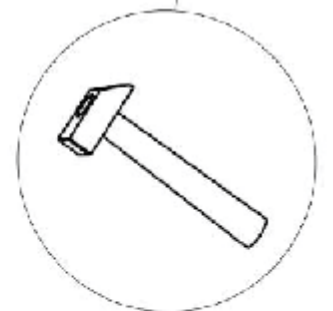
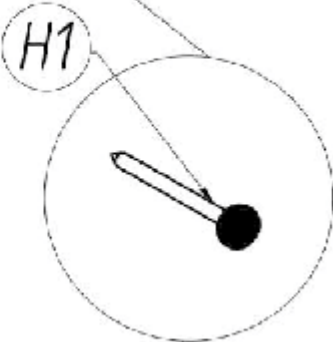
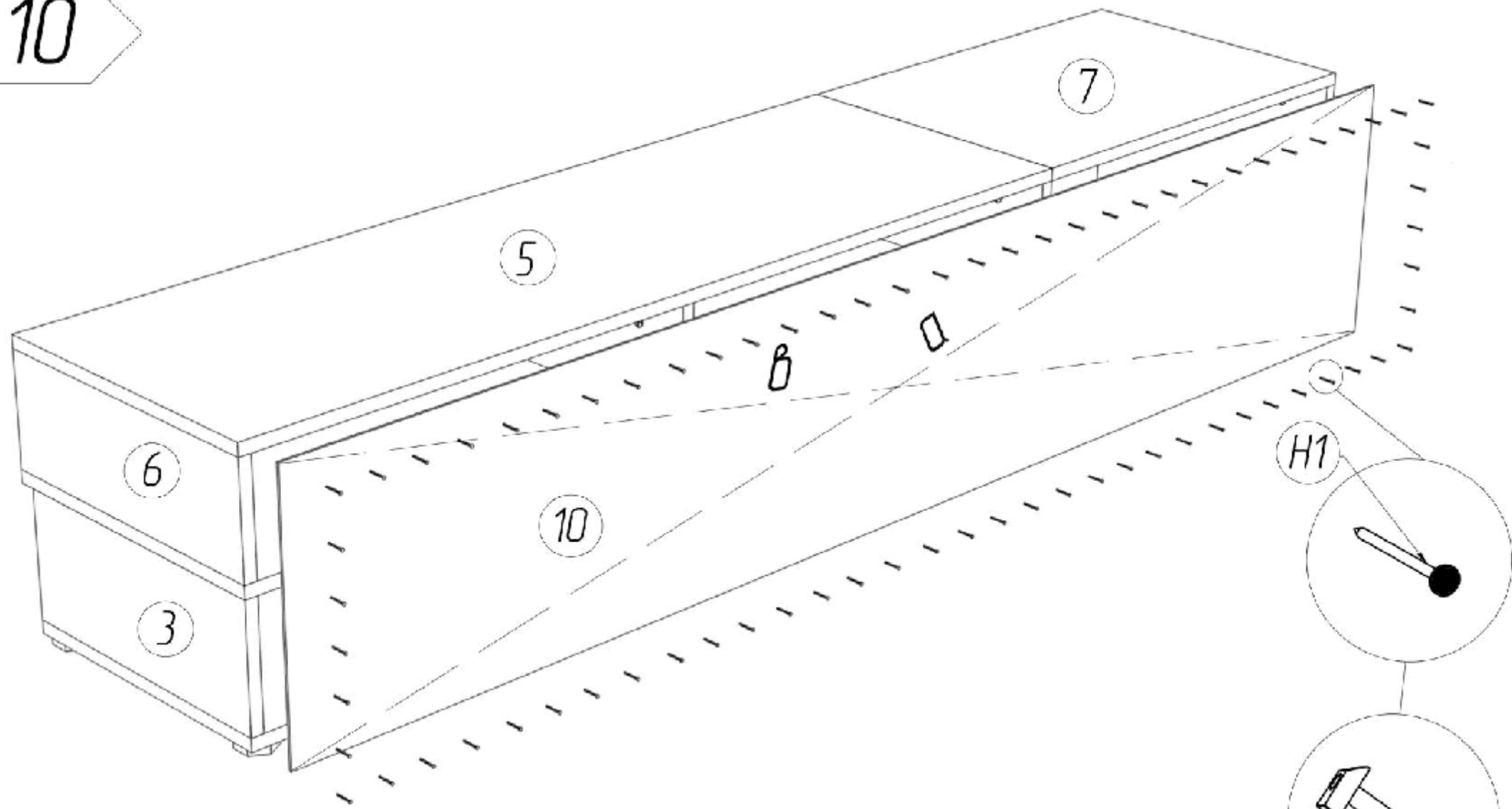
8



9

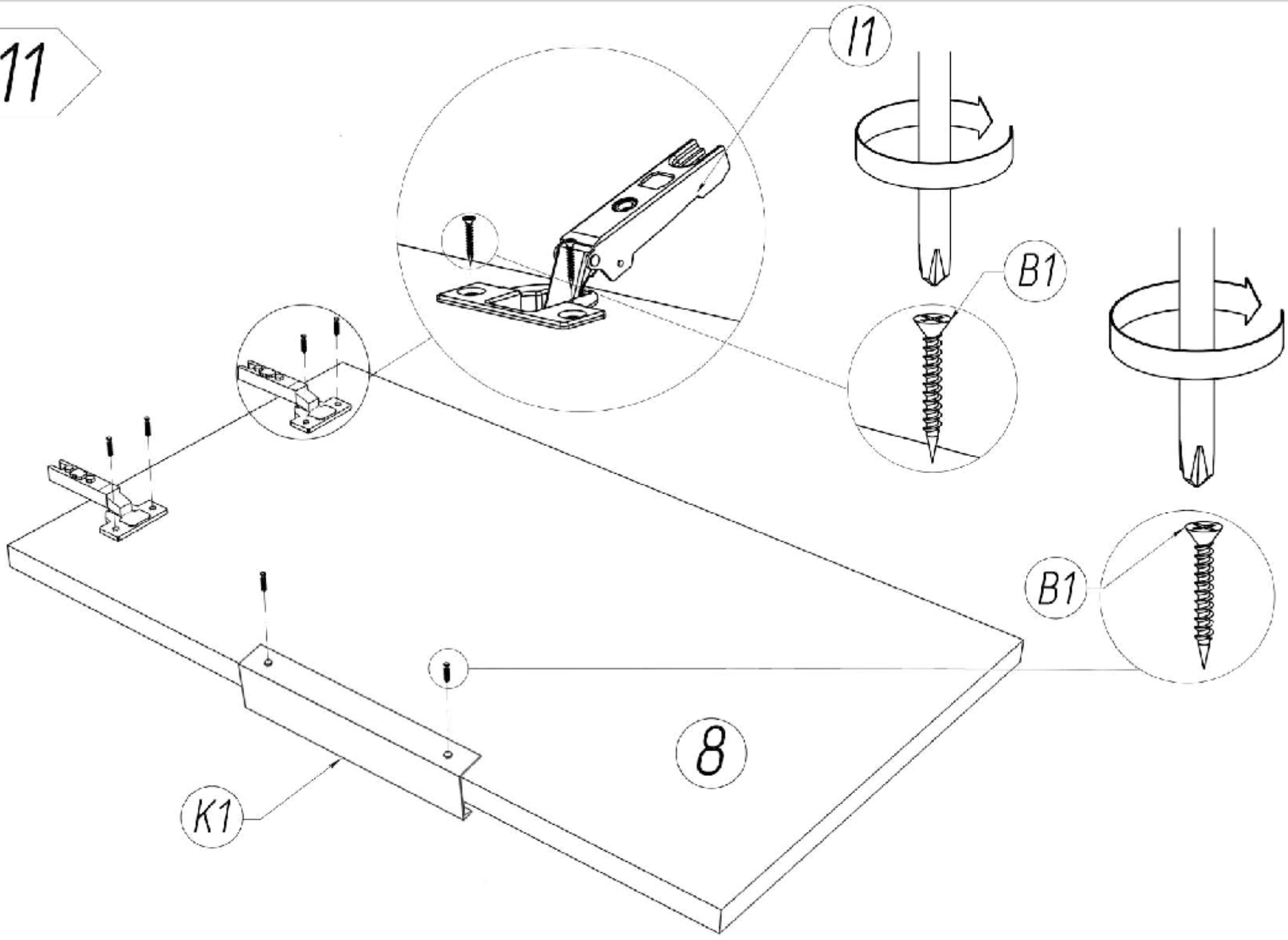


10

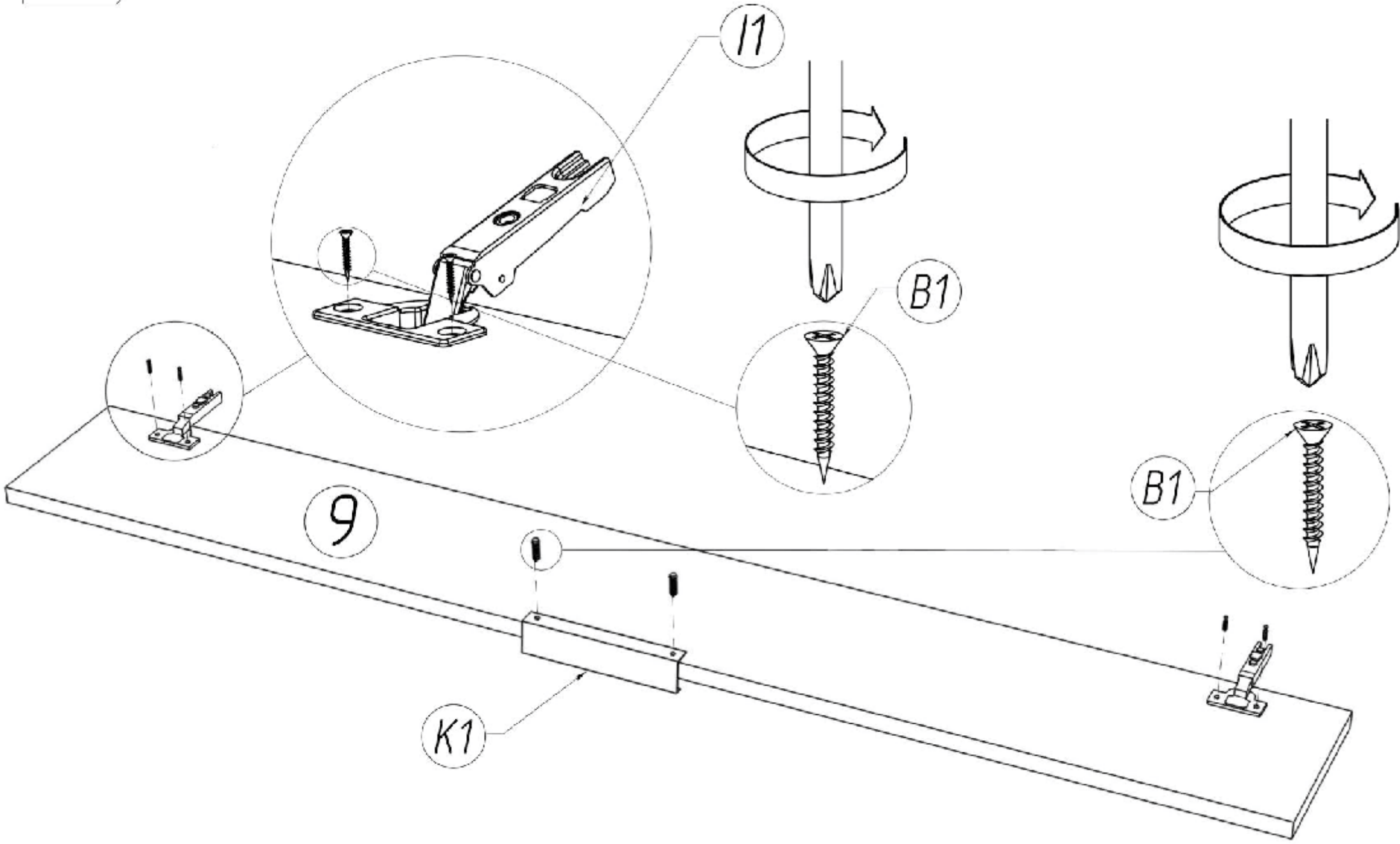


$$\alpha = \beta$$

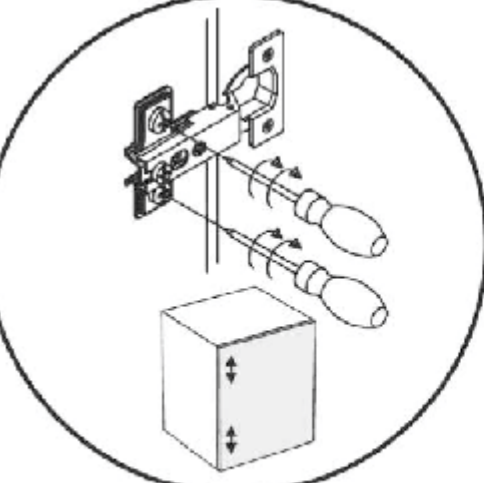
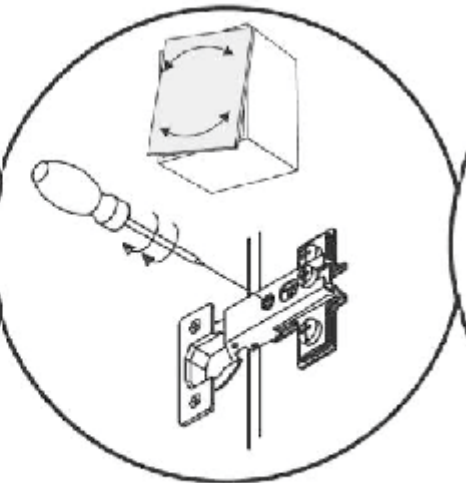
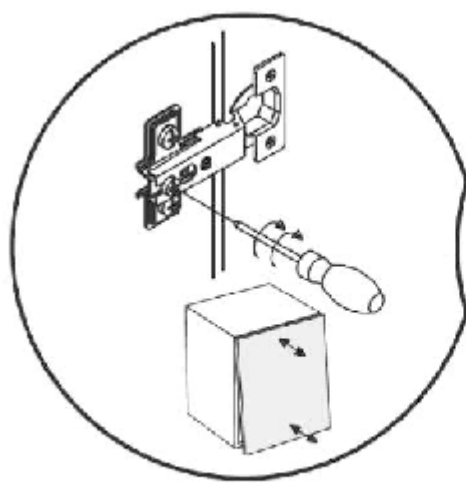
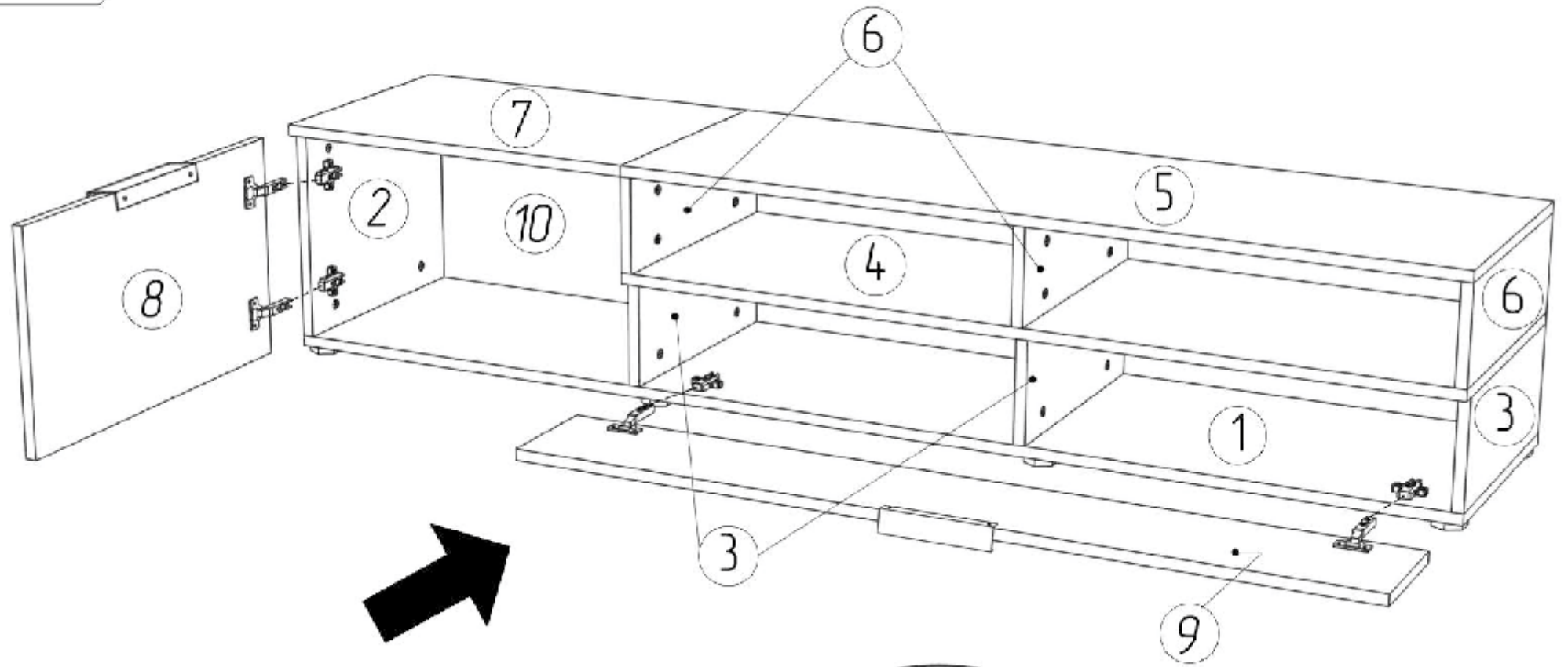
11



12

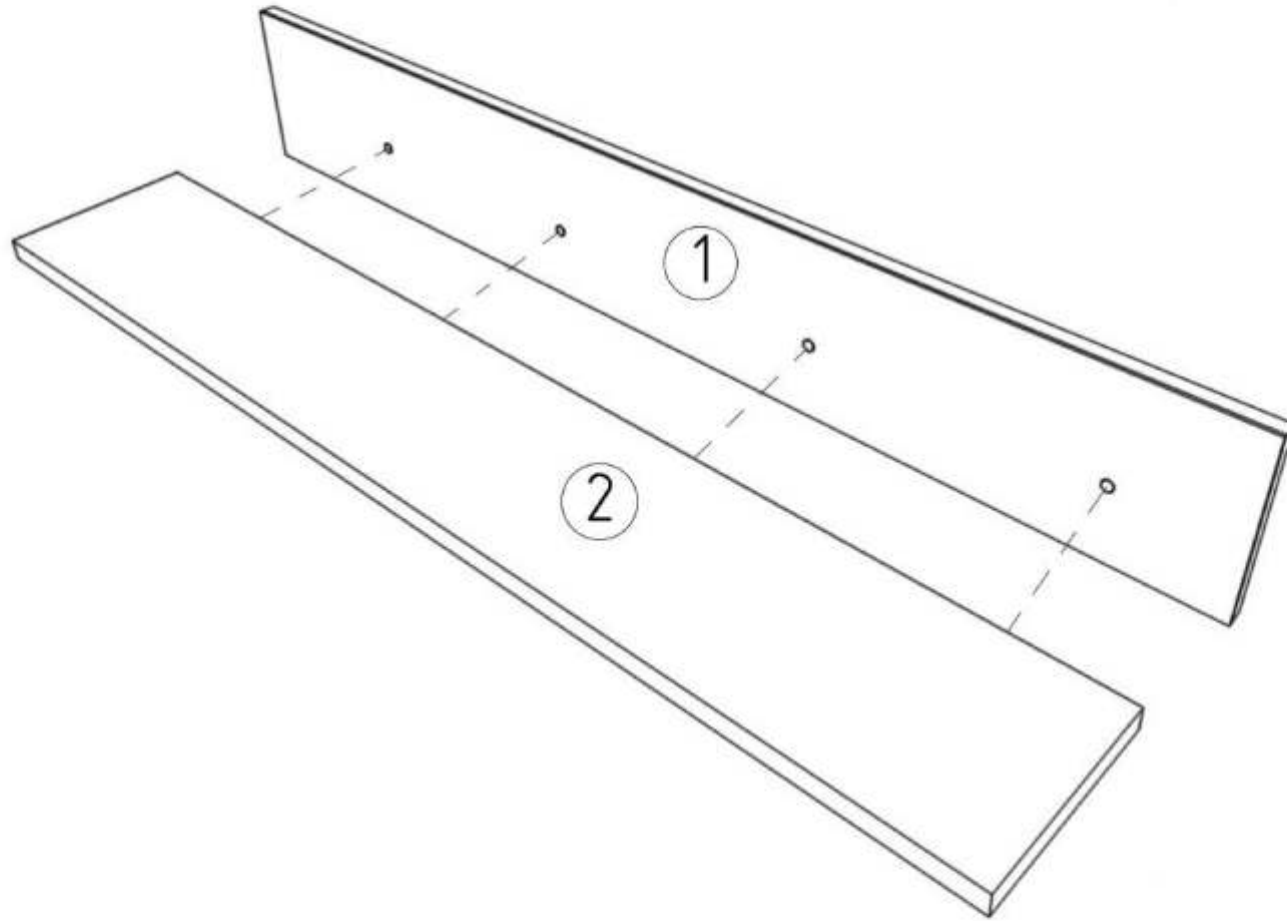


13



livingroom range "Morocco" (shelf assembly)

Nº	X
1	1200*200	1
2	1200*184	1



A1



A2



B1



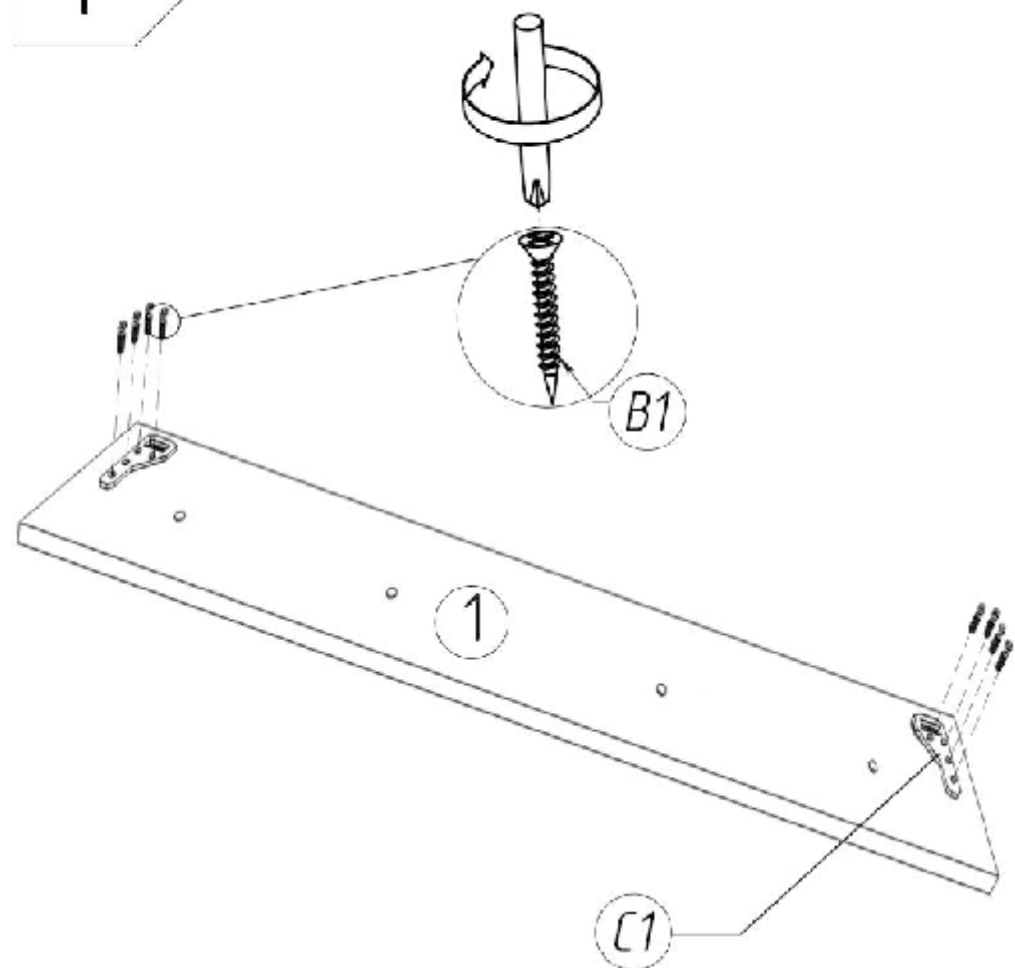
C1



D1



1



2

