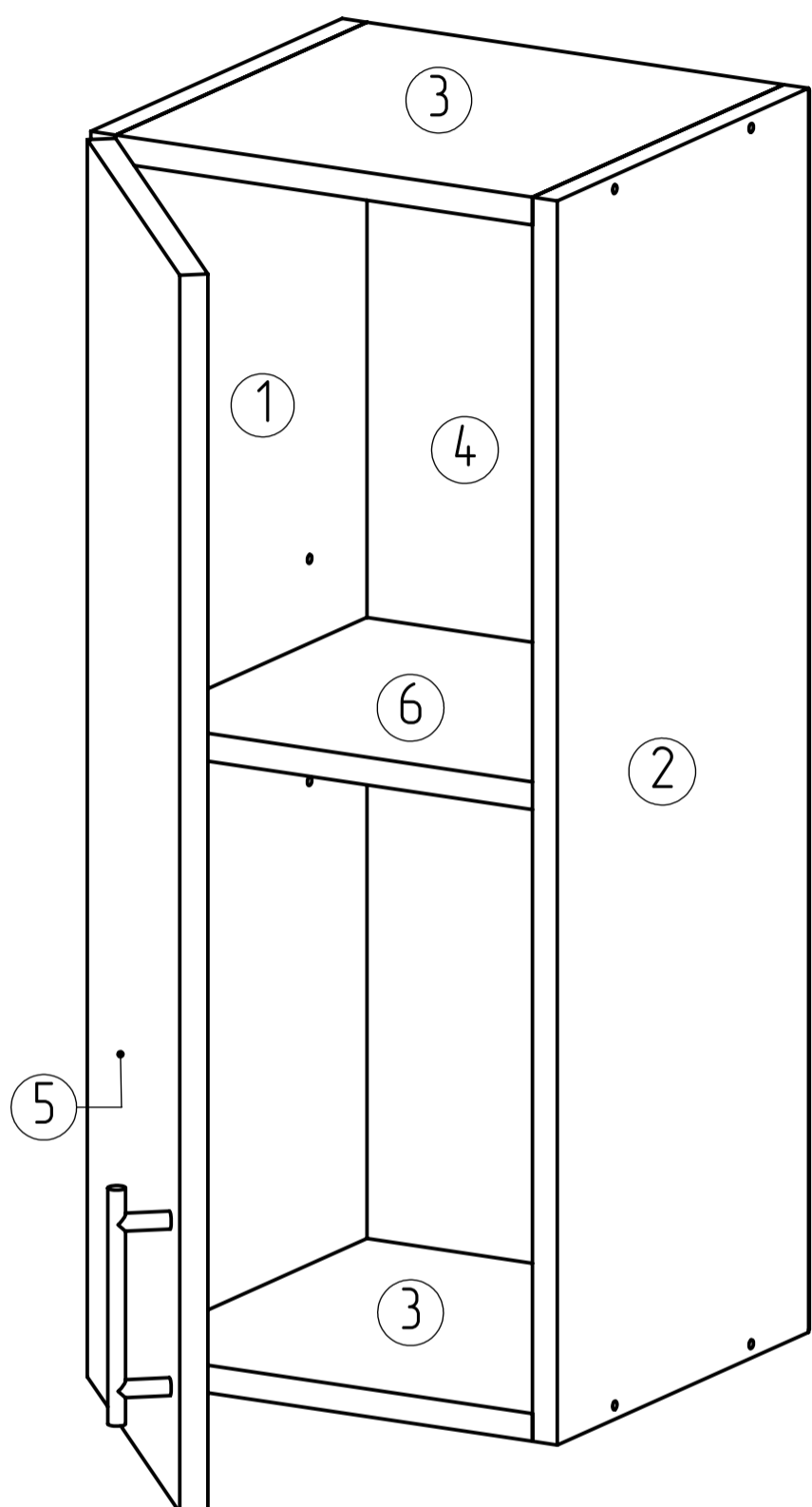














# Wall Units 72

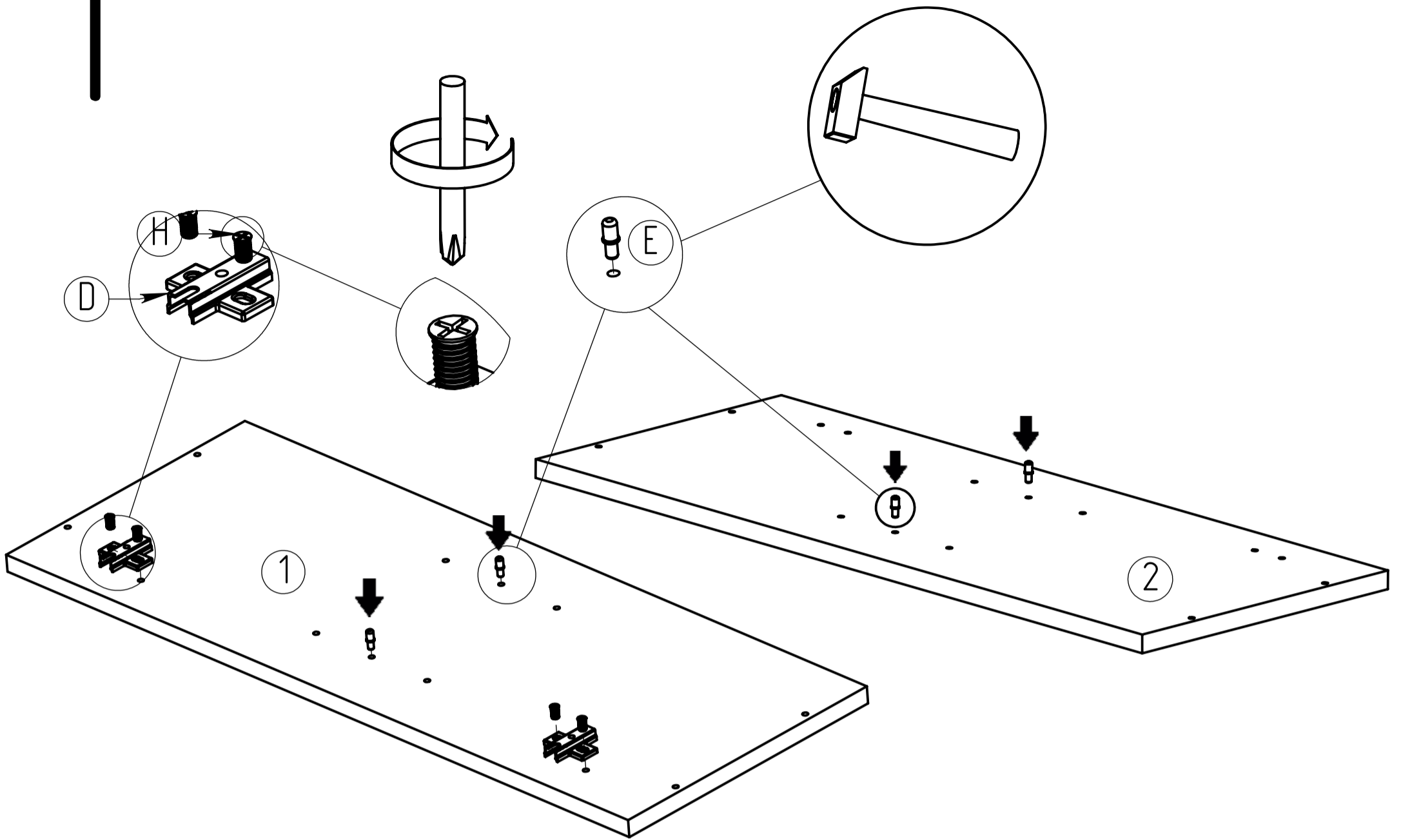


 x1	 x2	 x
 x2	 x4	 x4 4,0*16
 x8 4,0*30	 x4 6,3*13	 x15
 x1	 x8	 x8

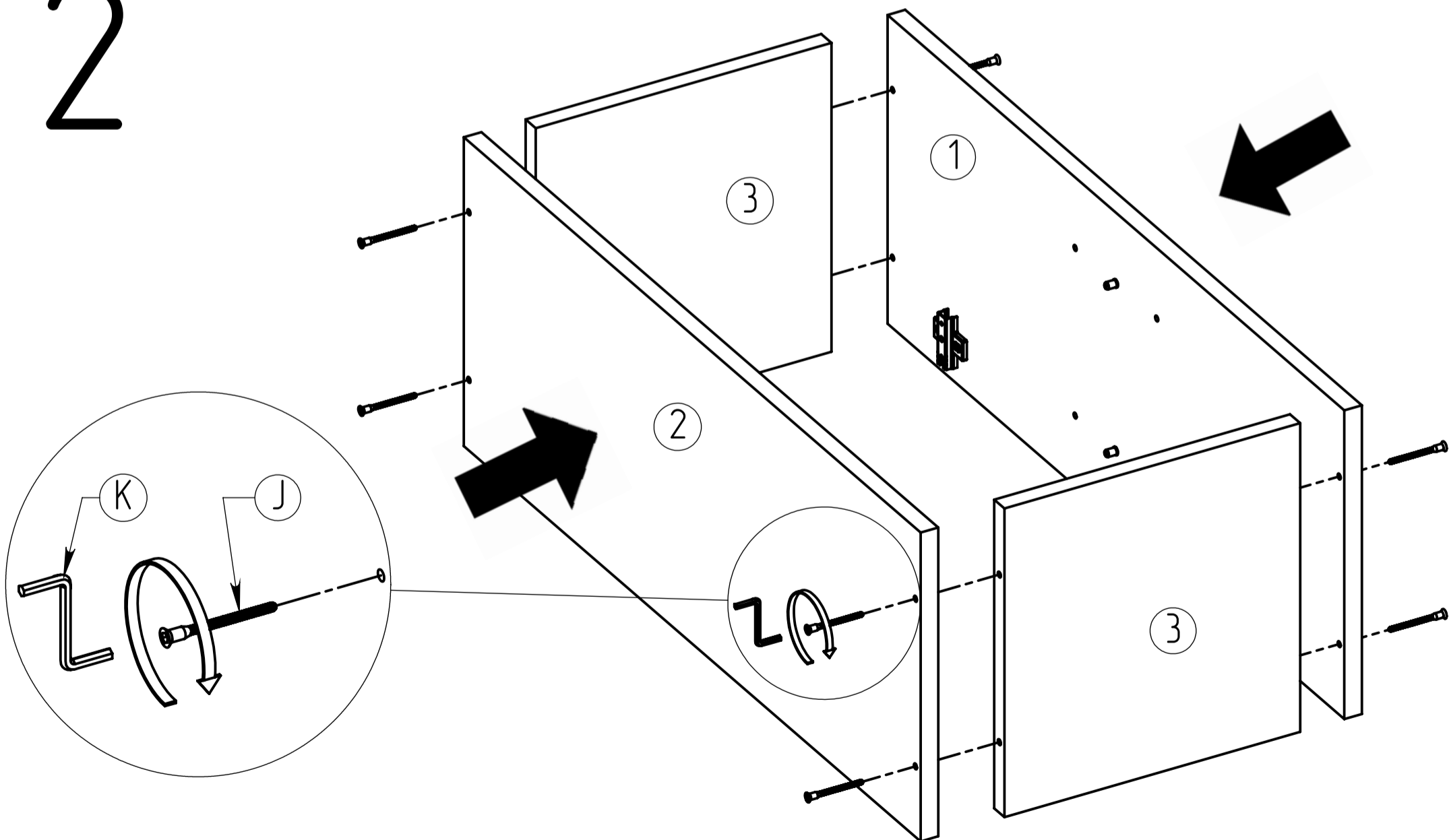
## B 30/72    B35/72    B 40/72    B 45/72    B 50/72    B 60/72/1    x

	B 30/72	B35/72	B 40/72	B 45/72	B 50/72	B 60/72/1	x
①	717x280x16	717x280x16	717x280x16	717x280x16	717x280x16	717x280x16	1
②	717x280x16	717x280x16	717x280x16	717x280x16	717x280x16	717x280x16	1
③	268x280x16	318x280x16	368x280x16	481x280x16	468x280x16	568x280x16	2
④	714x148x2,5	-	714x198x2,5	-	714x148x2,5	-	2
	-	714x198x2,5	-	-	714x198x2,5	-	1
	-	-	-	714x148x2,5	-	714x198x2,5	3
	-	714x148x2,5	-	-	-	-	1
⑤	713x296x16	713x346x16	713x396x16	713x446x16	713x496x16	713x596x16	1
⑥	266x260x16	316x260x16	366x260x16	416x260x16	466x260x16	566x260x16	1

# 1

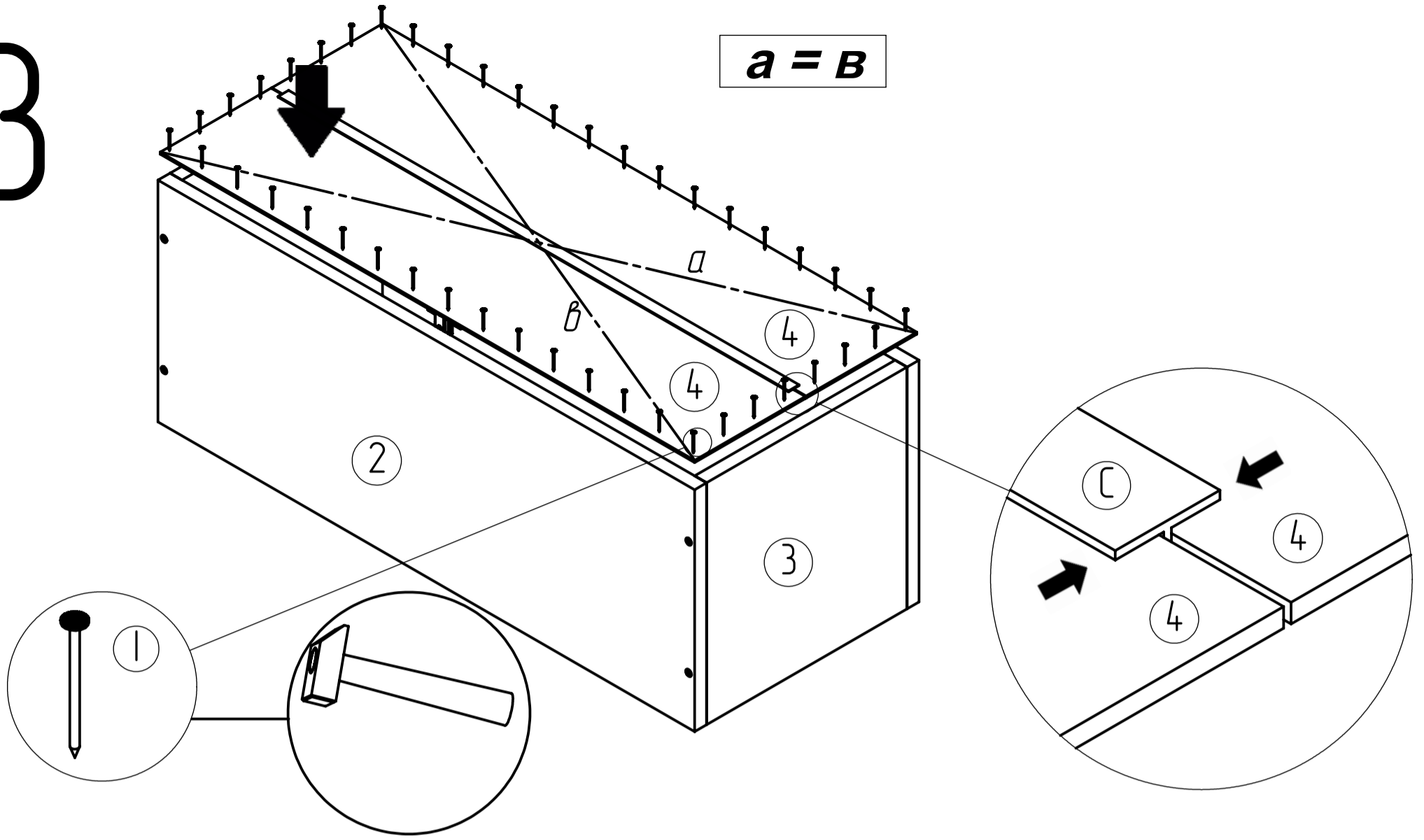


# 2

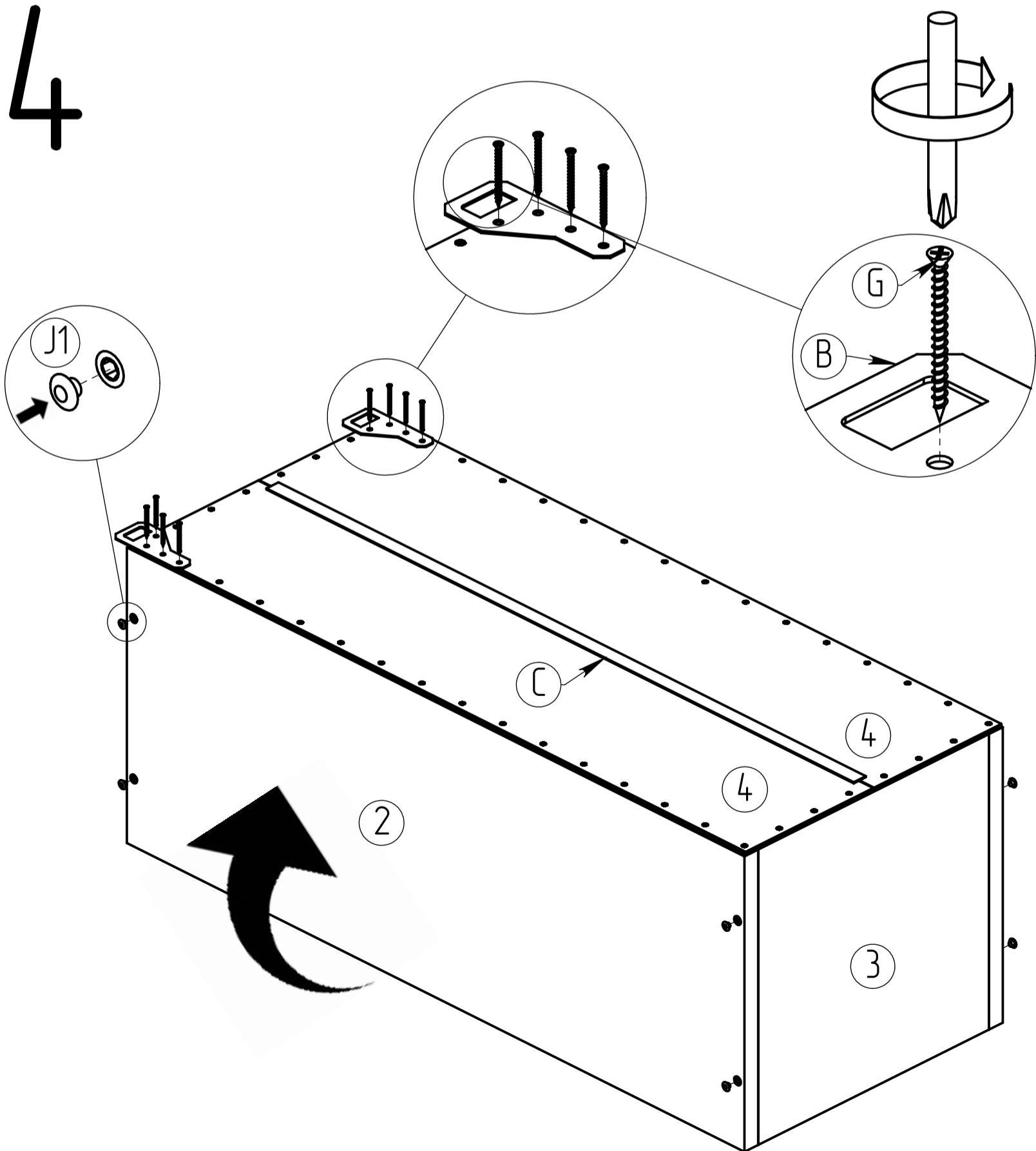


3

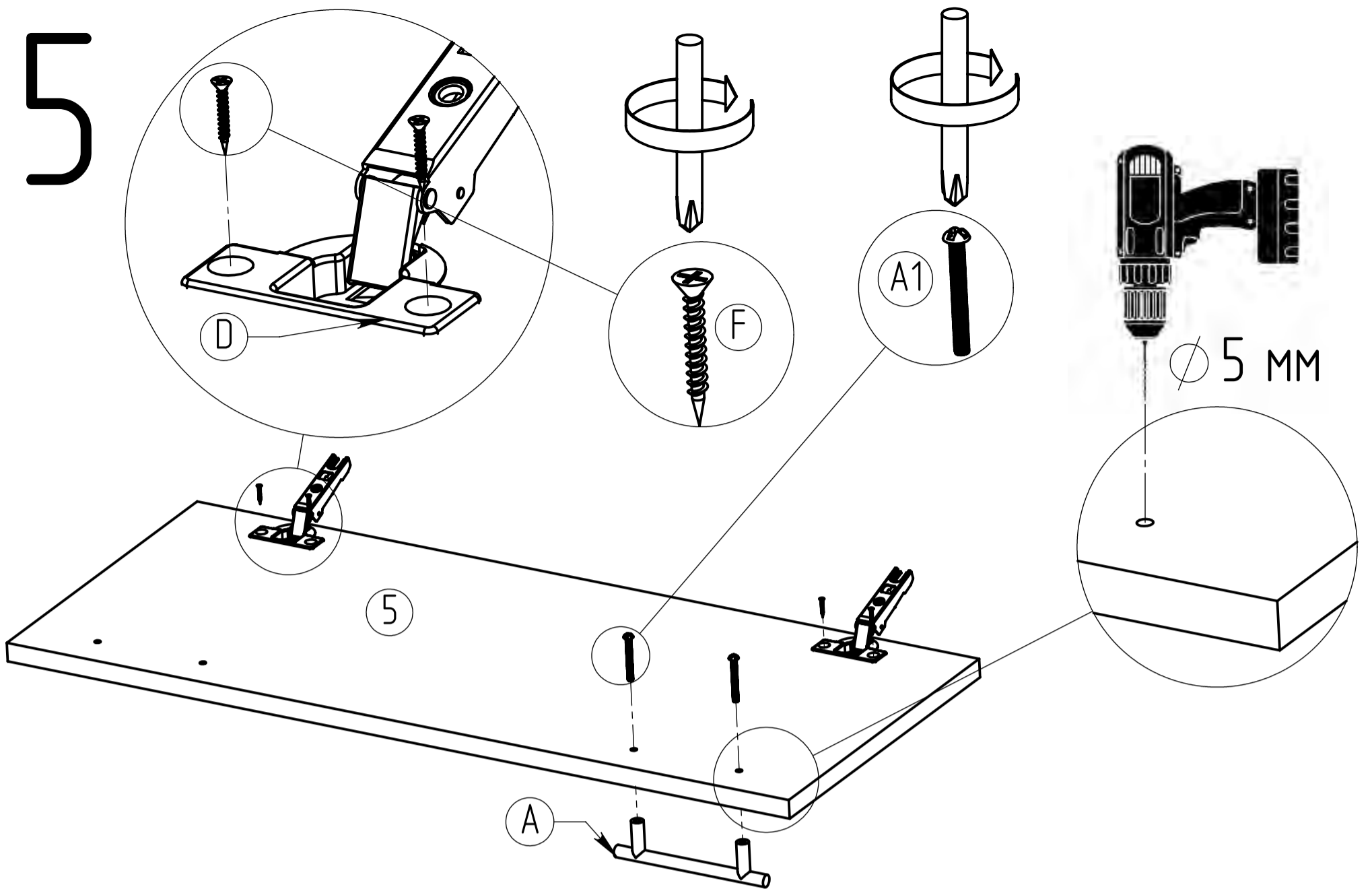
$$a = b$$



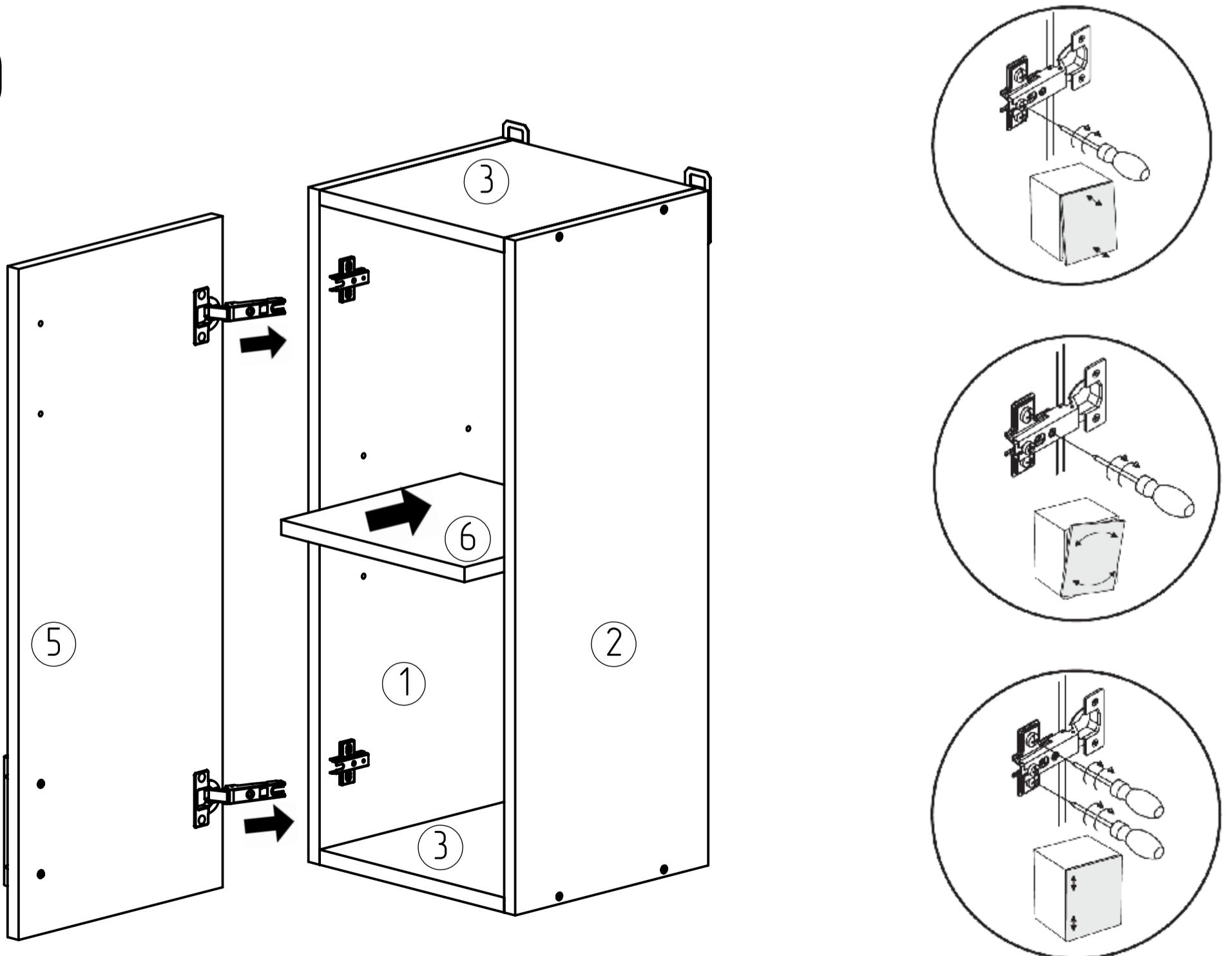
4



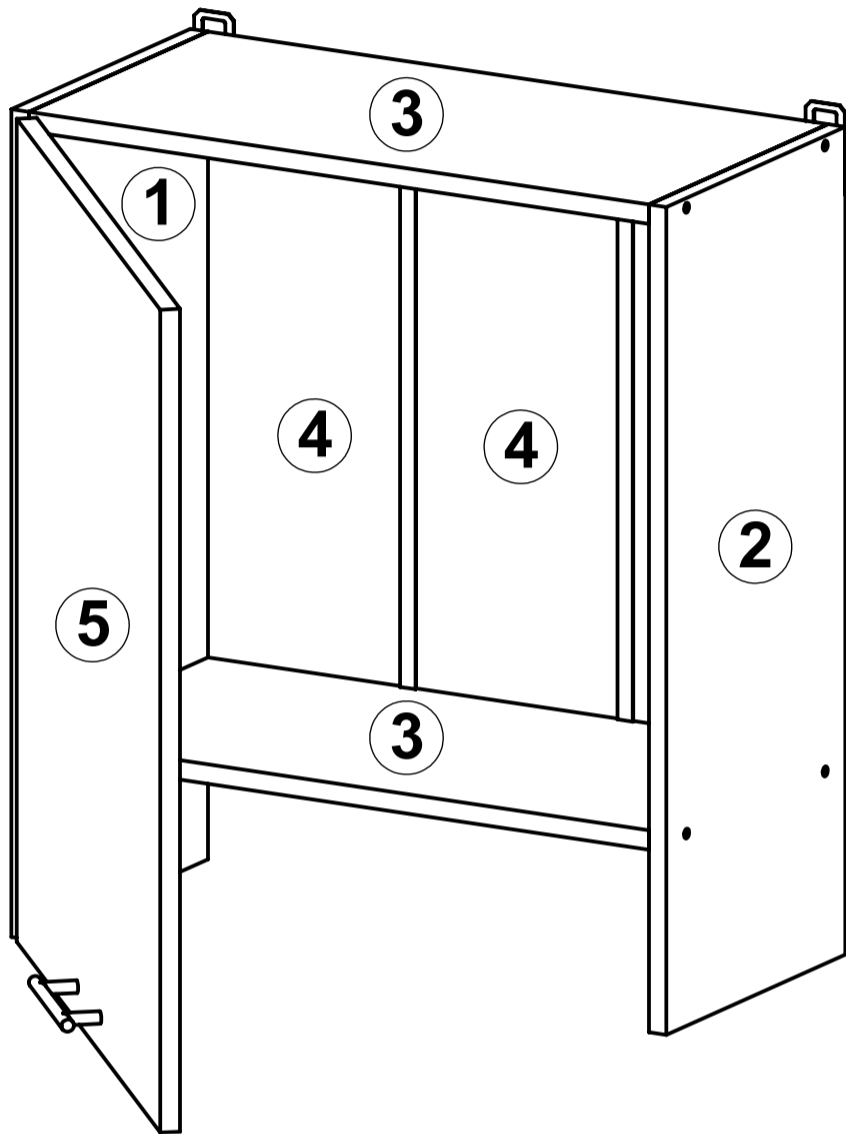
# 5






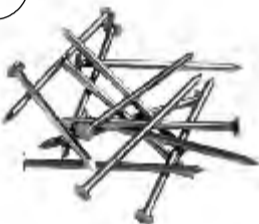






# 6



# Wall Units 72



(A)  x2	(B)  x1	(C) 4,0*16  x4
(D) 4,0*30  x8	(E)  x2	(F)  x15
(G)  x2	(H)  x4	(I)  x2
(J)  x8		

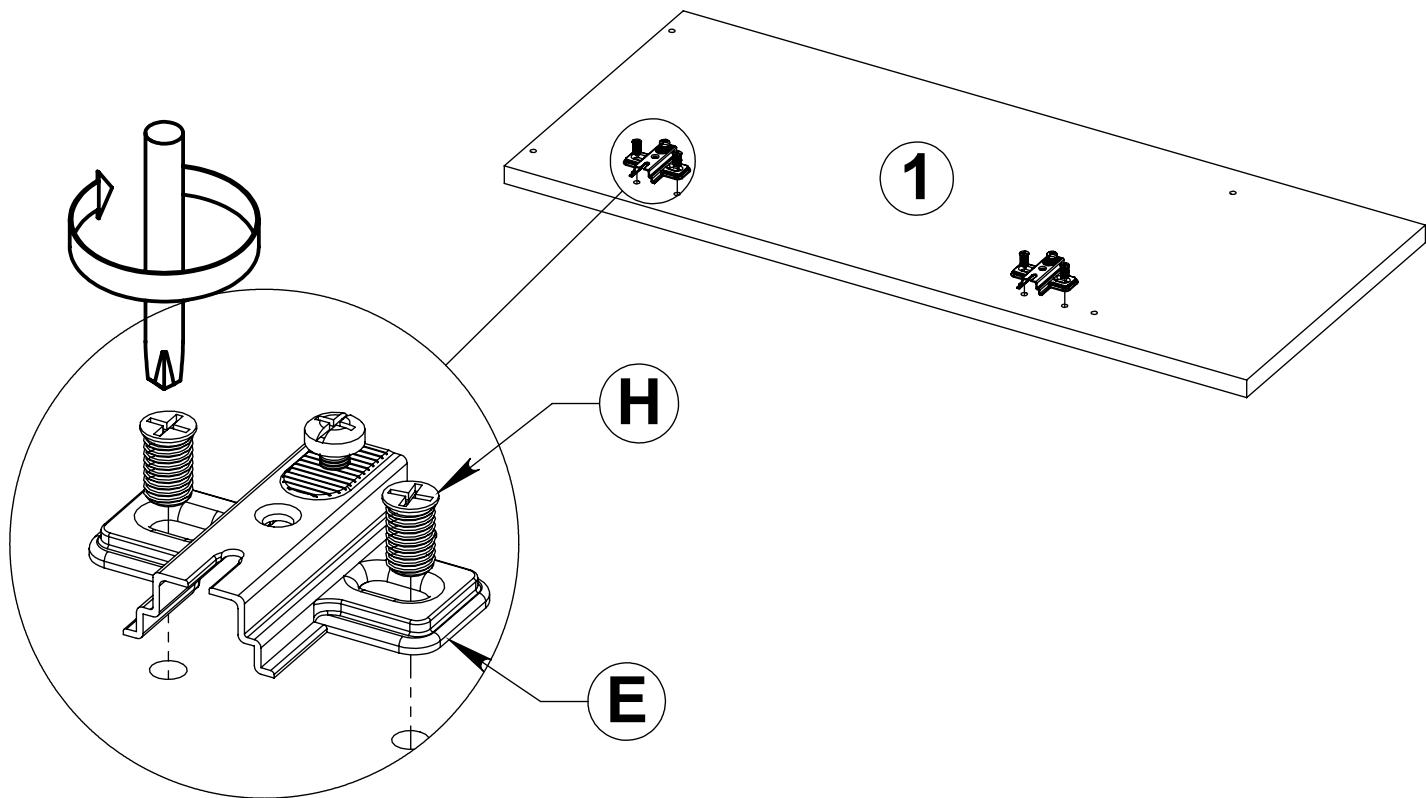
**No**

**x**

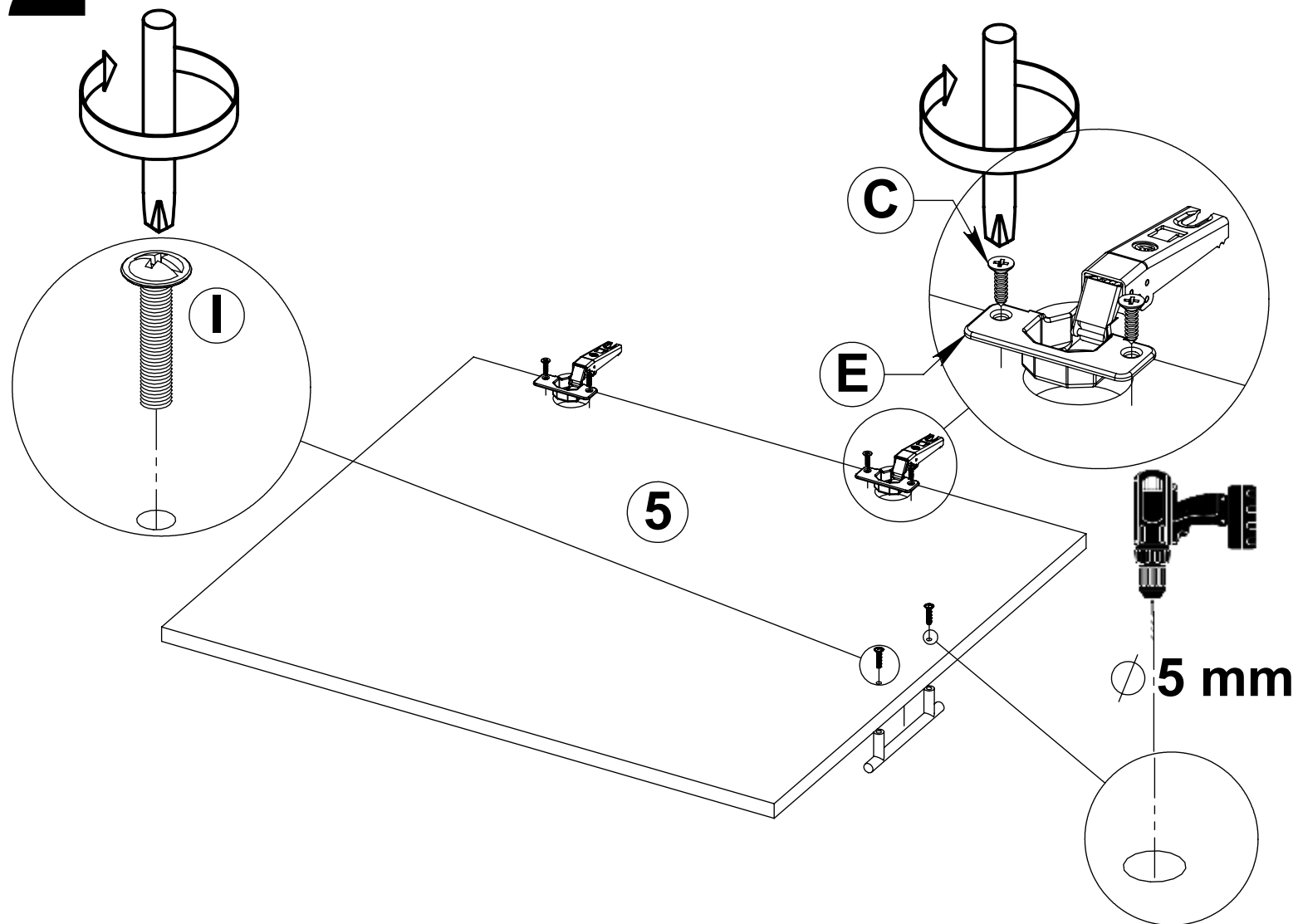
(1)	685x280x16	1
(2)	685x280x16	1
(3)	678x280x16	2
(4)	681x198x2,5	3
(5)	680x596x16	1
(6)	776x260x16	1

**G40-KT-064-A**

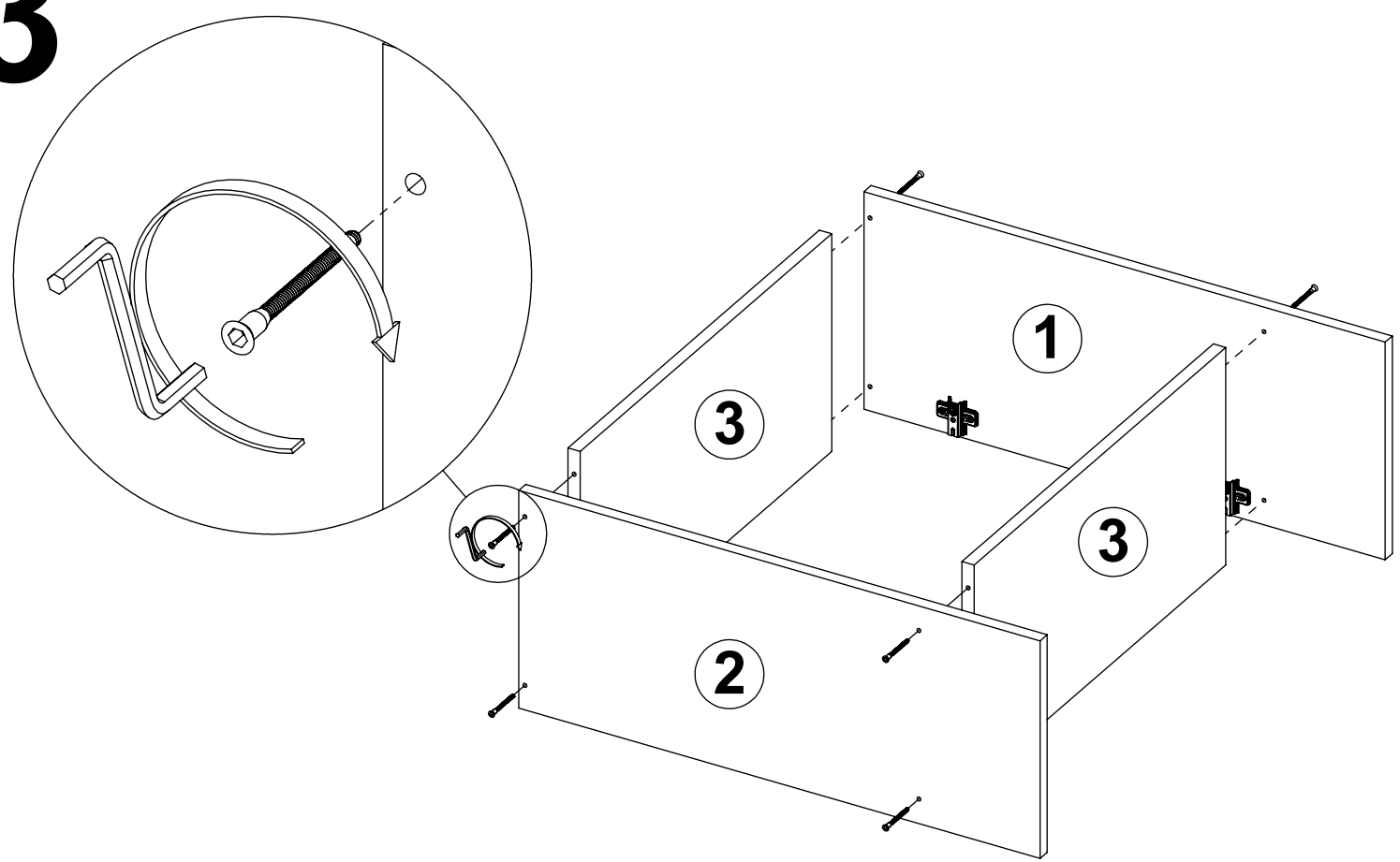
# 1



# 2

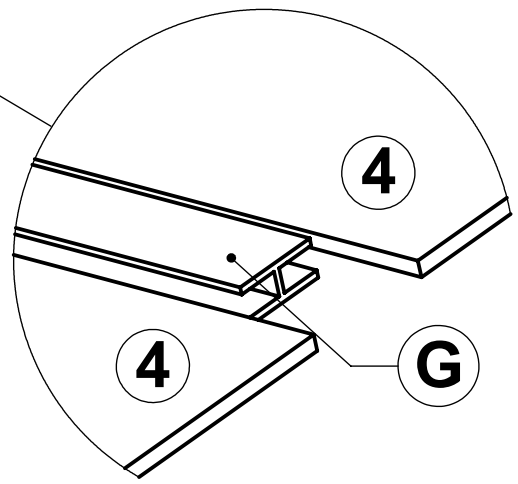
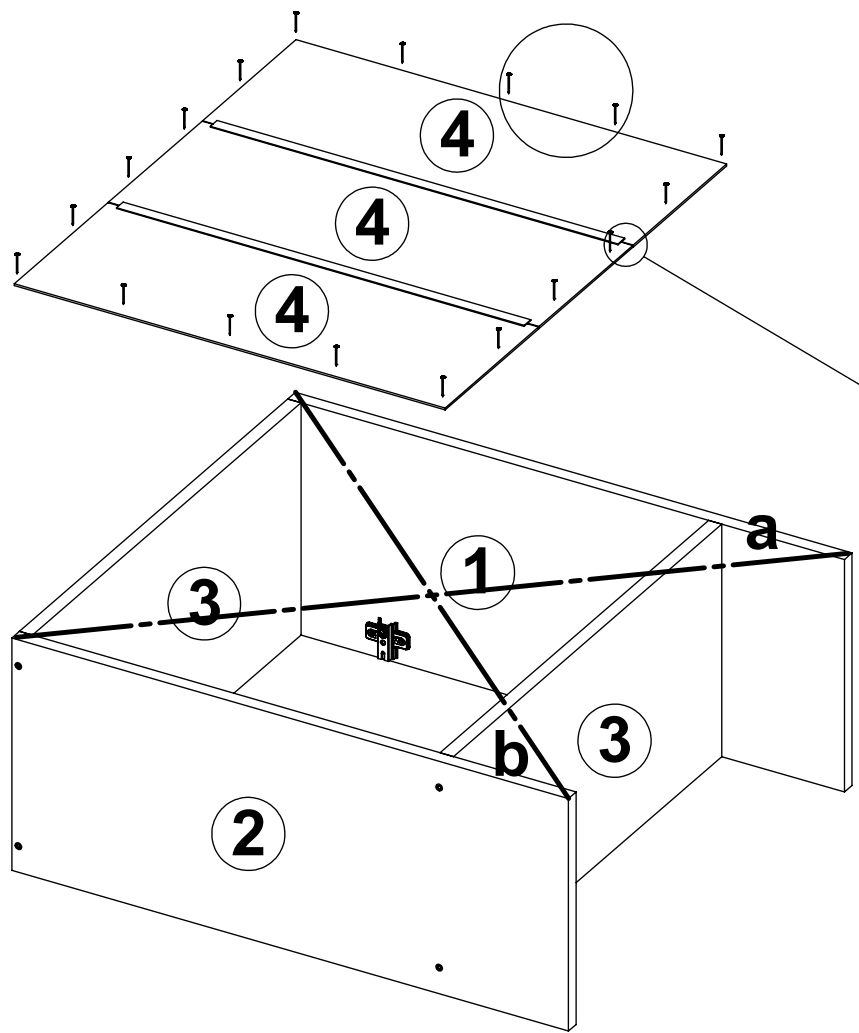
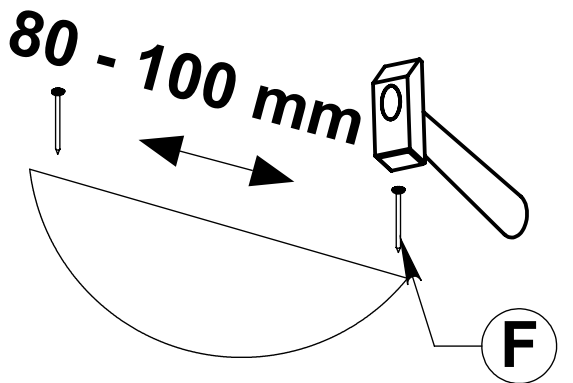


# 3

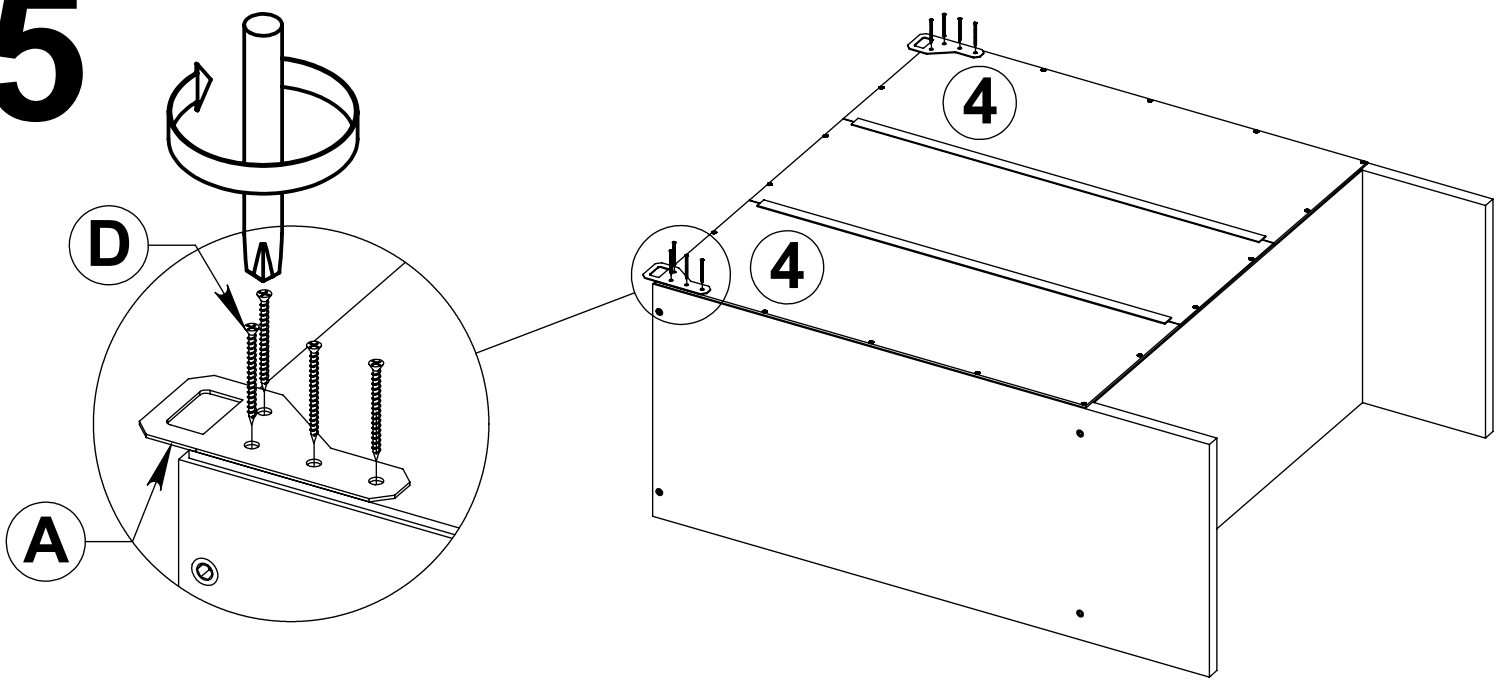


# 4

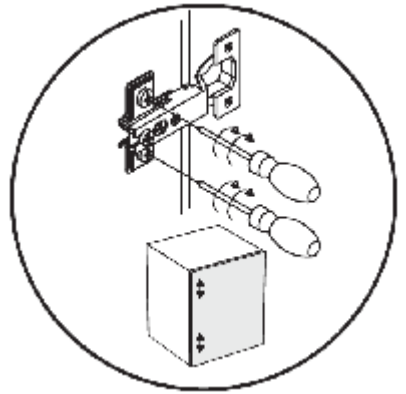
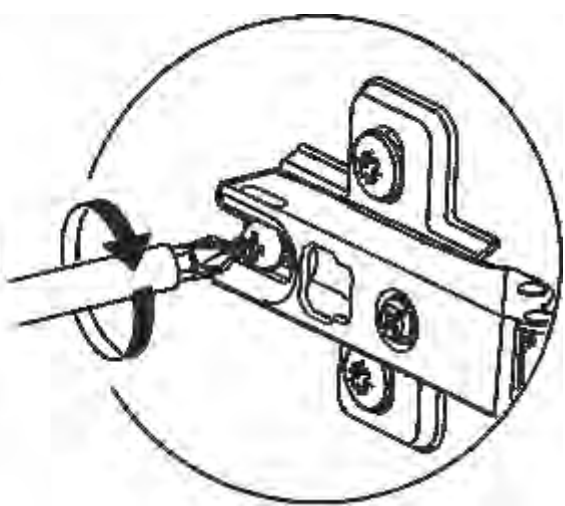
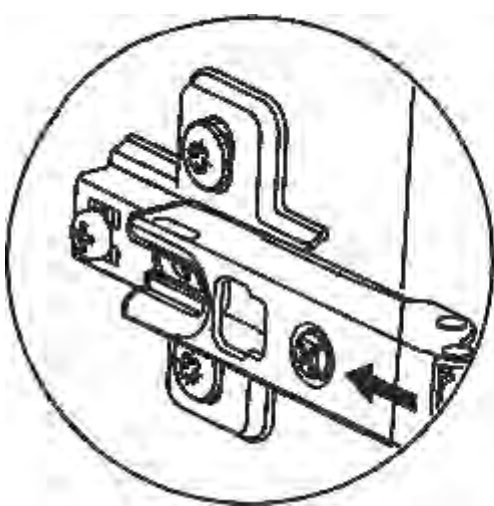
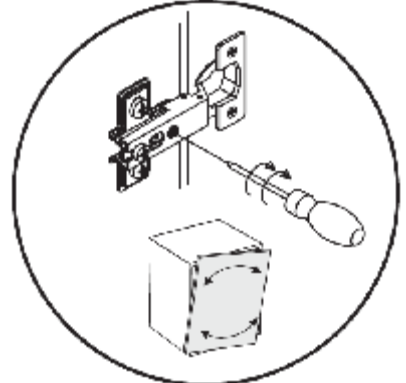
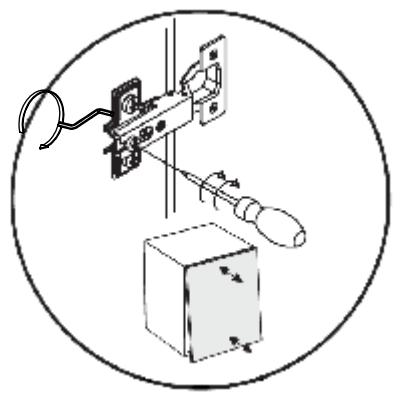
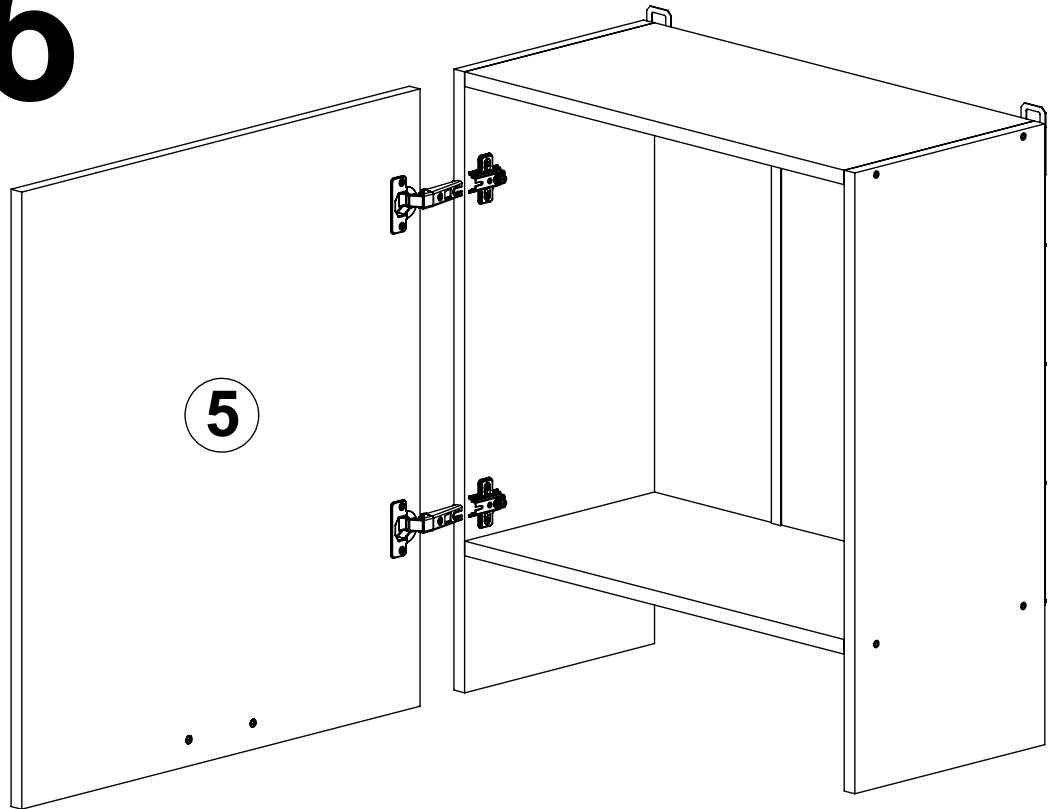
$a = b$



# 5

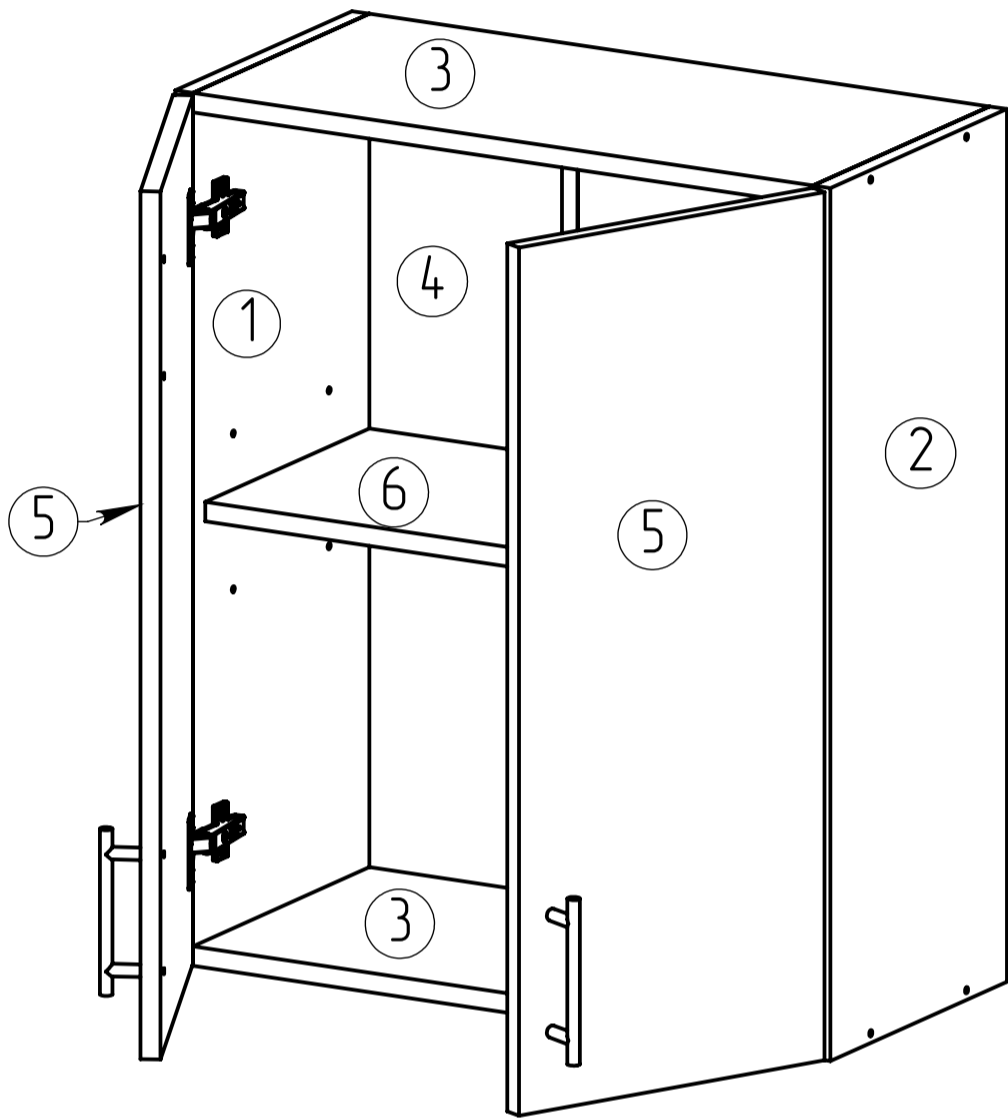














# 6





# Wall Units 72



(A)  x2	(B)  x	(C)  x2
(D)  x4	(E)  x4	(F)  x8 4,0*16
(G)  x8 4,0*30	(H)  x8 6,3*13	(I)  x15
(J)  x8	(J1)  x8	(K)  x1

**B 60/72**

**x**

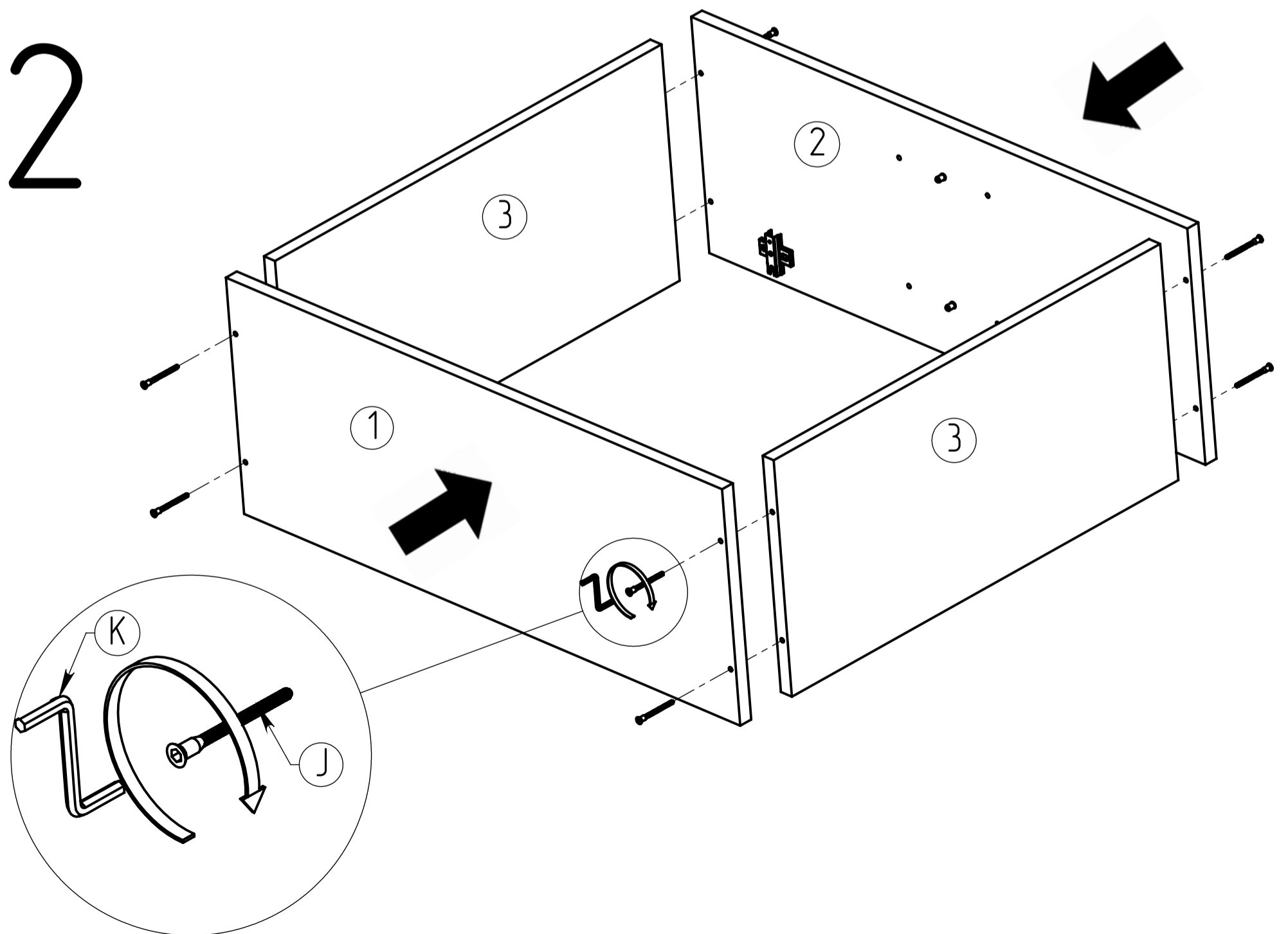
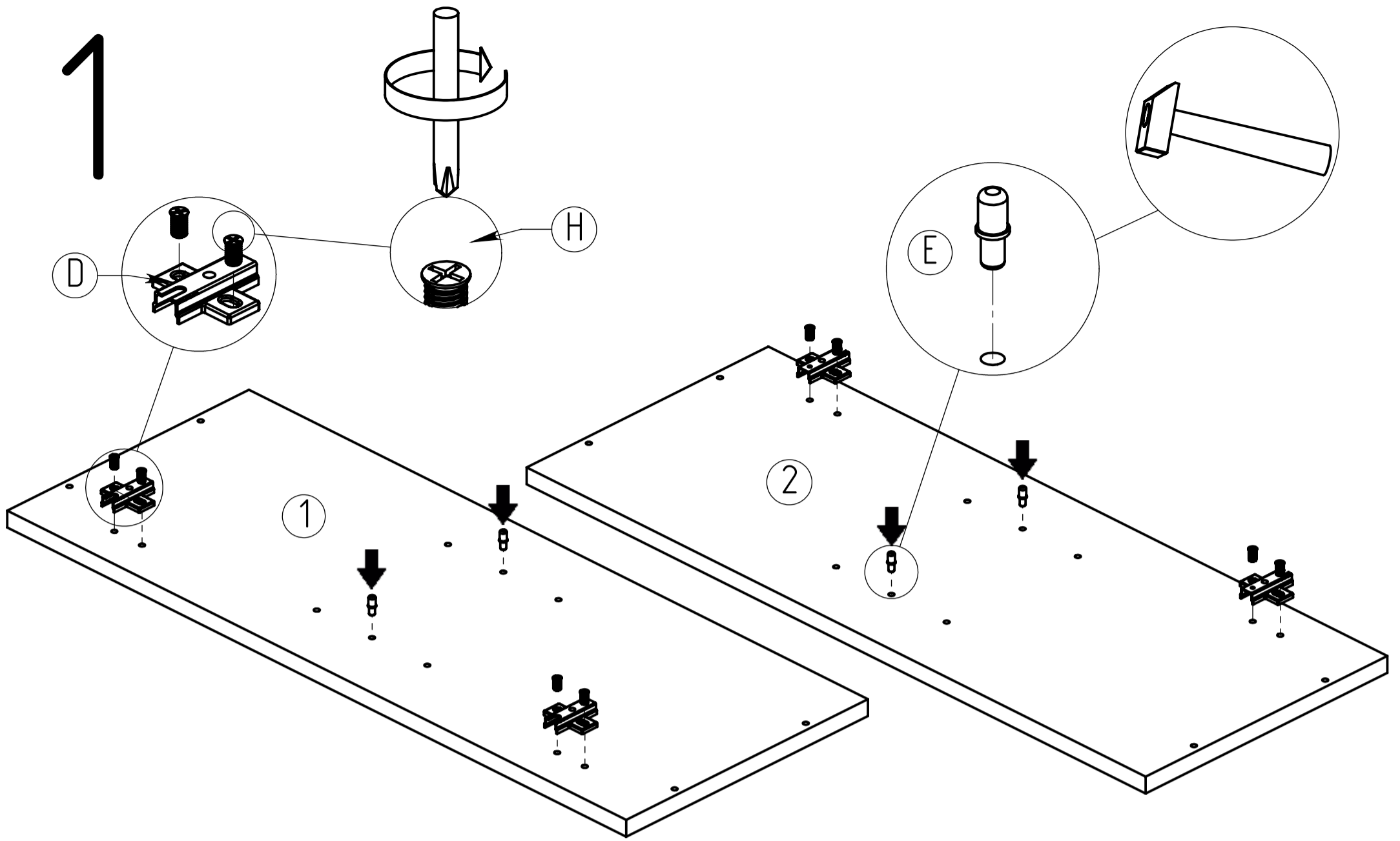
**B 70/72**

**x**

**B 80/72**

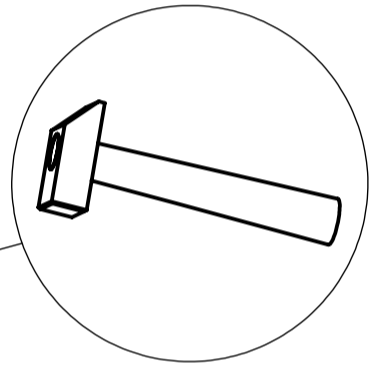
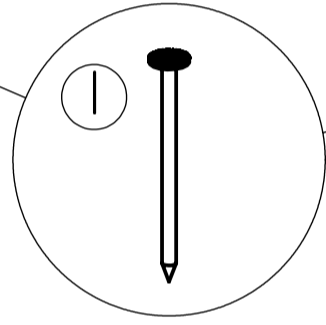
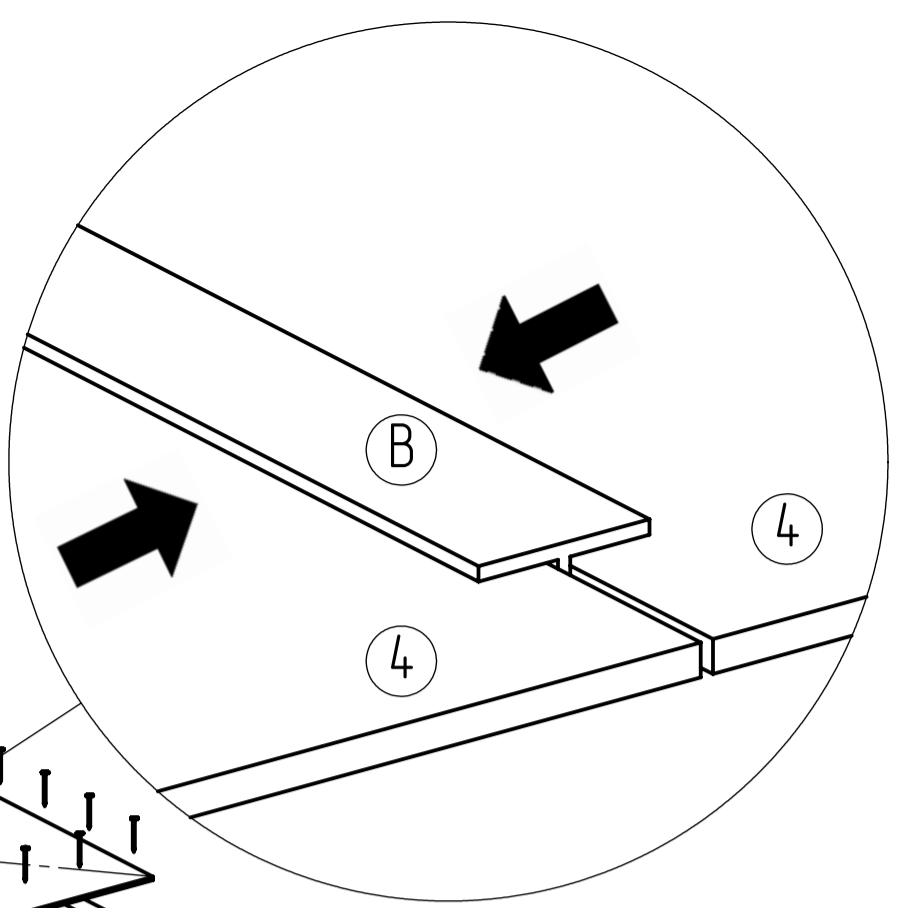
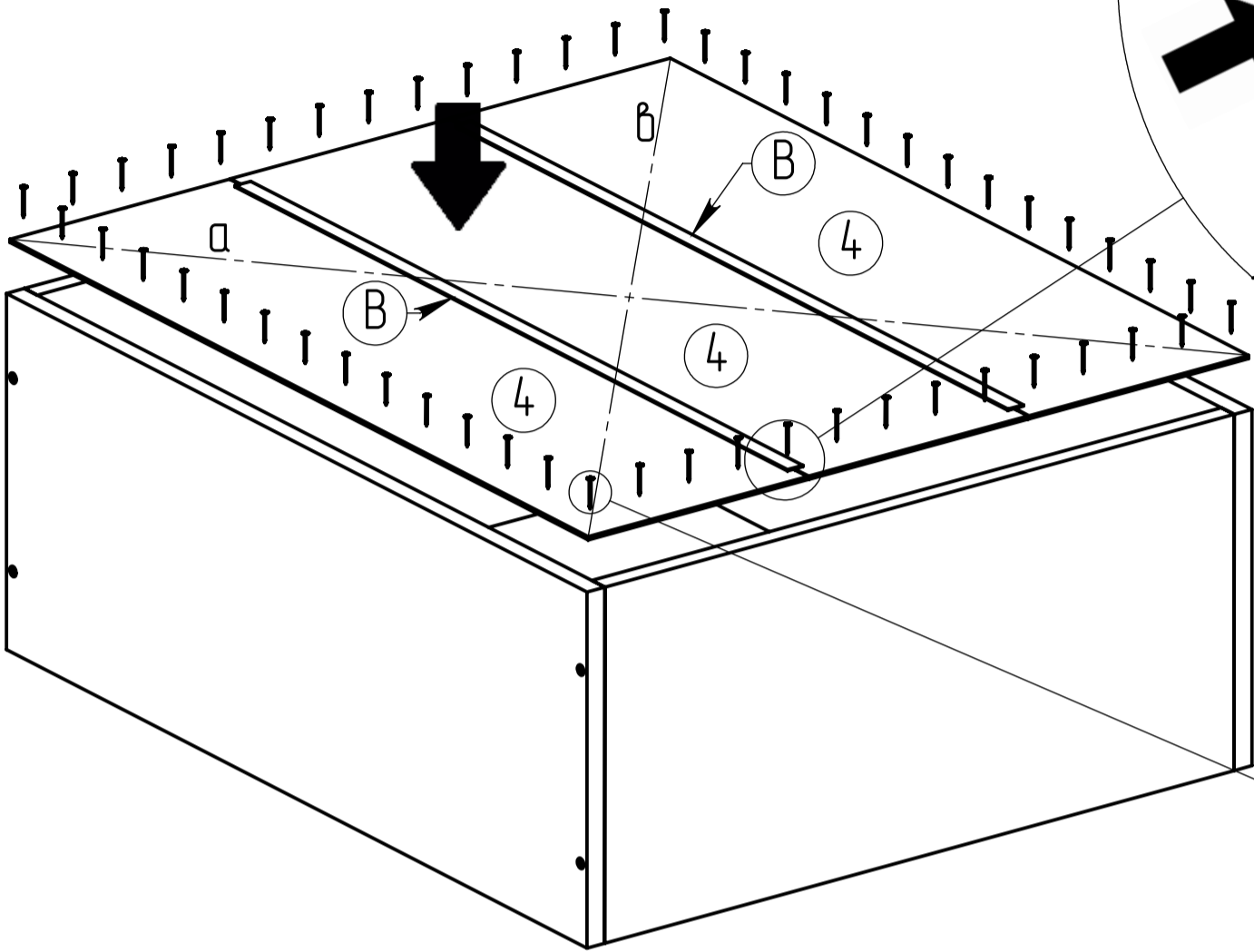
**x**

	B 60/72	x	B 70/72	x	B 80/72	x
(1)	717x280x16	1	717x280x16	1	717x280x16	1
(2)	717x280x16	1	717x280x16	1	717x280x16	1
(3)	568x280x16	2	668x280x16	2	768x280x16	2
(4)	714x198x2,5	3	714x198x2,5	2	714x198x2,5	4
	-	-	714x148x2,5	2	-	-
(5)	713x296x16	2	713x346x16	2	713x396x16	2
(6)	566x260x16	1	666x260x16	1	766x260x16	1

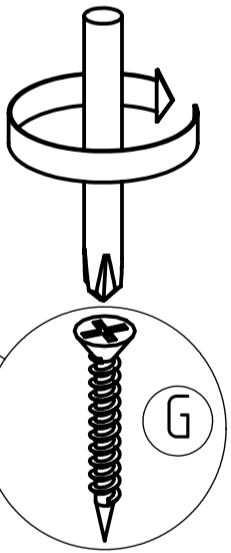
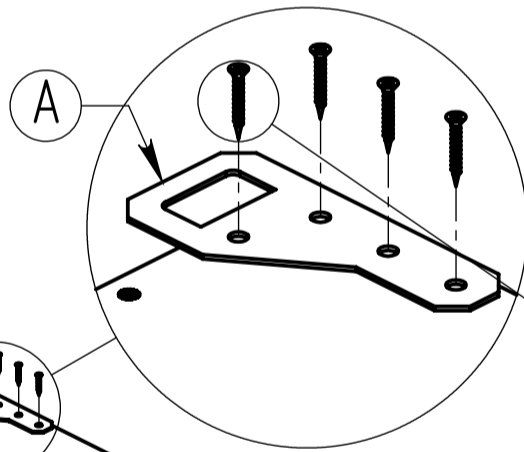
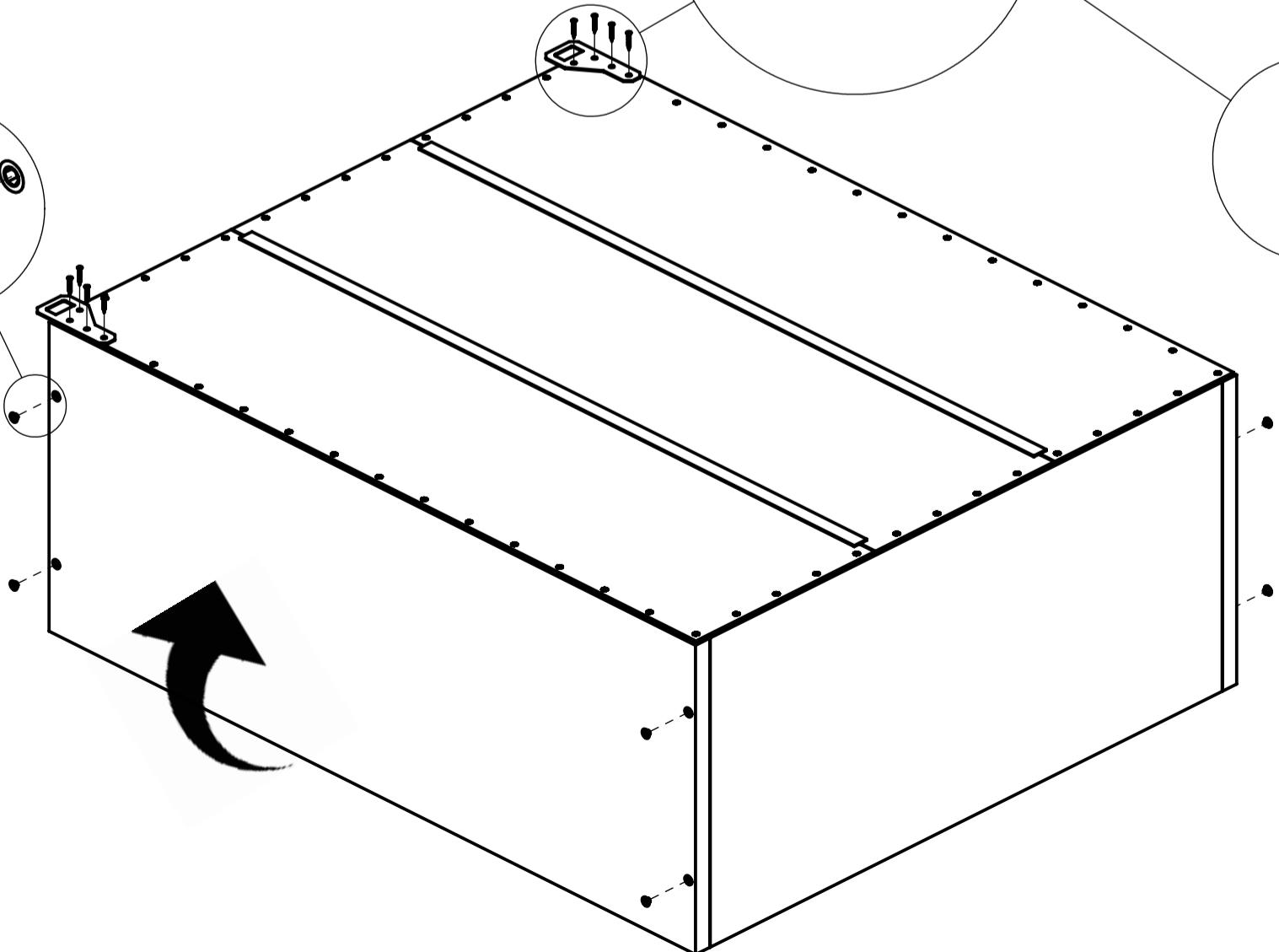
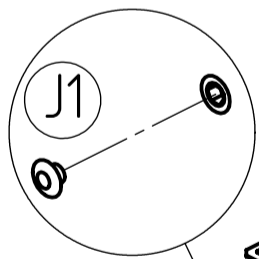


# 3

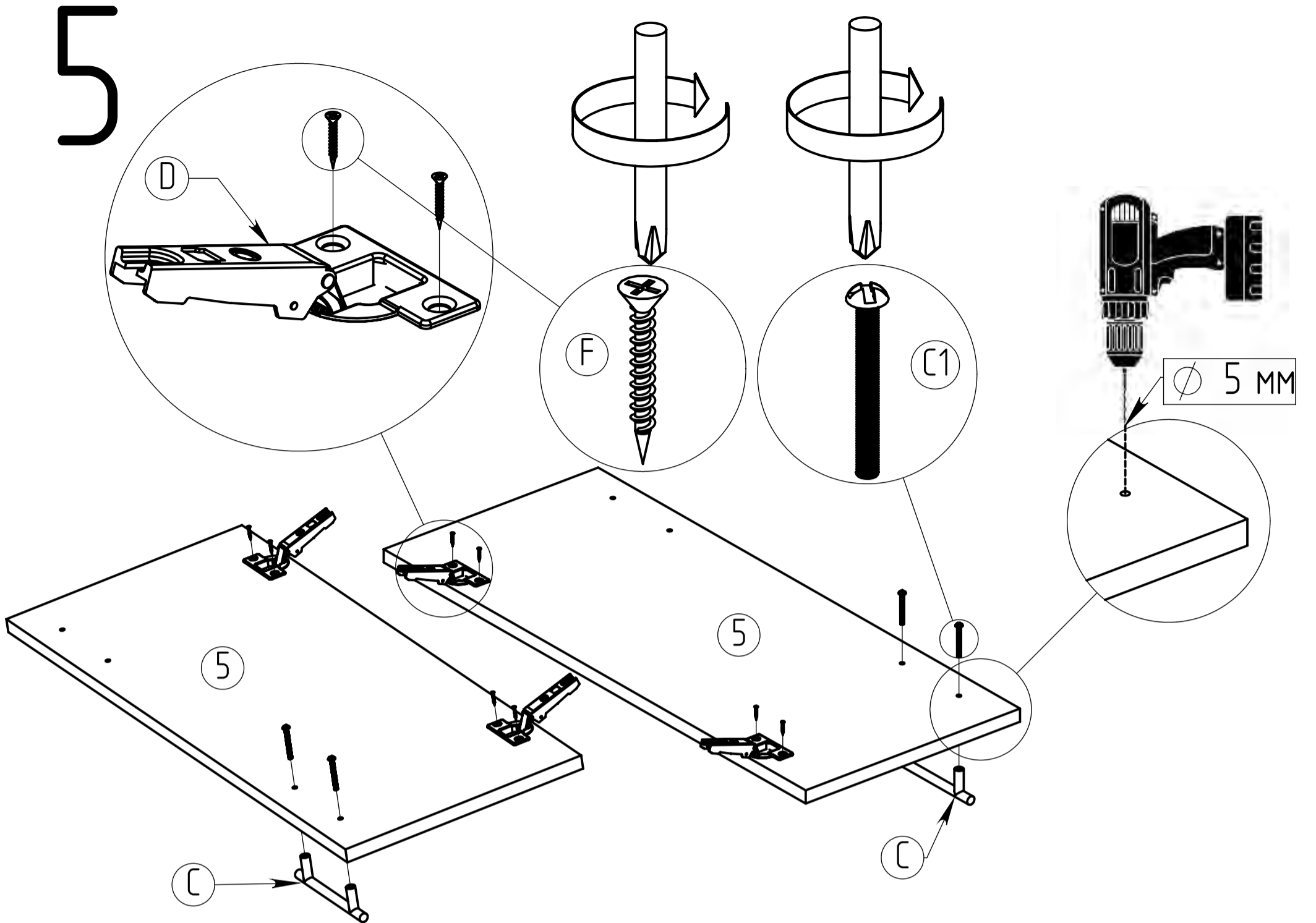
$$a = b$$



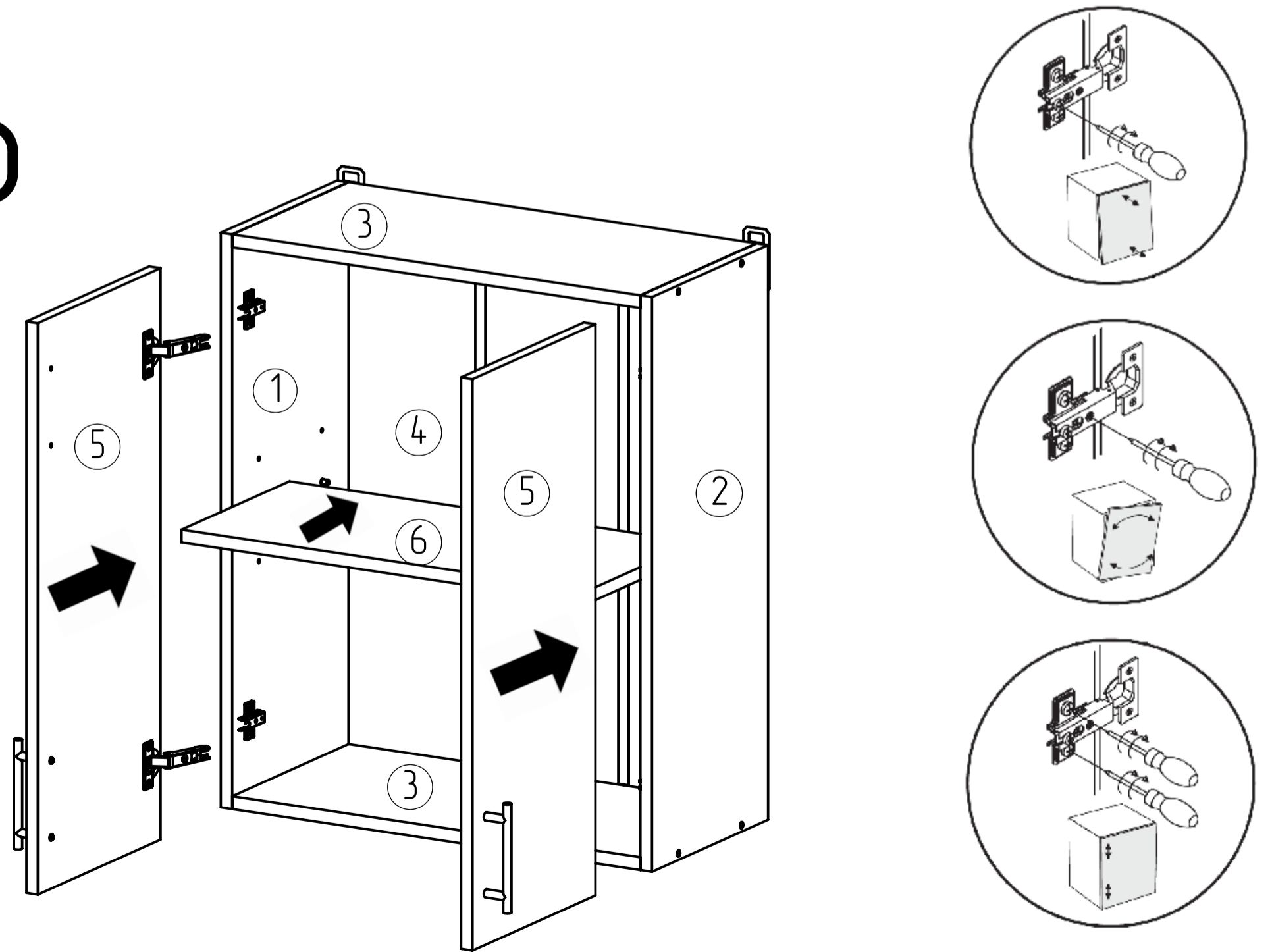
# 4



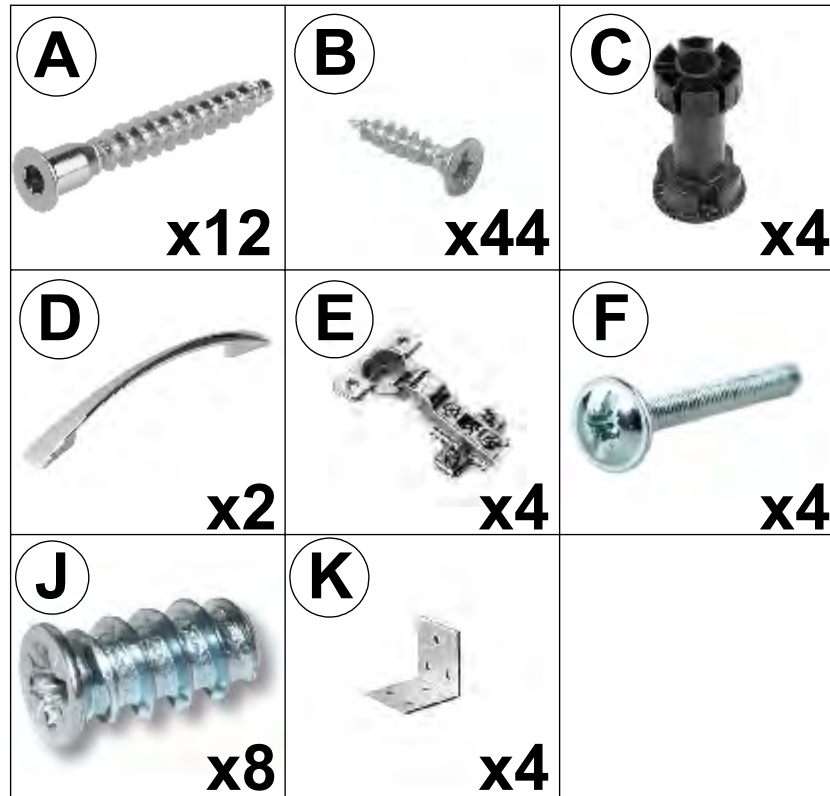
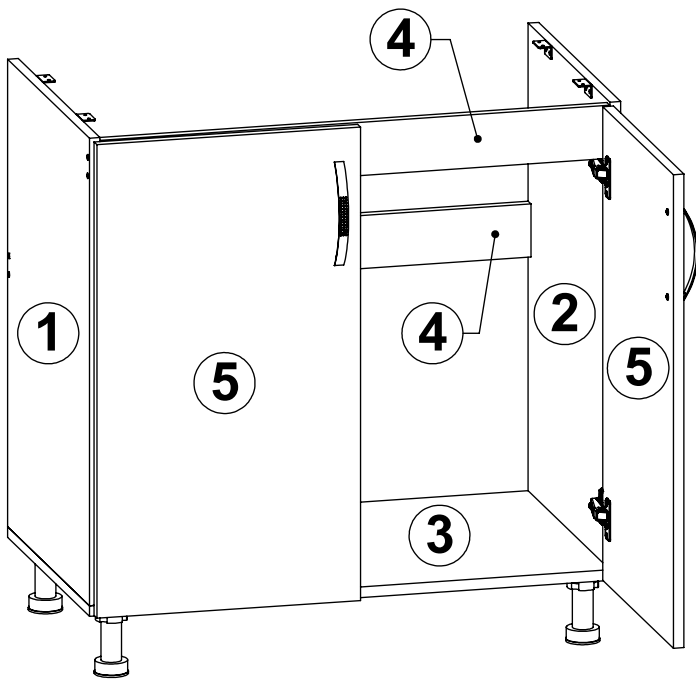
# 5



# 6



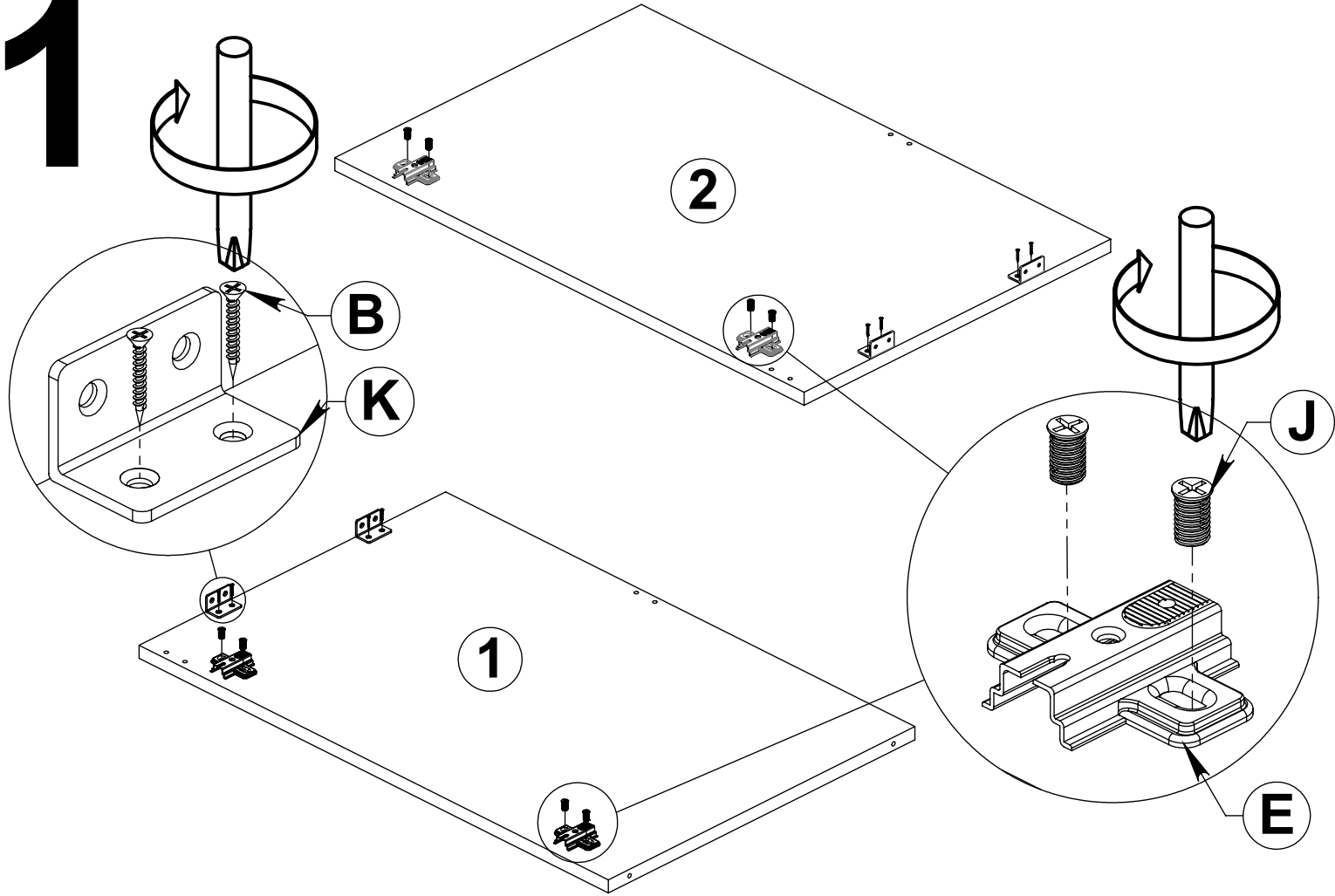
# LOW Units



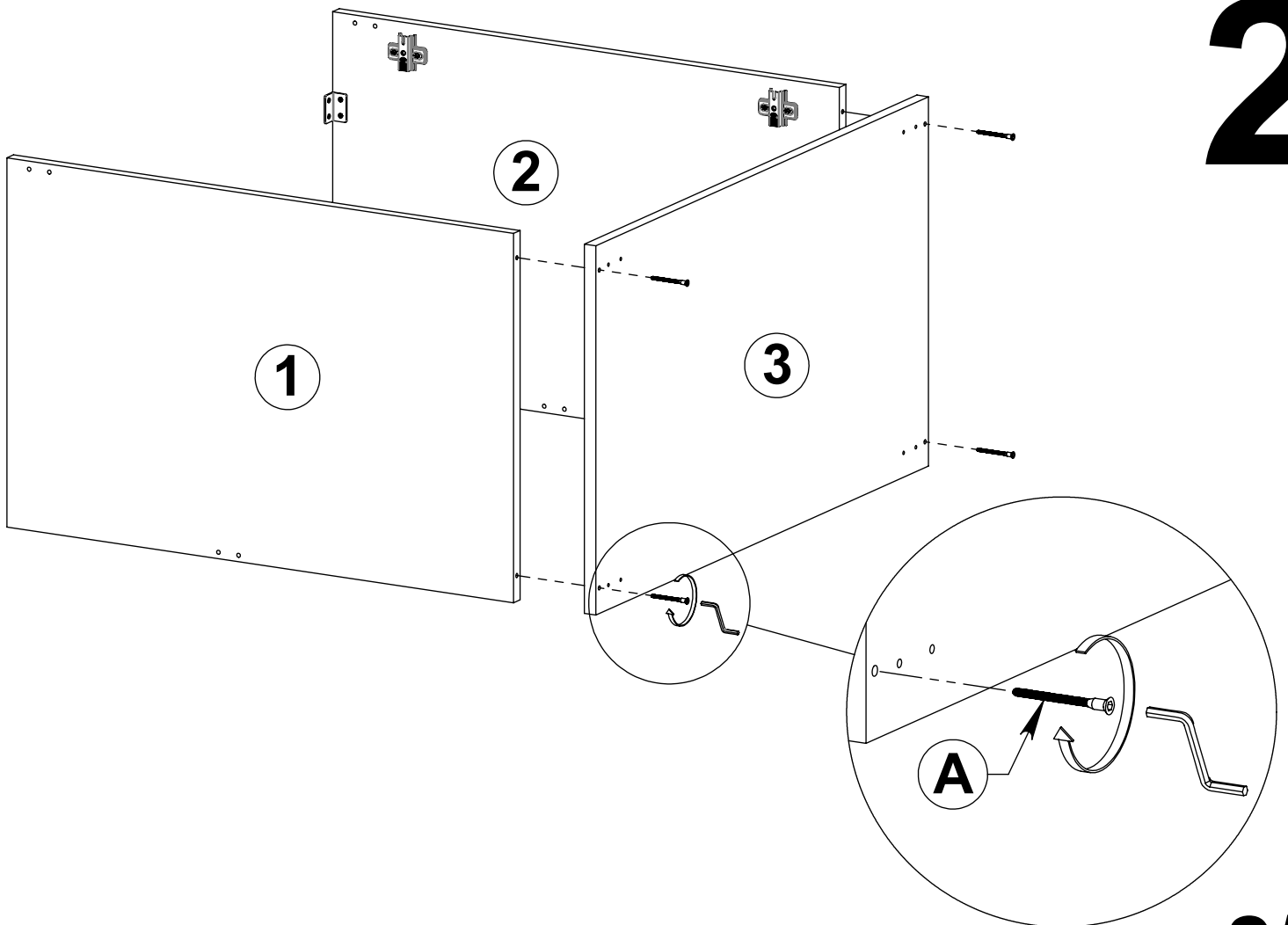
No	60/82	70/82	80/82	X
①	704x460	704x460	704x460	1
②	704x460	704x460	704x460	1
③	600x460	700x460	800x460	1
④	568x80	668x80	768x80	2
⑤	713x296	713x346	713x396	2

**G40-KT-033-A**

# 1

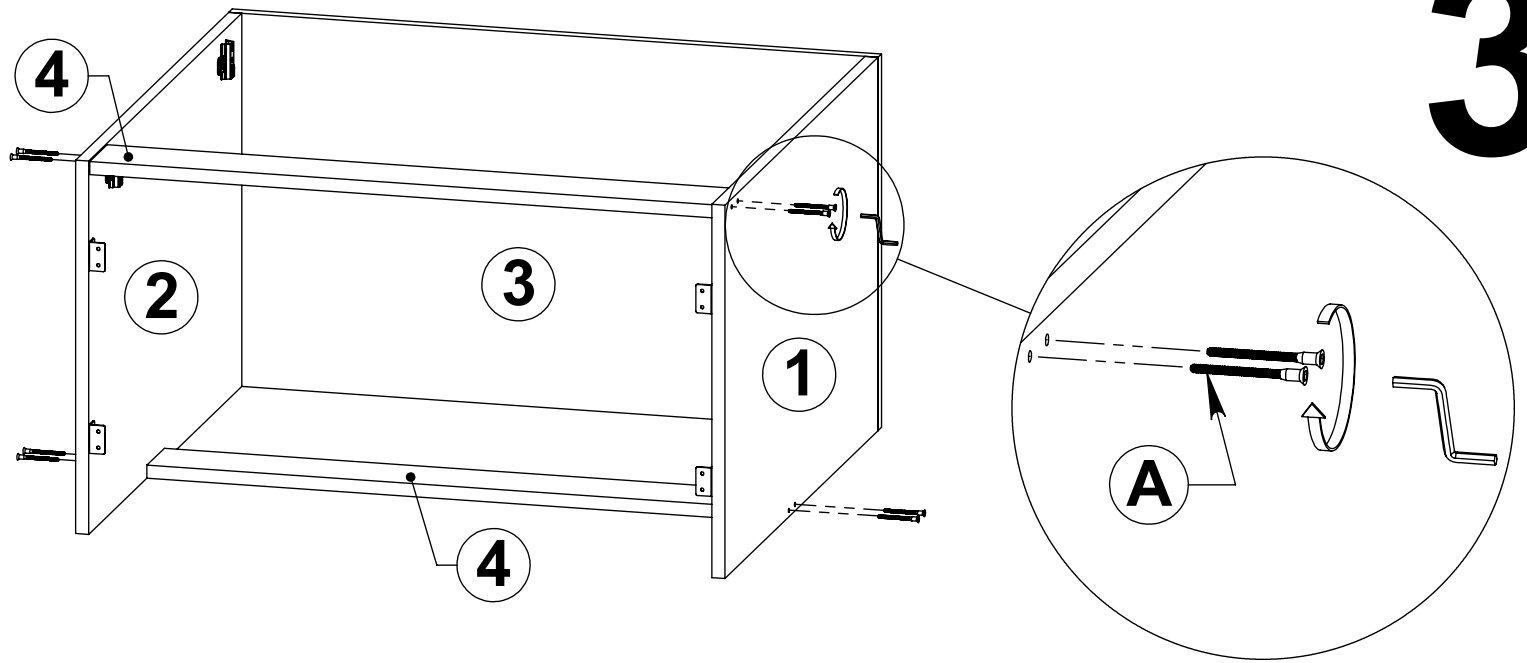


# 2

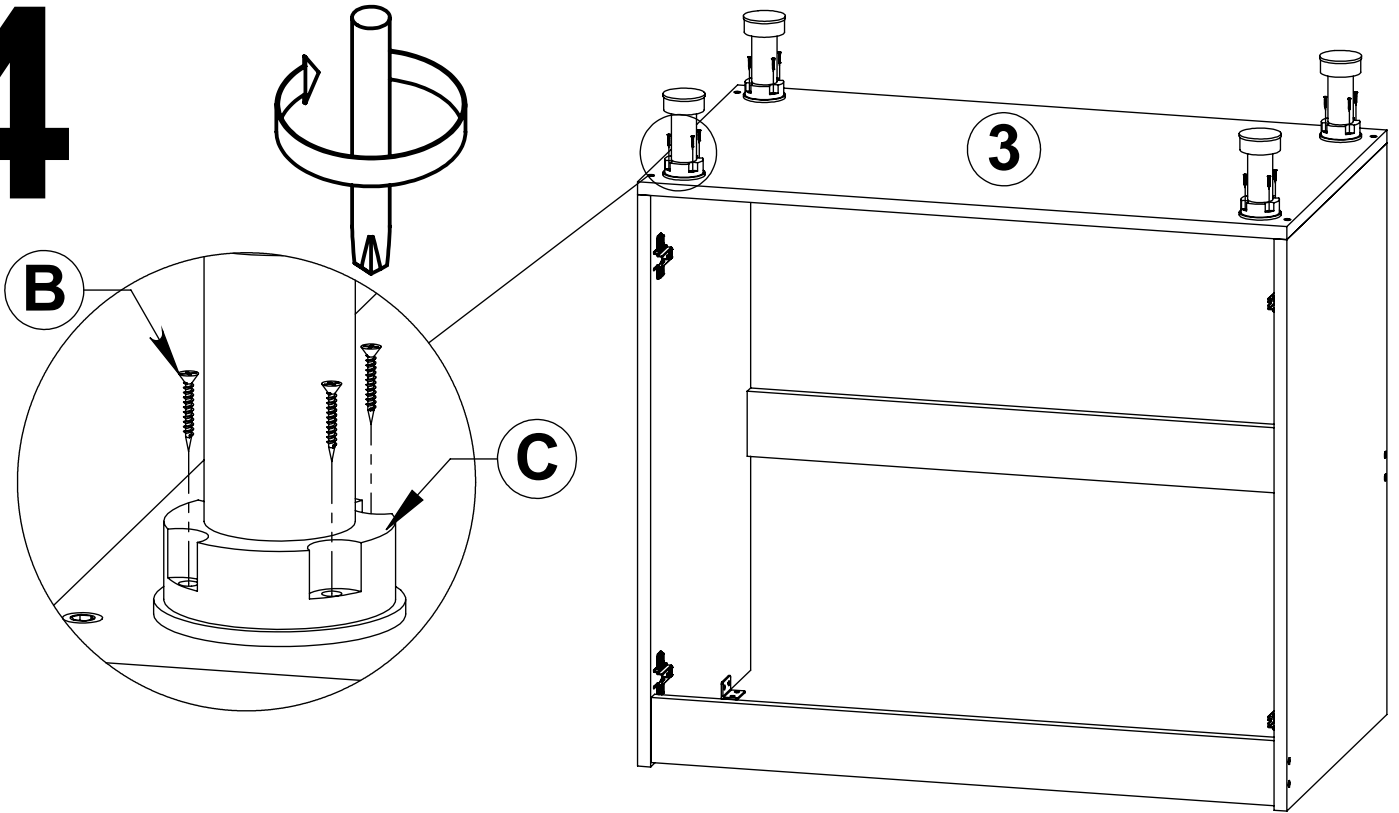


# 2/4

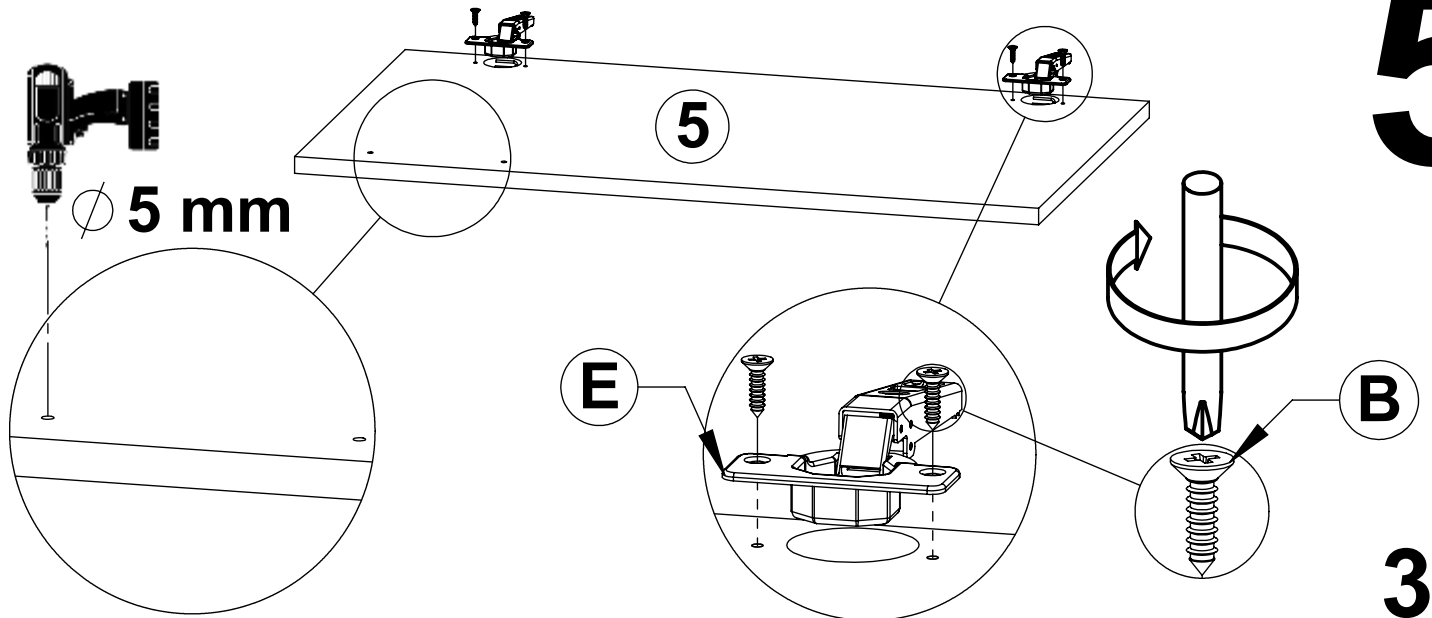
# 3



# 4

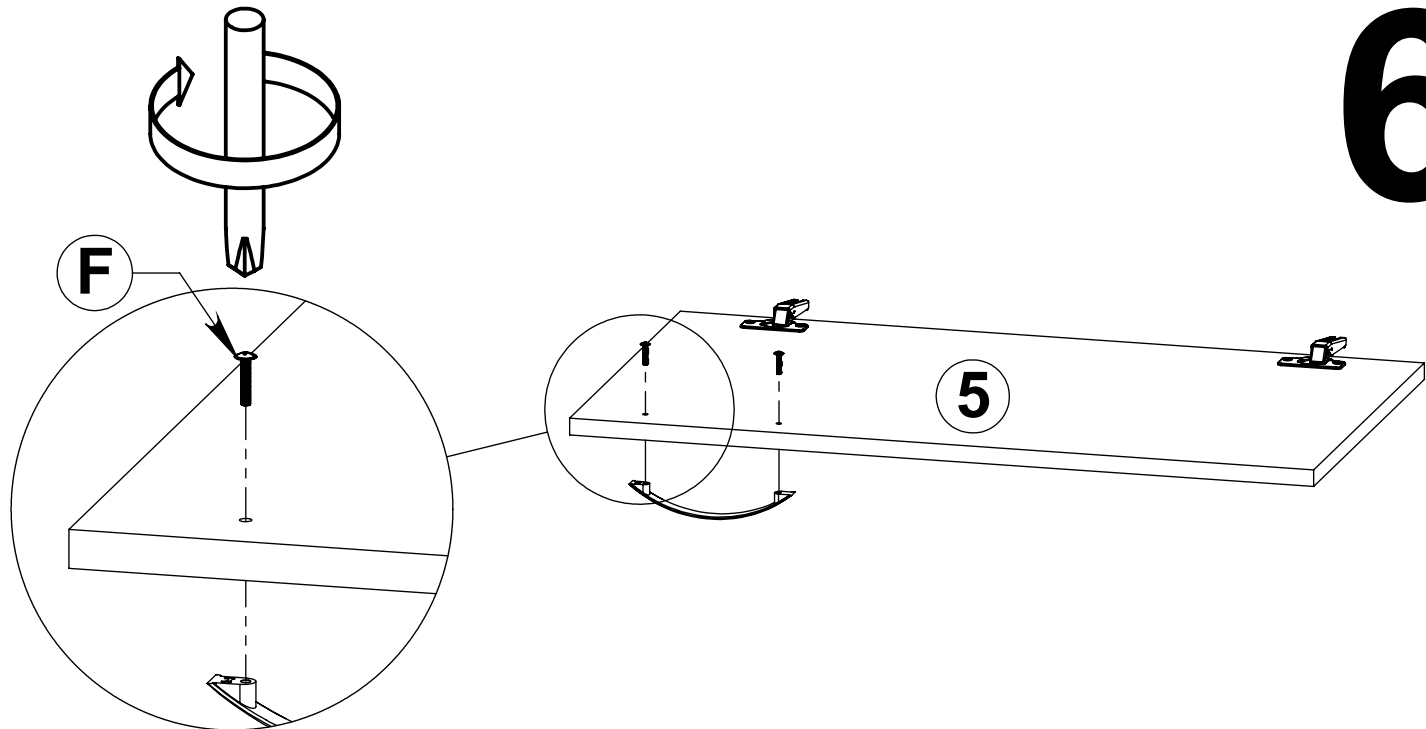


# 5

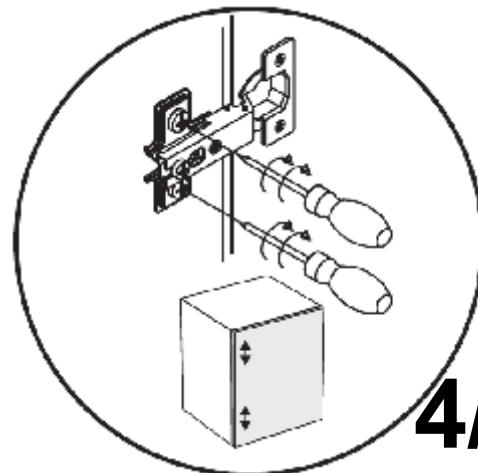
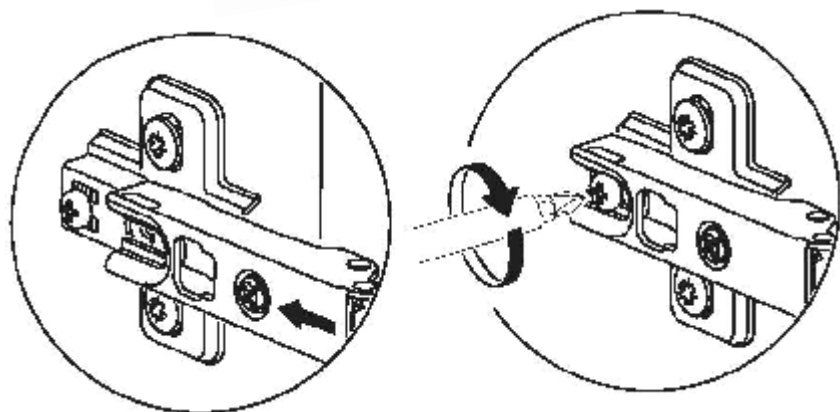
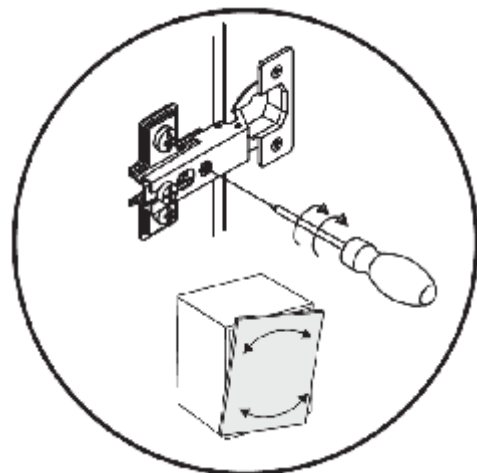
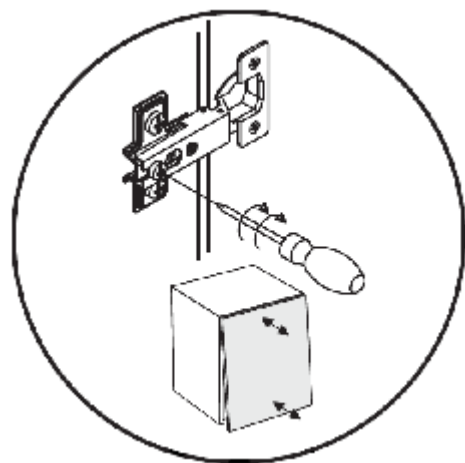
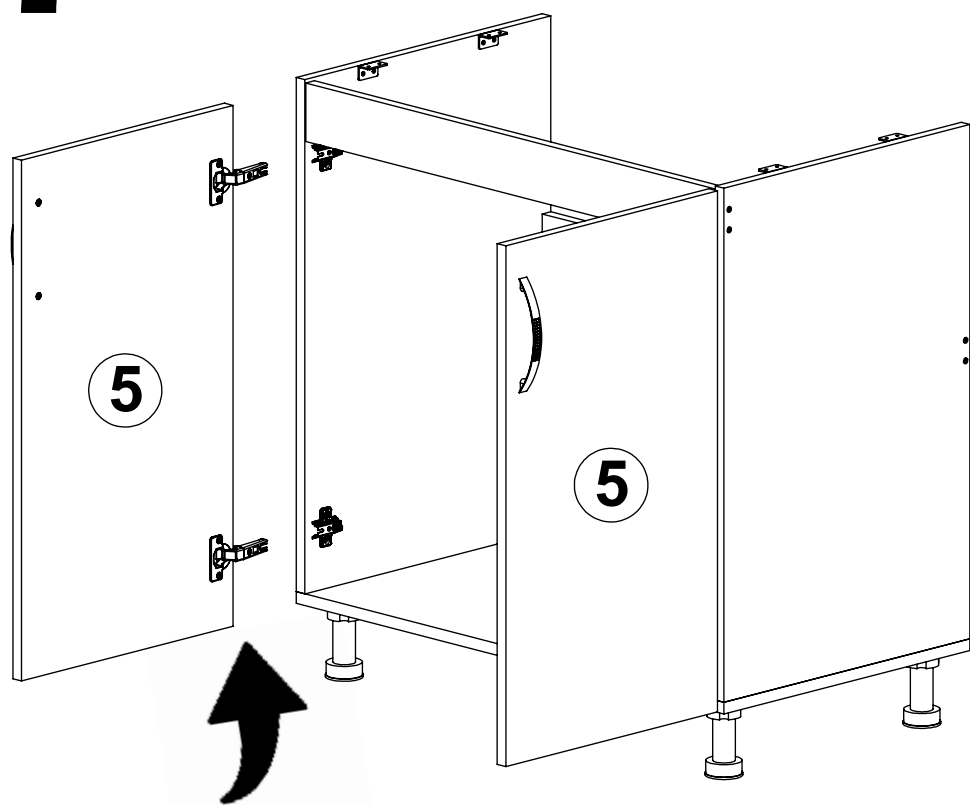


# 3/4

# 6



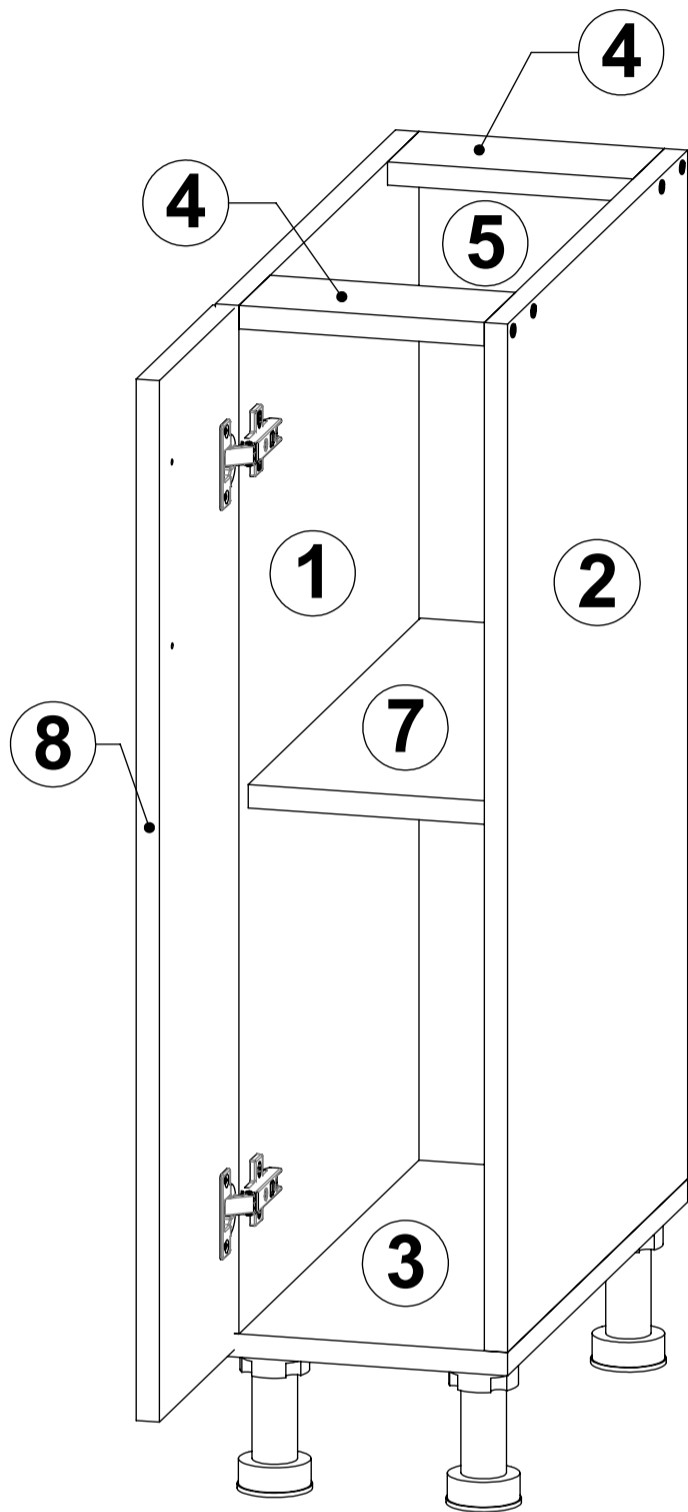
# 7

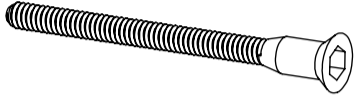
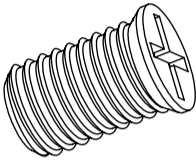
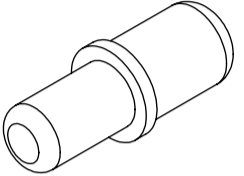
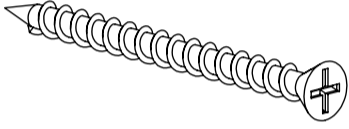
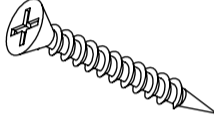
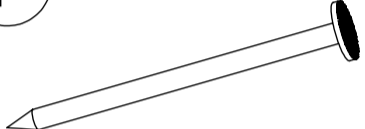
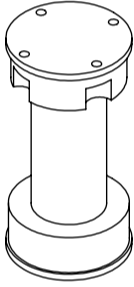
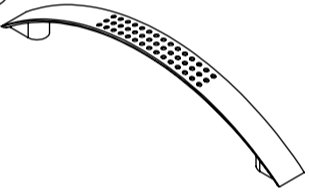
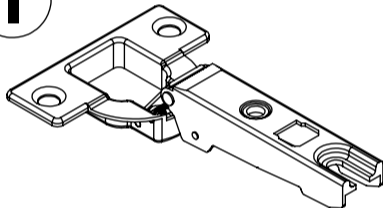




# 4/4





# LOW Units



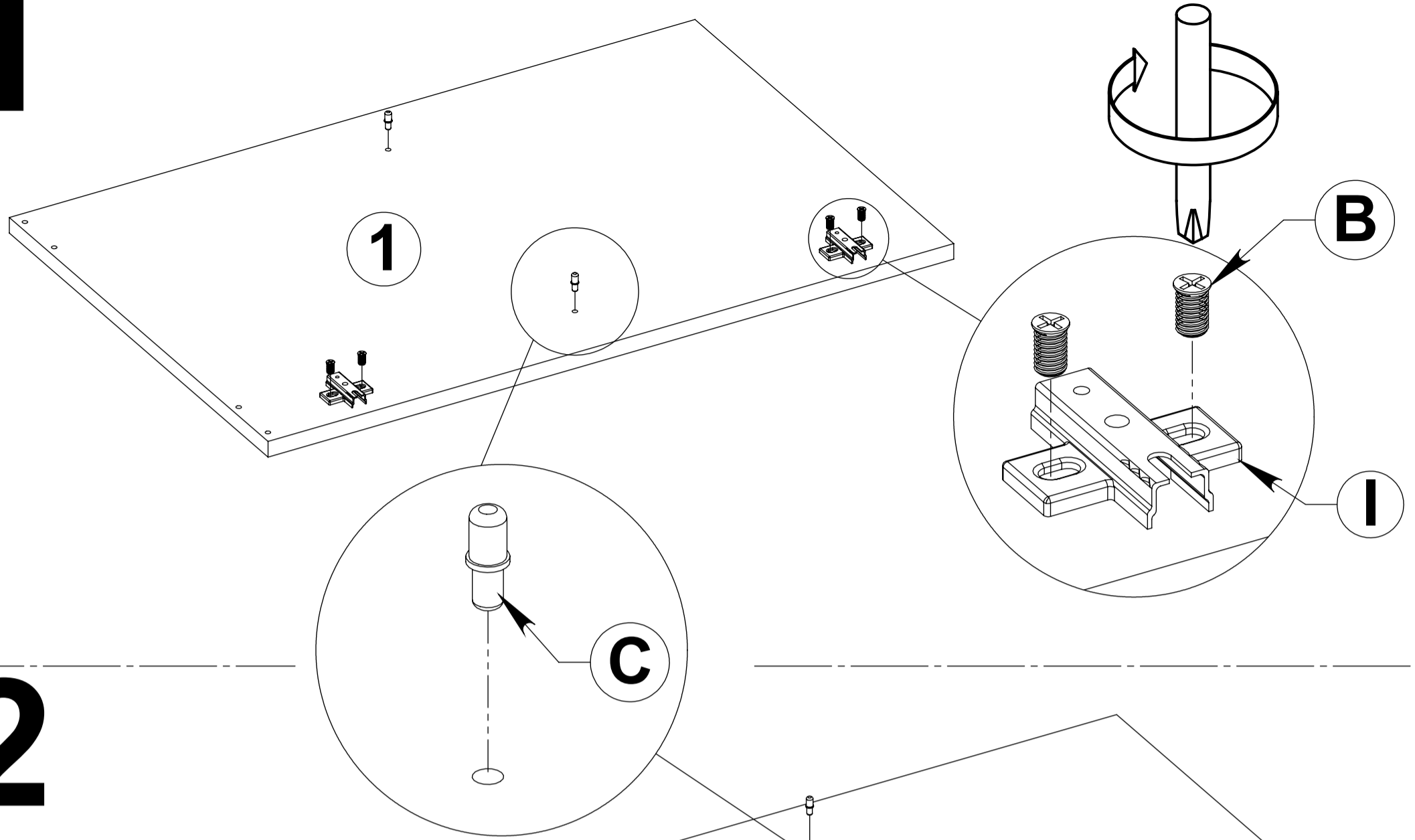
<b>A</b>  <b>x12</b>	<b>B</b>  <b>x4</b>	<b>C</b>  <b>x4</b>
<b>D</b> 4x30 mm  <b>x4</b>	<b>E</b> 4x16 mm  <b>x24</b>	<b>F</b>  <b>x15</b>
<b>G</b>  <b>x4</b>	<b>H</b>  <b>x1</b>	<b>I</b>  <b>x2</b>
<b>J</b>  <b>x2</b>	<b>9</b> 	

**№ H 20/82 H 30/82 H 35/82 H 40/82 H 45/82 H 50/82 H 60/82 X**

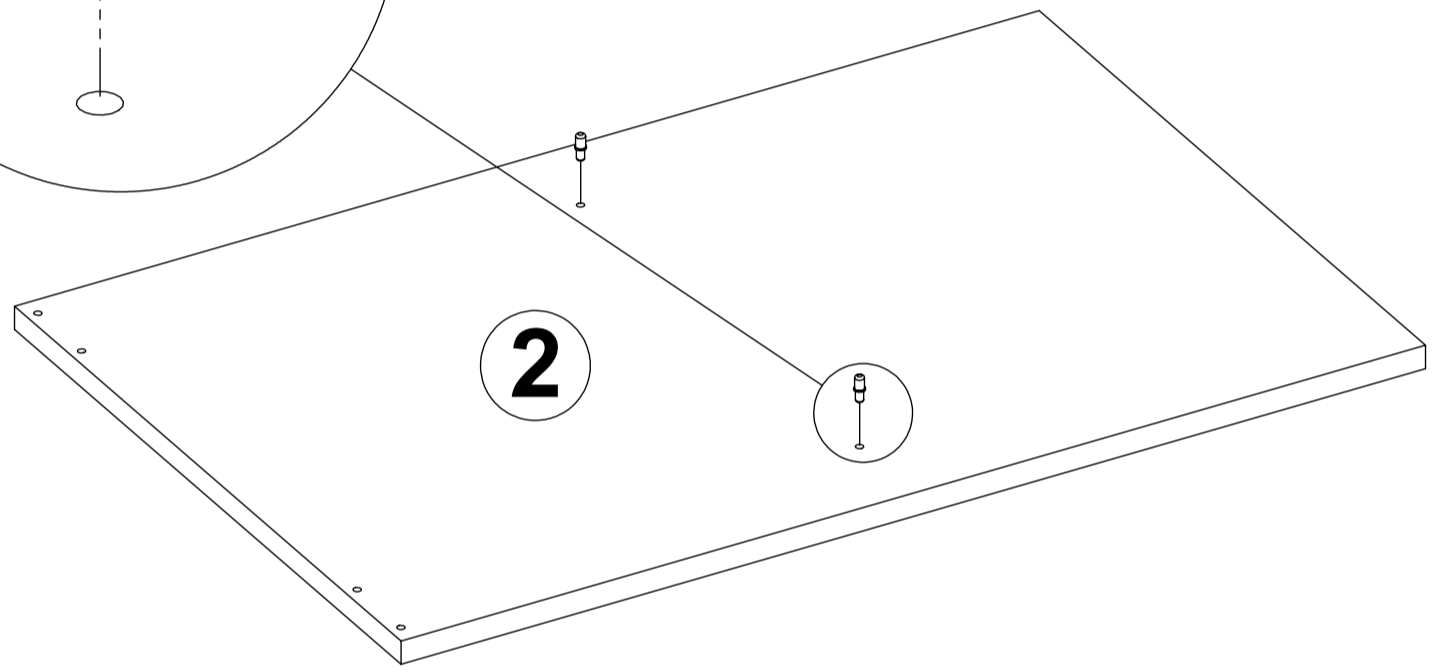
①	704x460	704x460	704x460	704x460	704x460	704x460	704x460	1
②	704x460	704x460	704x460	704x460	704x460	704x460	704x460	1
③	200x460	300x460	350x460	400x460	450x460	500x460	600x460	1
④	168x80	268x80	318x80	368x80	418x80	468x80	568x80	2
⑤	714x198	714x298	714x348	714x398	714x448	714x298	714x298	1
⑥	-	-	-	-	-	714x198	714x298	1
⑦	166x440	266x440	316x440	366x440	416x440	466x440	566x440	1
⑧	713x196	713x296	713x346	713x396	713x446	713x496	713x596	1
⑨	-	-	-	-	-			1

**G40-KT-031-A**

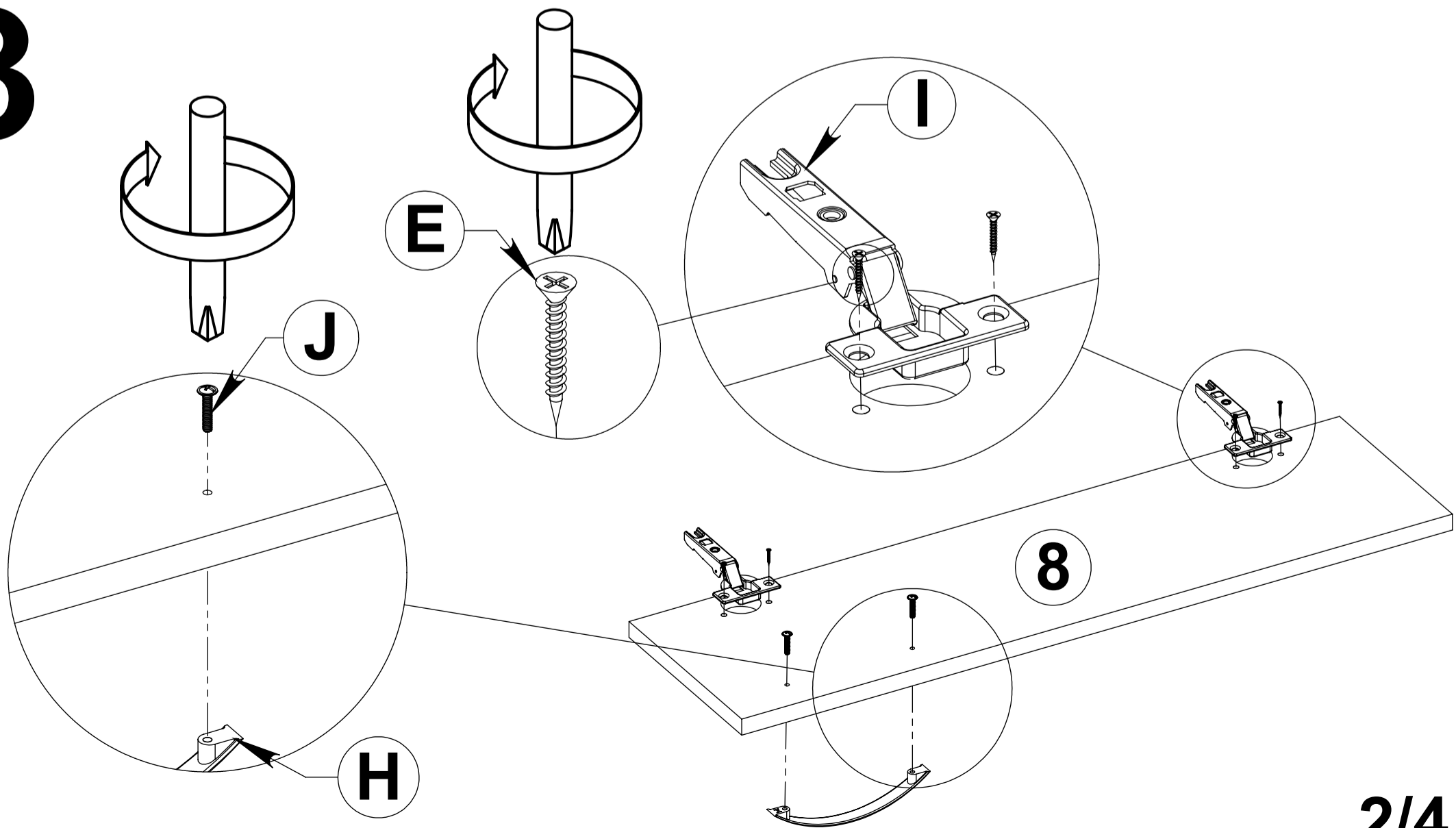
# 1

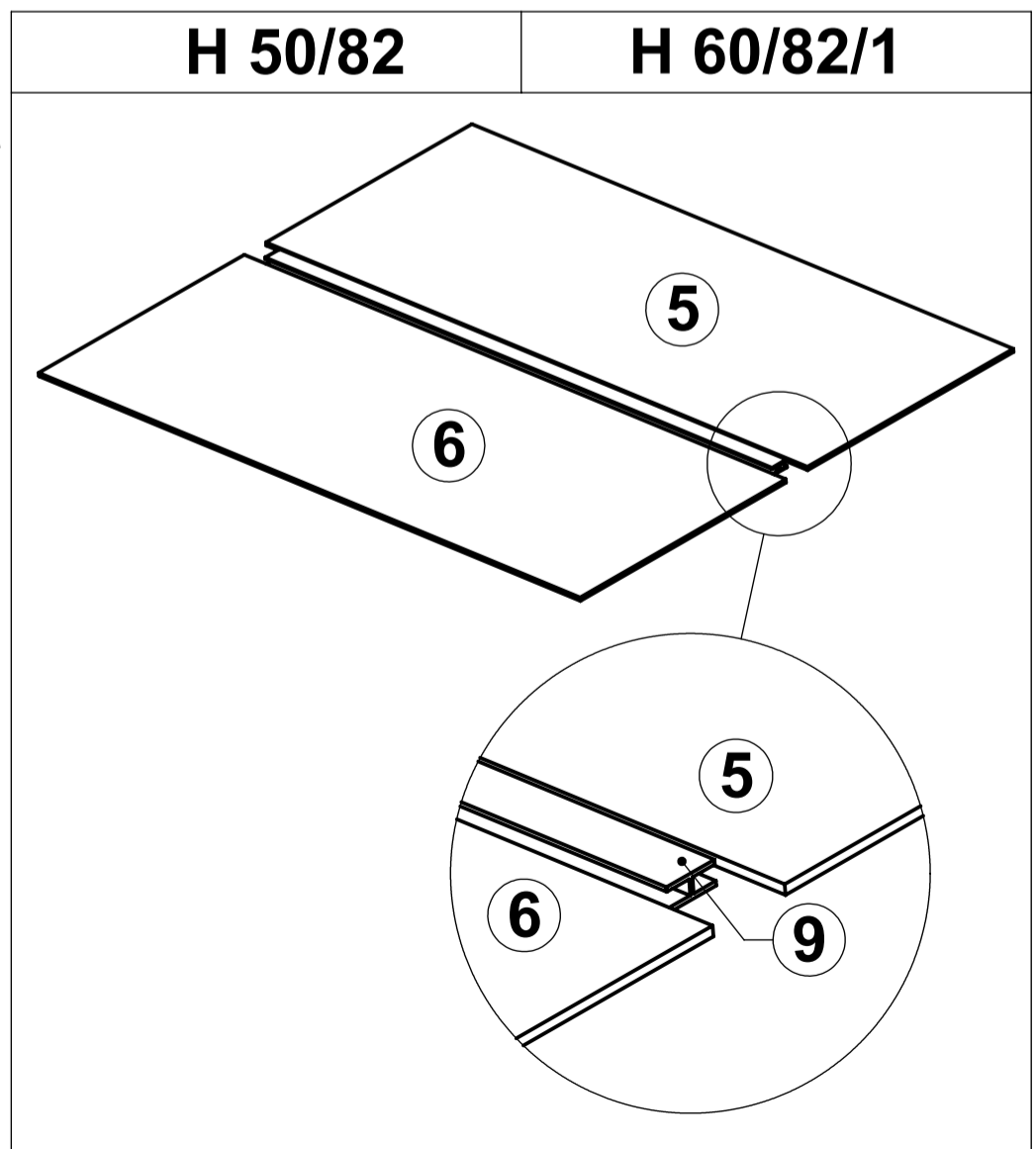
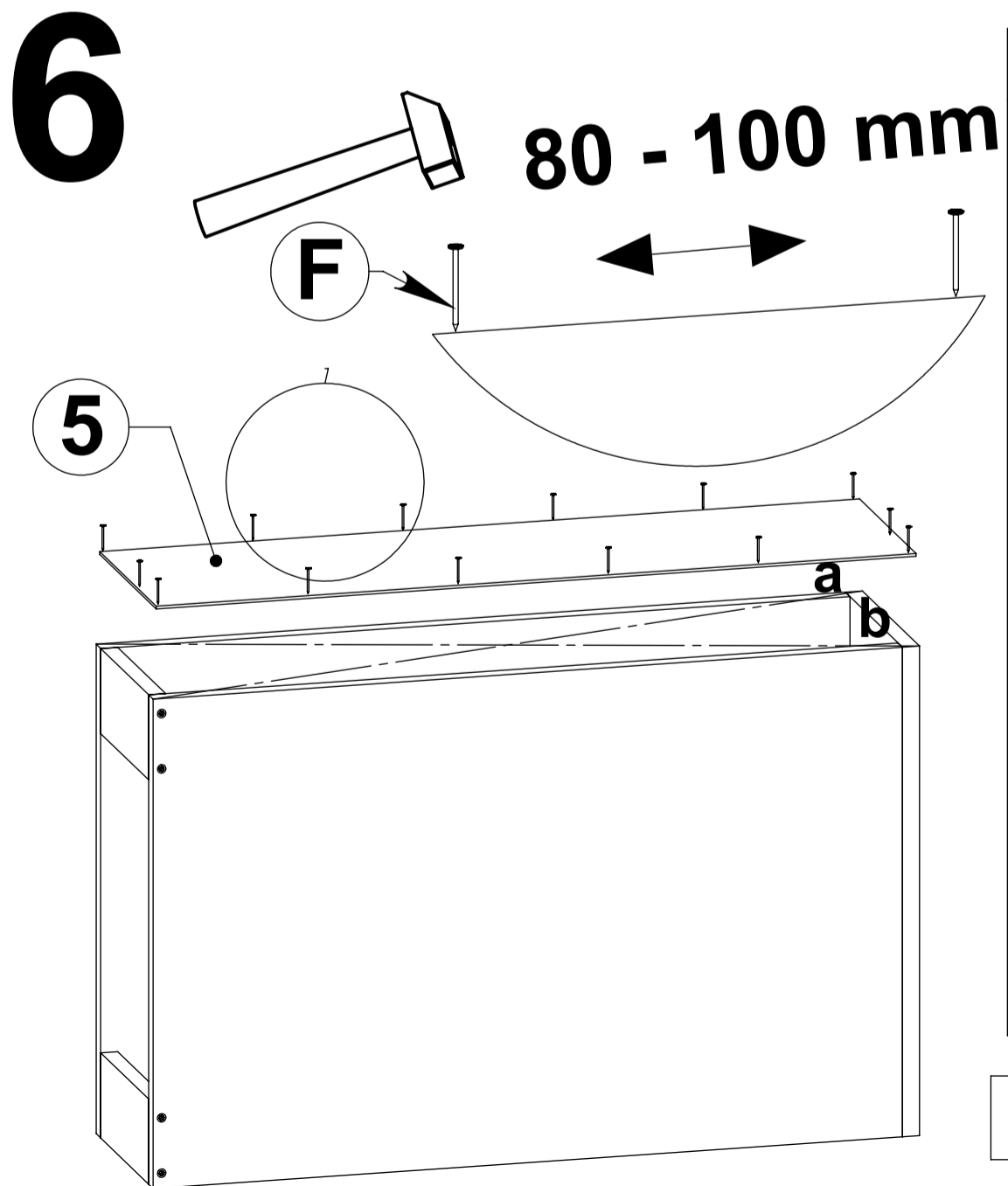
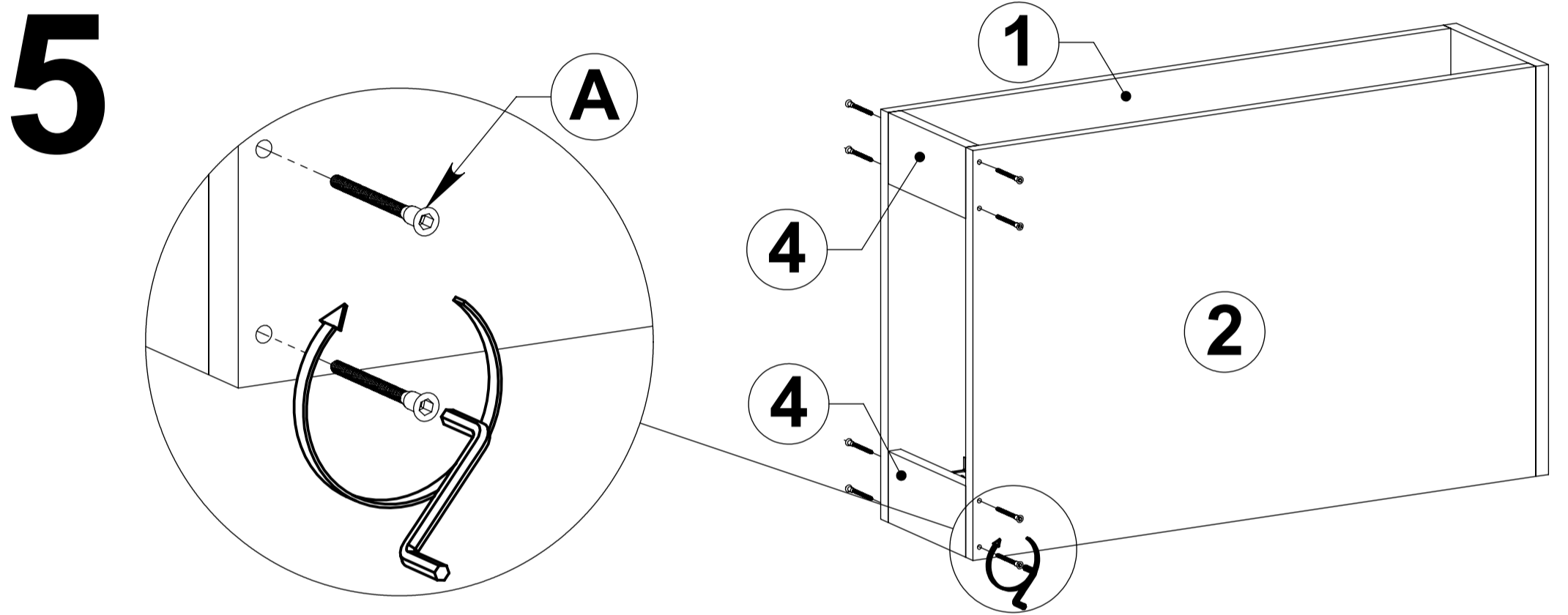
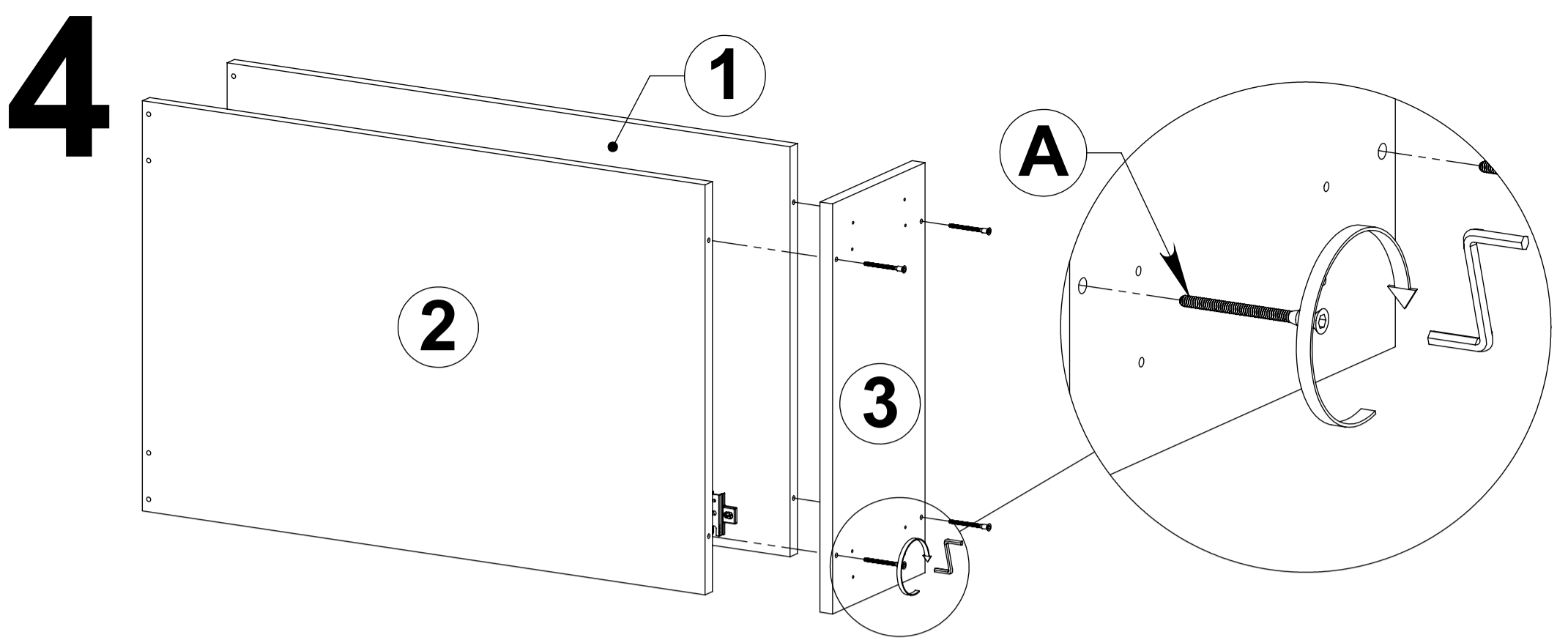


# 2



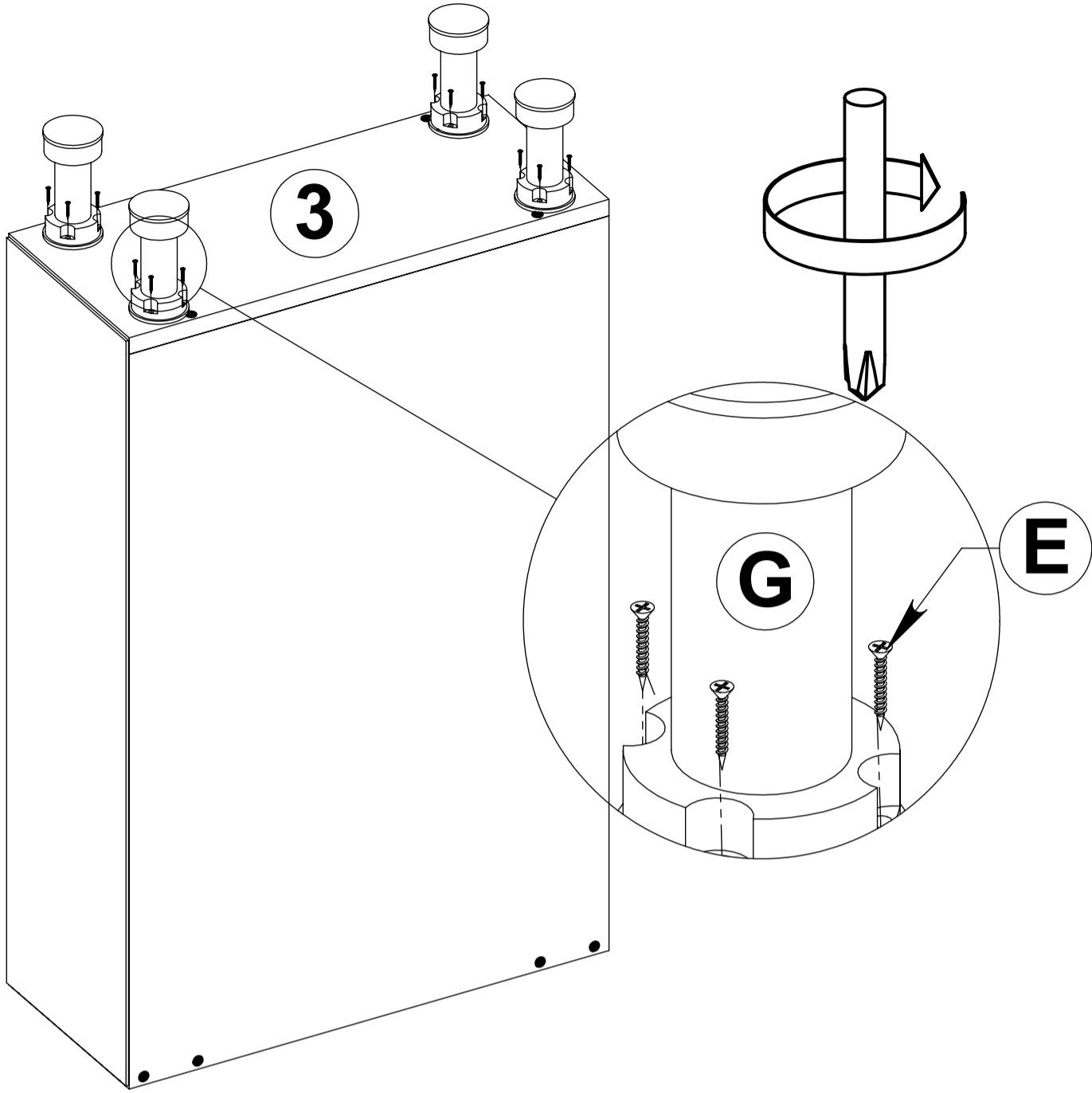
# 3



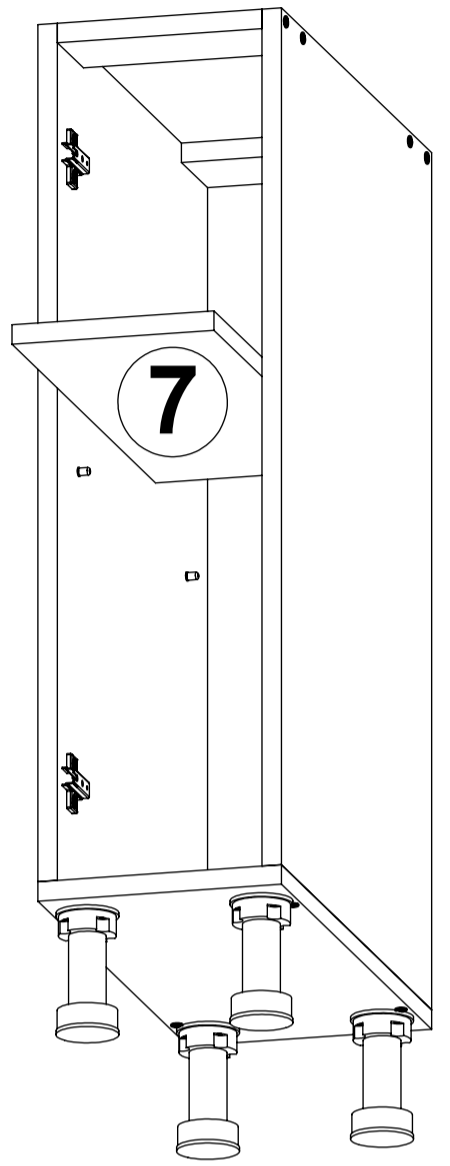


**a = b**

# 7



# 8



# 9

