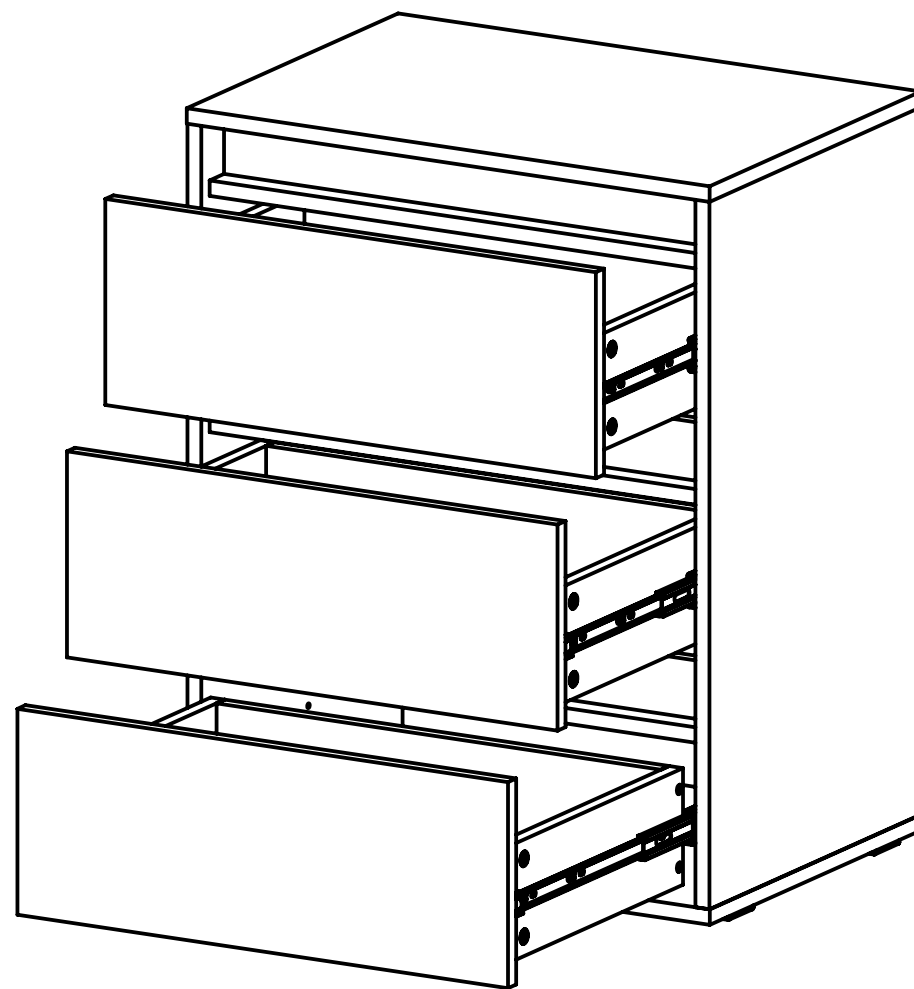
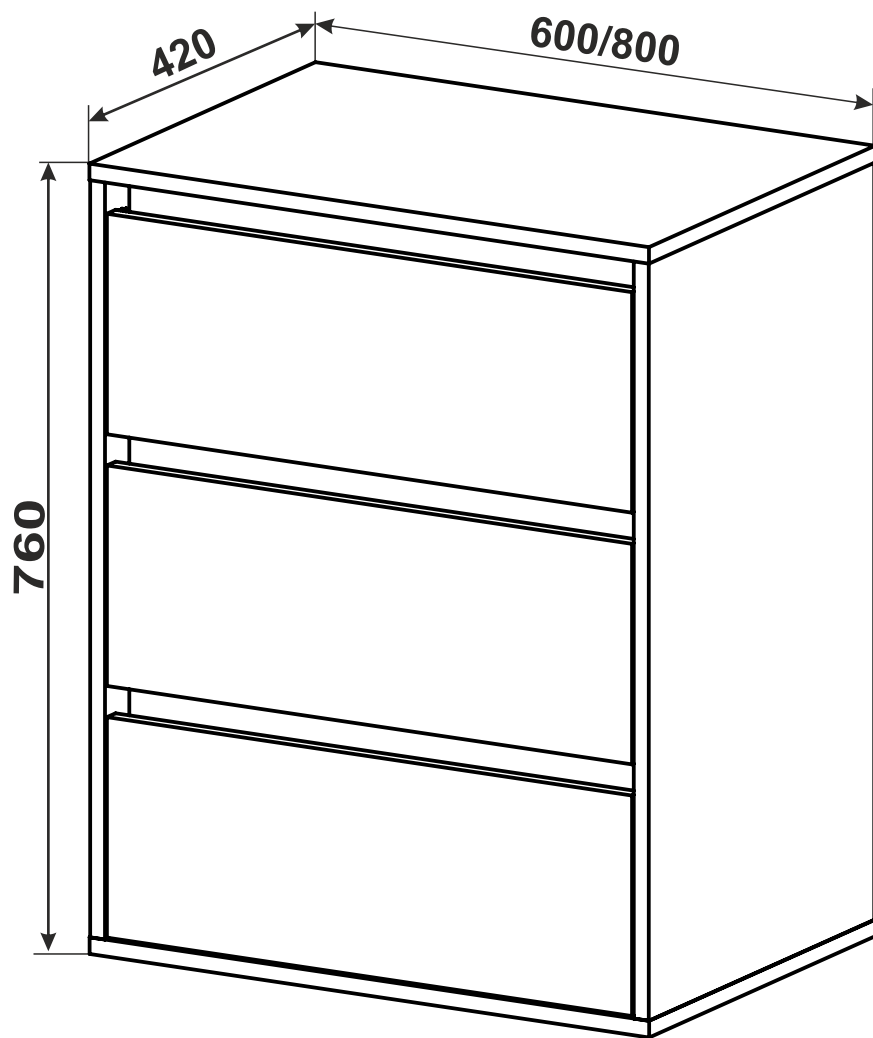
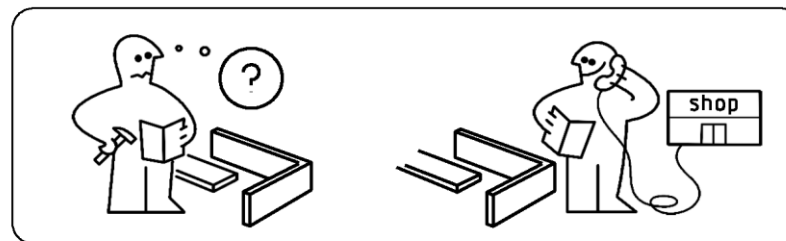
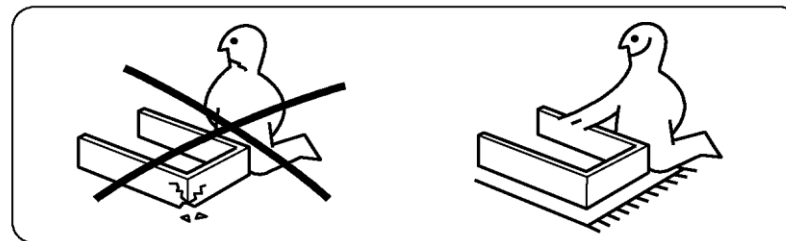
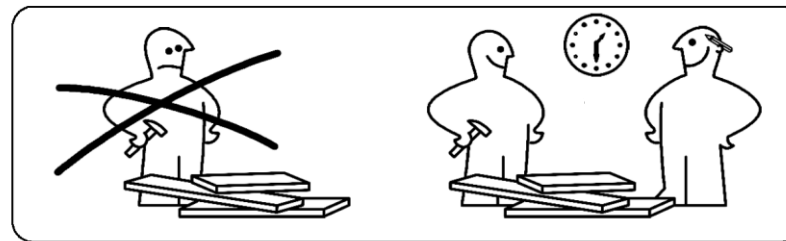
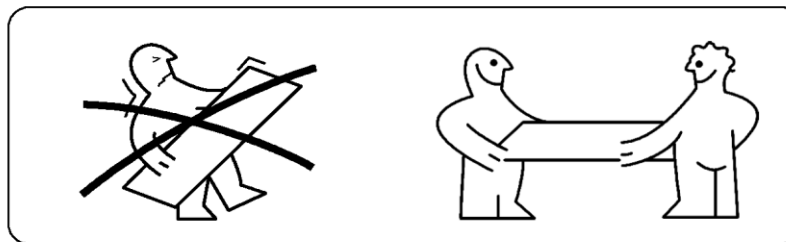
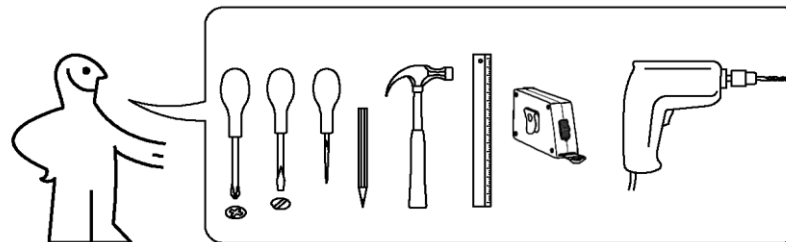
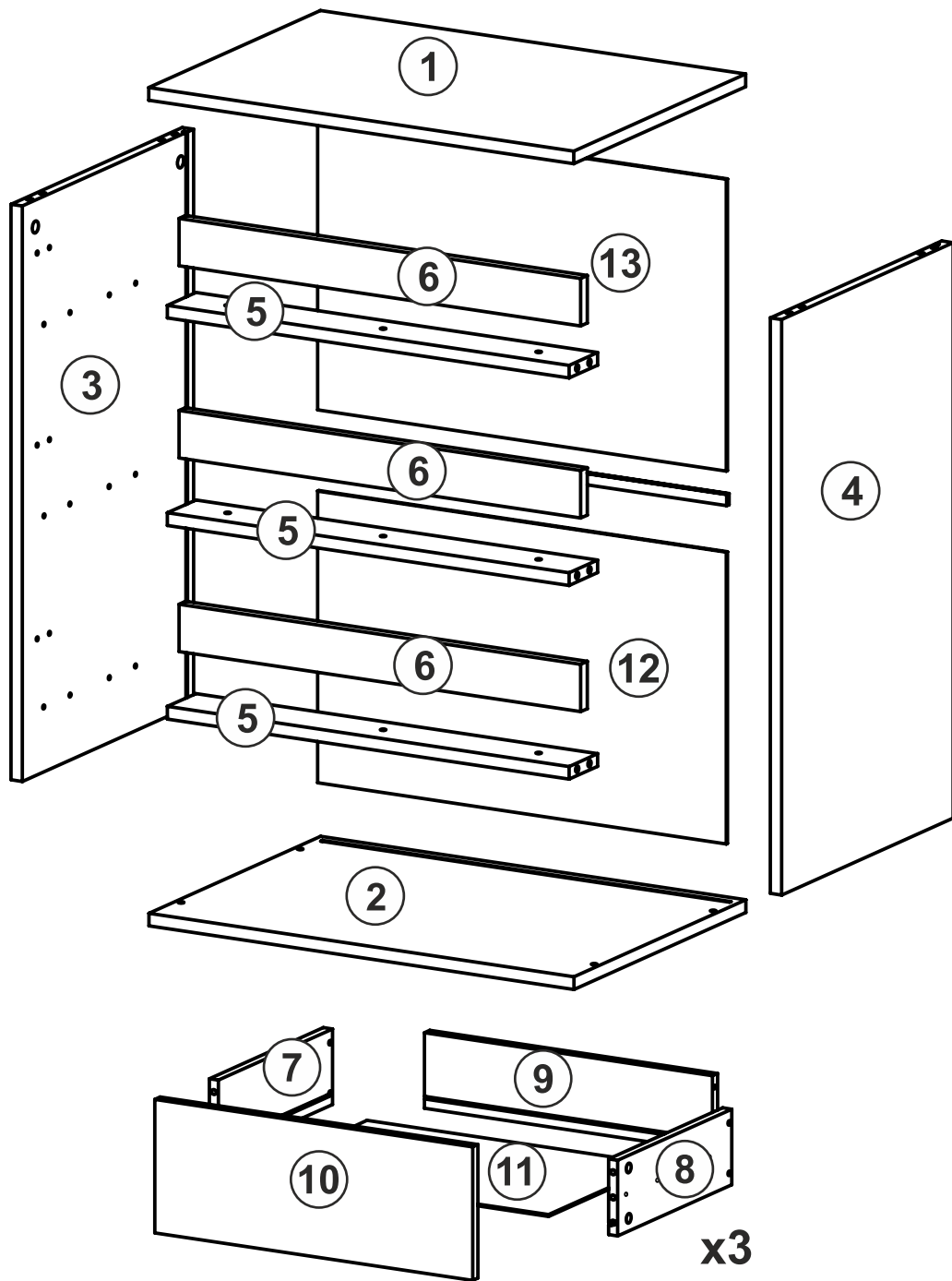

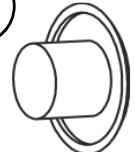

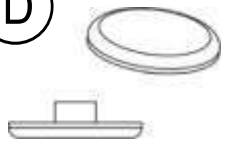



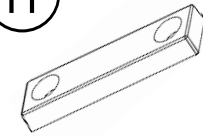

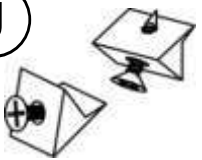


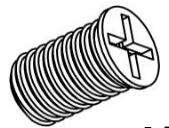
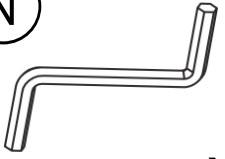

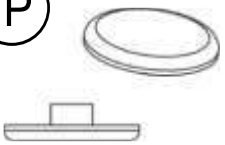
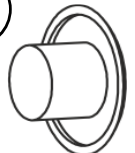




# Συρταριέρα Idea 80x76

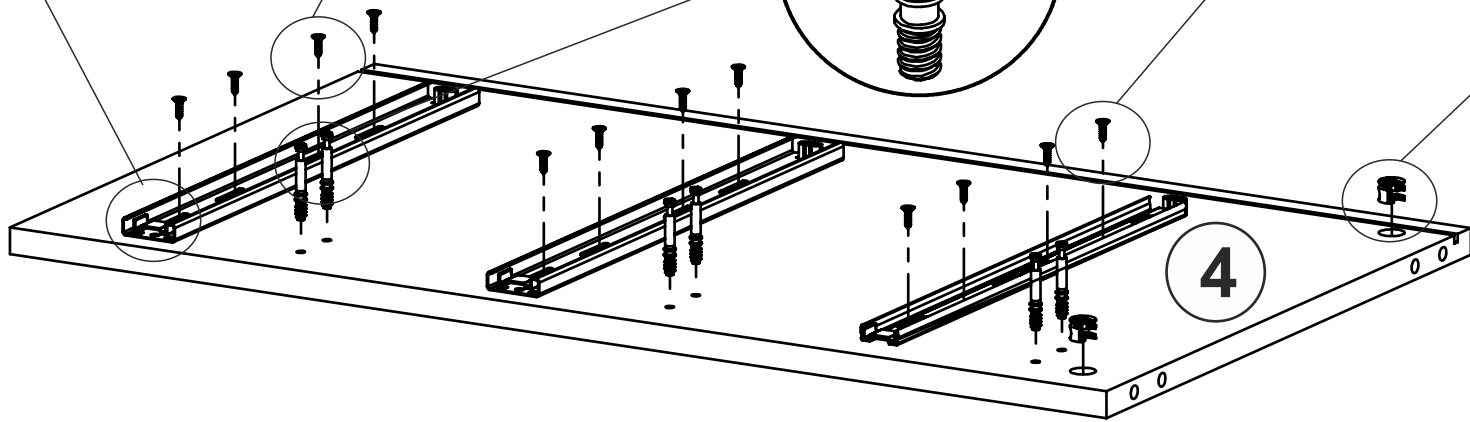
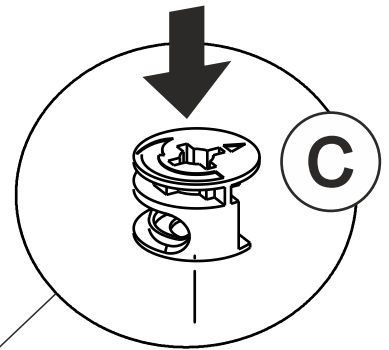
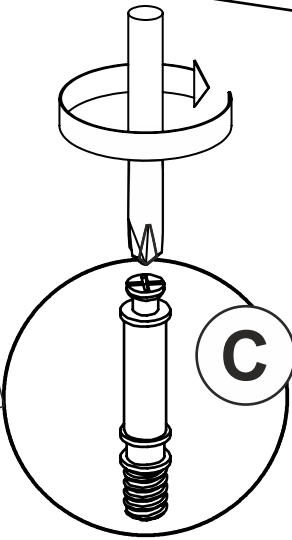
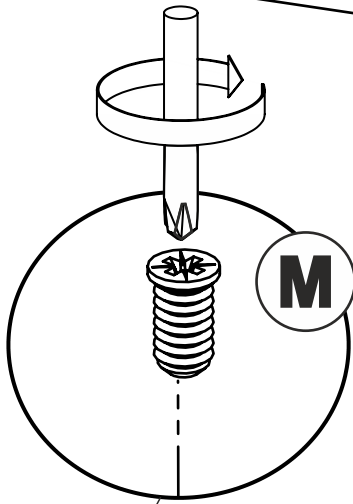
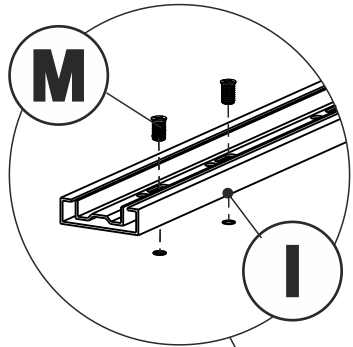
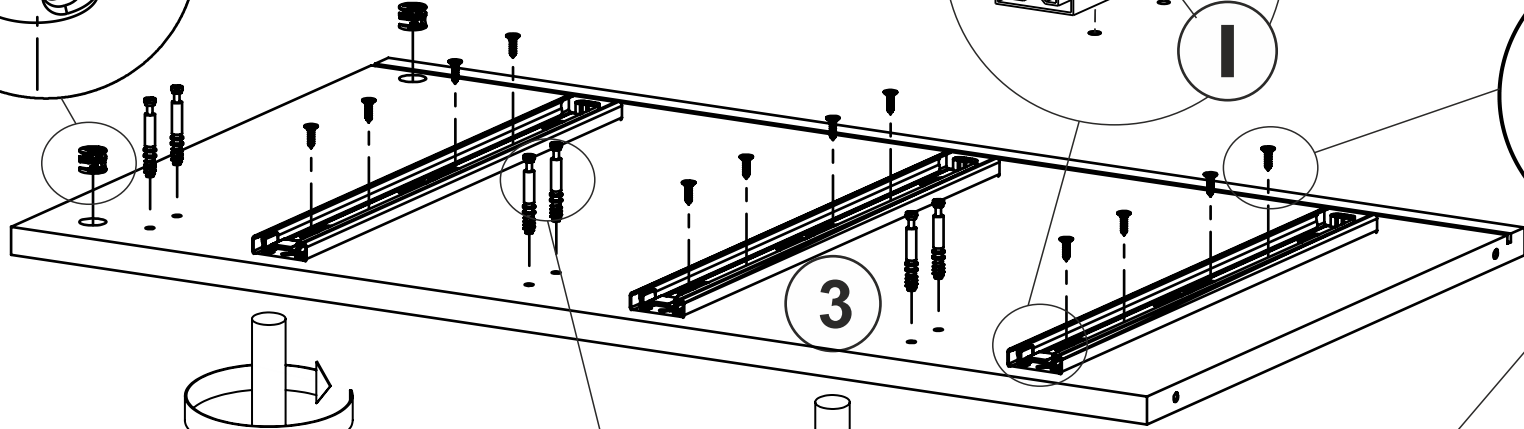
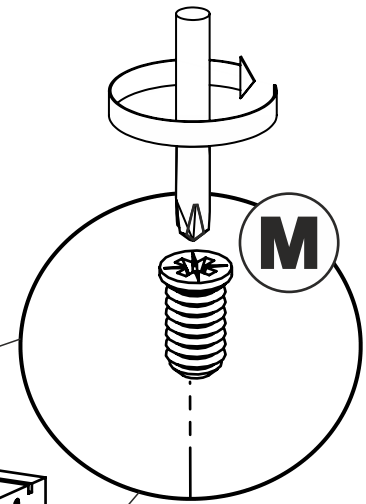
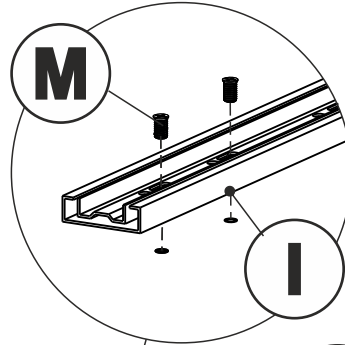
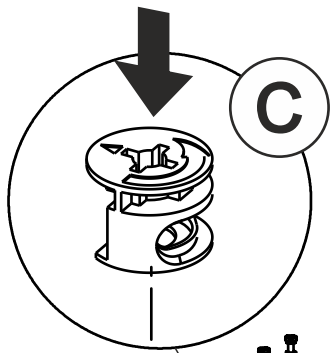




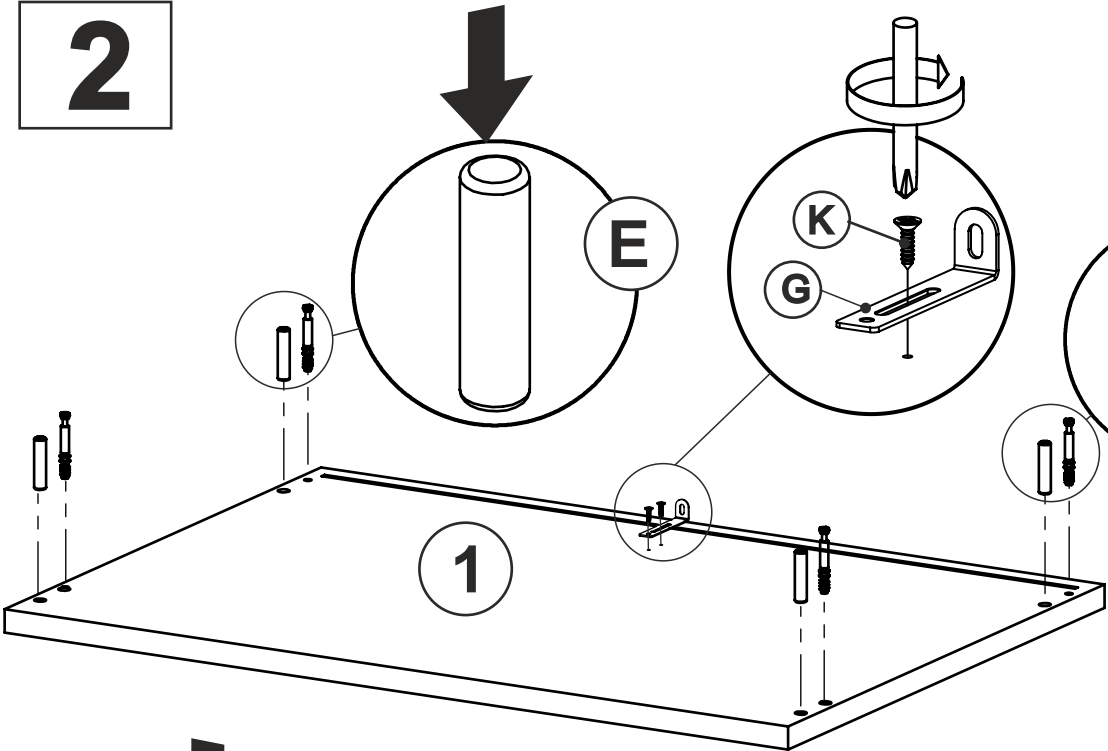
<b>(A)</b>  x25	<b>(B)</b>  x12	<b>(C)</b>  x28
<b>(D)</b>  x16	<b>(E)</b> 8x35  x10	<b>(F)</b> 8*80  x1
<b>(G)</b>  x1	<b>(H)</b>  x6	<b>(I)</b> L-350  x3
<b>(J)</b>  x38	<b>(K)</b> 3,5x16  x14	<b>(L)</b> 4x16  x12
<b>(M)</b> 6,3x13  x24	<b>(N)</b>  x1	<b>(O)</b>  x1
<b>(P)</b>  x12	<b>(Q)</b>  x9	<b>(R)</b>  x1

C 760x600x3Dr		C 760x800x3Dr		
№	A x B x C	A x B x C	x	Package
1	600x420x16	800x420x16	1	1
2	600x420x16	800x420x16	1	1
3	728x419x16	728x419x16	1	1
4	728x419x16	728x419x16	1	1
5	566x70x16	766x70x16	3	1
6	566x60x16	766x60x16	3	1
7	350x120x16	350x120x16	3	1
8	350x120x16	350x120x16	3	1
9	509x120x16	709x120x16	3	1
10	212x562x16	212x762x16	3	1
11	344x519x3	344x719x3	3	1
12	369x576x3	369x776x3	1	1
13	369x576x3	369x776x3	1	1
O	L-565mm	L-765mm	1	1
				1

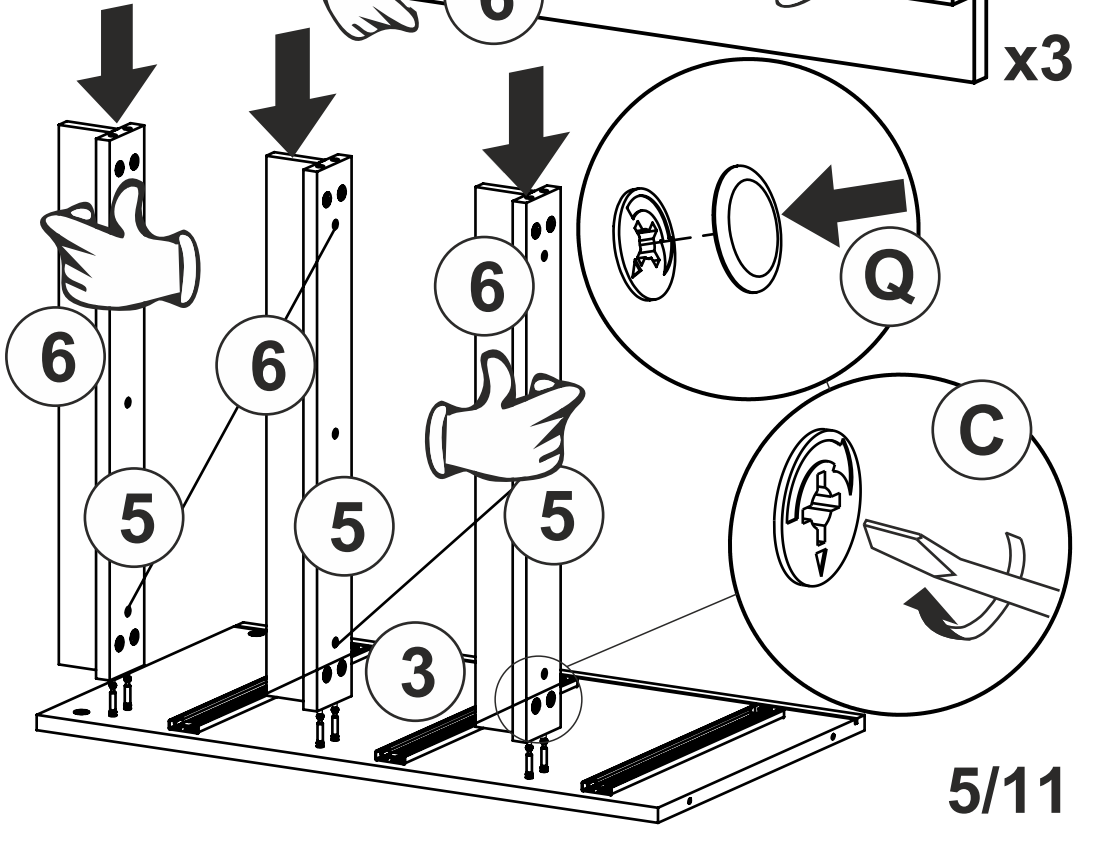
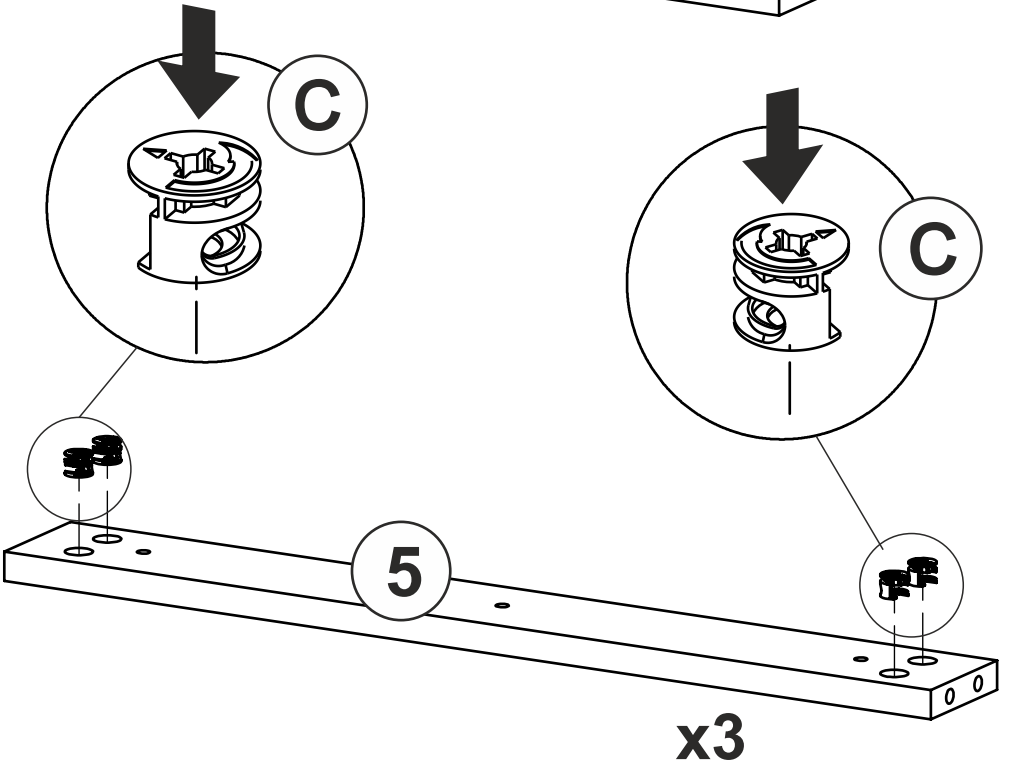
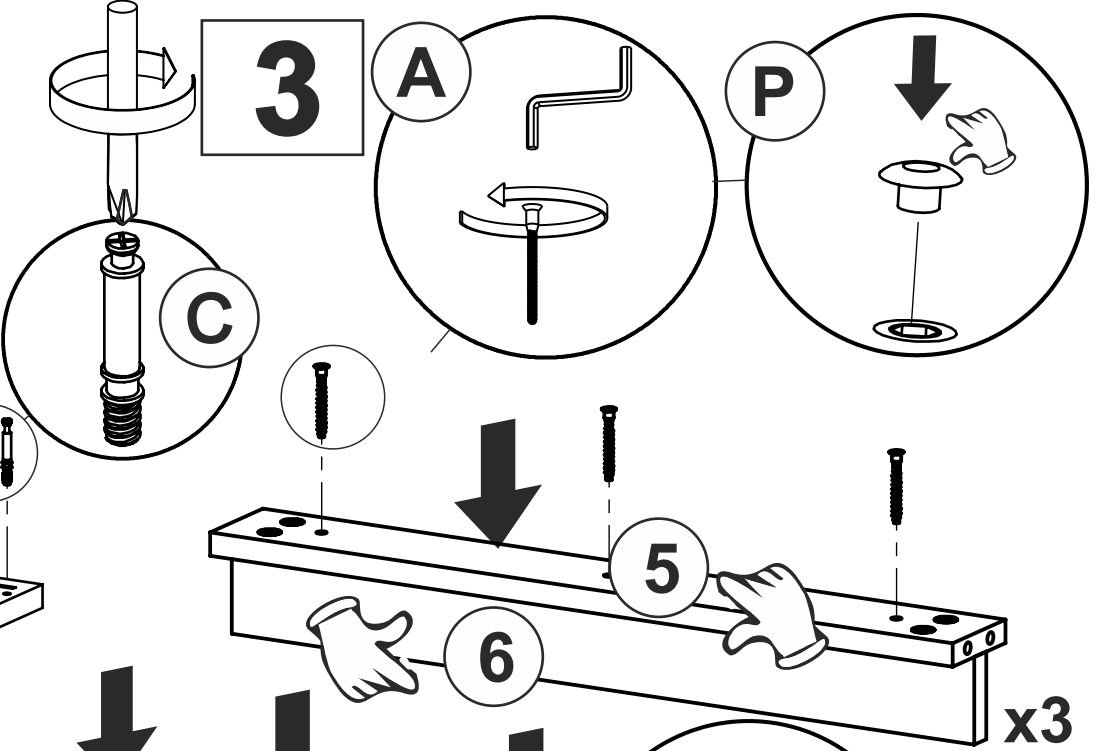
1

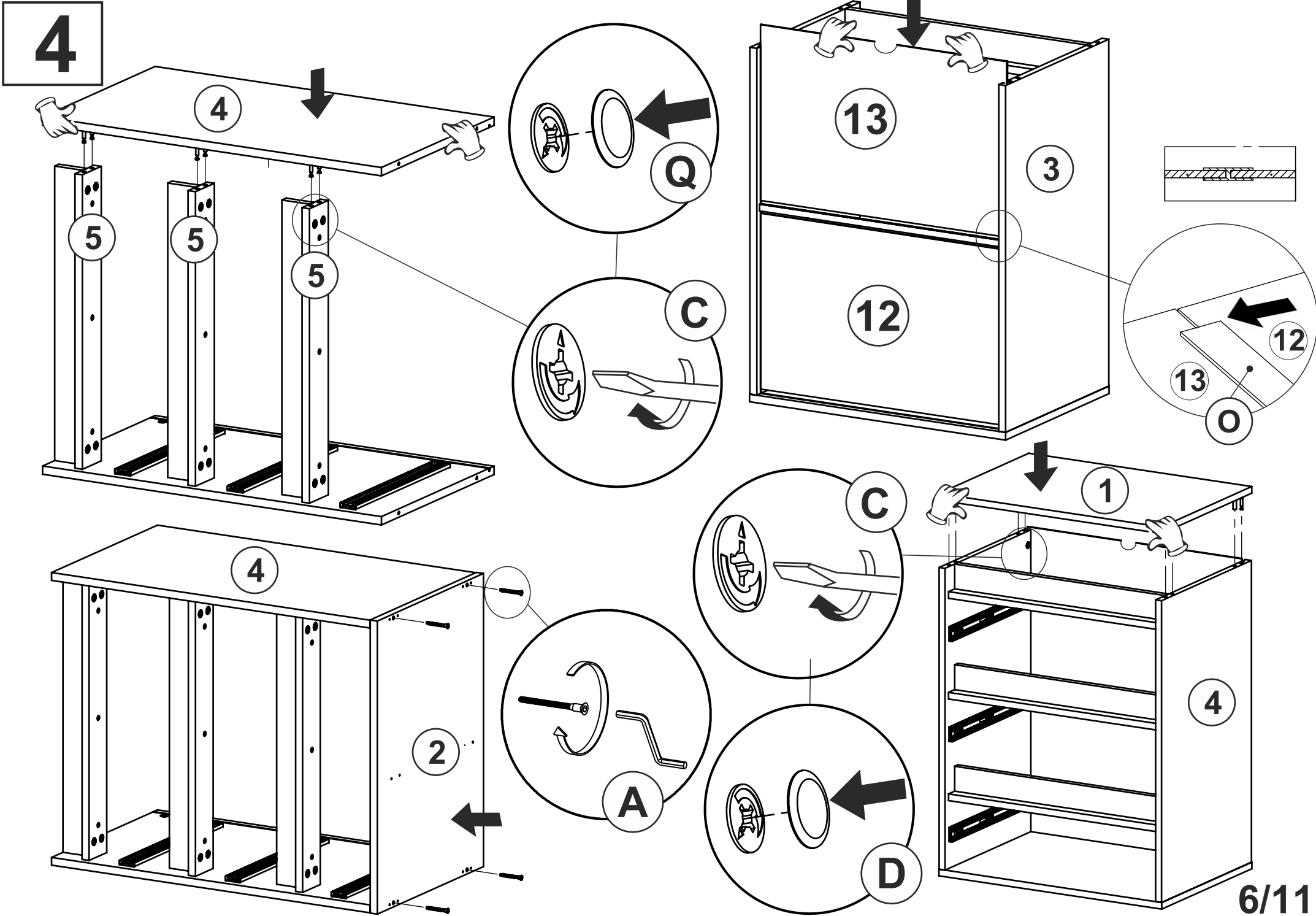


2

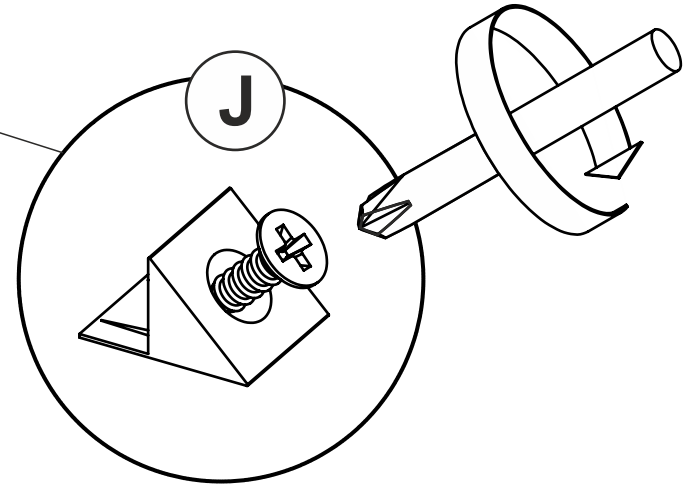
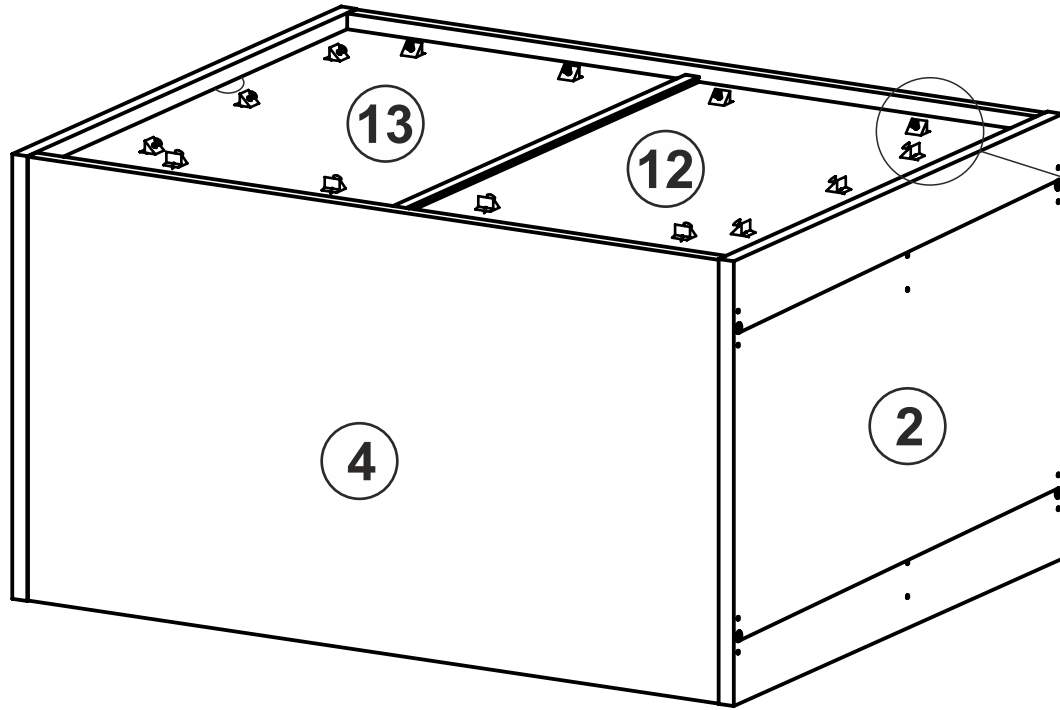


3

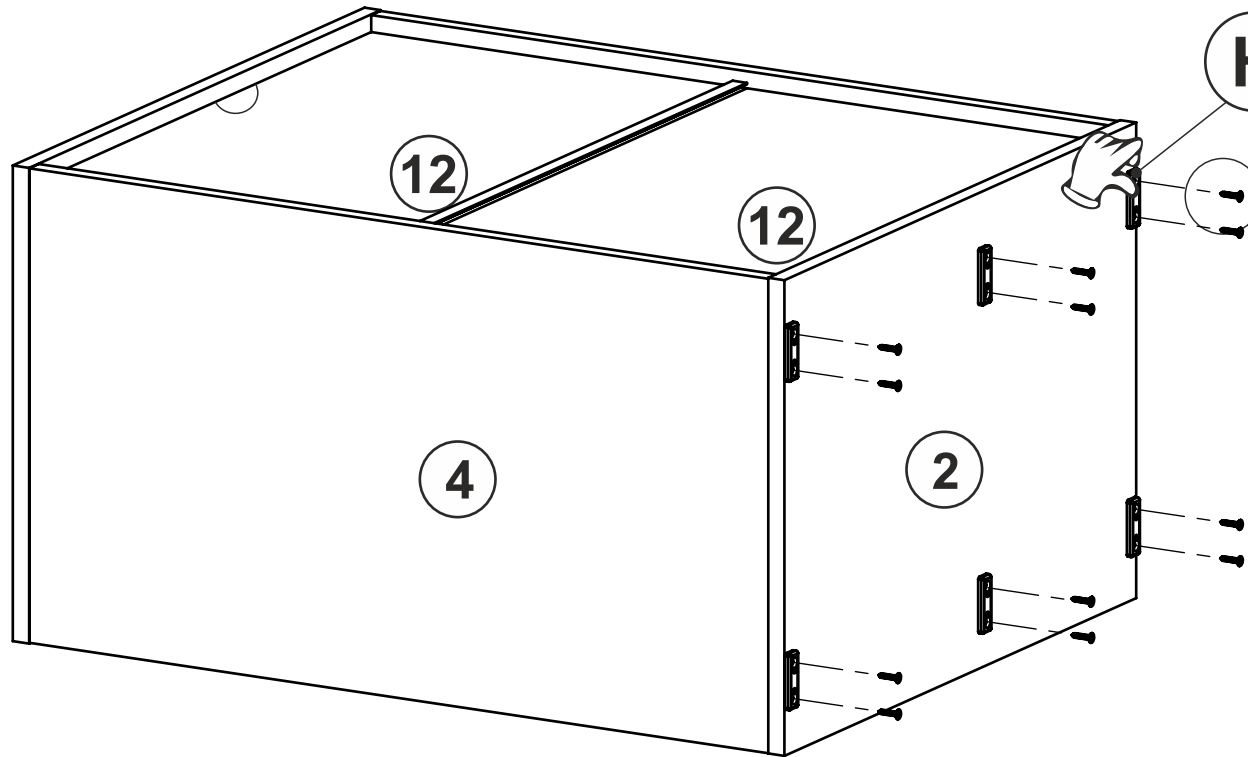




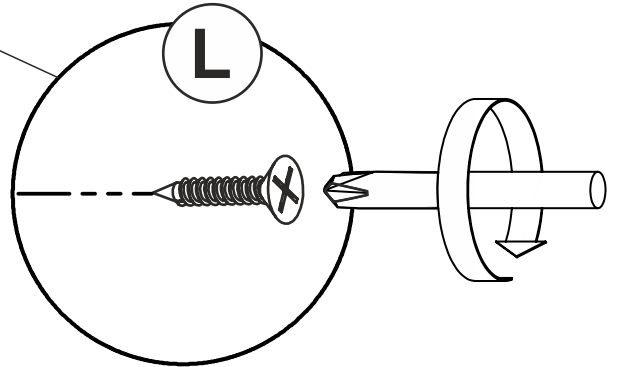
5



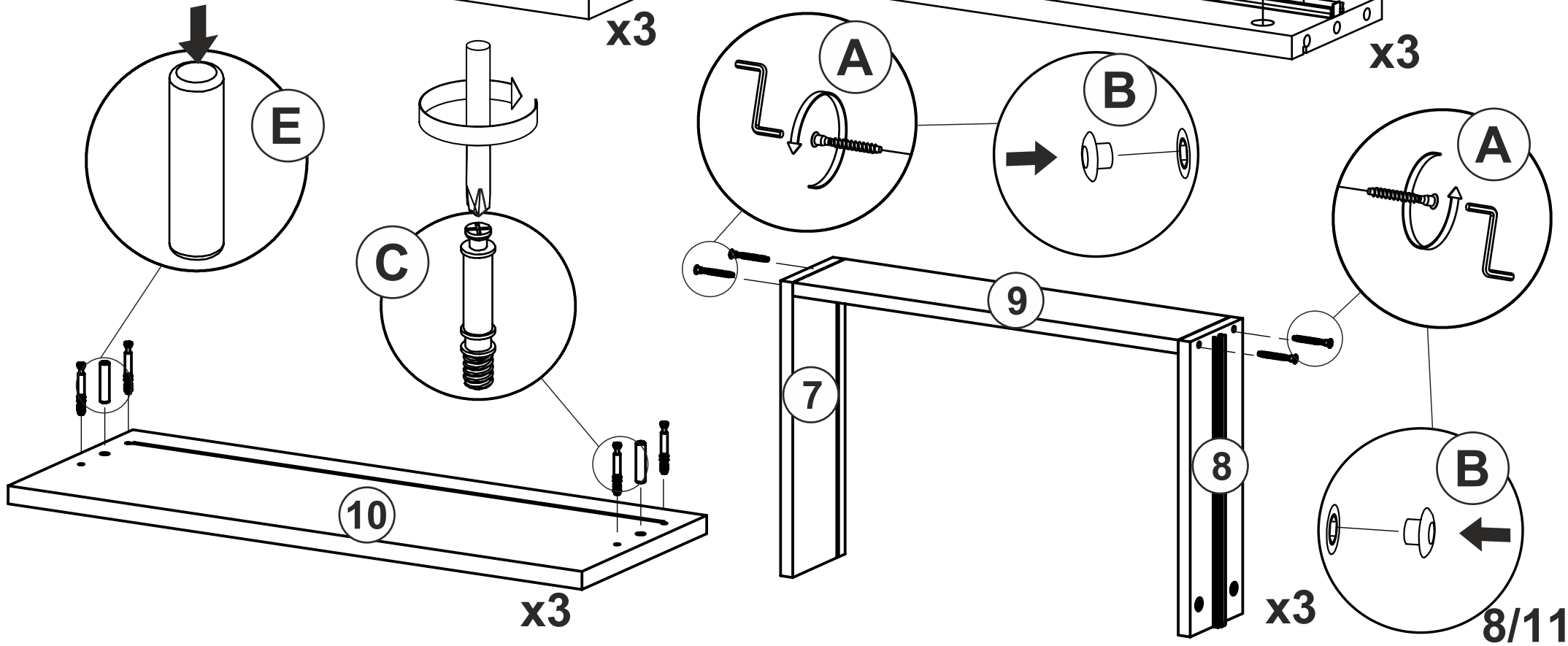
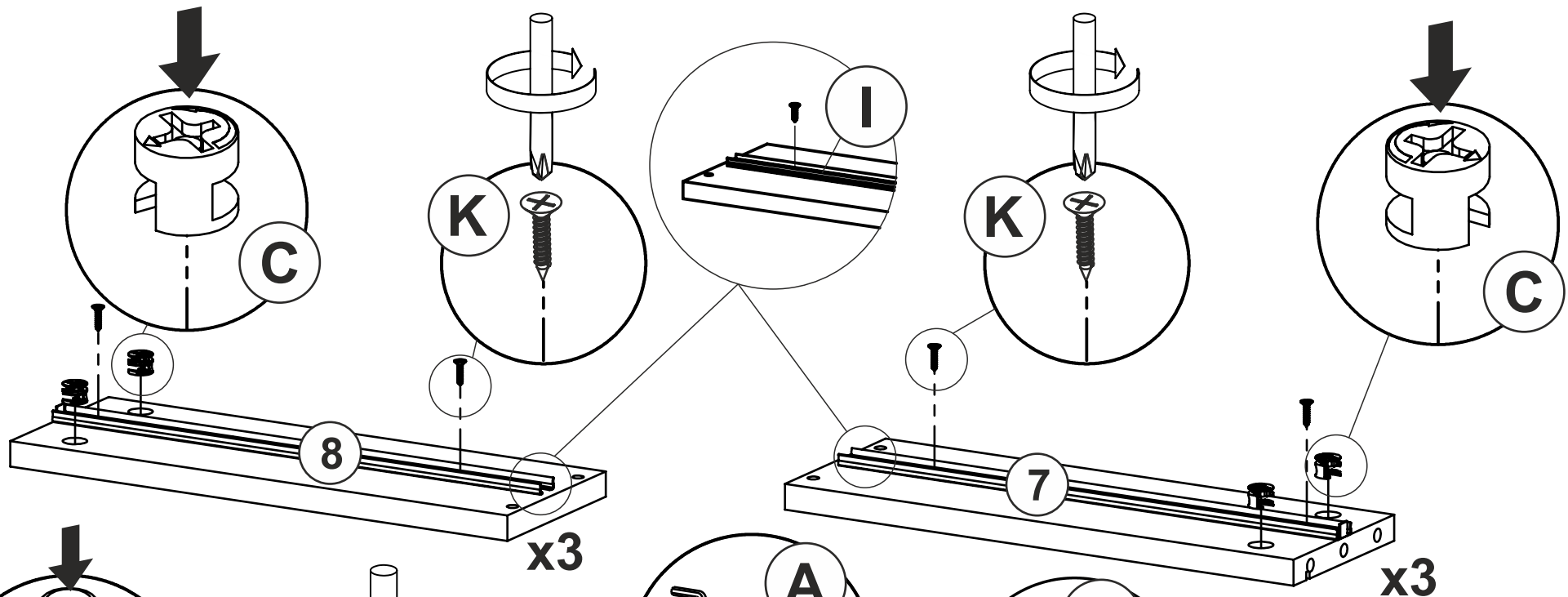
6



H

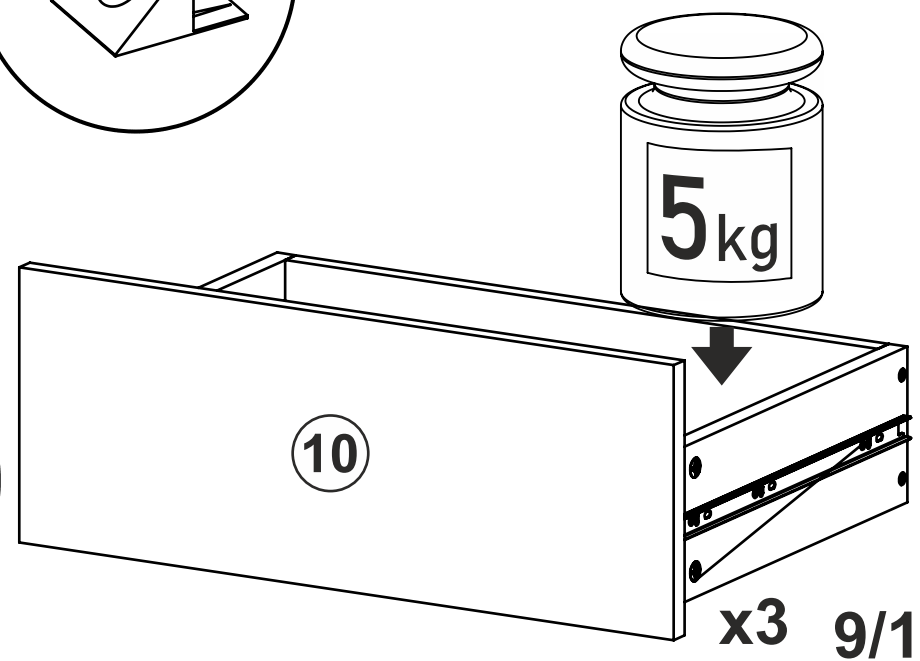
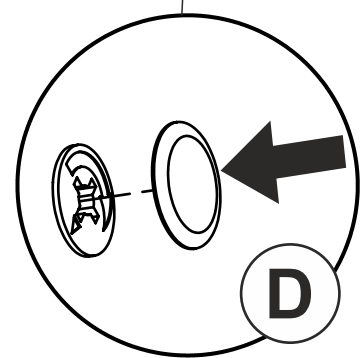
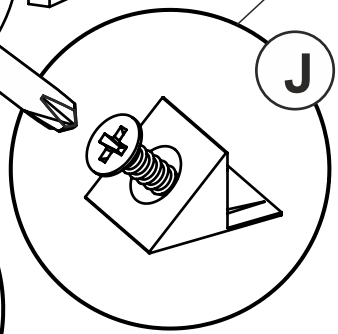
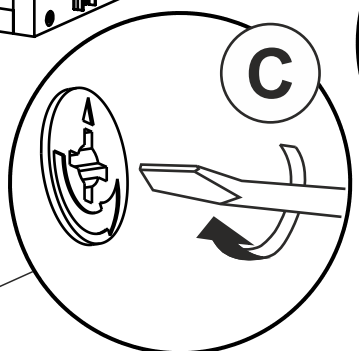
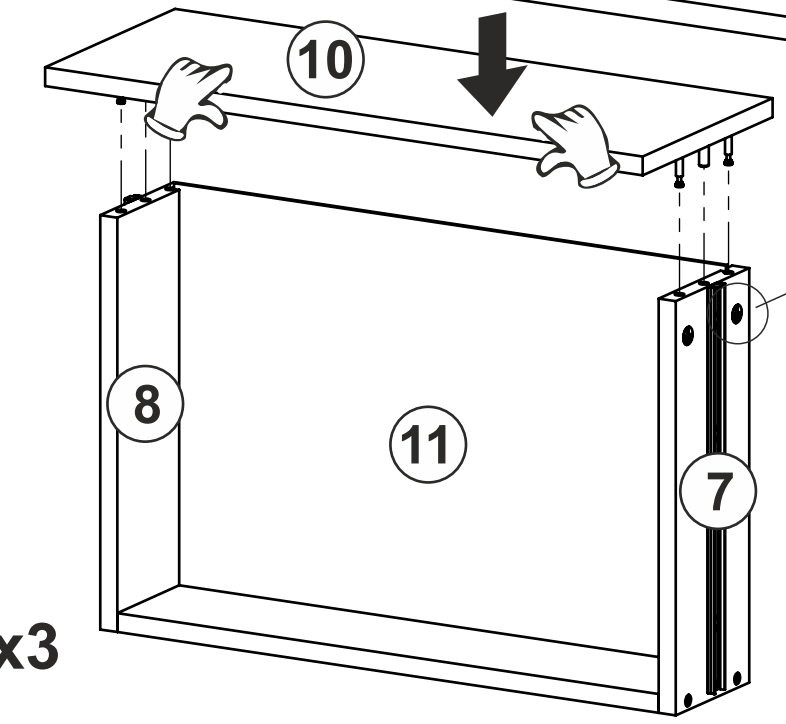
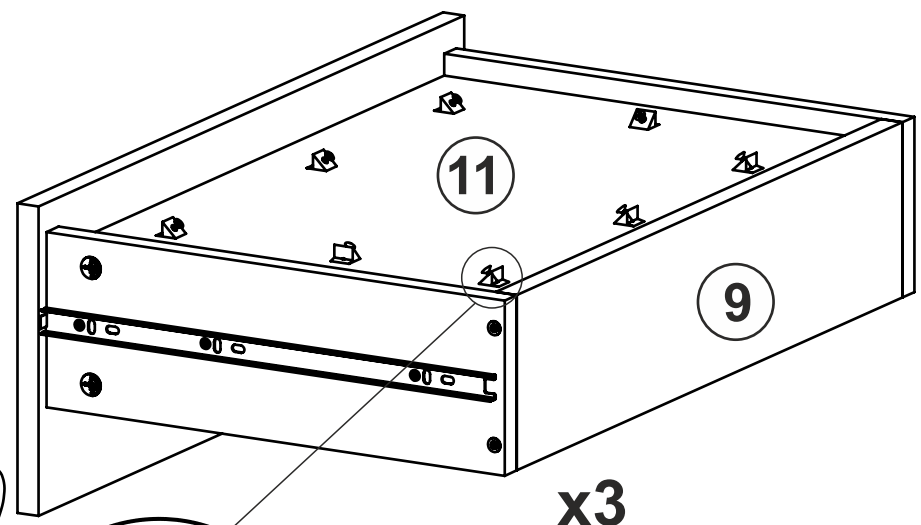
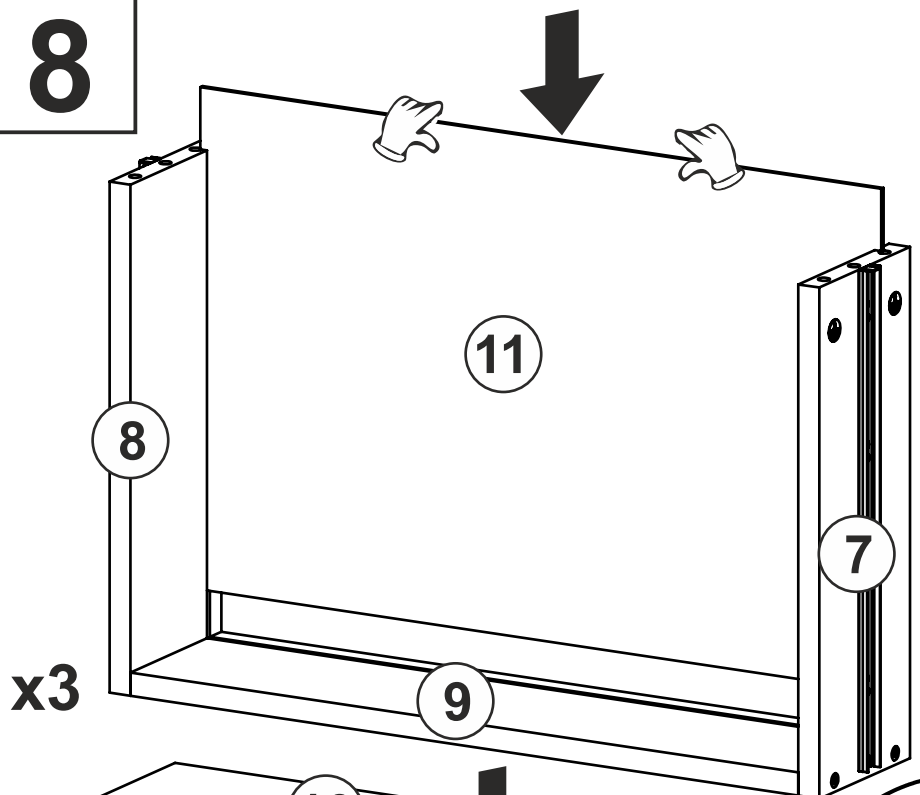


7

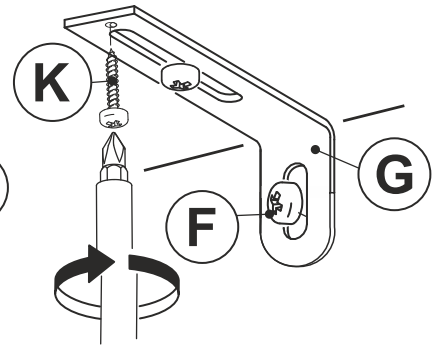
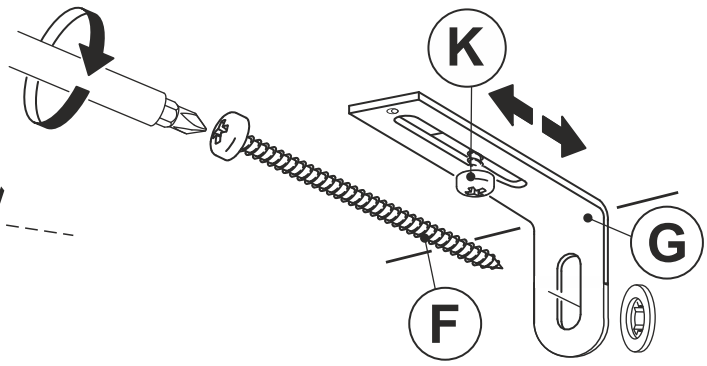
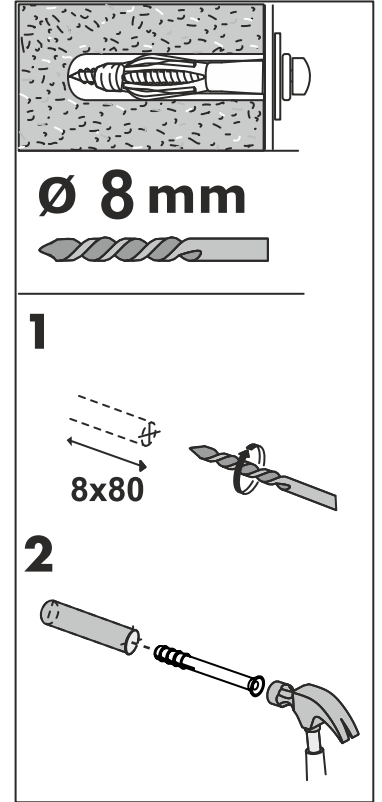
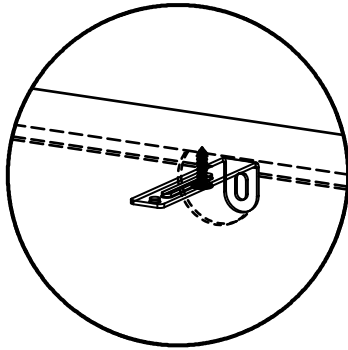
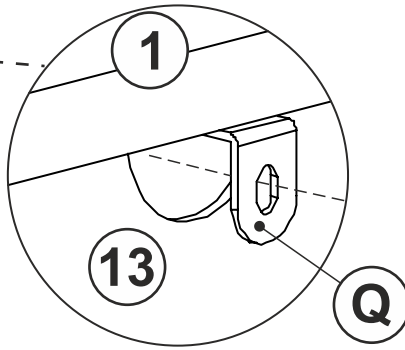
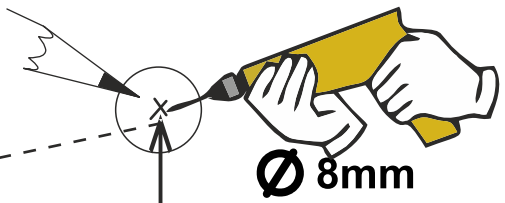
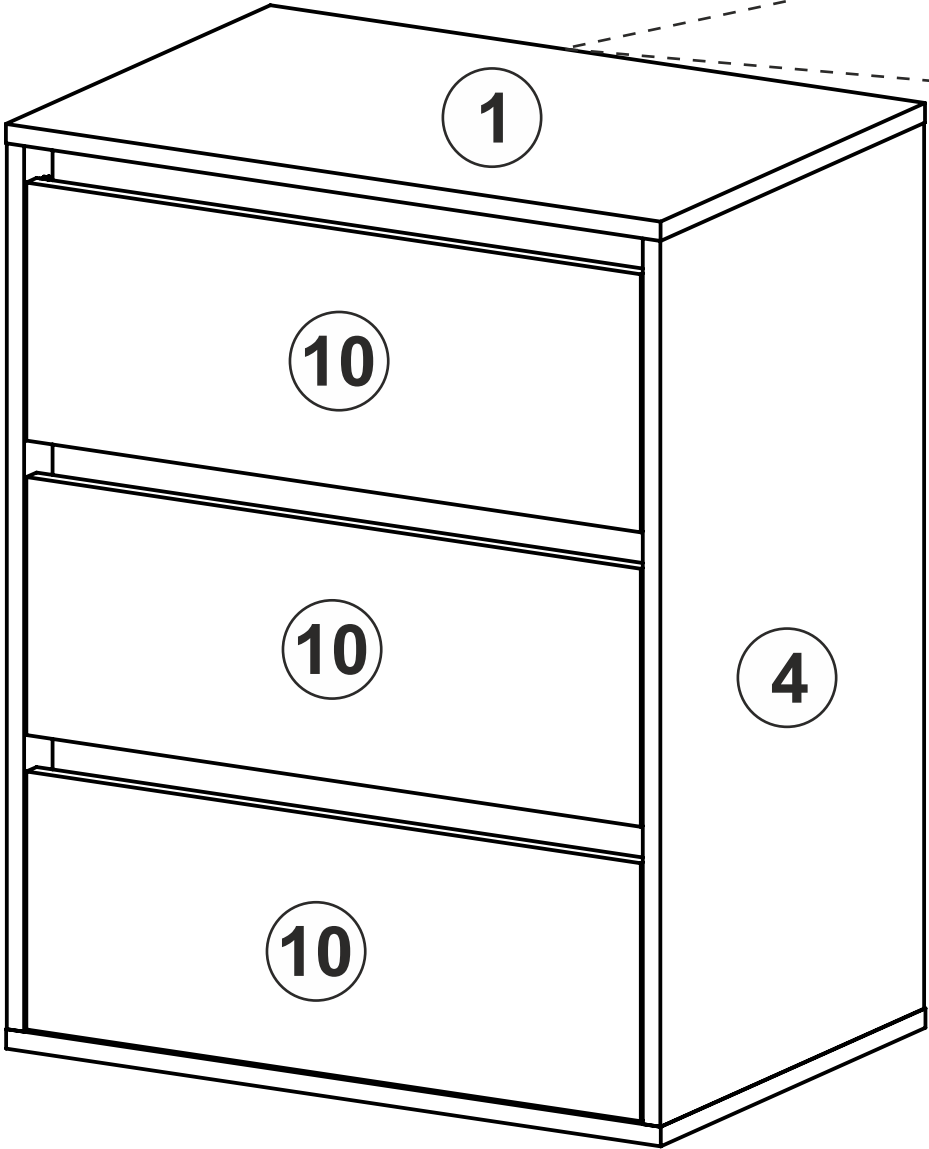




**8**



9



**10**

