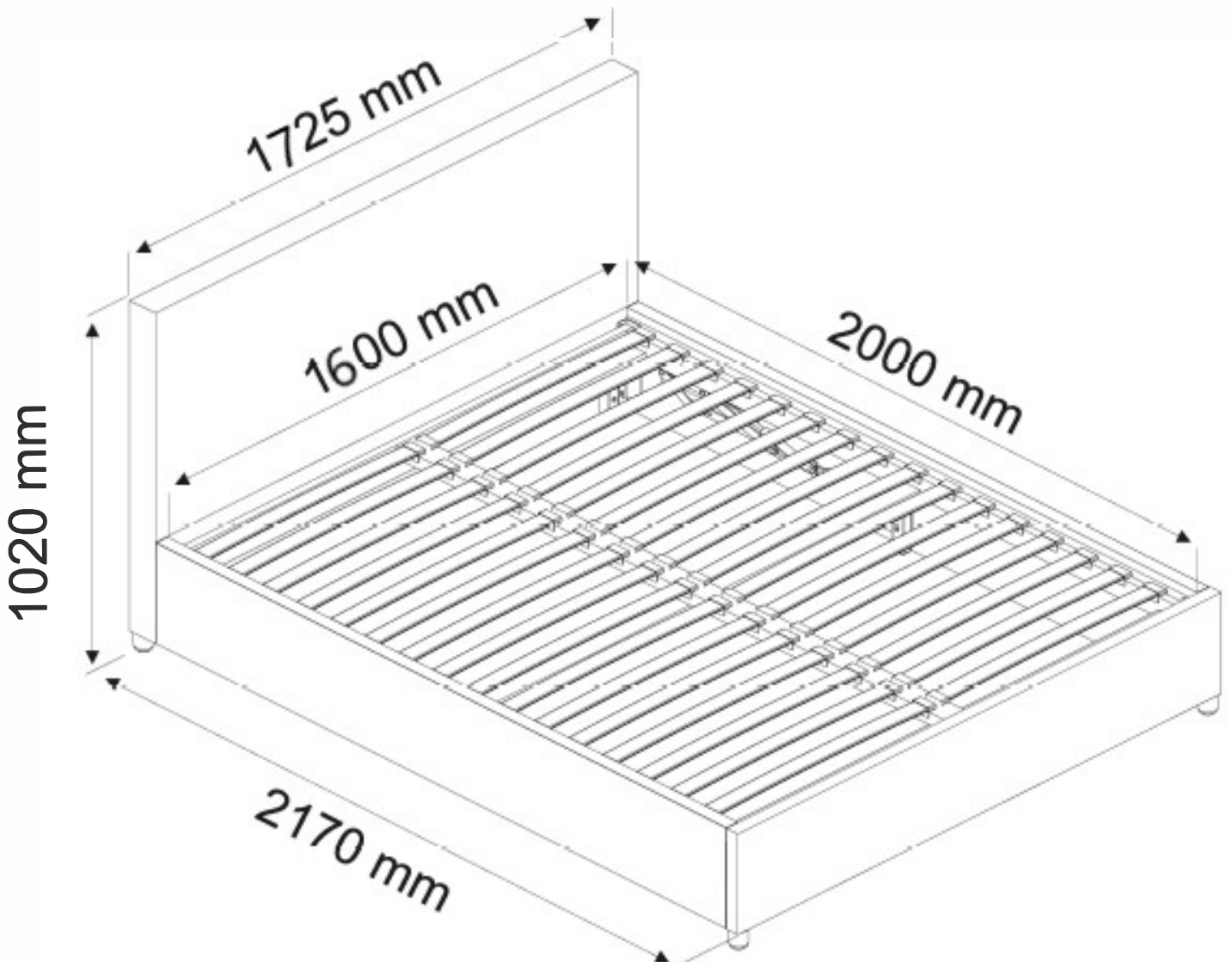
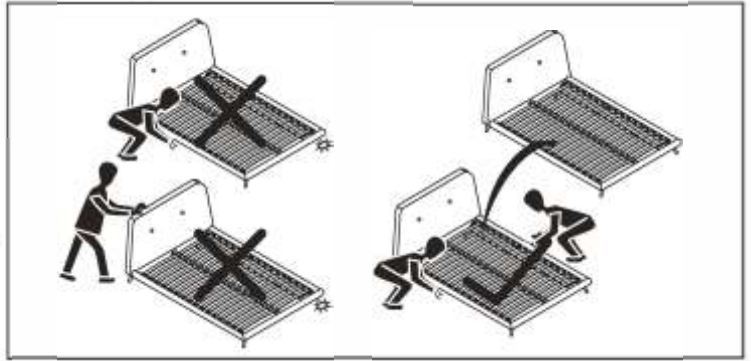
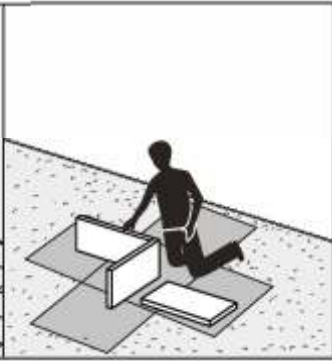
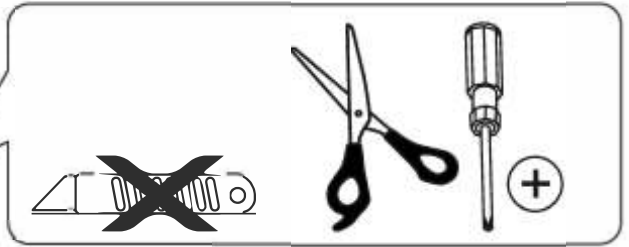
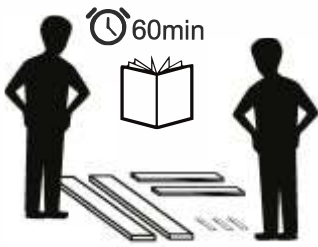
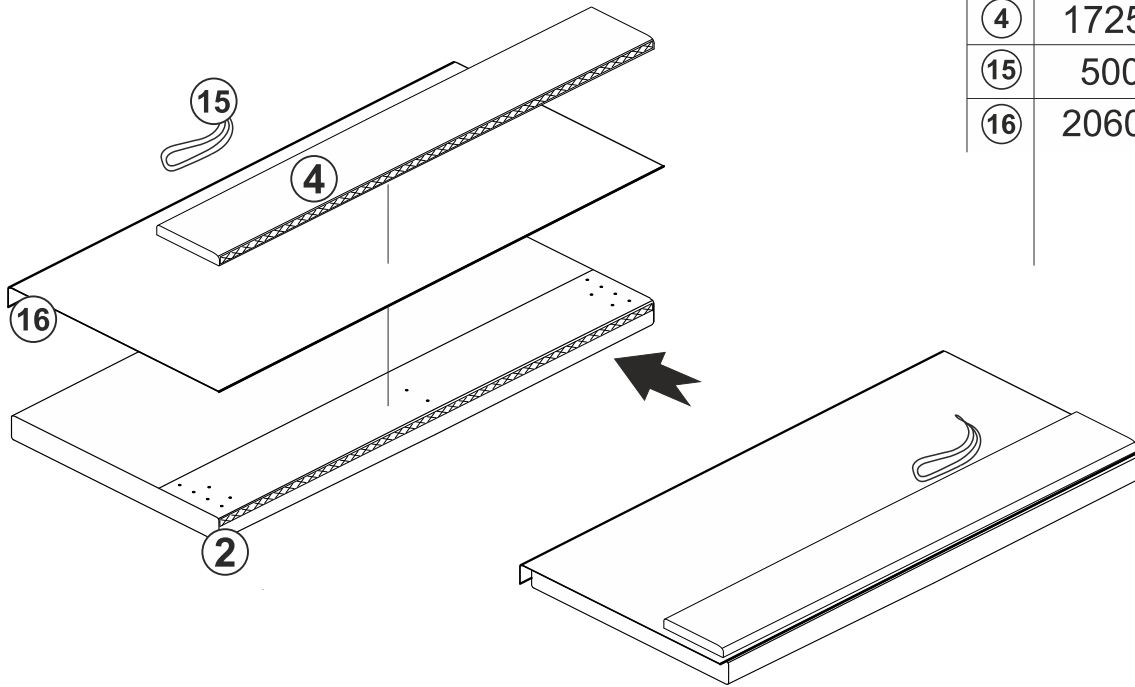


# BILLY 160cm



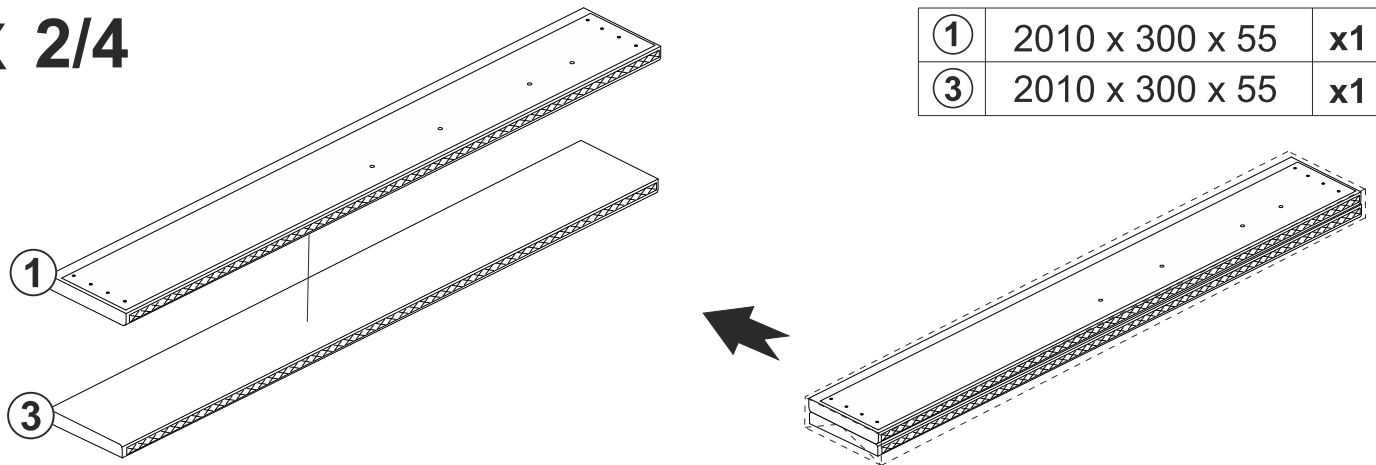
# BOX 1/4

②	1725 x 970 x 120	x1
④	1725 x 300 x 55	x1
⑮	500 x 25 x 3	x1
⑯	2060 x 1670 x 0.5	x1



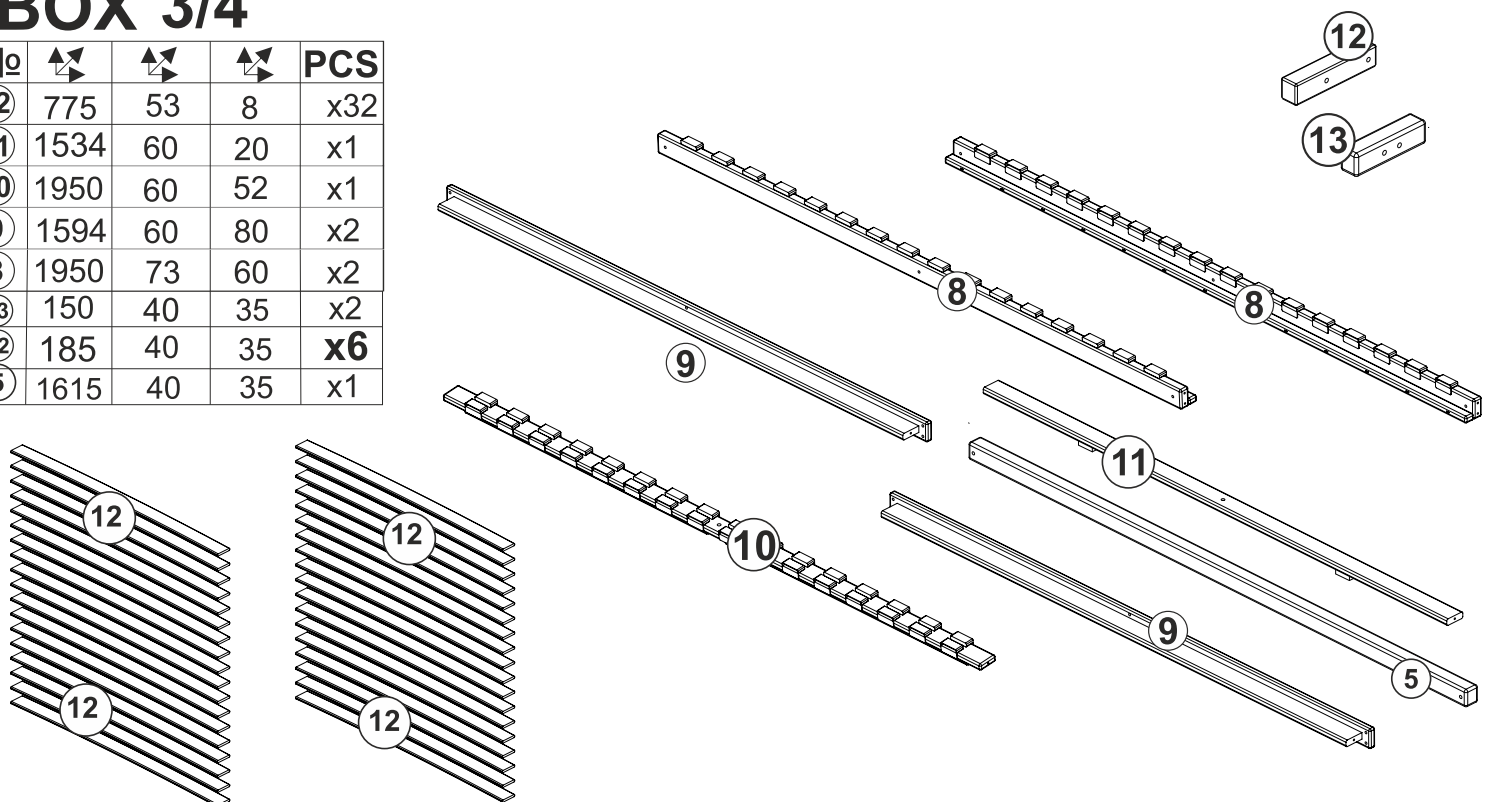
# BOX 2/4

①	2010 x 300 x 55	x1
③	2010 x 300 x 55	x1

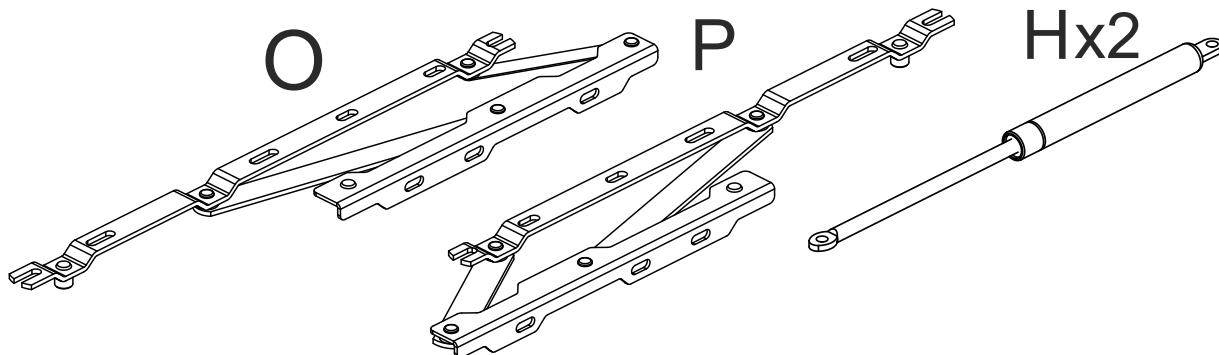
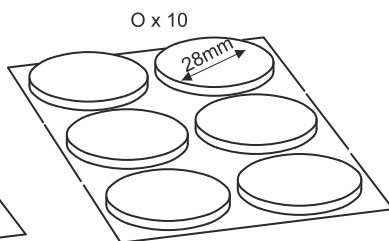
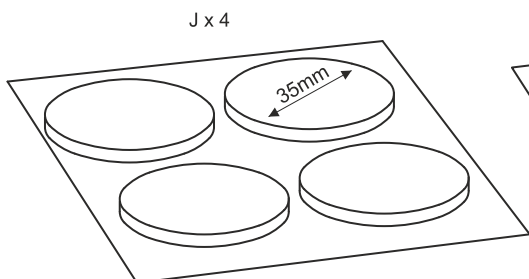
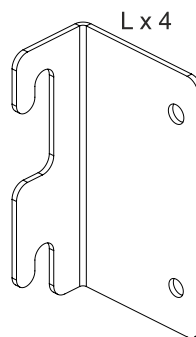
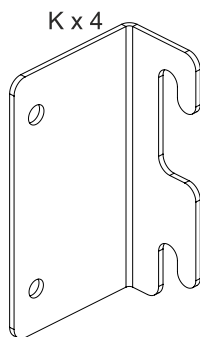
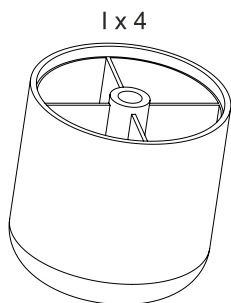
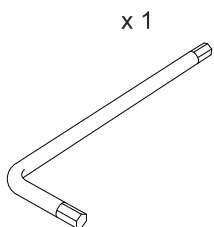
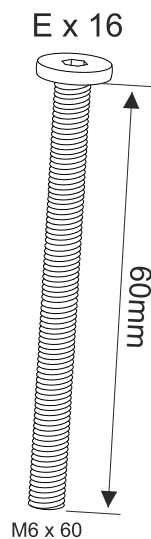
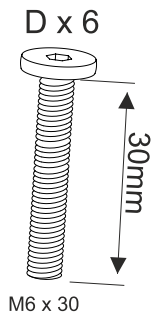
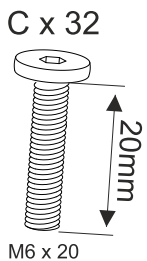
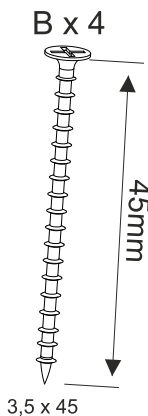
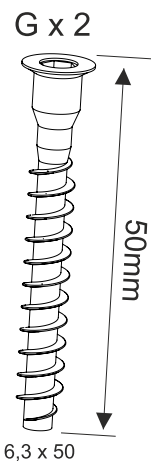
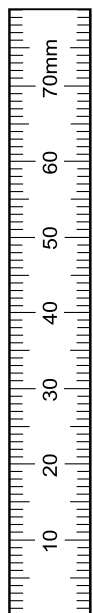


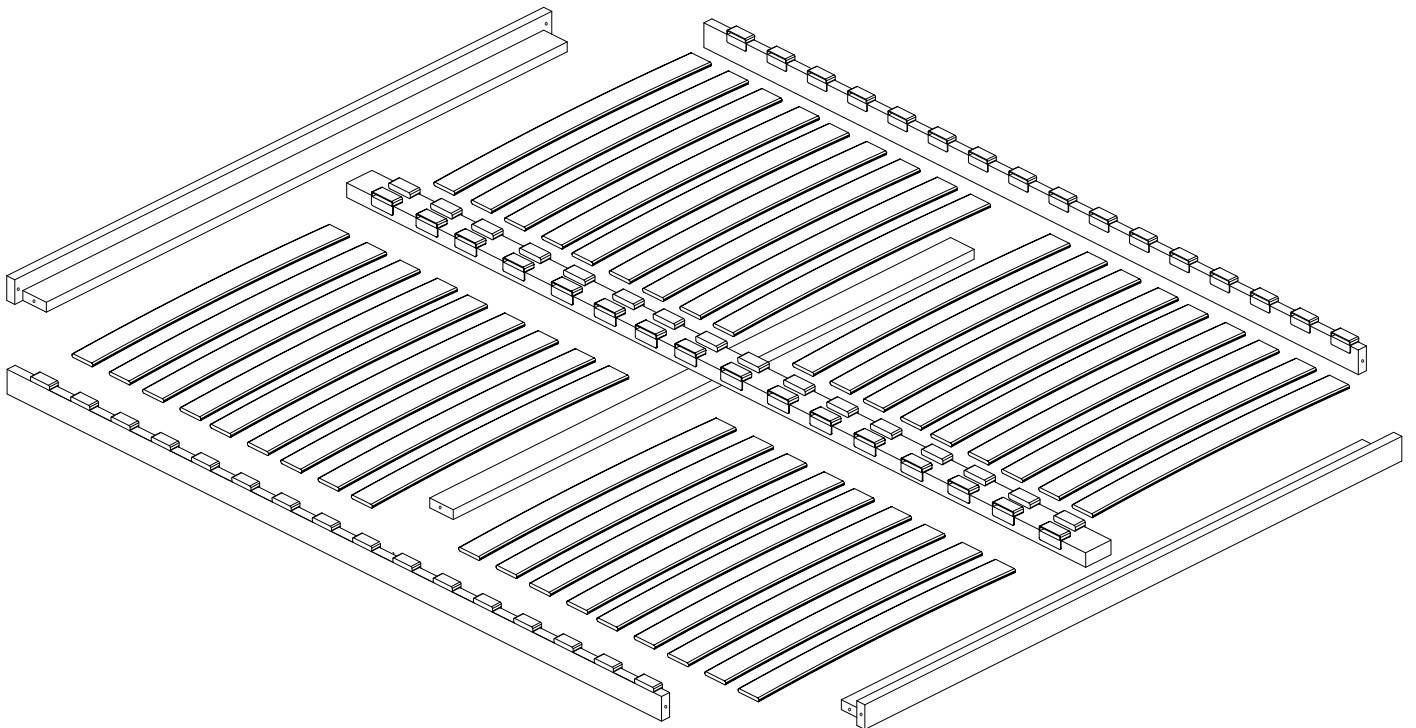
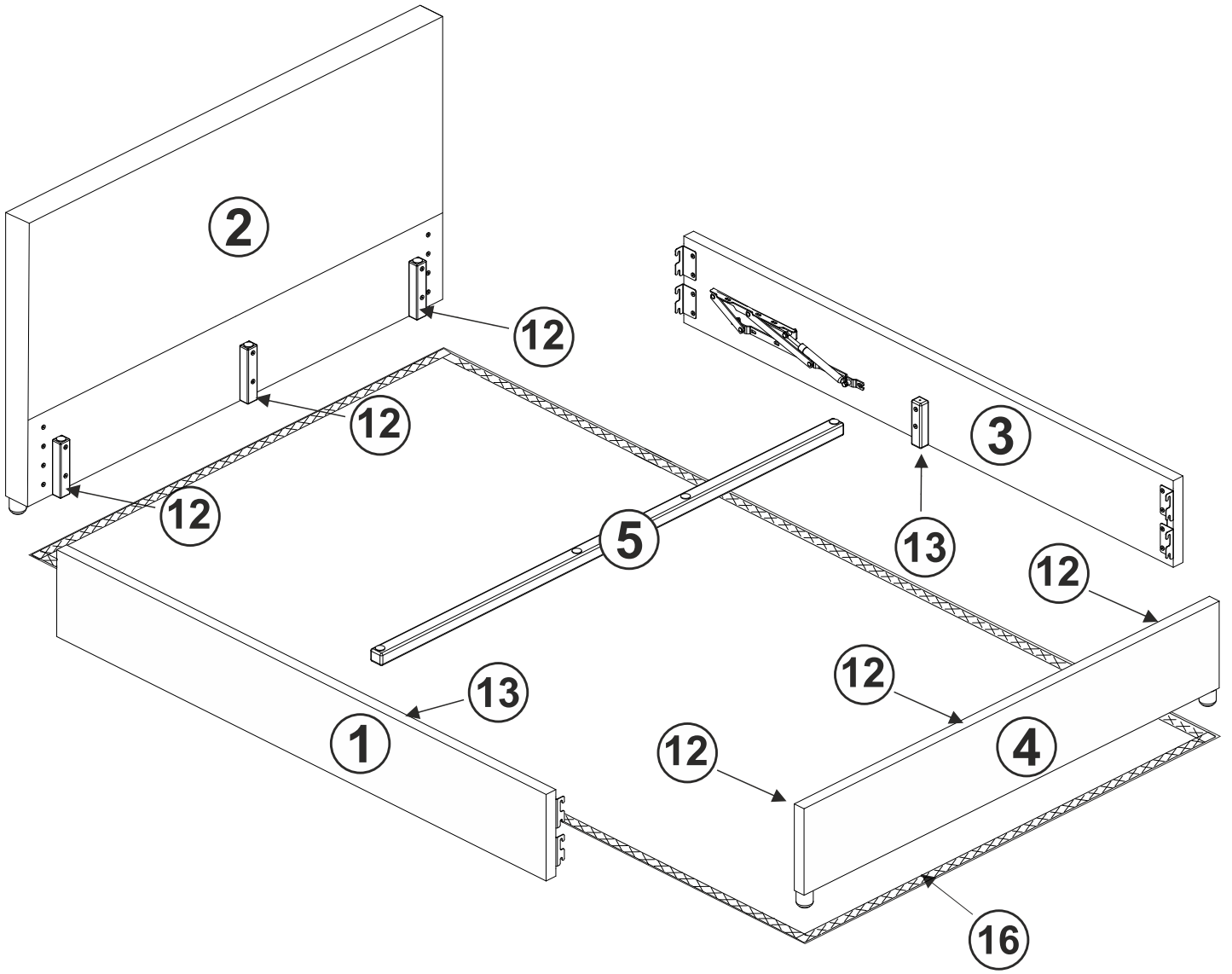
# BOX 3/4

No	↕	↕	↕	PCS
⑫	775	53	8	x32
⑪	1534	60	20	x1
⑩	1950	60	52	x1
⑨	1594	60	80	x2
⑧	1950	73	60	x2
⑬	150	40	35	x2
⑫	185	40	35	<b>x6</b>
⑤	1615	40	35	x1

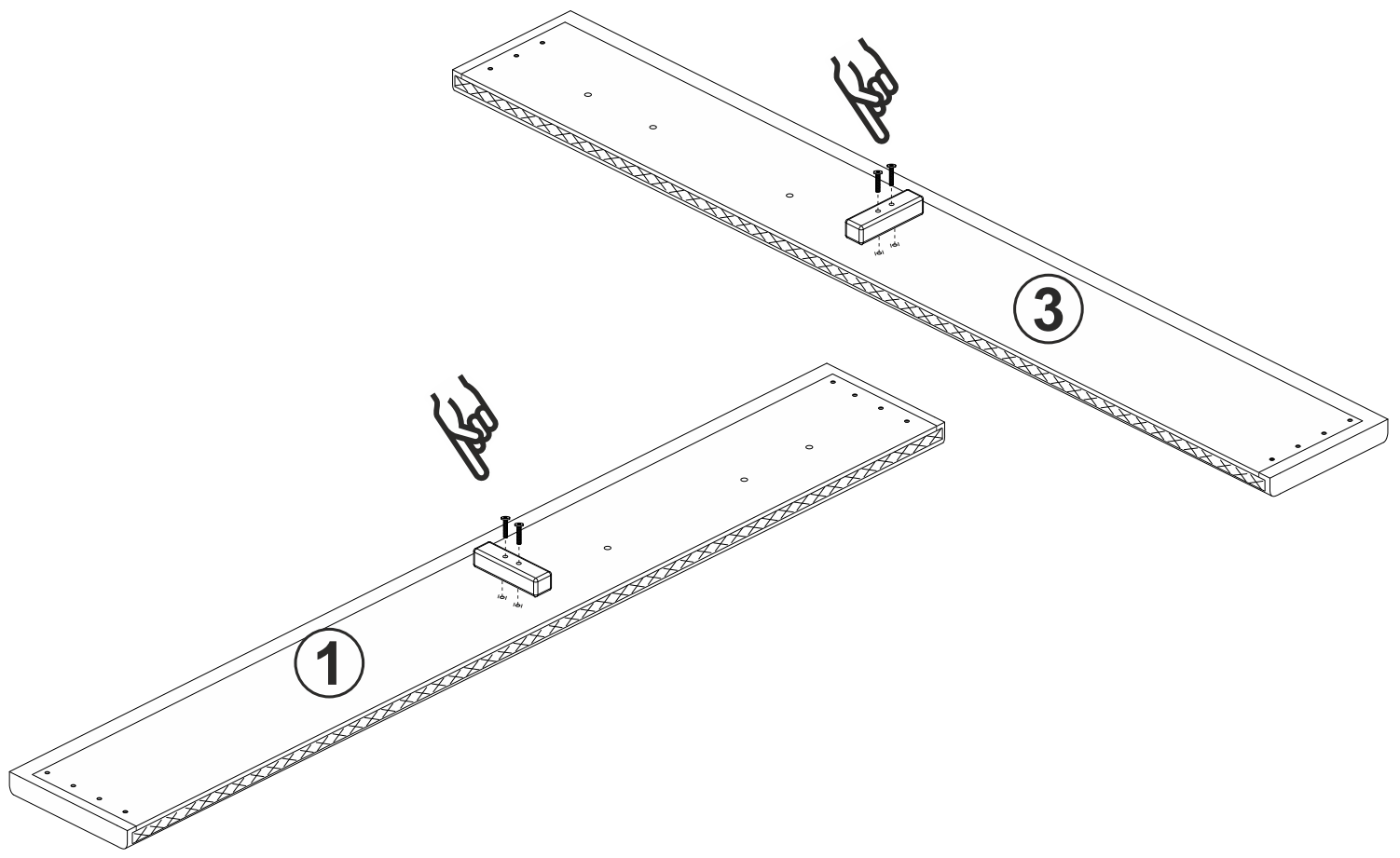
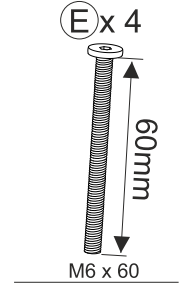
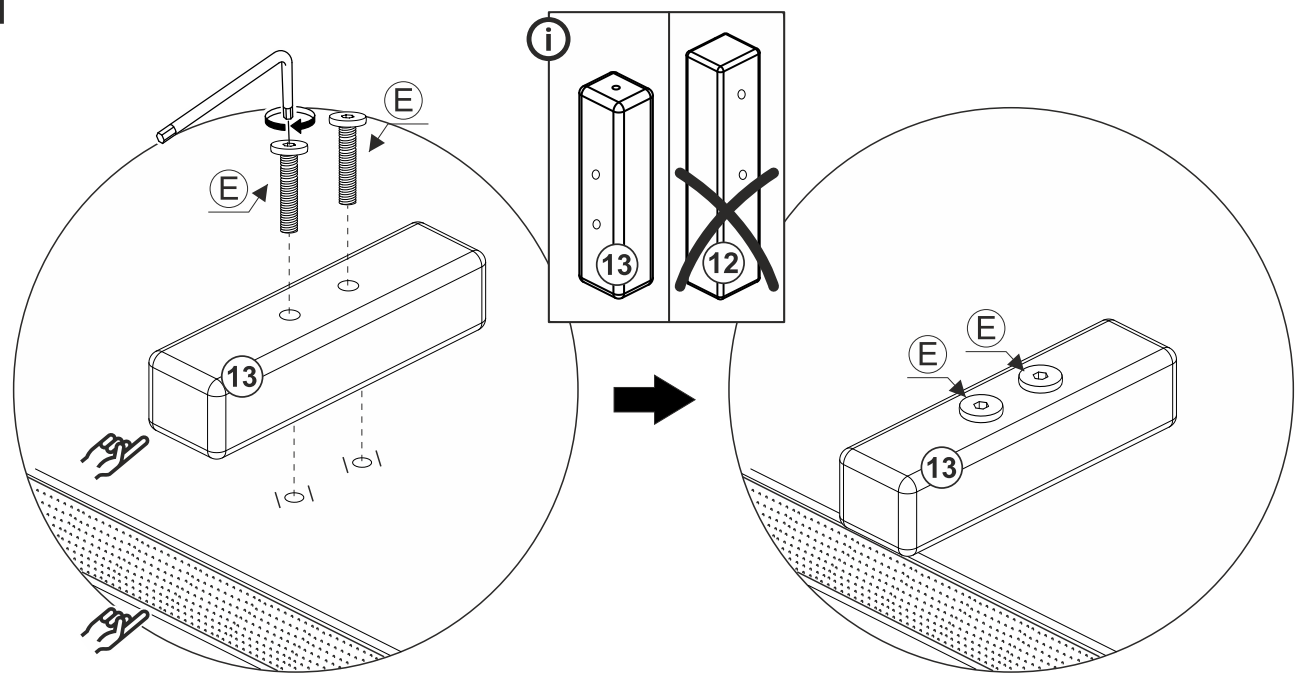


# BOX 4/4

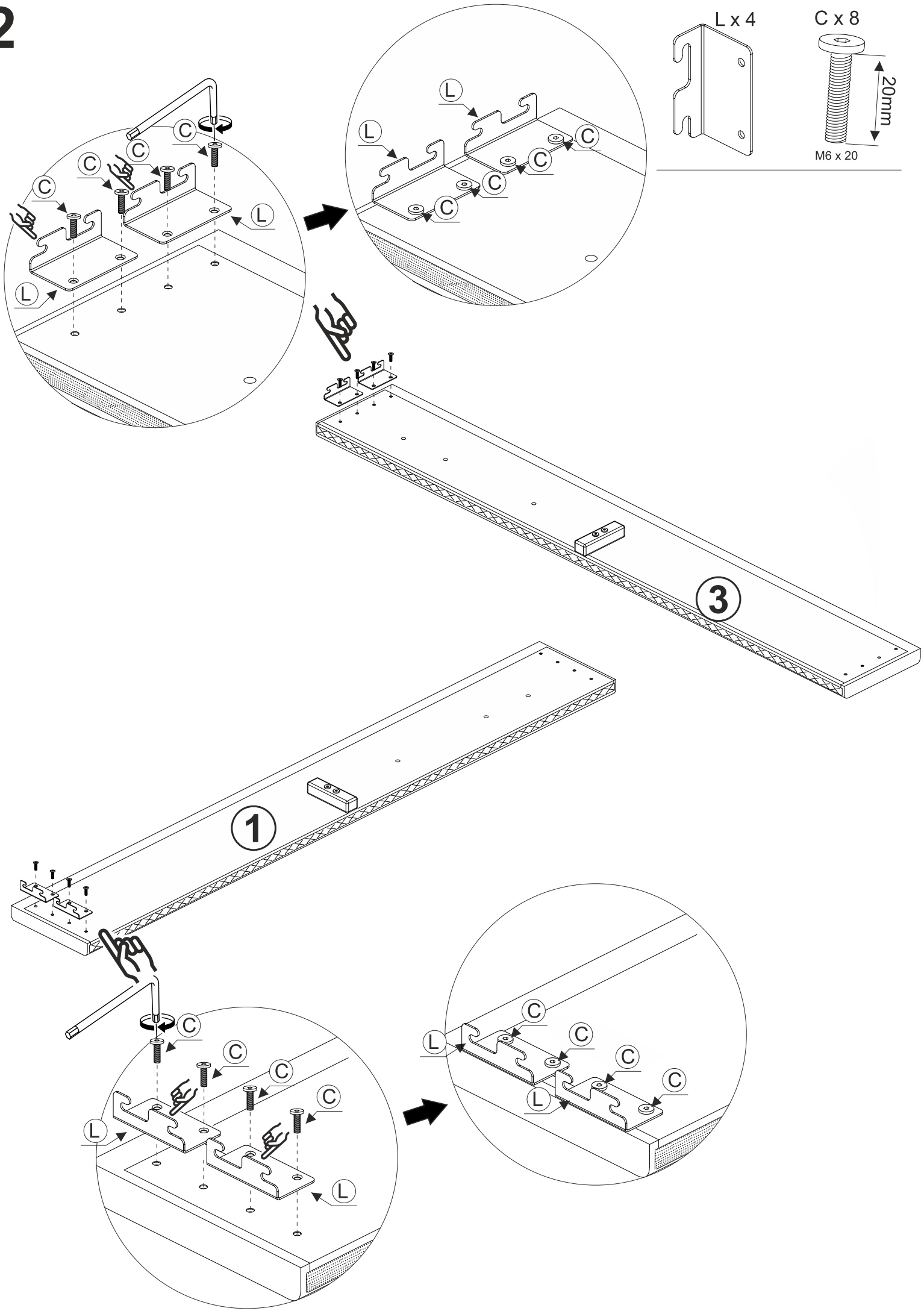


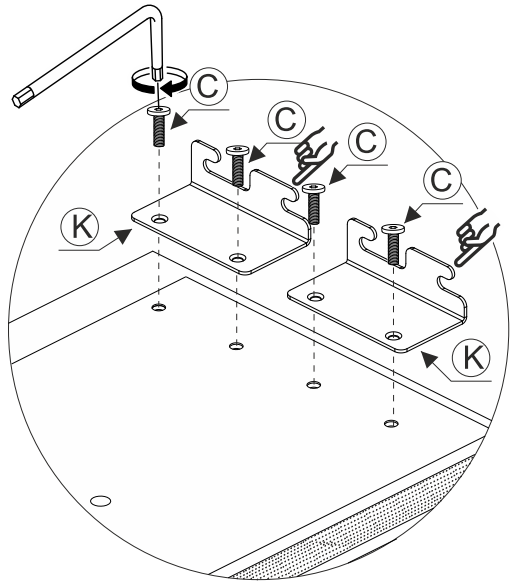
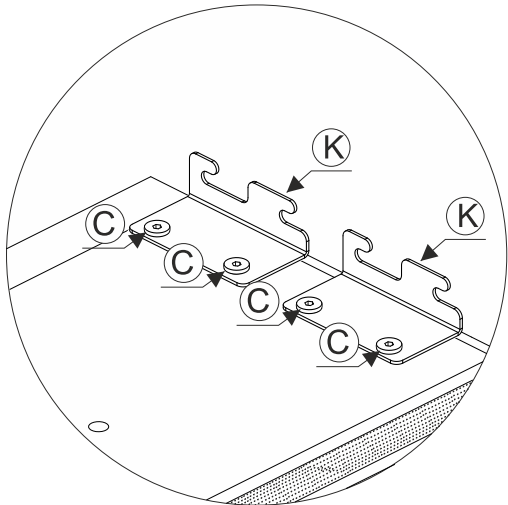
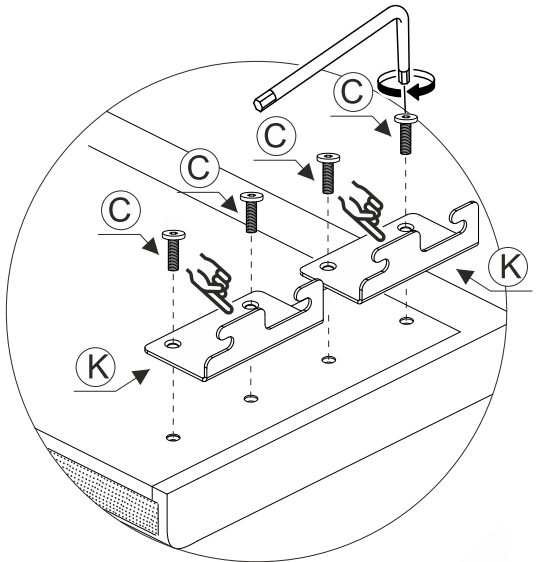
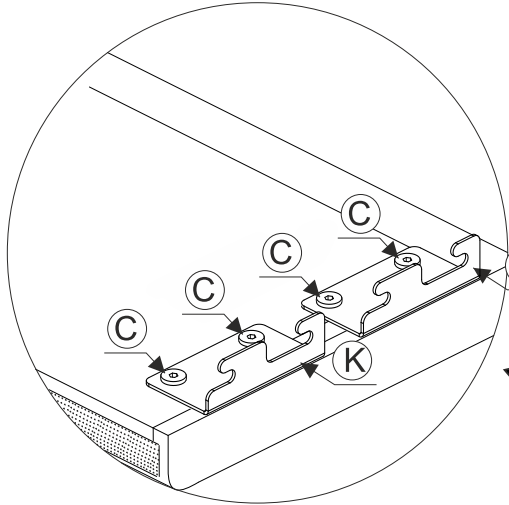
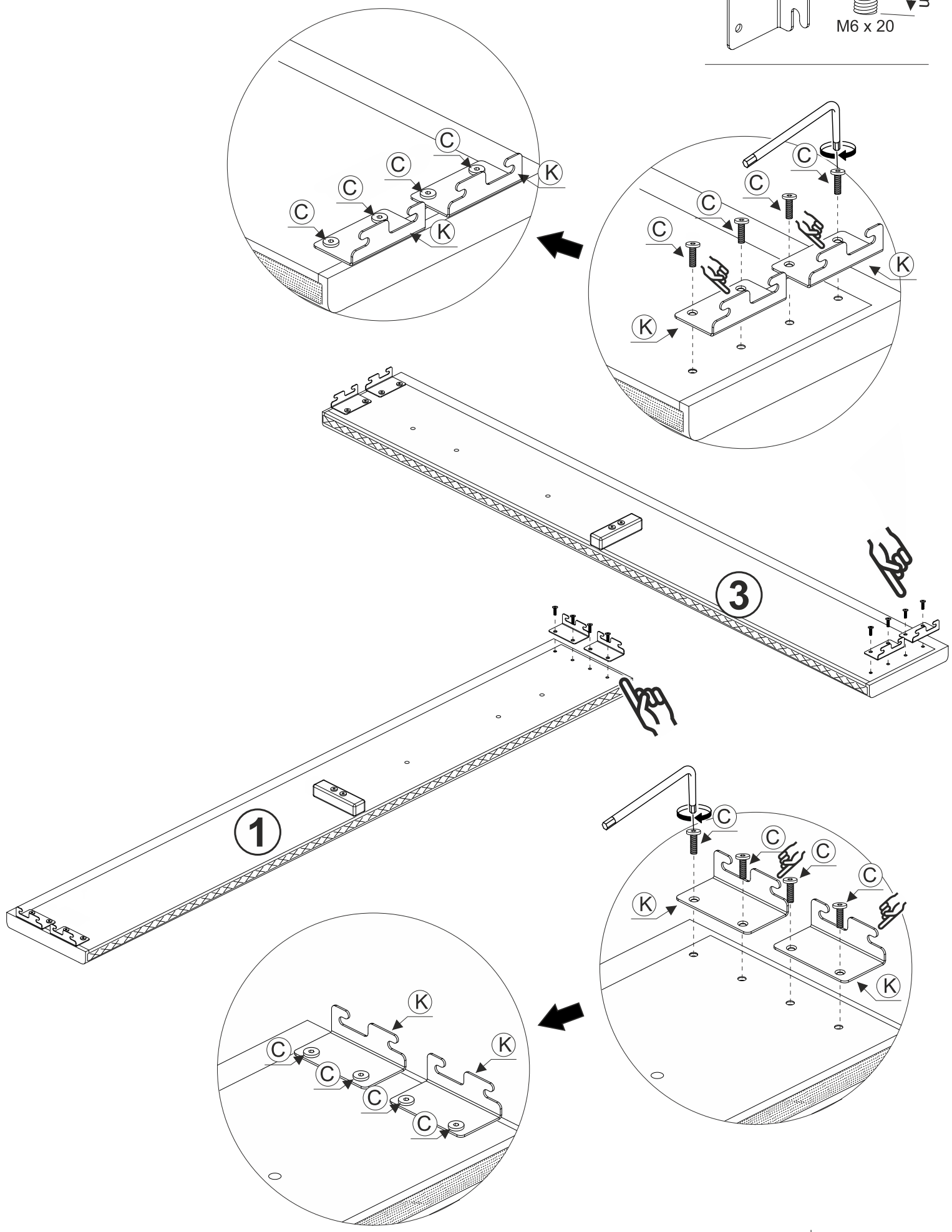
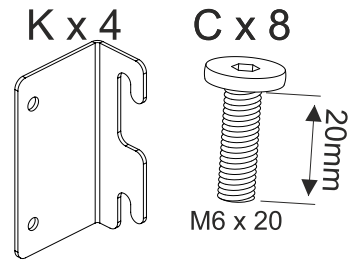


# 1

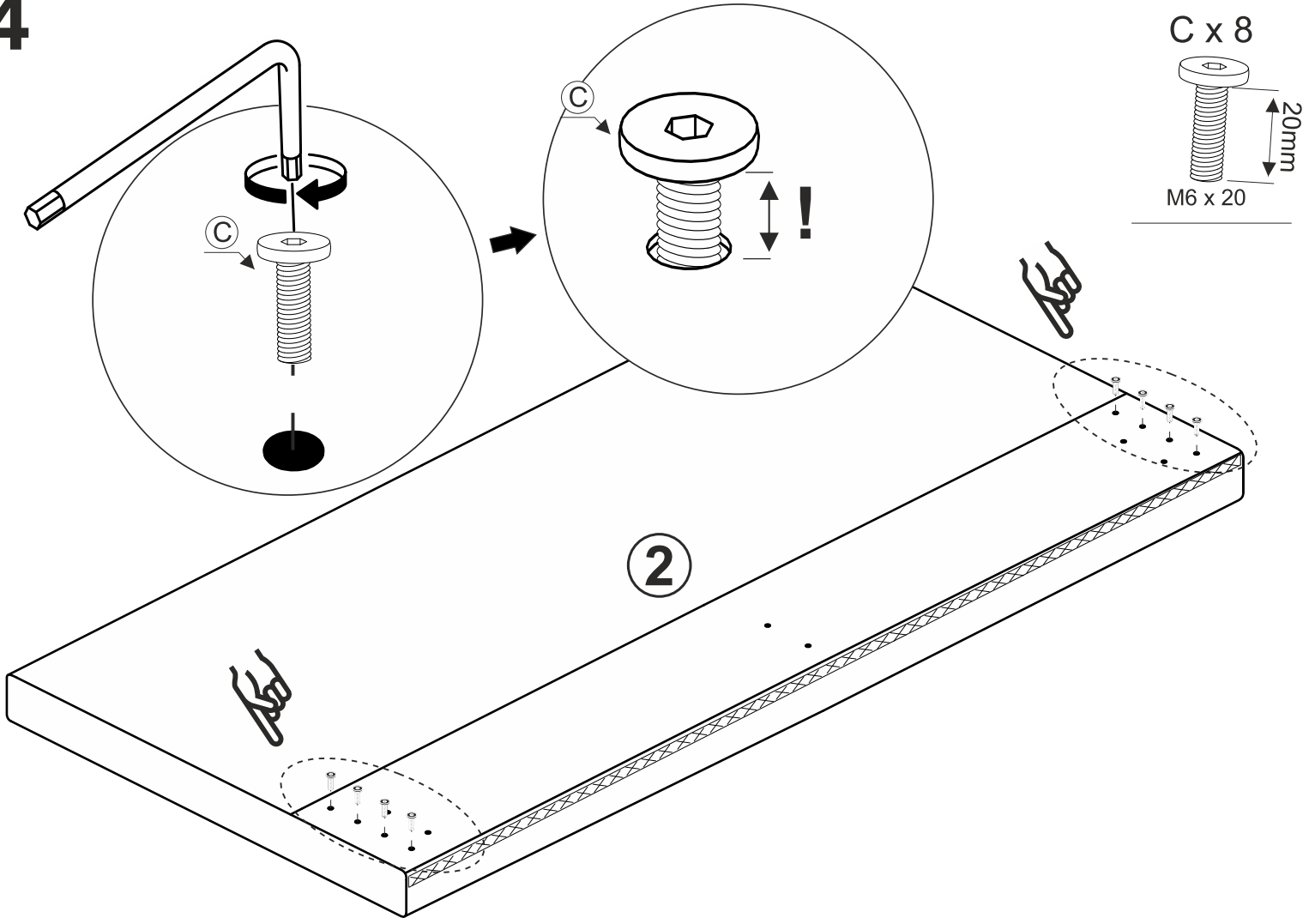


2

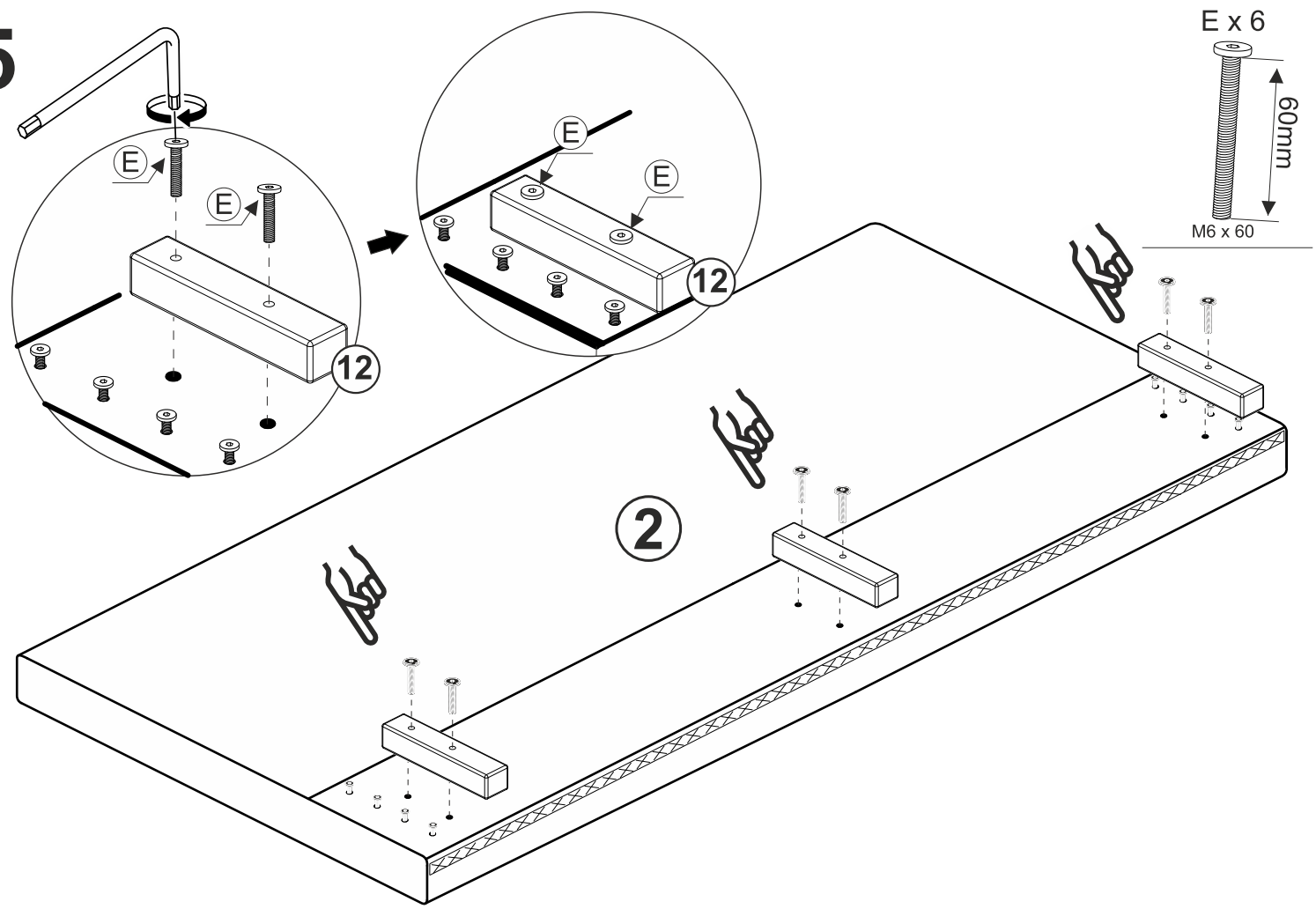




4

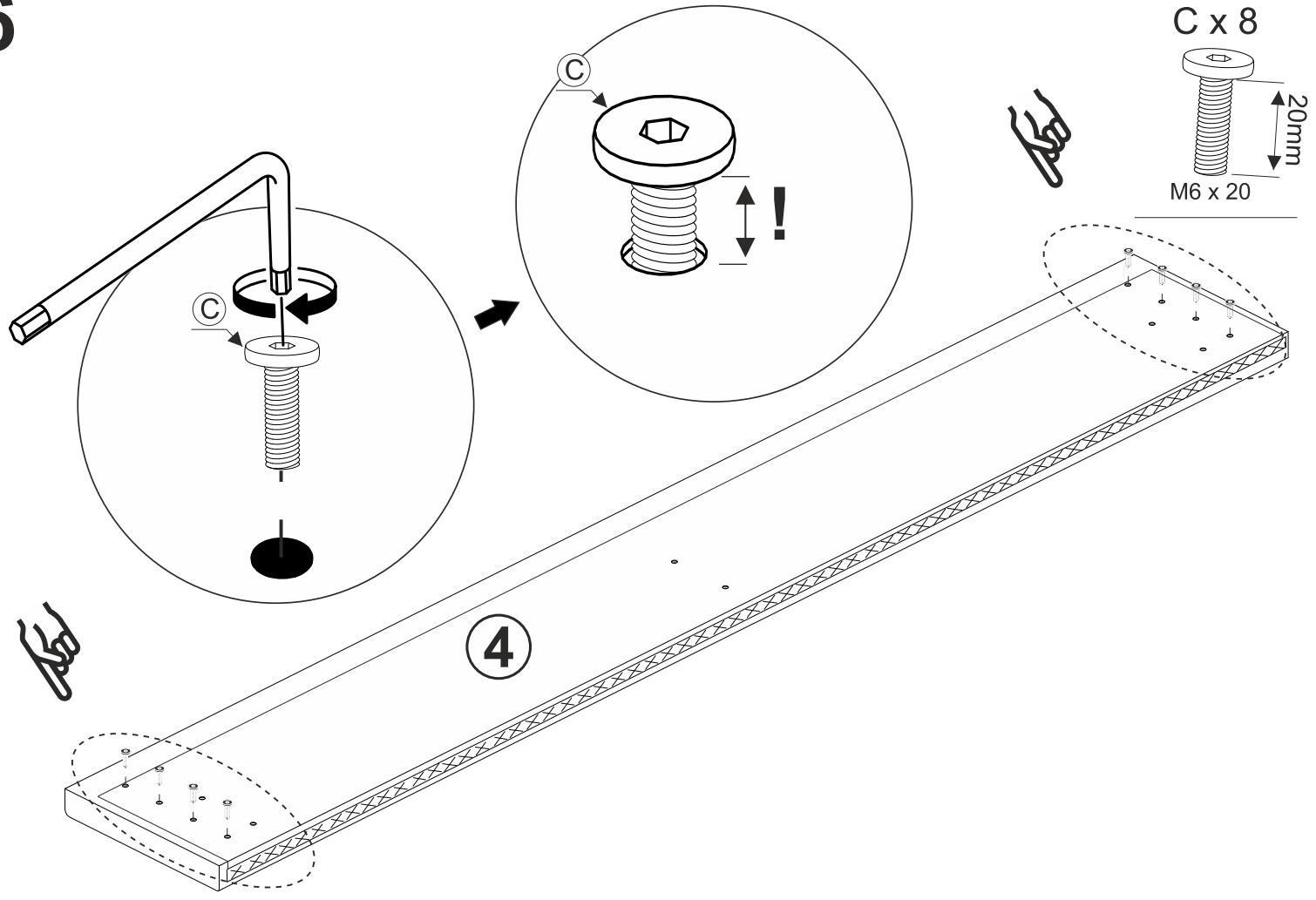


5

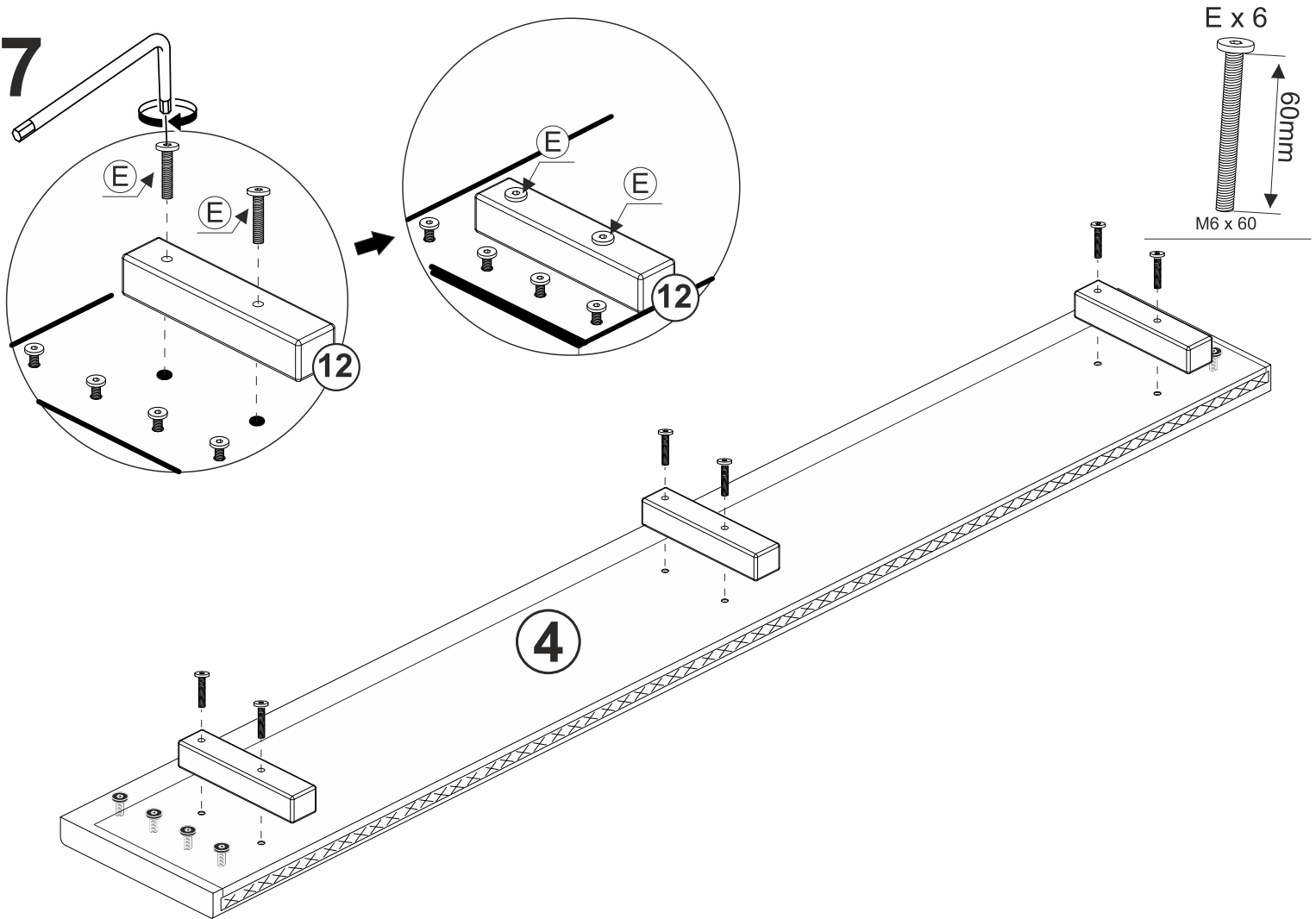




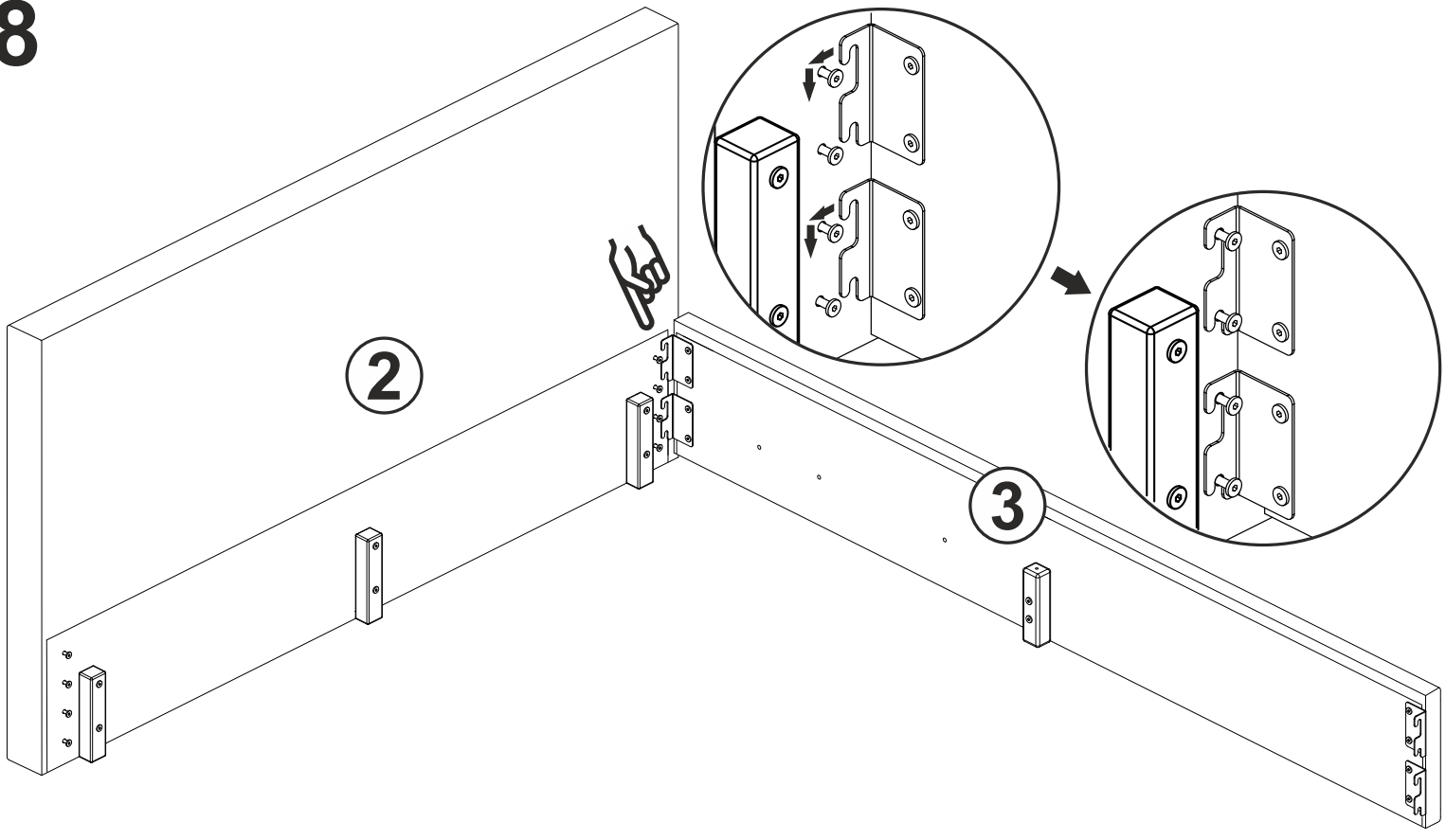
6



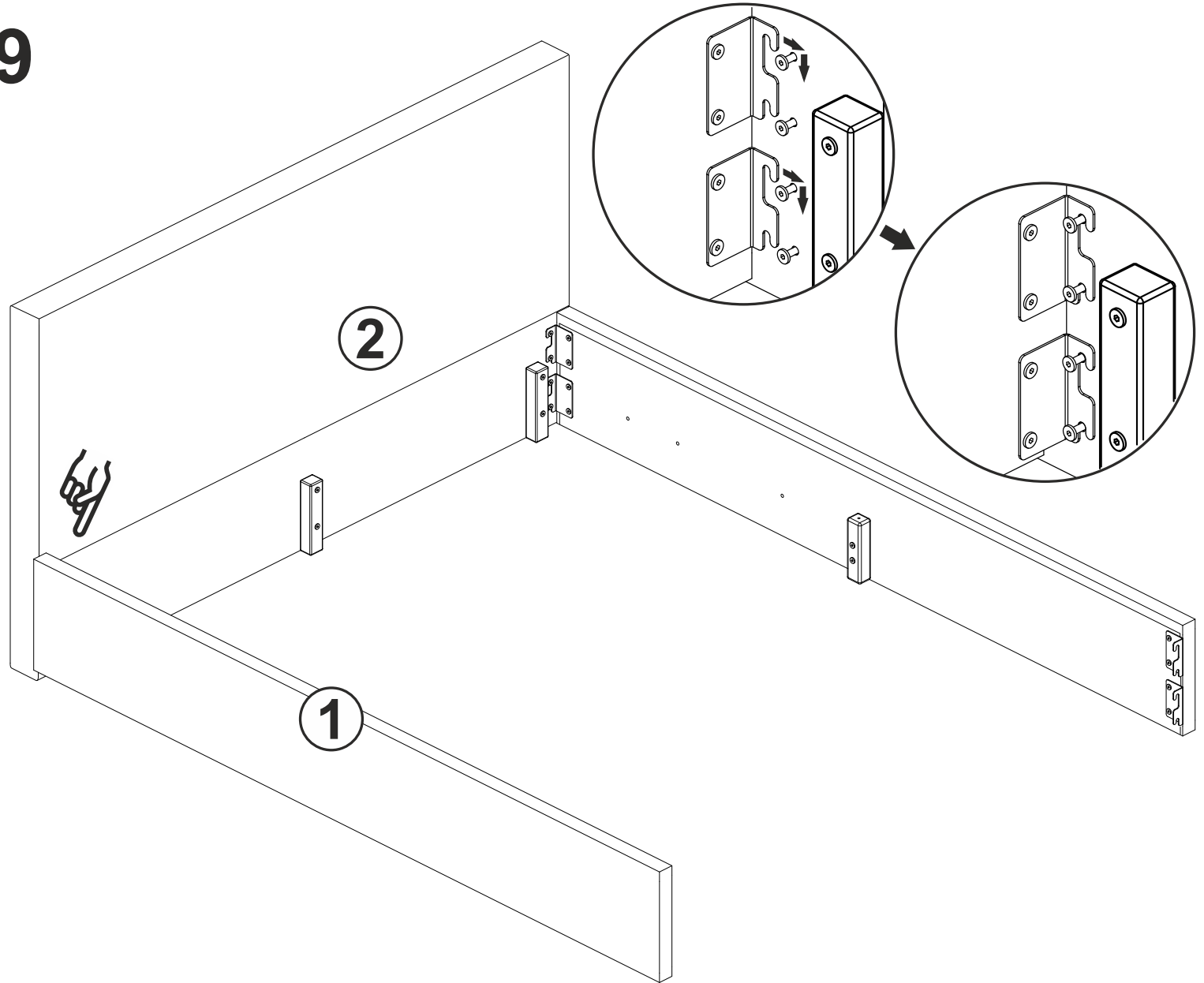
7



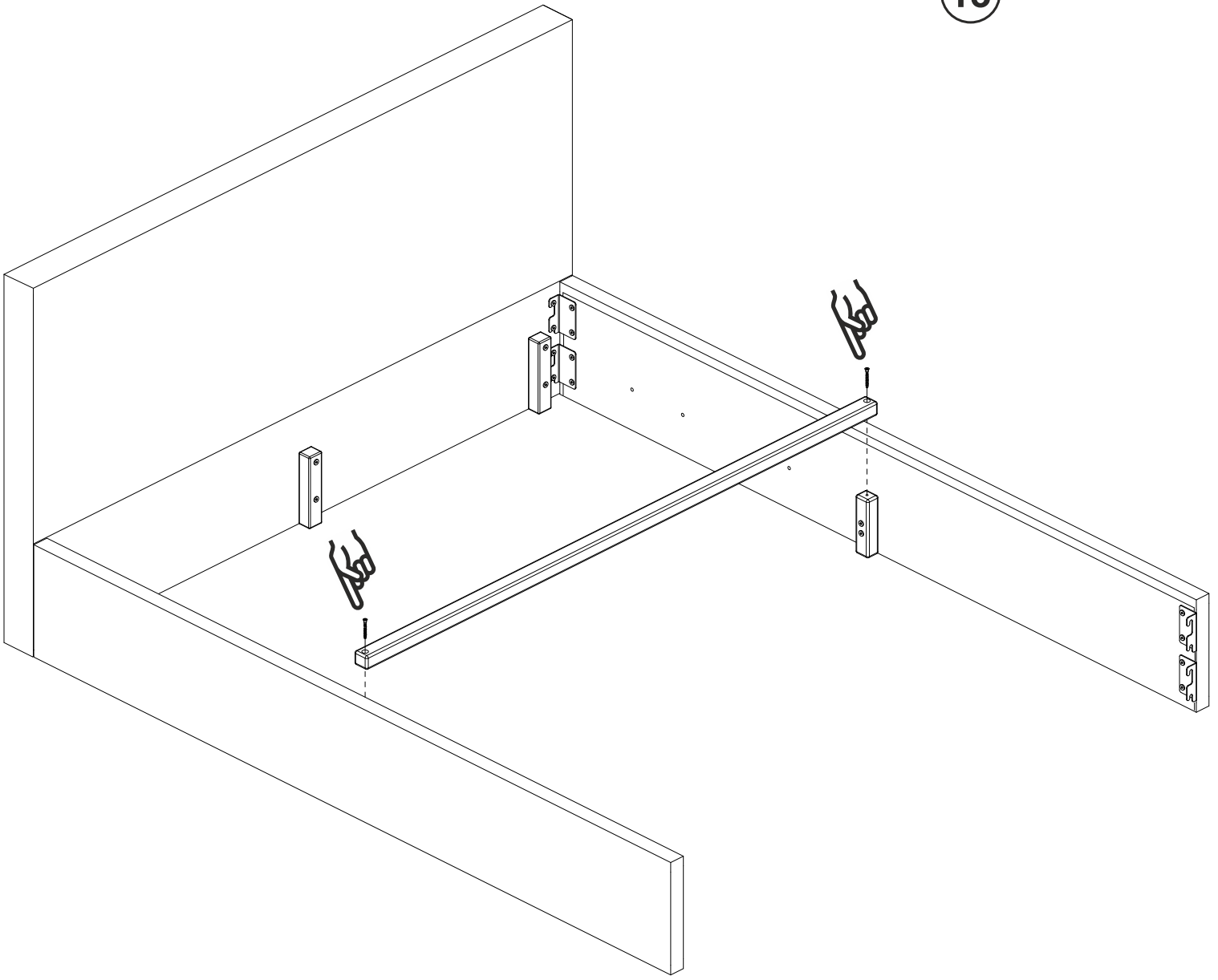
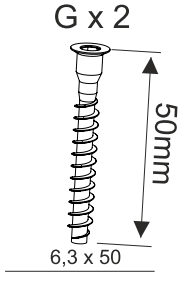
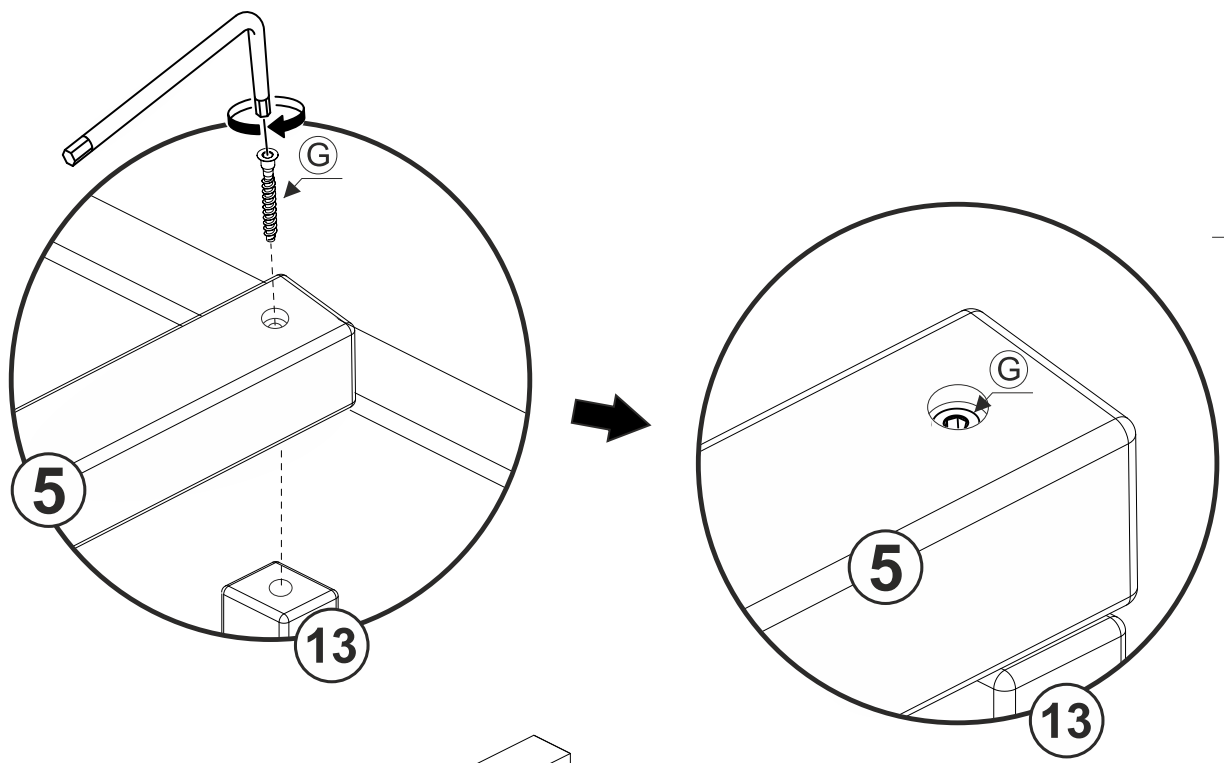
8

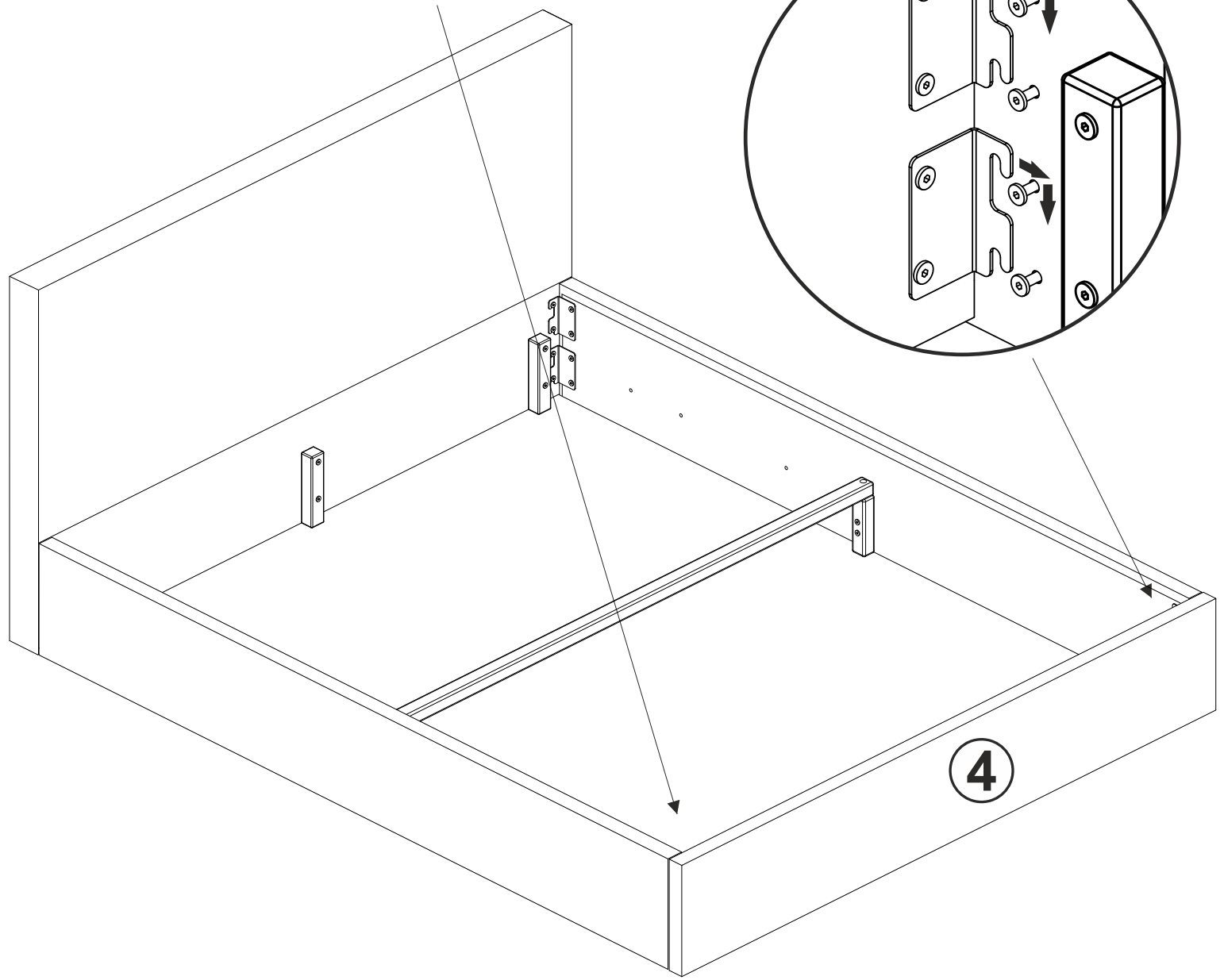
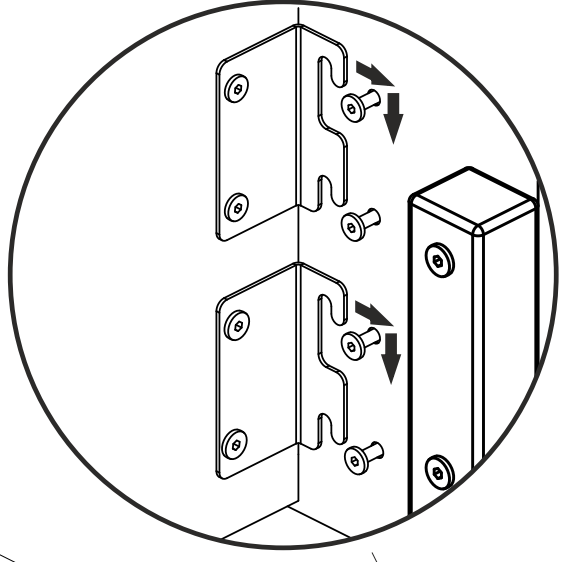
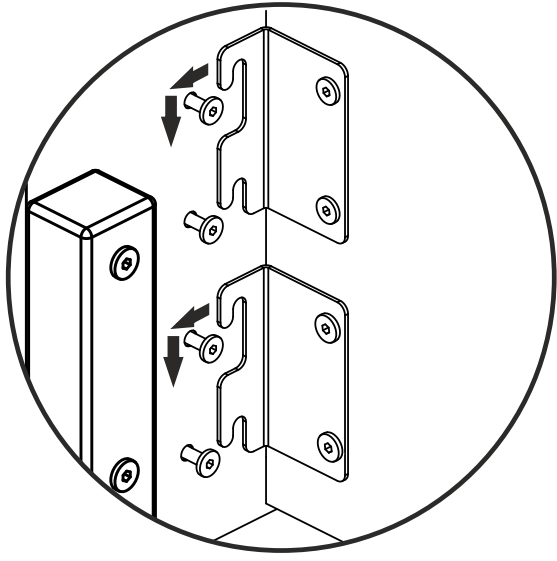


9



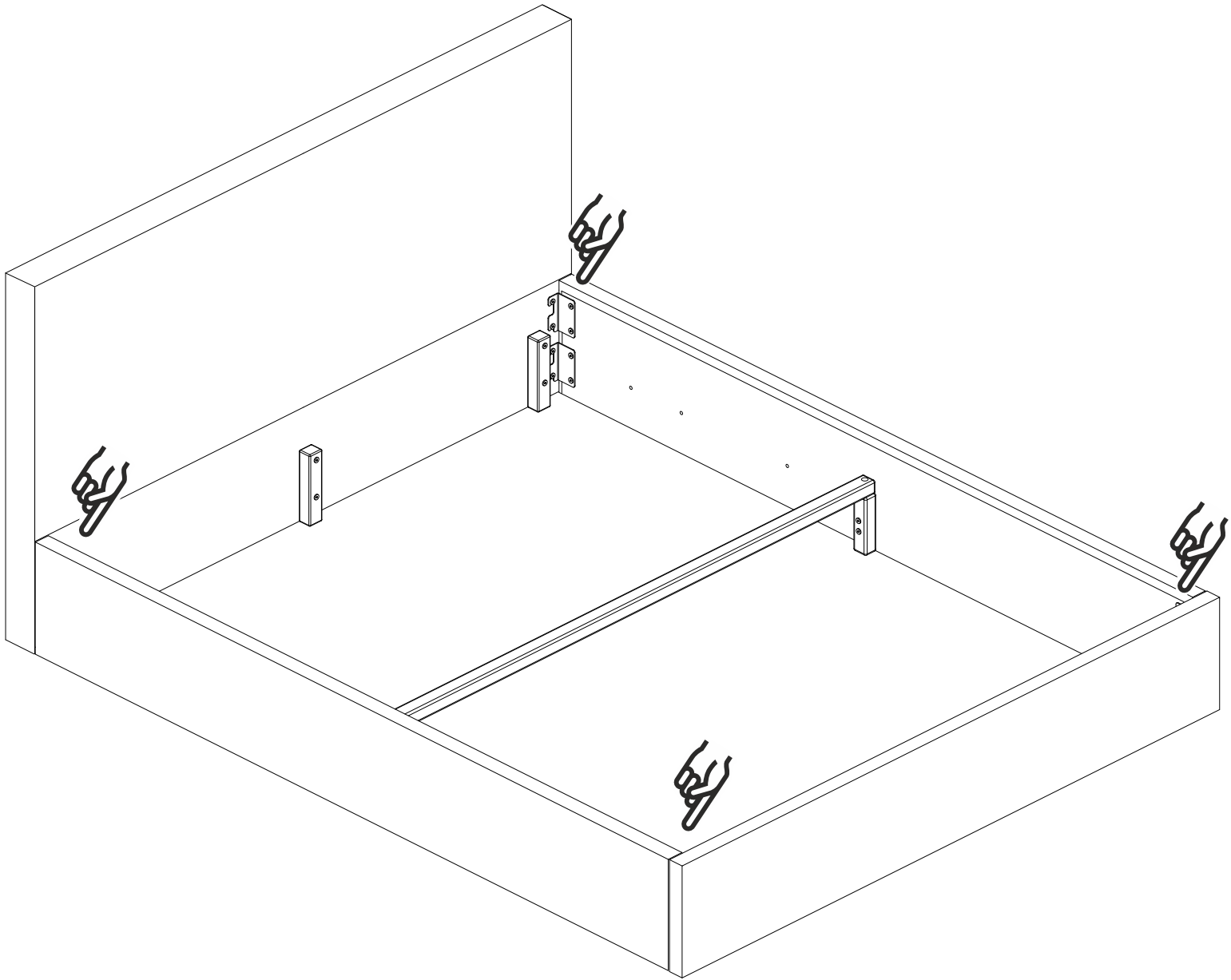
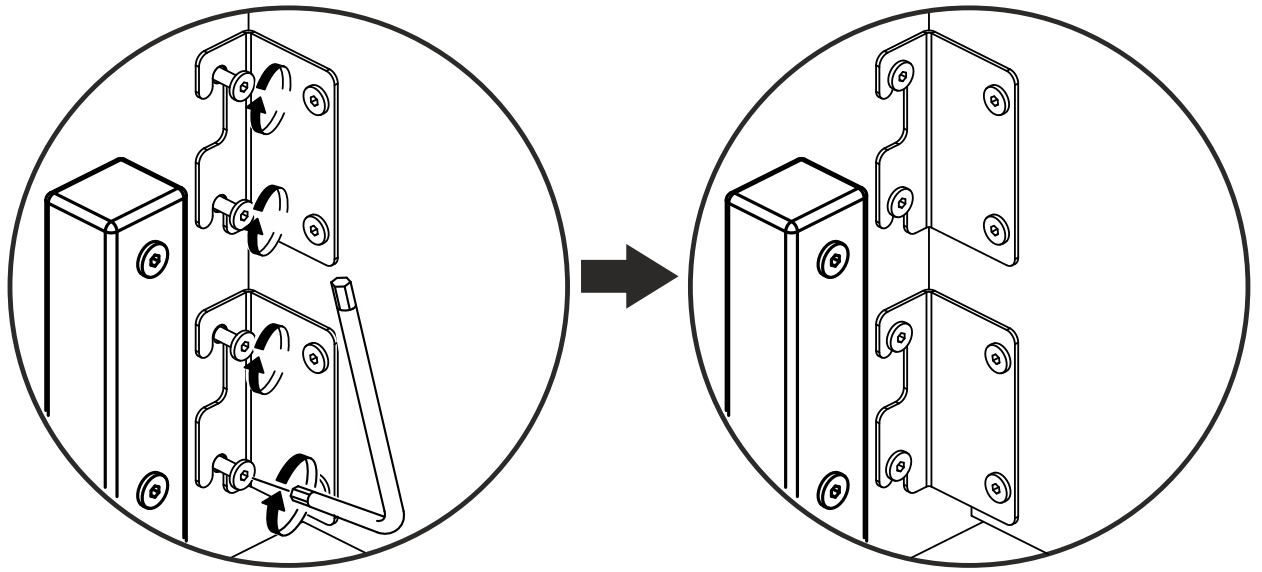
# 10



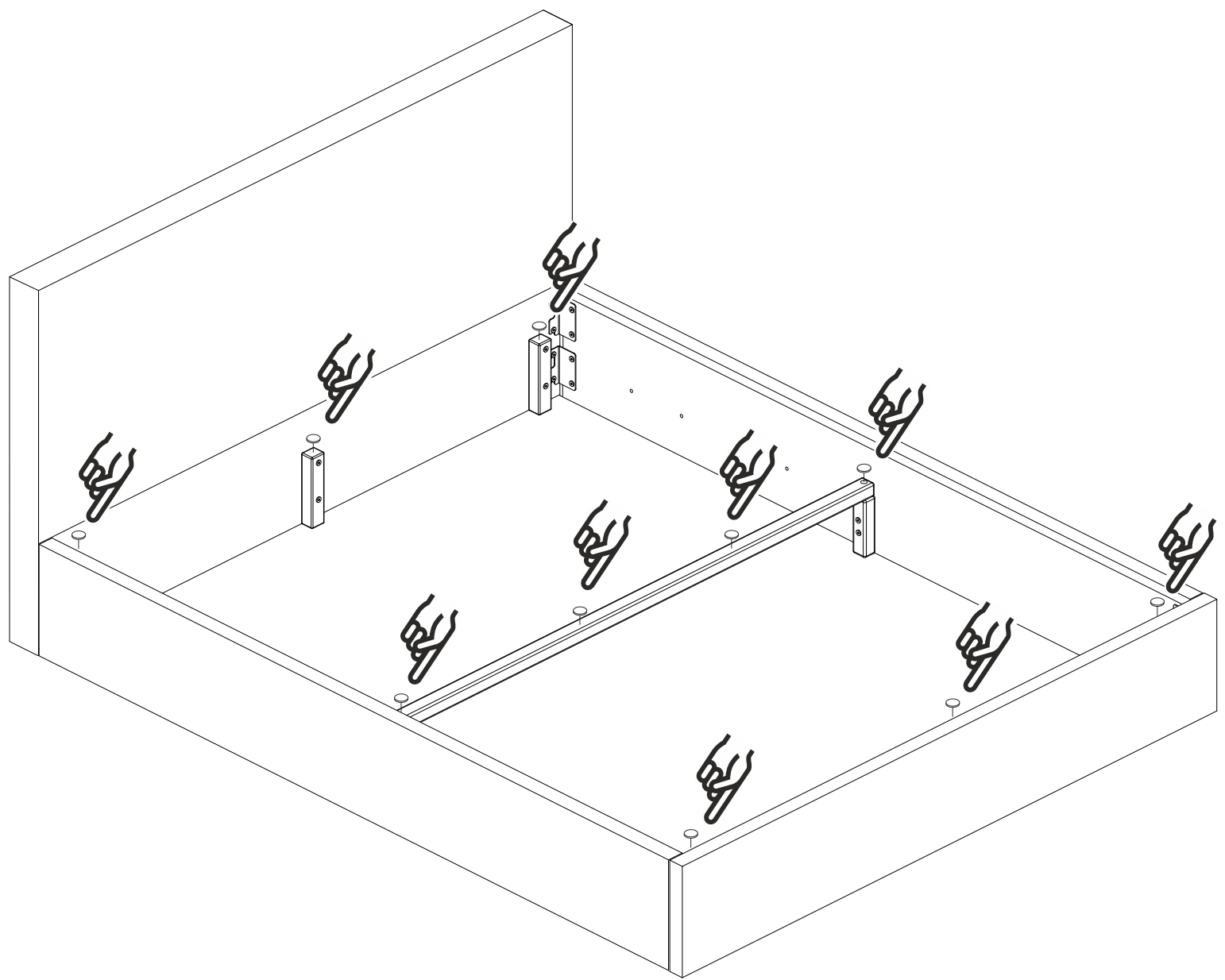
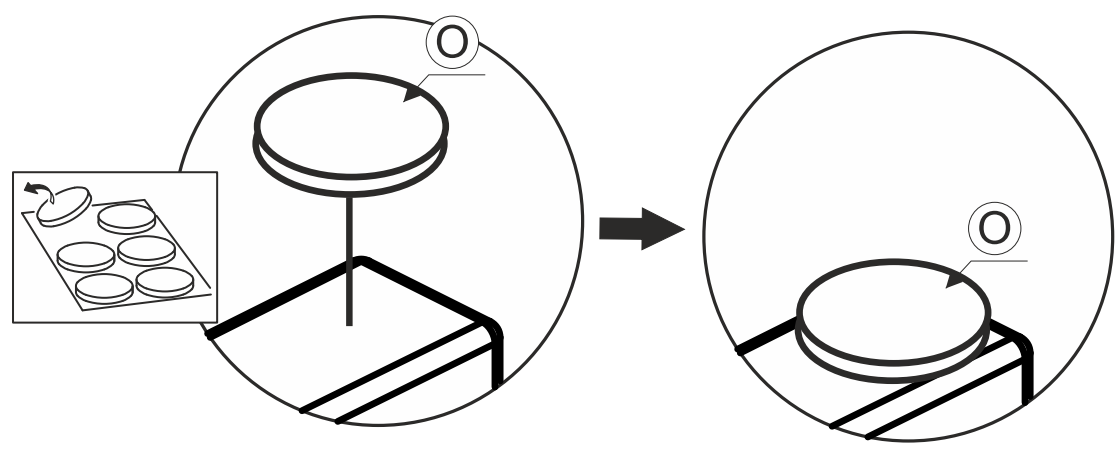
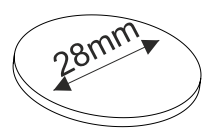


4

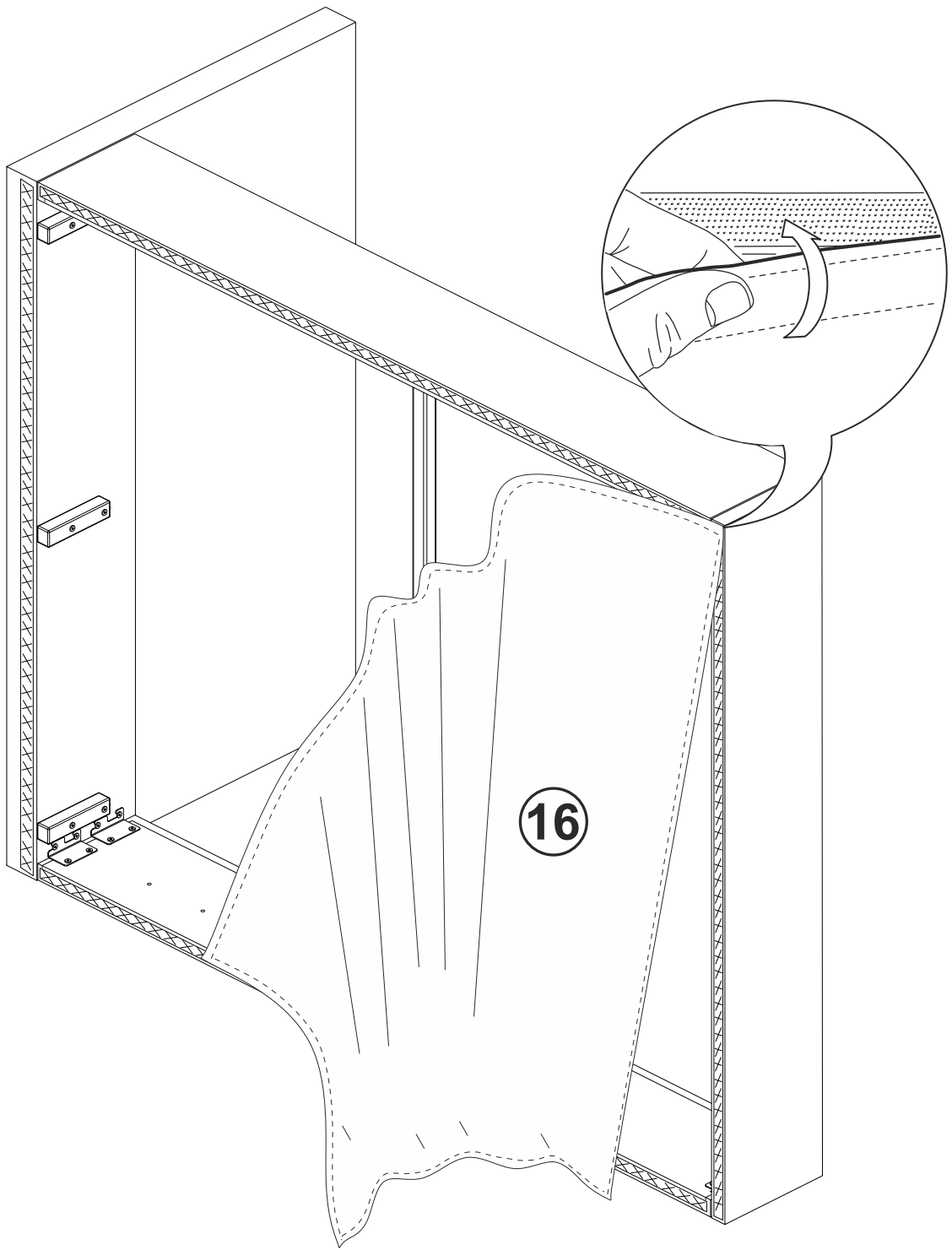
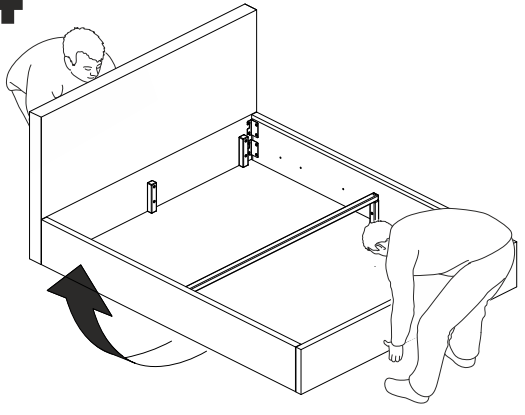
12



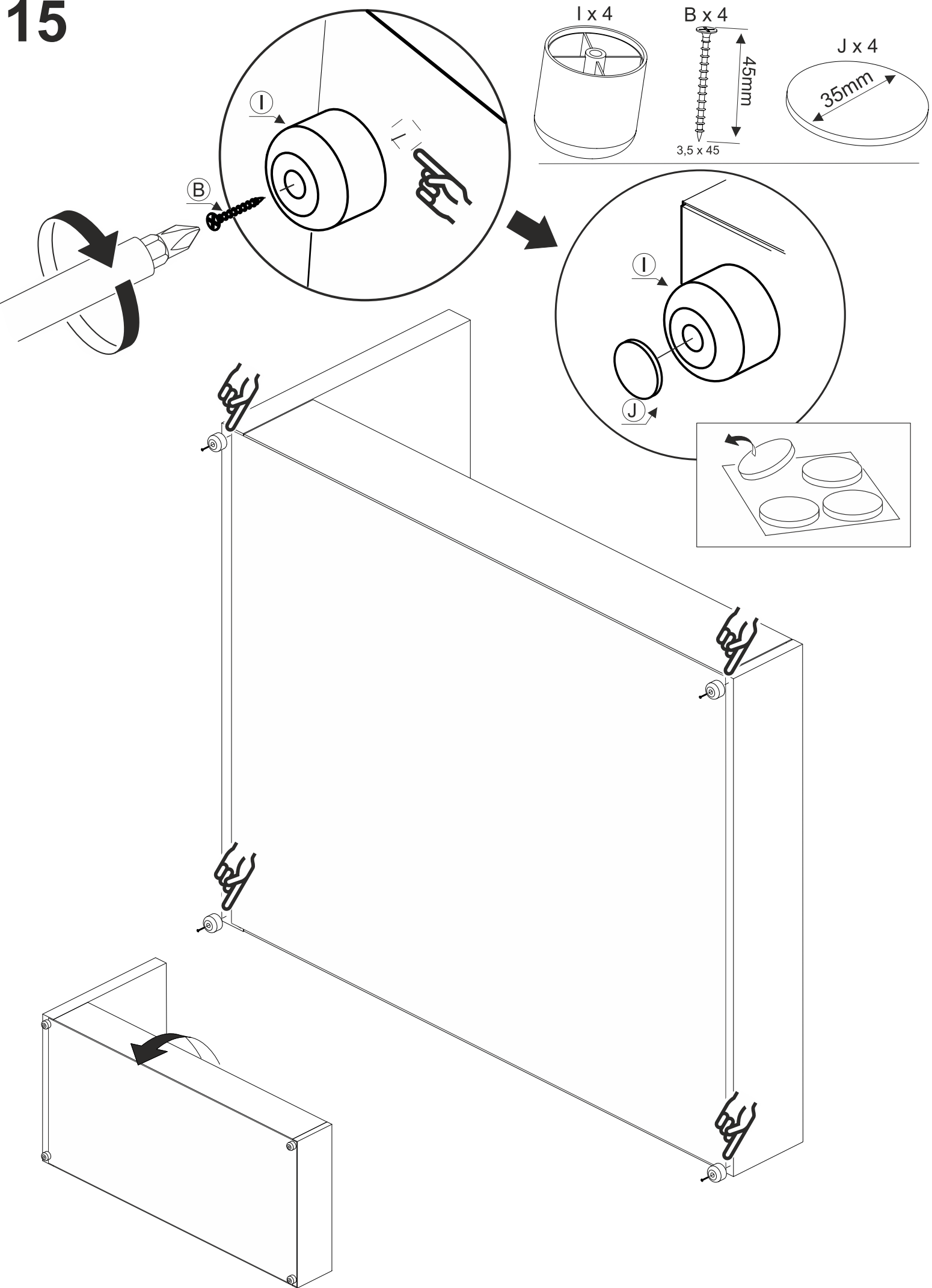
O x 10



14

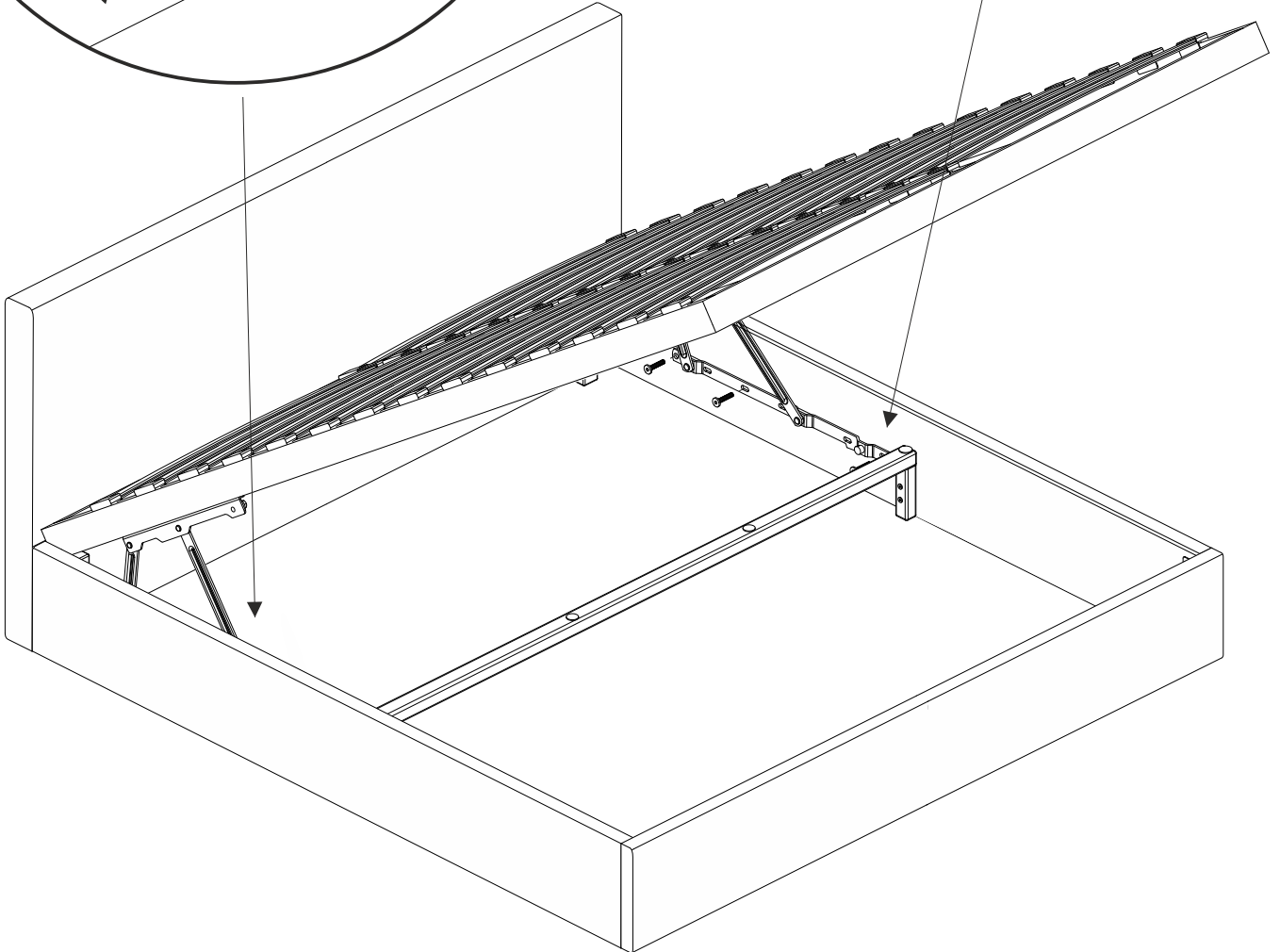
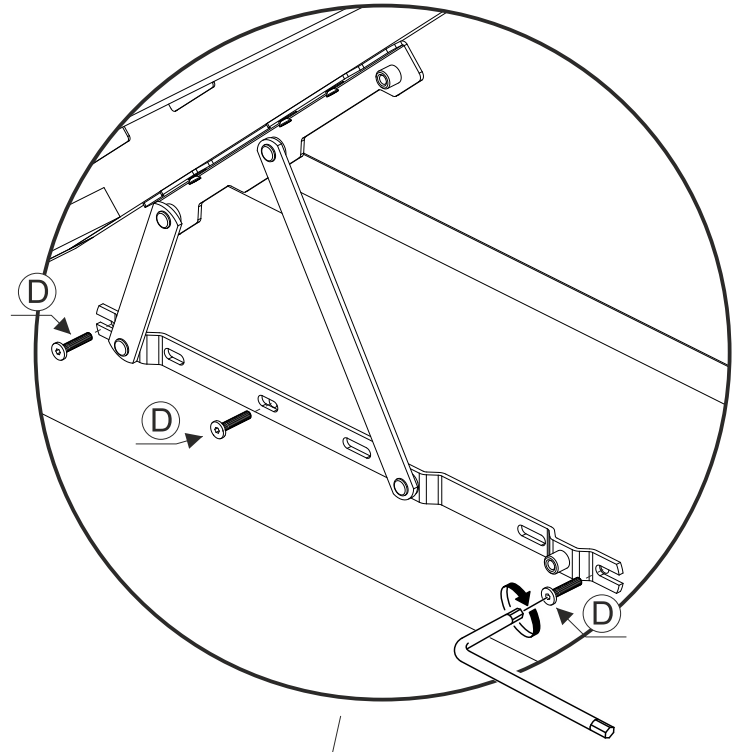
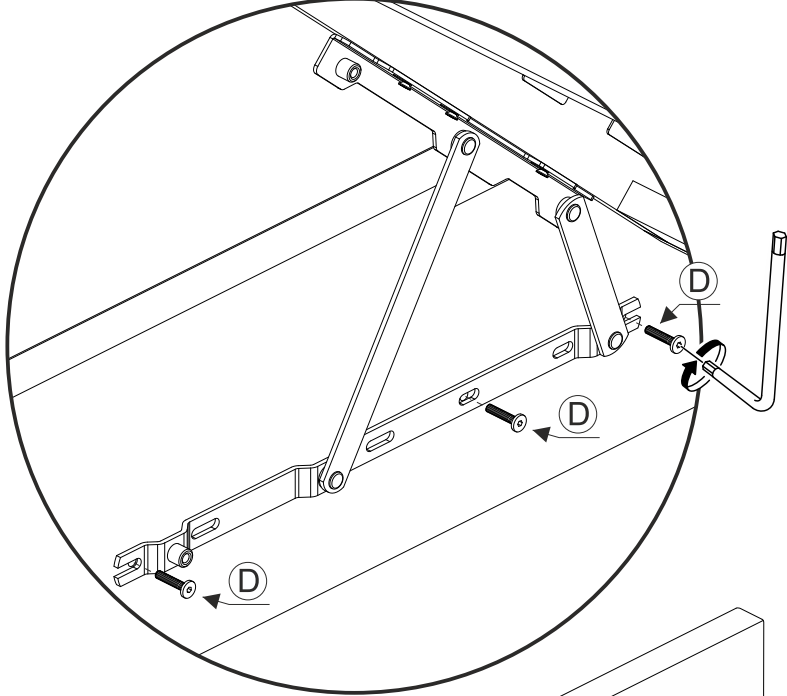
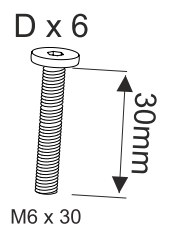
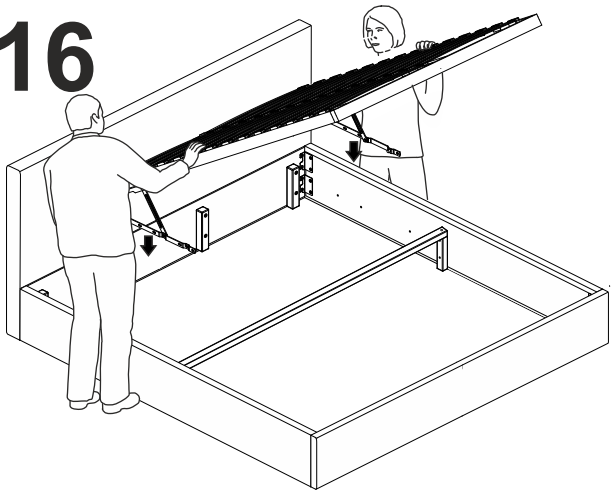


# 15





16



17

