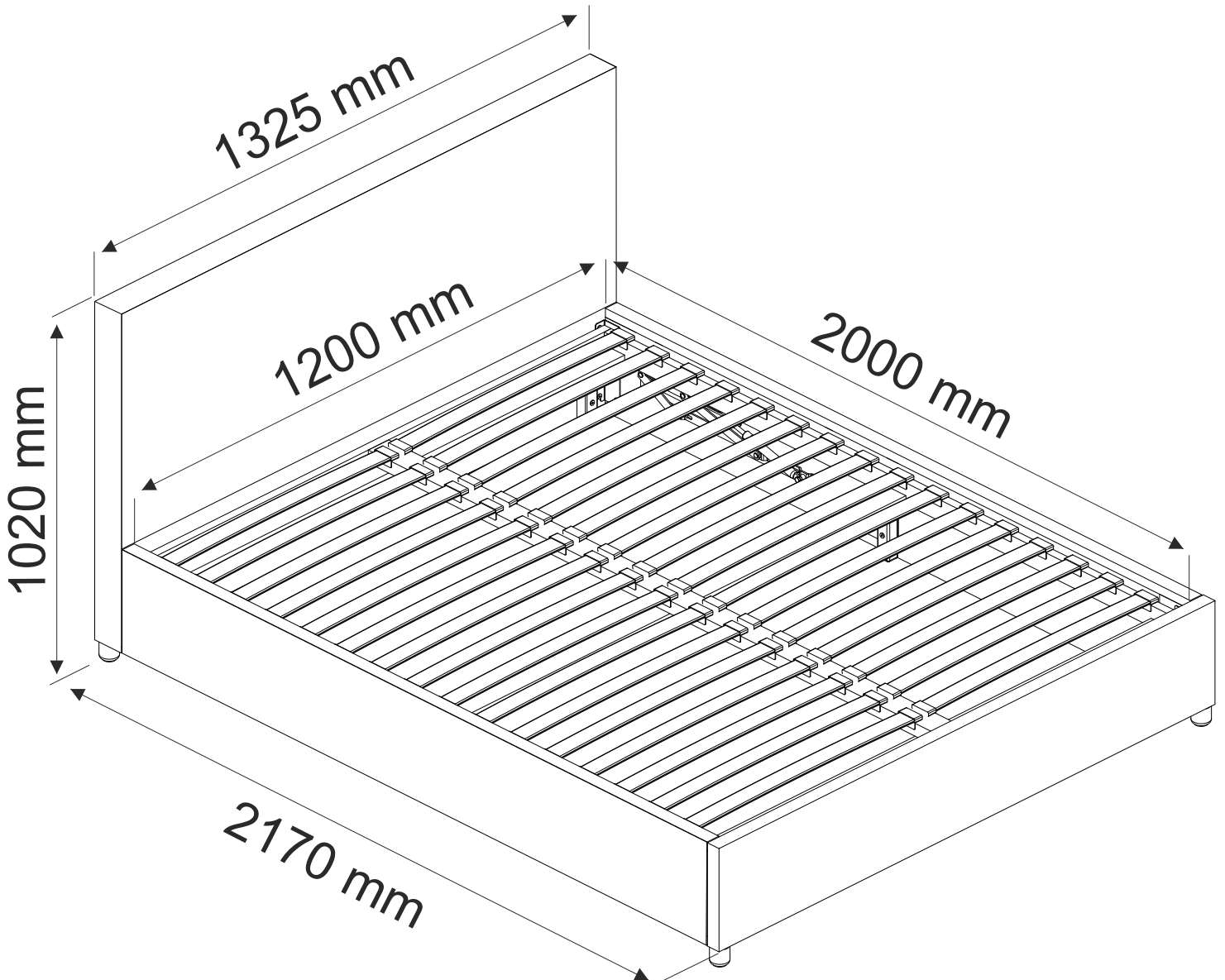
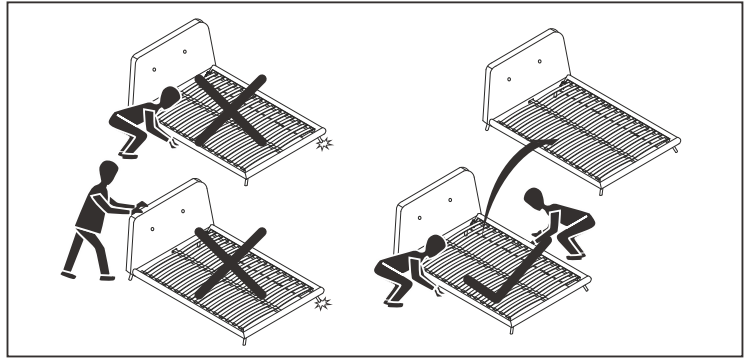
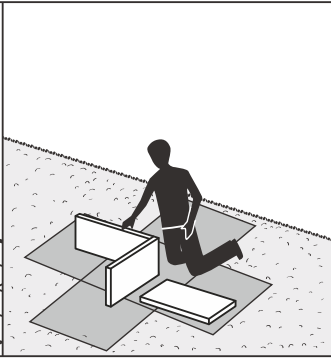
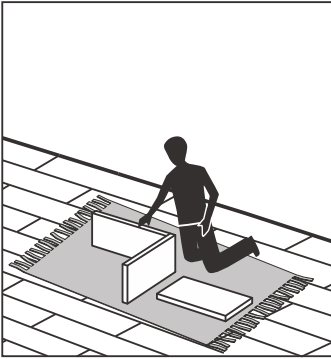
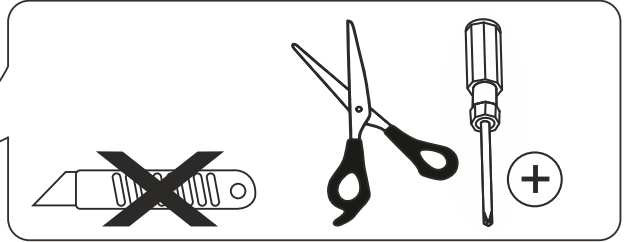
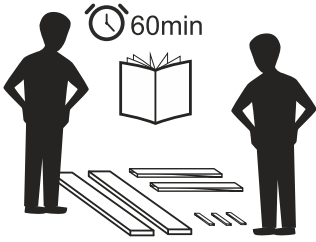
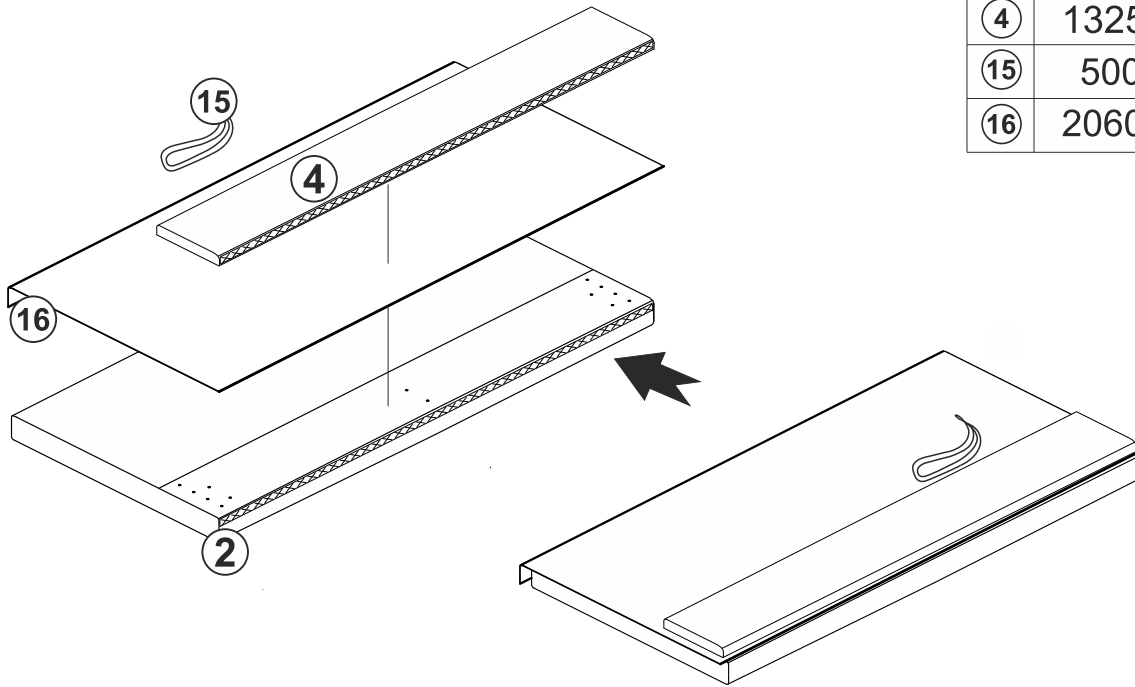


BILLY 120cm



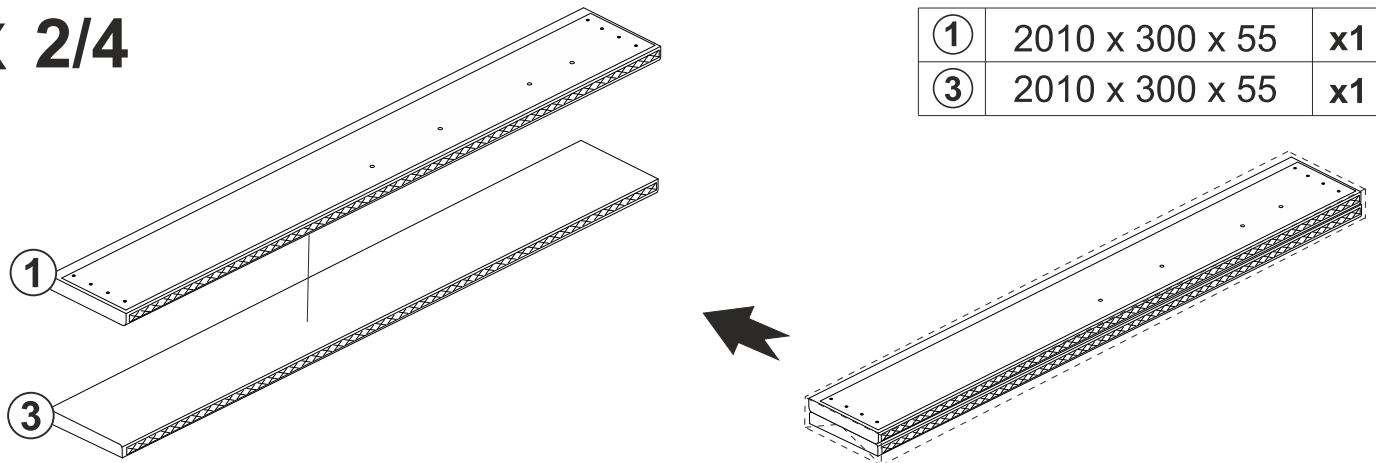
BOX 1/4

| | | |
|---|-------------------|----|
| ② | 1325 x 970 x 120 | x1 |
| ④ | 1325 x 300 x 55 | x1 |
| ⑮ | 500 x 25 x 3 | x1 |
| ⑯ | 2060 x 1270 x 0.5 | x1 |



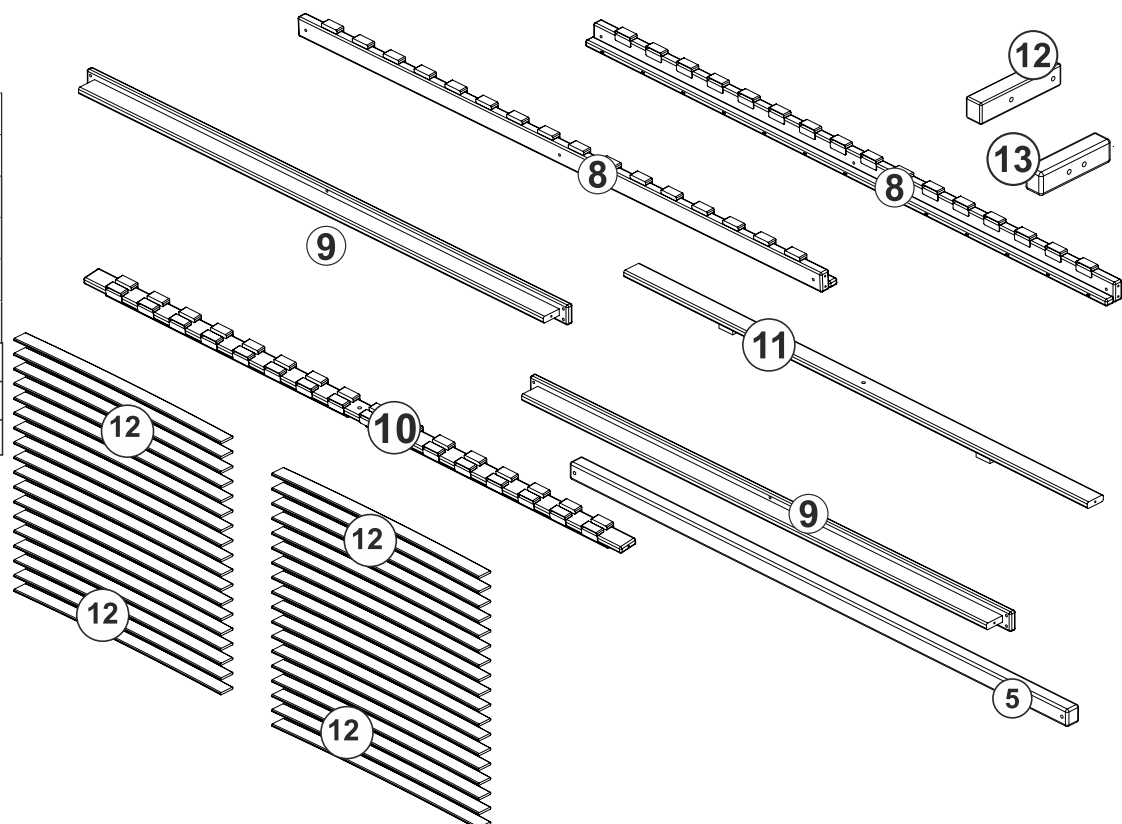
BOX 2/4

| | | |
|---|-----------------|----|
| ① | 2010 x 300 x 55 | x1 |
| ③ | 2010 x 300 x 55 | x1 |

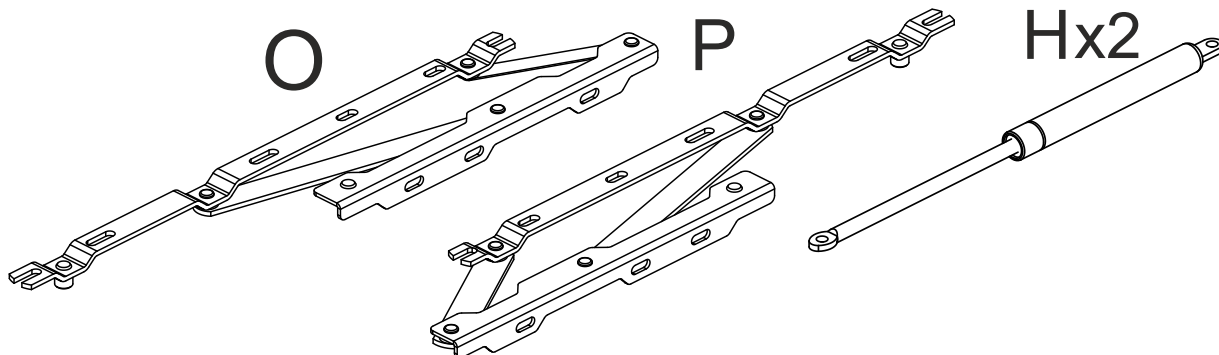
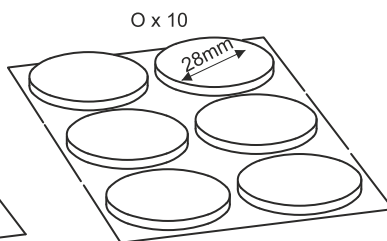
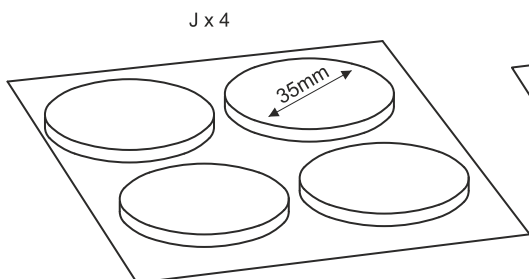
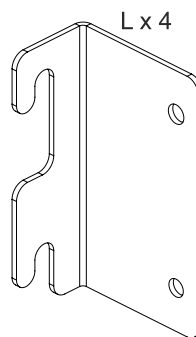
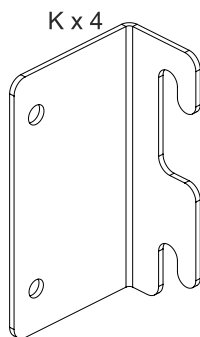
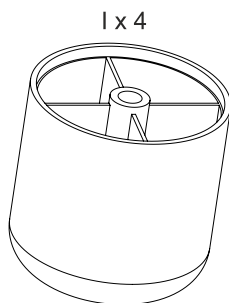
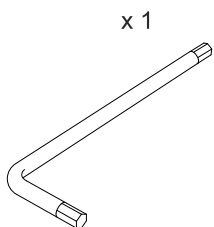
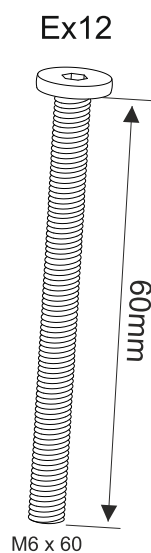
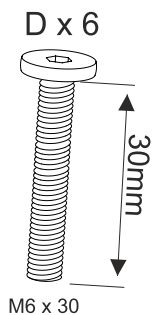
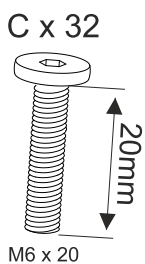
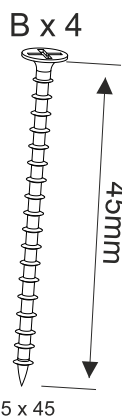
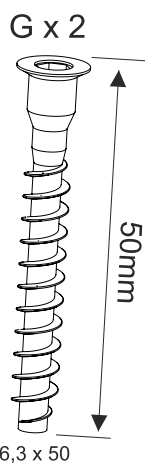
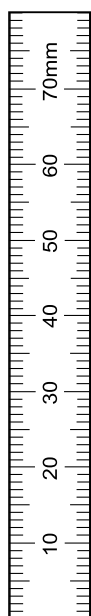


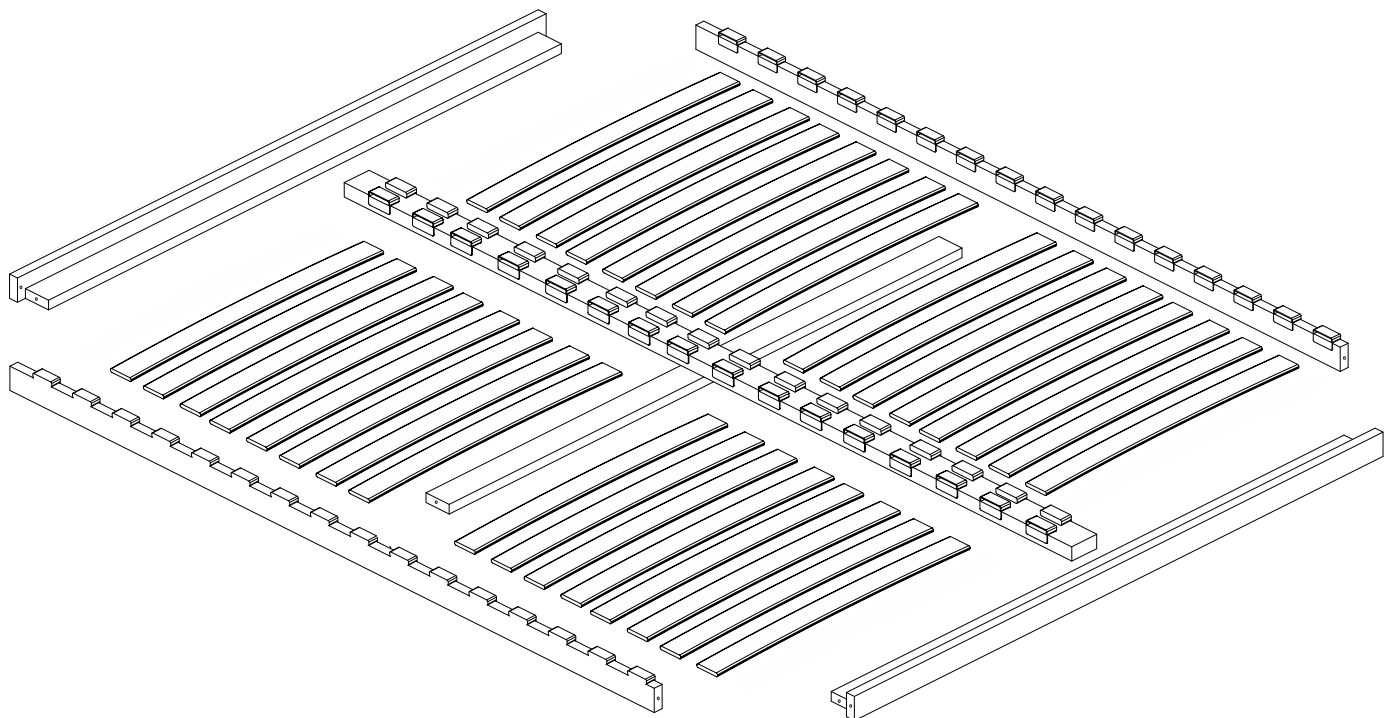
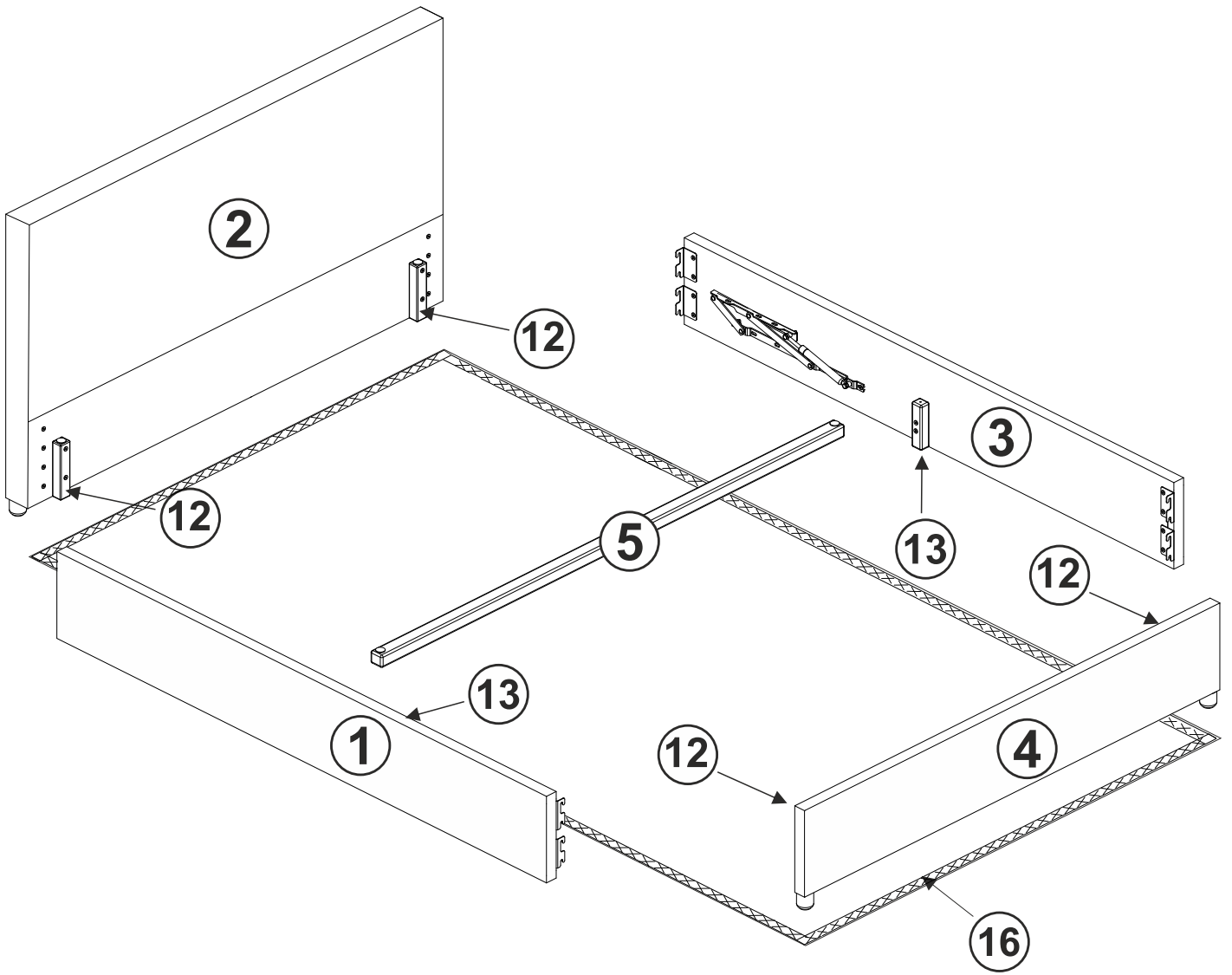
BOX 3/4

| No | ↕ | ↕ | ↕ | PCS |
|----|------|----|----|-----|
| ⑫ | 575 | 53 | 8 | x32 |
| ⑪ | 1134 | 60 | 20 | x1 |
| ⑩ | 1950 | 60 | 52 | x1 |
| ⑨ | 1194 | 60 | 80 | x2 |
| ⑧ | 1950 | 73 | 60 | x2 |
| ⑬ | 150 | 40 | 35 | x2 |
| ⑫ | 185 | 40 | 35 | x4 |
| ⑤ | 1215 | 40 | 35 | x1 |

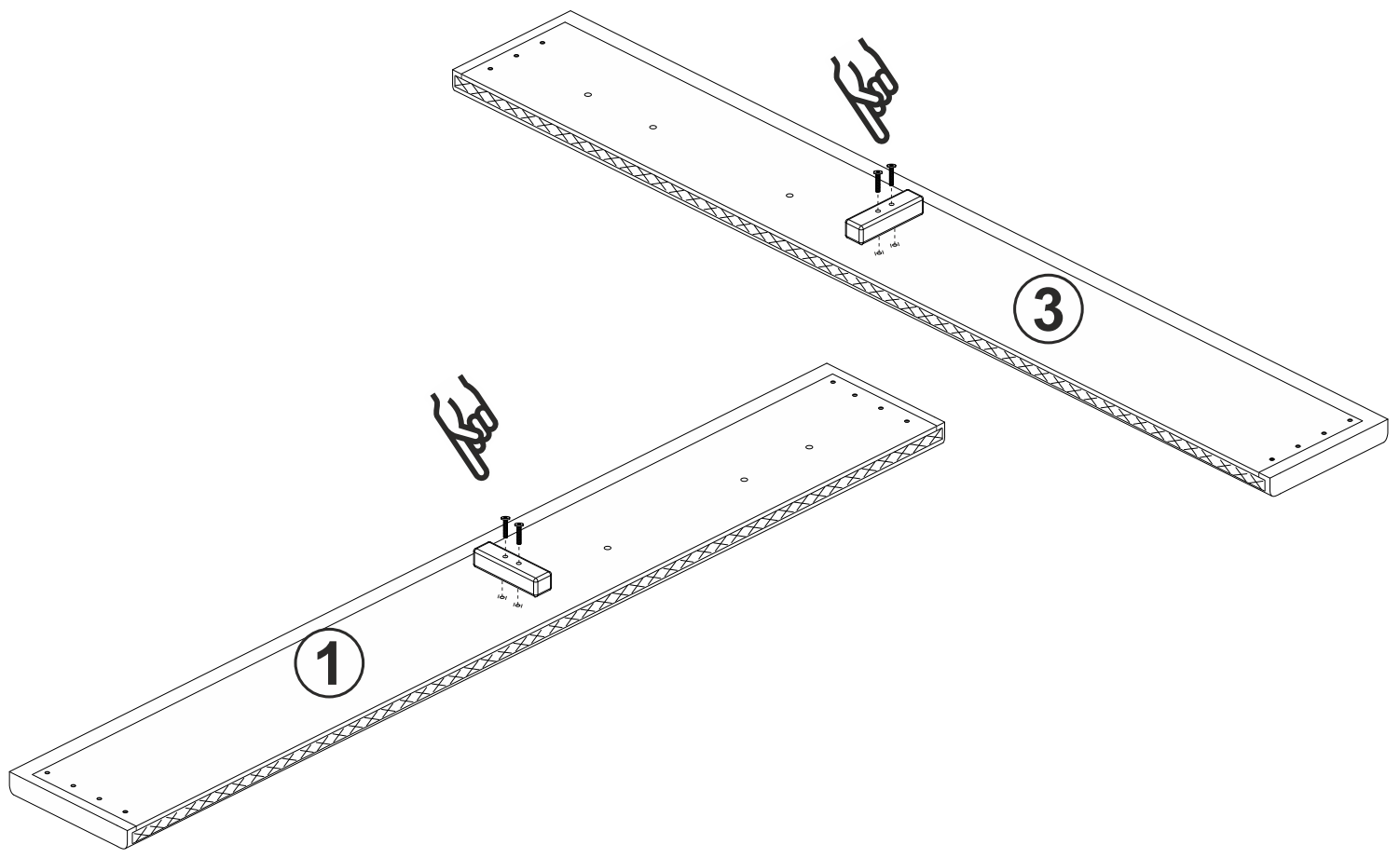
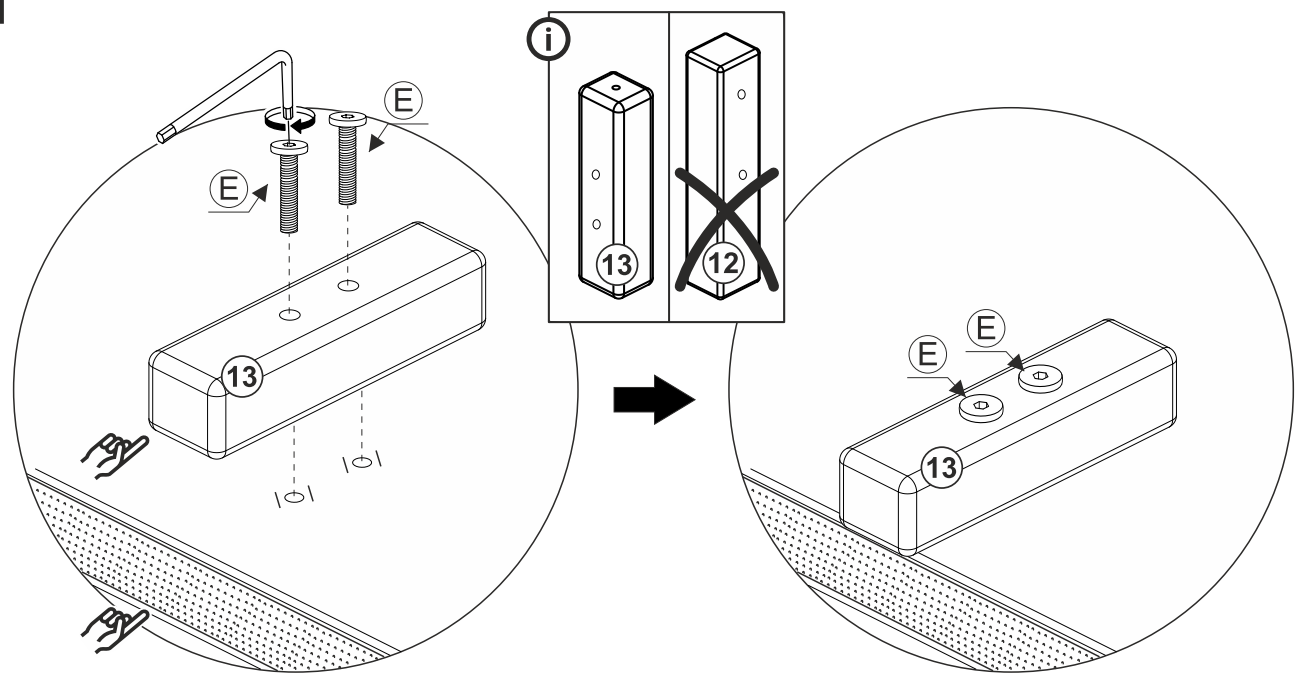


BOX 4/4

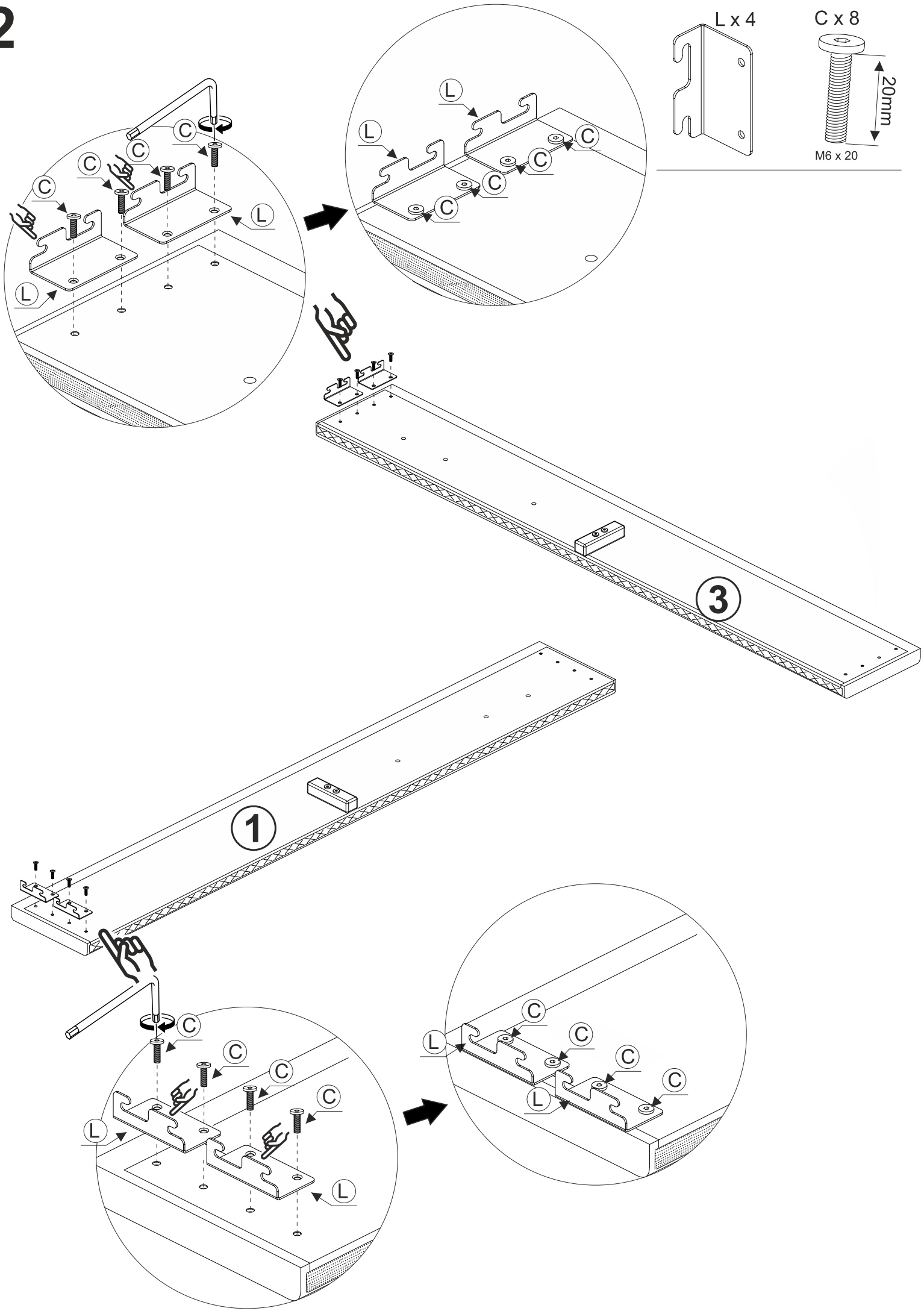




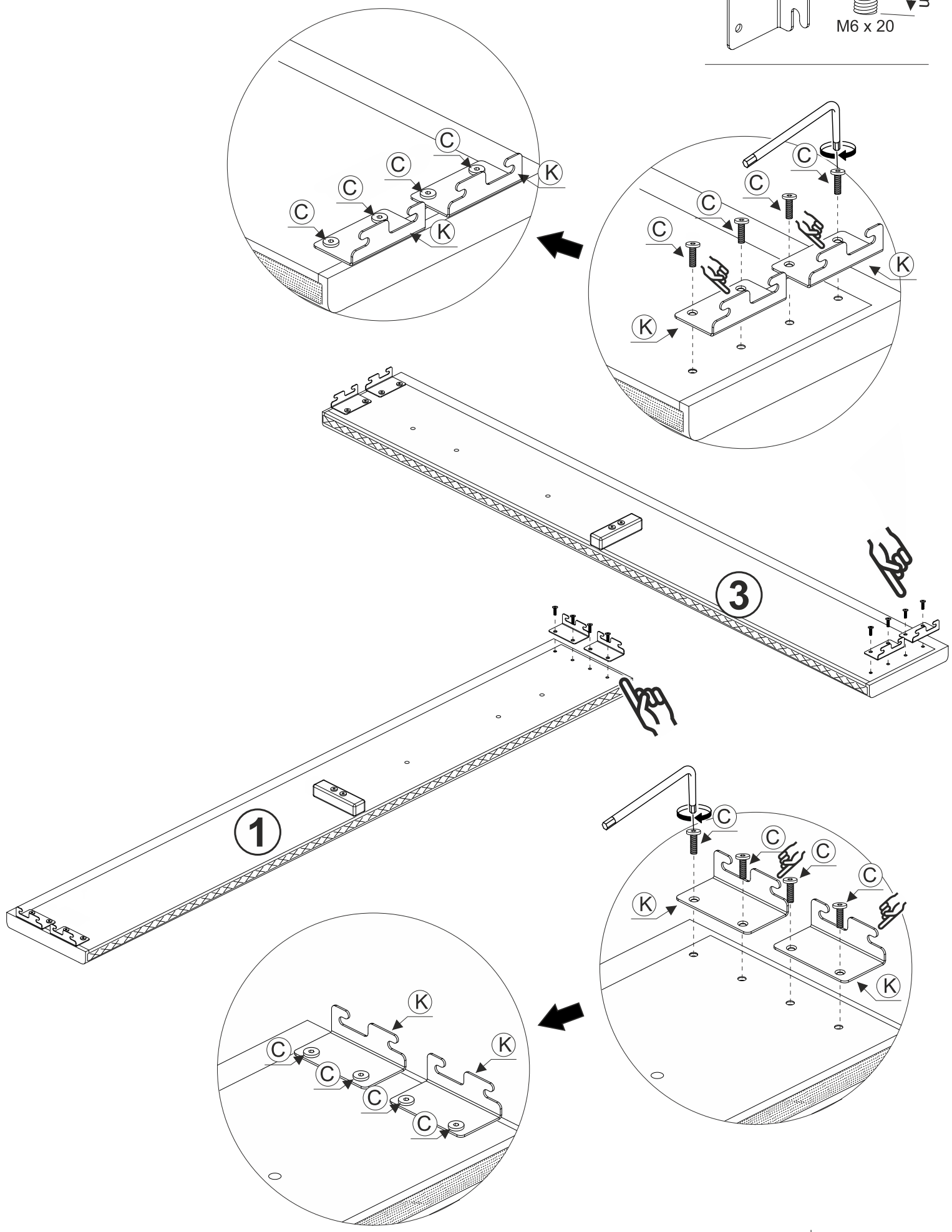
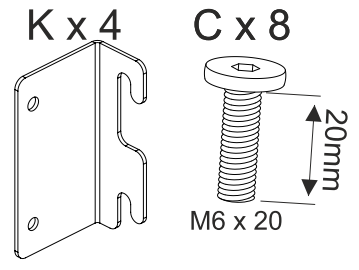
1



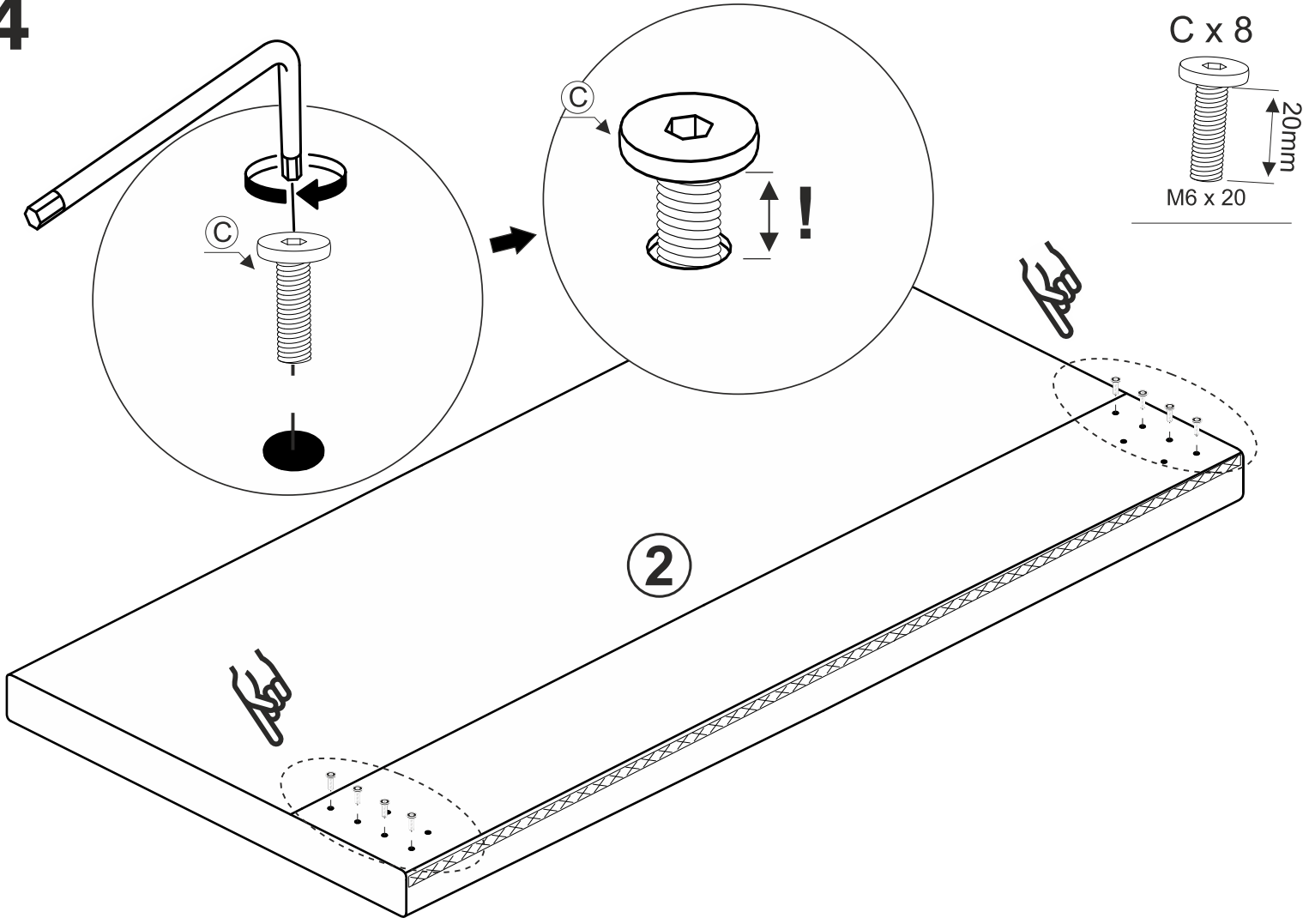
2



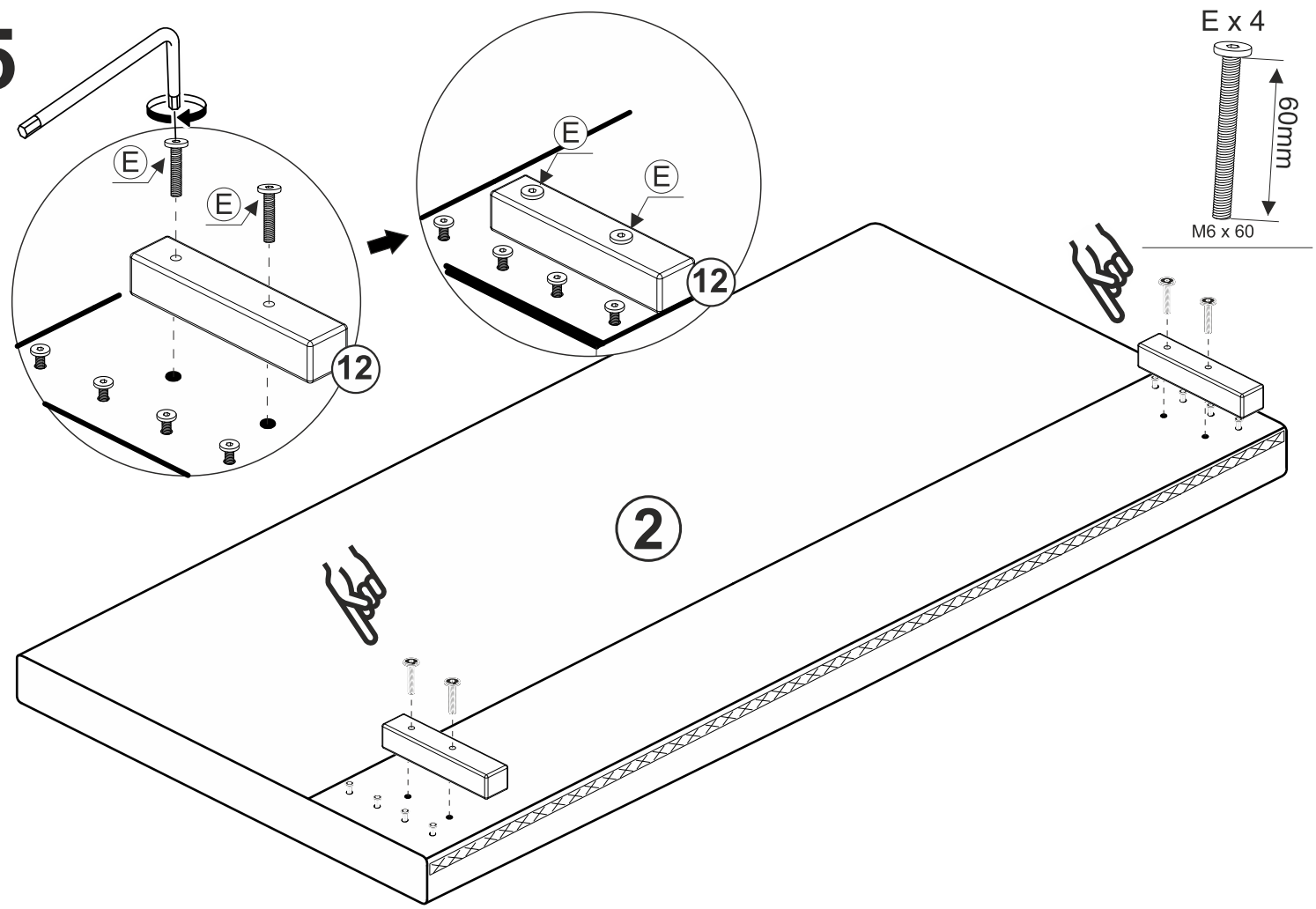
3



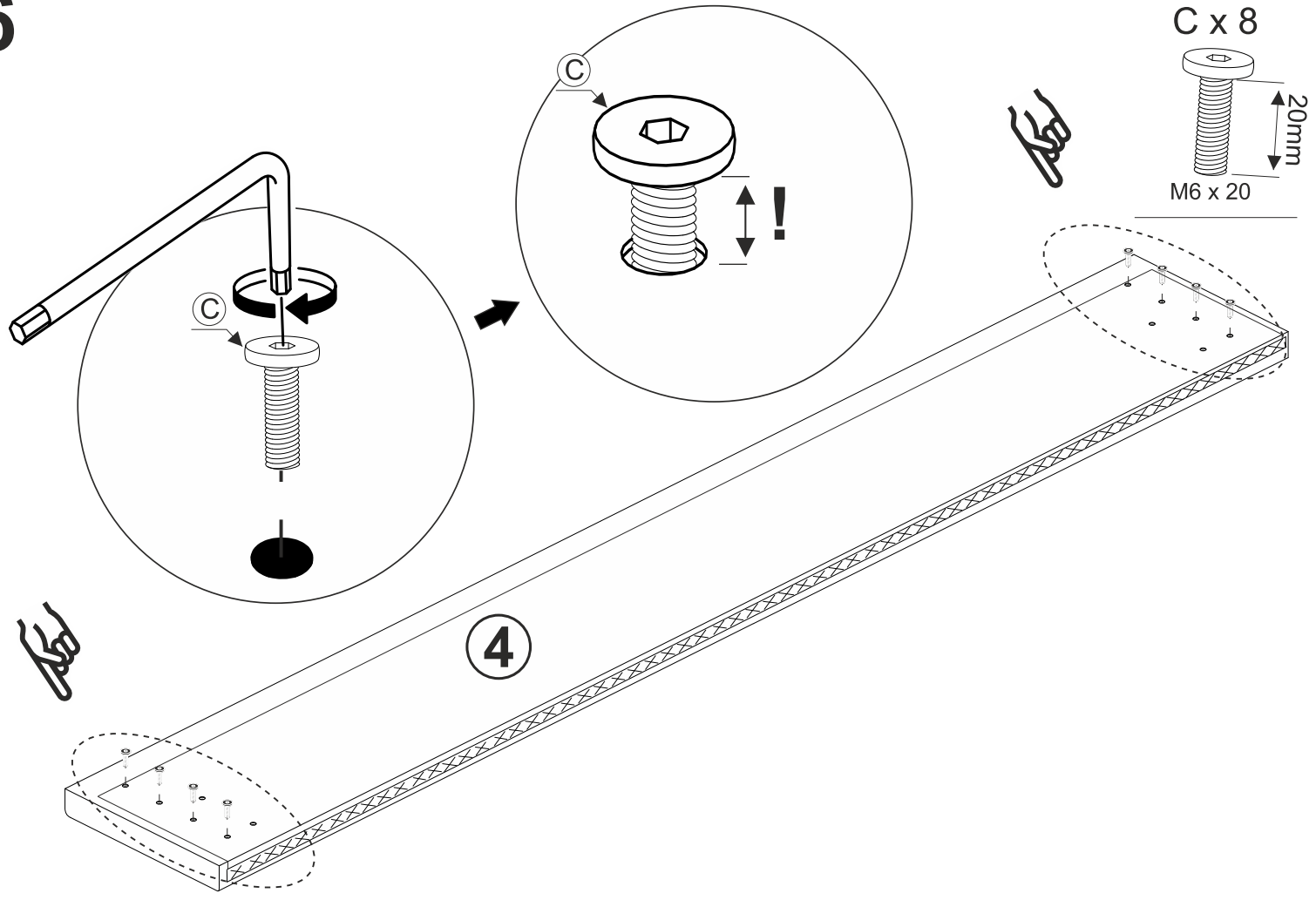
4



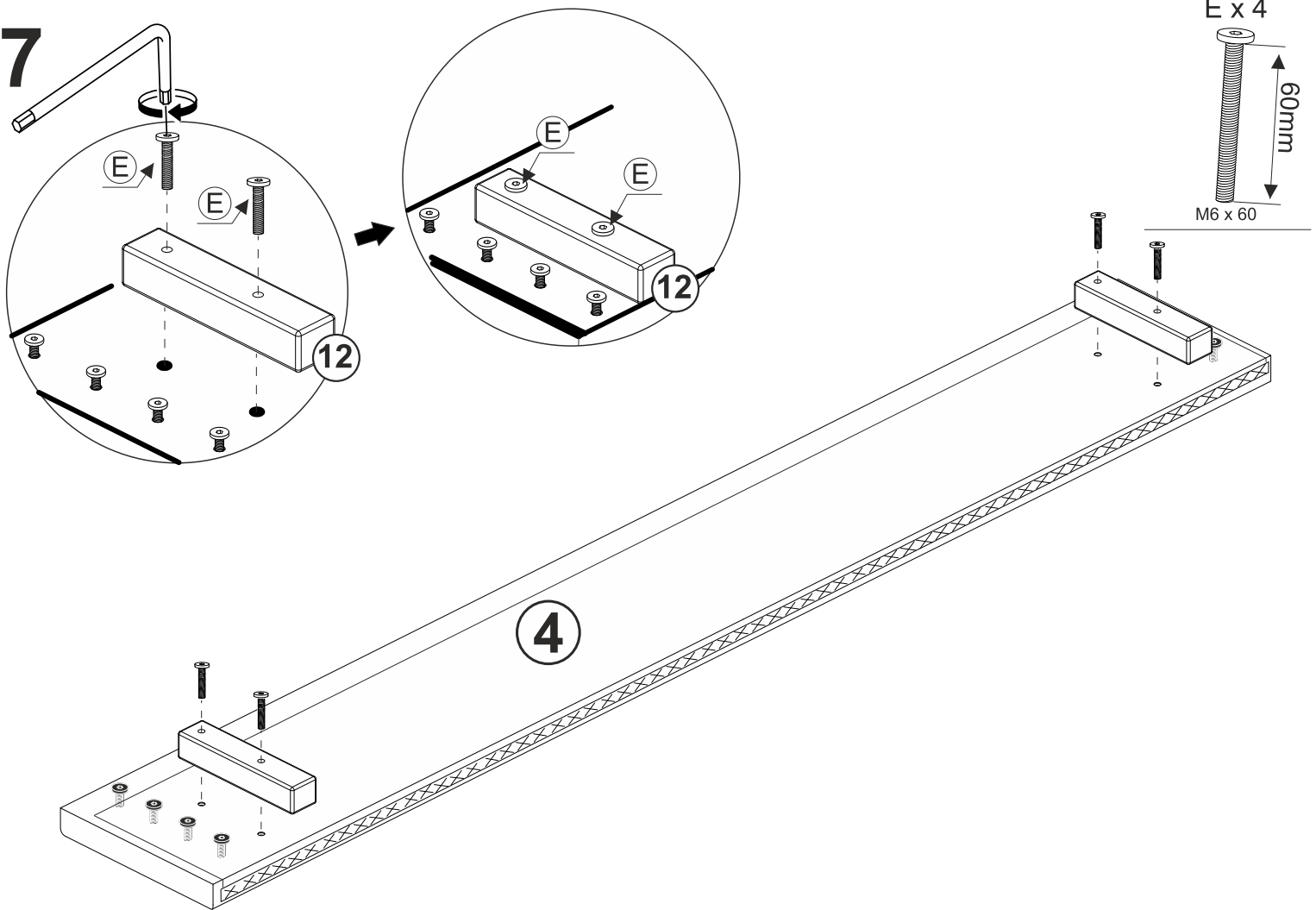
5



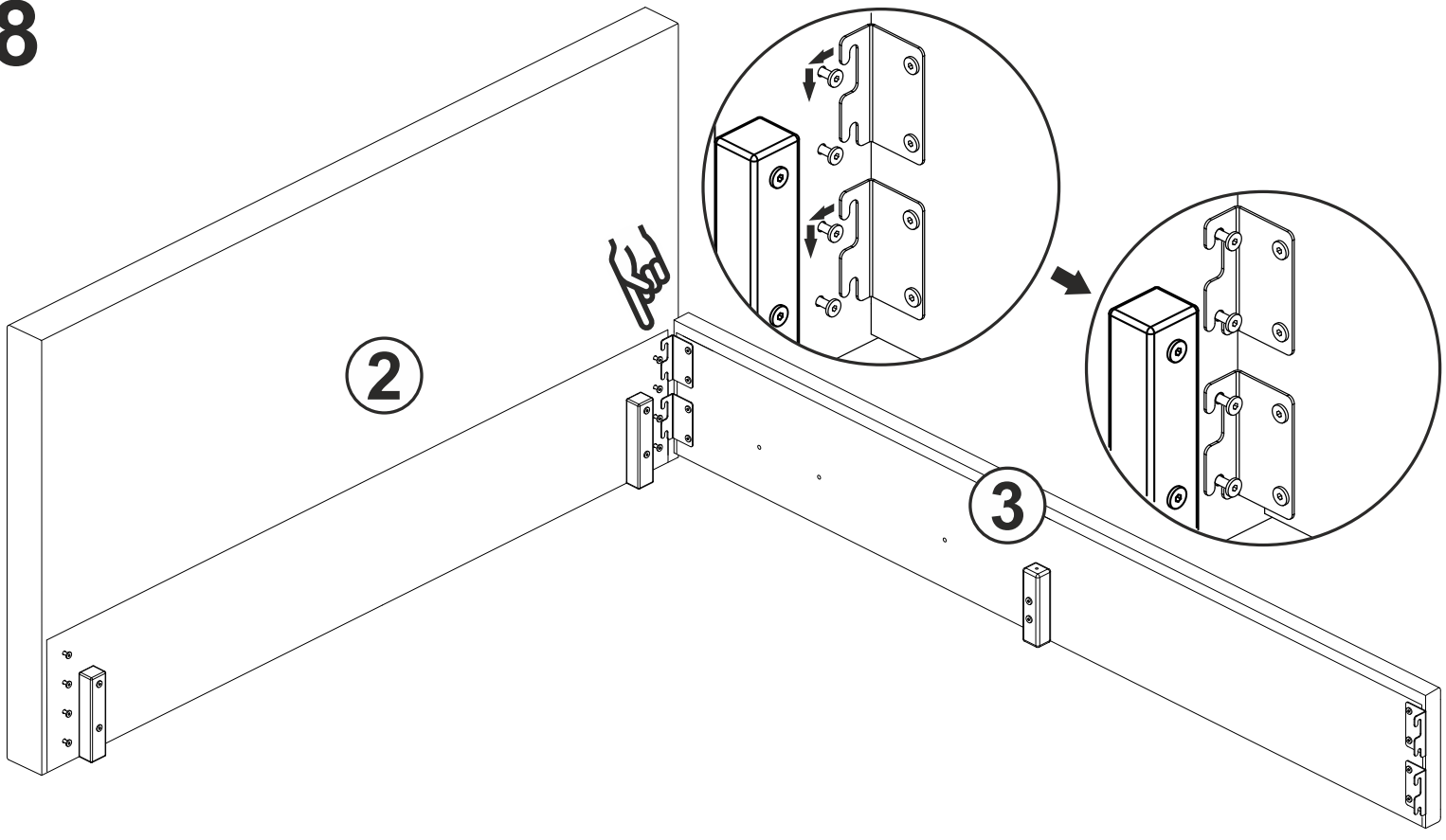
6



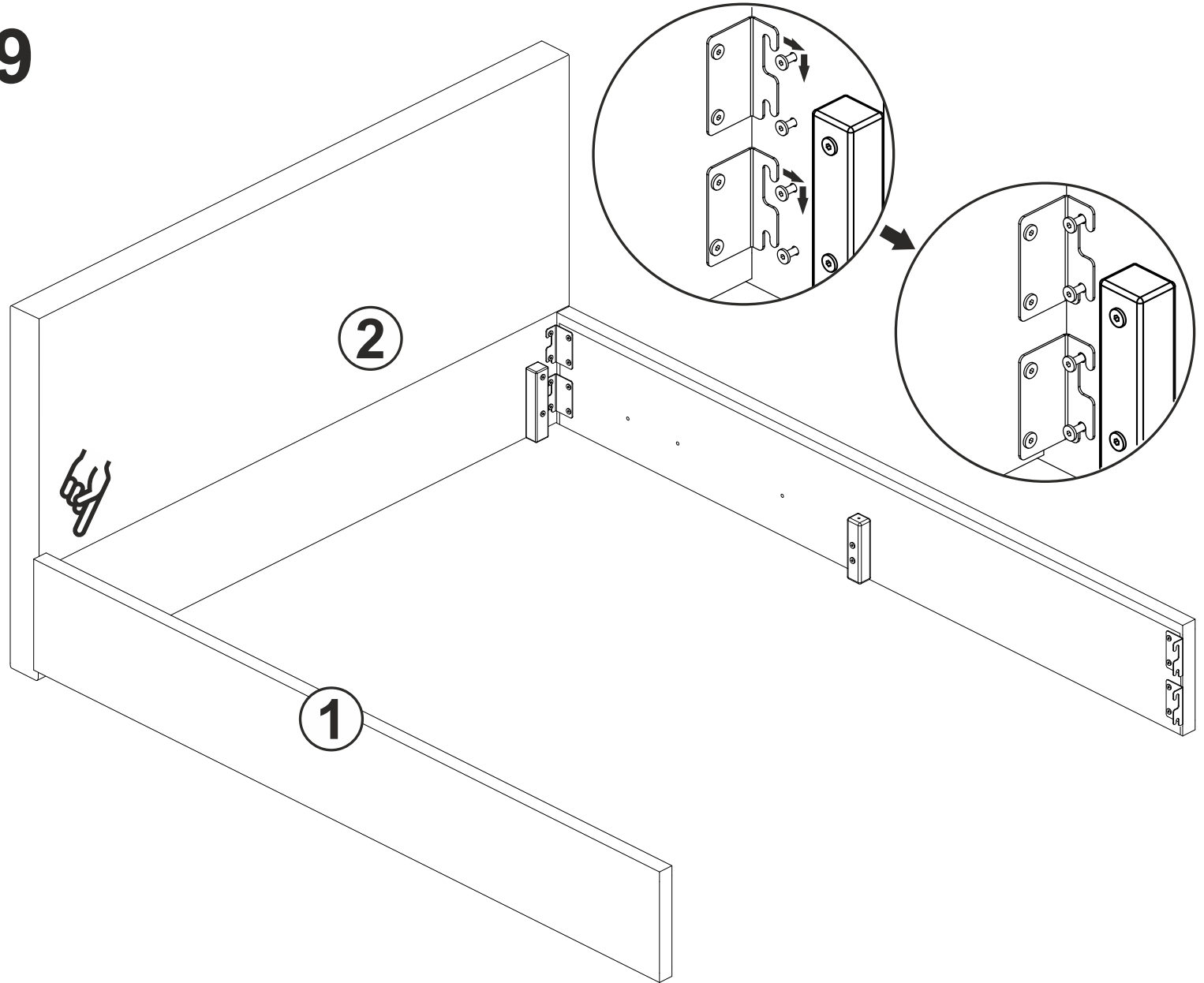
7



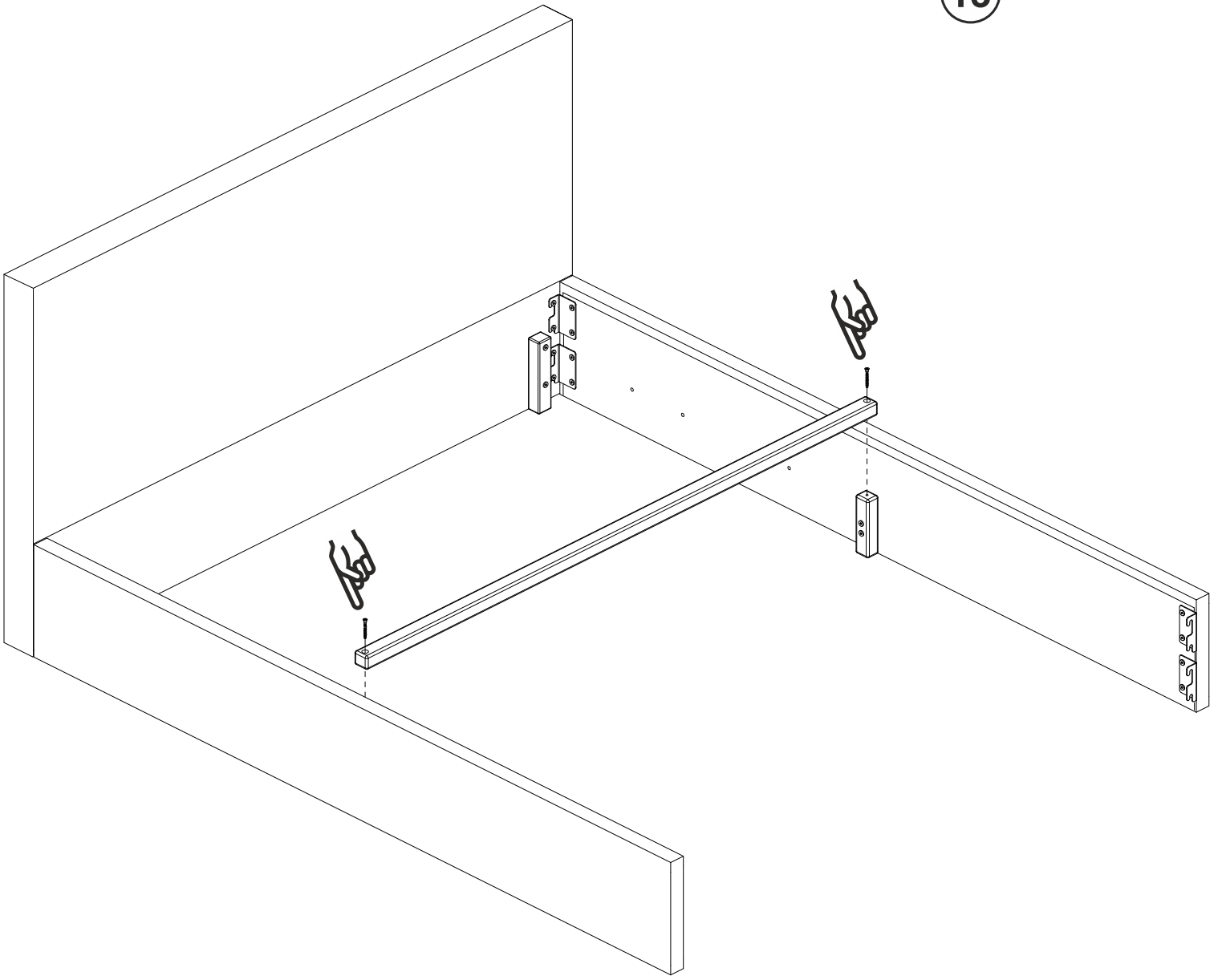
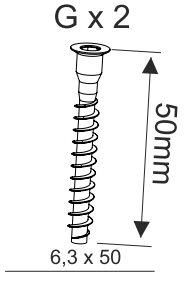
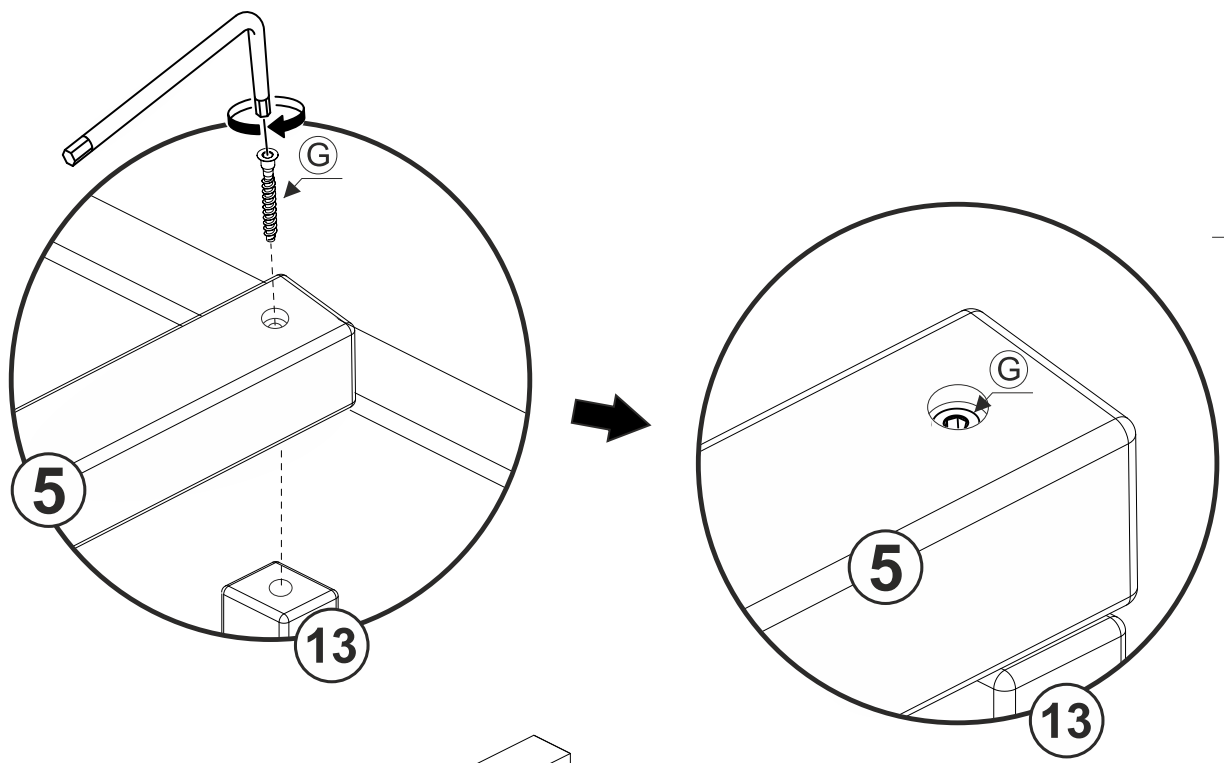
8

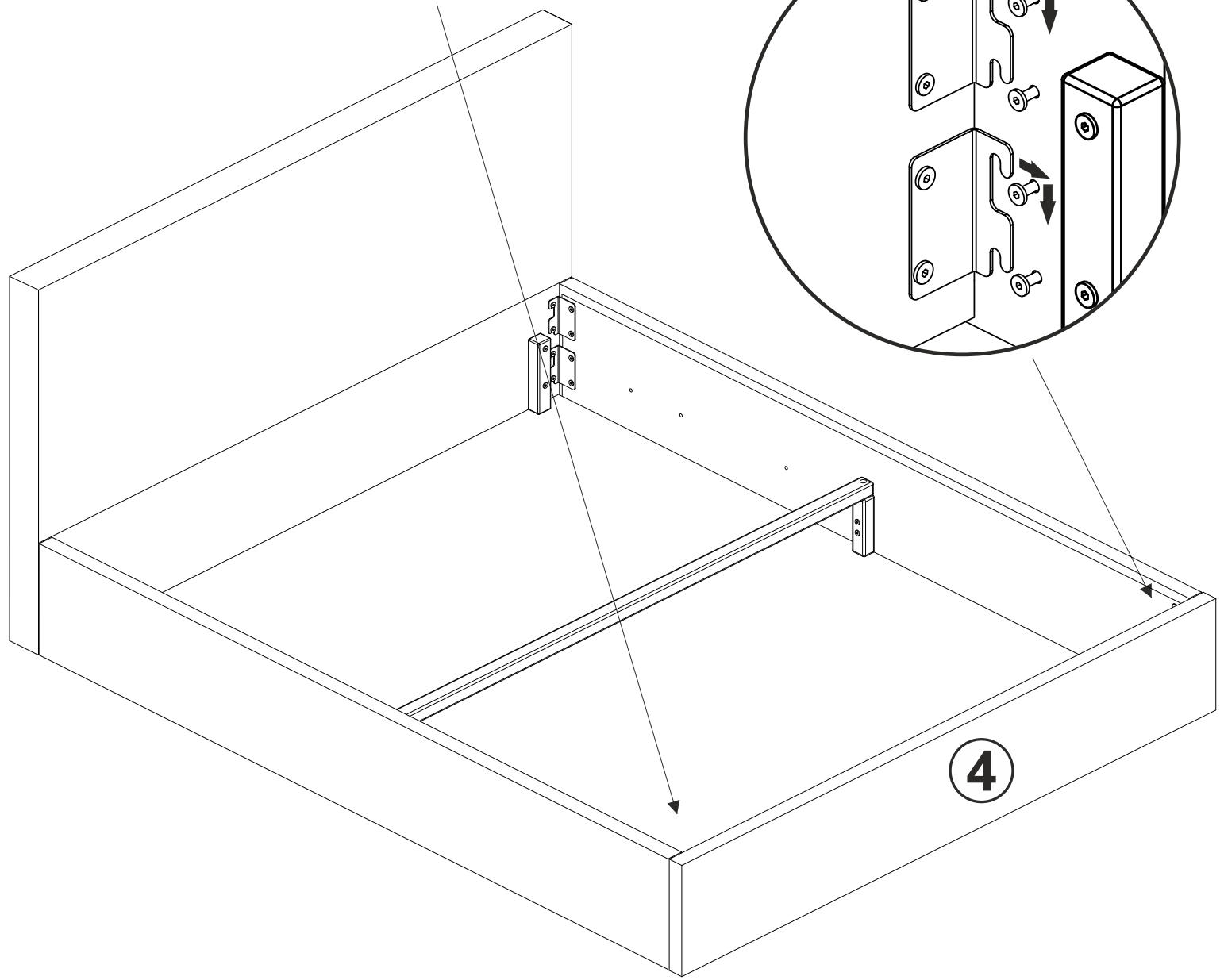
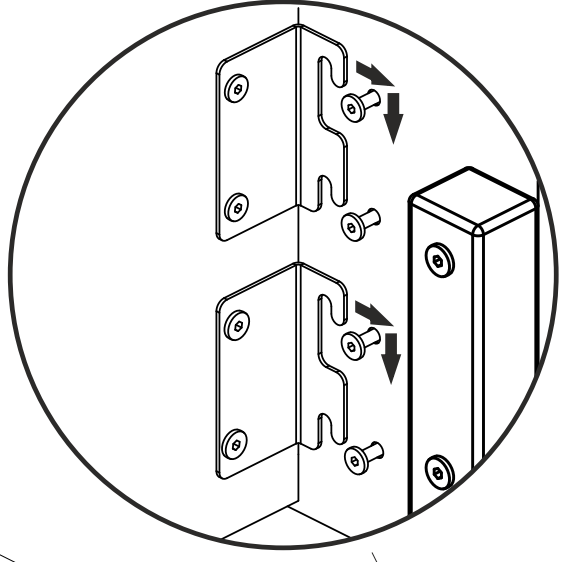
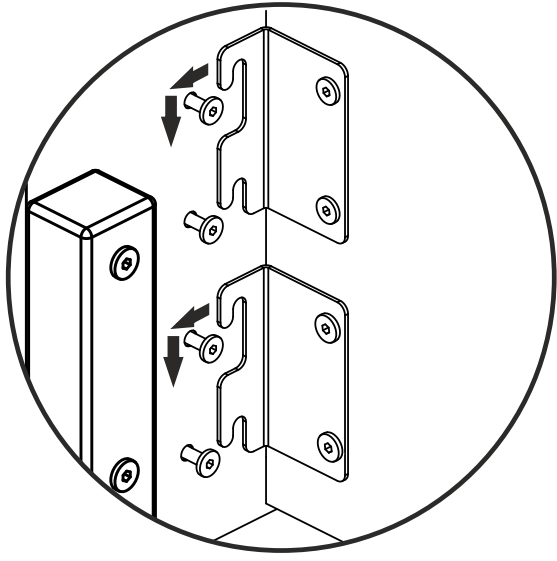


9



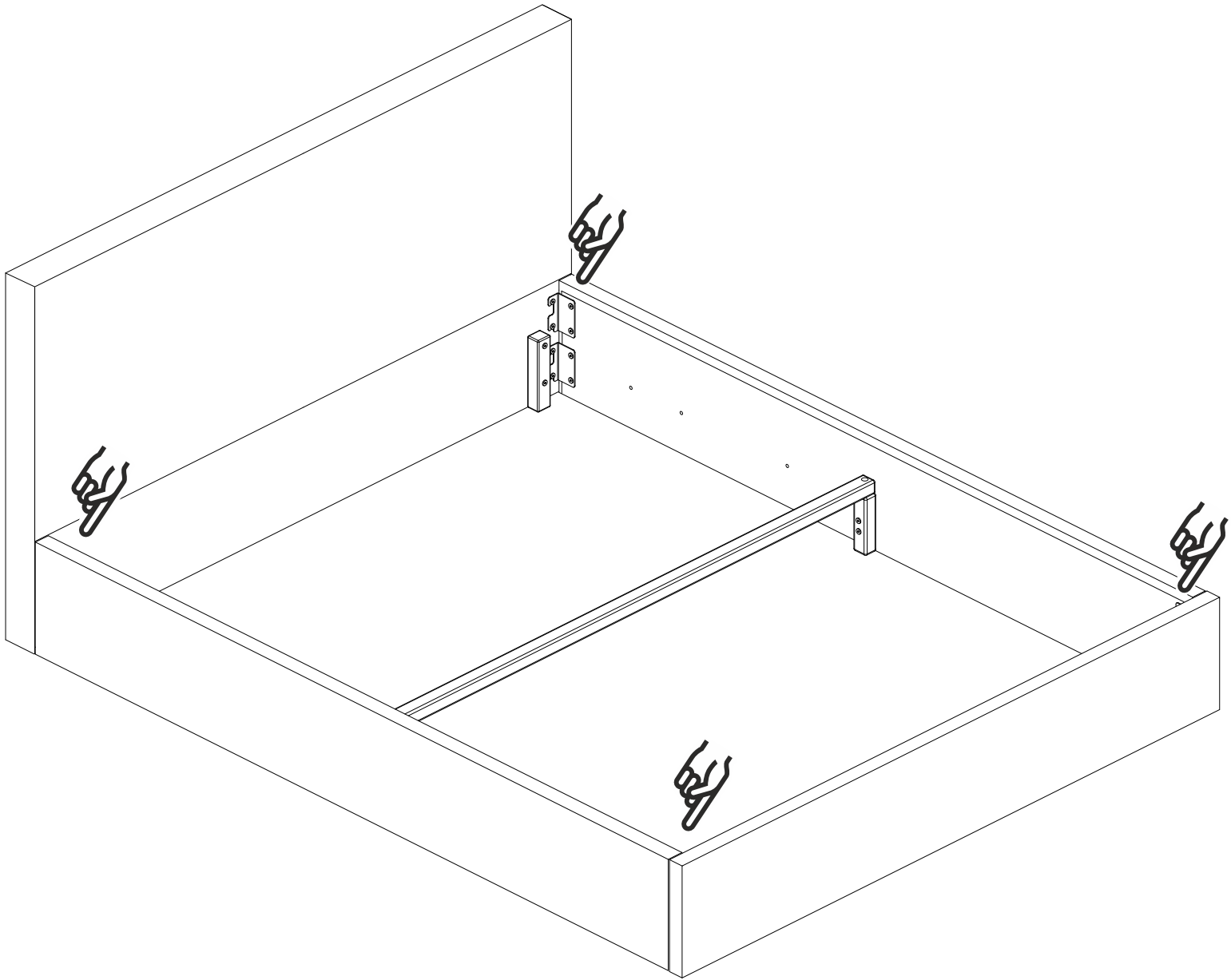
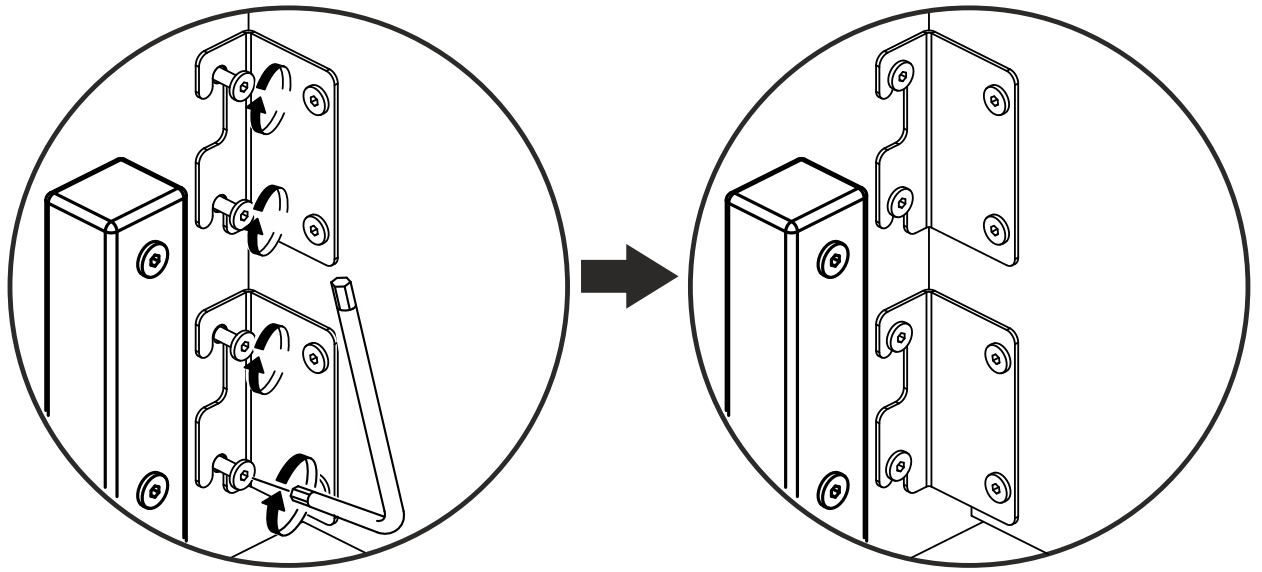
10





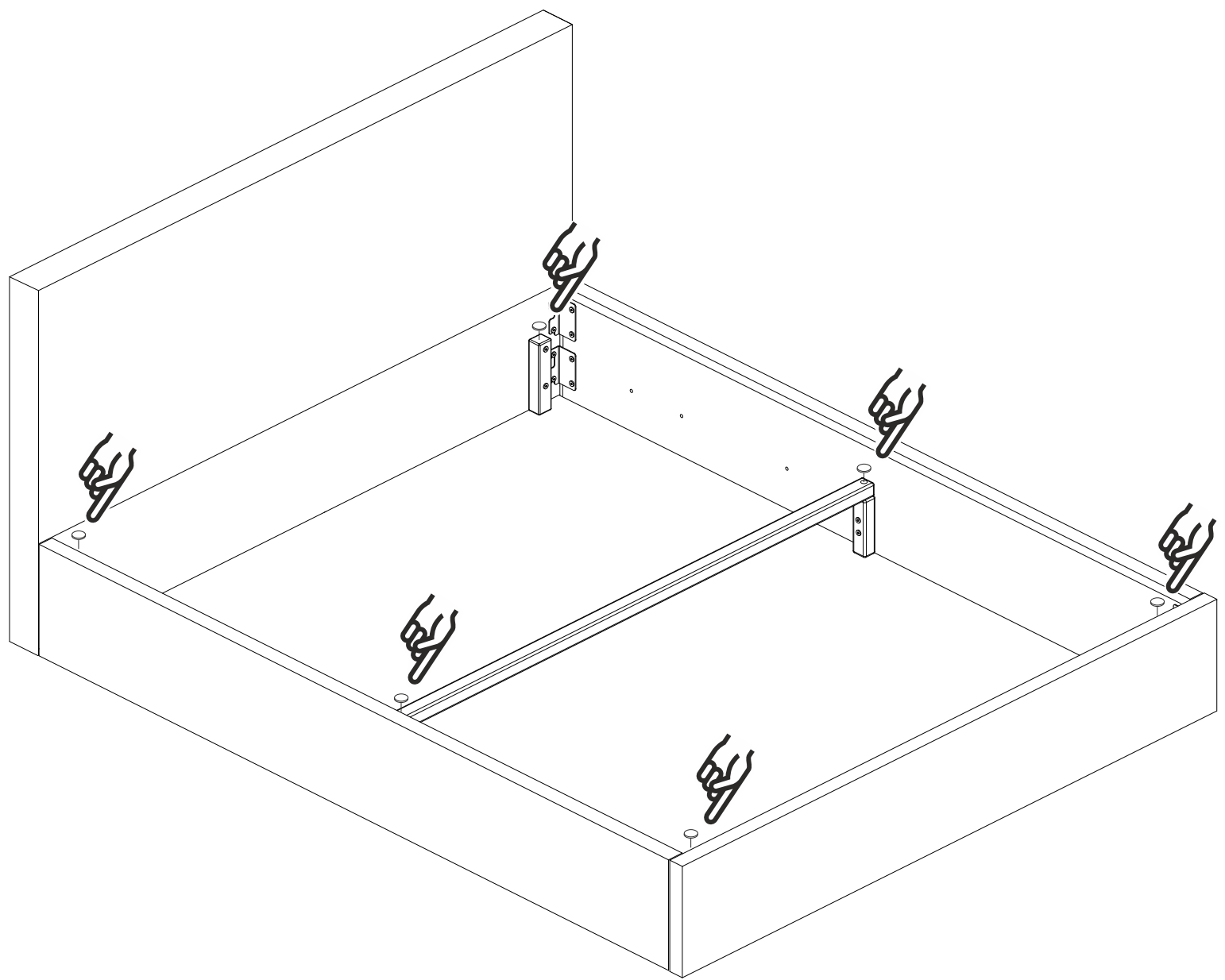
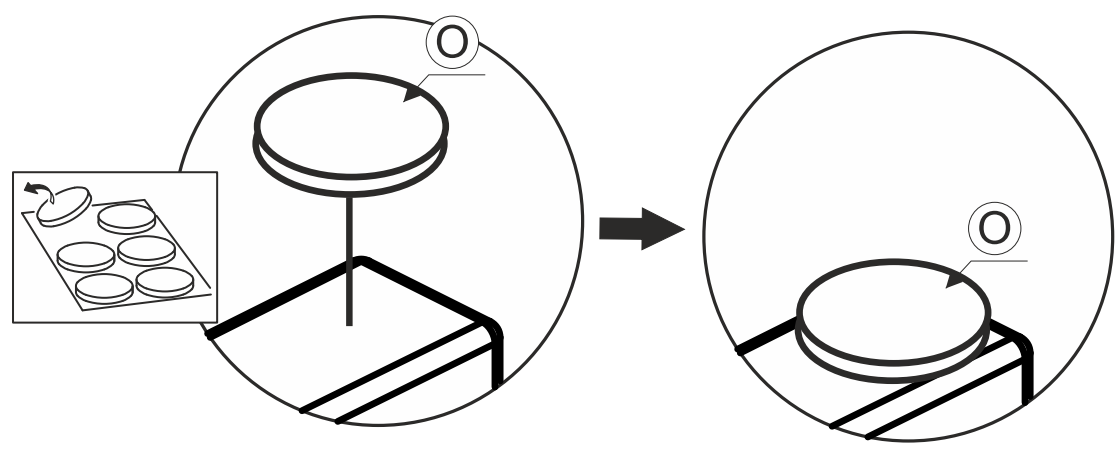
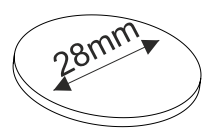
4

12

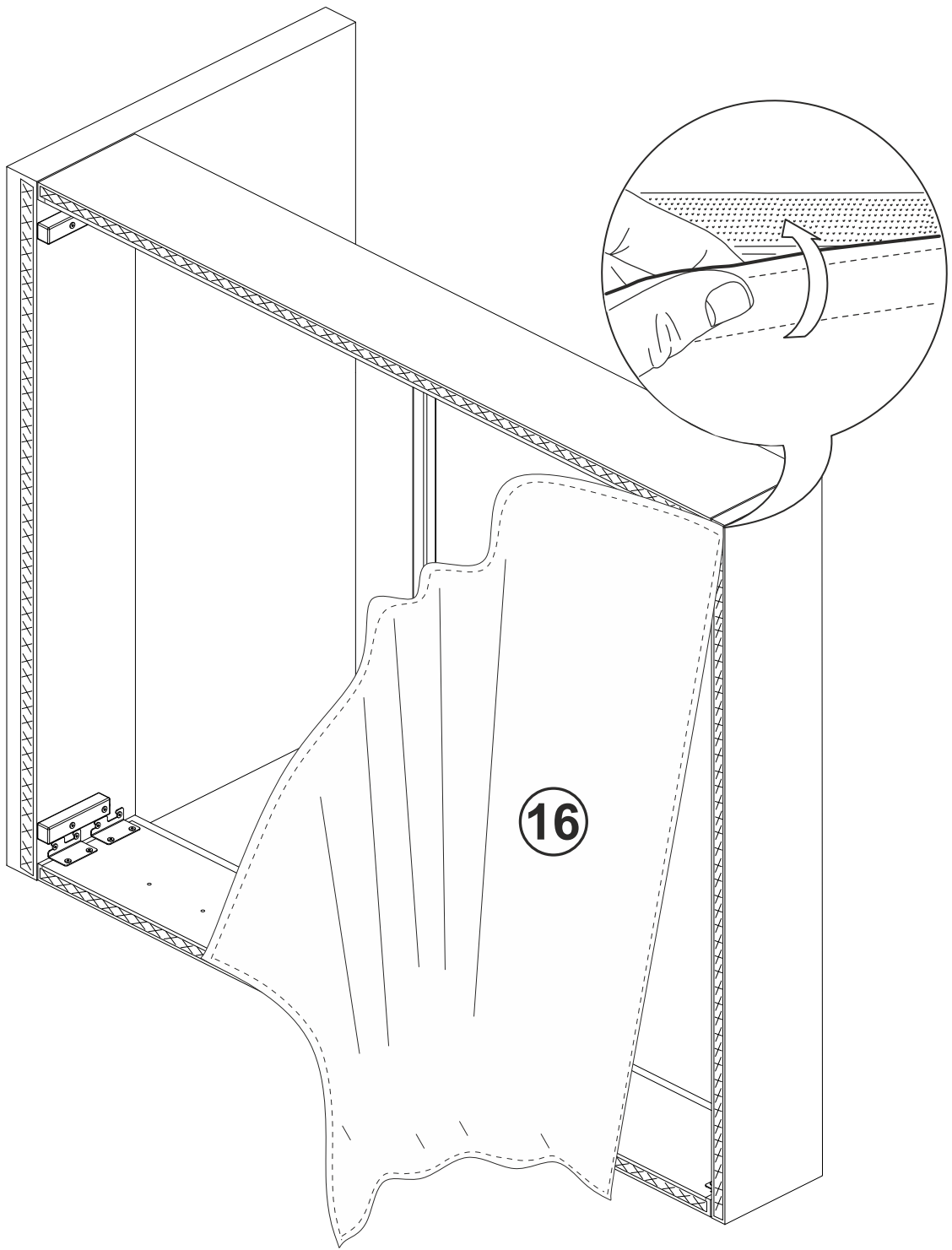
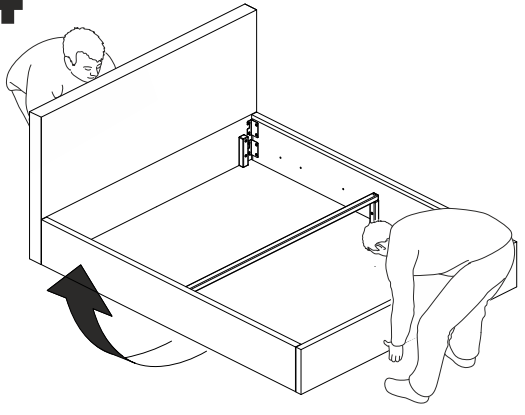


13

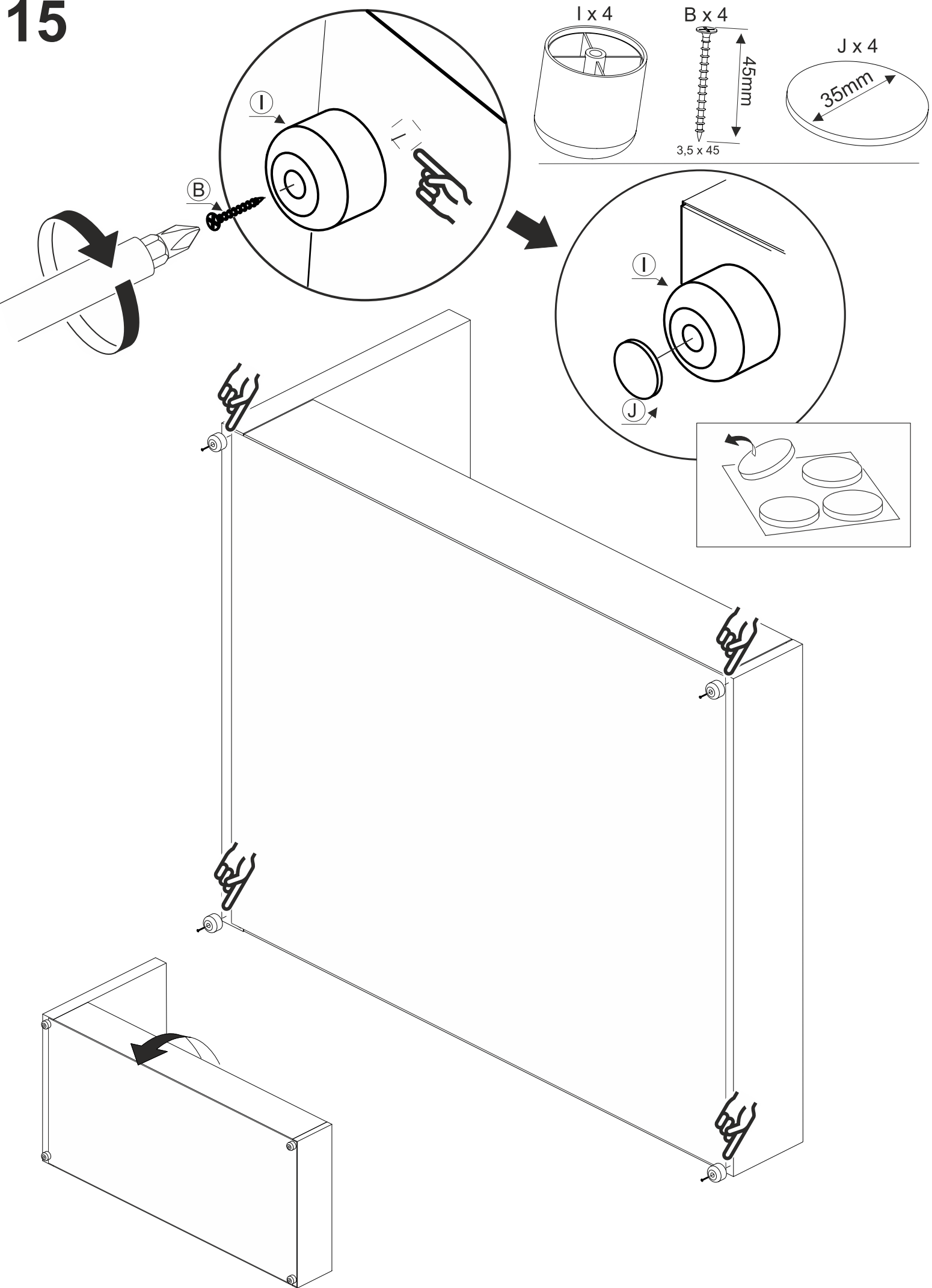
O x 6



14



15



16

