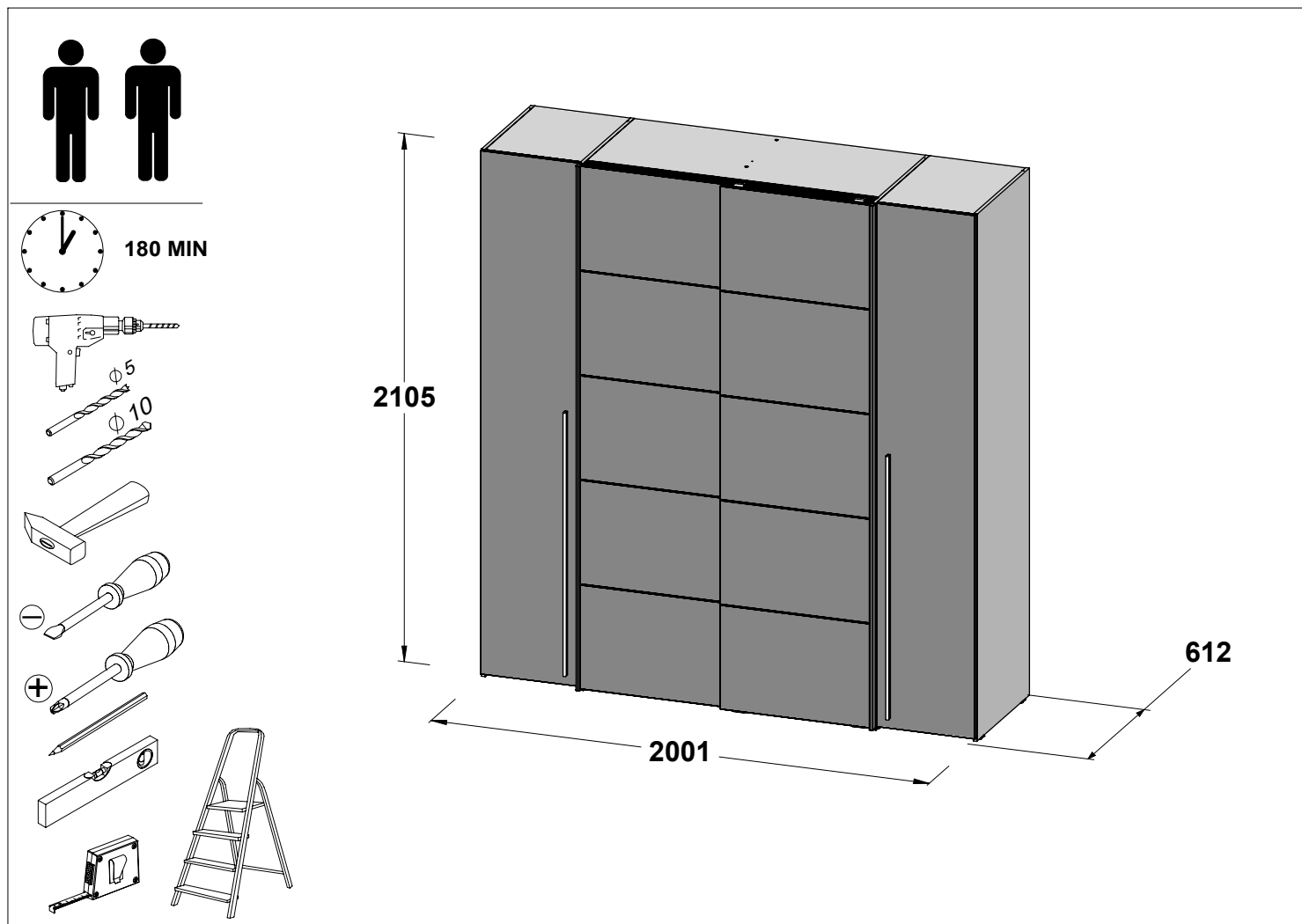


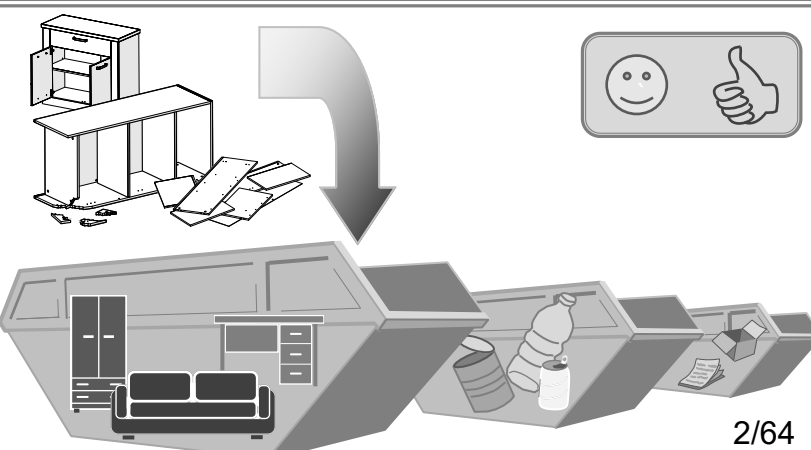
318-000008

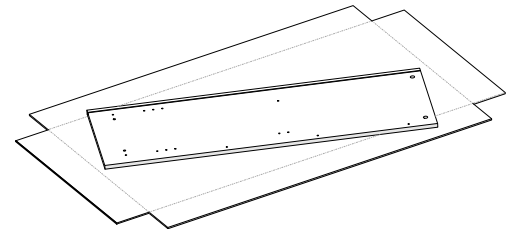


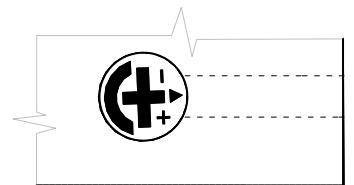
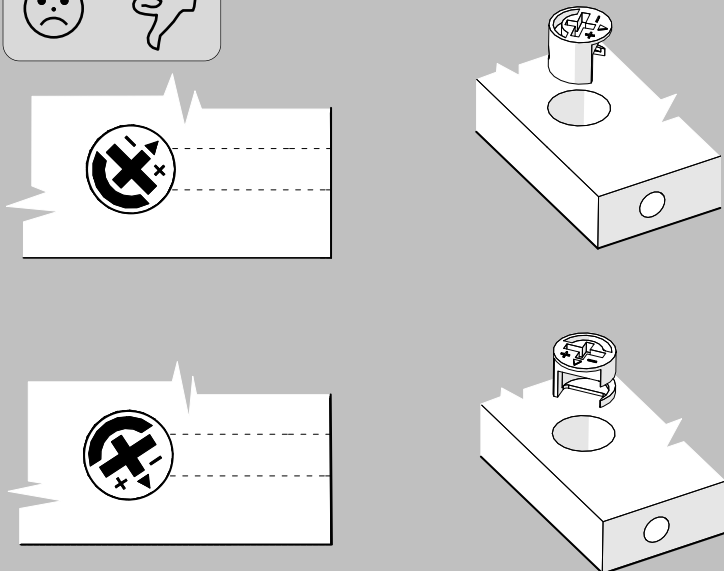
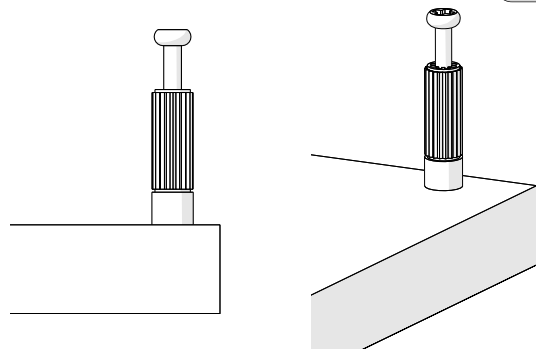
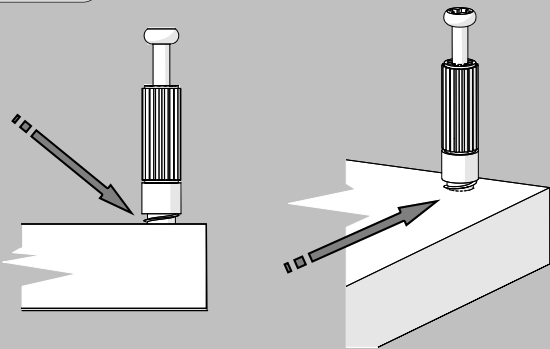
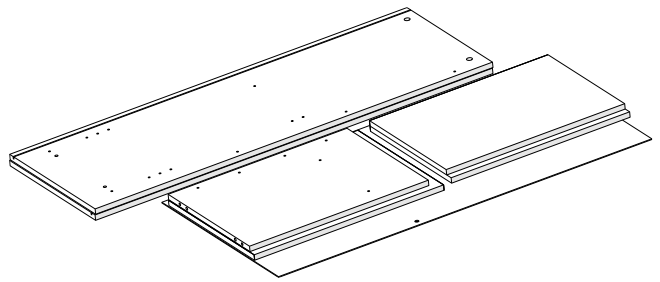
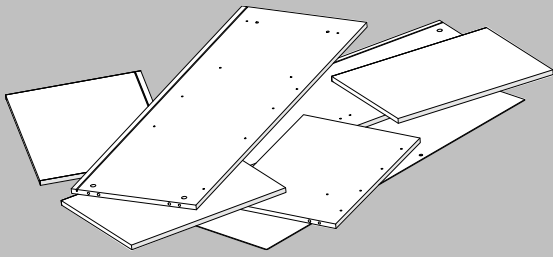
Assembling instruction



EN.Follow the manufacturer's assembly instructions, otherwise danger may occur.



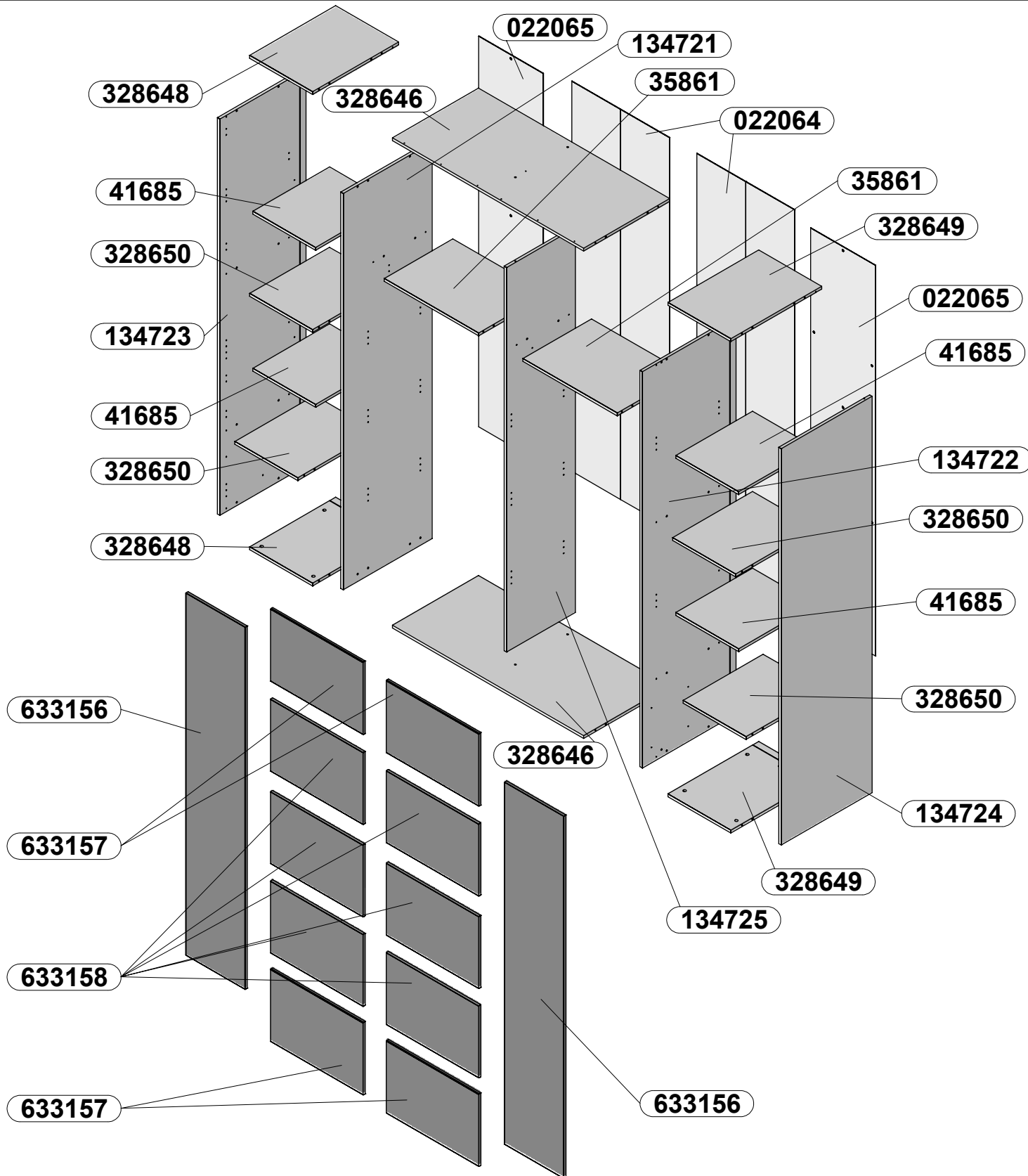
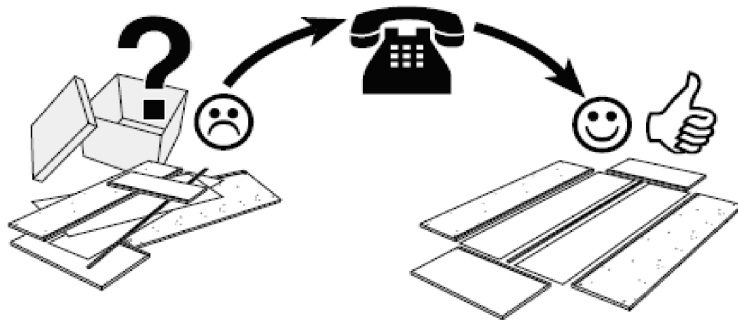
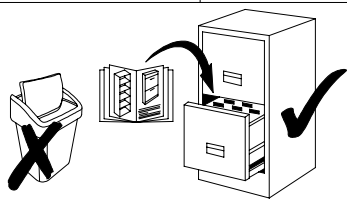




- EN -



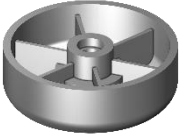

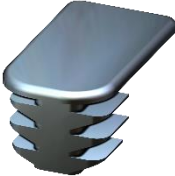
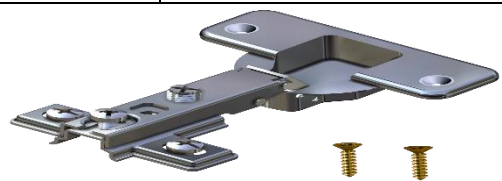
Furniture containing wood-based panels (particle board, fibreboard, plywood etc.) may emit into indoor air inconsiderable amounts of substances used in the production processes. The level of this emission is examined and it meets the applicable standards. After assembling the furniture, it is advised to regularly ventilate the room where the furniture stands, which should last about four weeks or until the smell is eliminated.


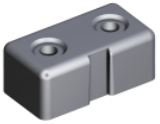
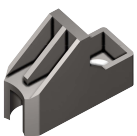
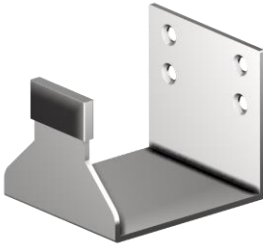



Service



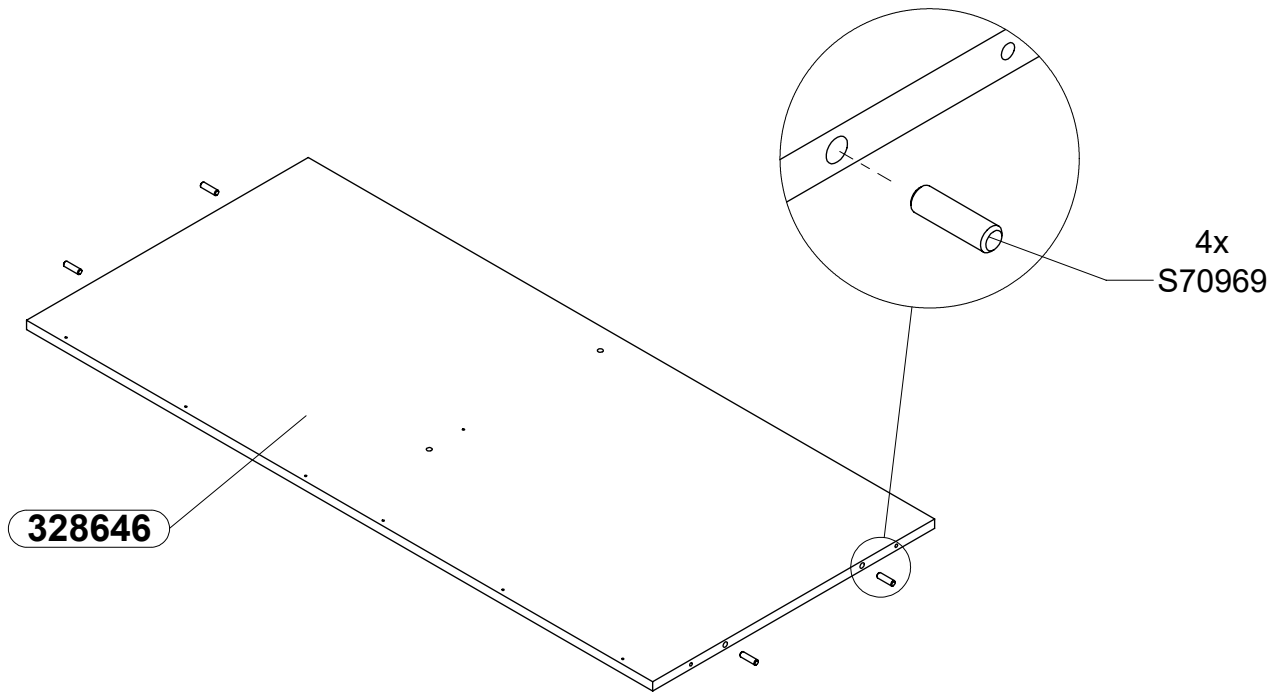
CODE	DIMENSIONS	Coli-0001	Coli-0002	Coli-0003	Coli-0004
022064	2067x598x2				2
022065	2070x395x2				2
134721	2100x544x15		1		
134722	2100x573x15		1		
134723	2100x527x15			1	
134724	2100x556x15			1	
134725	2038x421x15				1
328646	1171x527x15		2		
35861	578x420x15		2		
328648	385x527x15			2	
328649	385x556x15			2	
328650	385x489x15	4			
41685	384x470x15			4	

CODE	DIMENSIONS	Coli-0001	Coli-0002	Coli-0003	Coli-0004
633156	2086x394x15				2
633157	615x418x15	4			
633158	615x417x15	6			

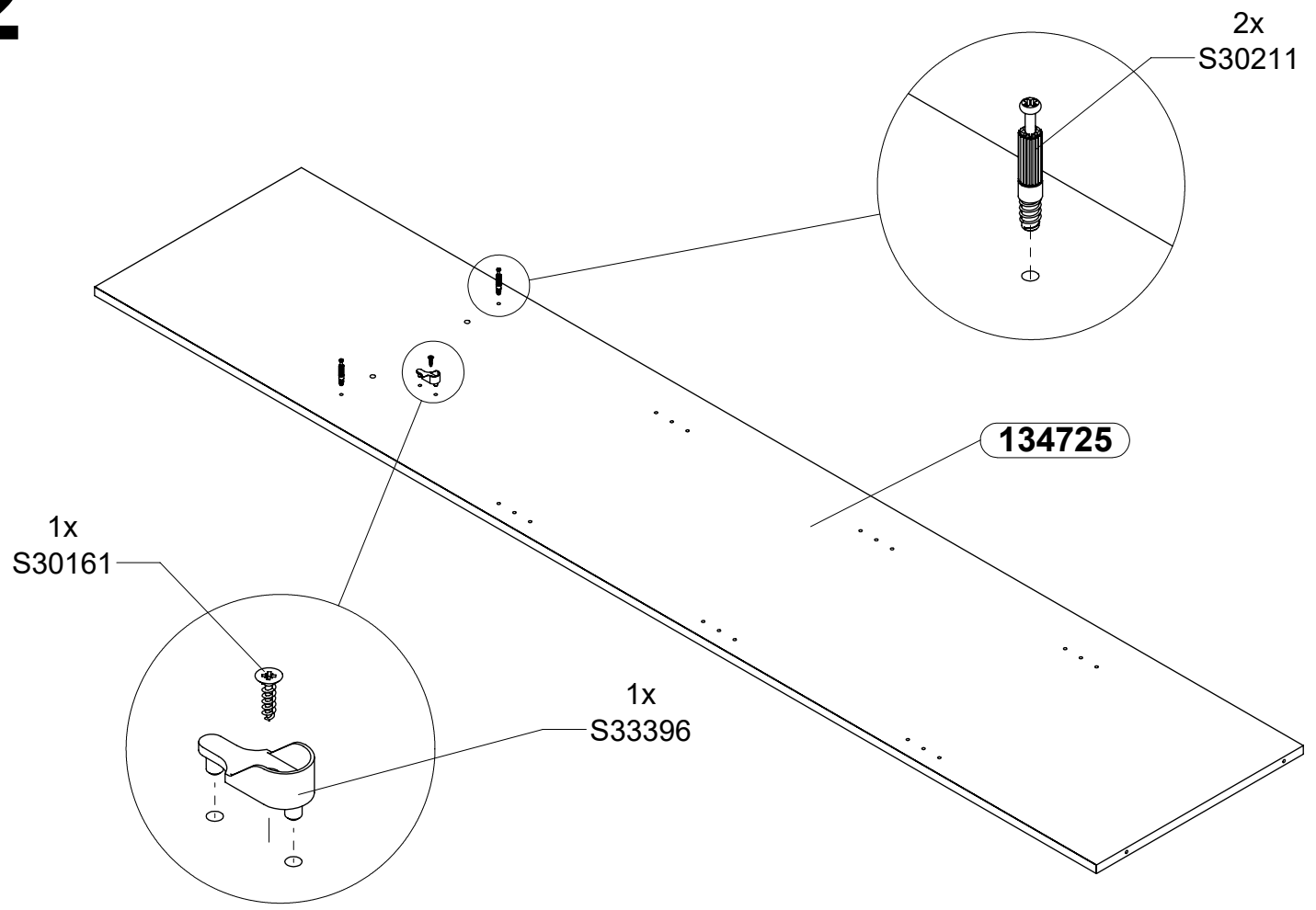
<p>48x S70969</p> <p>Ø8x28</p> 	<p>40x S30211</p> 	<p>40x S30212</p> <p>Ø15x12</p> 	<p>9x S30129</p> <p>Ø3,5x25</p> 
<p>41x S30161</p> <p>Ø4x16</p> 	<p>16x S30106</p> <p>Ø3.5x15</p> 	<p>13x S30157</p> <p>Ø4x30</p> 	<p>4x S30151</p> <p>Ø4x25</p> 
<p>50x S31298-14</p> <p>Ø4x14</p> 	<p>16x S30111</p> <p>Ø6,3x13</p> 	<p>12x S32080</p> <p>Ø6,4x50</p> 	<p>60x S31299</p> <p>Ø1,6x30</p> 
<p>12x S30312</p> 	<p>4x S32382</p> 	<p>5x S38808</p> 	<p>8x S34702</p> 
<p>16x S30337-23</p> 	<p>2x S32892-N</p> 	<p>1x S30066</p> 	<p>1x S20557</p> 
<p>4x S33396</p> 	<p>2x S35658</p> 	<p>4x S38389</p> 	
<p>2x S37915</p> <p>L - 1050</p> 	<p>8x S30001</p> 		
<p>2x S36628</p> <p>Ø10x50, Ø5x60</p> 	<p>16x S31347-N</p> 		
<p>2x S38843</p> <p>L - 2088</p> 	<p>2x S38842</p> <p>L - 2088</p> 		
<p>2x S33785</p> <p>L=571</p> 	<p>1x S36419-N</p> <p>L - 1170</p> 		
<p>1x S36418-N</p> <p>L - 1170</p> 			

<p>2x S36482-N</p> 	<p>2x S36165</p> 	<p>1x S36483-N</p> 
<p>2x S36480-N</p> 	<p>2x S36478-N</p> 	
<p>2x S36479-N</p> 	<p>2x S36481-N</p> 	

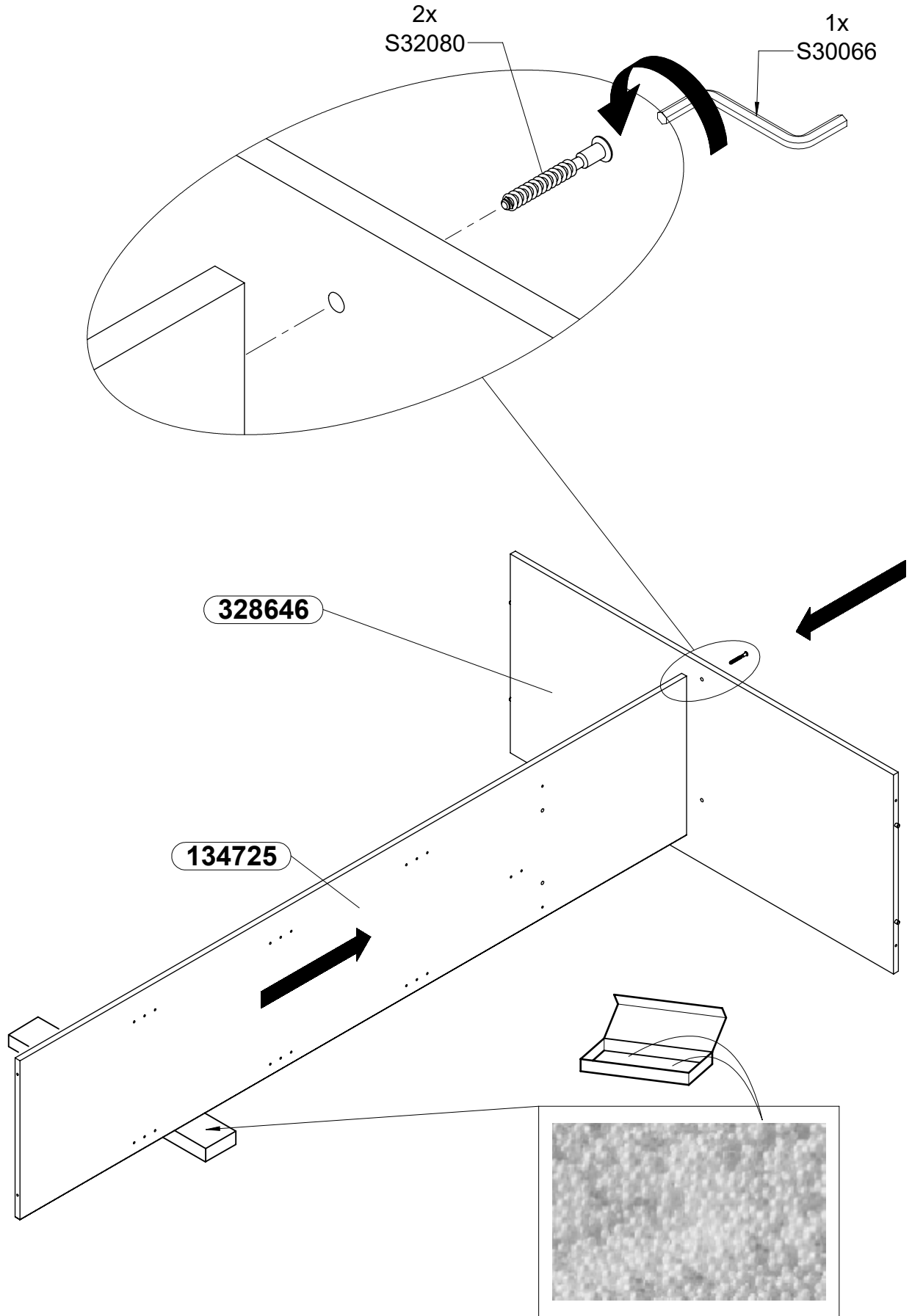
1 x1



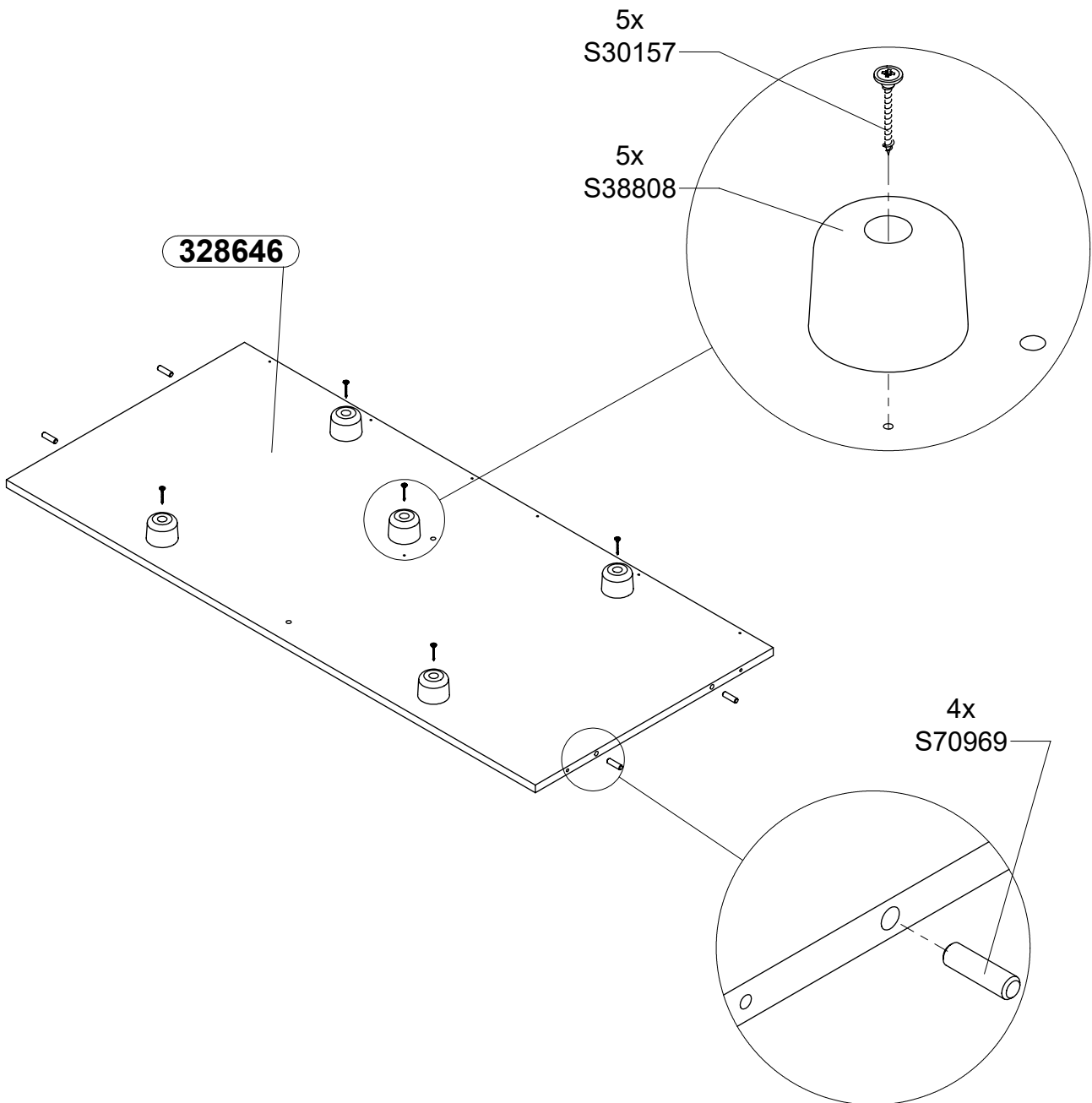
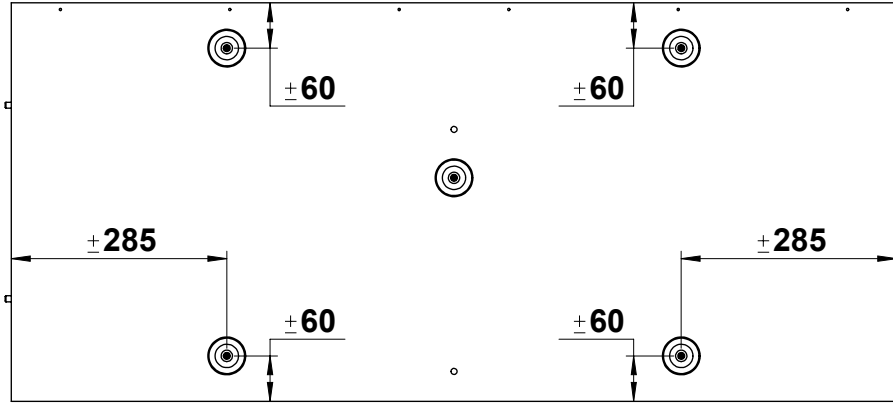
2



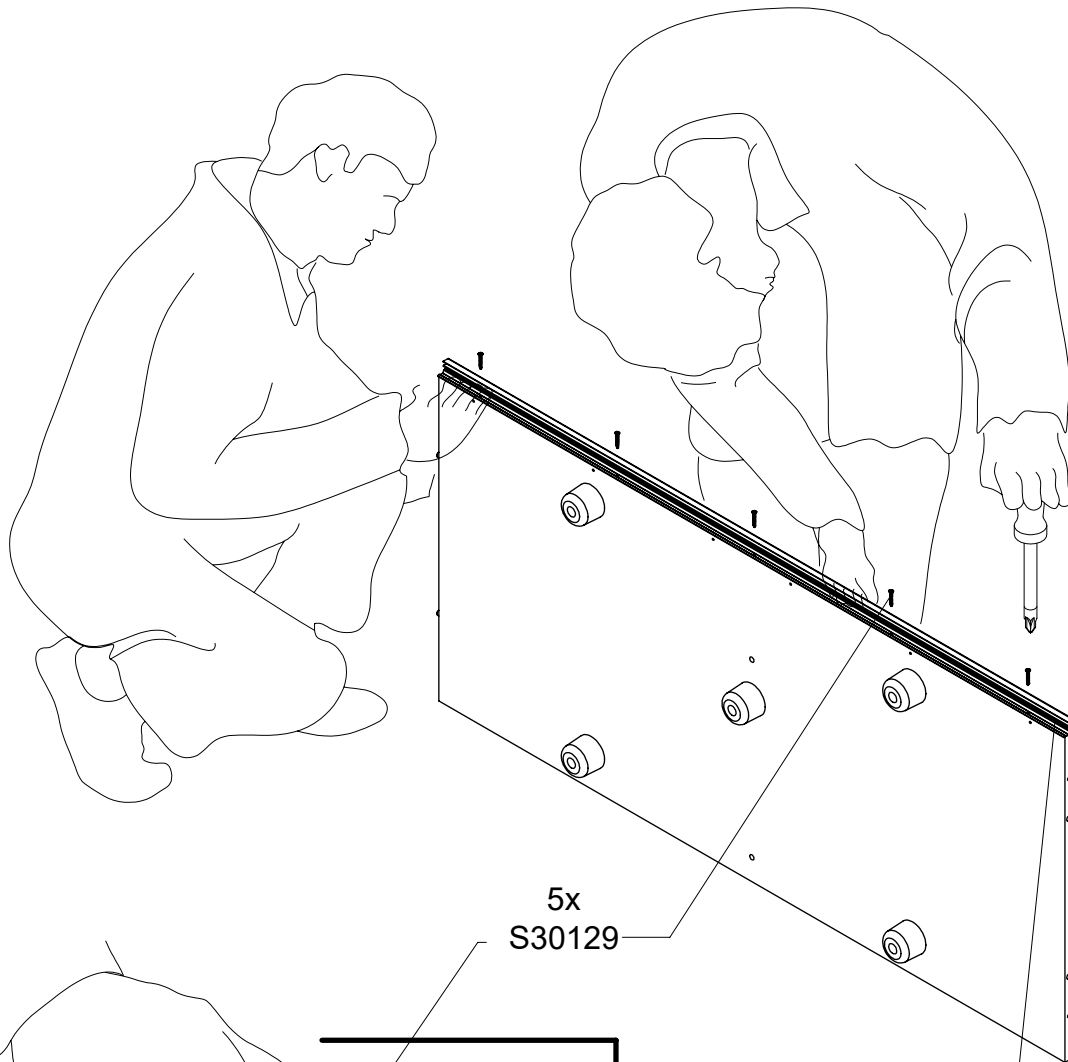
3



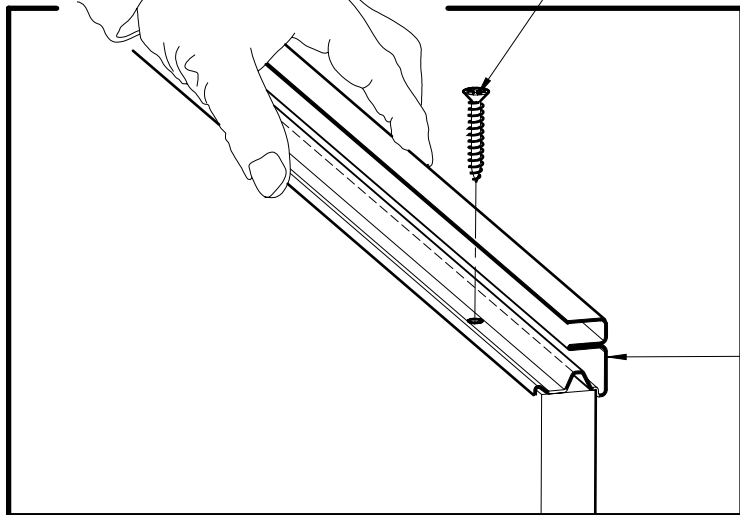
4 x1



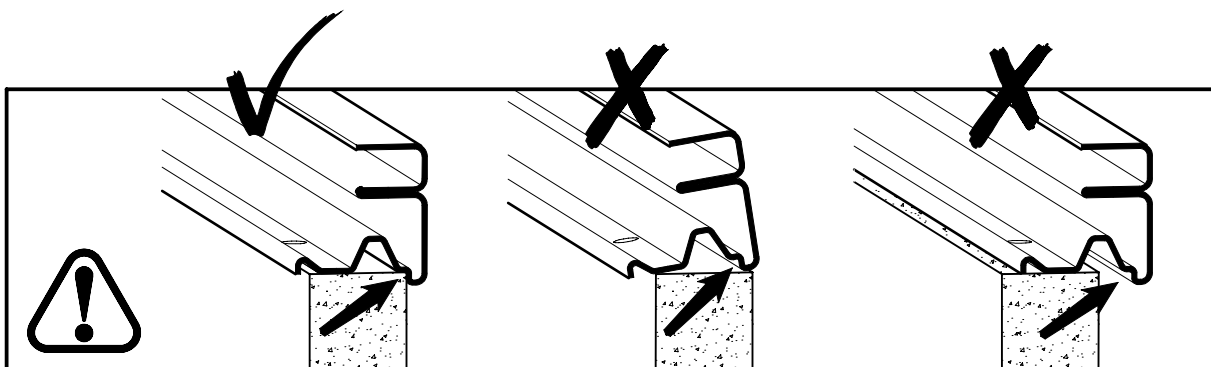
5



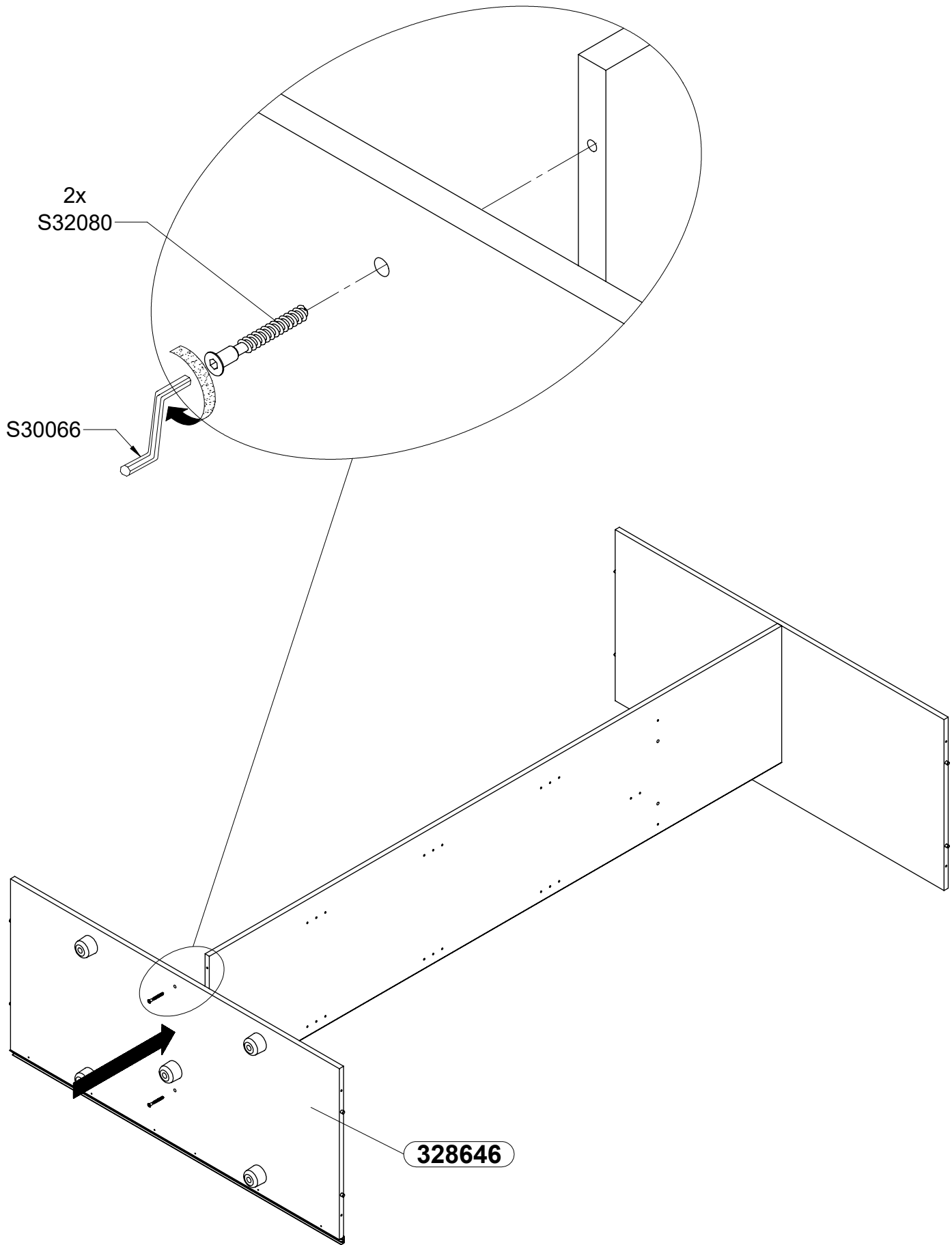
5x
S30129



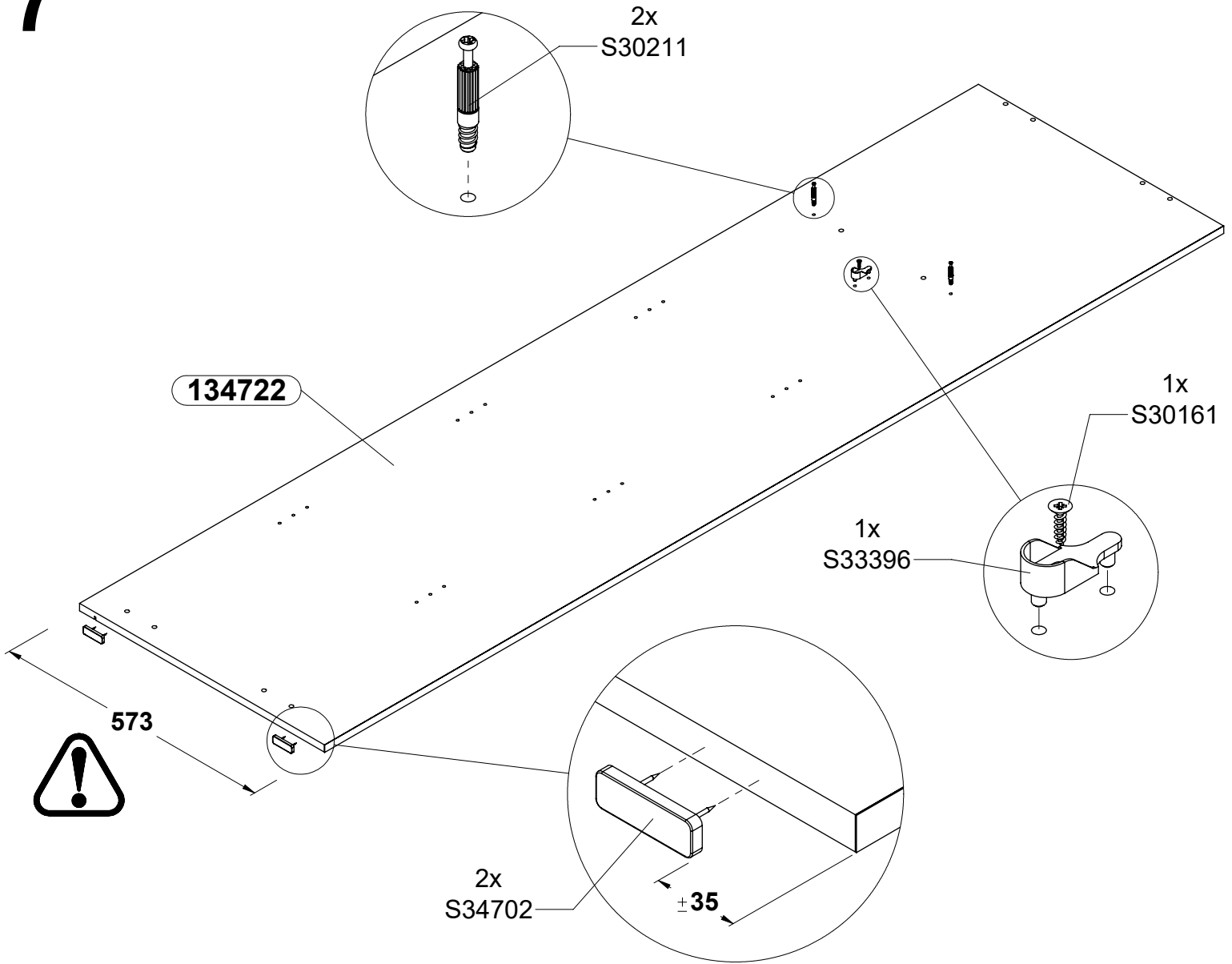
1x
S36419-N



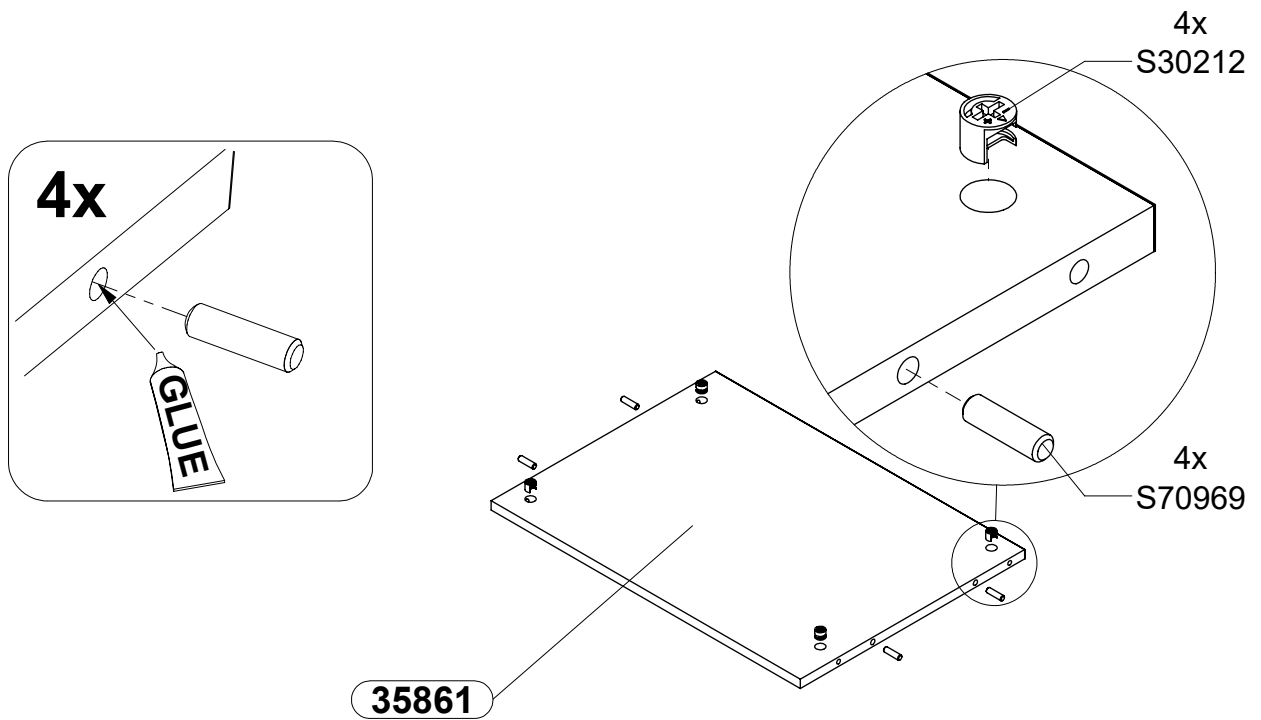
6



7



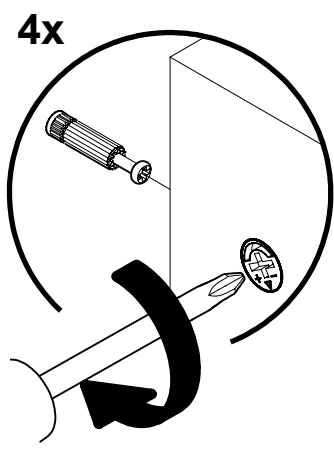
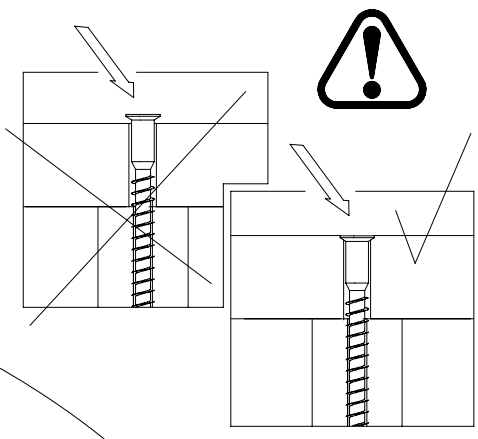
8 x2



9

S30066

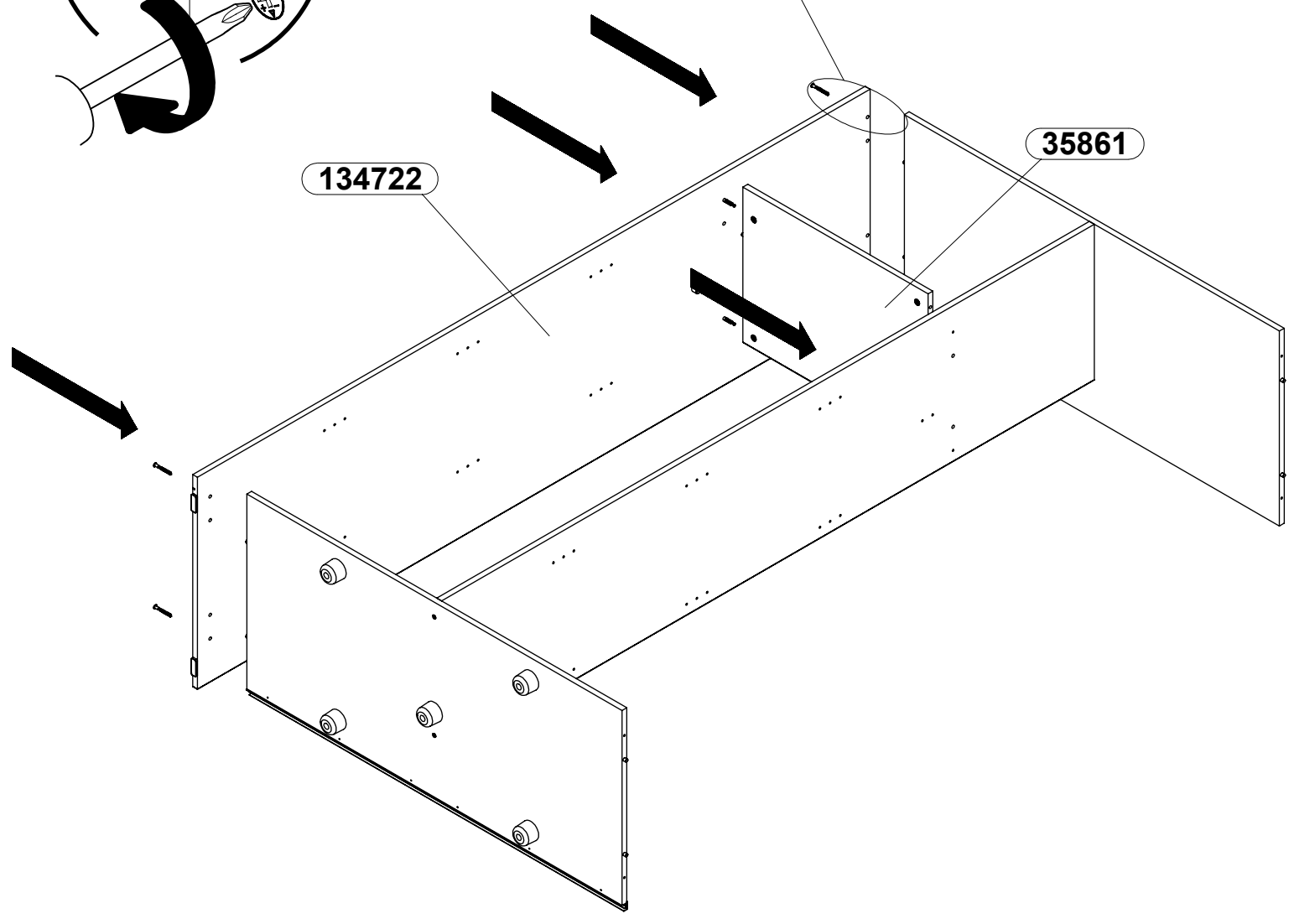
4x
S32080



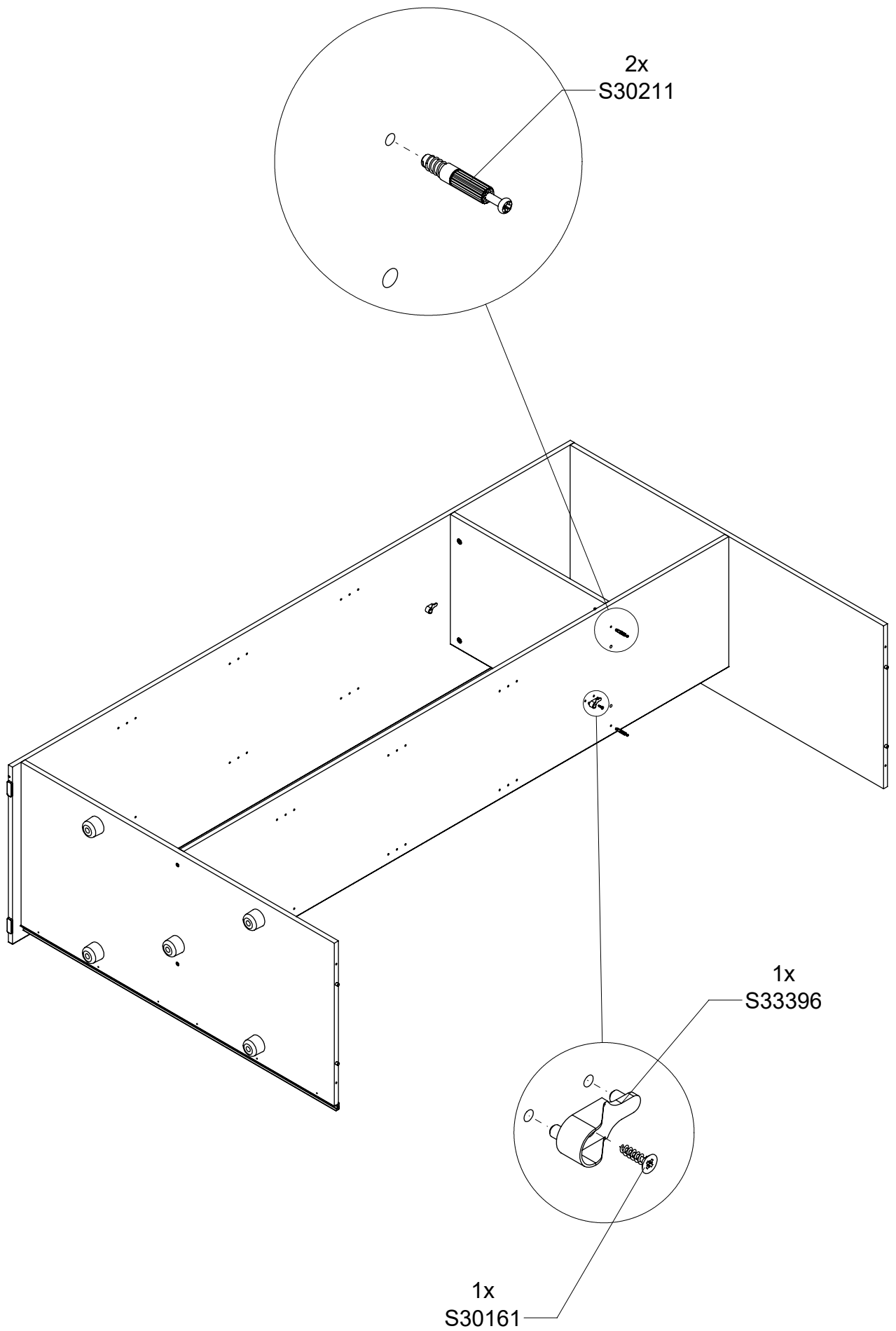
4x

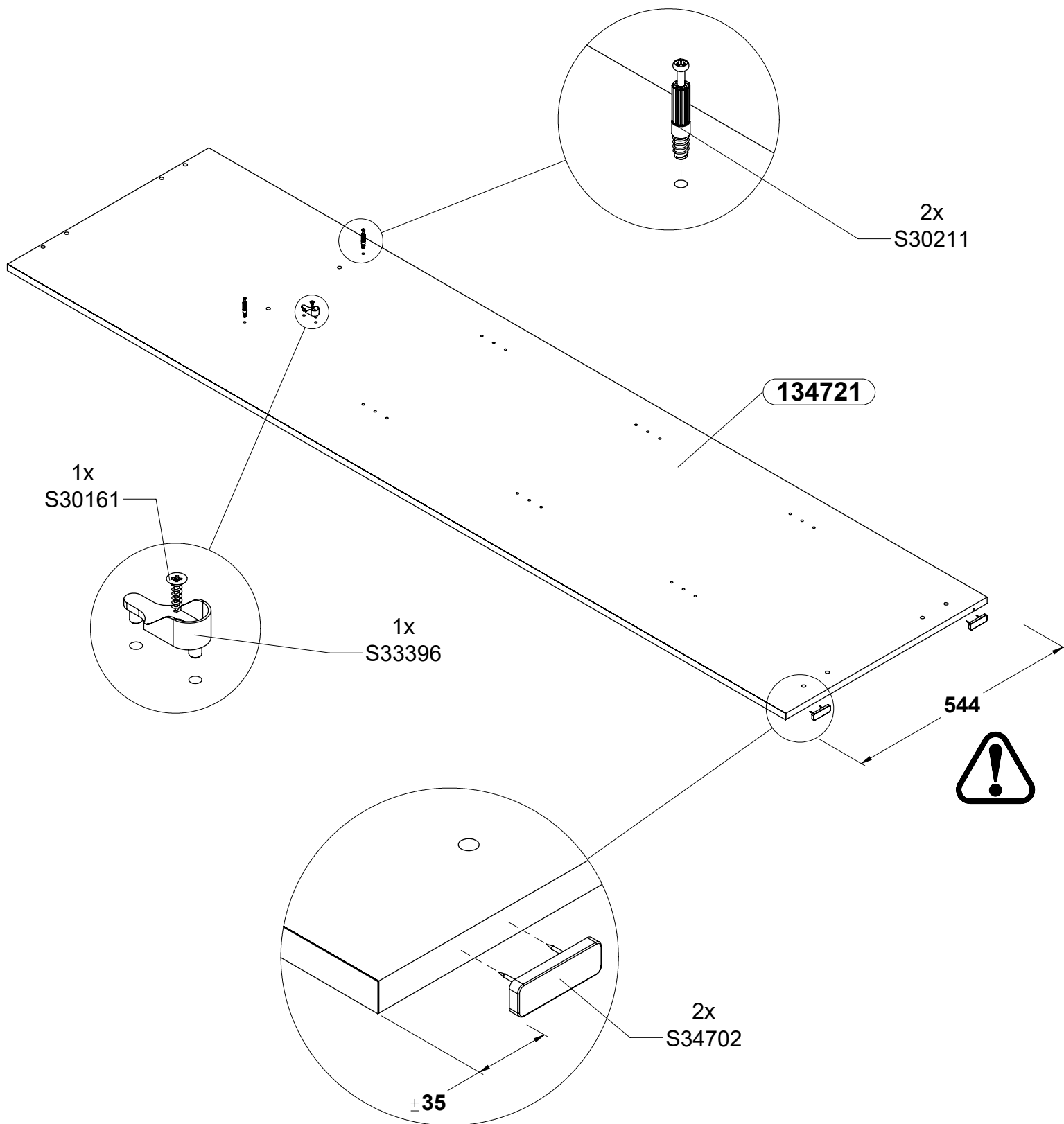
134722

35861

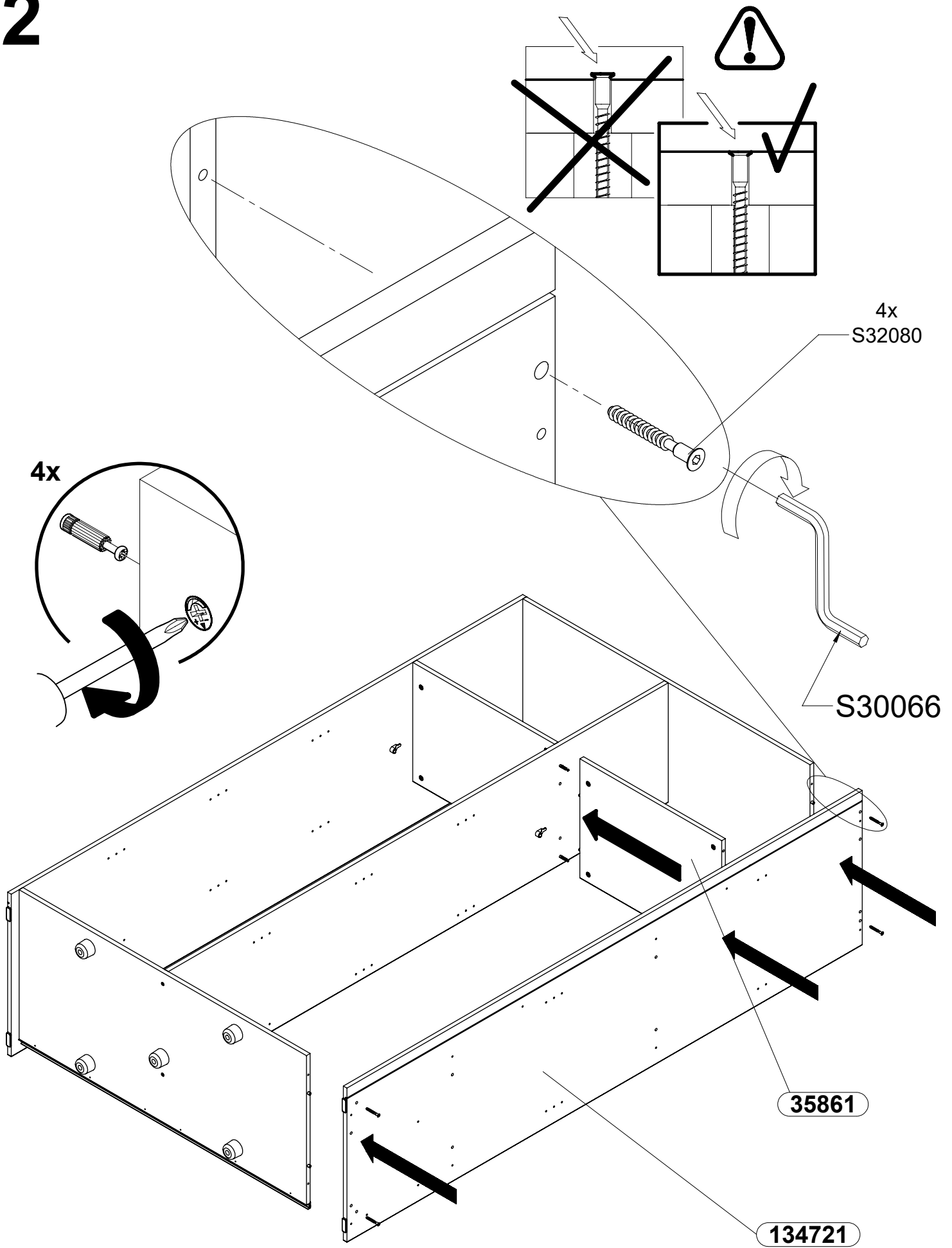


10

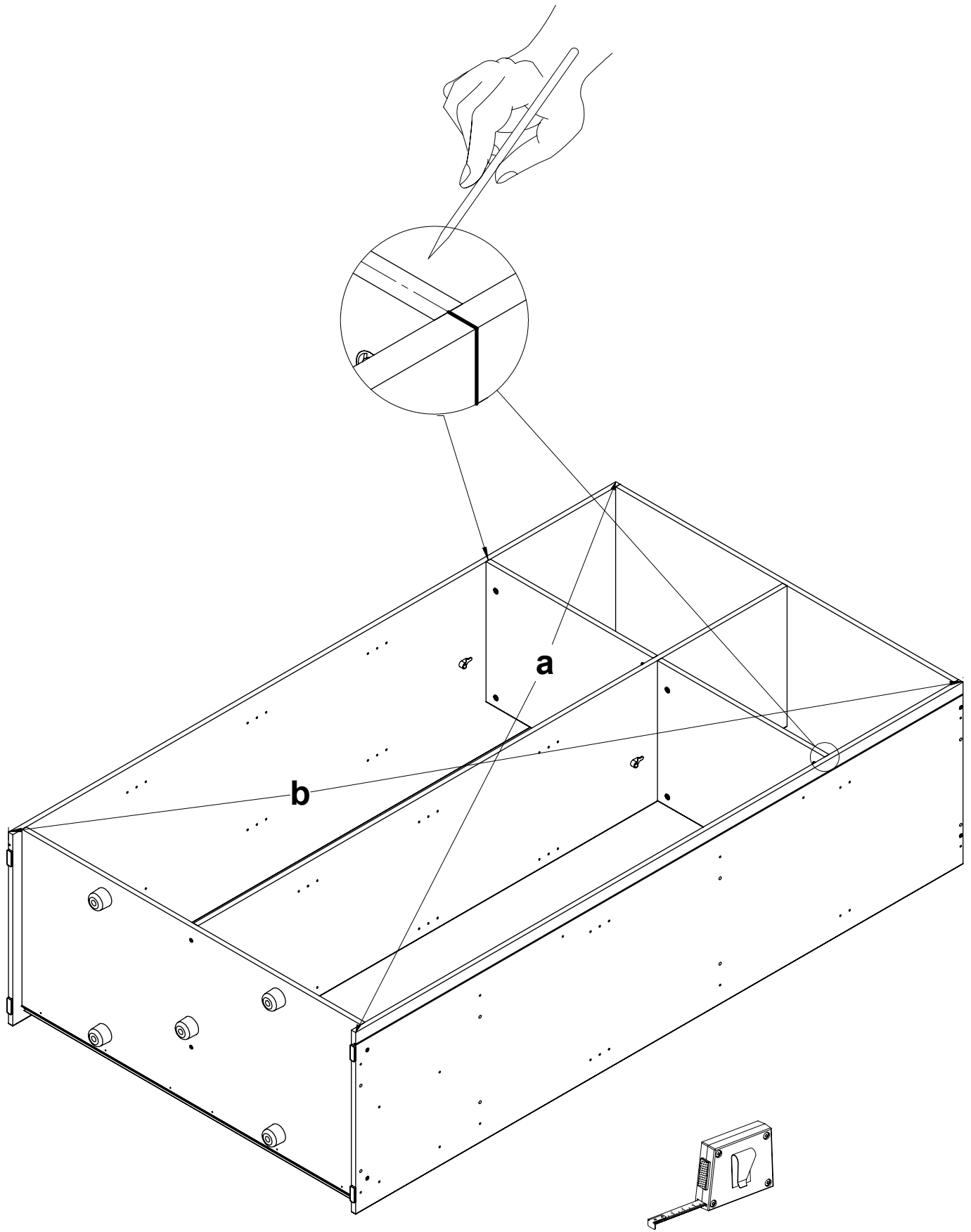




12

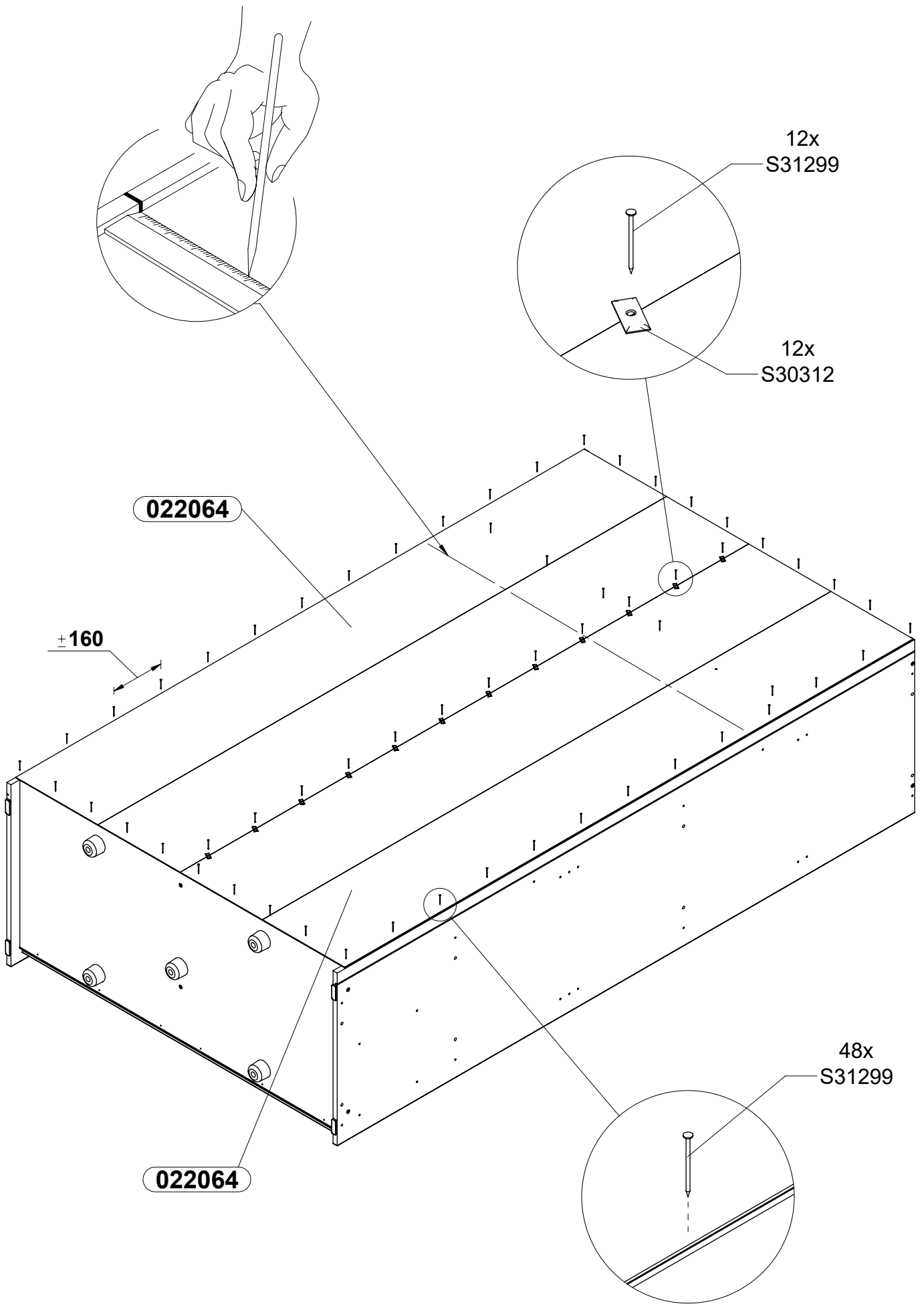


13



a = b

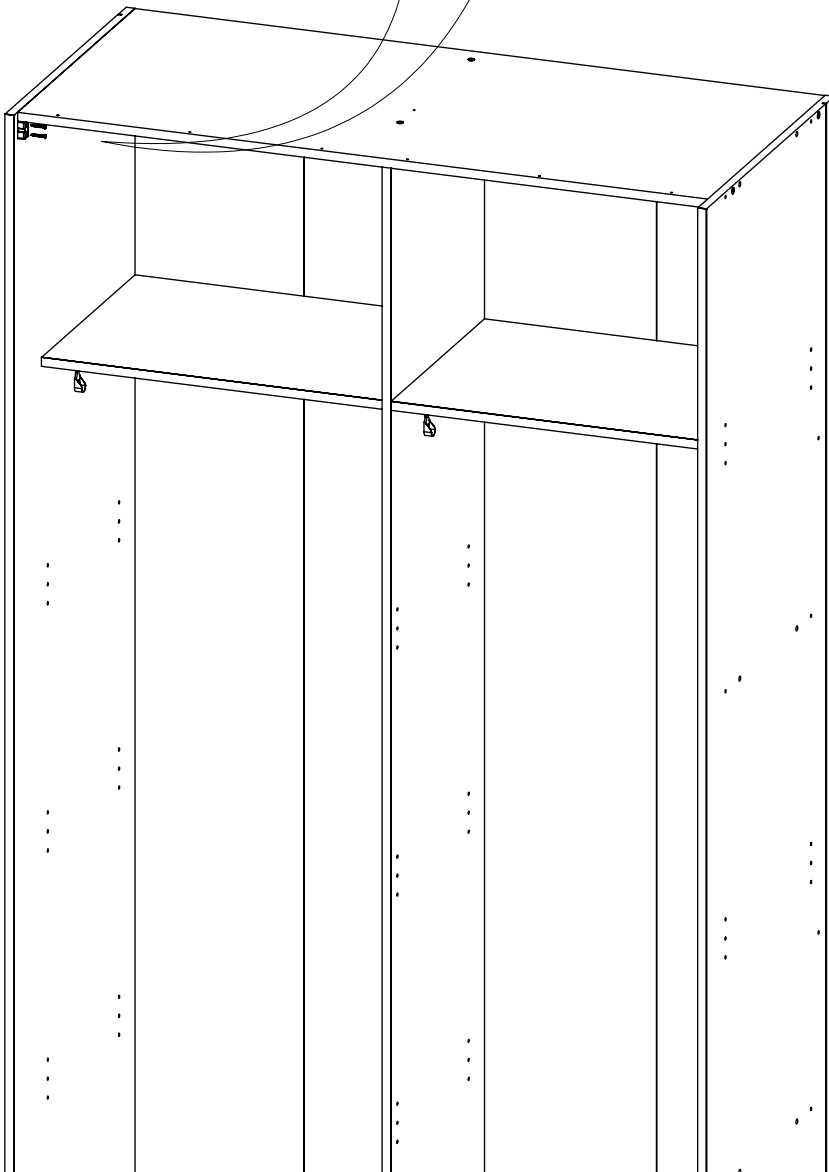
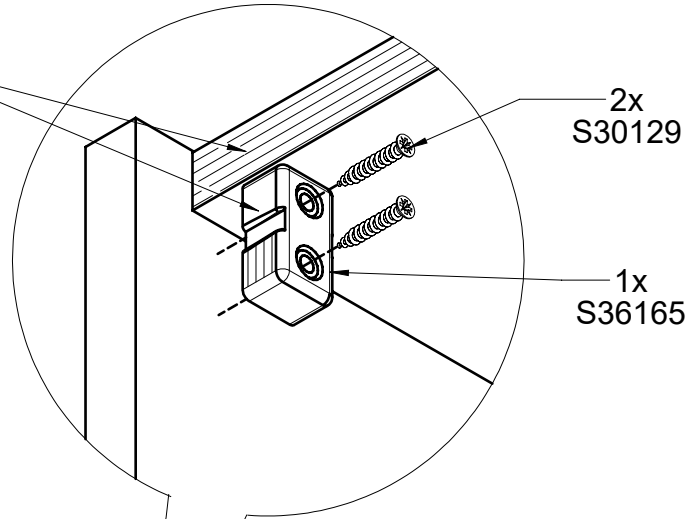
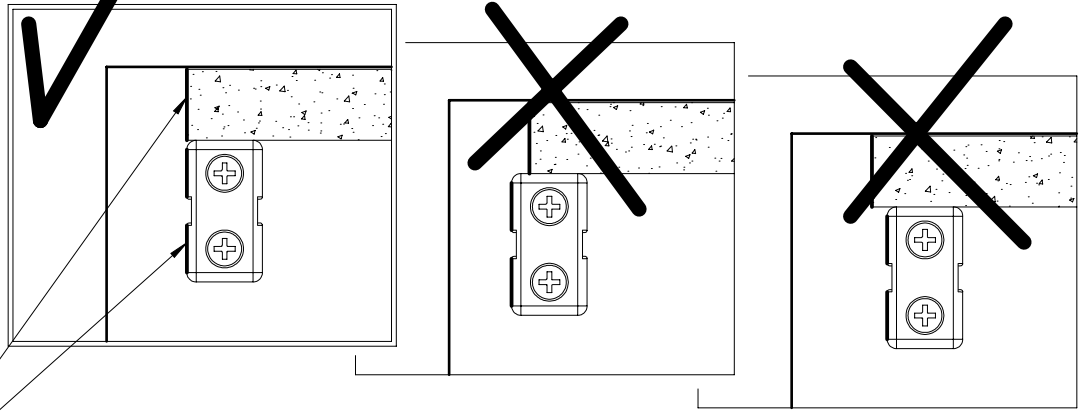
14



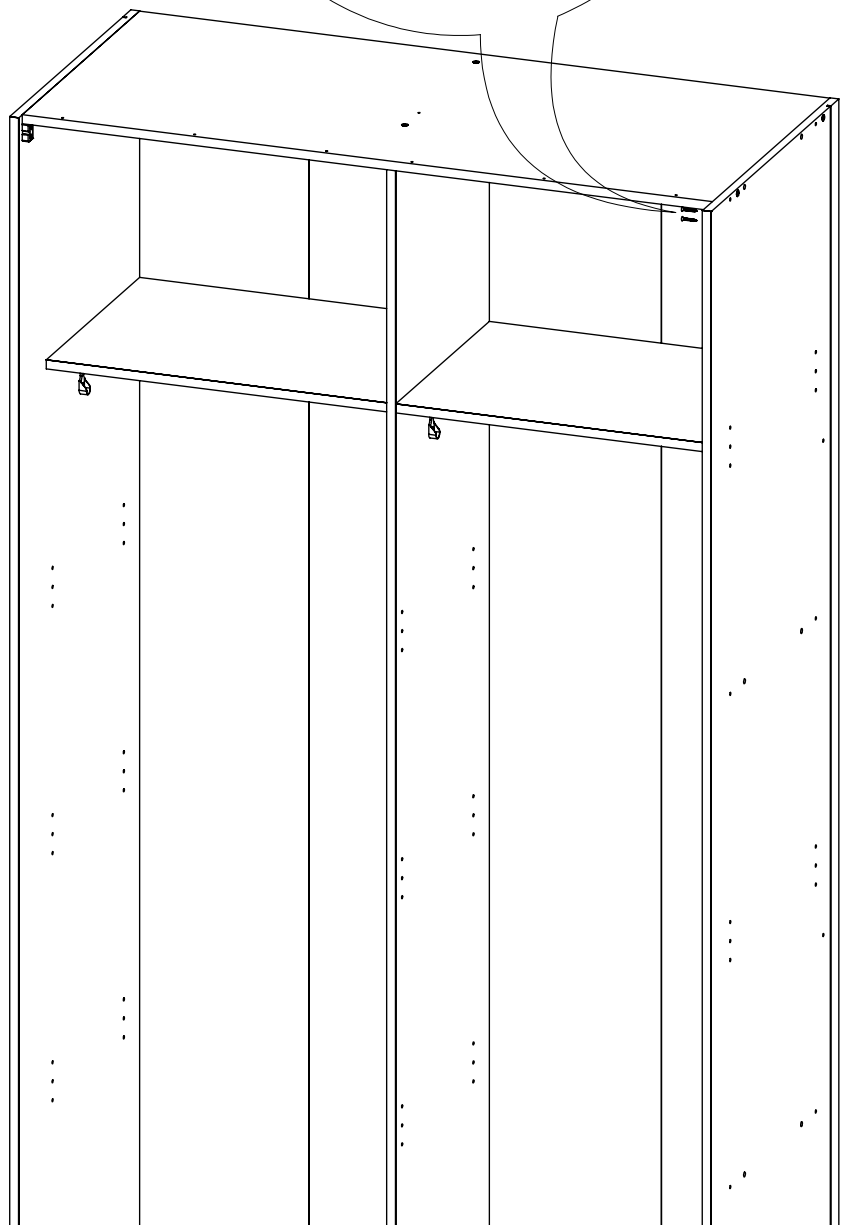
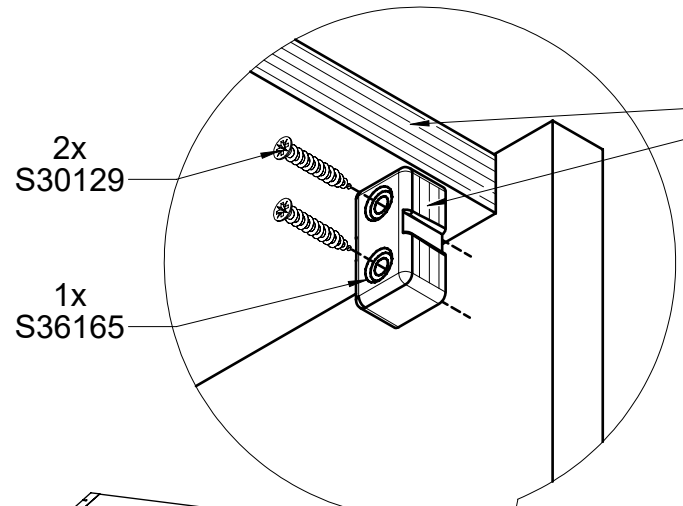
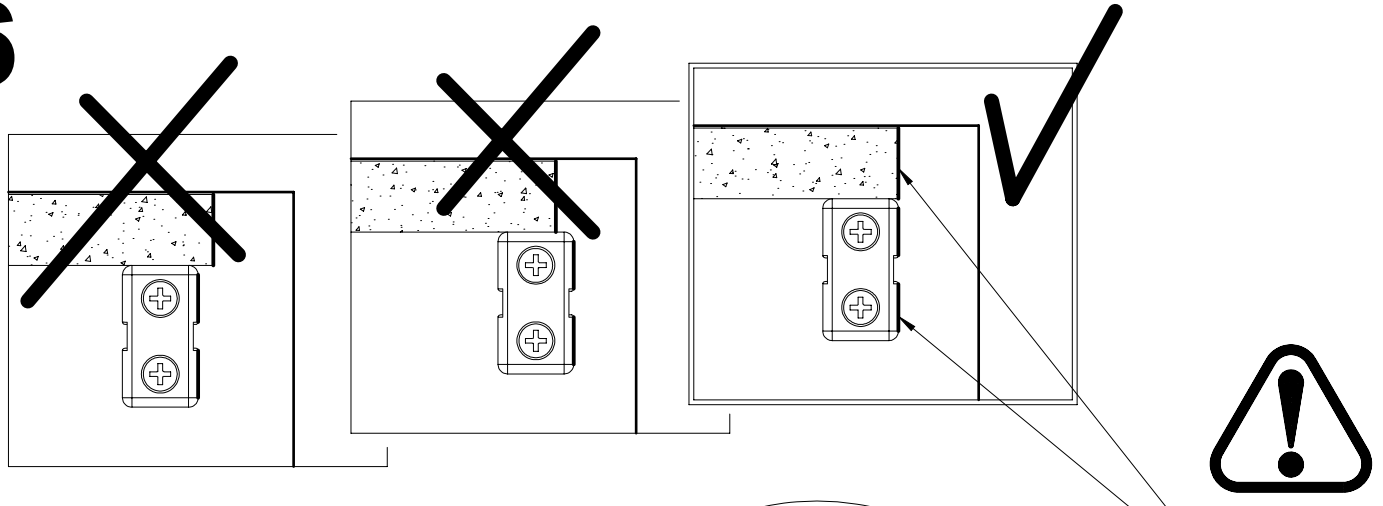
15



=

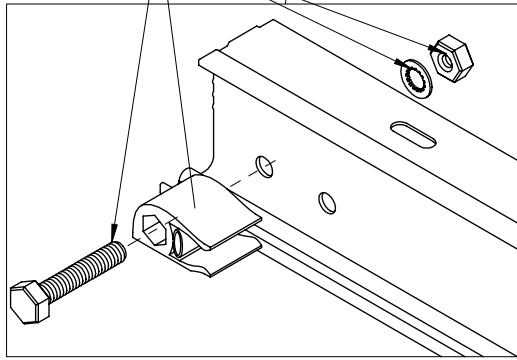


16

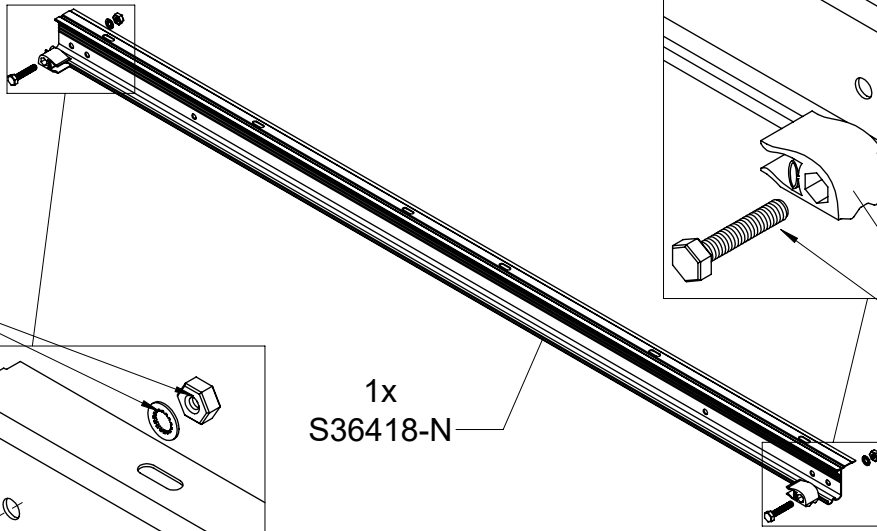


17

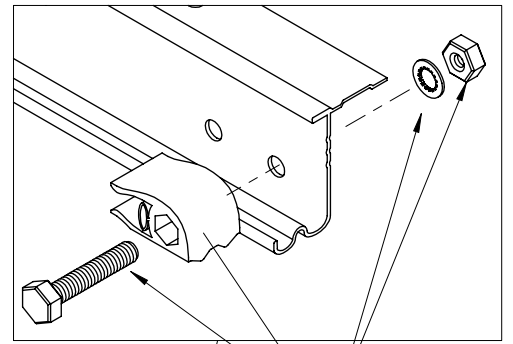
1x
S36482-N



1x
S36418-N

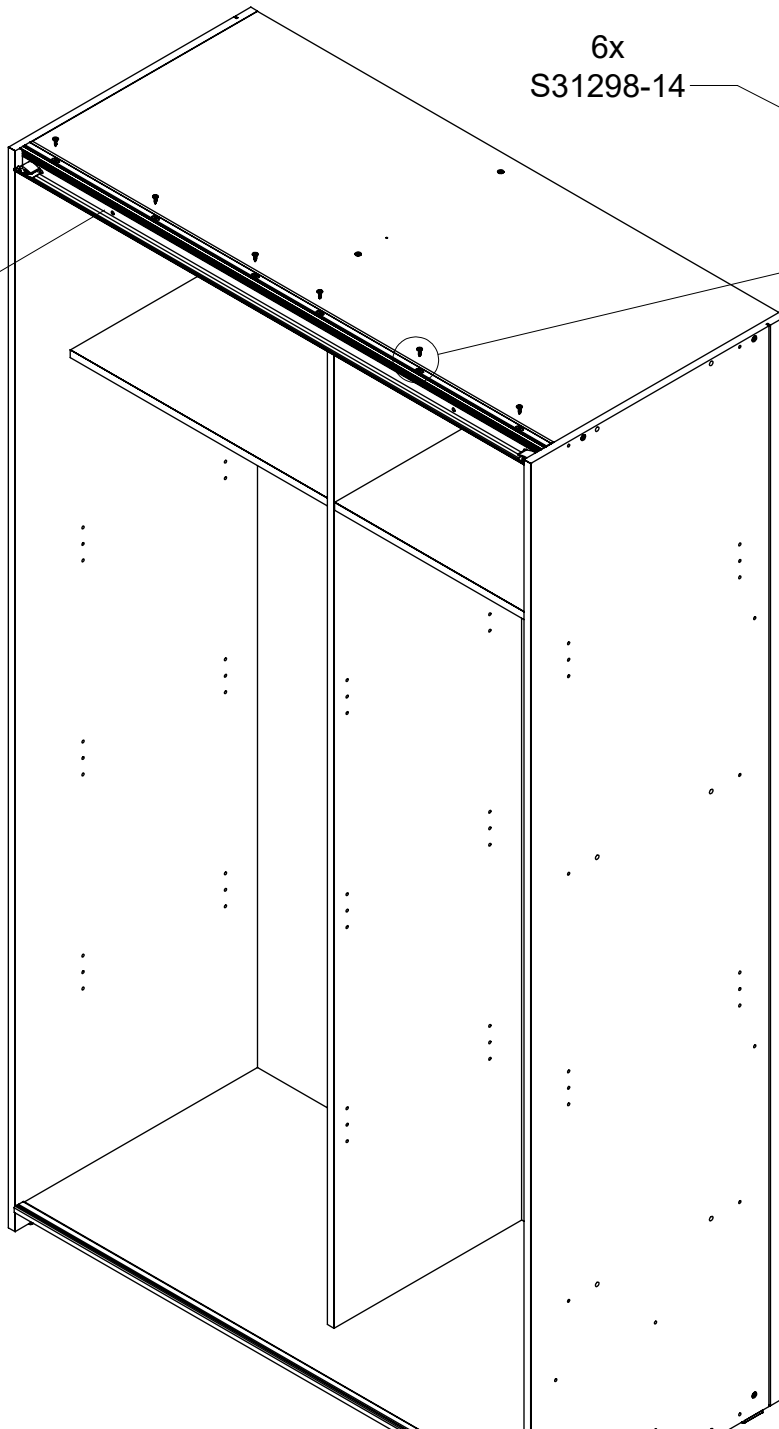


1x
S36482-N

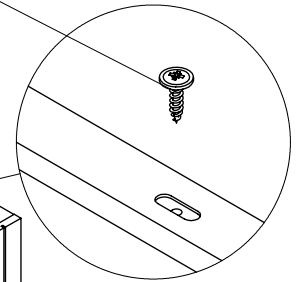


18

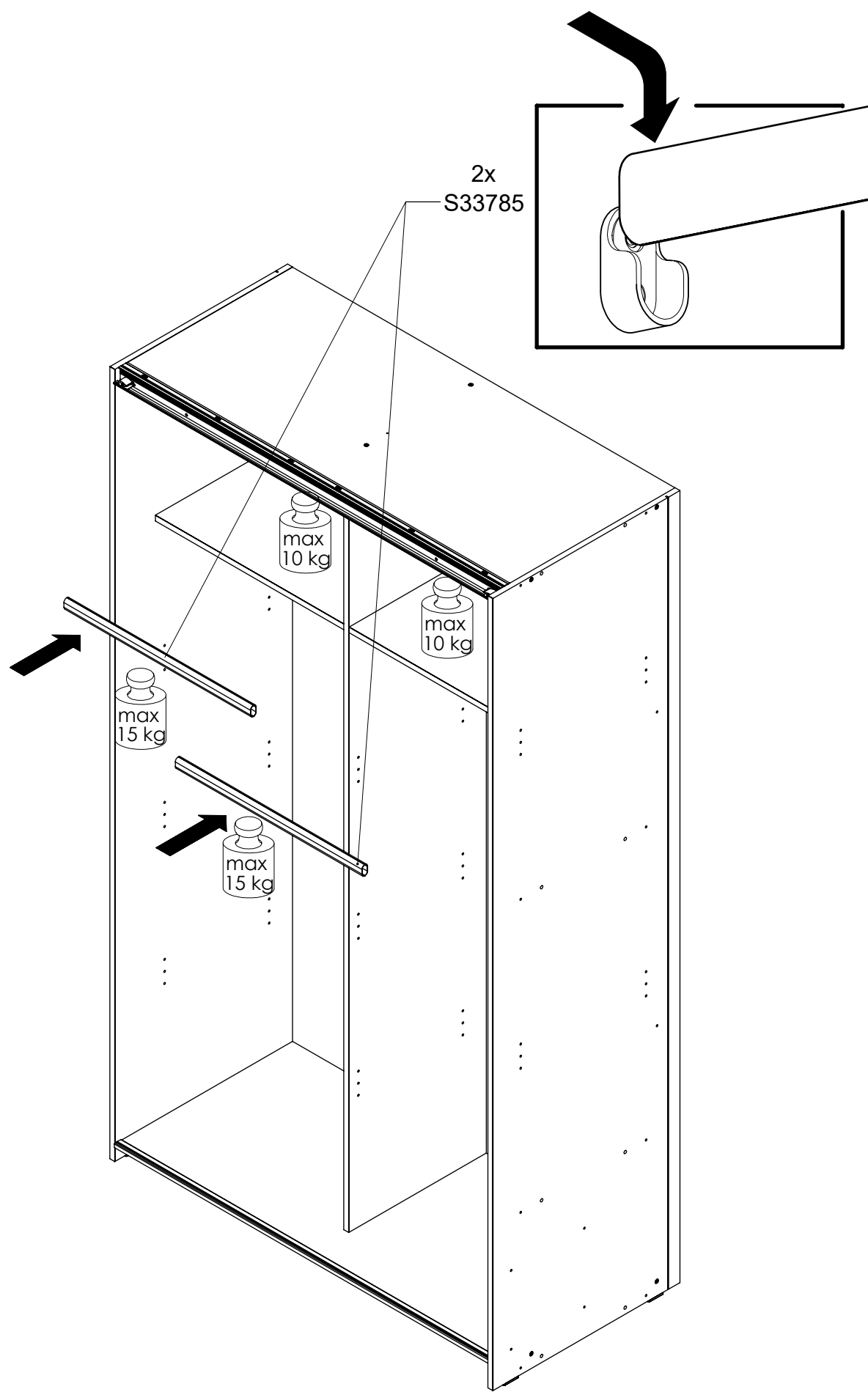
1x
S36418-N



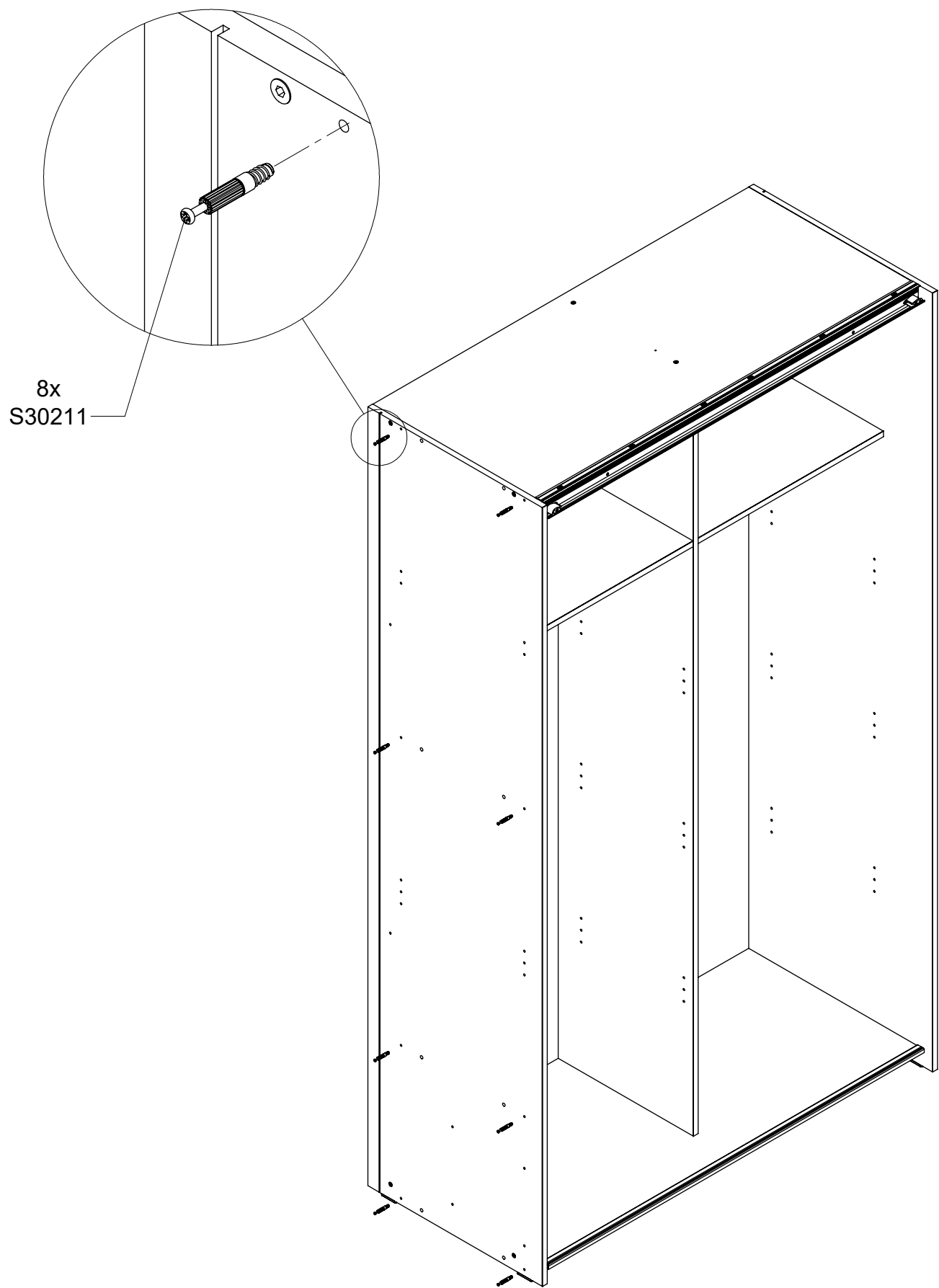
6x
S31298-14



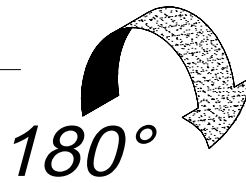
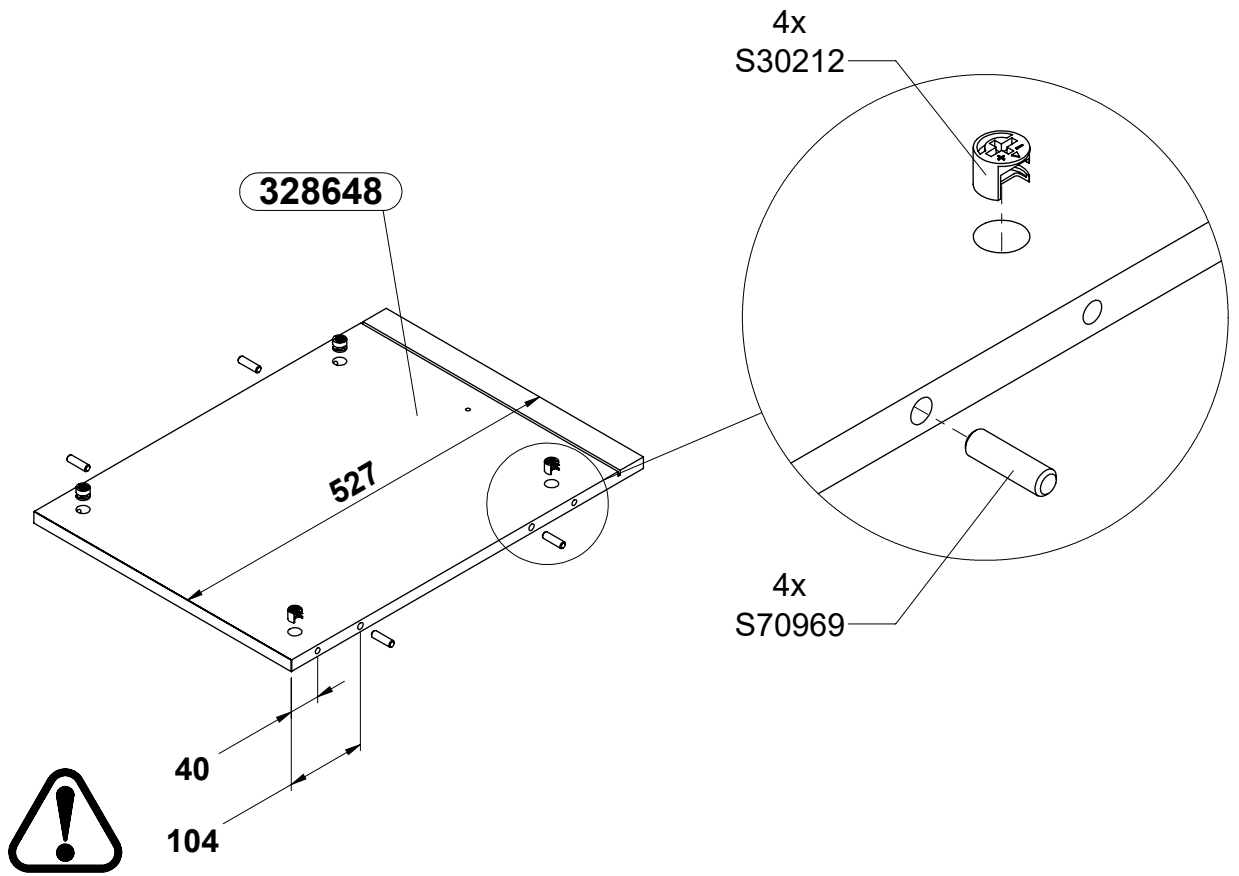
19



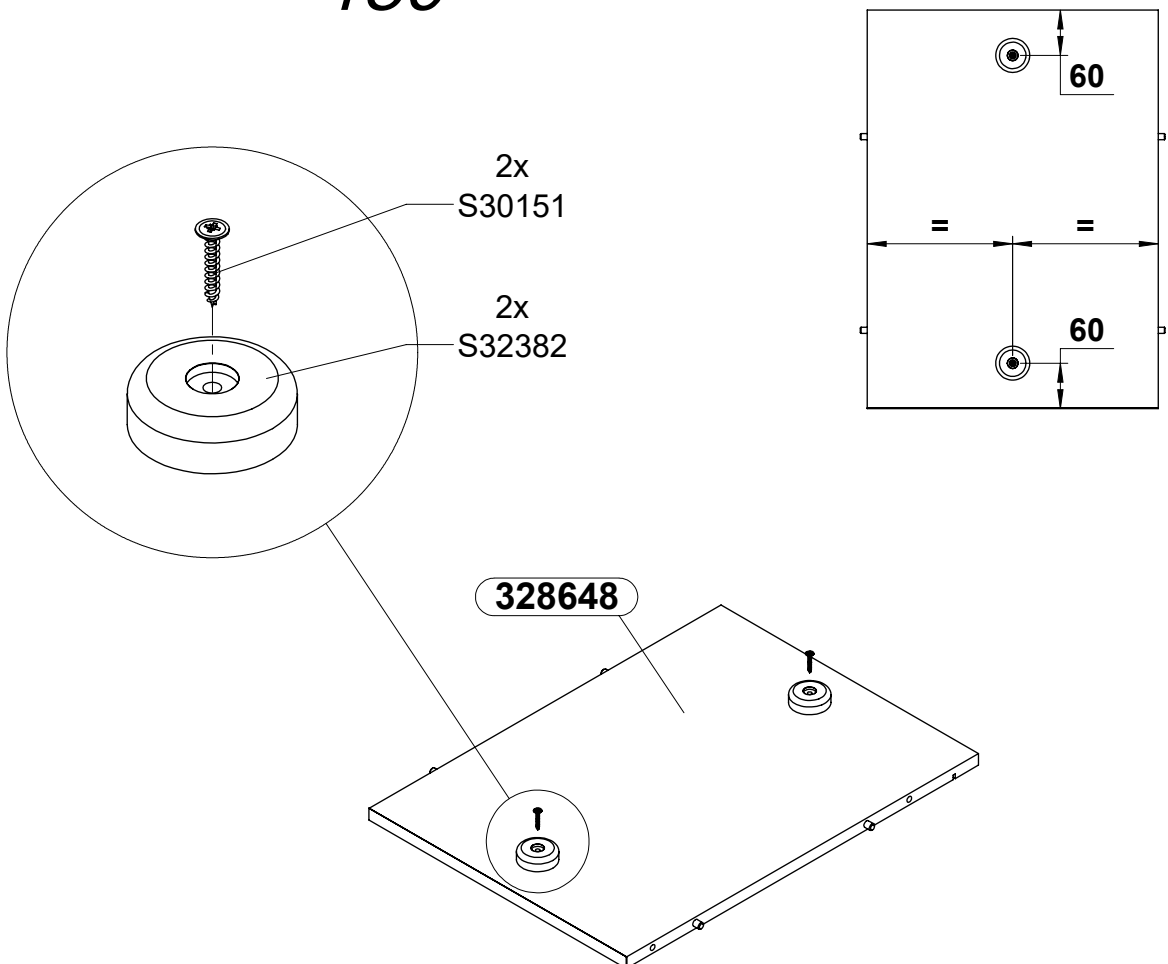
20

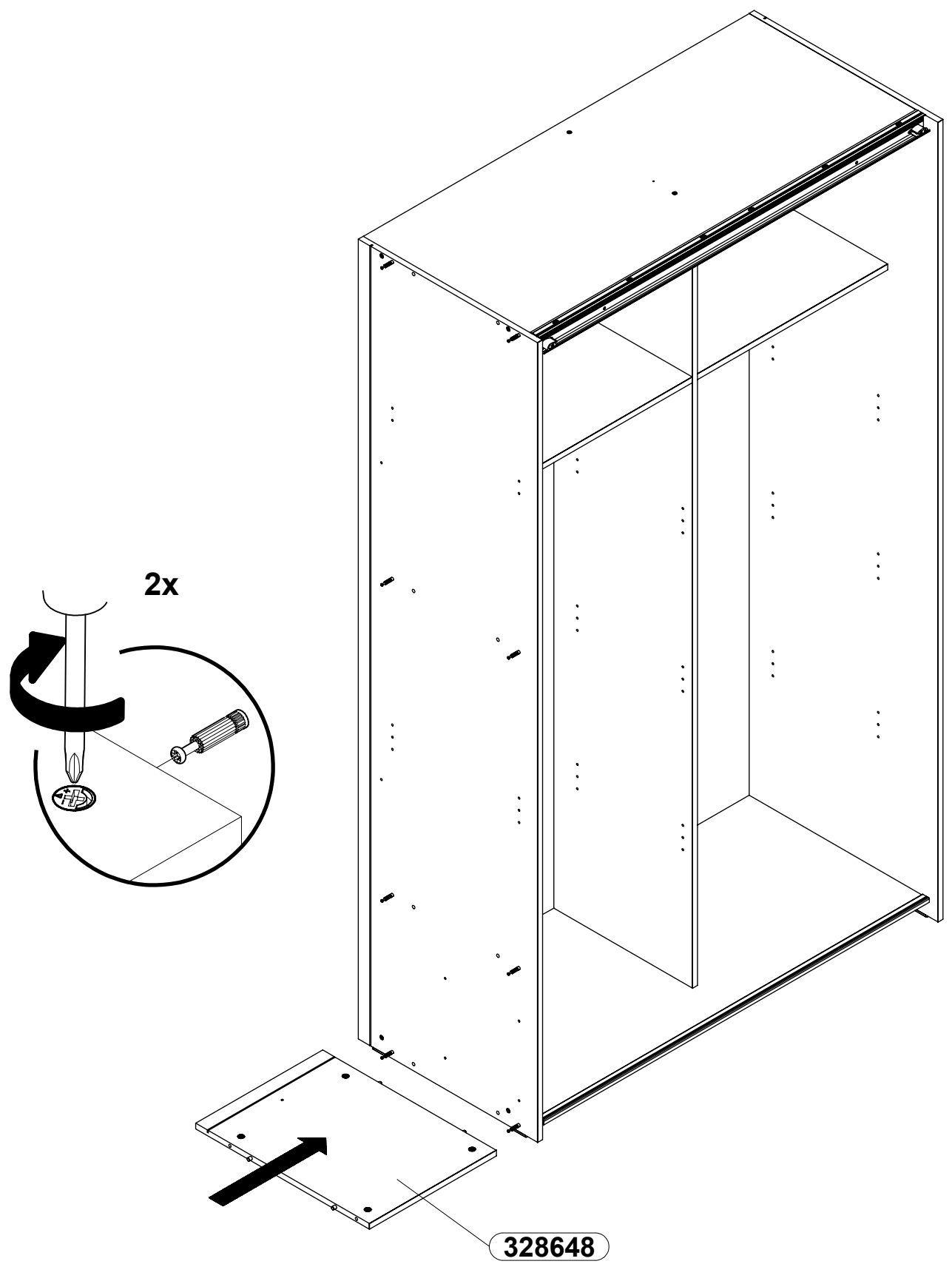


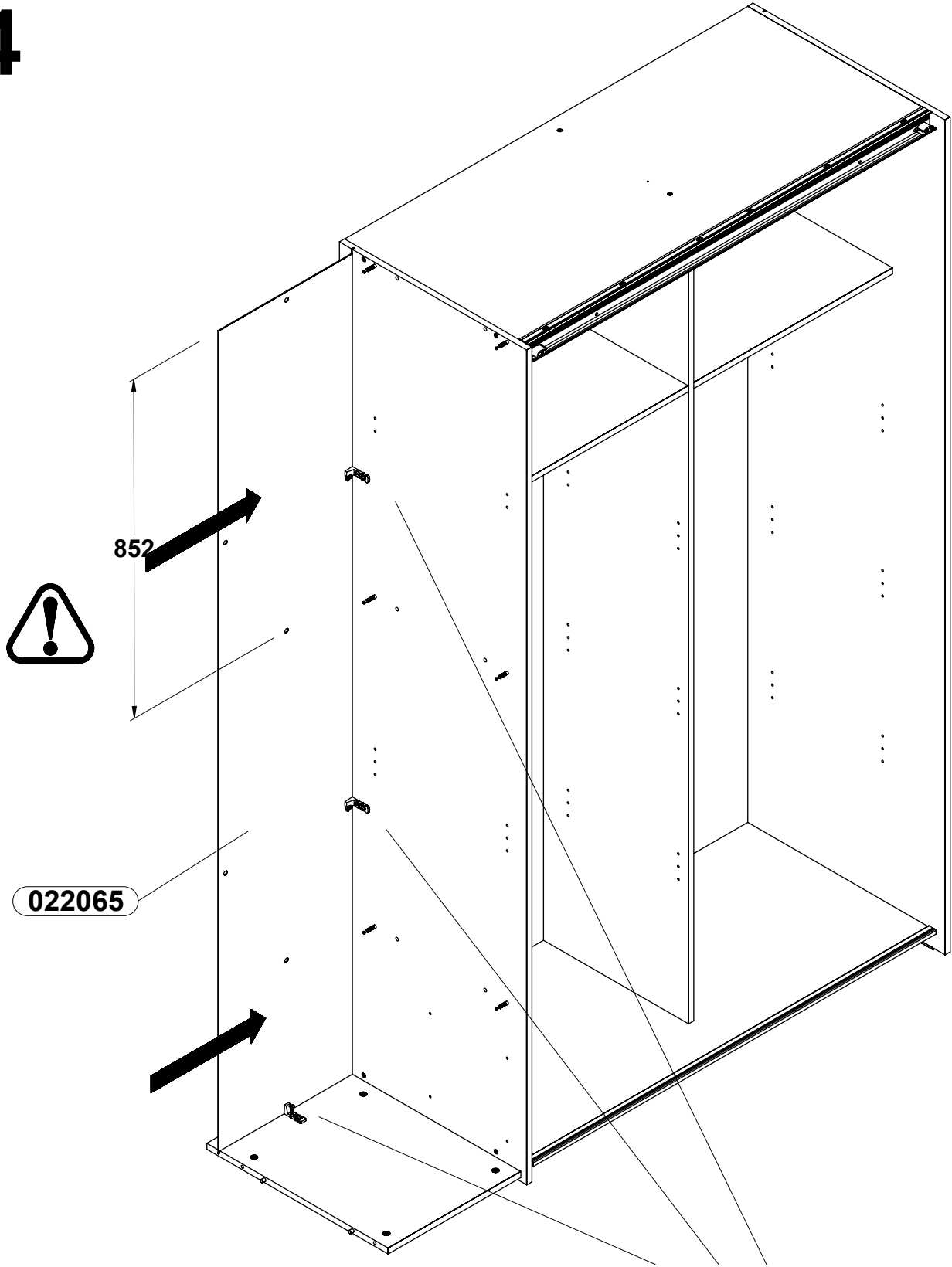
21x2



22x1





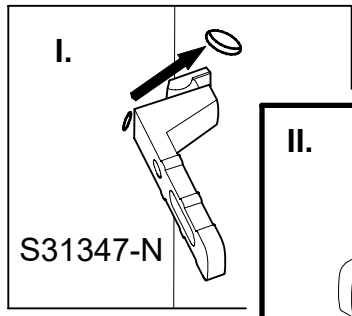


022065

852

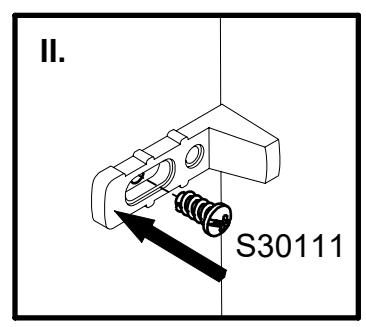


II. III. I.



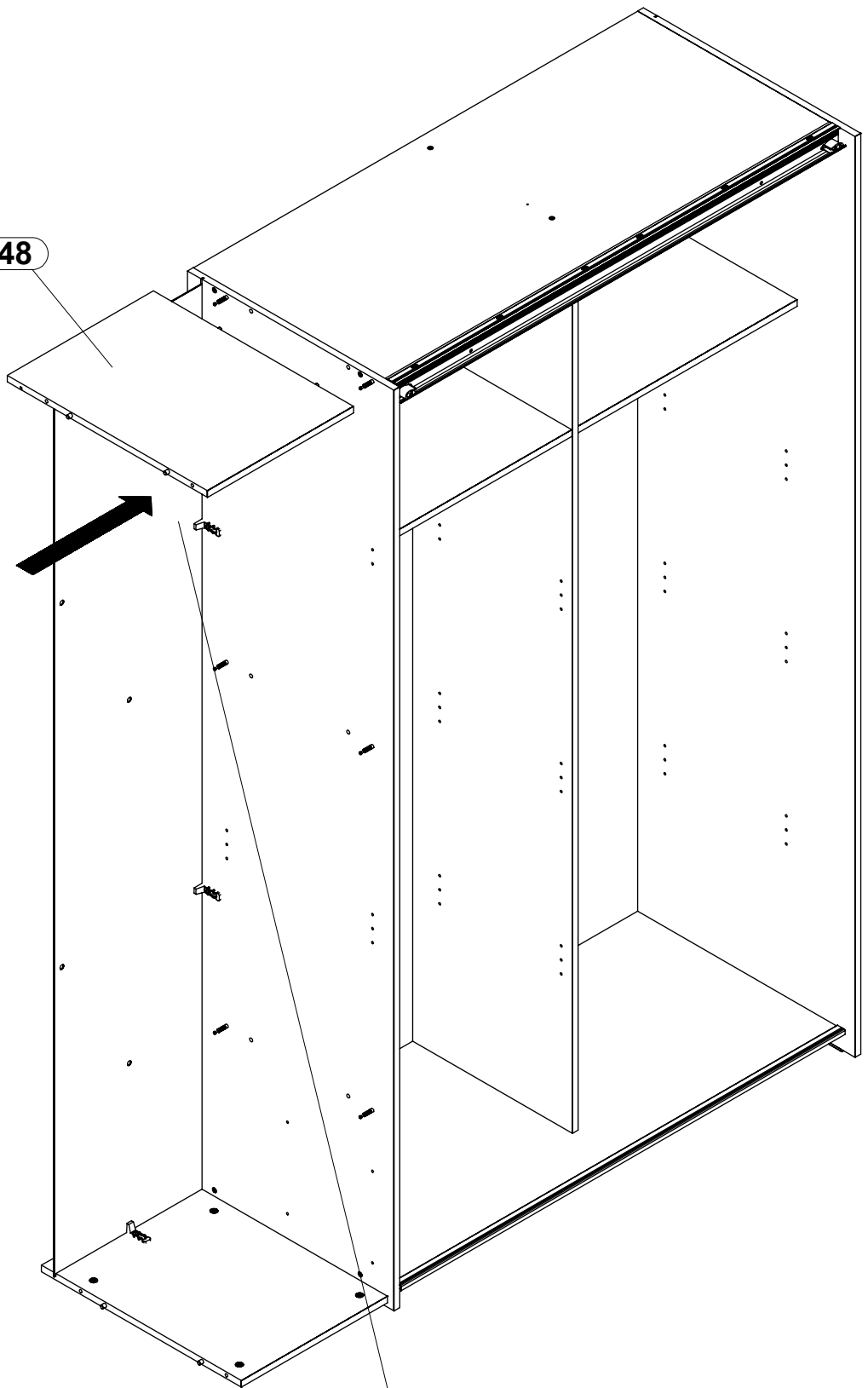
S31347-N

3x

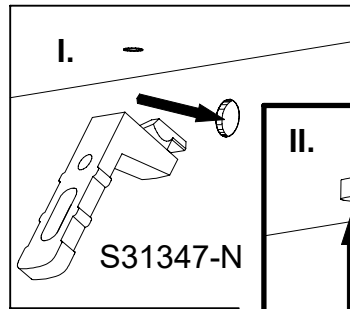
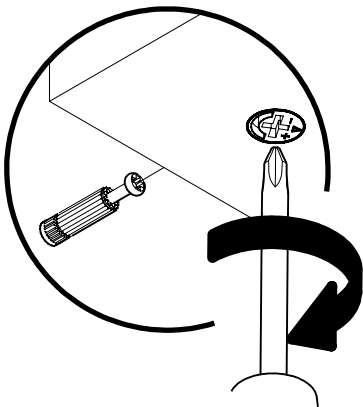


S30111

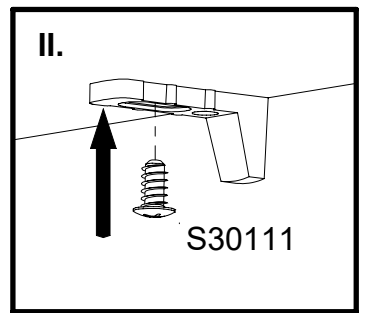
328648



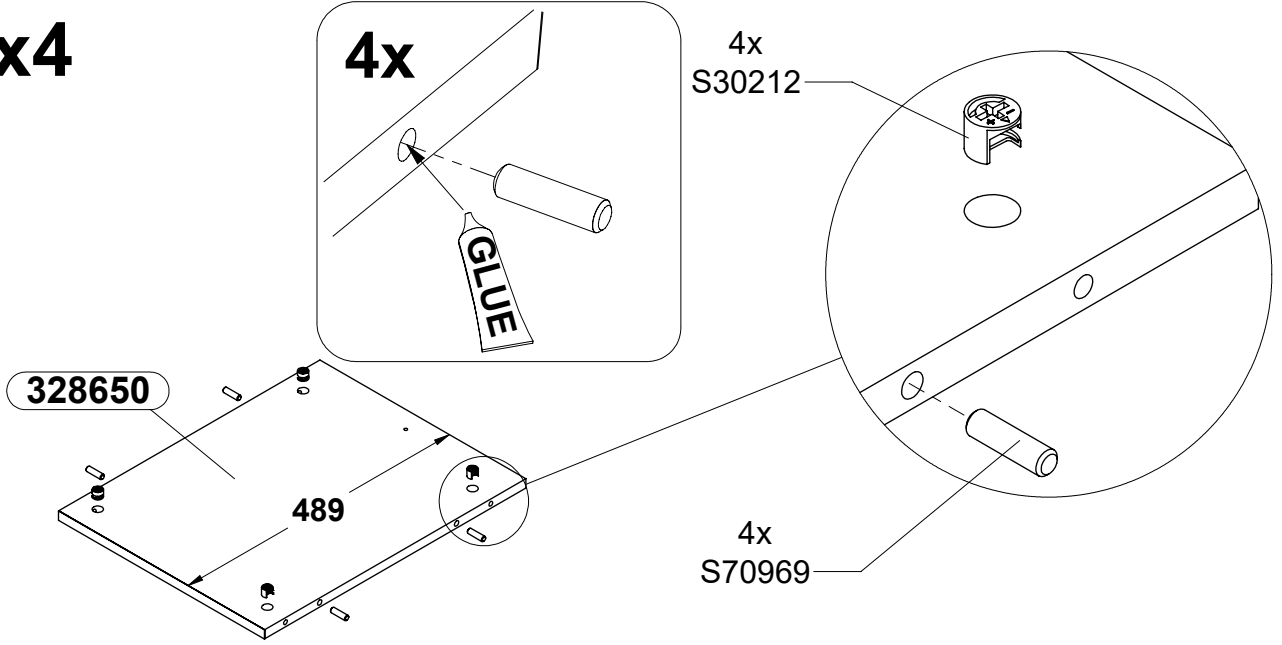
2x



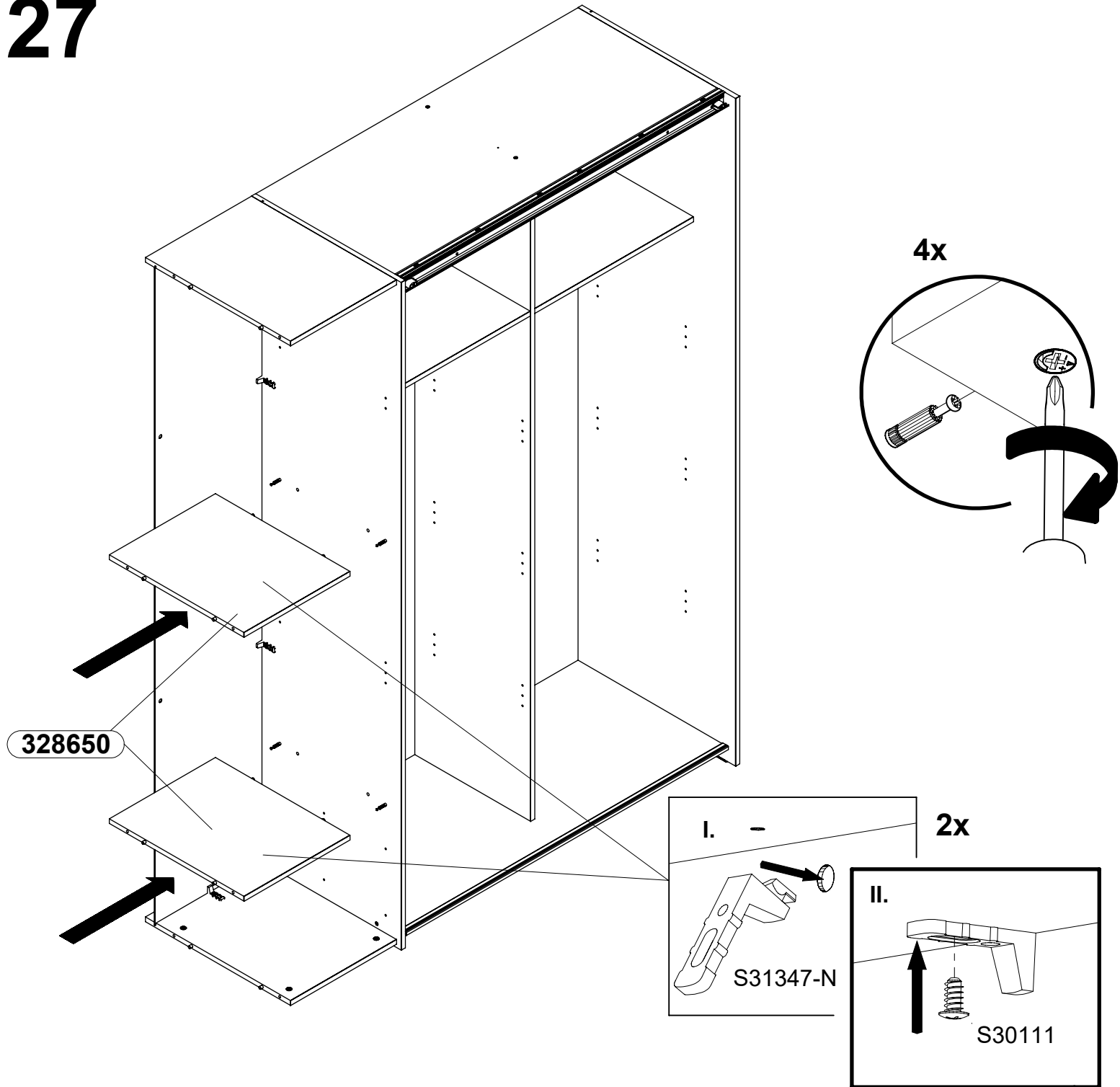
1x

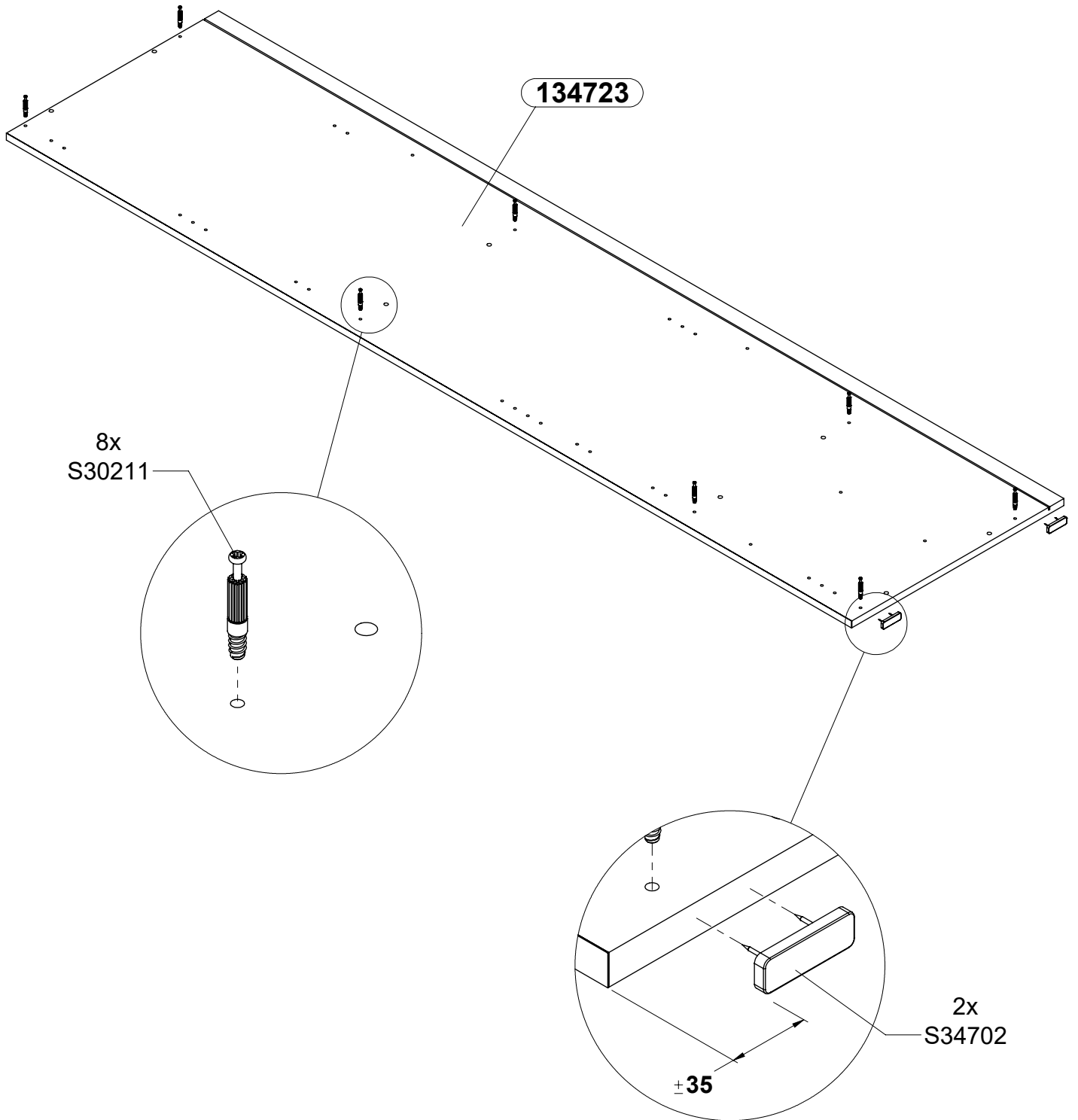


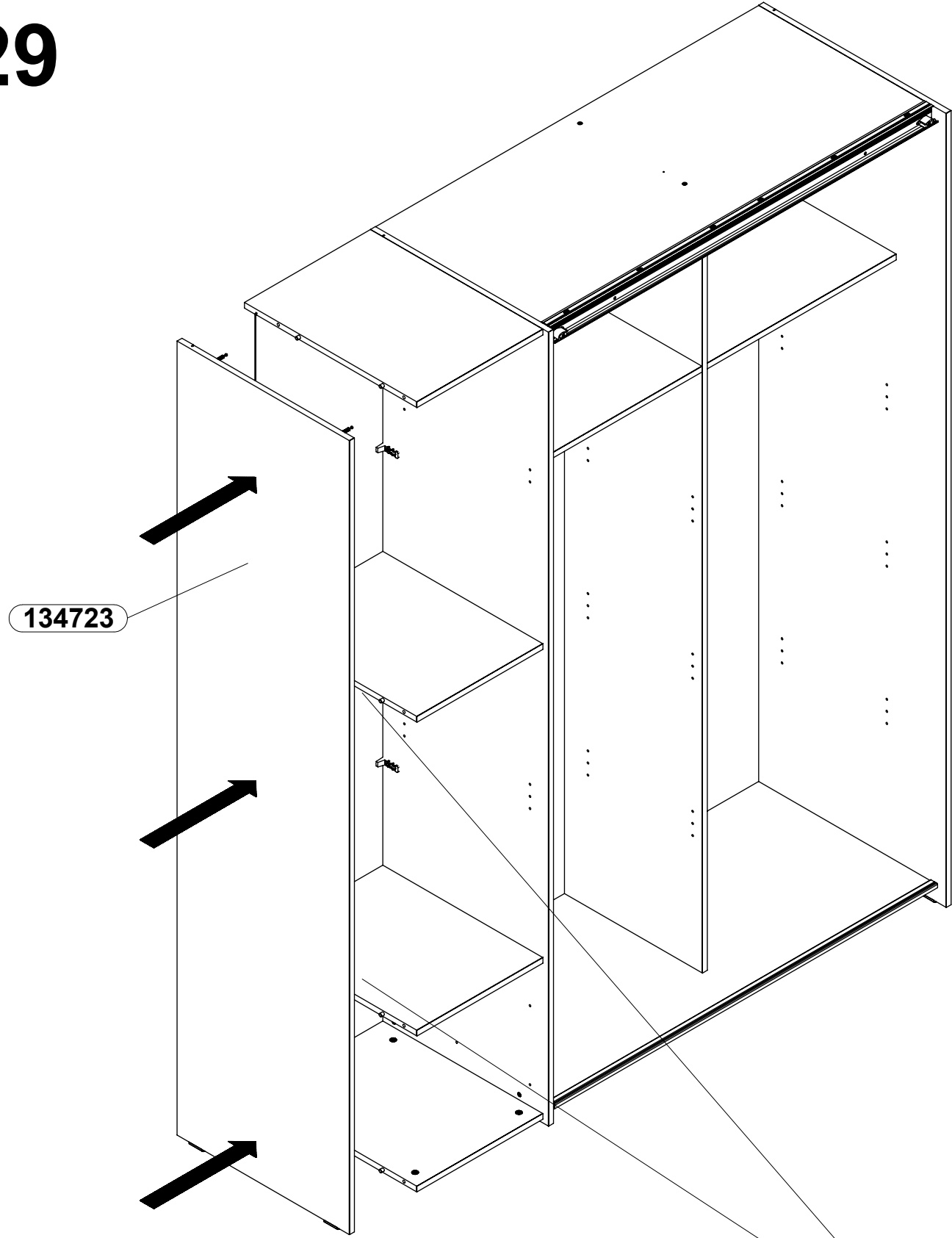
26 x4



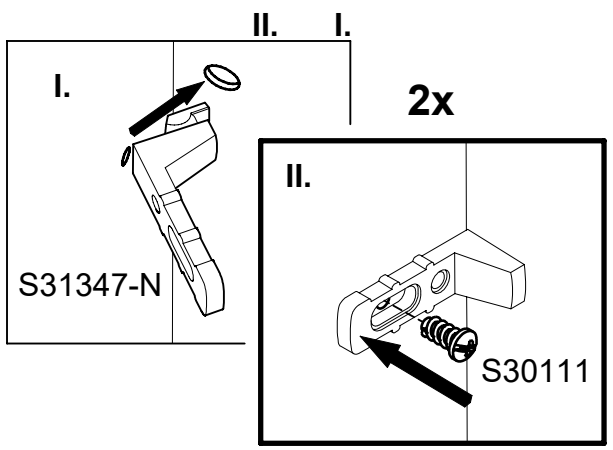
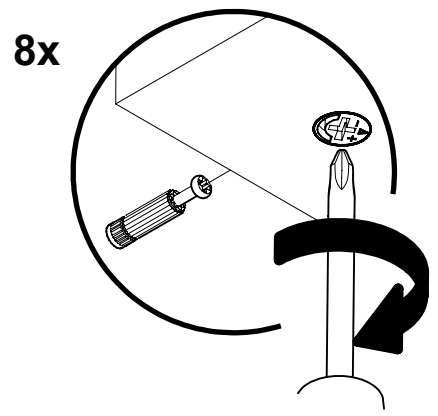
27

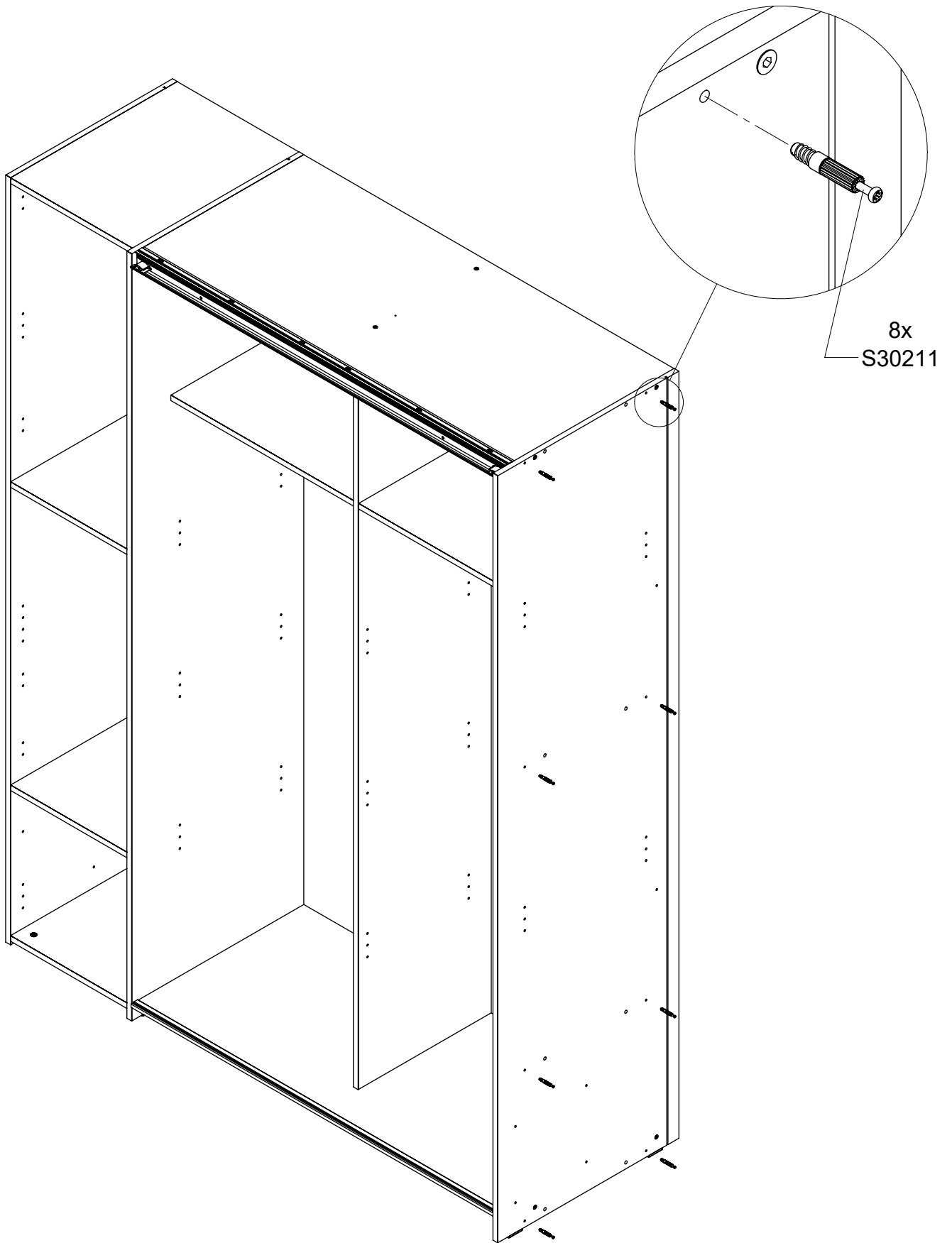




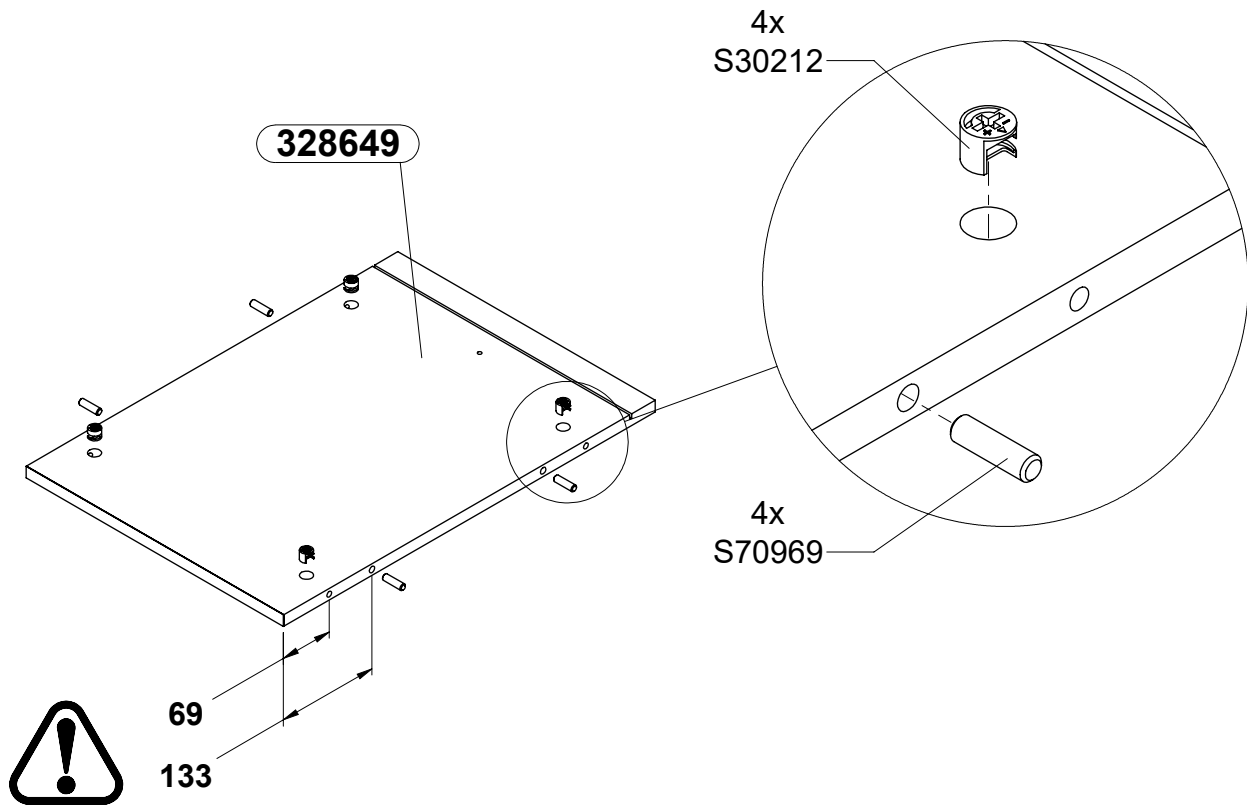


134723

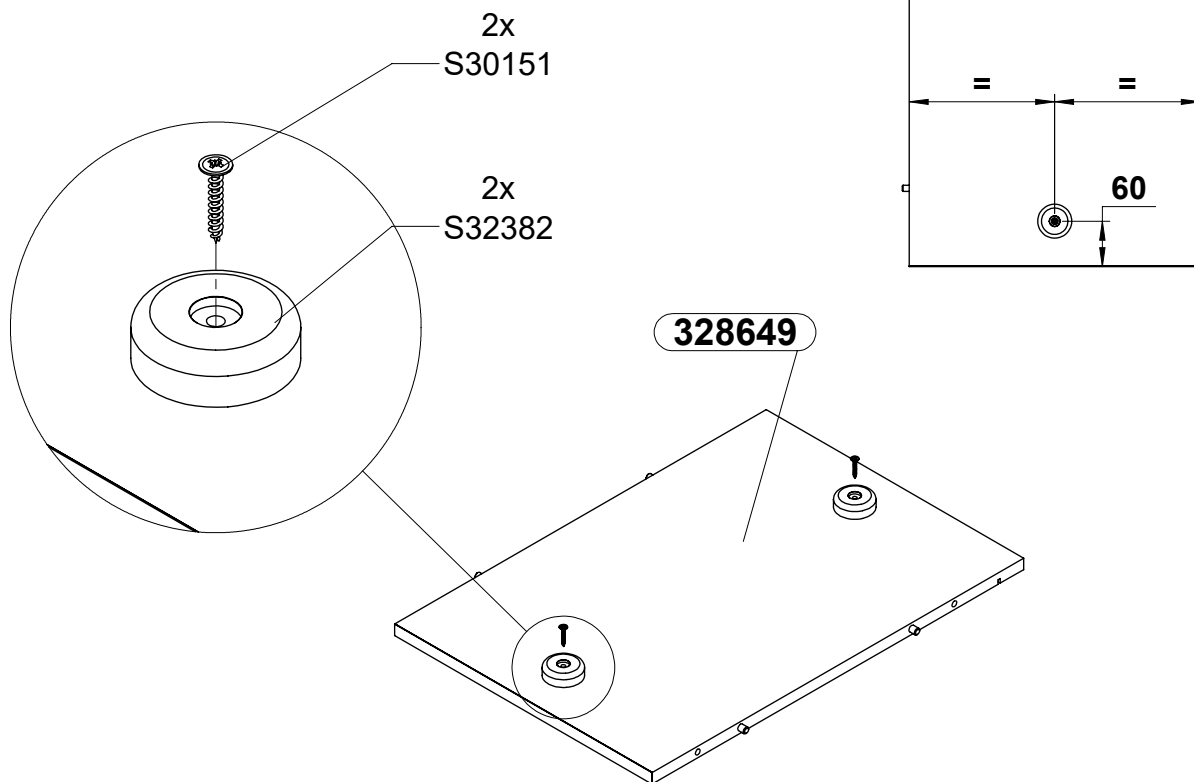
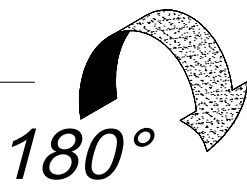




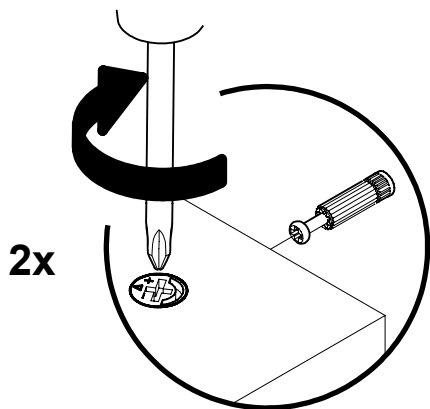
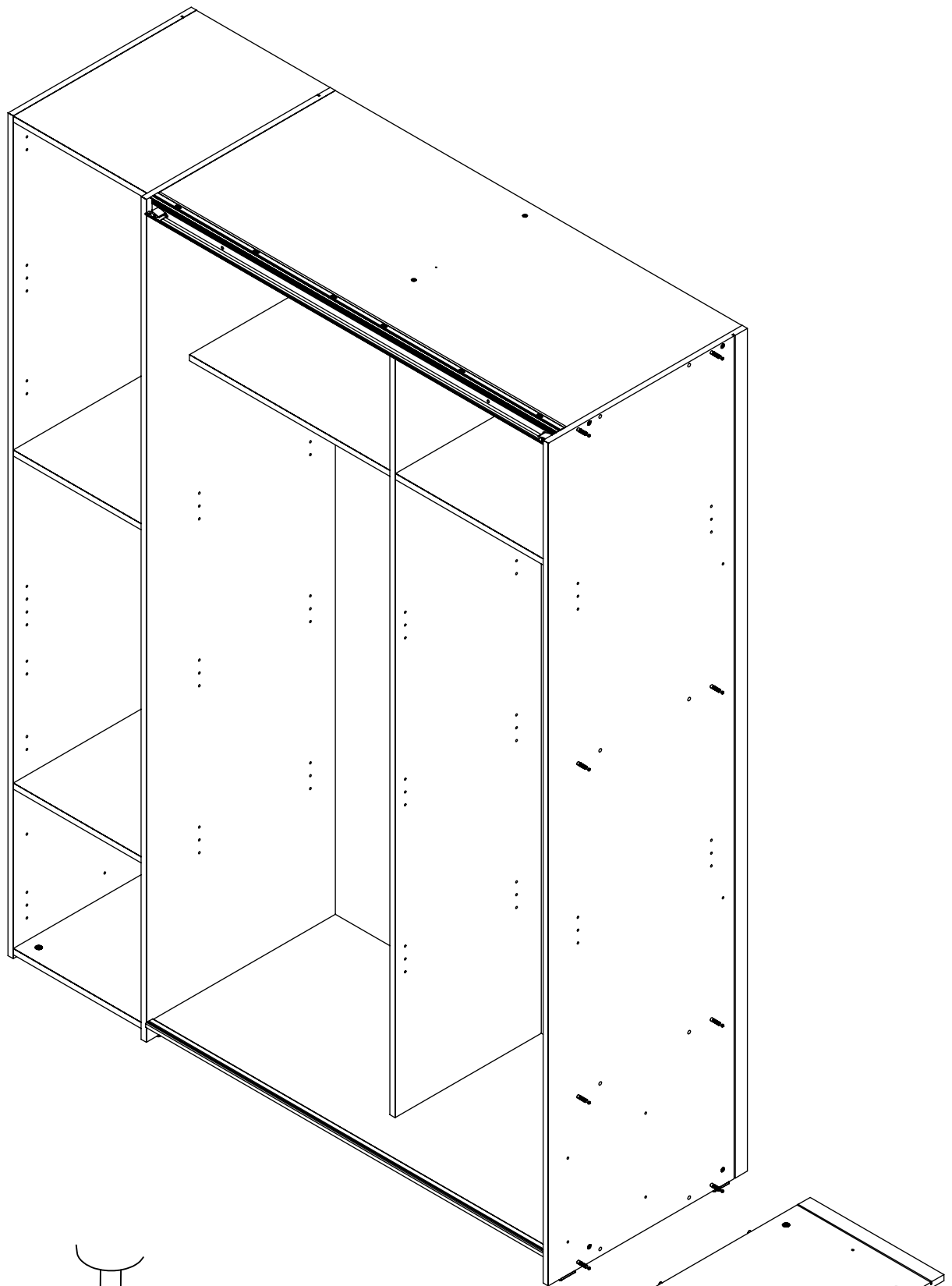
31x2



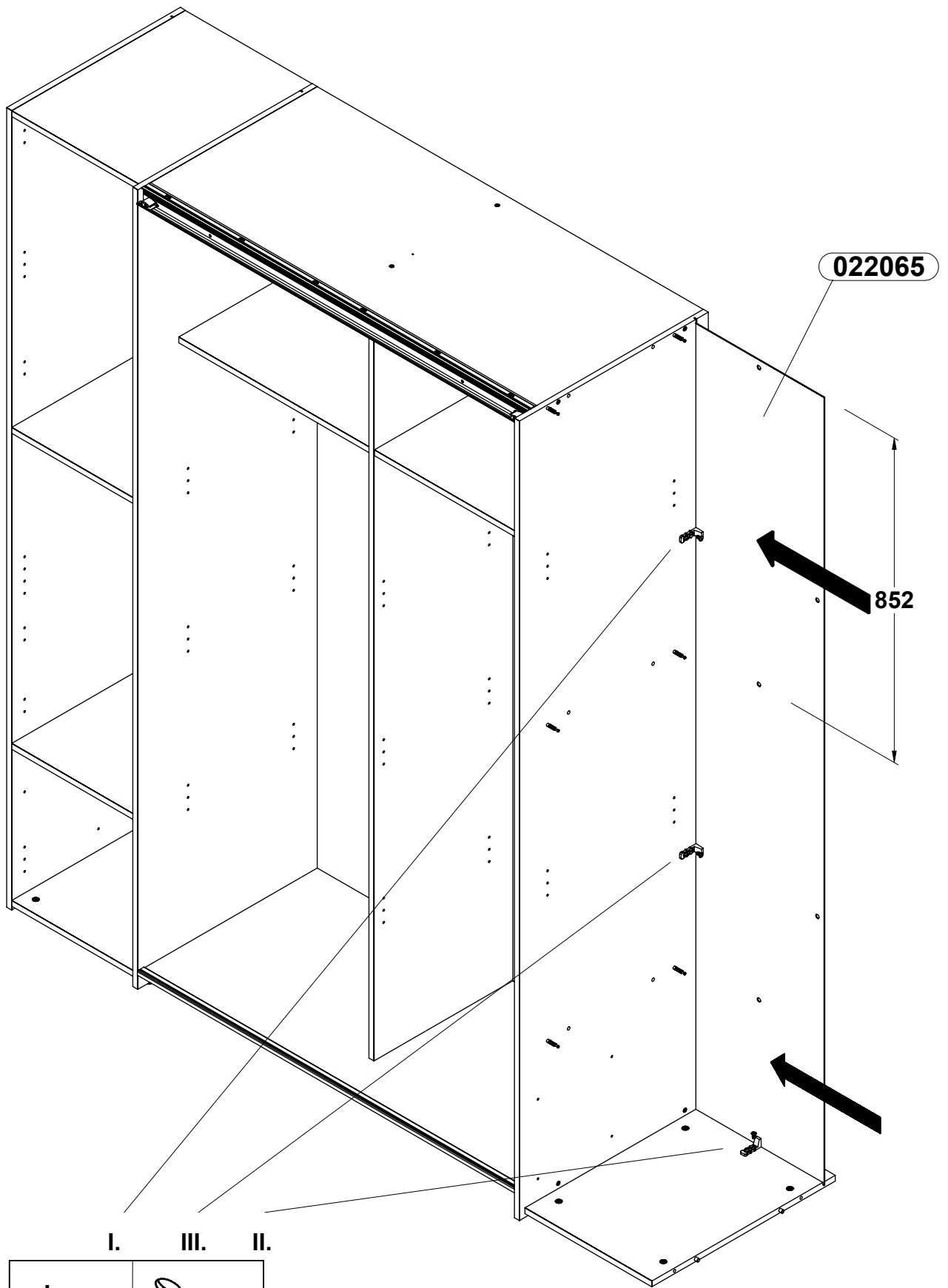
32x1



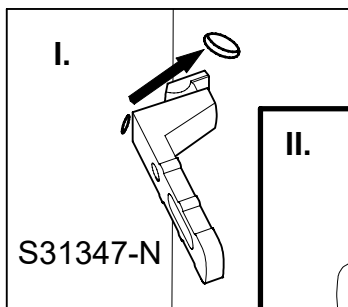
33



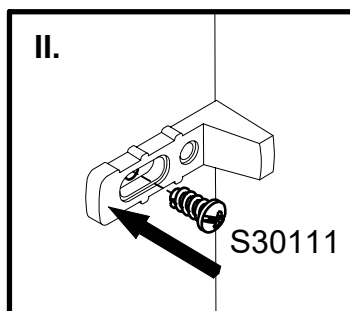
328649



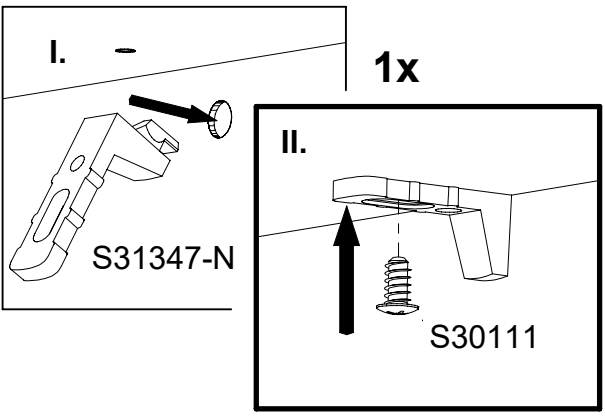
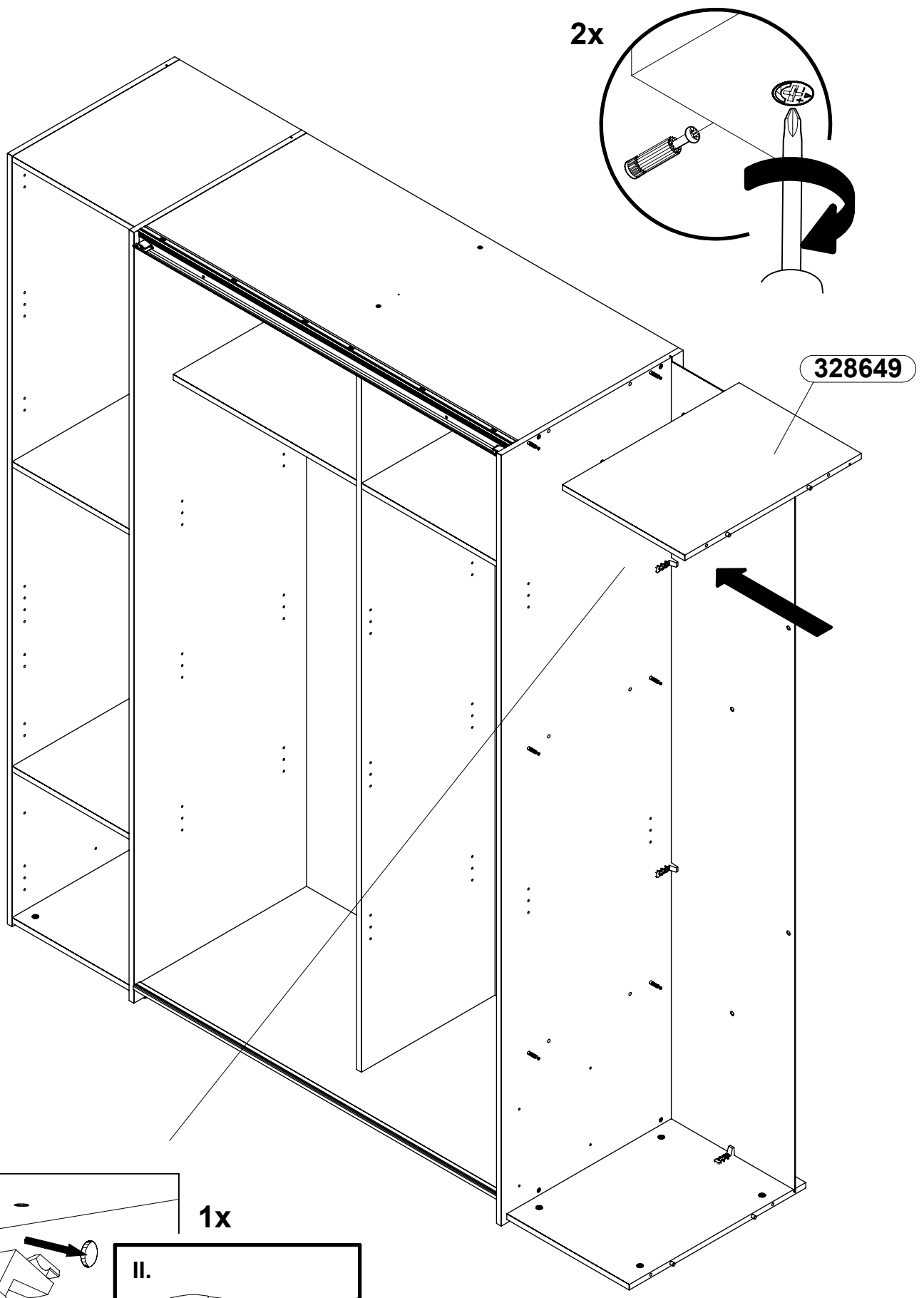
I. III. II.

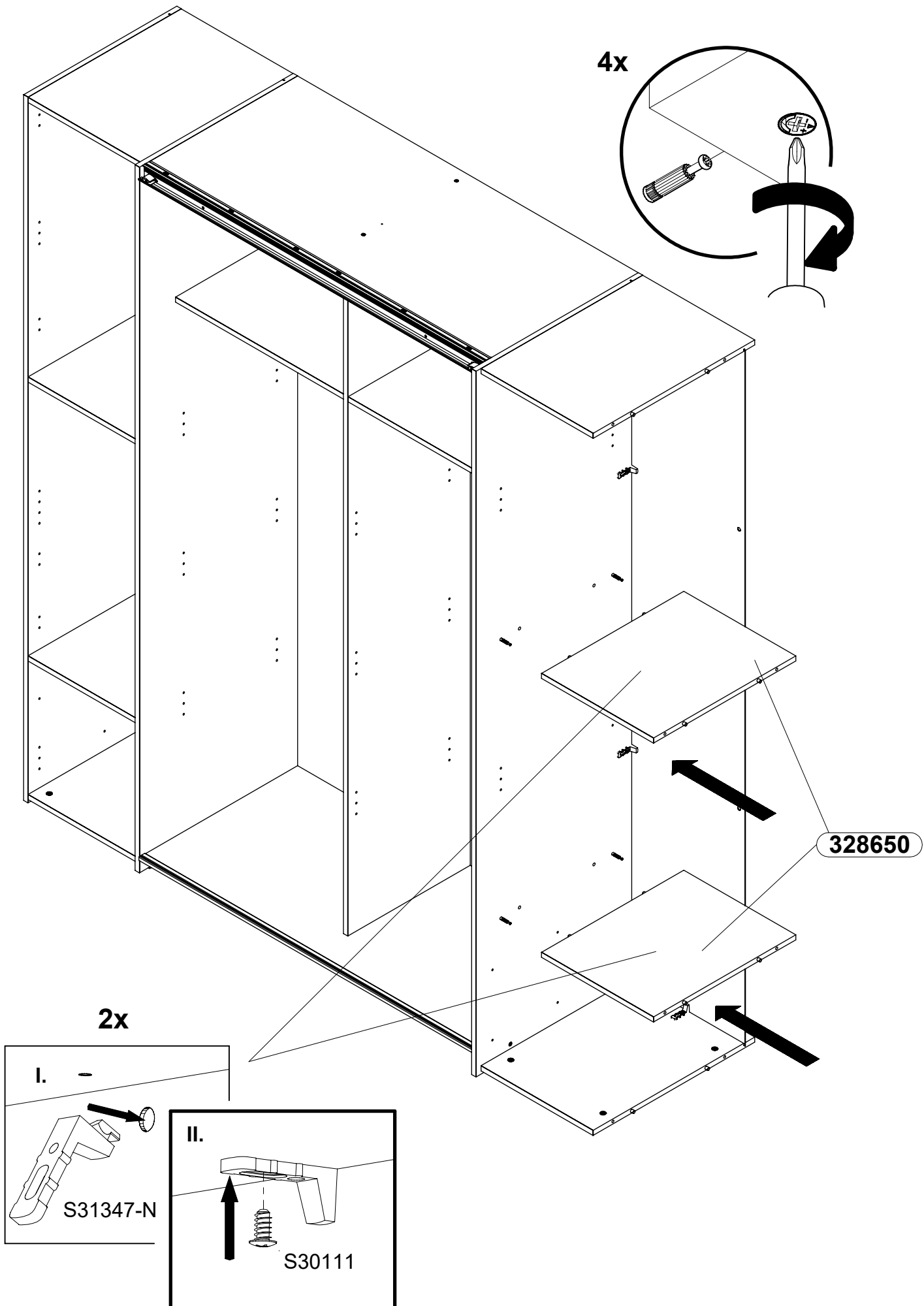


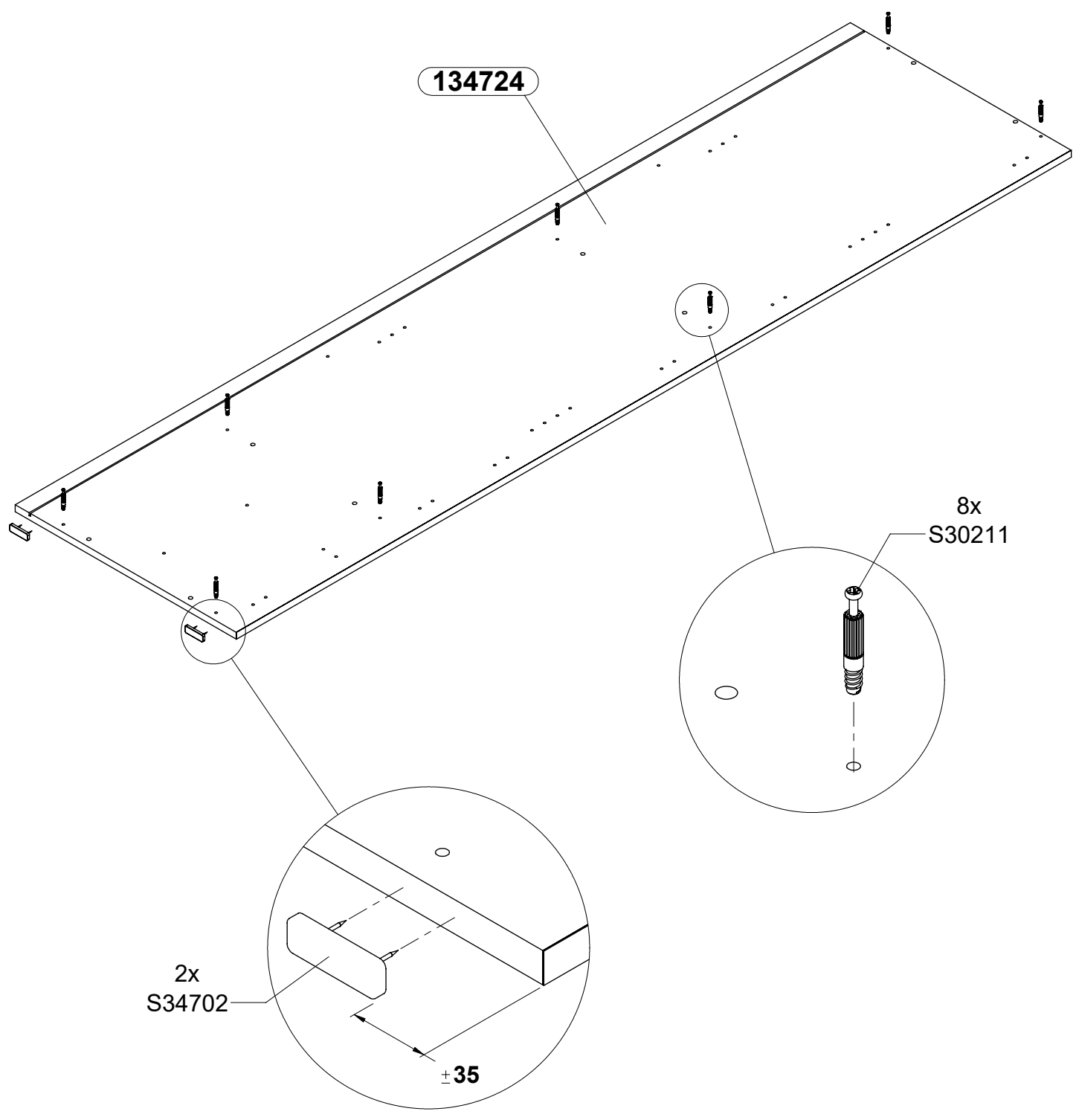
3x

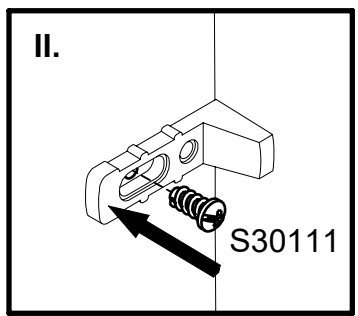
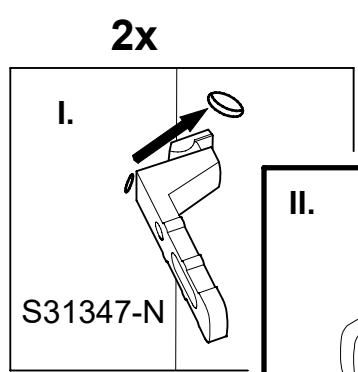
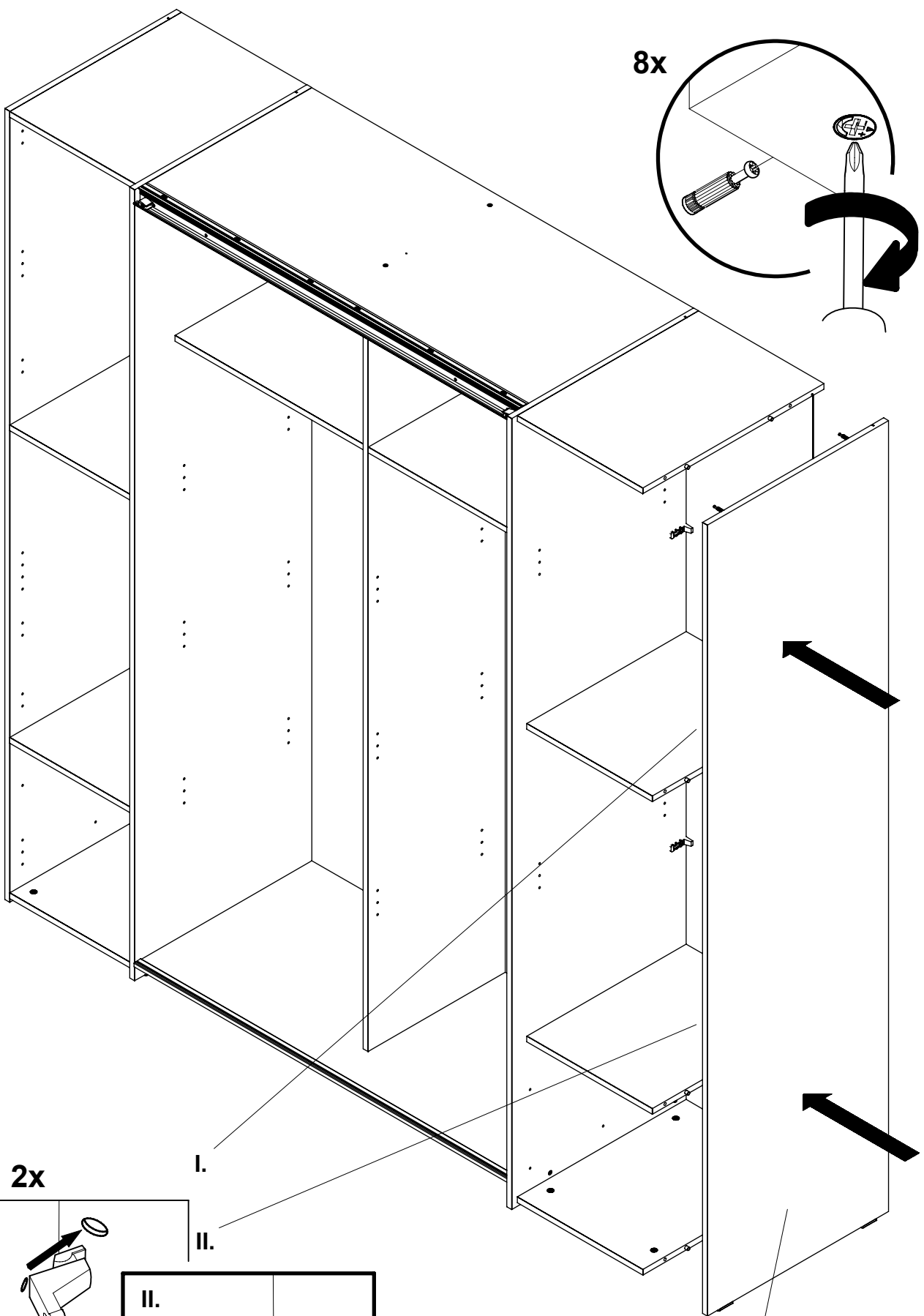
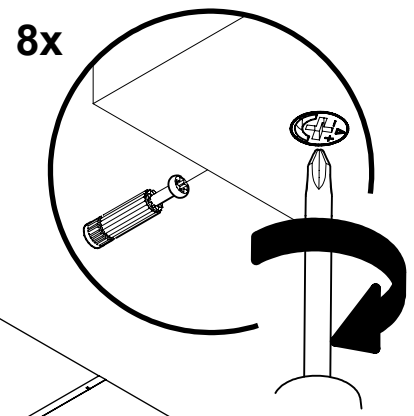


35



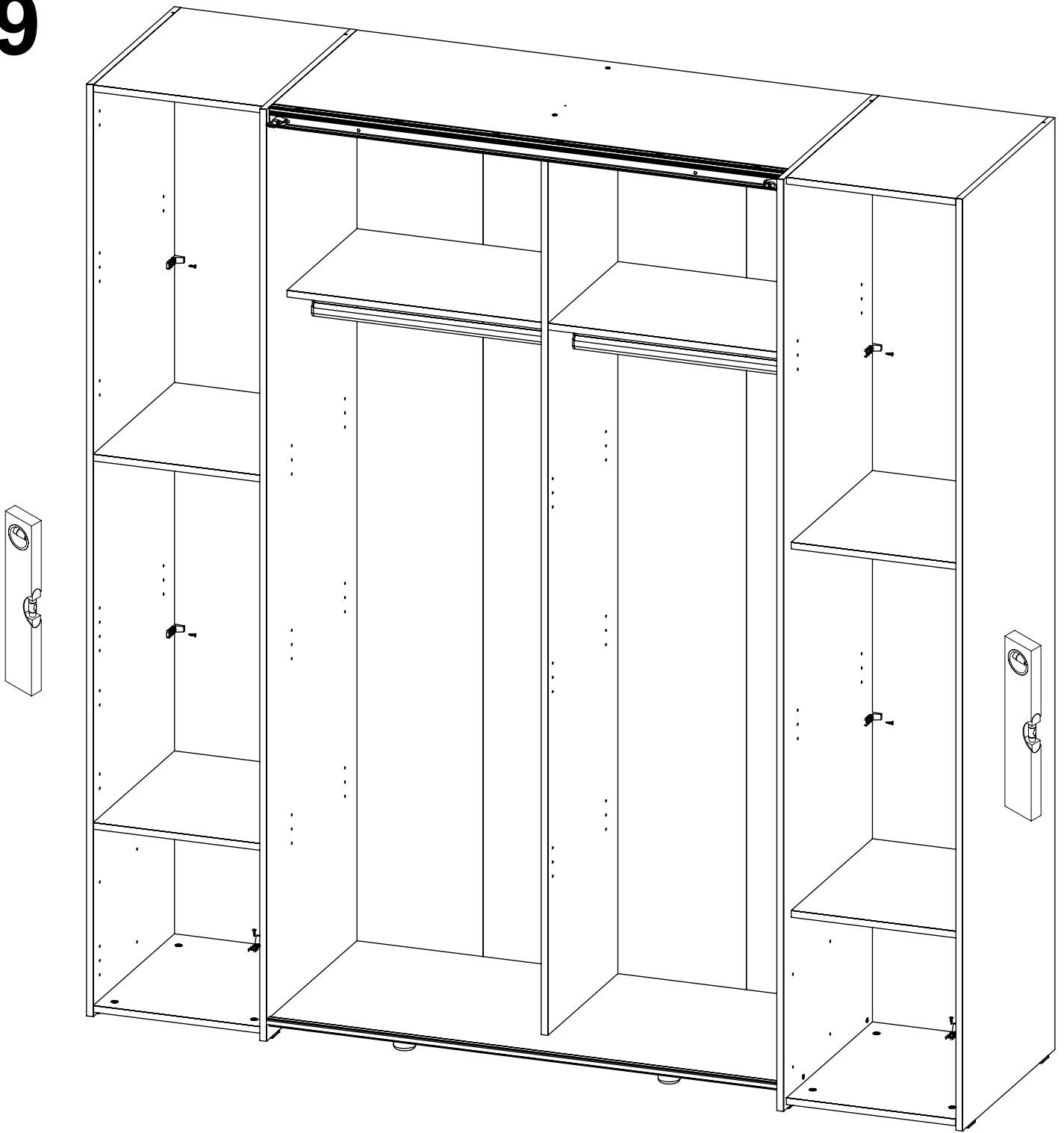




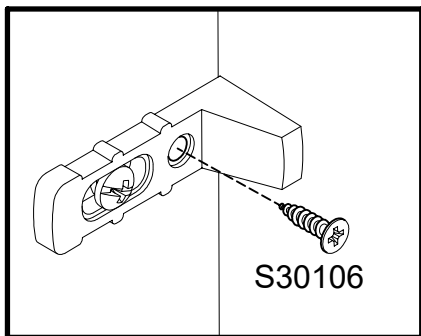


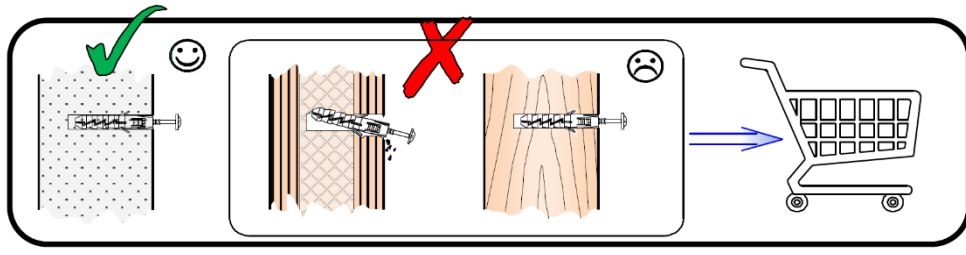
134724

39



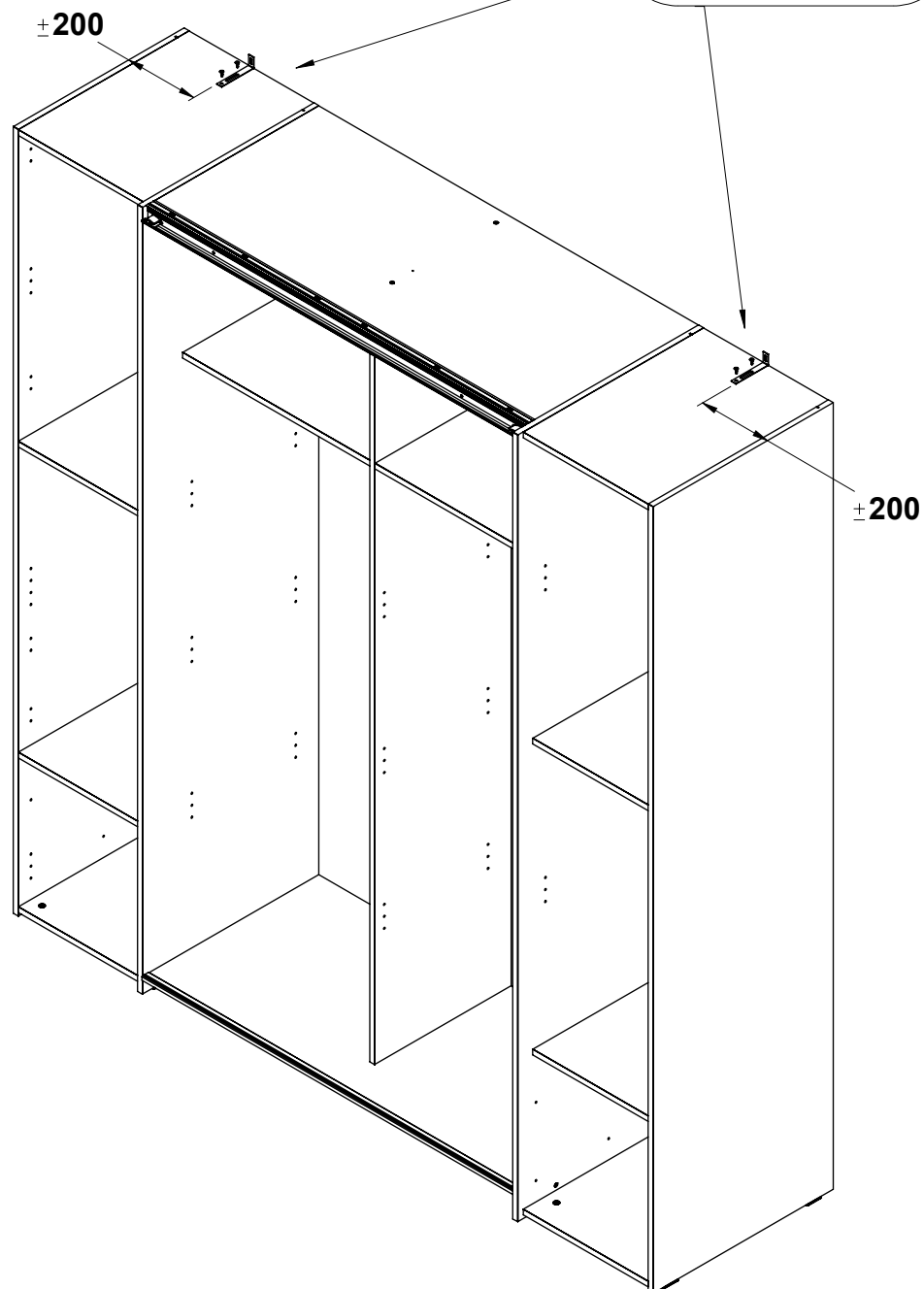
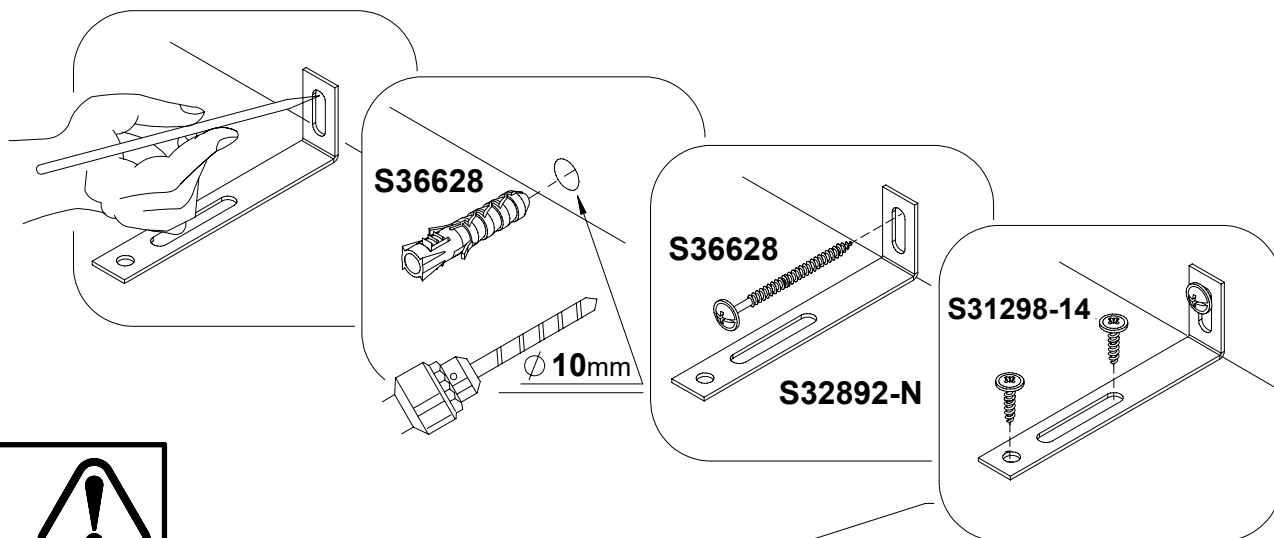
16x



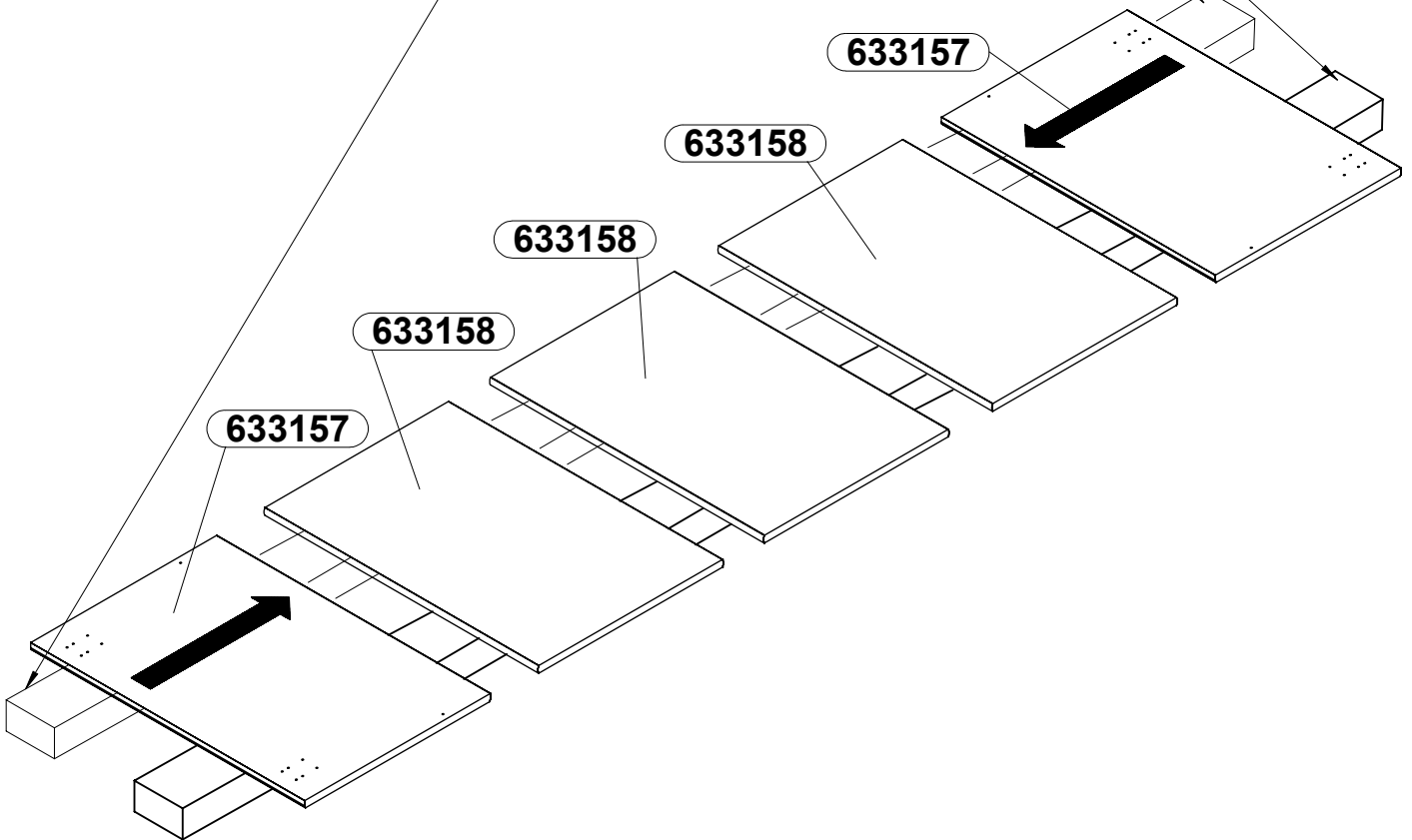
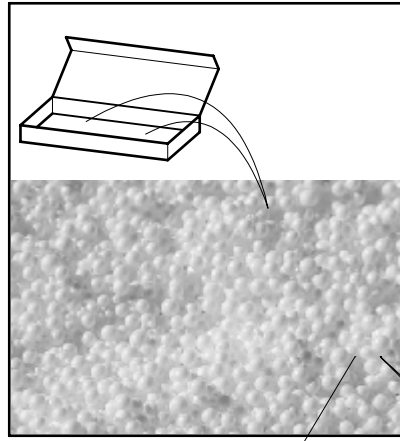


-EN- Before suspending or fixing furniture to the wall (in order to prevent falling over), check the type and strength of the wall. Select wall plugs and screws appropriate for the given type of the wall. In the case of doubts, contact a specialist. The installation must be performed by a competent person. **WARNING!!! If the rawlplugs with screws are attached to the product, then they are intended only for walls made of solid and homogeneous materials.** ,

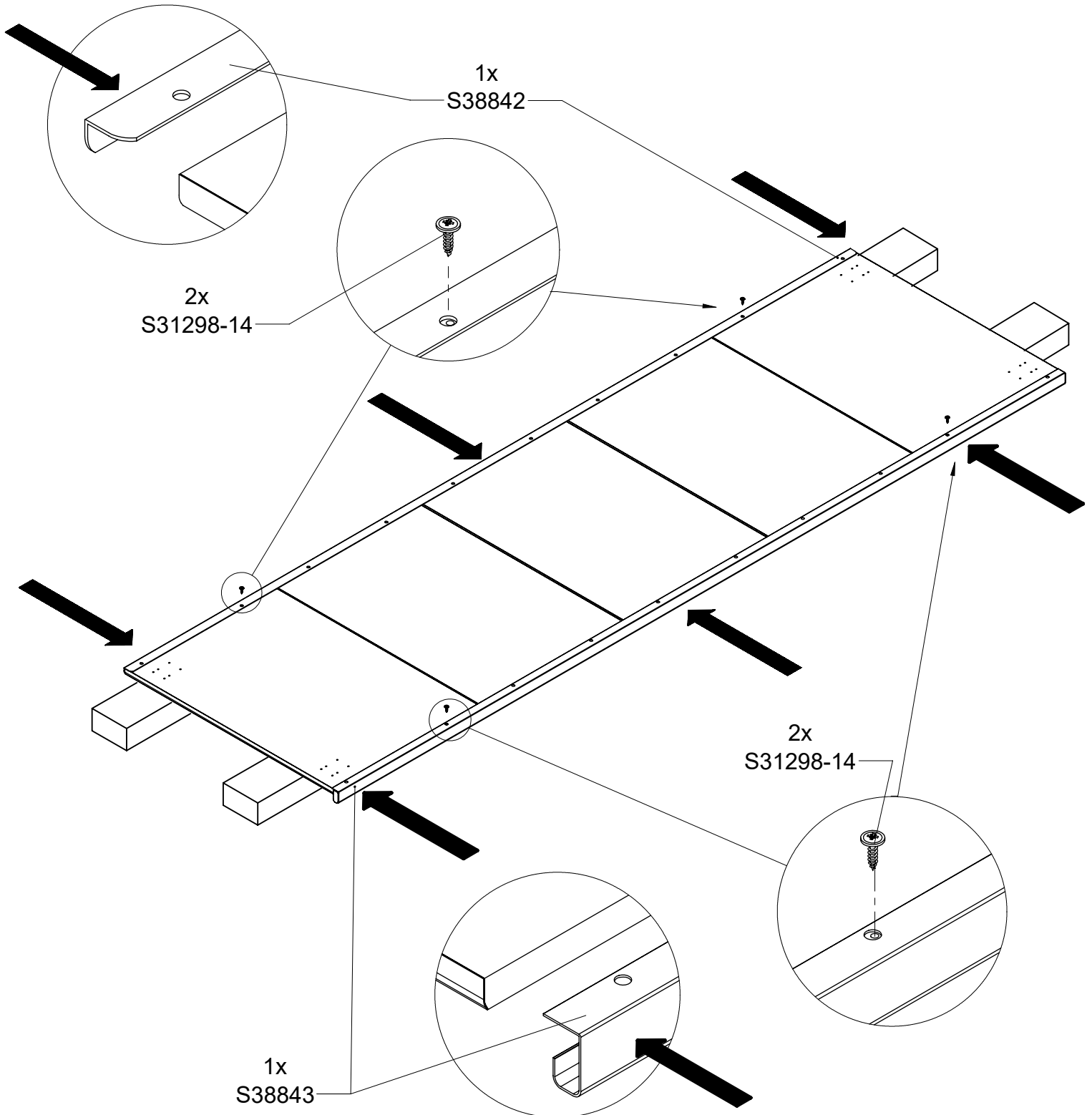
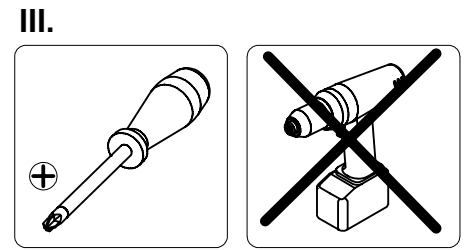
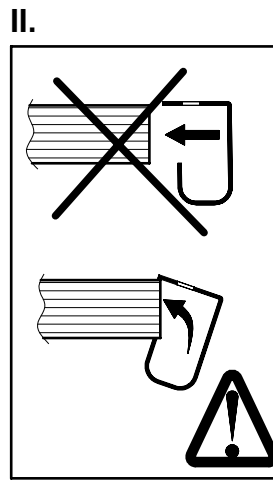
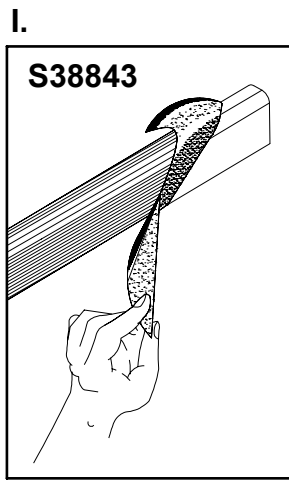
40



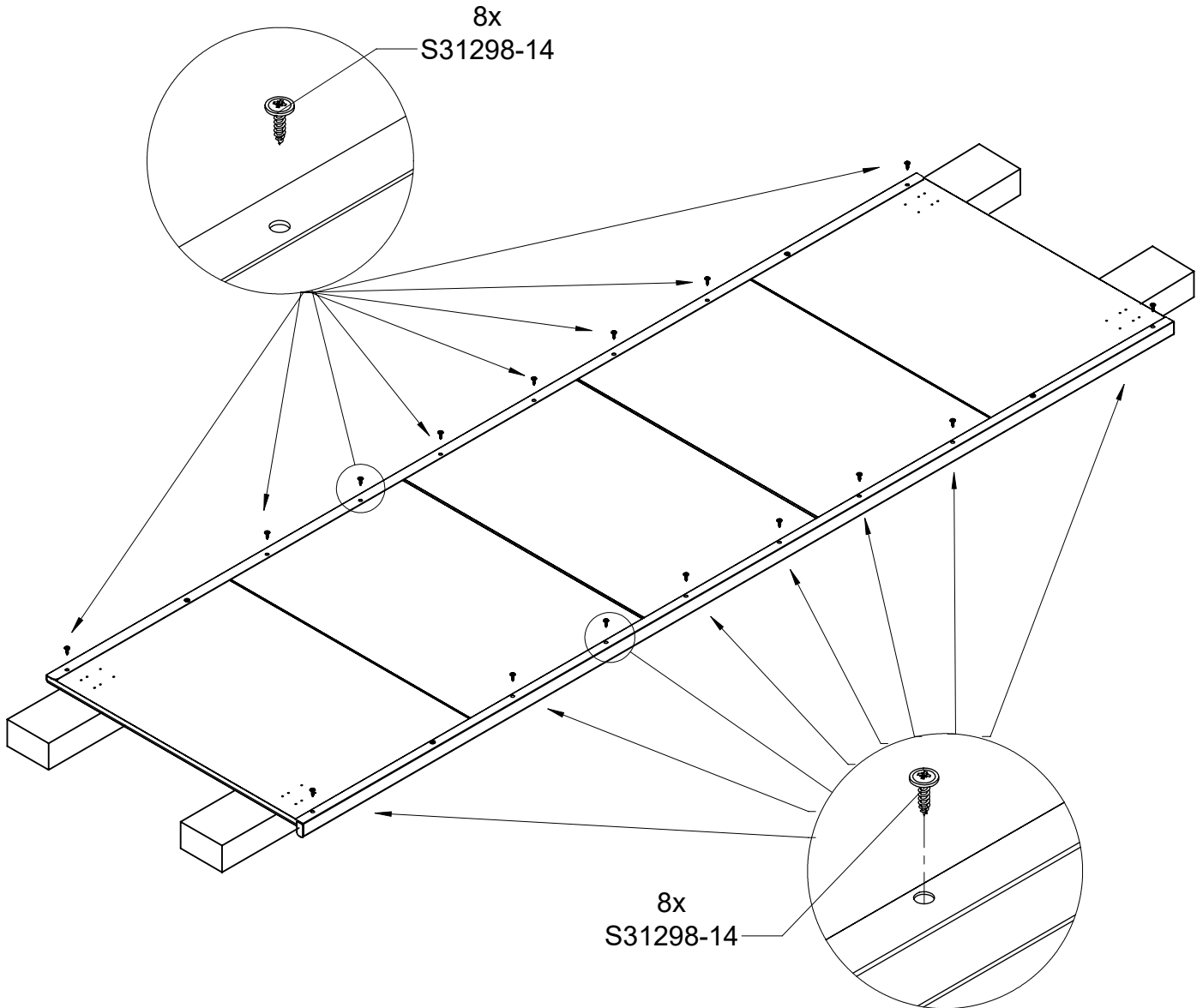
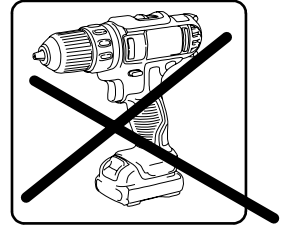
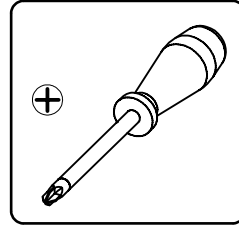
41 x1



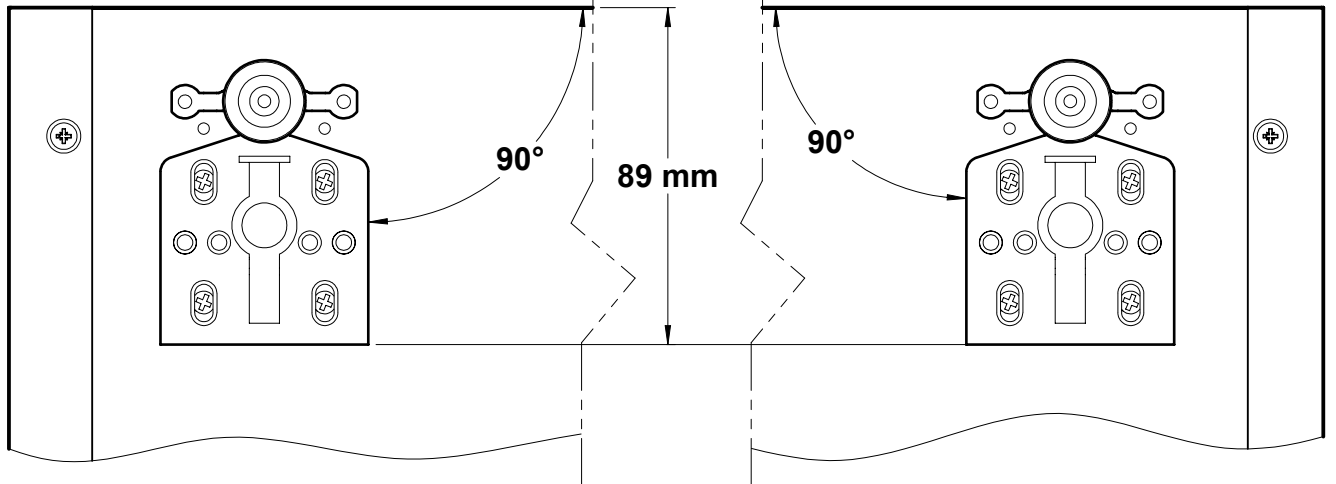
42 x1



43 x1

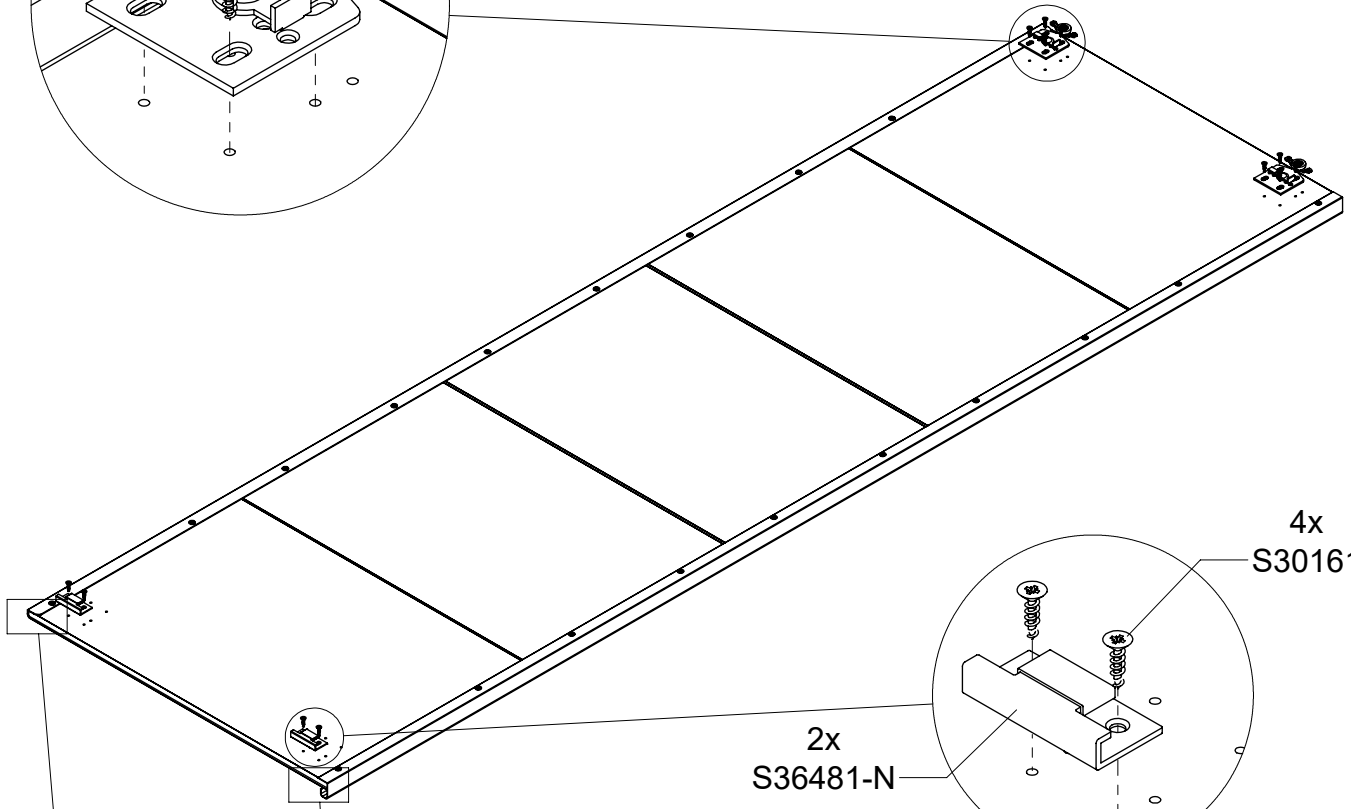
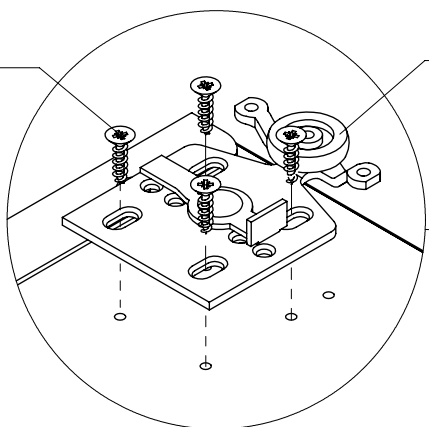


44 x1



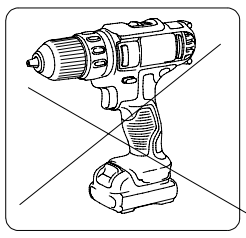
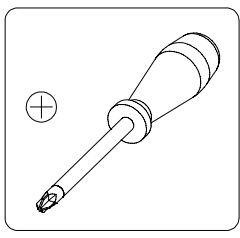
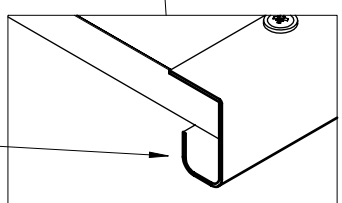
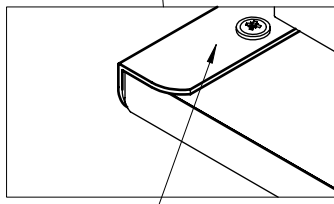
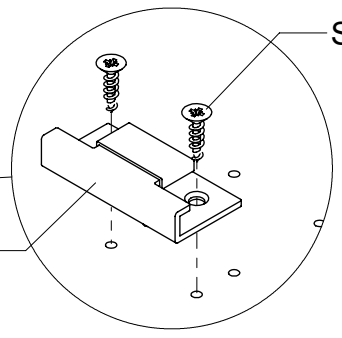
8x
S30161

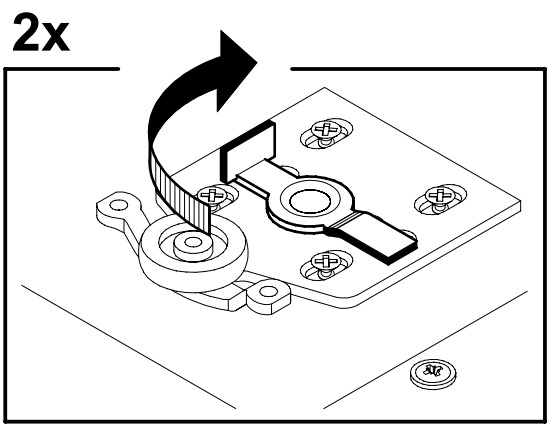
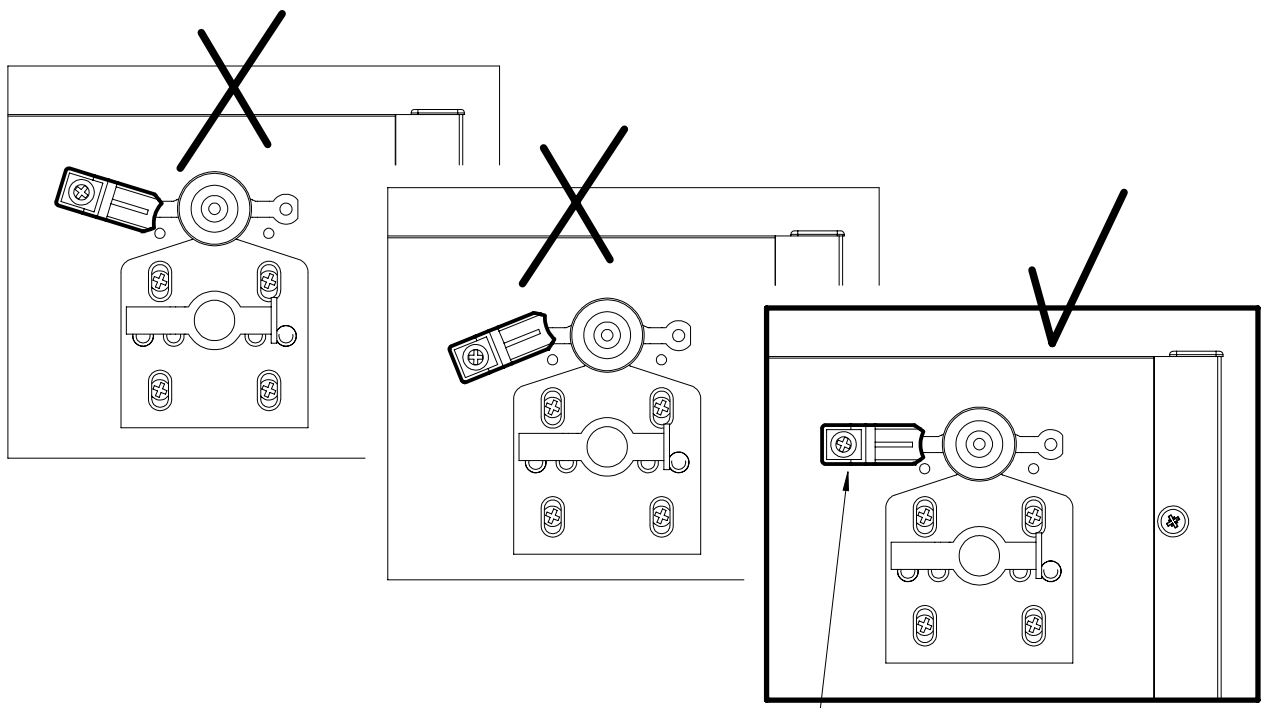
2x
S36479-N



4x
S30161

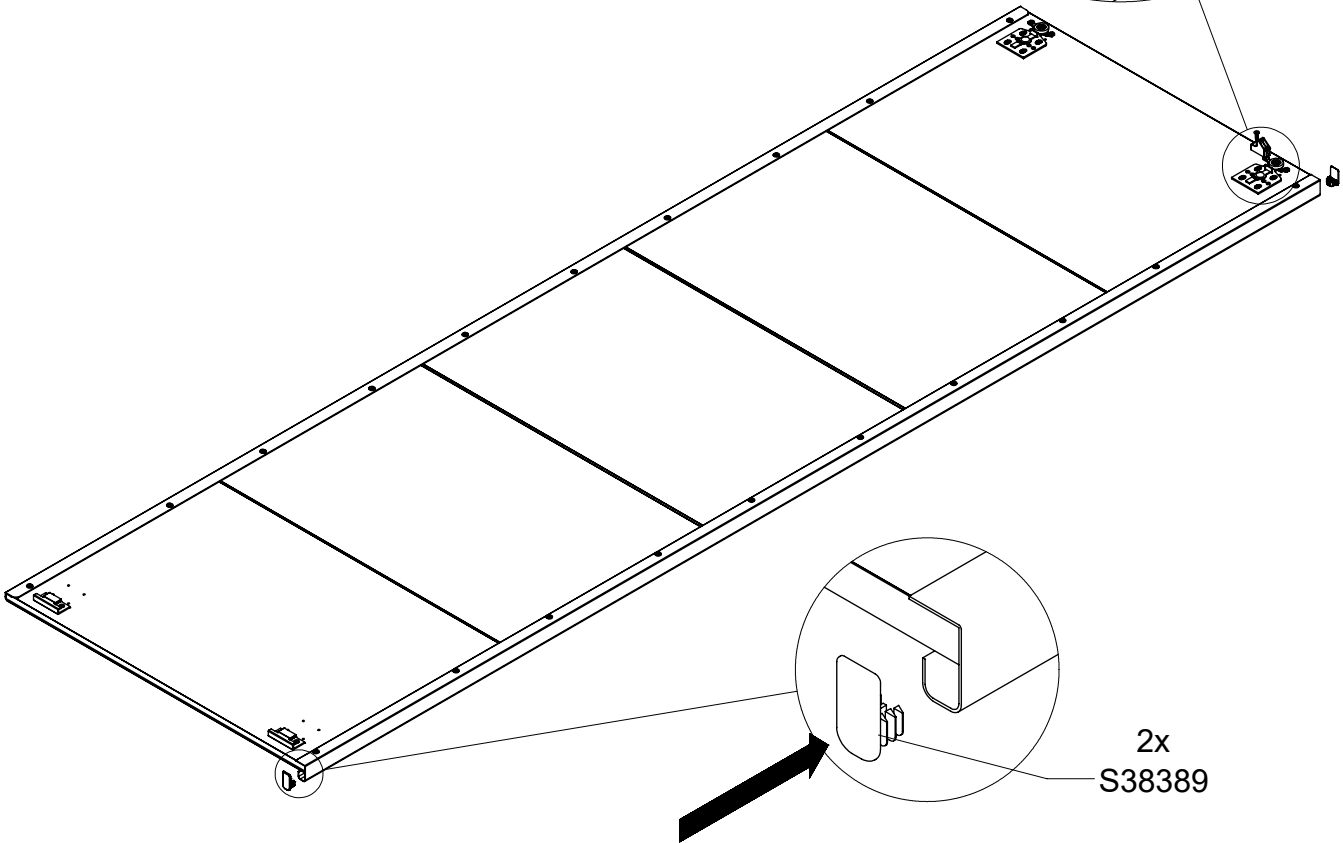
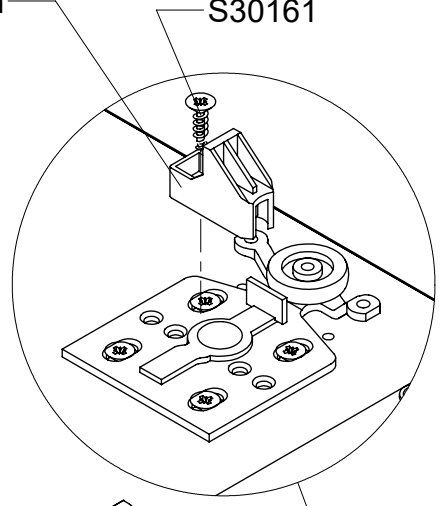
2x
S36481-N



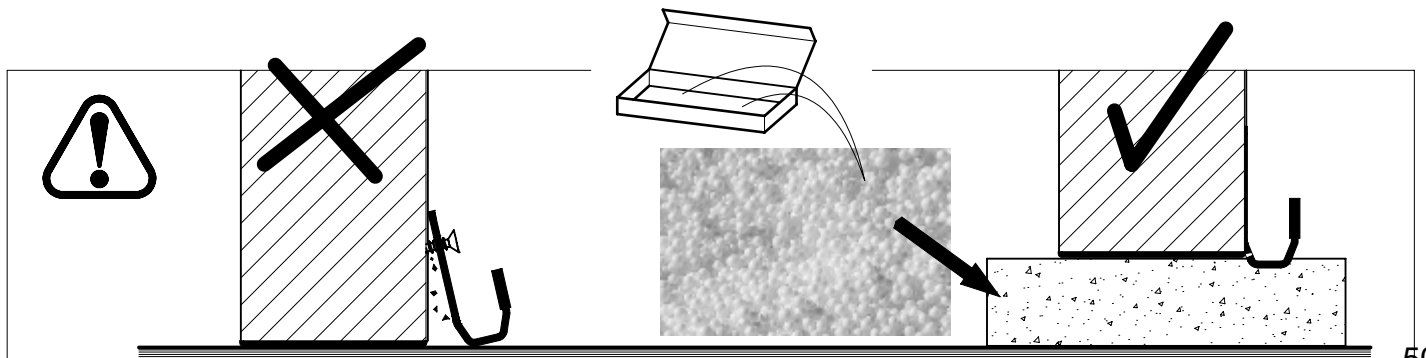
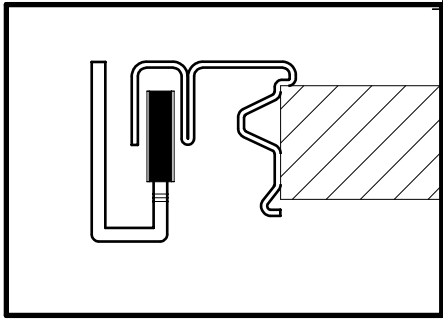
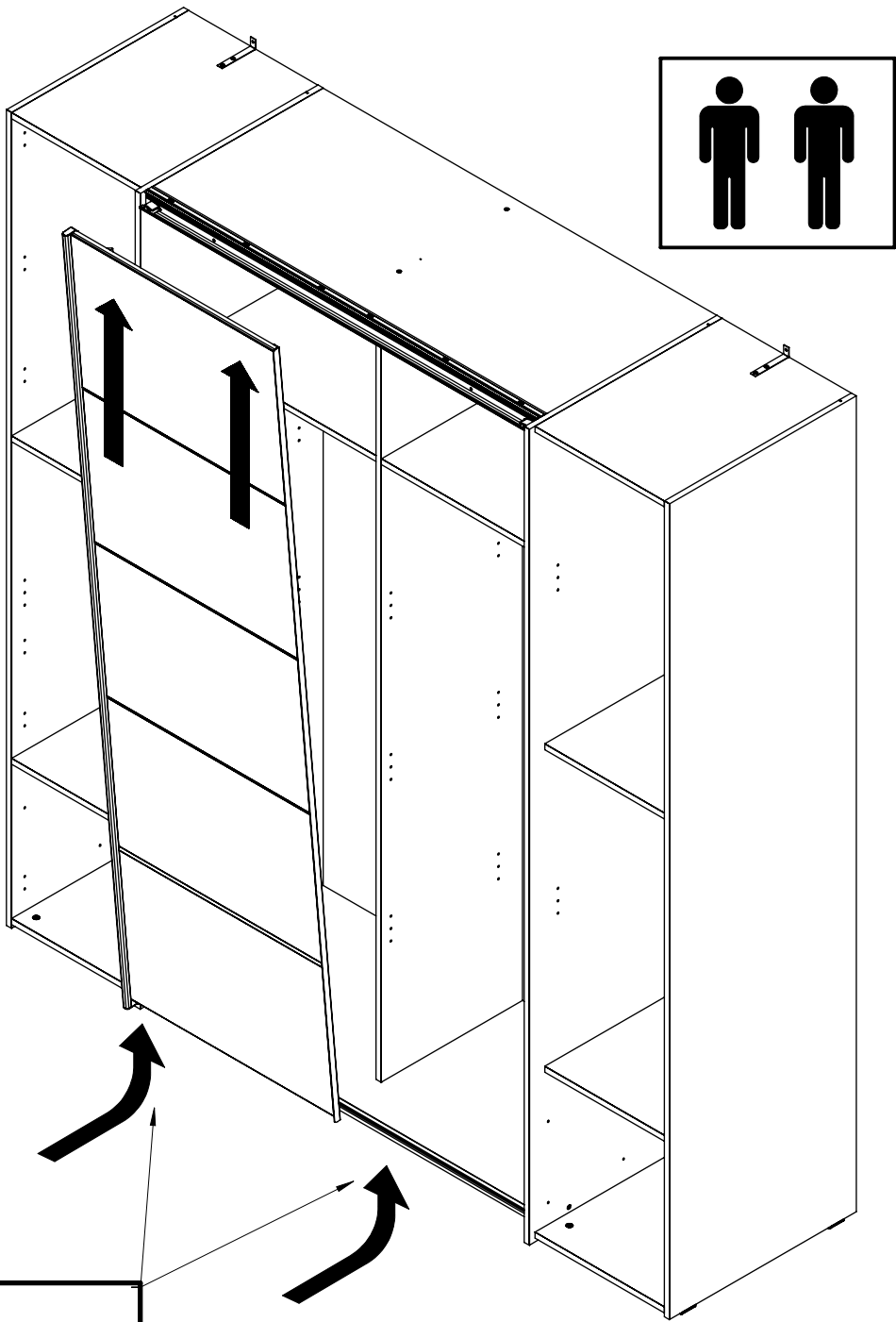


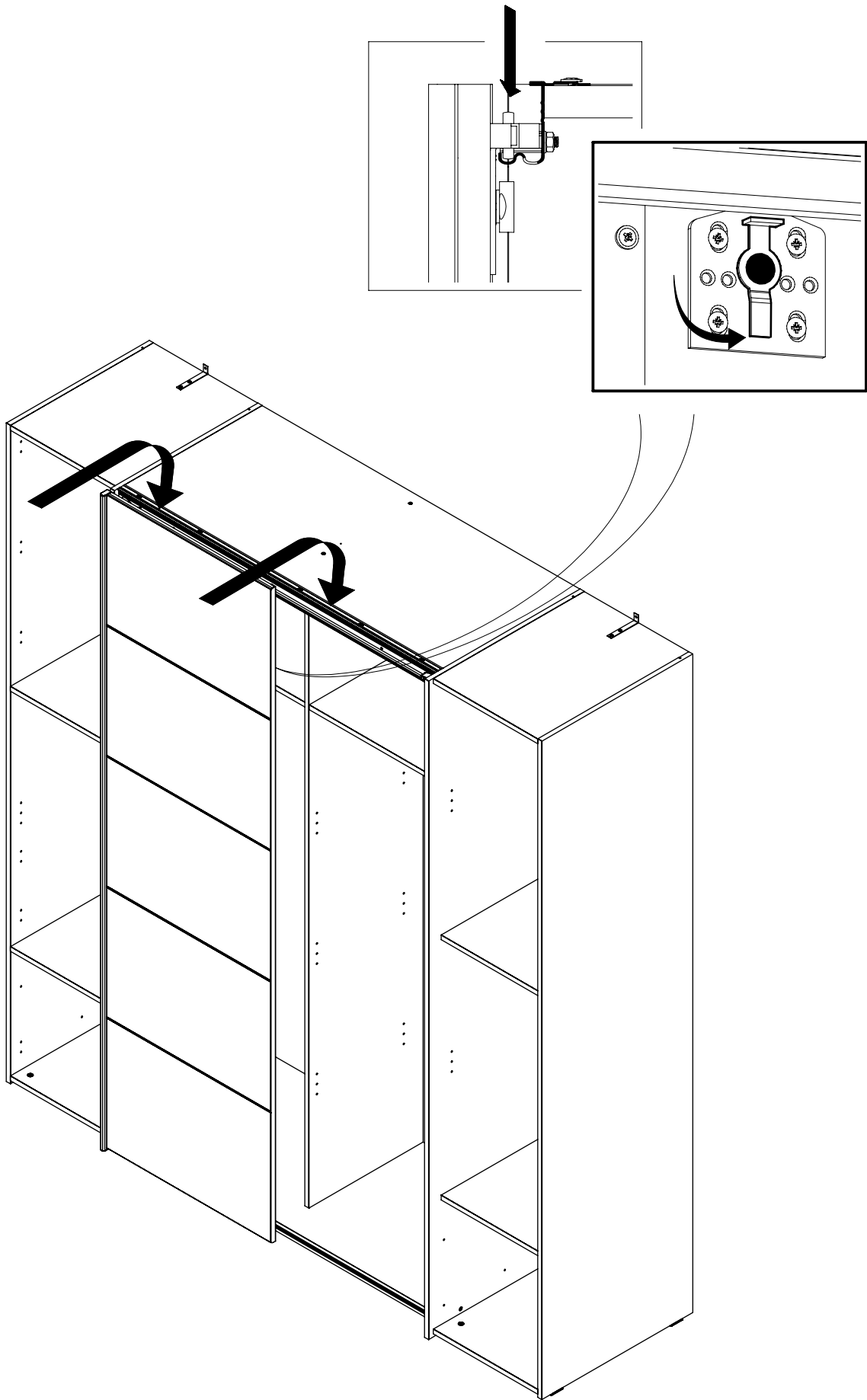
1x
S36483-N

1x
S30161

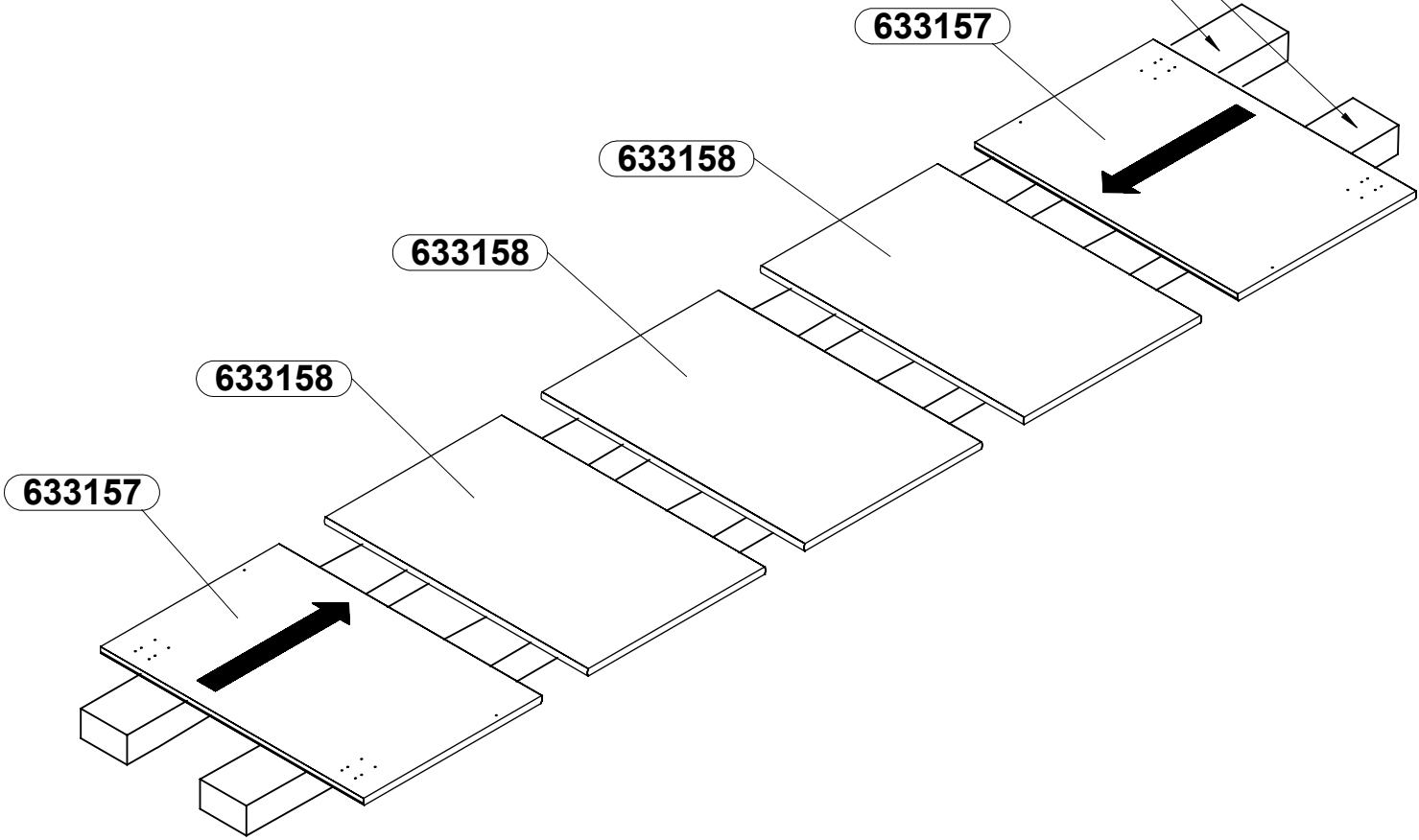
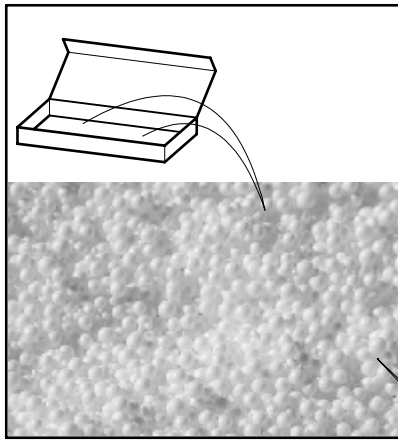


2x
S38389

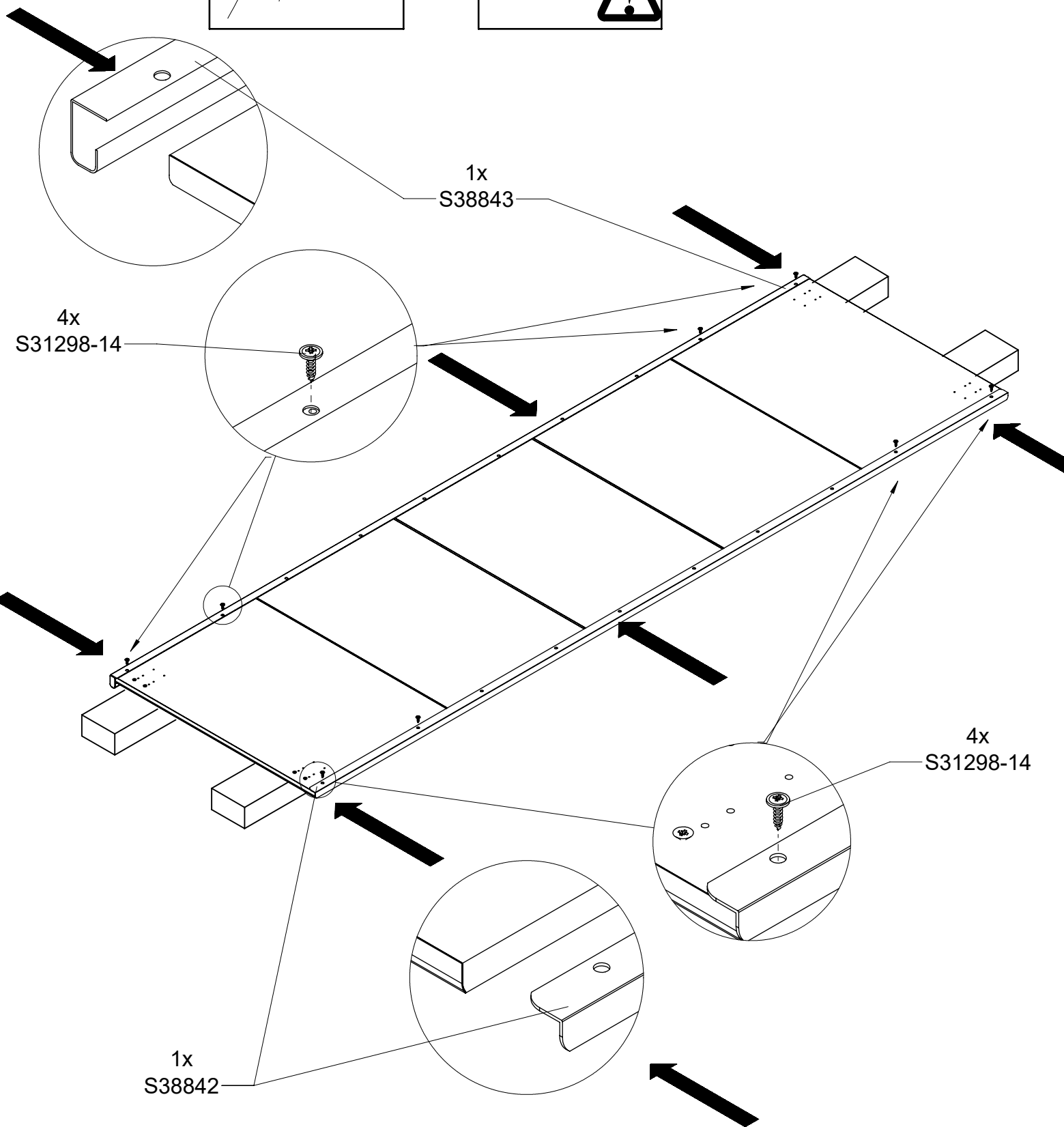
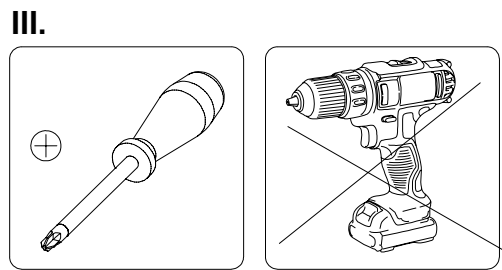
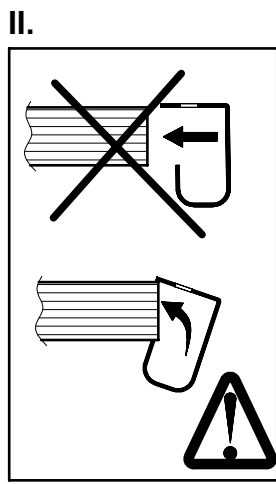
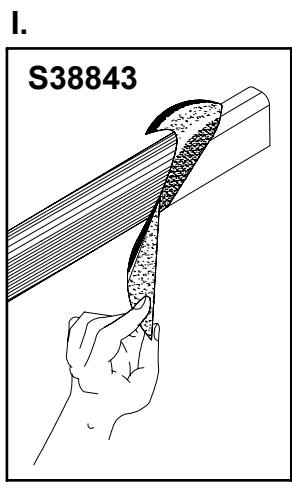




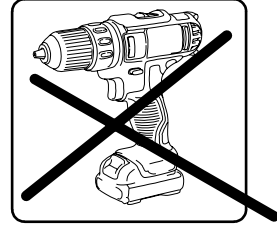
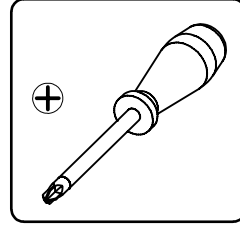
48 x1



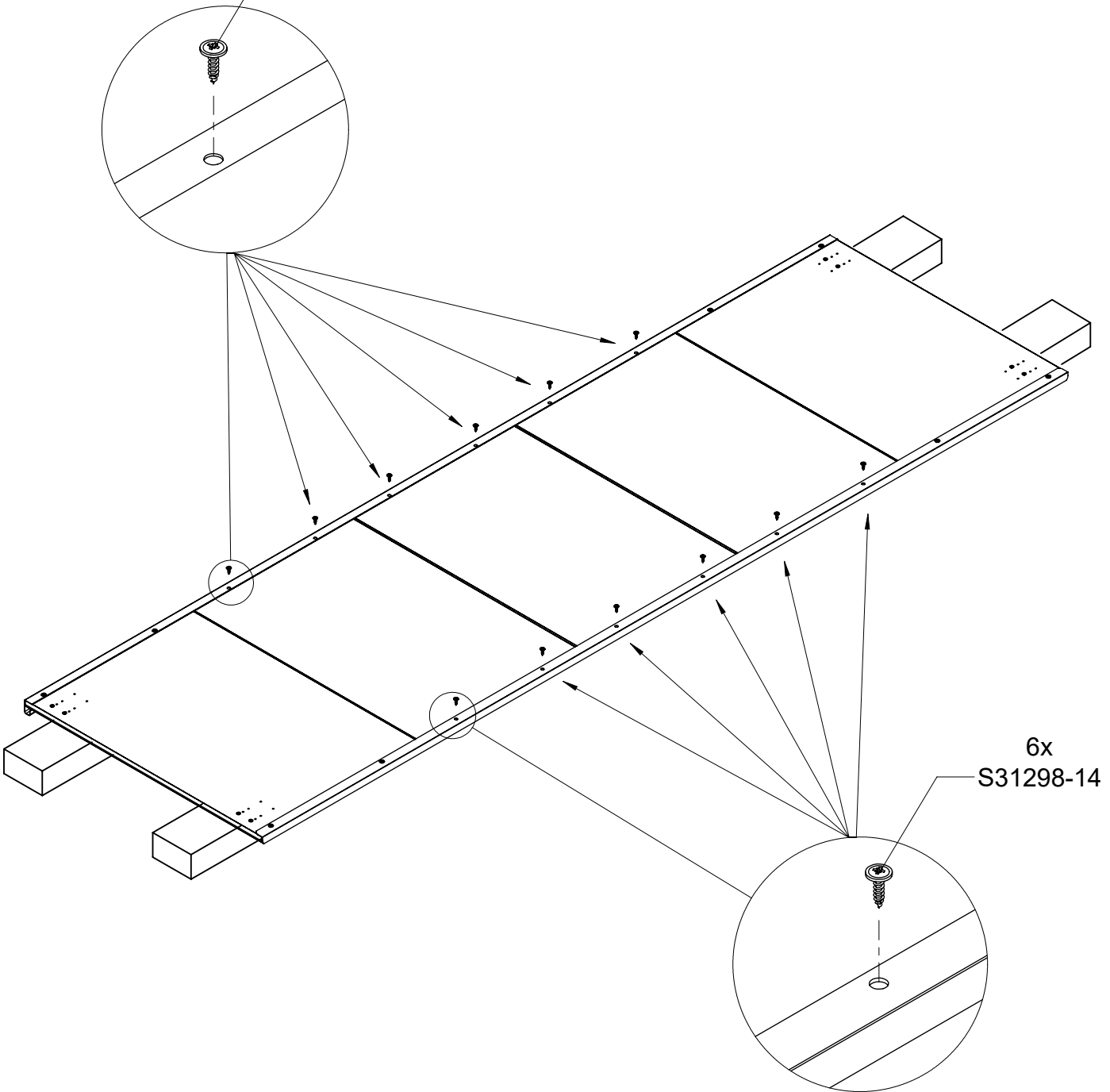
49



50x1

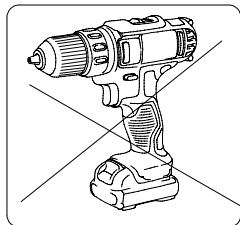
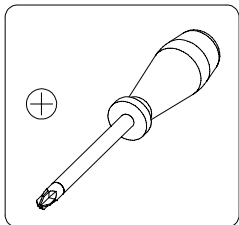
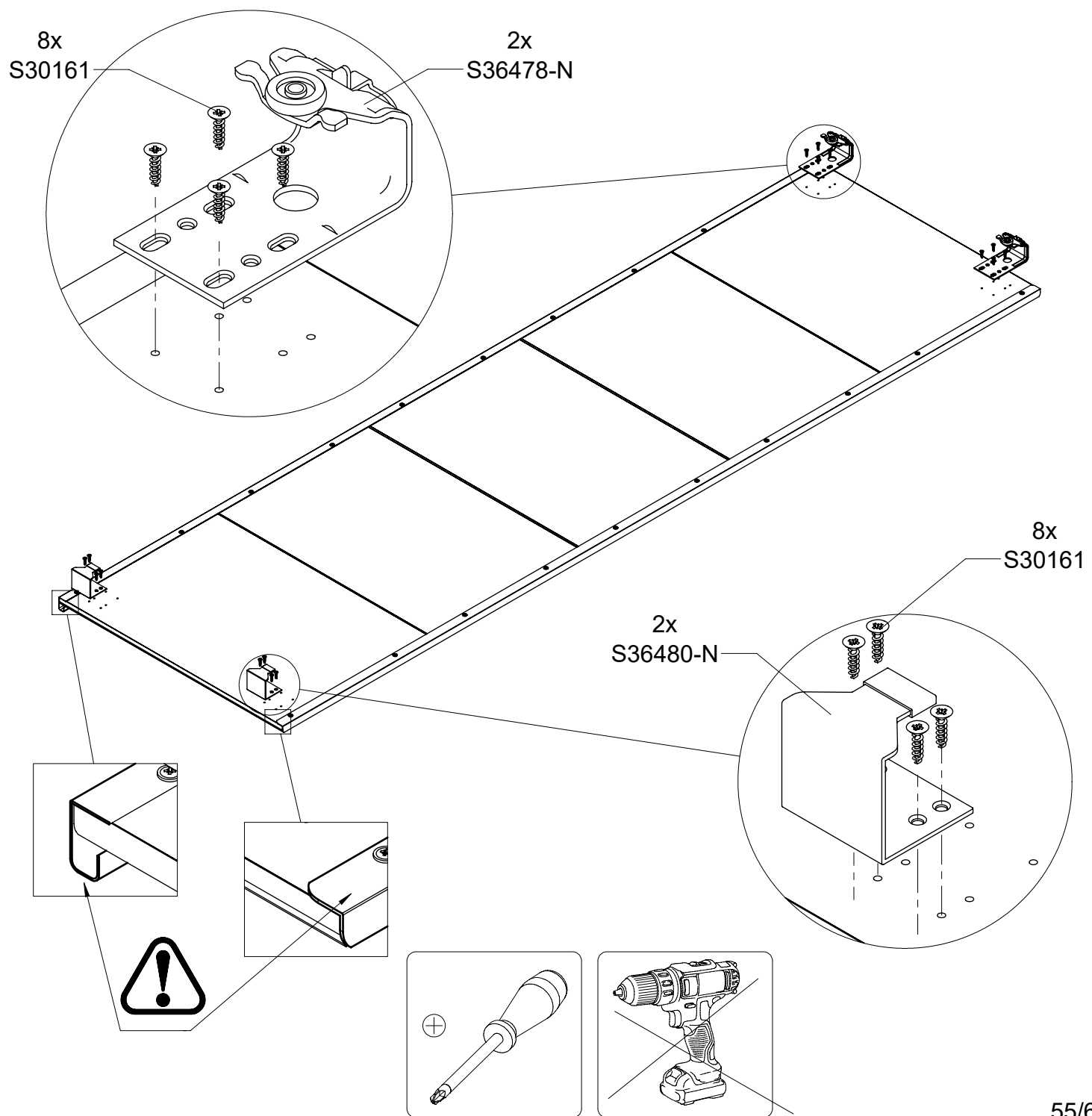
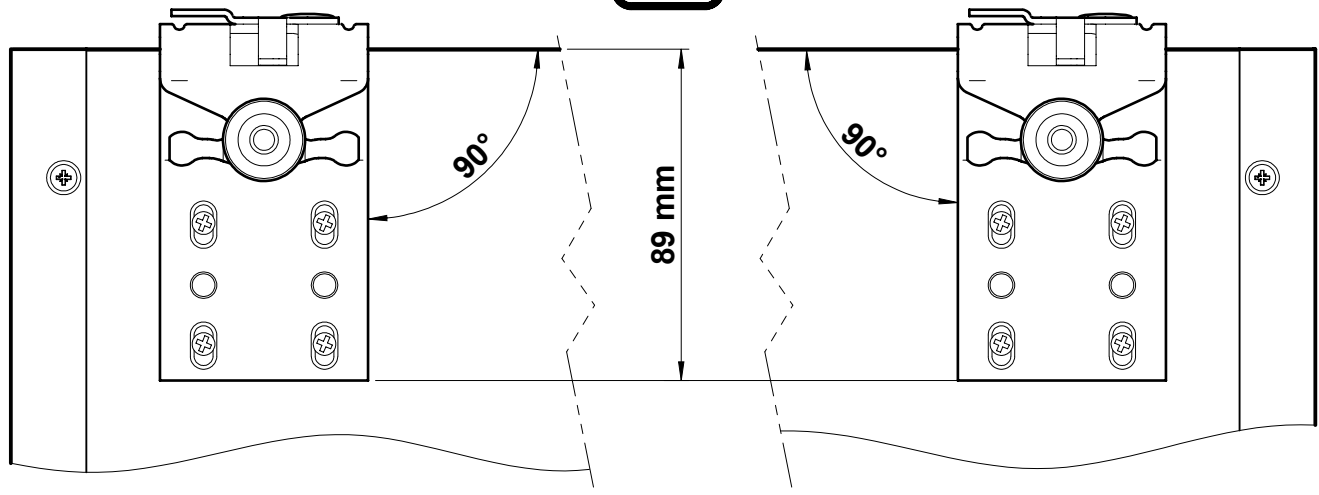


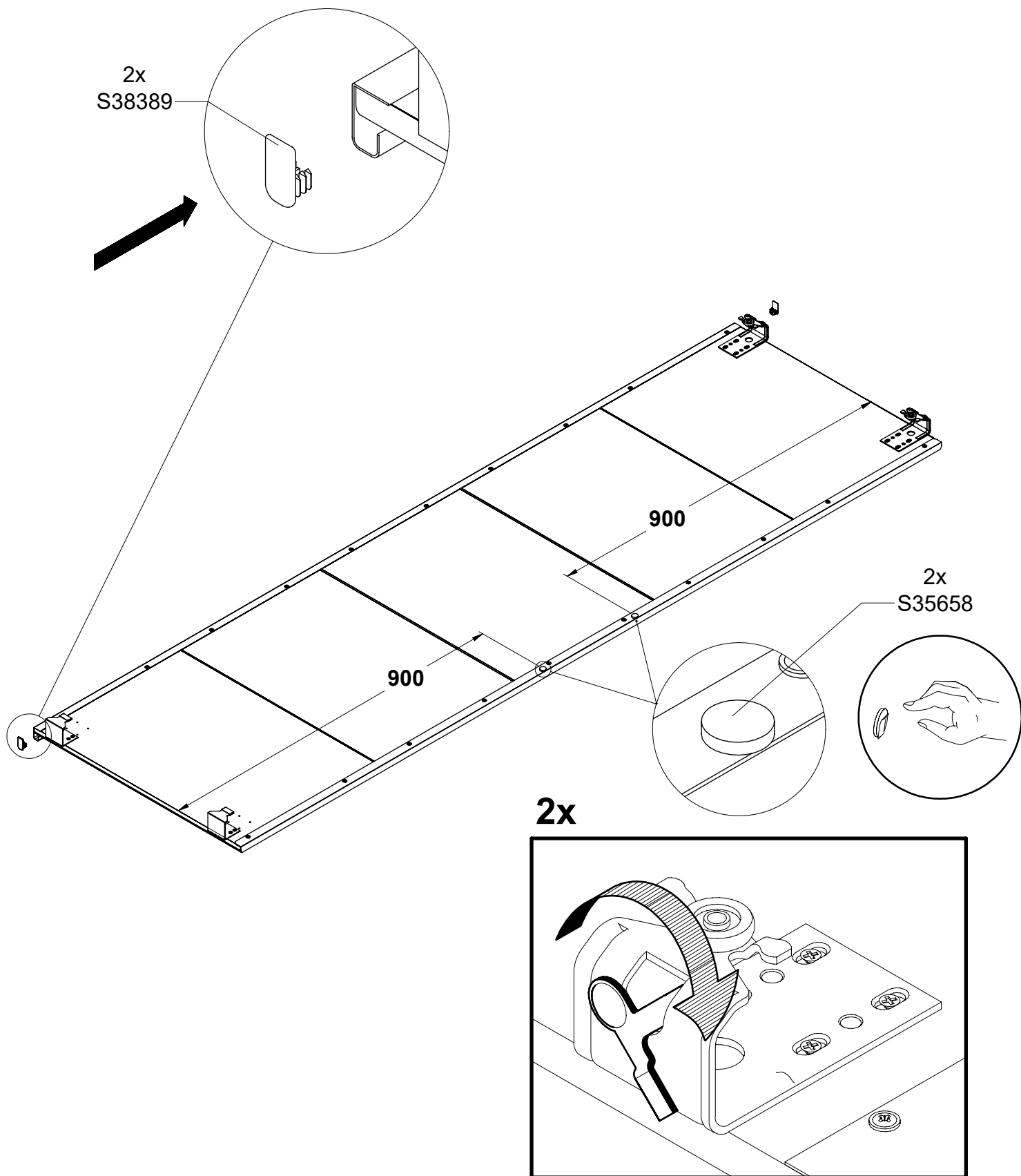
6x
S31298-14

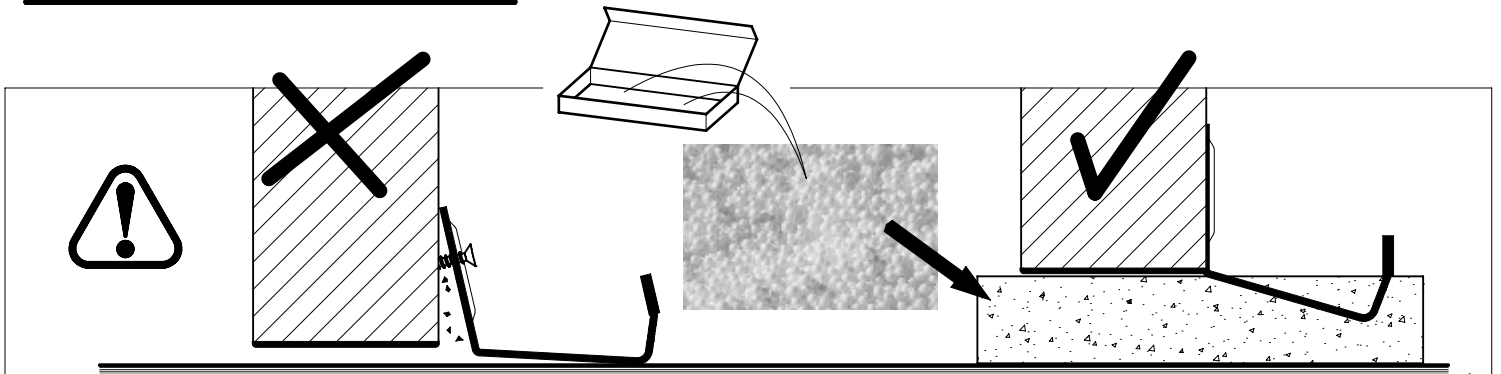
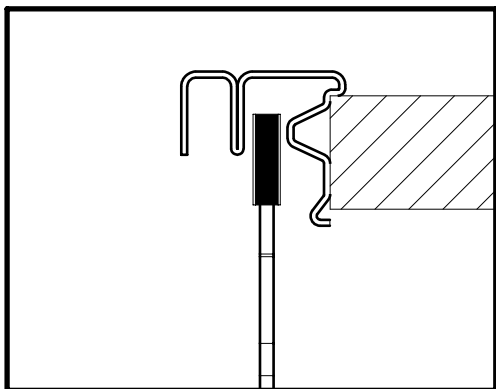
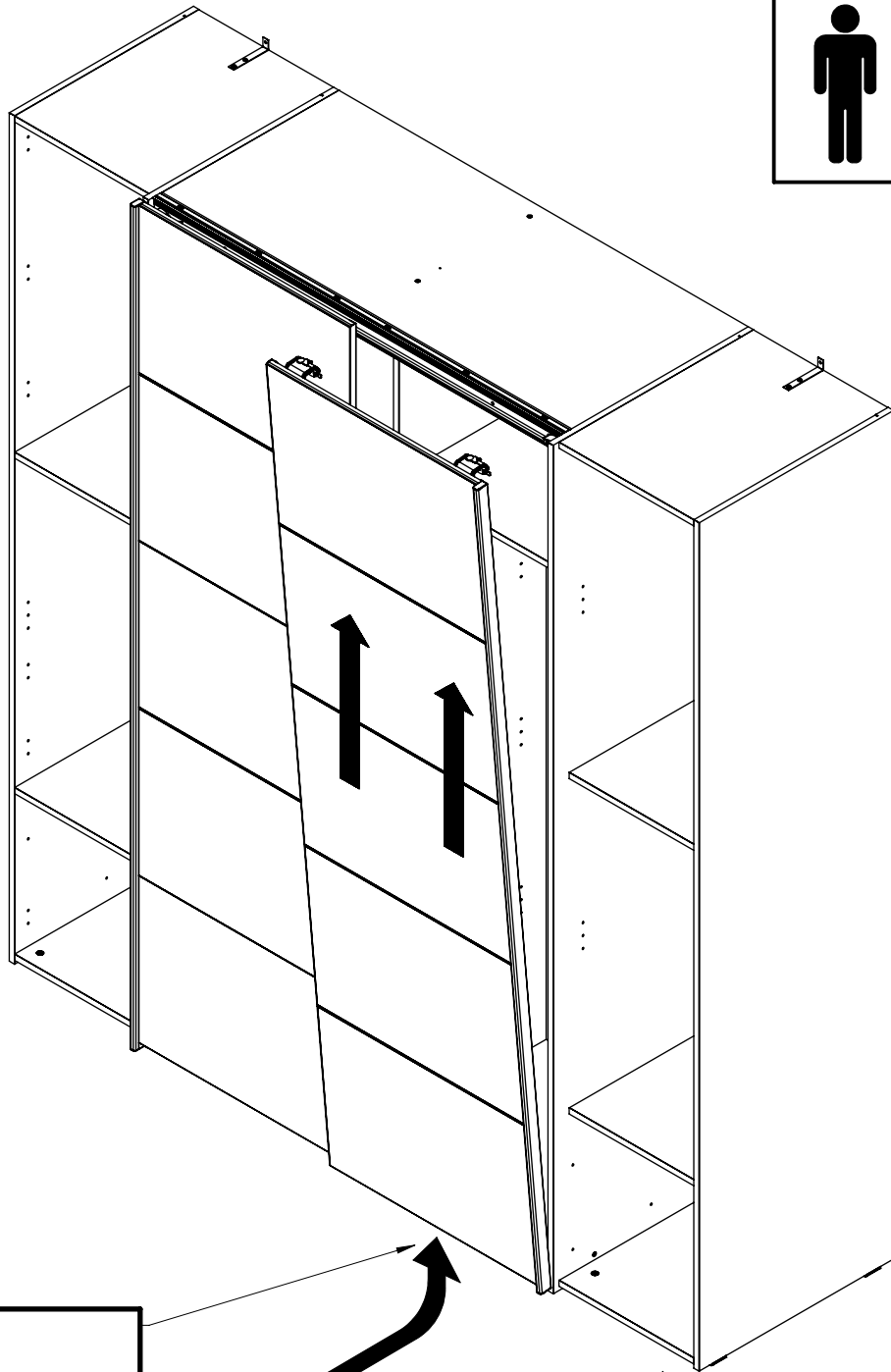
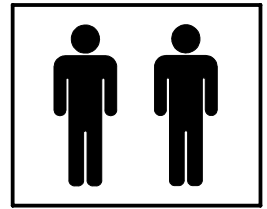


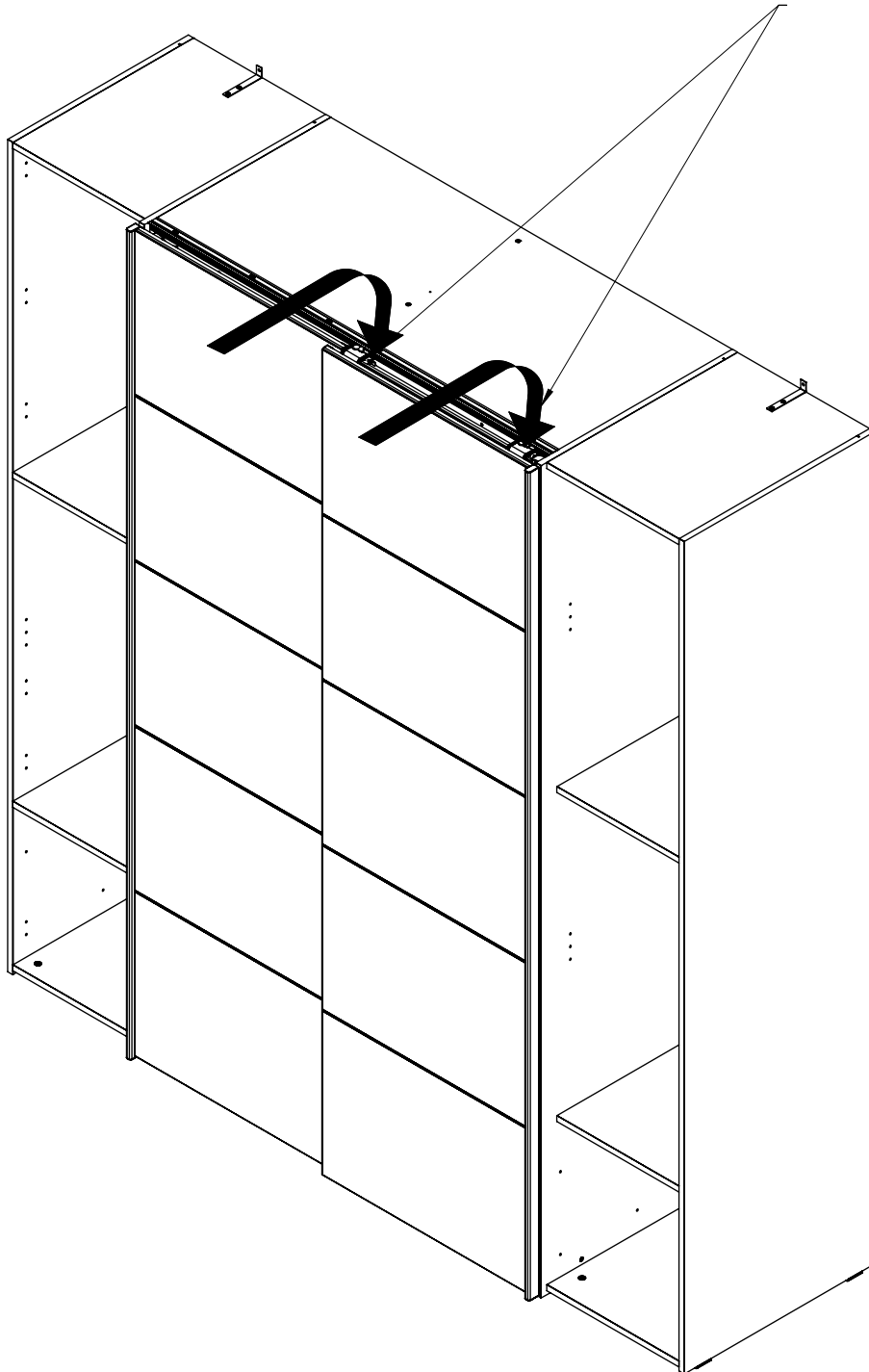
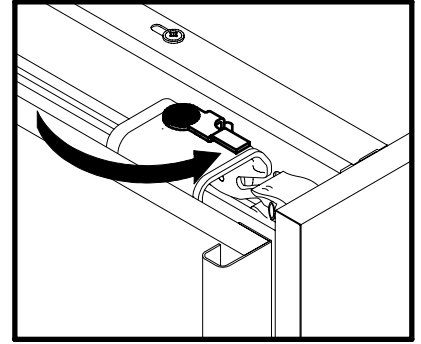
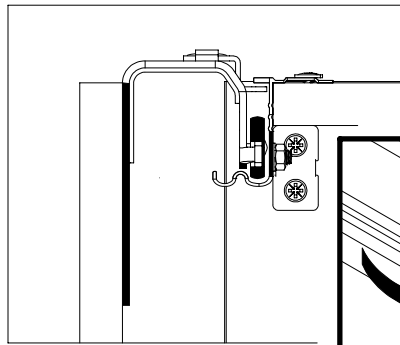
6x
S31298-14

51

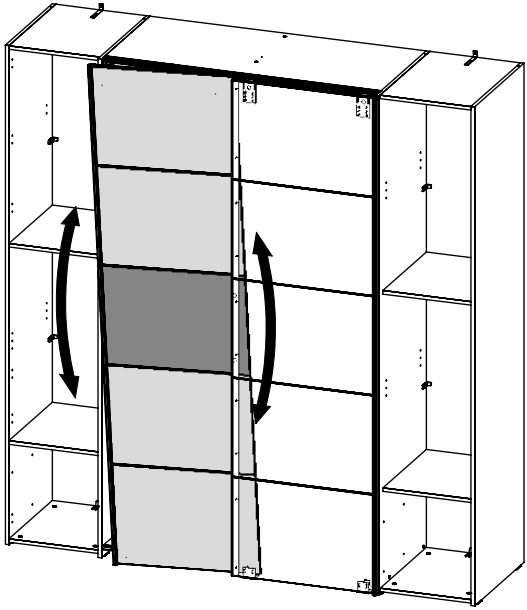




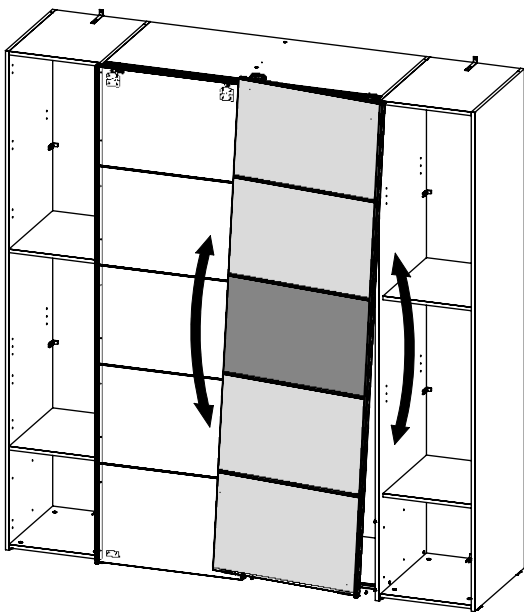
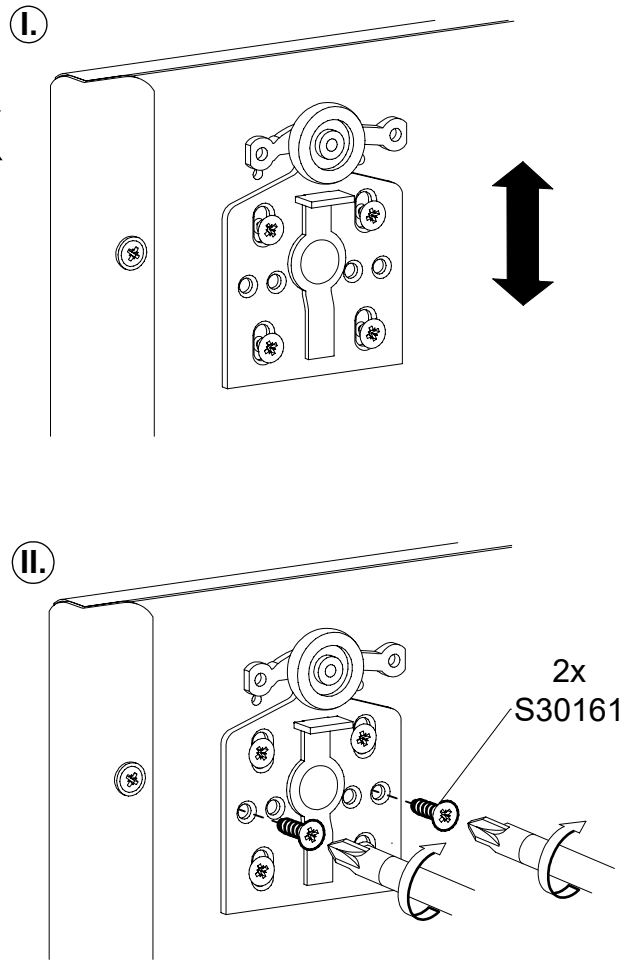




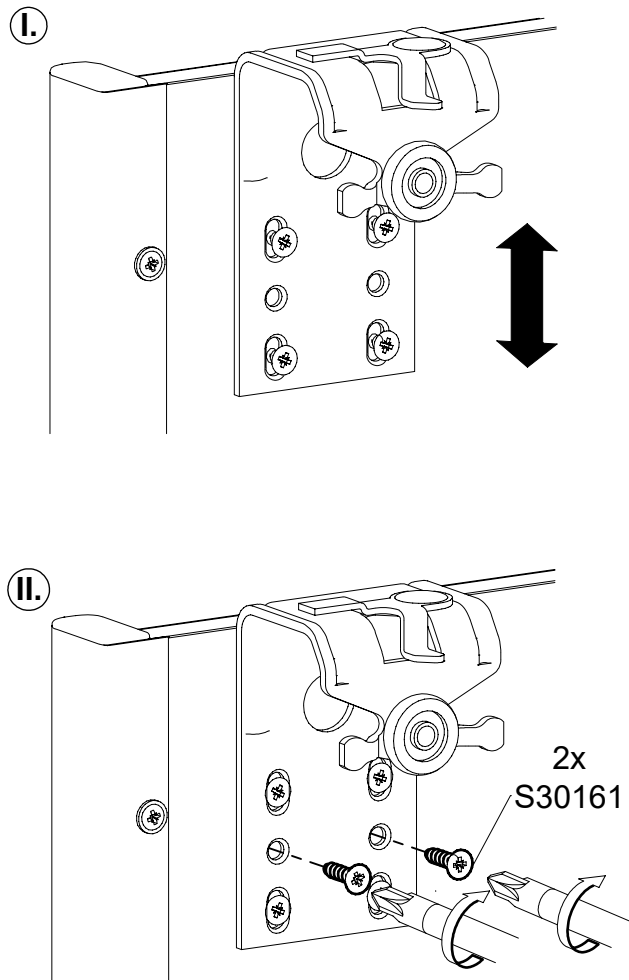
55



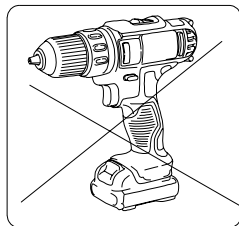
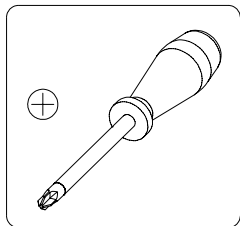
2x



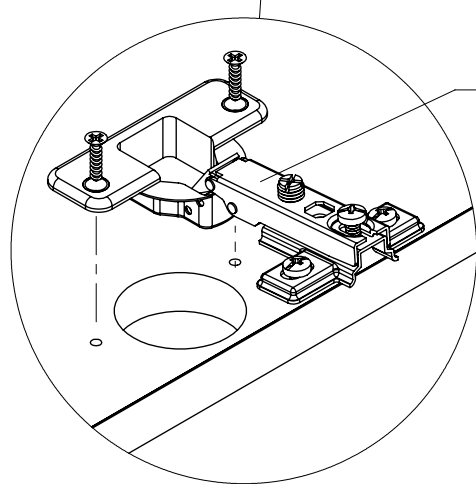
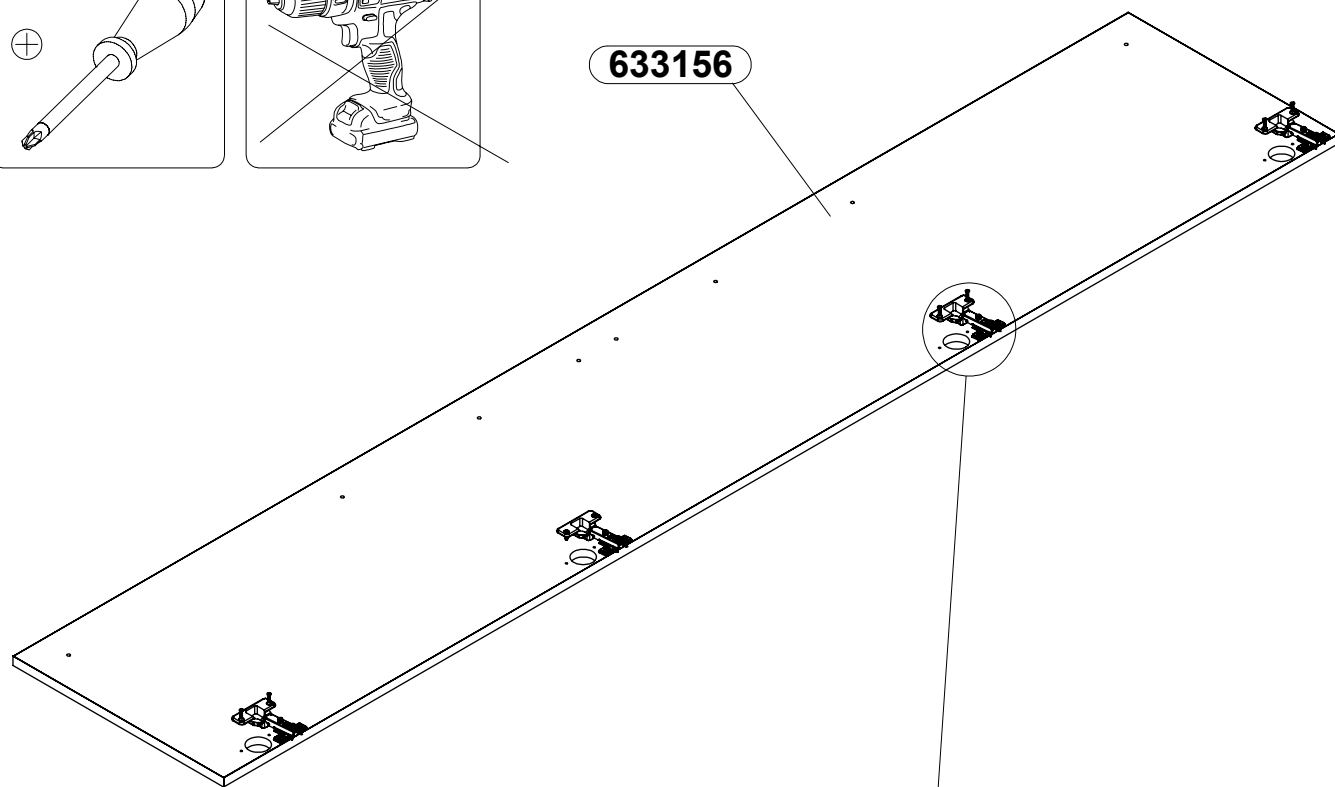
2x



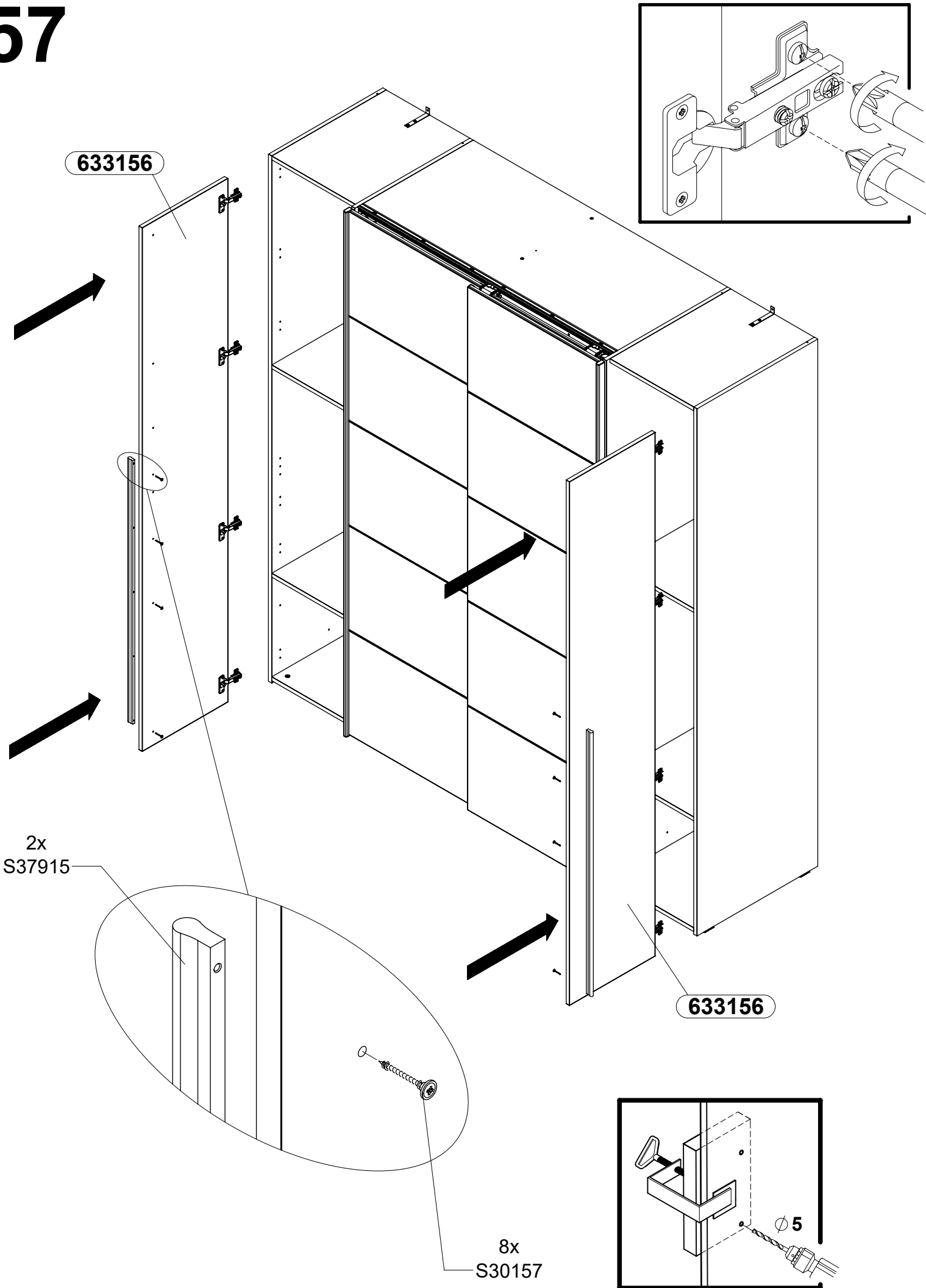
56 x2

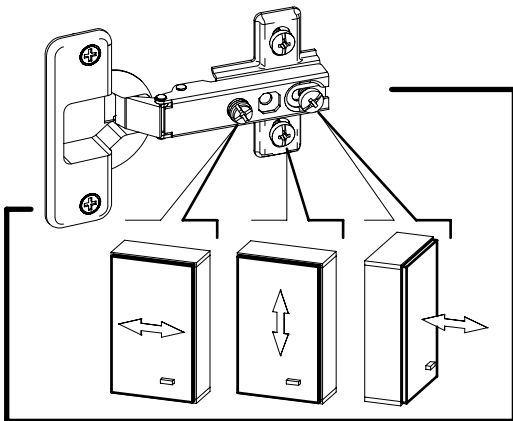
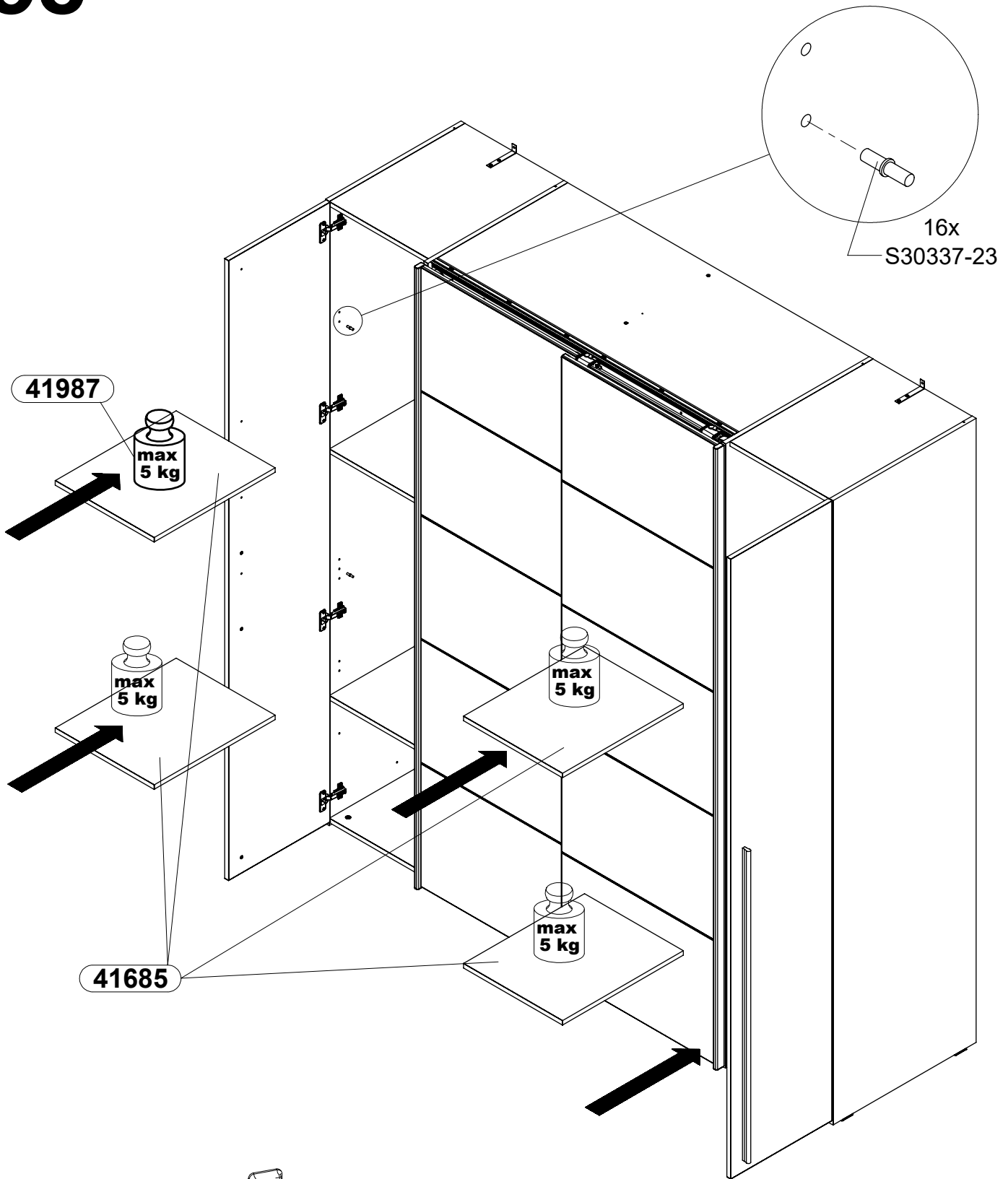


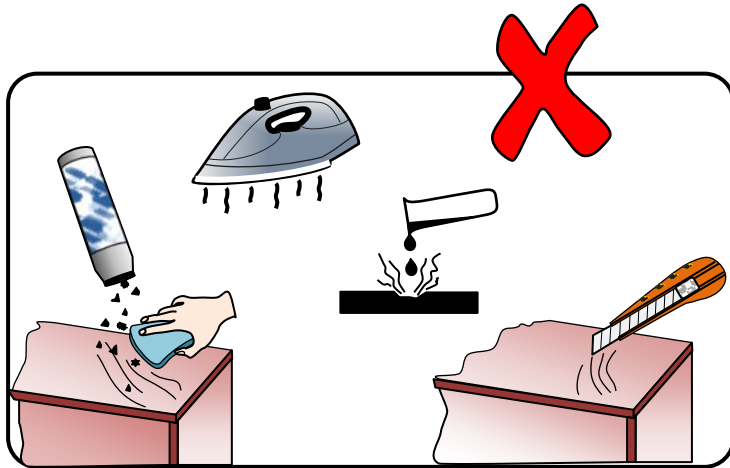
633156



4x
S30001







- EN- GUIDELINES FOR FURNITURE CARE

Please follow the below specified remarks in order to properly take care of your furniture:

A clean dry soft fabric must be used for cleaning. If the furniture requires thorough cleaning, then you can slightly moistened it with water or cleaning agent designed for furniture cleaning, and subsequently the cleaned elements must be wiped until they're dry. Metal and glass parts must be cleaned using commercially available cleaning agents designed for cleaning of this type of materials, in accordance with the included instructions.

Do not use corrosive agents, scouring agents and other agents if their intended use is unknown.

The cleaning agents must have clear marking that they are intended for cleaning furniture.

WARNING!!! High gloss elements, from which the protective foil was removed, may be cleaned and used only after 72 hours.

