
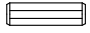




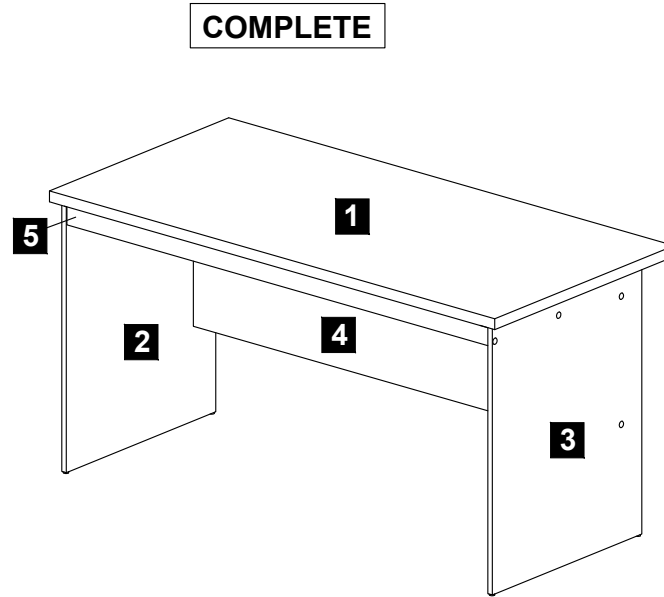
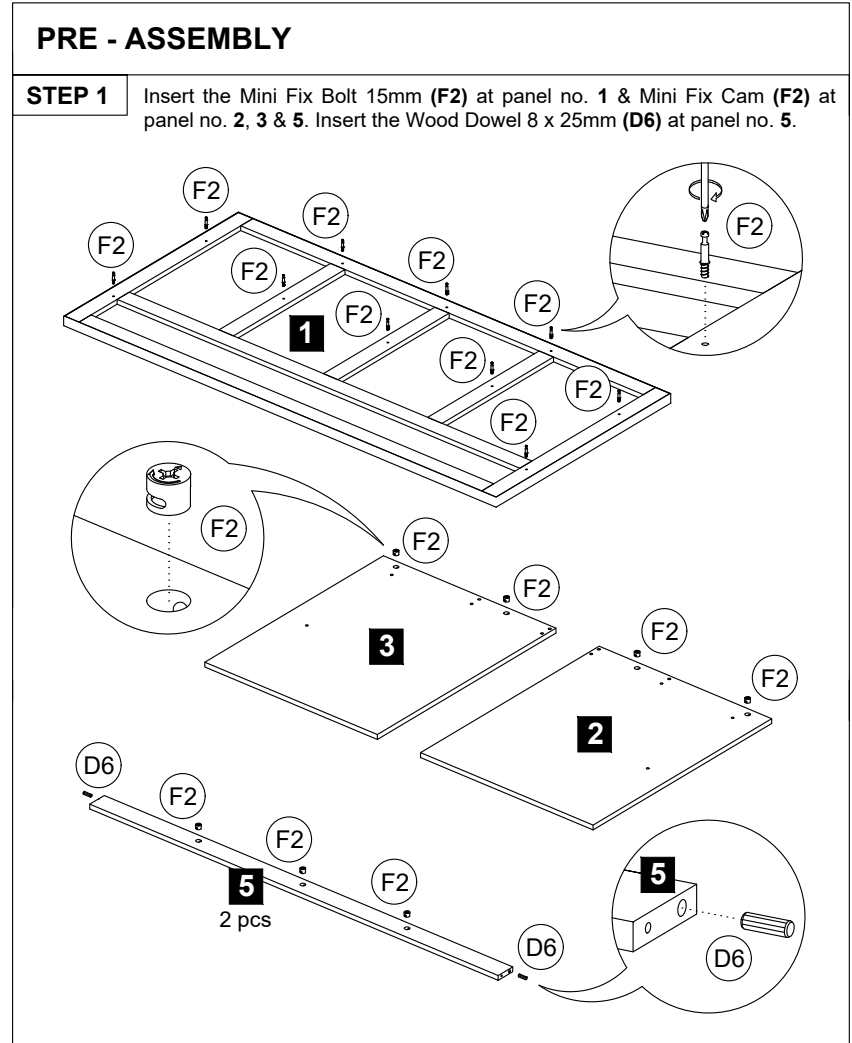


HARDWARE ITEM			QTY
A15		Screw JCBCW m6 x 38mm	8
D6		Wood Dowel 8 x 25mm	4
F2		Mini Fix 15mm	10 Sets
L1		Leg Pin	4
N1		Allen Key	1
Y		Mini Fix Plastic Cap	8



**PRE - ASSEMBLY**

**STEP 1** Insert the Mini Fix Bolt 15mm (F2) at panel no. 1 & Mini Fix Cam (F2) at panel no. 2, 3 & 5. Insert the Wood Dowel 8 x 25mm (D6) at panel no. 5.



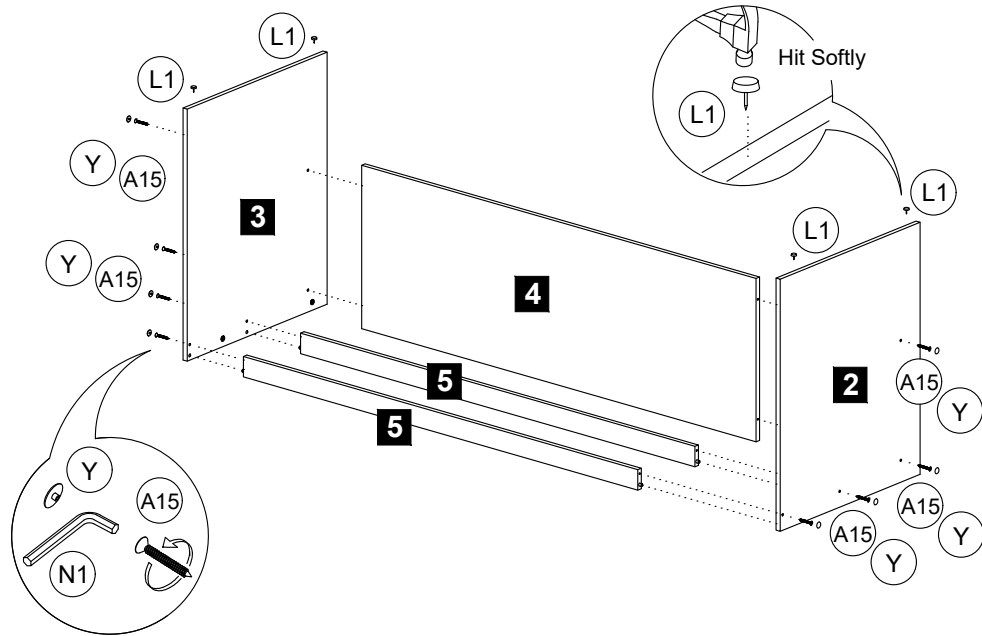
**CAUTION**

MATERIAL USE LAMINATED PARTICLE BOARD, TO CLEAN USE SOFT, DRY CLOTH. DO NOT USE DETERGENT OR CHEMICAL AVOID CONTACT WITH WATER AND DIRECT SUNLIGHT. TO BE ASSEMBLED ON A SOFT, DRY, CLEAN SMOOTH SURFACE.

USE OF POWER TOOLS TO ASSEMBLE THIS PRODUCT WILL INVALIDATE ANY CLAIM AND MAY DAMAGE THIS PRODUCT MAKING IT UNSAFE.



**STEP 2** Assemble panel no. **2, 3, 4 & 5** together by using Screw JCBCW m6 x 38mm (**A15**). Use Allen Key (**N1**) to tighten the Screw JCBCW m6 x 38mm (**A15**) & button the screw head with Mini Fix Plastic Cap (**Y**). Nail the Leg Pin (**L1**) at the bottom of panel no. **2 & 3**.



**STEP 3** Assemble the panel no. **1** to the unit by using Mini Fix 15mm (**F2**).

