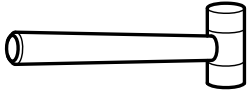


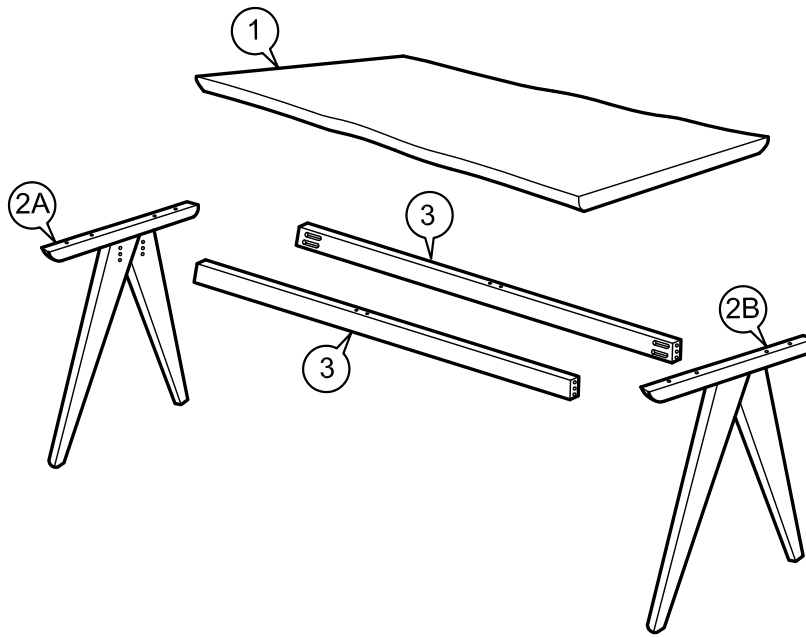
ASSEMBLY  
INSTRUCTIONS






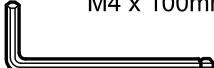
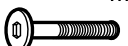



Not Provided



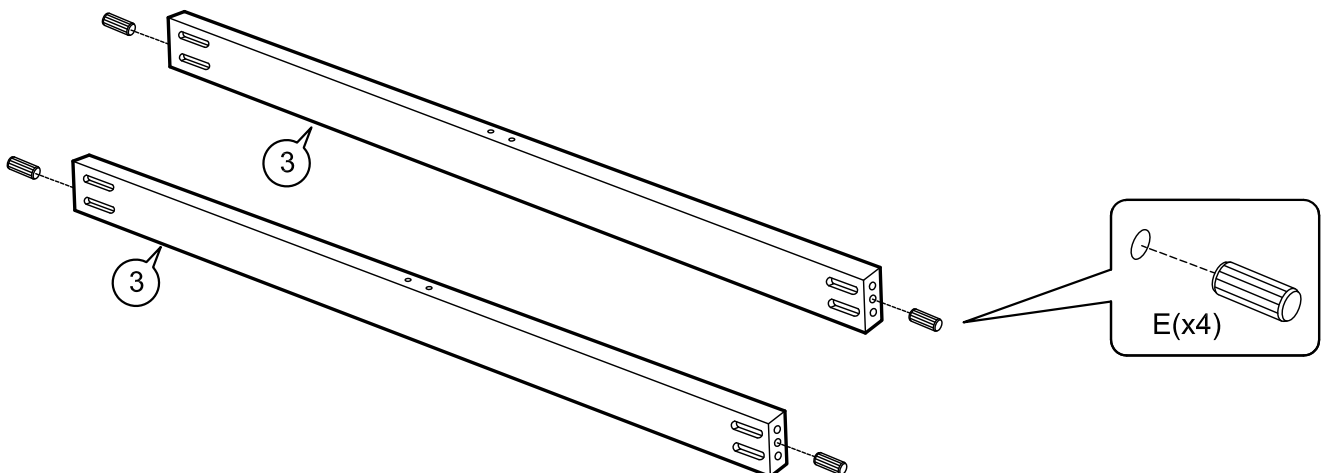
Part List :



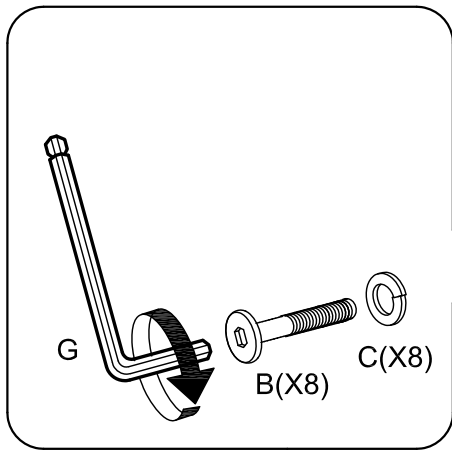
HARDWARE LIST :

<p>A M8 x 50mm = 8</p> 	<p>C 5/16" = 8</p> 	<p>E M8 x 30mm = 4</p> 	<p>G M4 x 100mm = 1</p> 
<p>B M6 x 50mm = 8</p> 	<p>D 5/16" = 8</p> 	<p>F M4 x 38mm = 4</p> 	<p>H M5 = 1</p> 

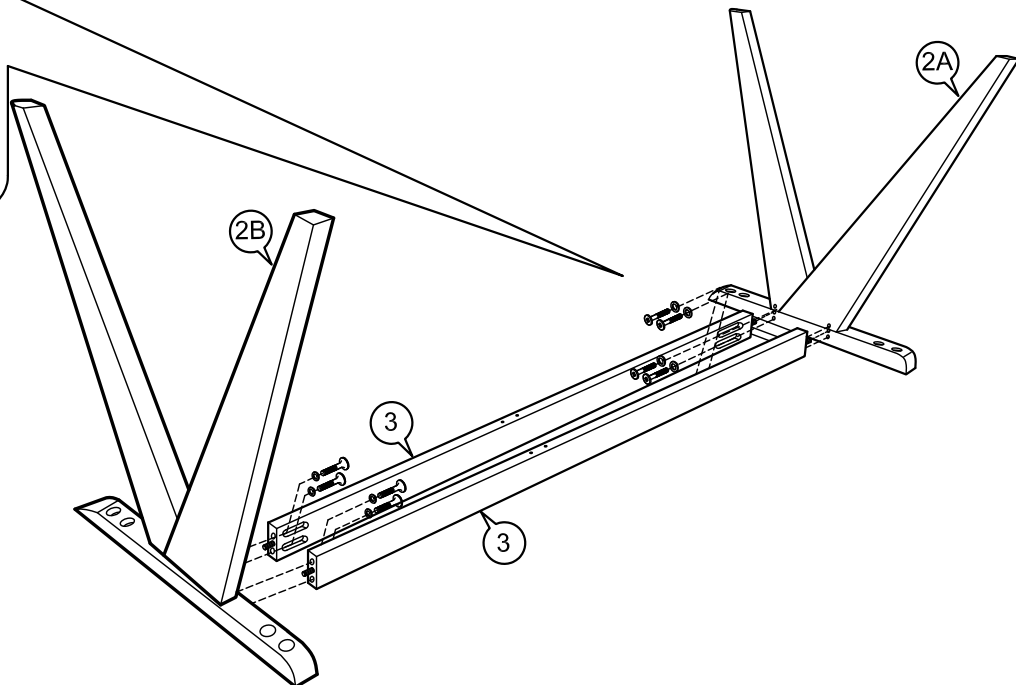
1



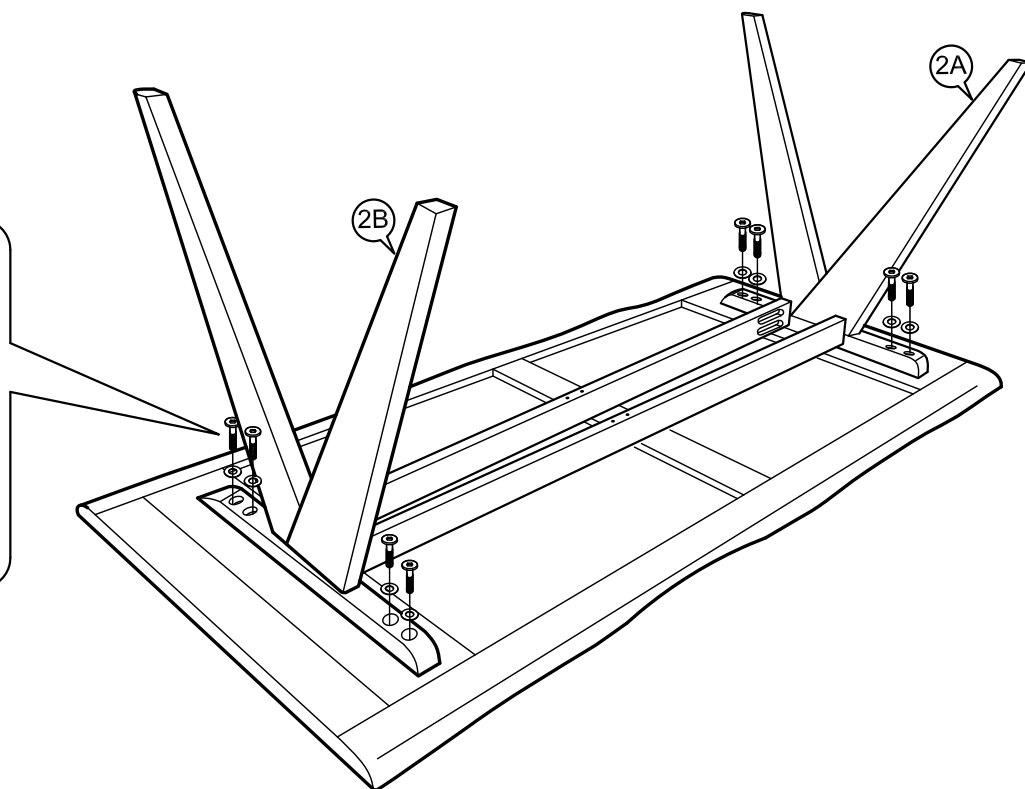
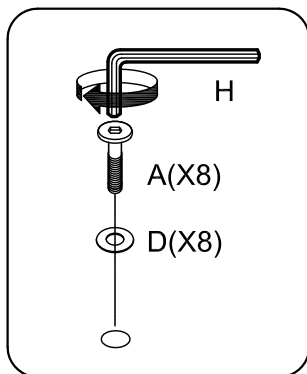
2



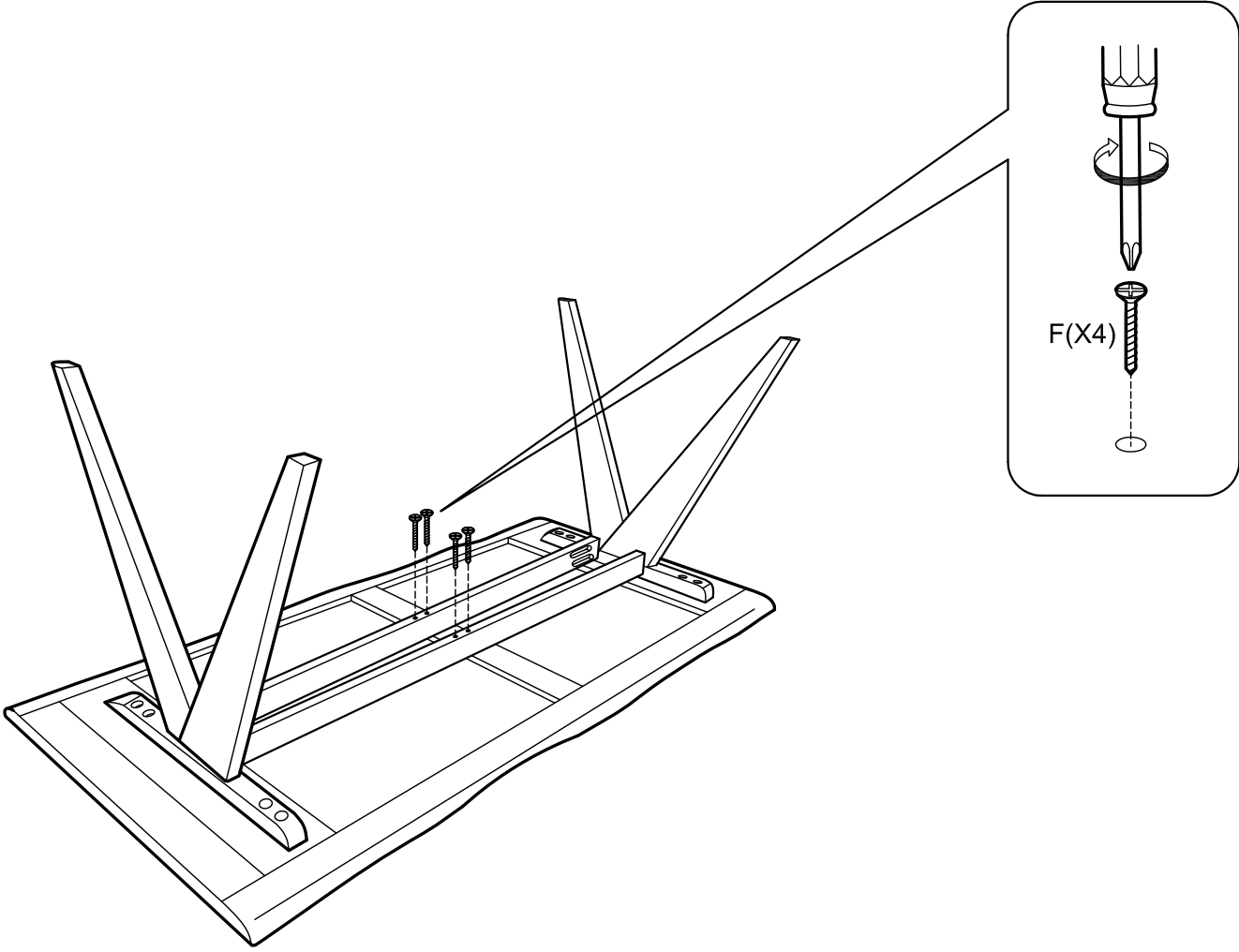
DO NOT FULLY TIGHTEN



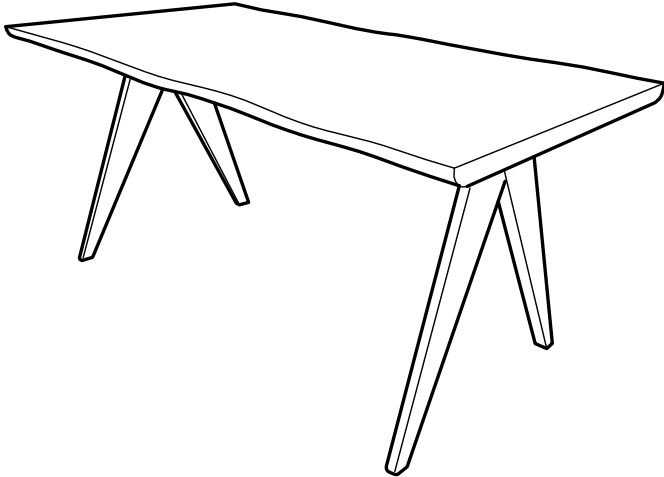
3



4



5



FULLY TIGHTEN ALL BOLTS