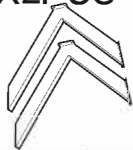
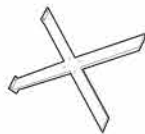


ASSEMBLING INSTRUCTION

1 X2PCS



2 X1PC



3 X1PC



A X4PCS



B X16PCS



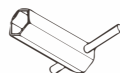
C X4PCS



D X4PCS



E X1PC



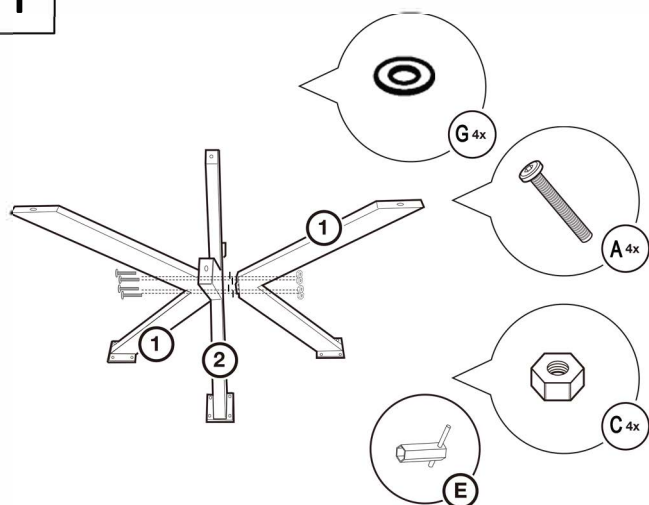
F X1PC



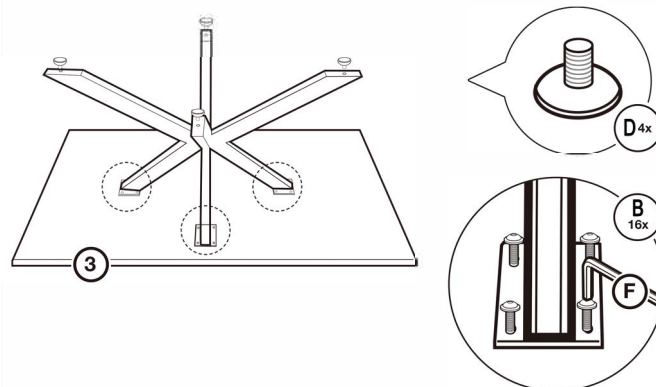
G X4PCS



1



2



3

