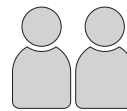


Before starting the assembly need to



2 Person



Philips Screwdriver



Hammer



Drill

### Dear Customer

This product you have purchased has been subjected to all tests and controls by us before it reaches you. However, your product may have been damaged during transport or shipped incompletely. Therefore, it is useful to check the current product using the manual before starting the installation. If you encounter a missing or faulty object during the check, define the object using the manual and contact our company. Our office will provide you with the object you need as soon as possible. You do not need to return the faulty product to our company.

For a successful installation, please provide the auxiliary tools mentioned above.

Before you start, clean every existing item with a damp cloth.

After cleaning the existing parts, arrange them in a suitable area according to the size. Meanwhile, be careful not to rub against each other while moving the pieces and not to hit the corner parts while arranging them.

During installation, carefully review all steps in the manual.

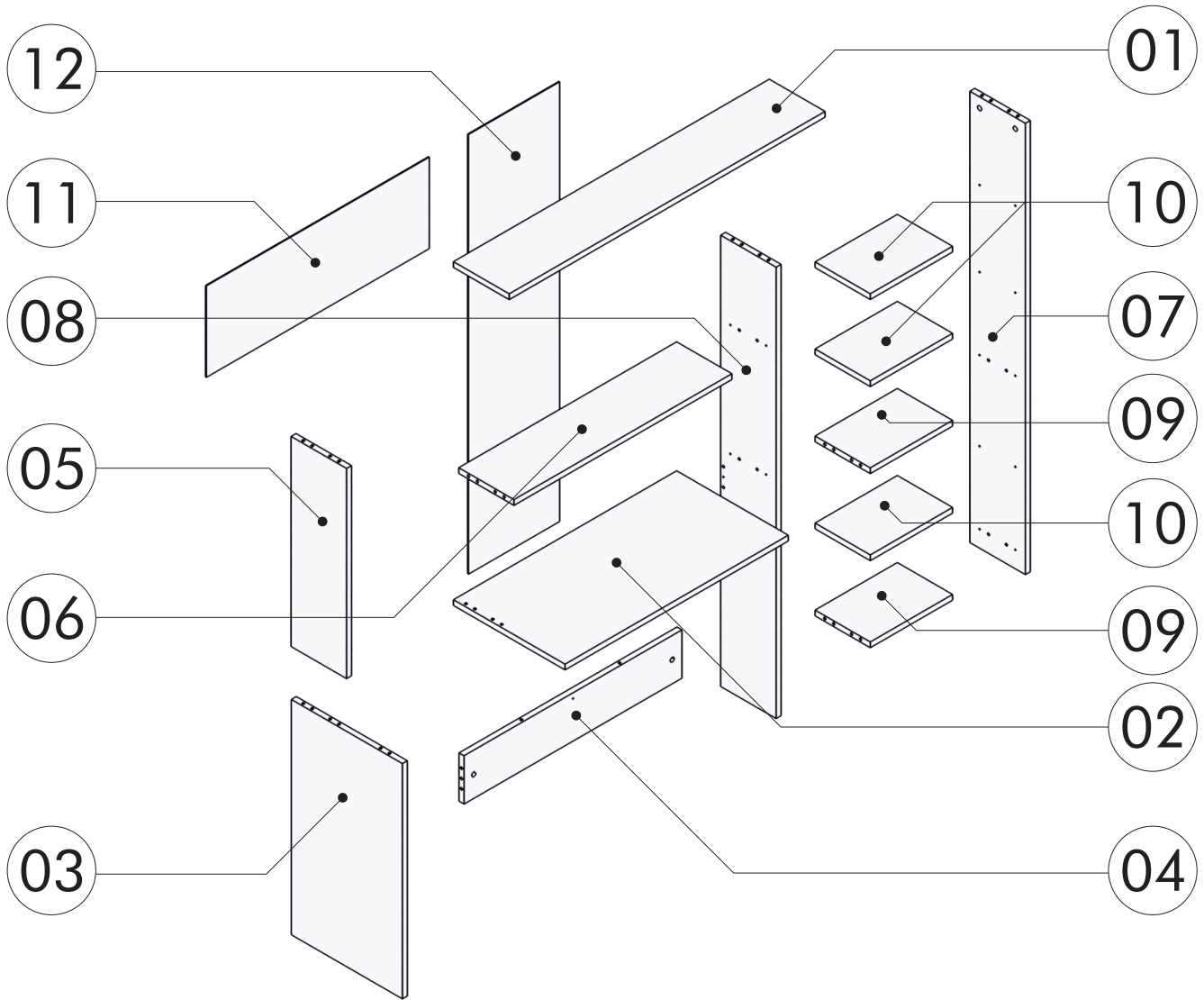
After the installation process is completed, check the integrity of all connection points.

After the assembly, carry the product as 2 people.

Do not expose your product to direct sunlight. Keep away from hot and humid environments. Position your product appropriately considering these issues. In addition, do not load the product with heavy loads that may cause stretching and do not use it outside of its purpose.

You can contact our company about the topics you are curious about.

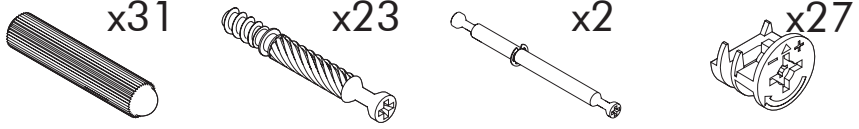
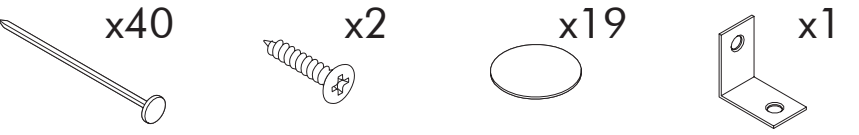
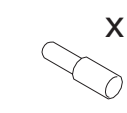
# EXPLODE VIEW



## LIST OF PART

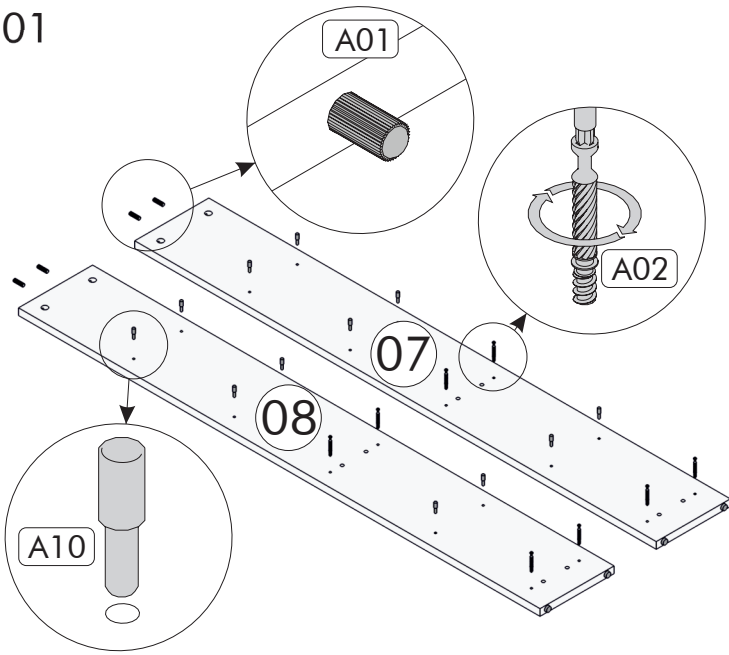
Code	Dimension	Pieces
01	20 x 113.2 x 1.8 cm	1
02	40 x 80 x 1.8 cm	1
03	39.7 x 73 x 1.8 cm	1
04	15 x 78.1 x 1.8 cm	1
05	19.8 x 65.2 x 1.8 cm	1
06	19.8 x 78.1 x 1.8 cm	1
07	20 x 140 x 1.8 cm	1
08	20 x 140 x 1.8 cm	1
09	19.8 x 29.5 x 1.8 cm	2
10	19.8 x 29.5 x 1.8 cm	3
11	28.4 x 80 x 0.3 cm	1
12	32.7 x 136.4 x 0.3 cm	1

## LIST OF ACCESSORY

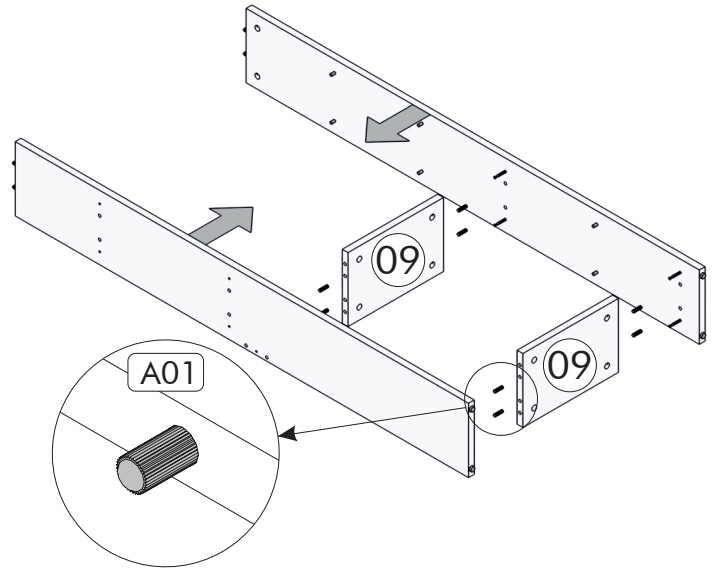
	x31	x23	x2	x27
A01	A02	A34	A03	
	x40	x2	x19	x1
A05	A06 3.5x18	A09	A19	
	x12			
A10				

# ASSEMBLY

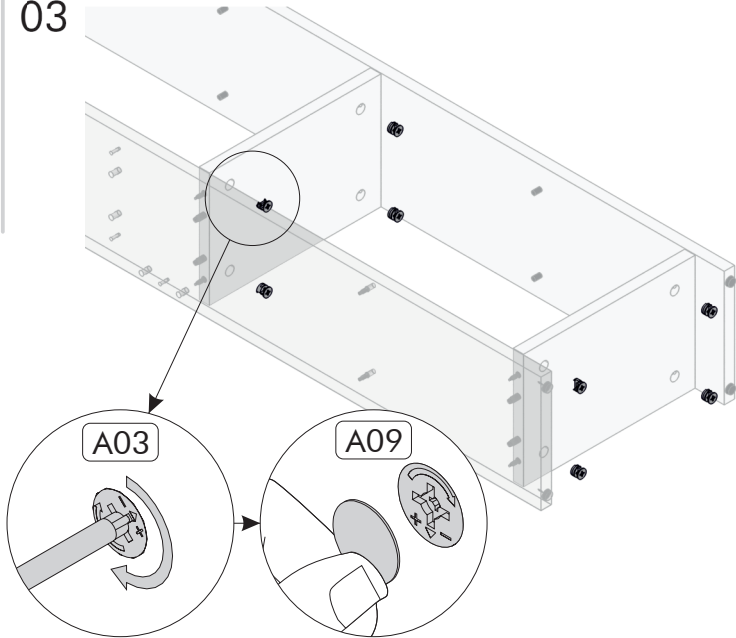
01



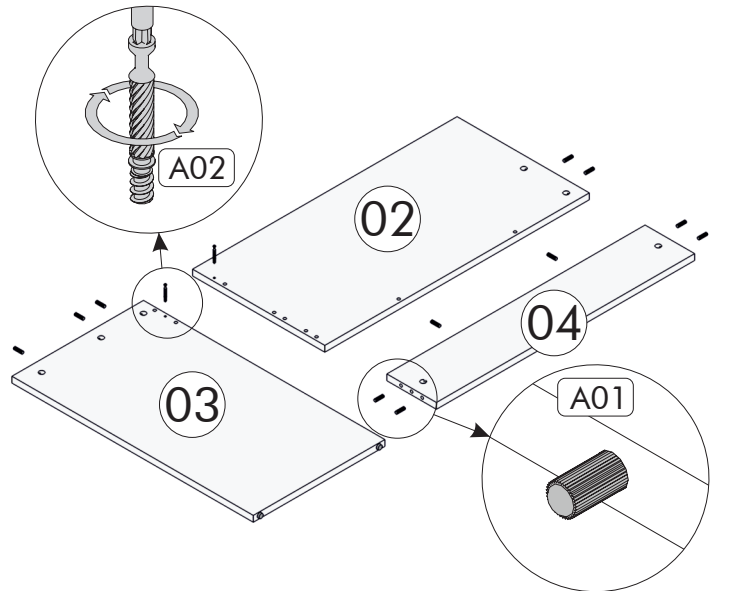
02



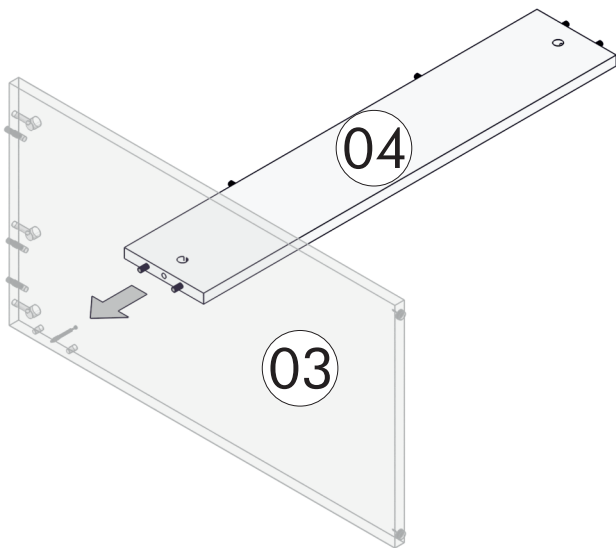
03



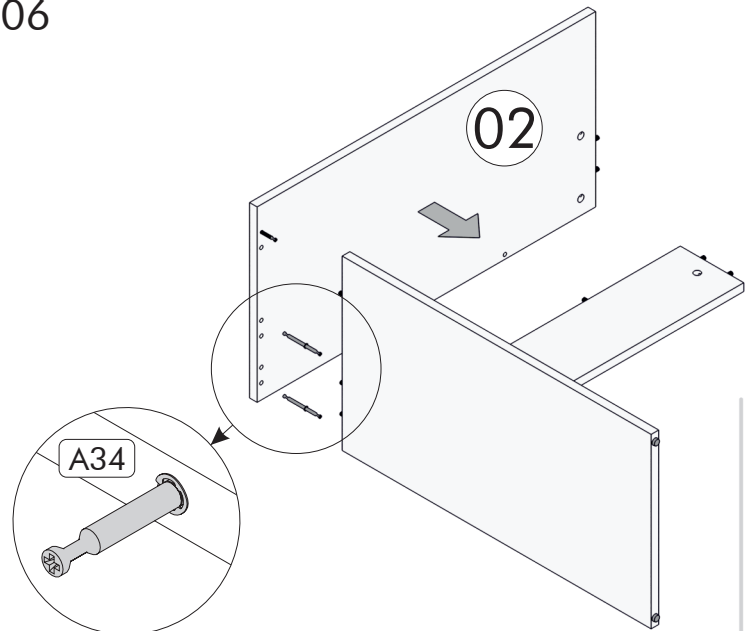
04



05

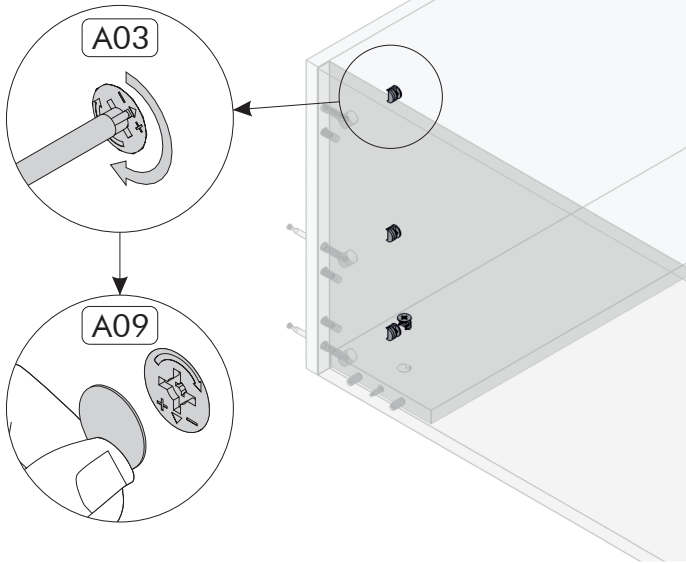


06

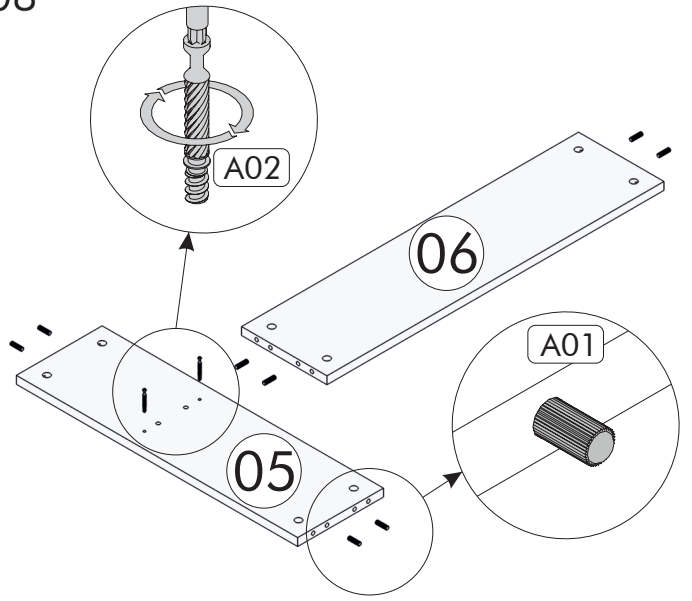


# ASSEMBLY

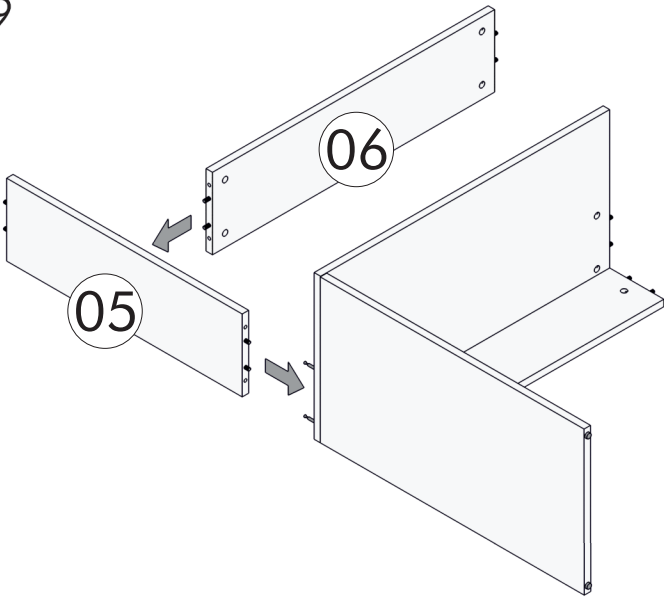
07



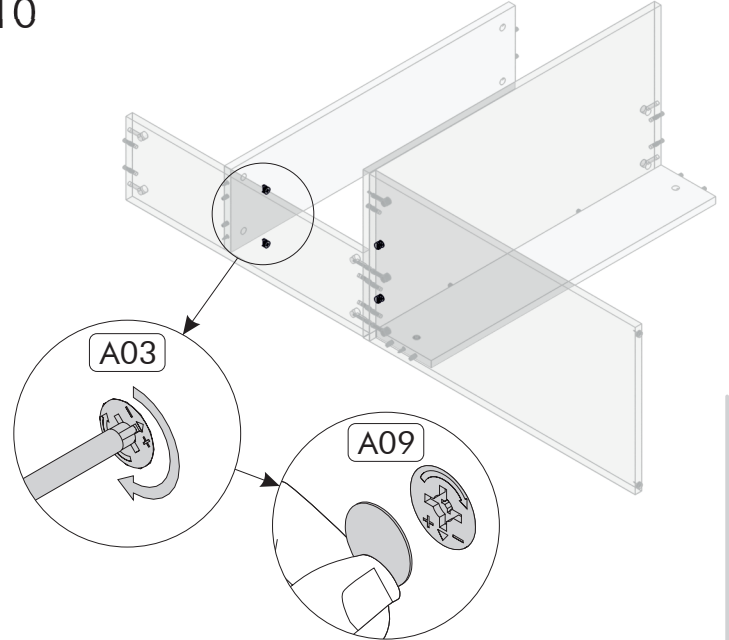
08



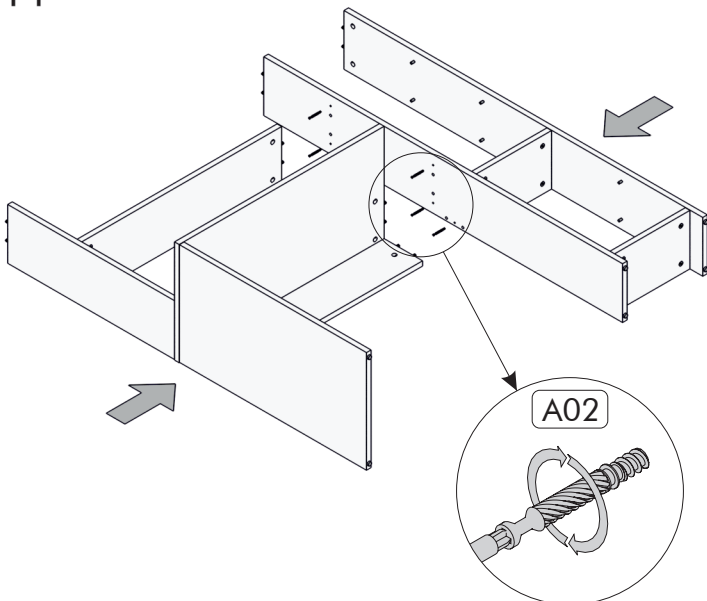
09



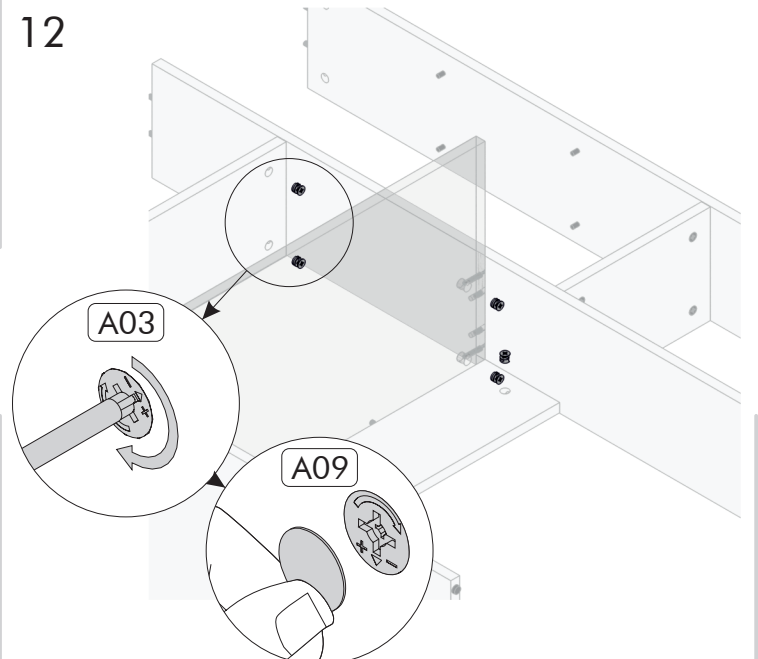
10



11

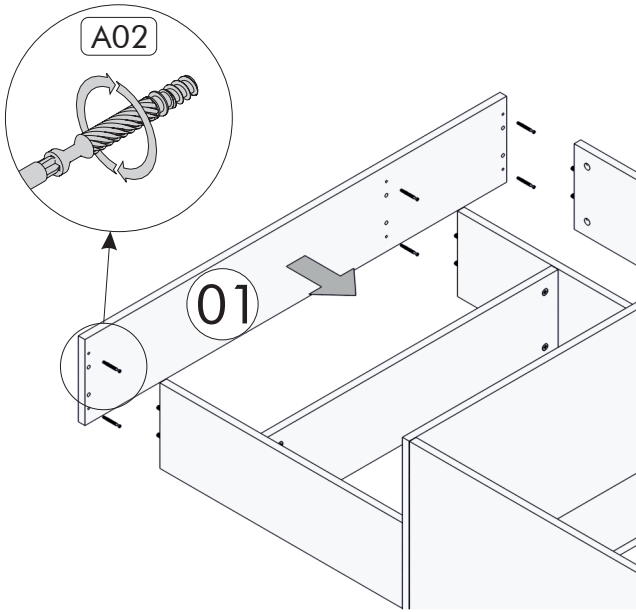


12

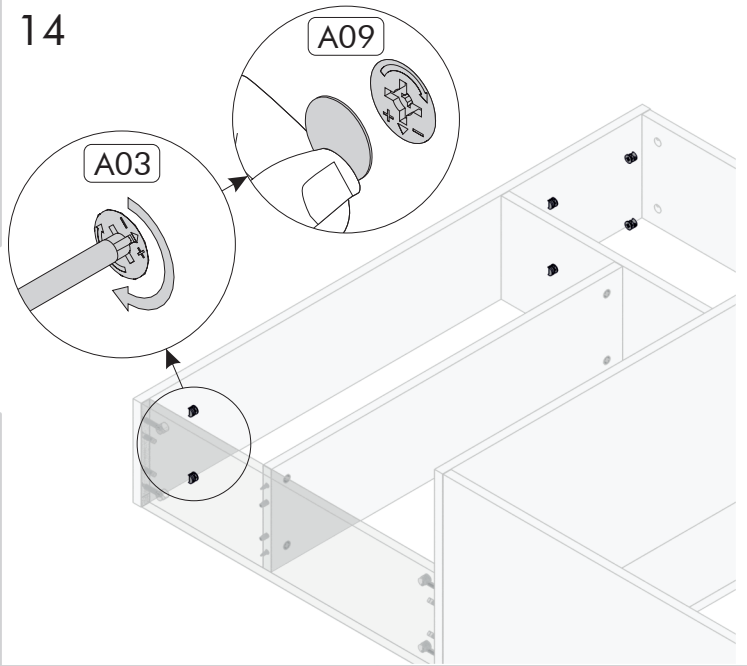


# ASSEMBLY

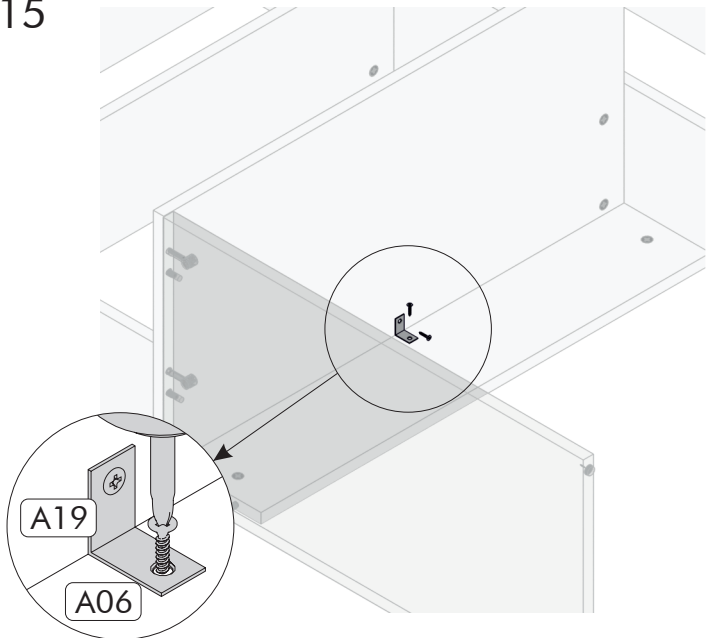
13



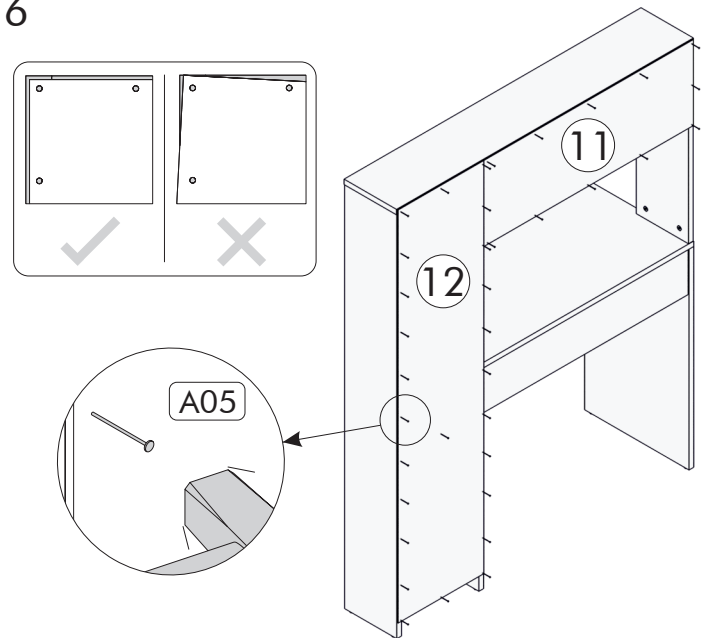
14



15



16



17

