

BD103

Before starting the assembly need to



1 Person



Philips Screwdriver



Hammer



Drill

Dear Customer

This product you have purchased has been subjected to all tests and controls by us before it reaches you. However, your product may have been damaged during transportation or shipped incompletely. Therefore, it is useful to check the current product using the manual before starting the installation. If you encounter a missing or faulty object during the check, define the object using the manual and contact our company. Our office will provide you with the object you need as soon as possible. You do not need to return the faulty product to our company.

For a successful installation, please provide the auxiliary tools mentioned above.

Before you start, clean every existing item with a damp cloth.

After cleaning the existing parts, arrange them in a suitable area according to the size. Meanwhile, be careful not to rub against each other while moving the pieces and not to hit the corner parts while arranging them.

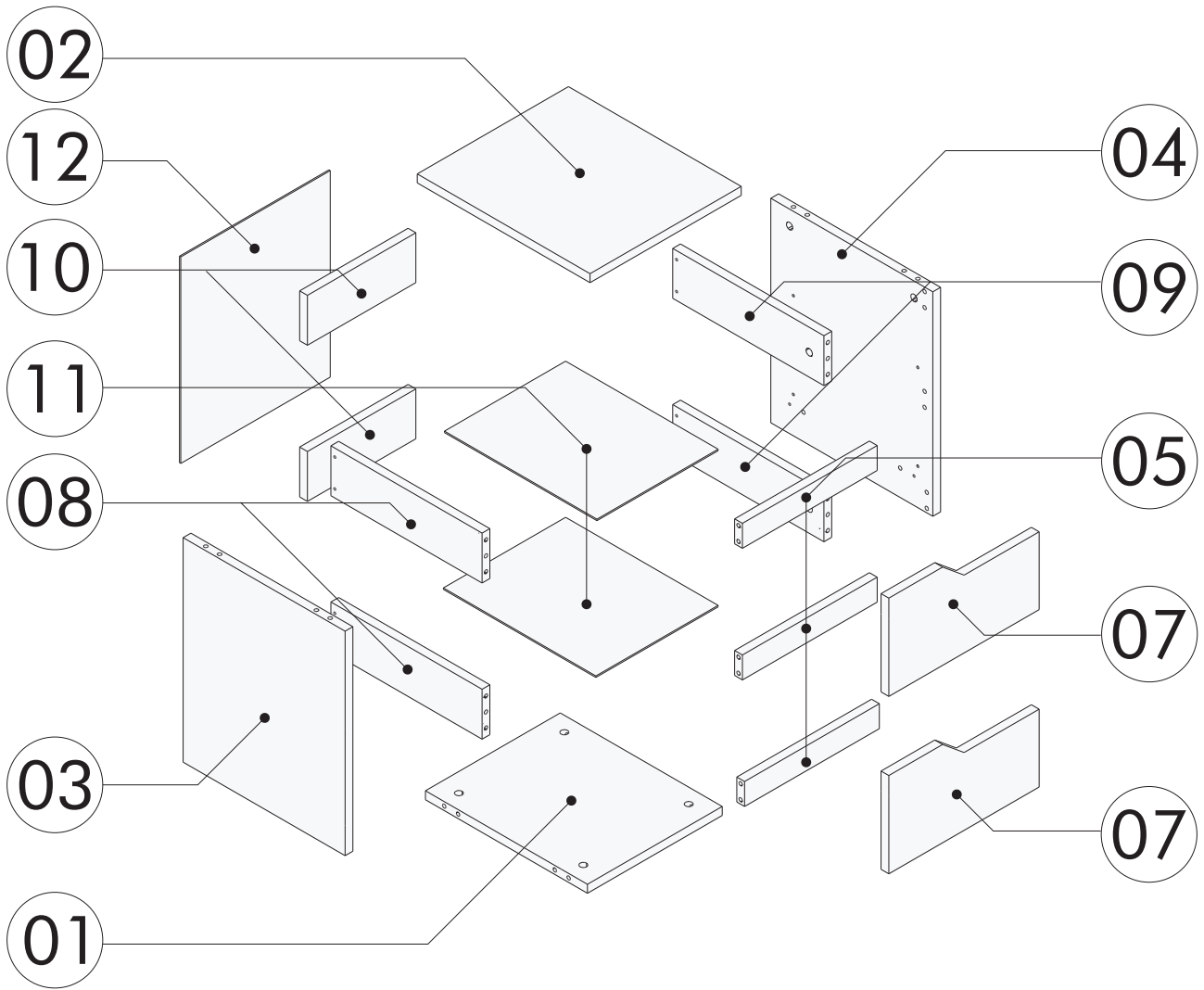
During installation, carefully review all steps in the manual.

After the installation process is completed, check the integrity of all connection points.

After the assembly, carry the product as 2 people.

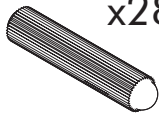
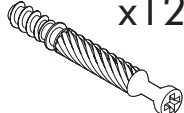
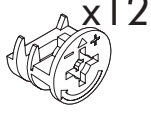

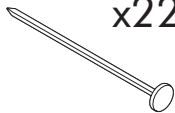

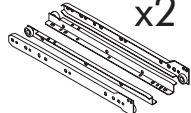
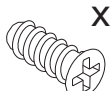
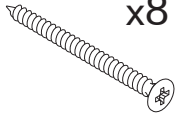
Do not expose your product to direct sunlight. Keep away from hot and humid environments. Position your product appropriately considering these issues. In addition, do not load the product with heavy loads that may cause stretching and do not use it outside of its purpose.

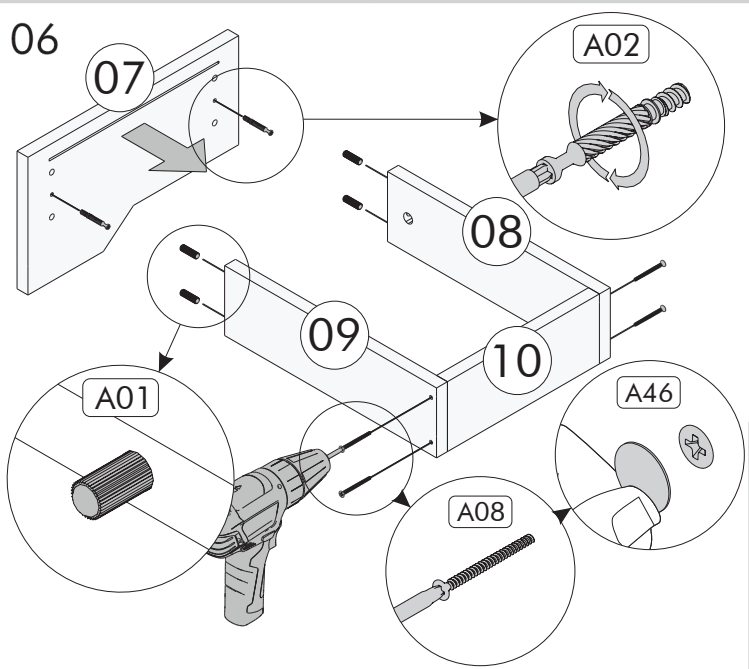
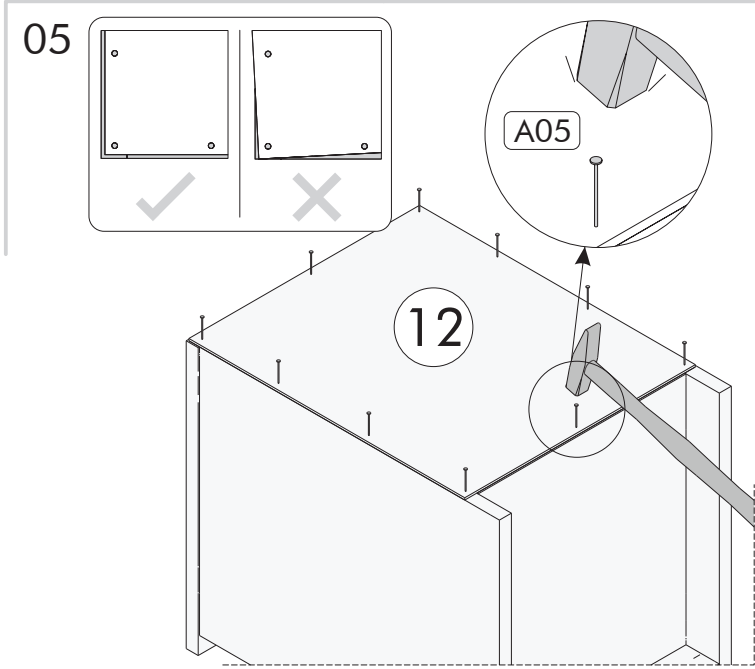
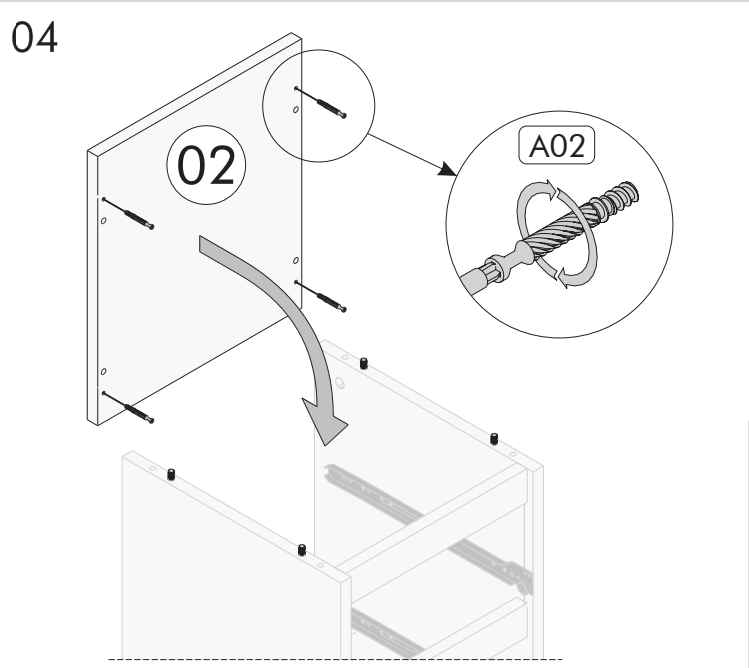
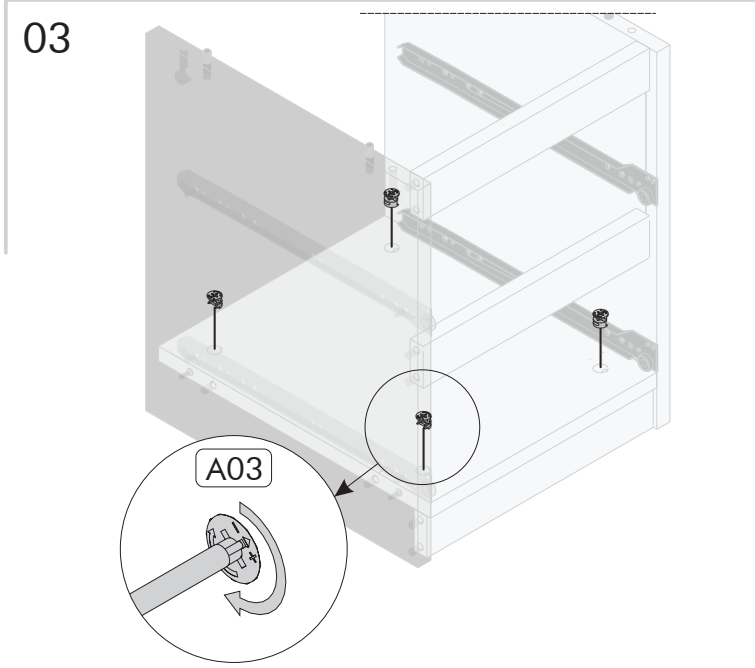
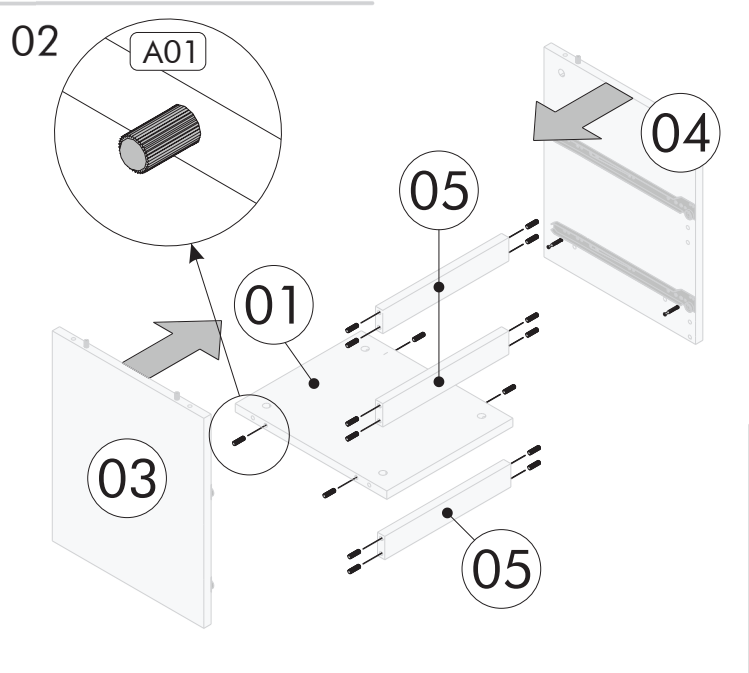
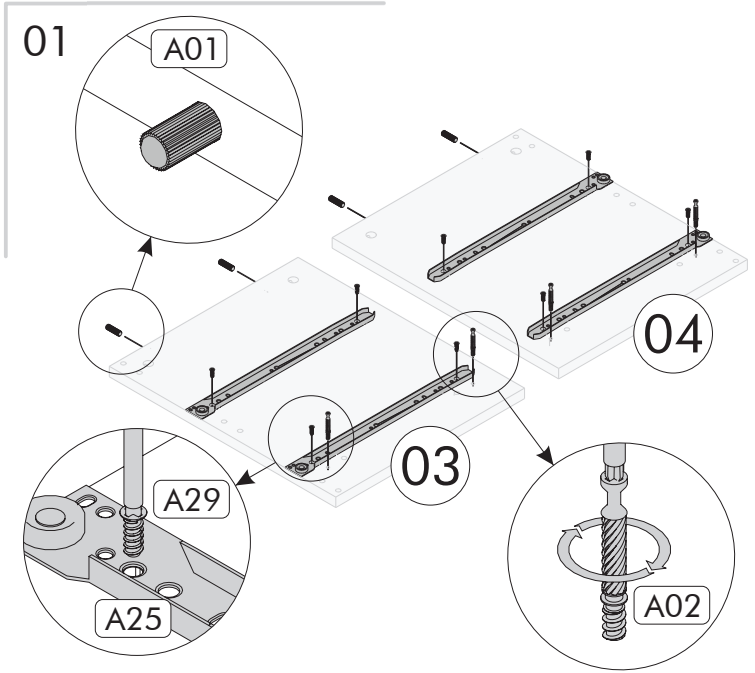
You can contact our company about the topics you are curious about.



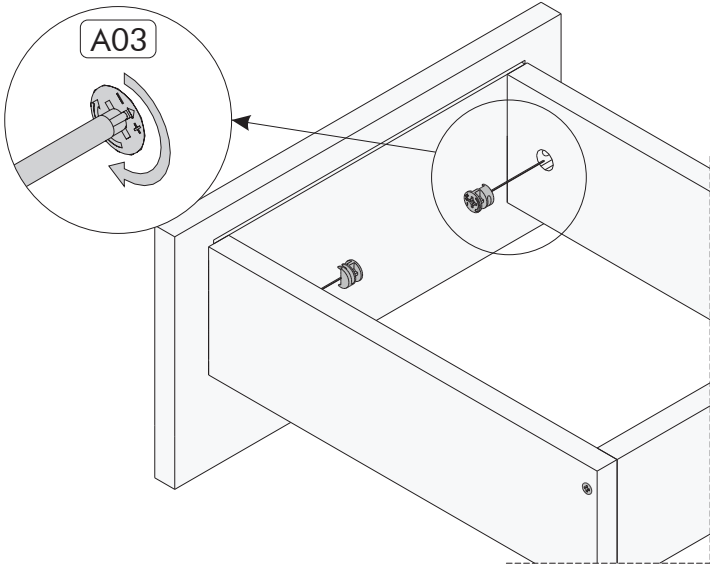
LIST OF PART

A LIST OF ACCESSORY

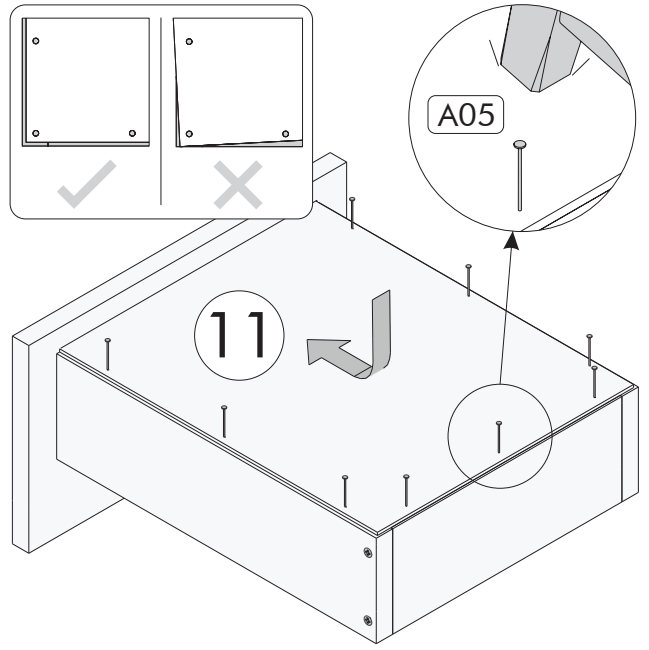
Code	Dimension	Pieces	A LIST OF ACCESSORY			
01	31.2 x 37.5 x 1.8 cm	1	 x28	 x12	 x12	 x8
02	34.9 x 40 x 1.8 cm	1	A01 Kavela	A02 Mil	A03 Gövde	A46 Küçük Tapa
03	37.5 x 45 x 1.8 cm	1	 x22	 x8	 x2	 x8
04	37.5 x 45 x 1.8 cm	1	A05 Arkalık Çivisi	A06 3.5x18	A26 Ray 35 cm	A29 Ray Vidası
05	5 x 31.2 x 1.8 cm	3	 x8			
07	19.6 x 34.8 x 1.8 cm	2	A08 4x50			
08	10 x 35 x 1.8 cm	2				
09	10 x 35 x 1.8 cm	2				
10	10 x 25.1 x 1.8 cm	2				
11	28.3 x 35.3 x 0.3 cm	2				
12	34.6 x 41.4 x 0.3 cm	1				



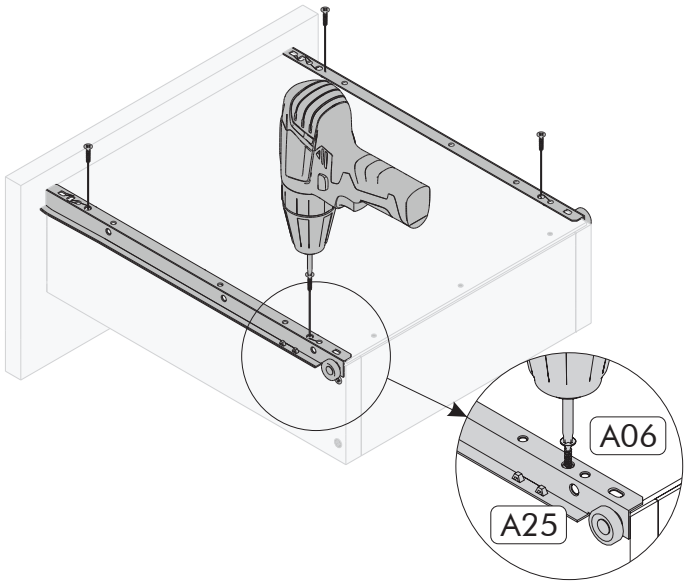
07



08



09



10

