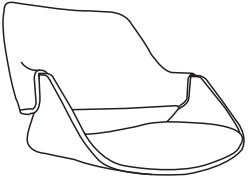
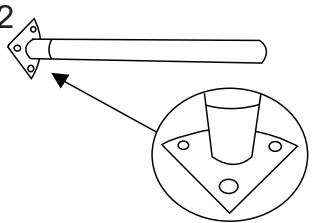
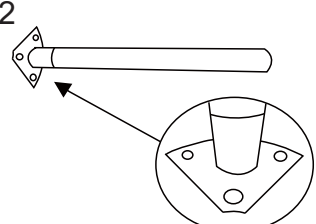



ASSEMBLY INSTRUCTION

Ax1	
Bx2	
Cx2	
Dx12	 M6*18mm
Fx1	