
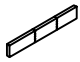




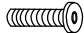
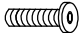



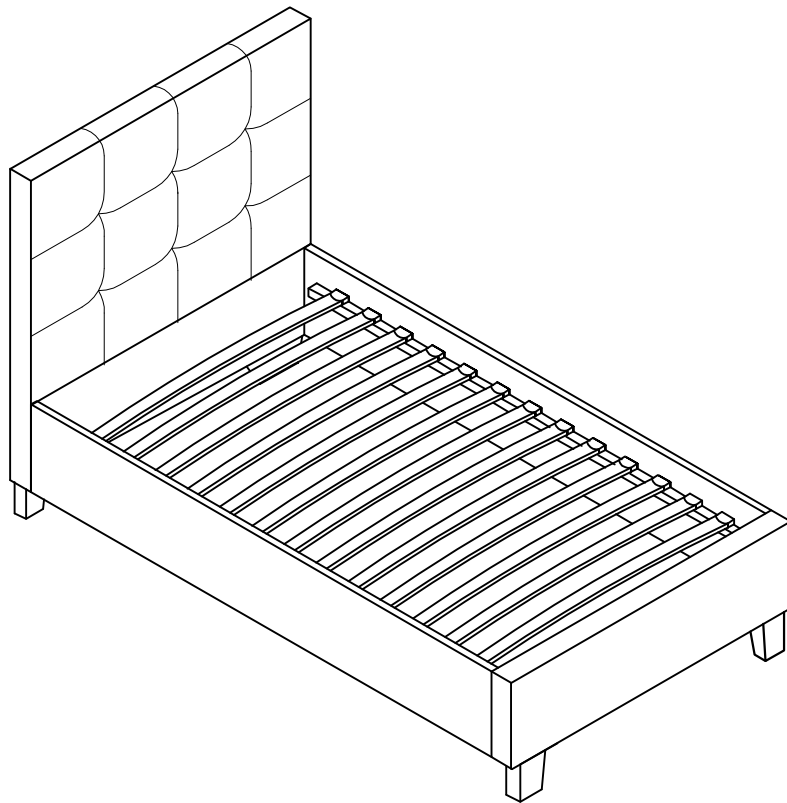


ASSEMBLY DIAGRAM

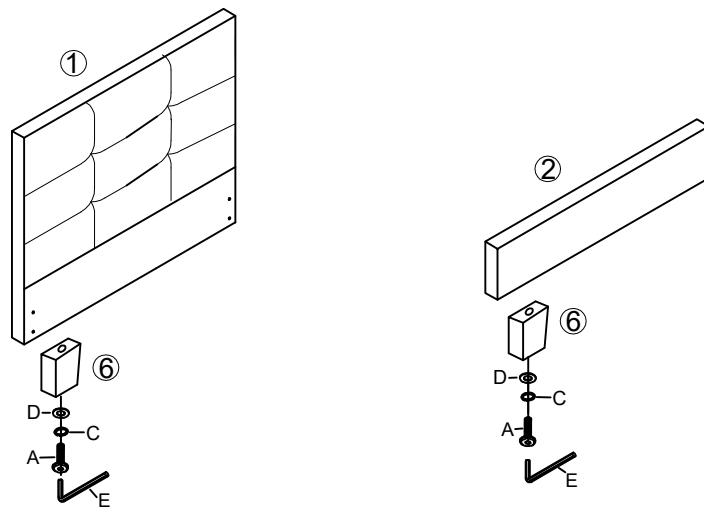
IMPORTANT NOTE:

- ※PLACE ALL PARTS ON A CLEAN AND SMOOTH SURFACE SUCH AS A RUG OR CARPET TO AVOID THE PARTS FROM BEING SCRATCHED.
- ※KINDLY FOLLOW THE ASSEMBLY INSTRUCTIONS STEP BY STEP.
- ※DO NOT TIGHTEN ALL SCREWS UNTIL THE BED IS FULLY SET-UP.

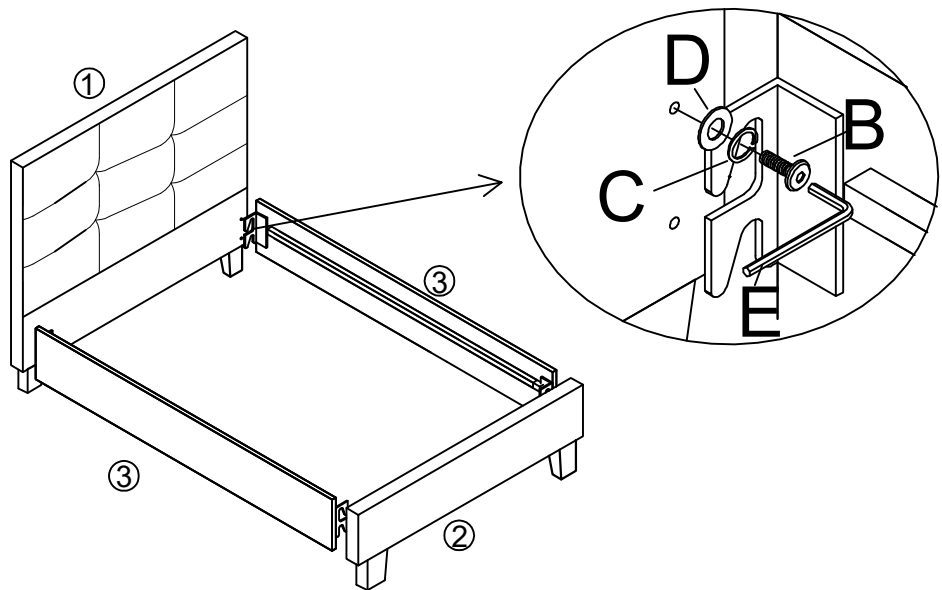
PARTS LIST & HARDWARE LIST					
1:HEAD BOARD 1pc 	2:FOOT BOARD 1PC 	3:SIDE RAIL 2PCS 	4:SLAT 13PC 	5: SINGLE PLASTIC CAP 26PCS 	6 : LEG 4PCS 
A:BOLT 4PCS  M8X75mm	B:BOLT 8PCS  M8X30mm	C:SPRING WASHER 12PCS 	D:FLAT WASHER 12PCS 	E:ALLEN KEY 1PC  M8	



1



2



3

