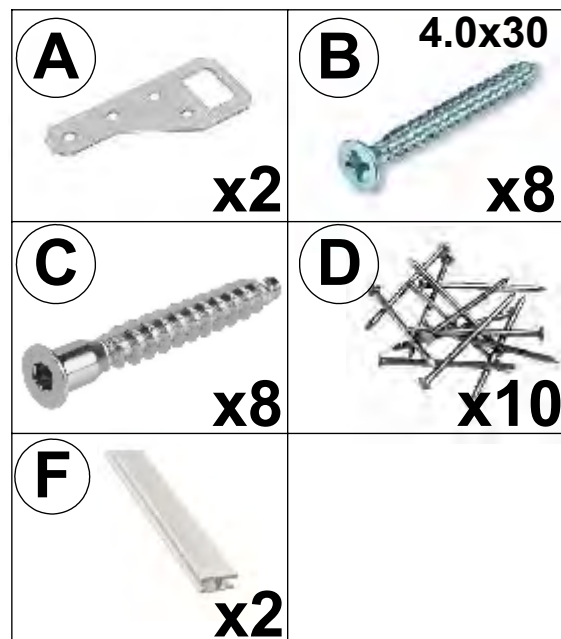
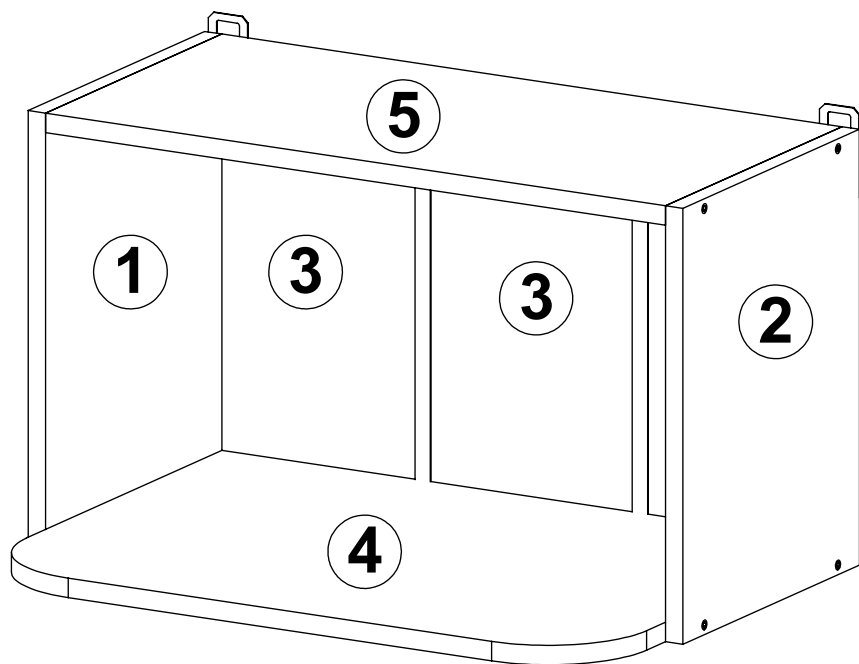
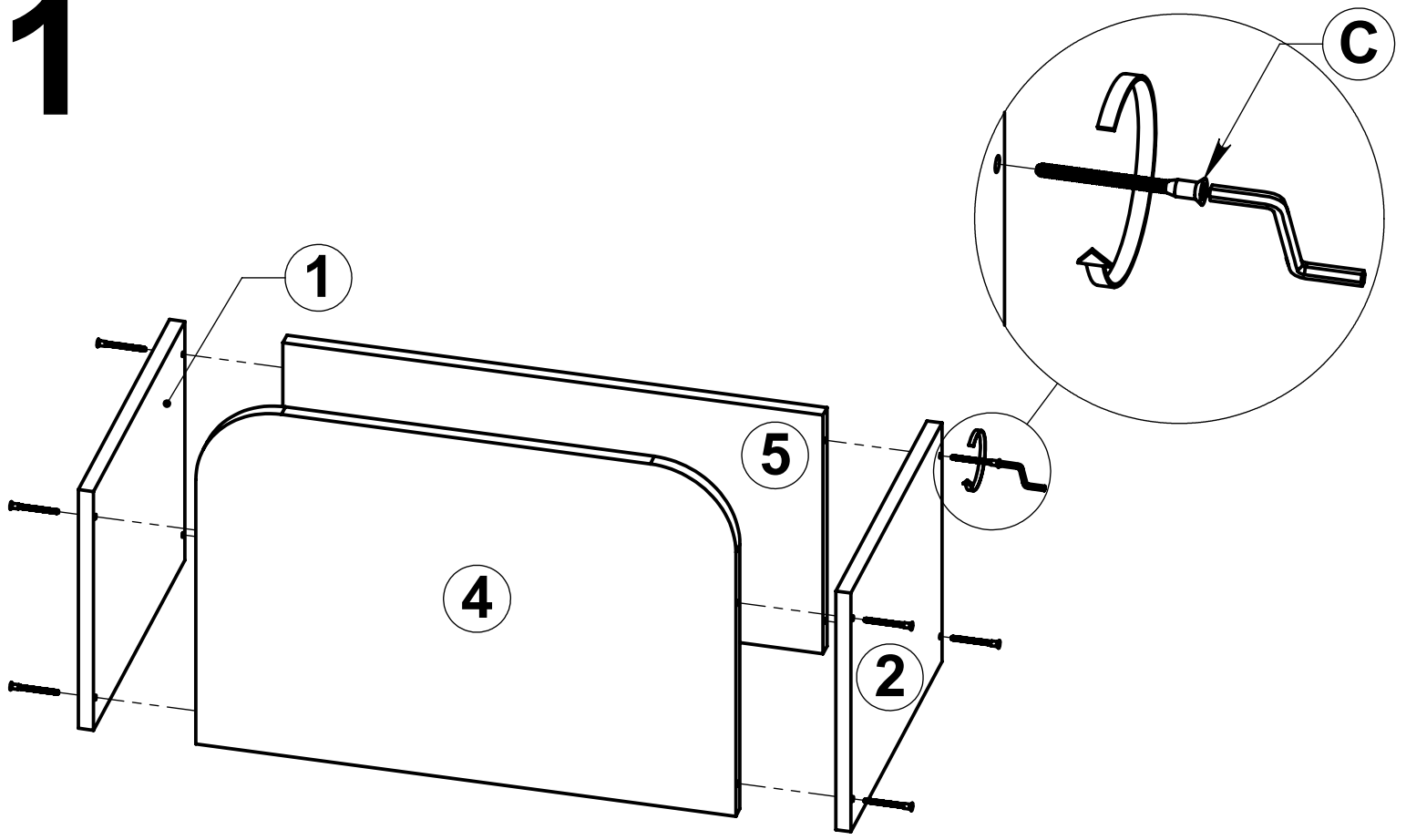


# Wall Units 72



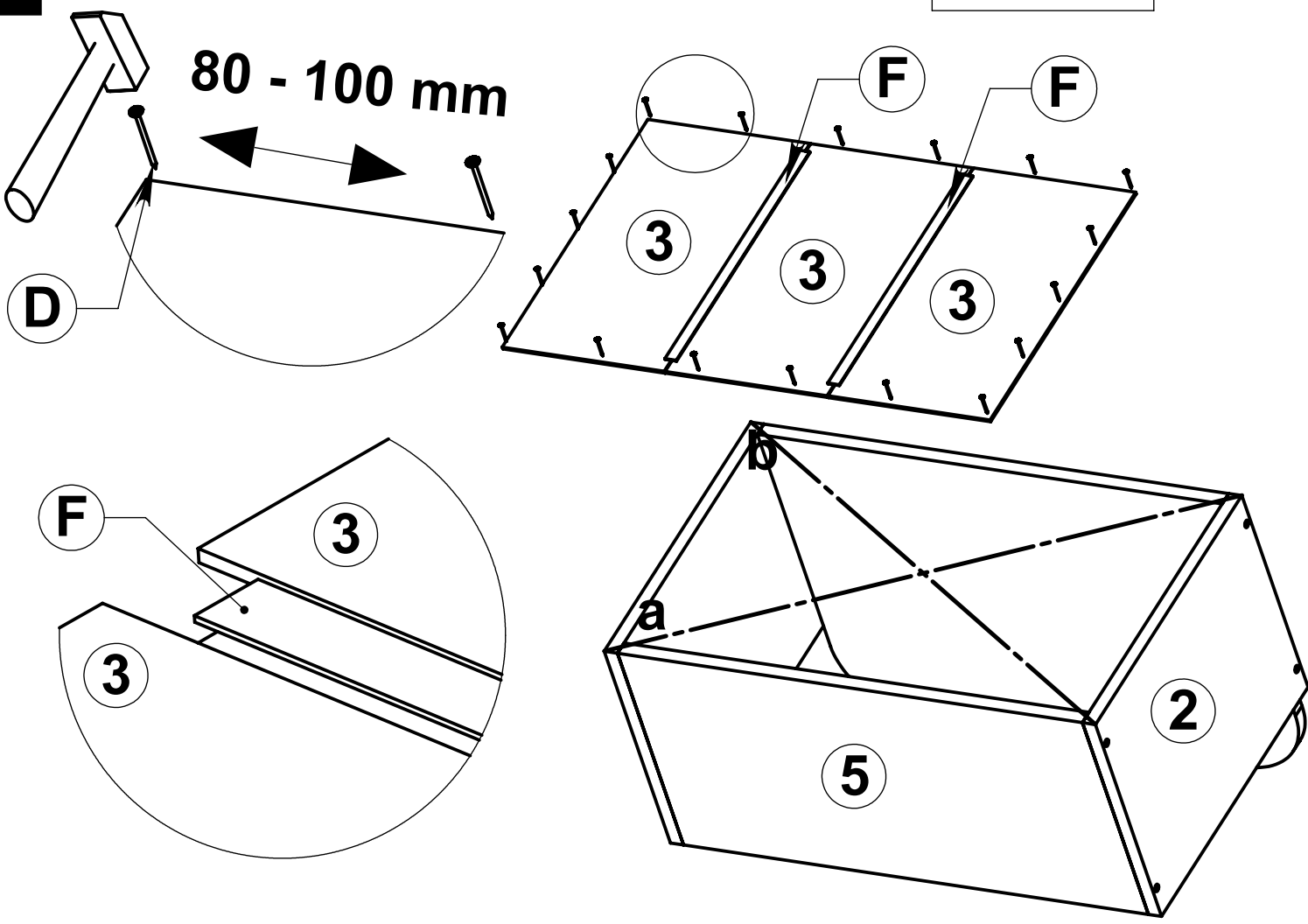
No	WM6036	X
①	358x280	1
②	358x280	1
③	356x198	3
④	568x400	1
⑤	568x280	1

# 1



# 2

**a = b**



# 3

