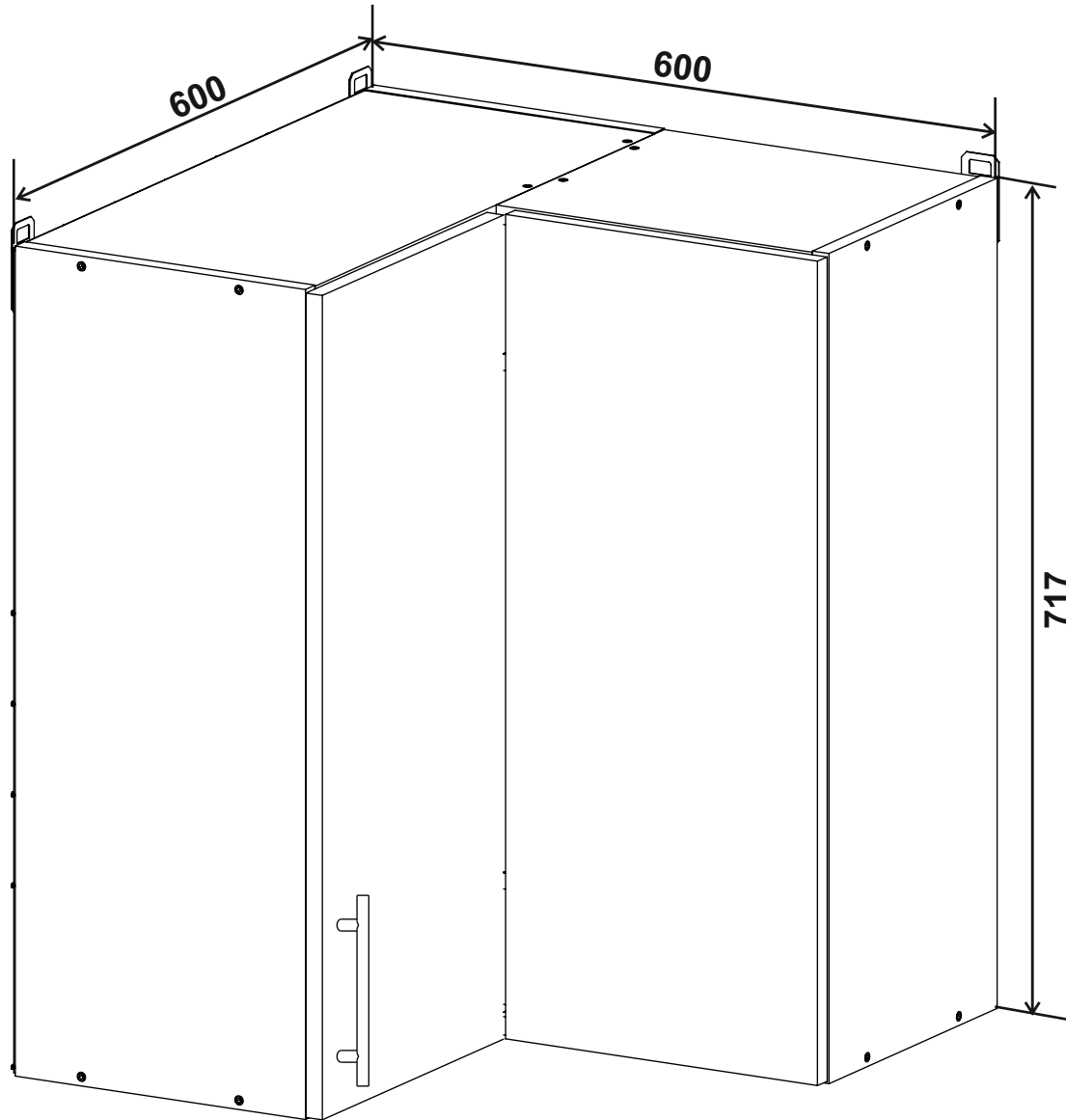
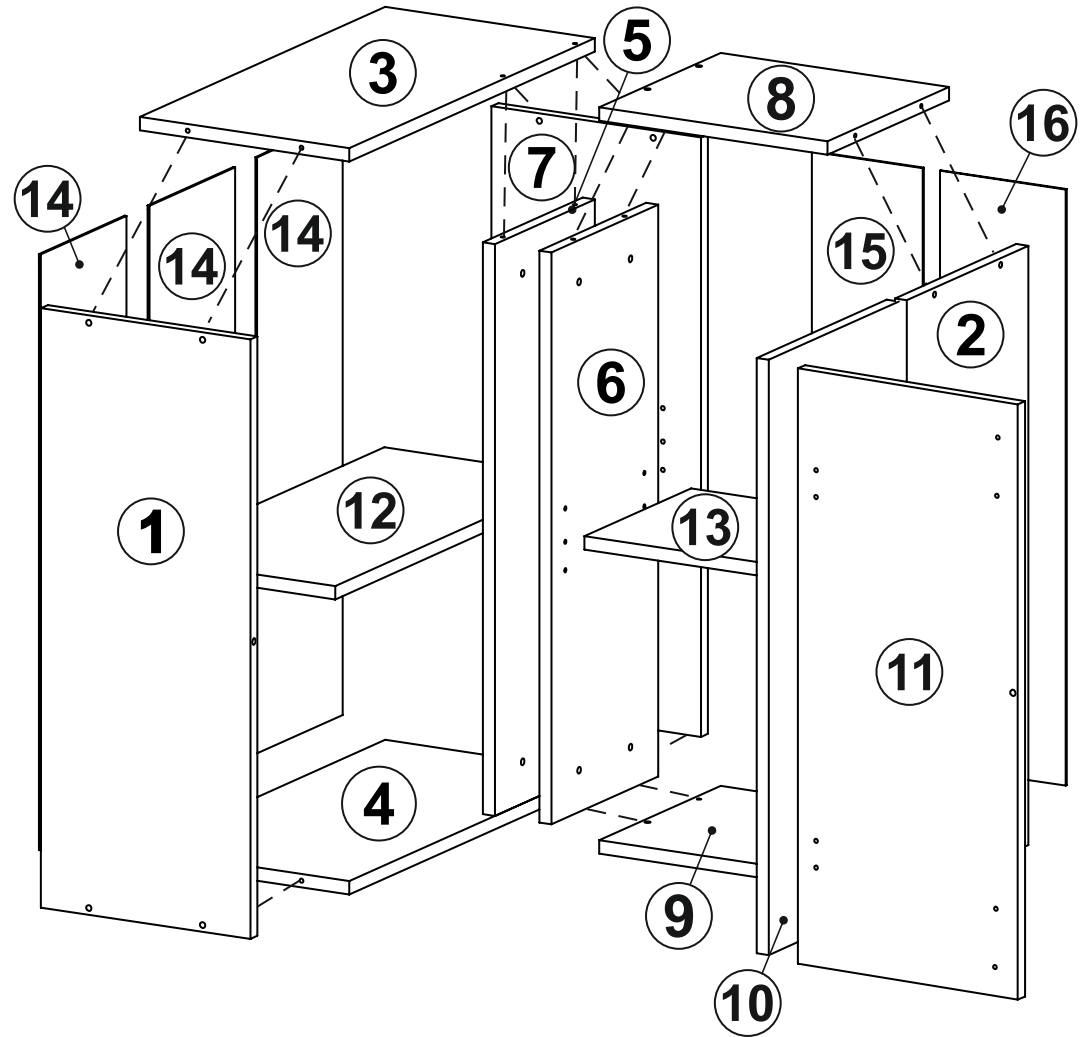
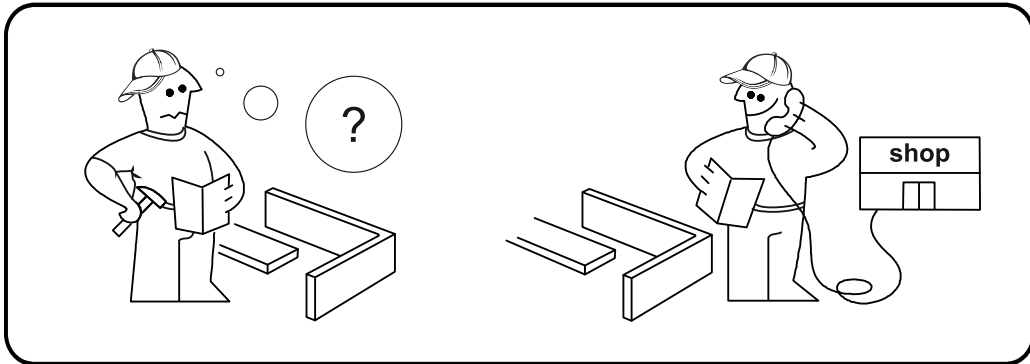
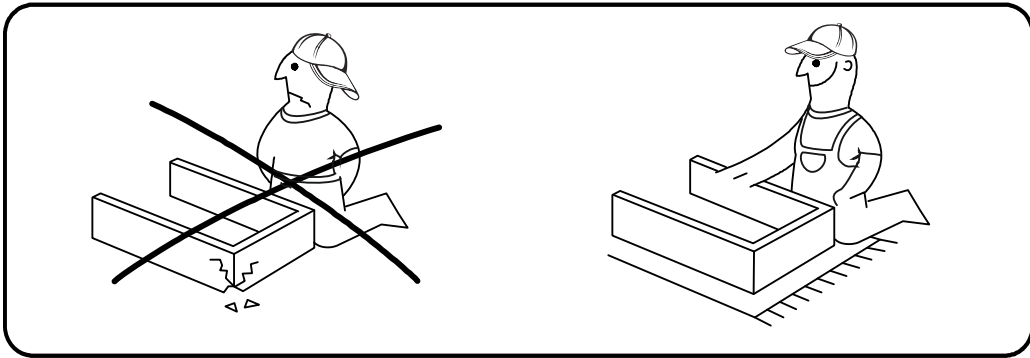
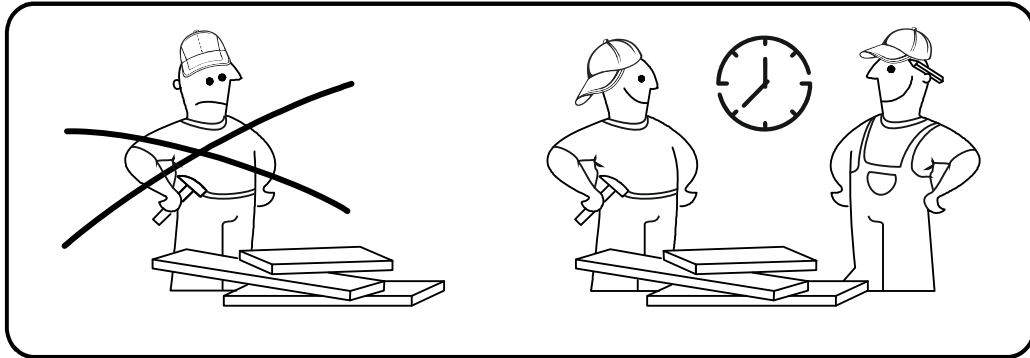
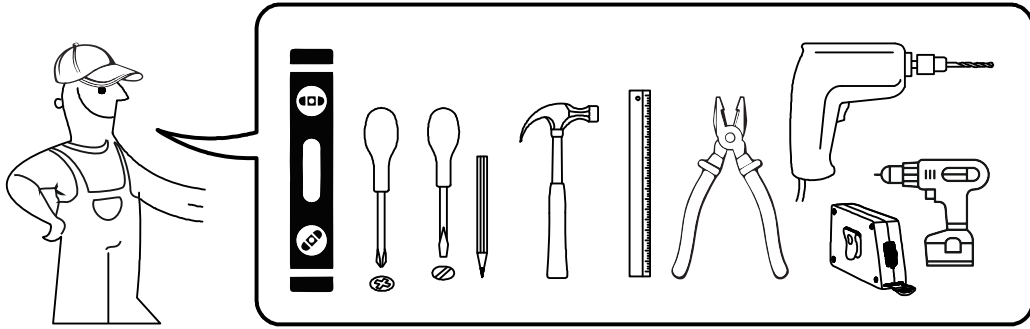
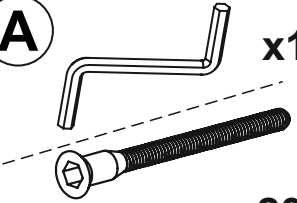
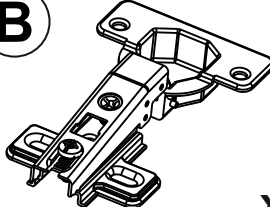
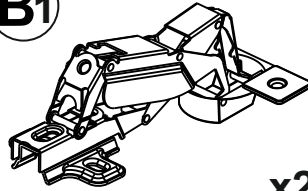
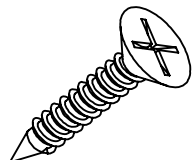
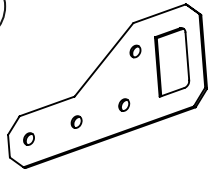
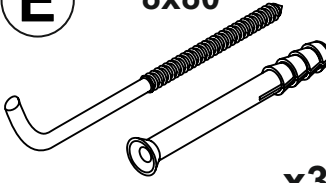
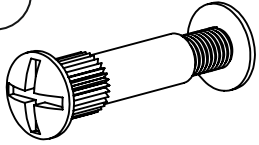
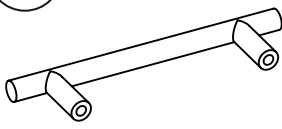
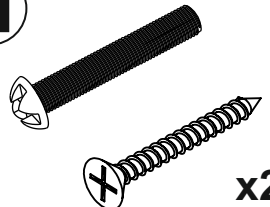
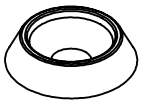
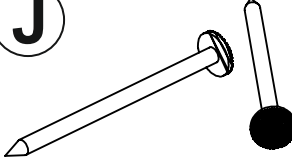
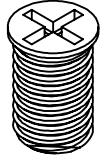
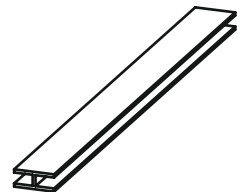
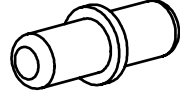
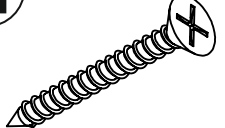

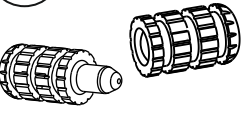


# WG6072



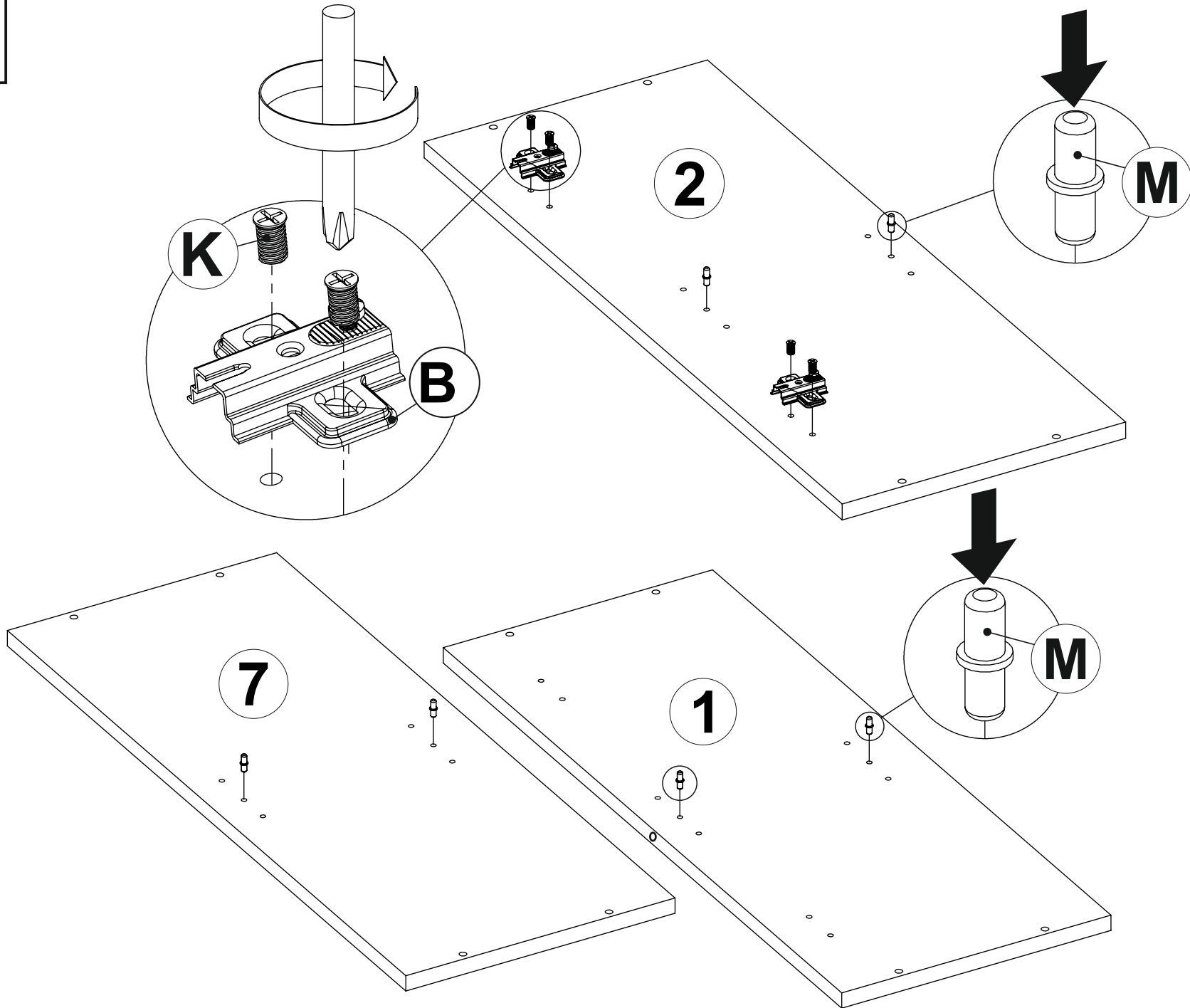


# WG6072

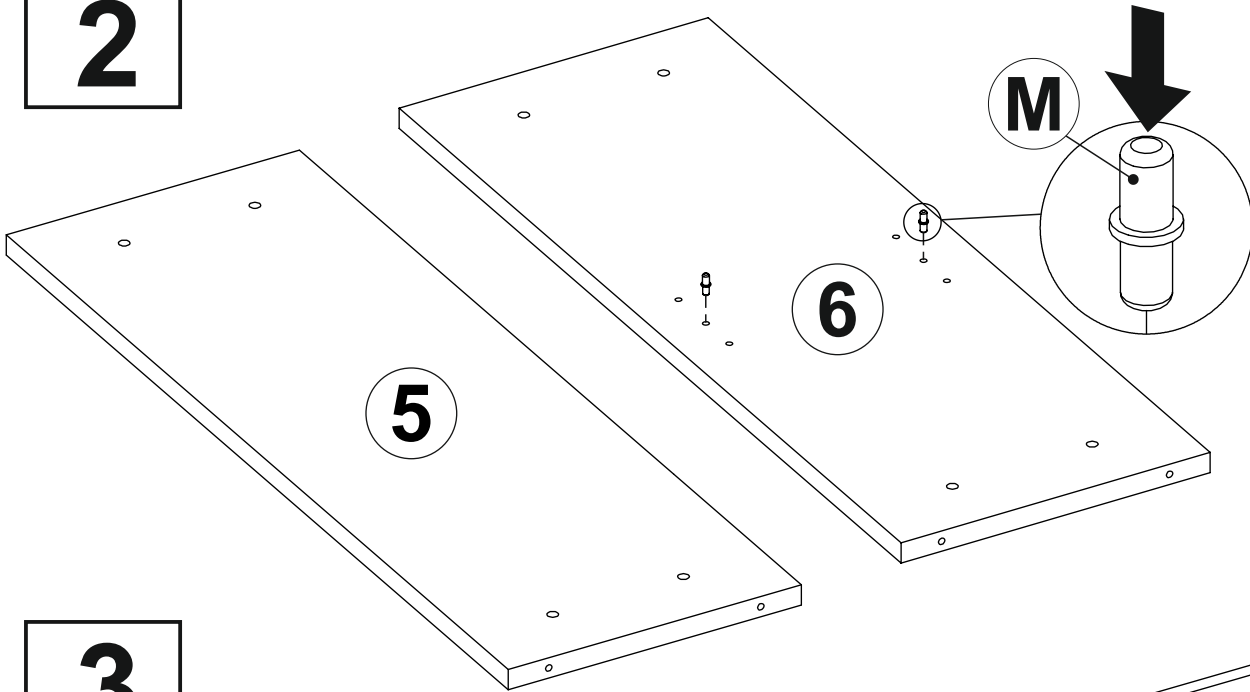
<b>A</b>  x1 x20	<b>B</b>  x2	<b>B1</b>  x2	<b>C</b> 4x16  x8
<b>D</b>  x3	<b>E</b> 8x80  x3	<b>F</b>  x4	<b>G</b>  x1
<b>H</b> 4x25  x2	<b>I</b>  x2	<b>J</b>  20g	<b>K</b>  x8
 684mm x3	<b>M</b>  x8	<b>N</b> 4x30  x12	<b>O</b> 3x13  Only for Craft series x2
<b>P</b>  x1			

No	a x b x c	x	Paket
1	717x280x16	1	1/1
2	717x280x16	1	1/1
3	568x280x16	1	1/1
4	568x280x16	1	1/1
5	684x230x16	1	1/1
6	684x246x16	1	1/1
7	717x280x16	1	1/1
8	280x304x16	1	1/1
9	280x304x16	1	1/1
10	713x301x16 733x301x16	1	1/2
11	713x301x16 733x301x16	1	1/2
12	566x260x16	1	1/1
13	240x286x16	1	1/1
14	714x198x2,5	3	3/1
15	714x148x2,5	1	1/1
16	714x168x2,5	1	1/1

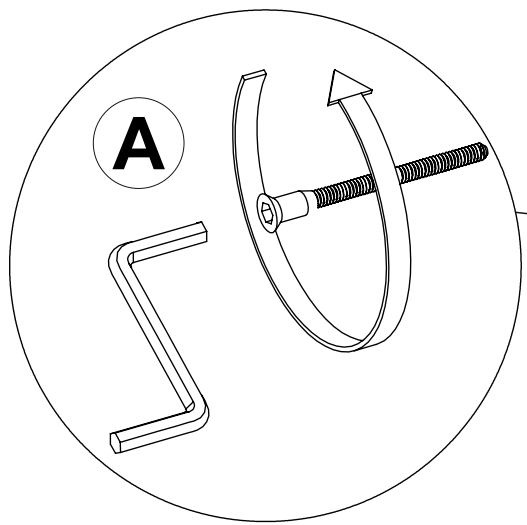
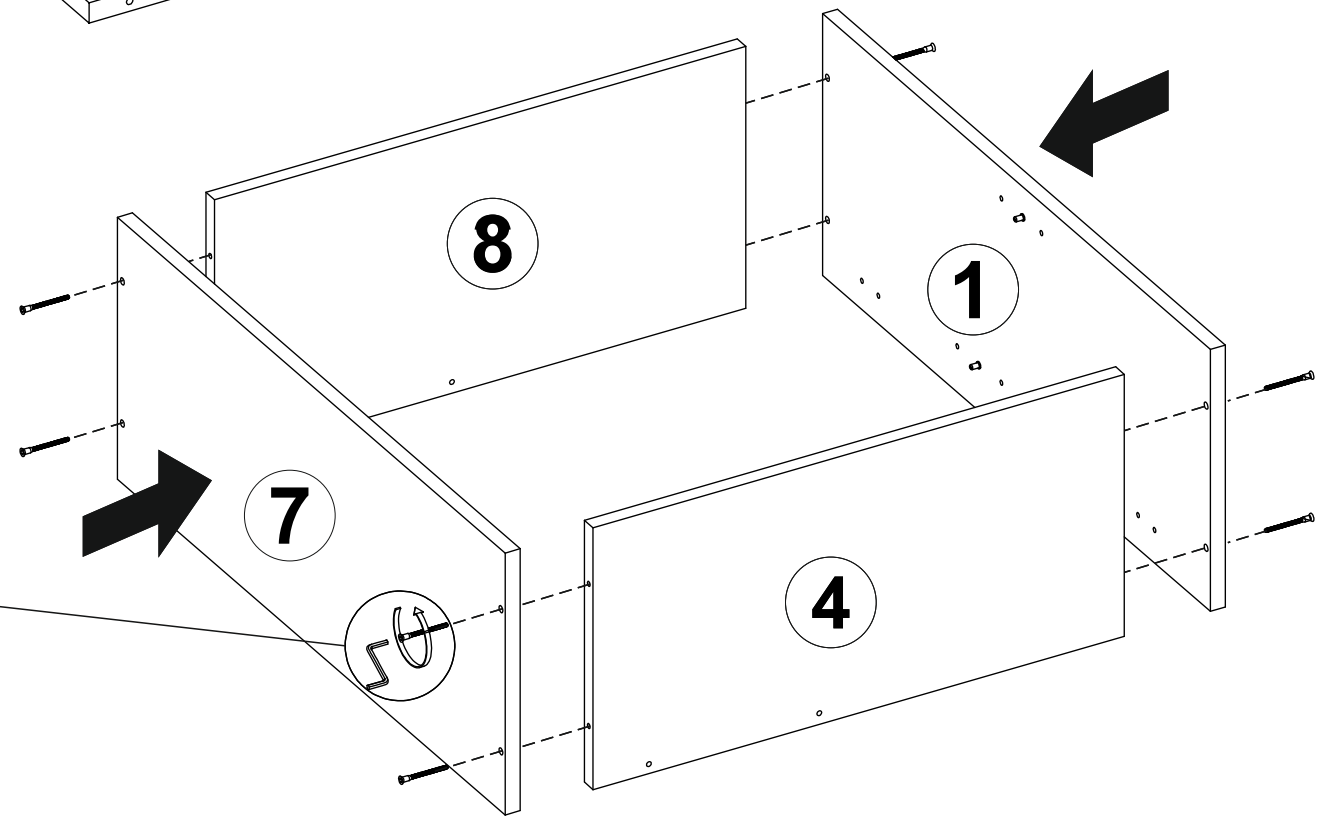
1



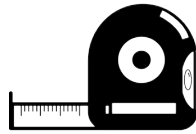
**2**



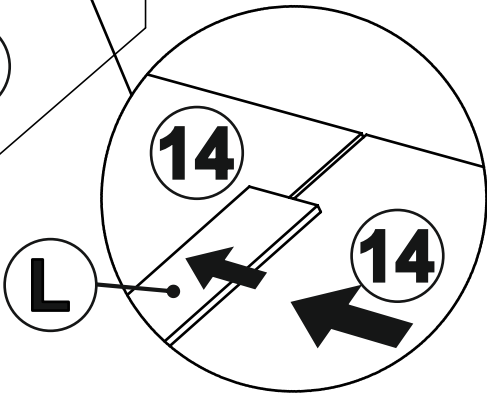
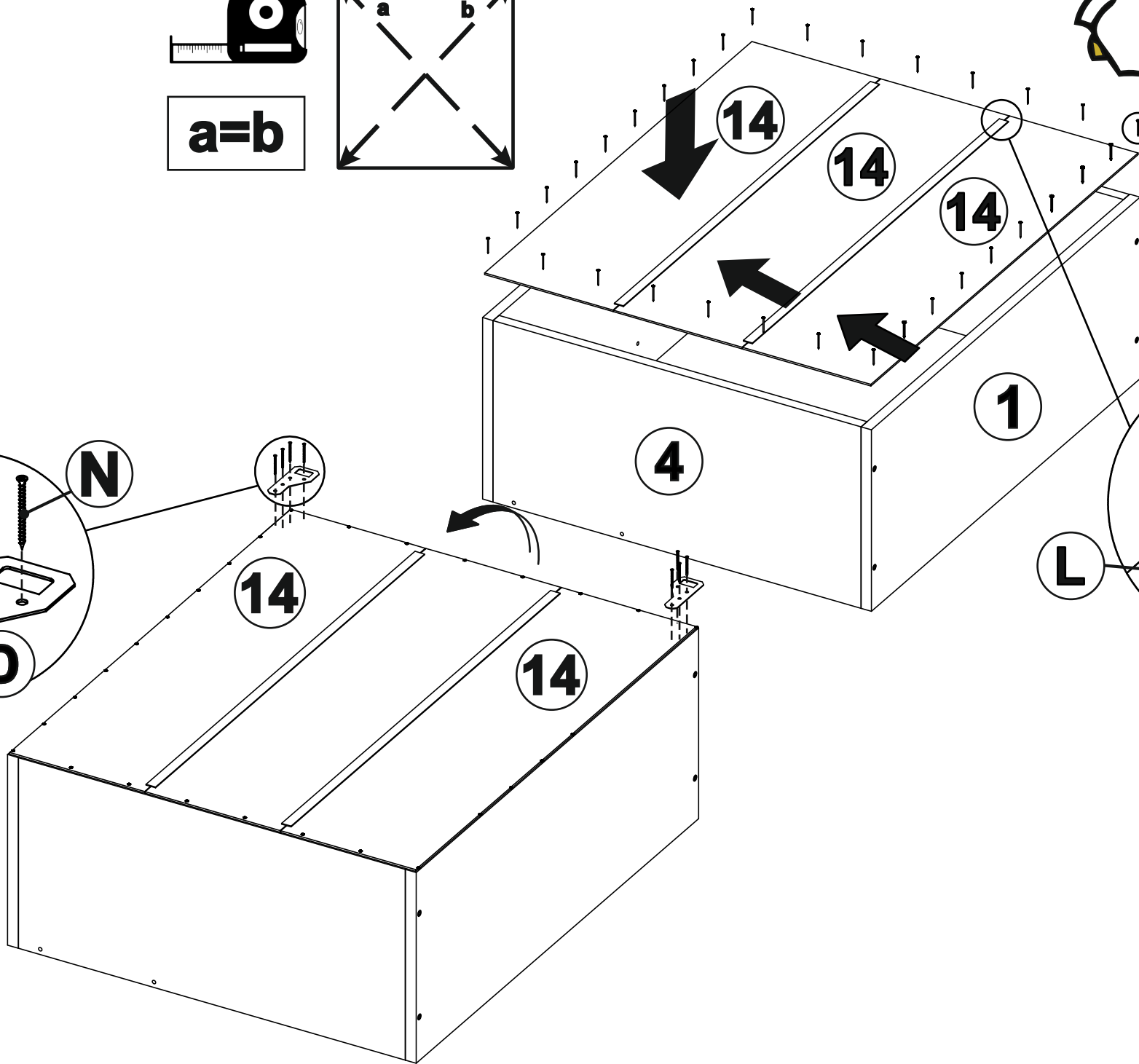
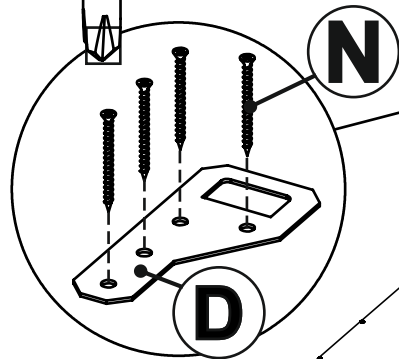
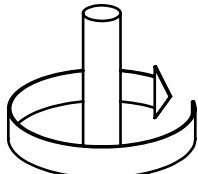
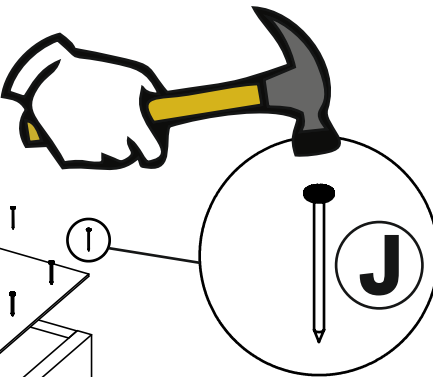
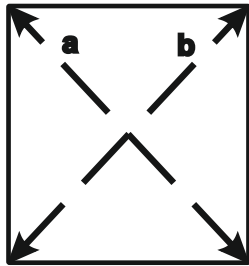
**3**



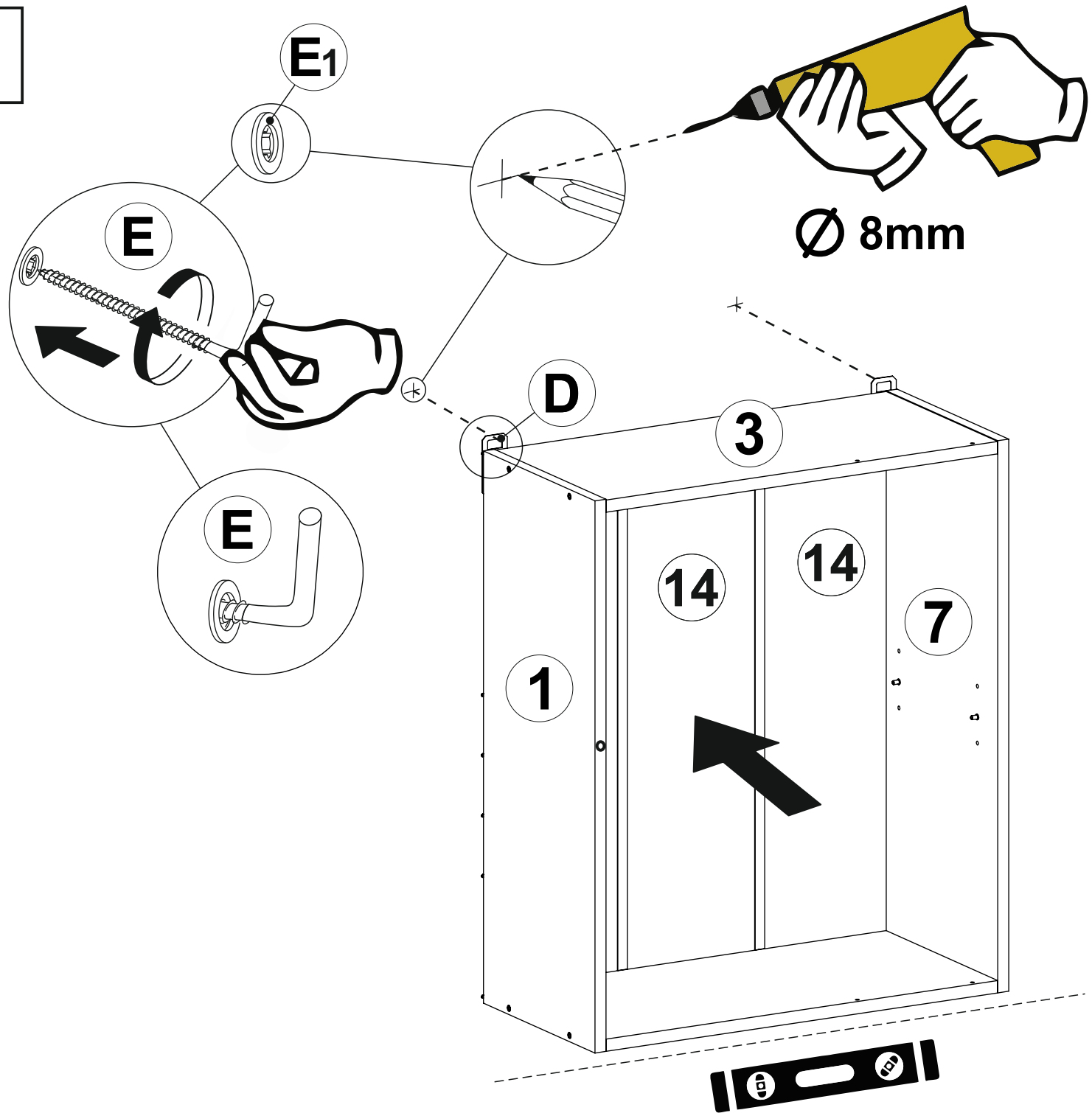
**3**



**a=b**



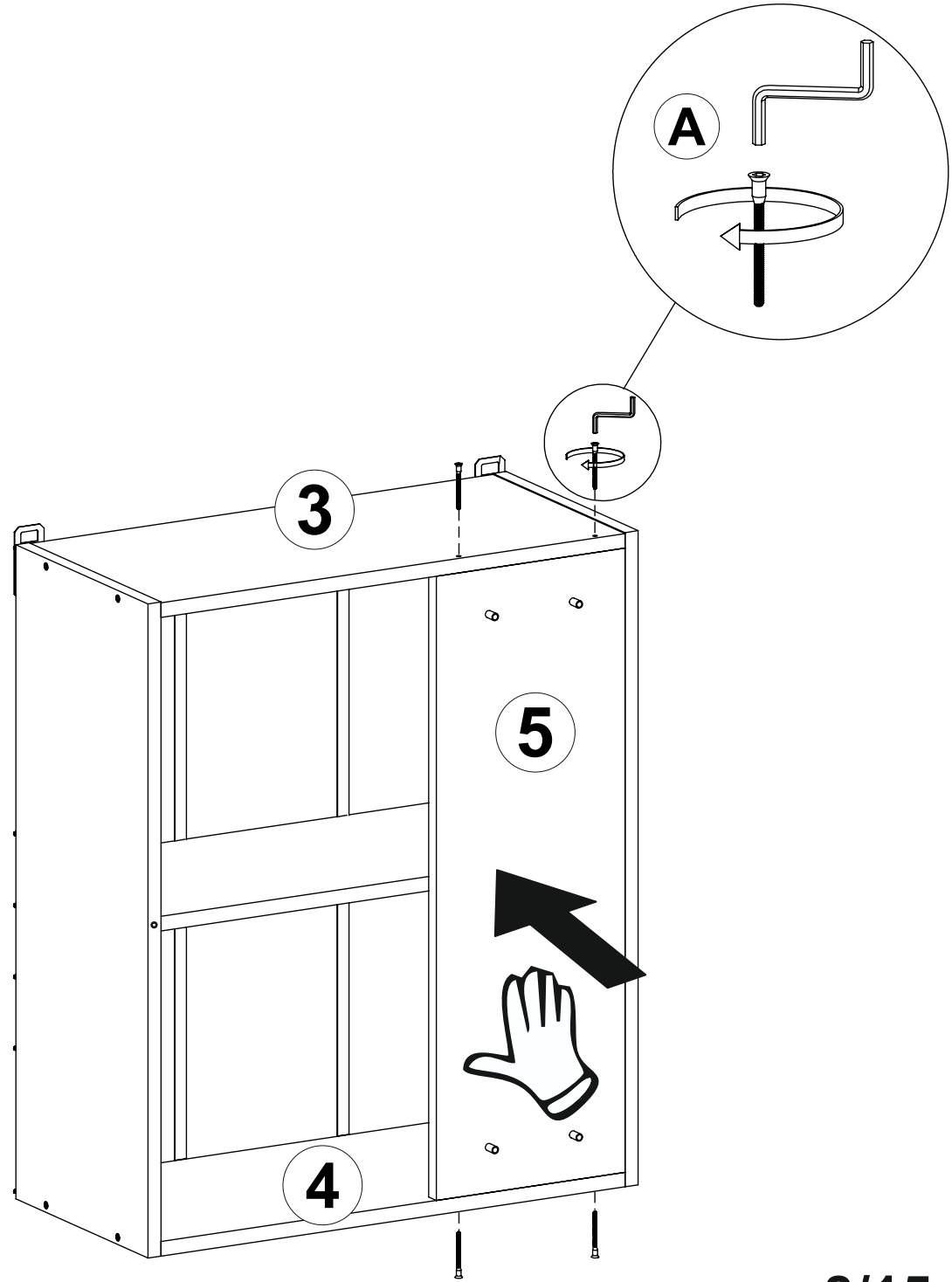
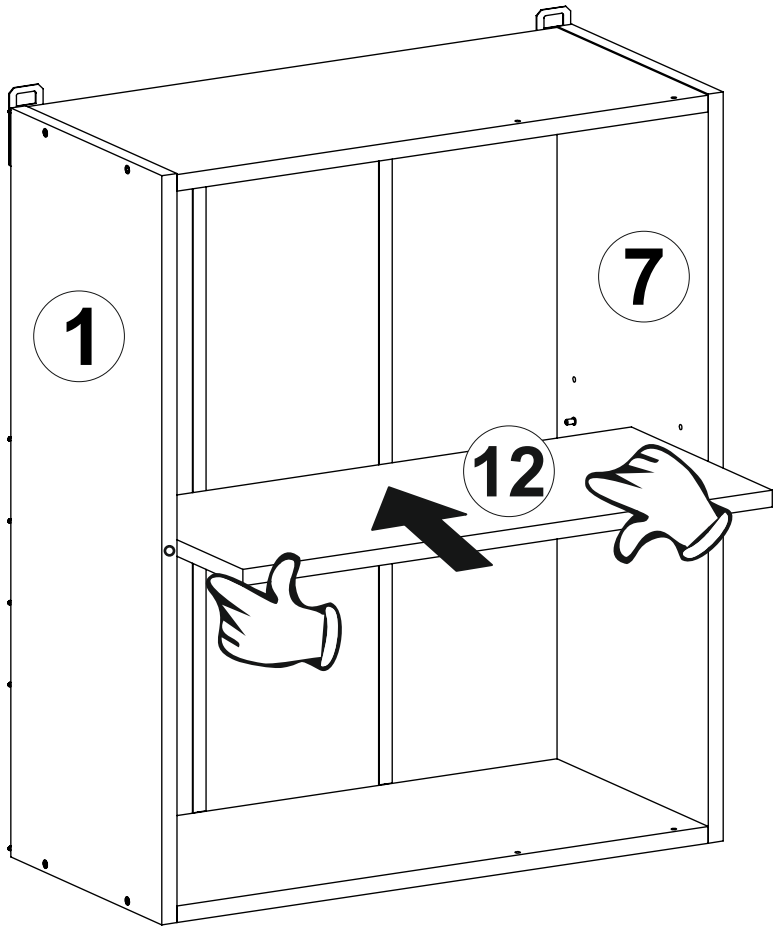
4



**Ø 8 mm**  
Ø 8 mm  
1  
2  
3  
E

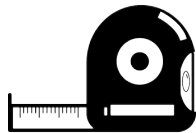
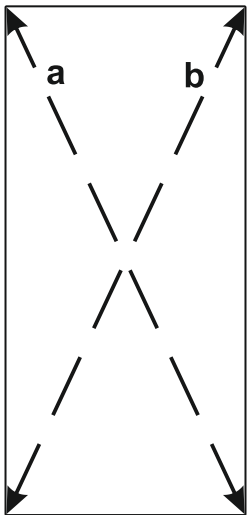
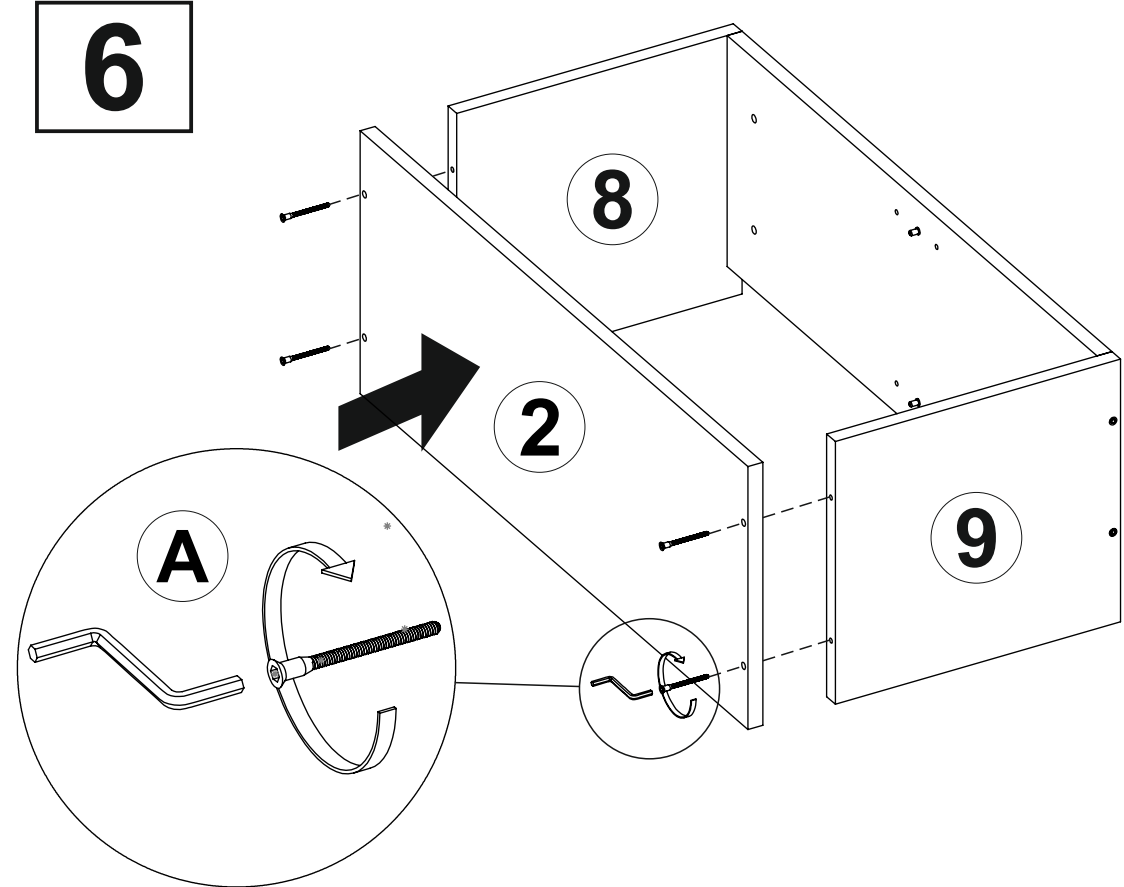
This block lists the tools and materials required for step 4. It includes a pencil (1), an 8x80 drill bit (2), and a drill bit (3). A callout 'E' is also present.

**5**

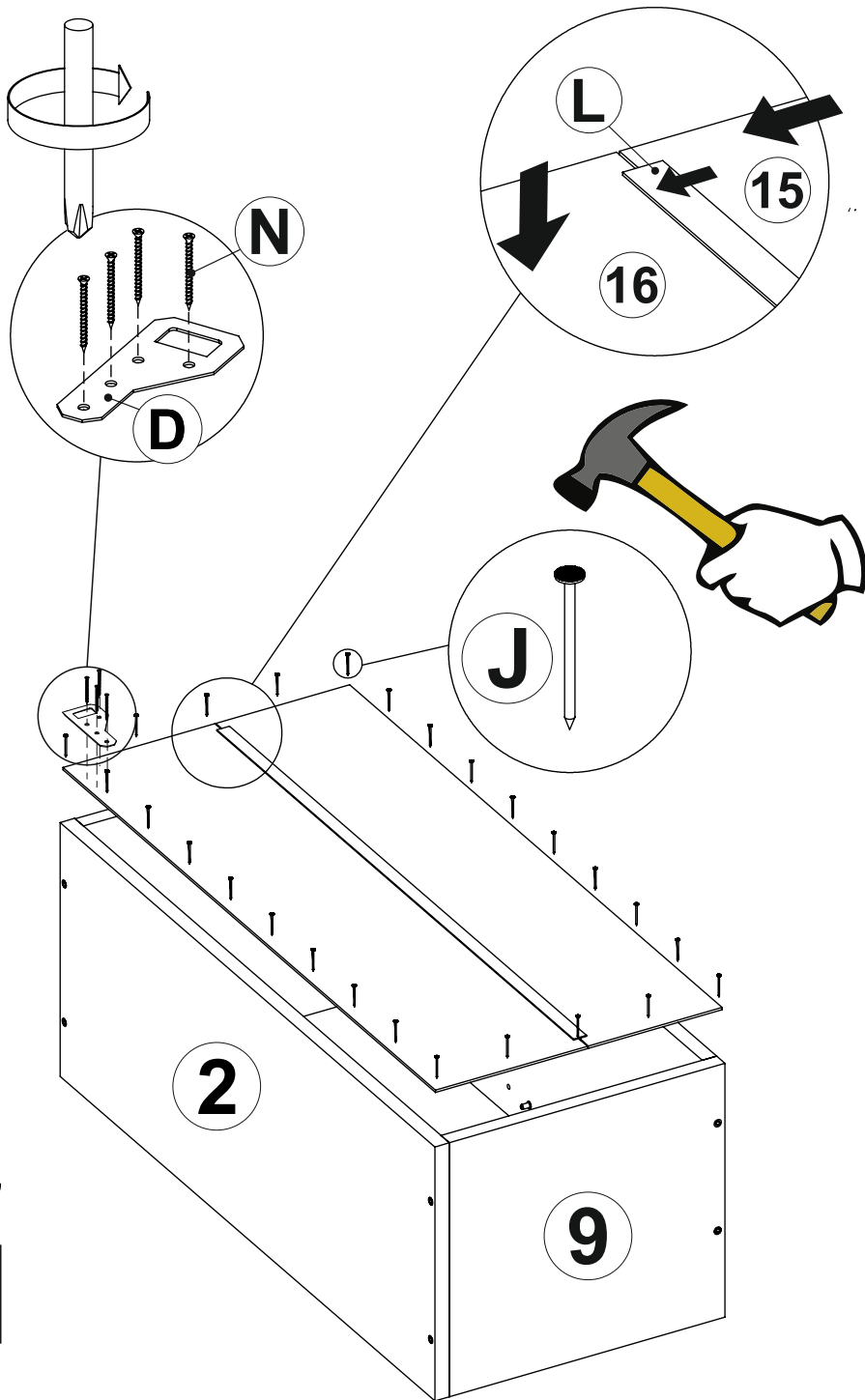




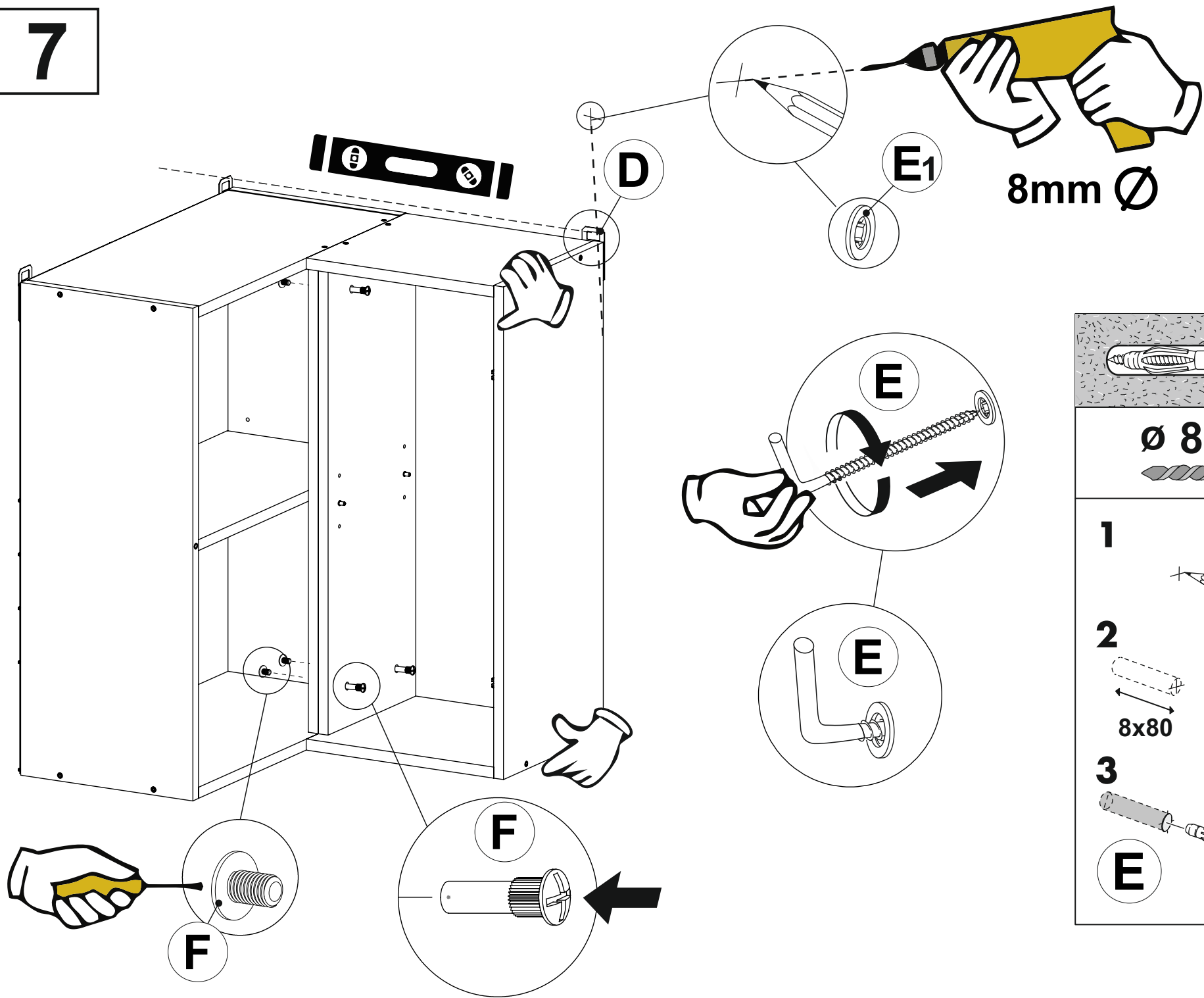
**6**



**a=b**



7



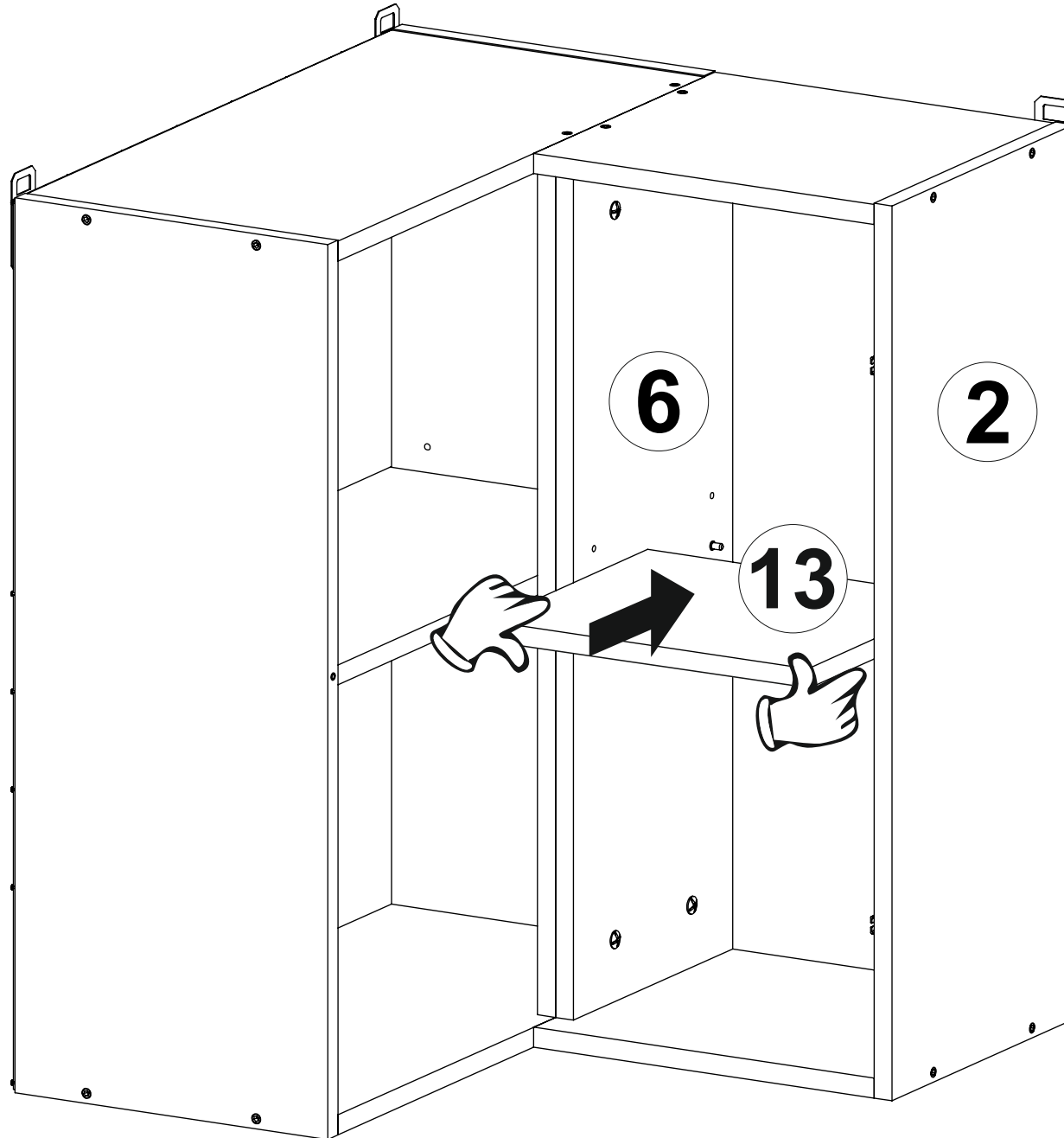
8mm Ø

**Ø 8 mm**  
8x80

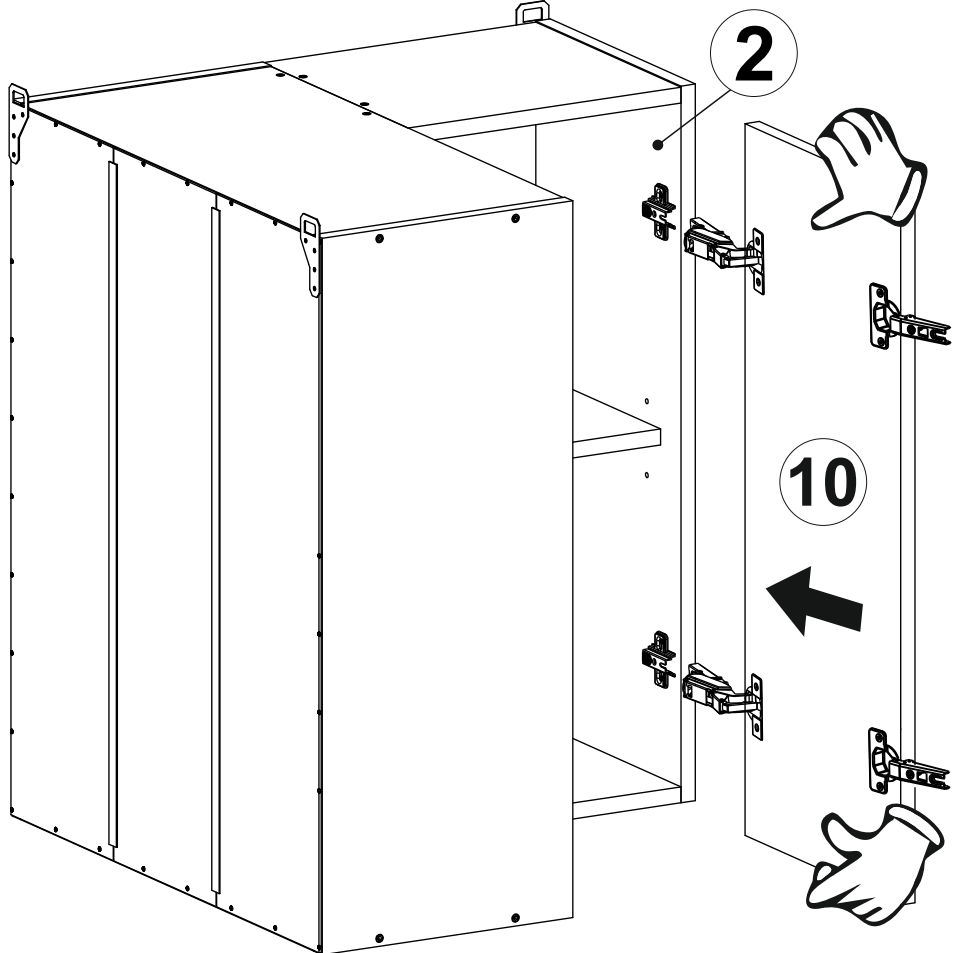
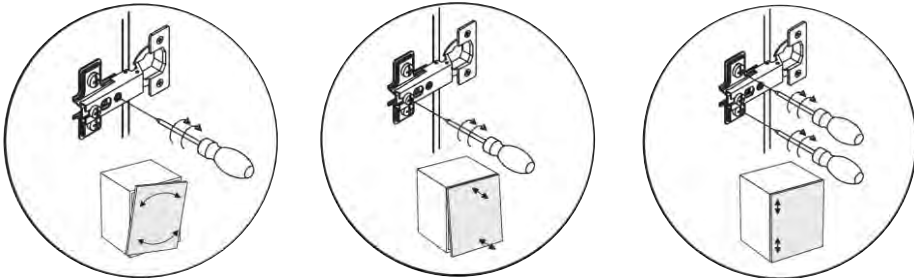
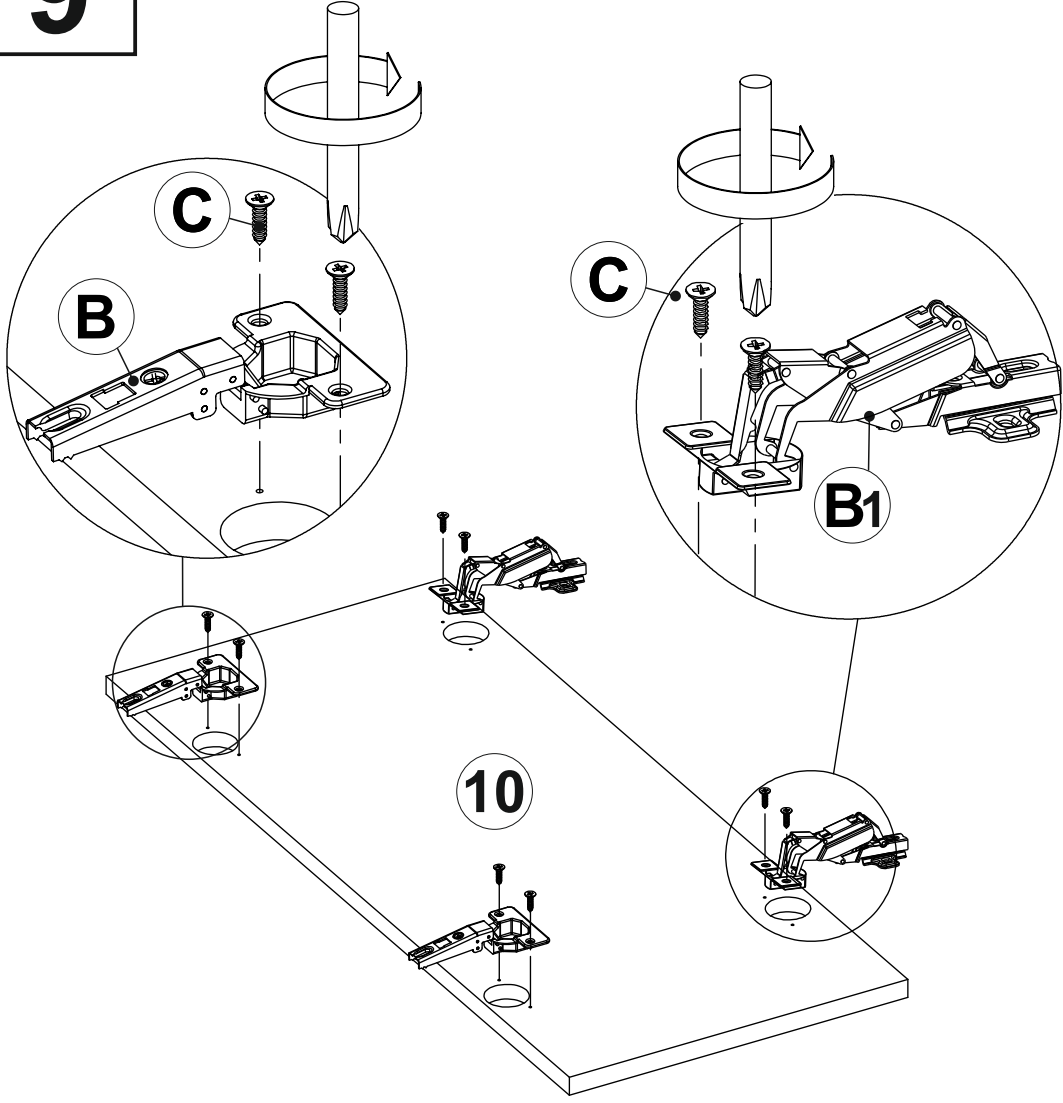
- 1
- 2
- 3

**E**

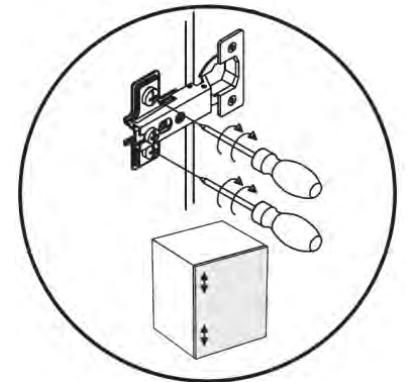
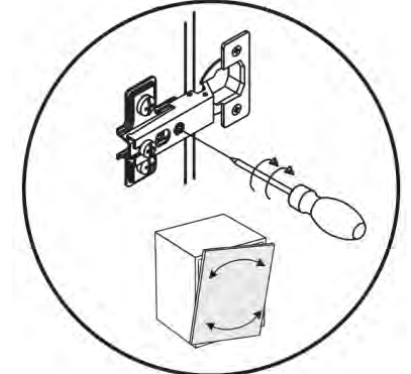
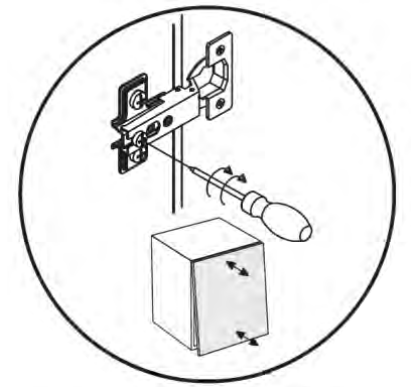
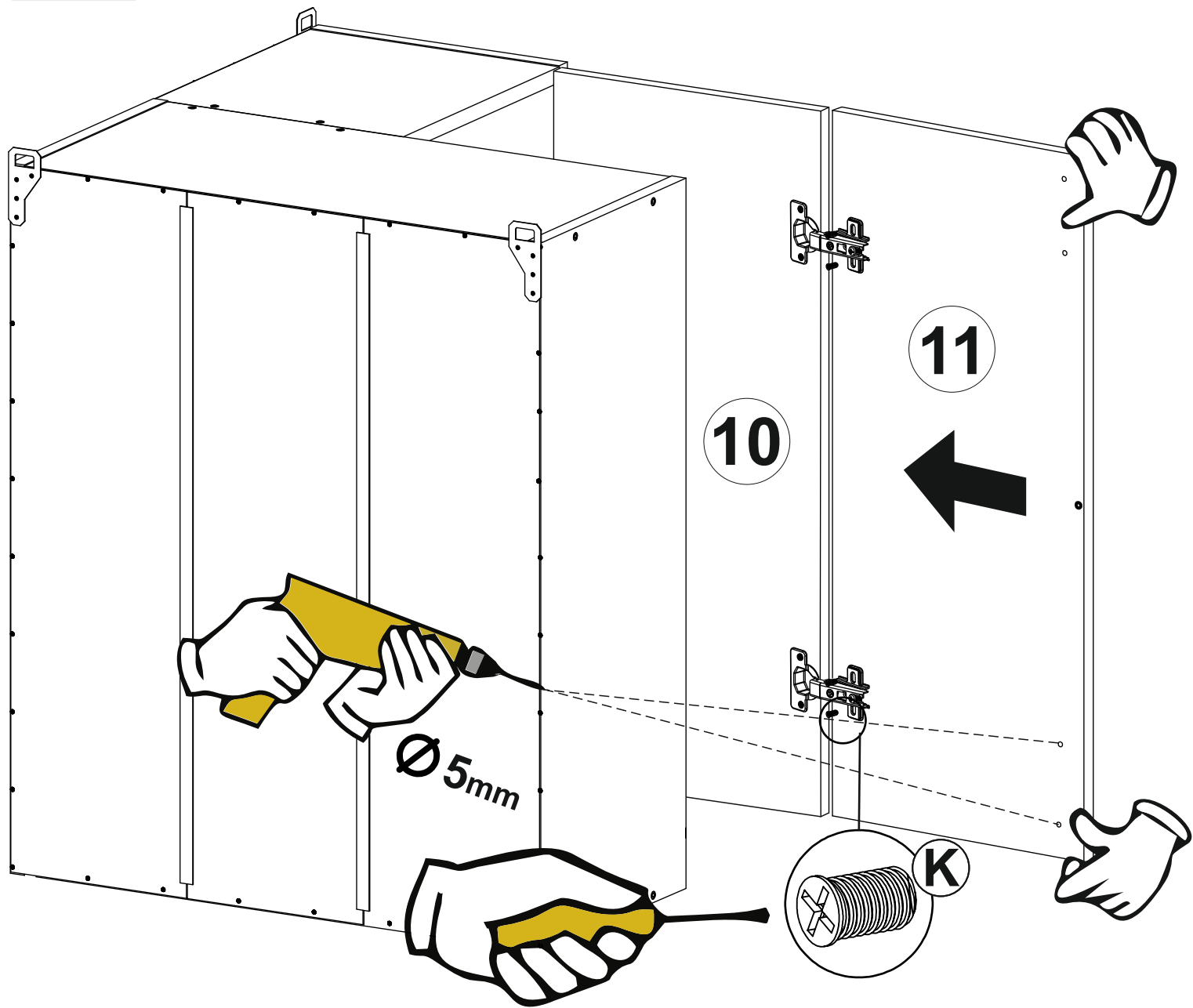
8



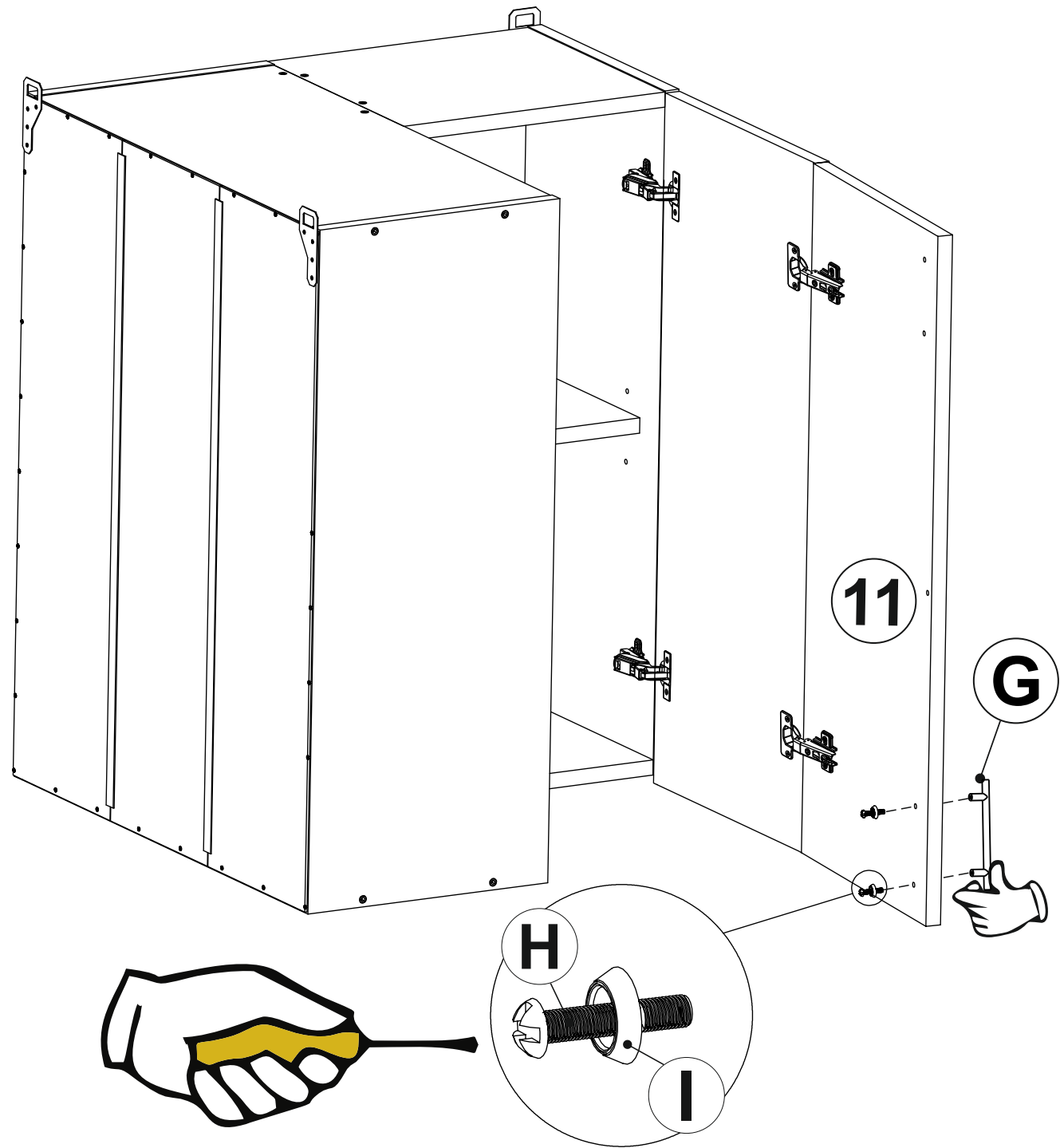
9



10



11



12

