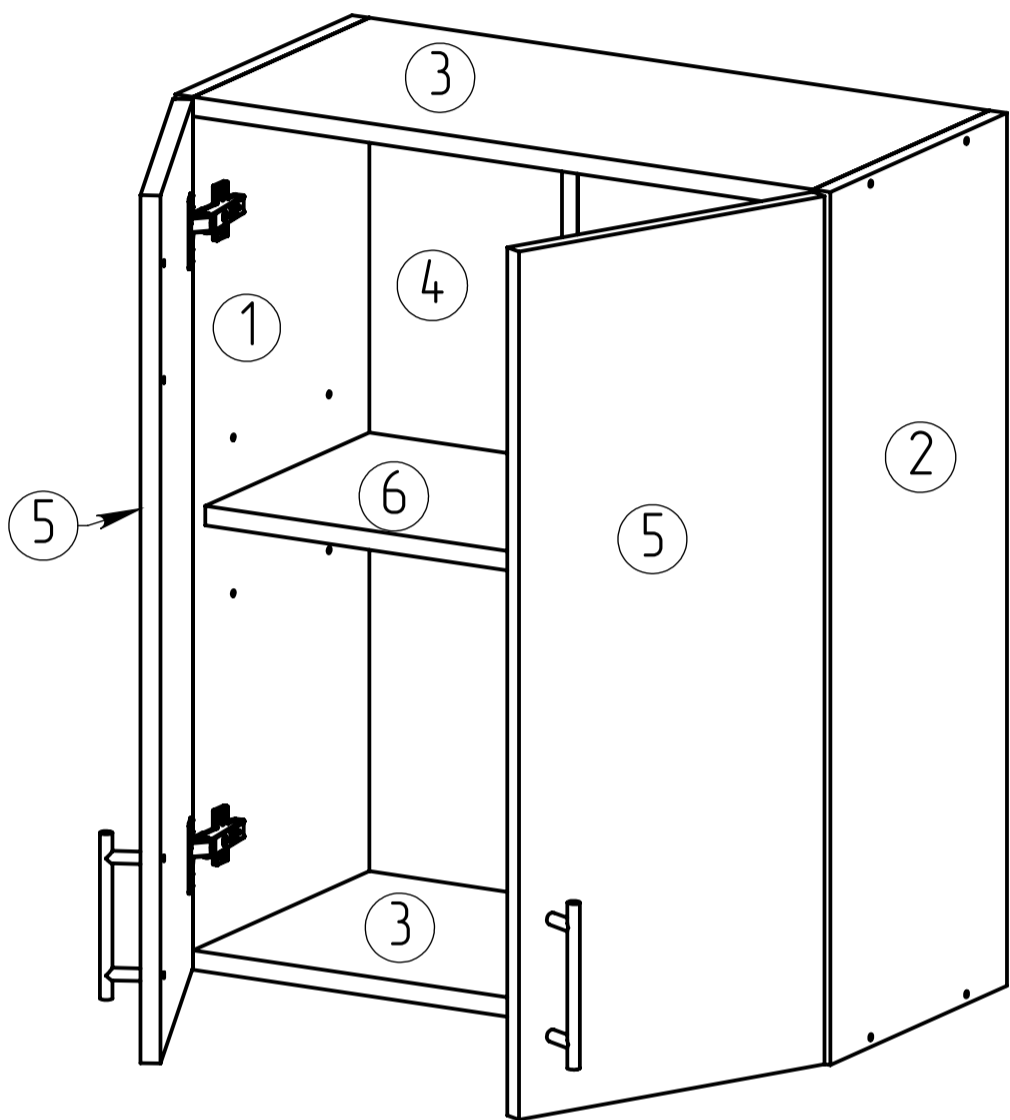














Wall Units 72



| | | |
|---|---|---|
|  x2 |  x |  x2 |
|  x4 |  x4 |  x8 4,0*16 |
|  x8 4,0*30 |  x8 6,3*13 |  x15 |
|  x8 |  x8 |  x1 |

W6072

x

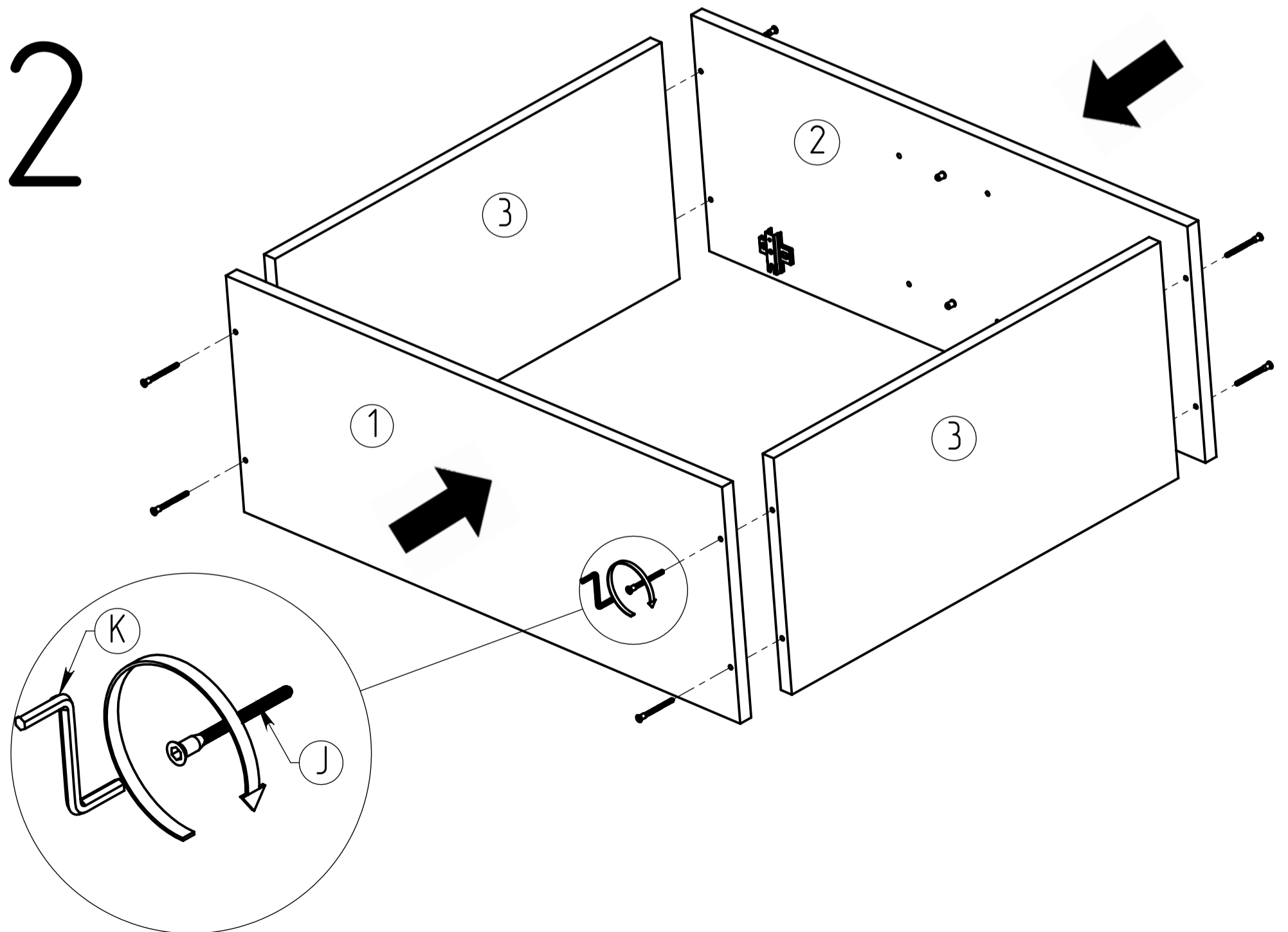
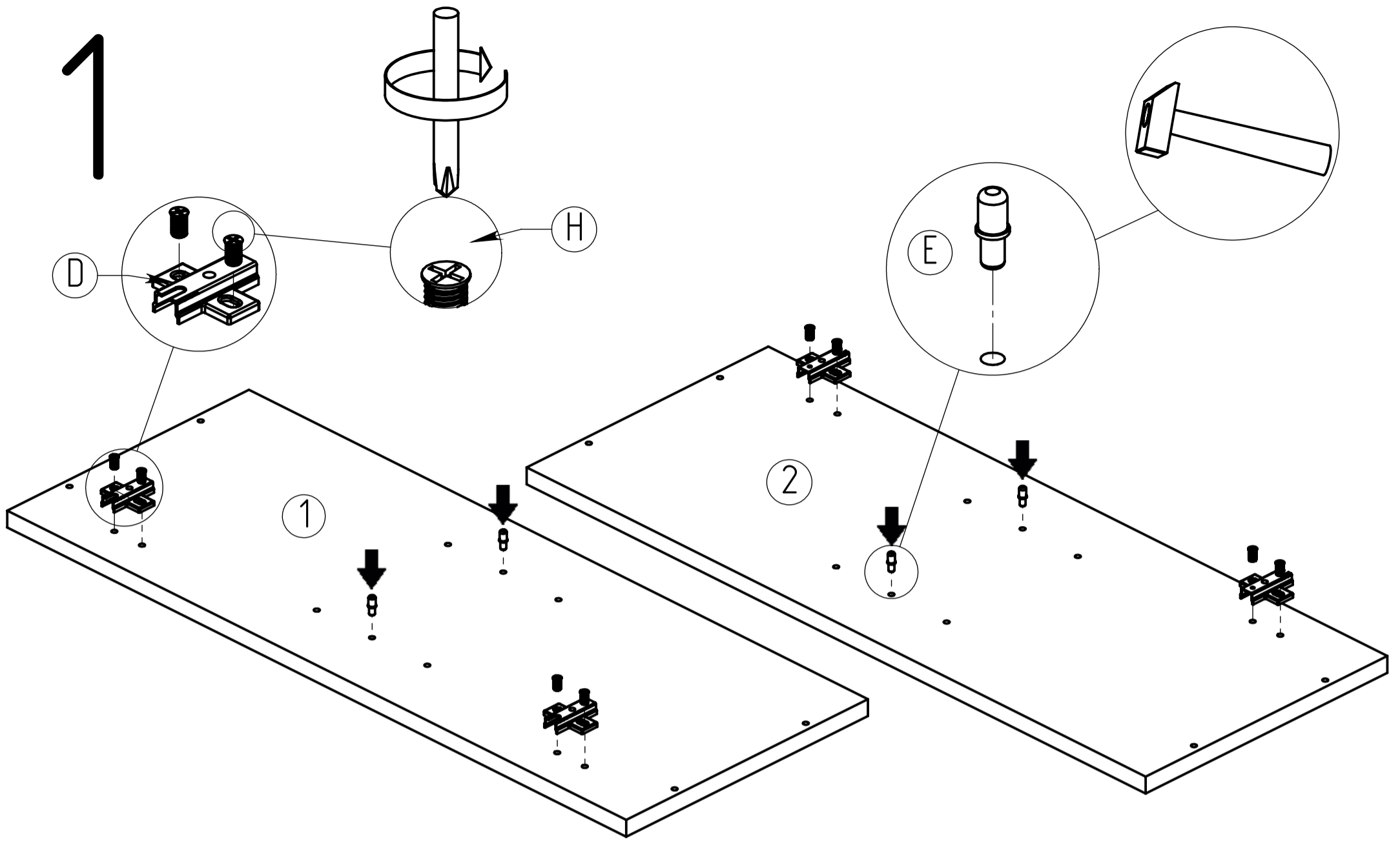
W7072

x

W8072

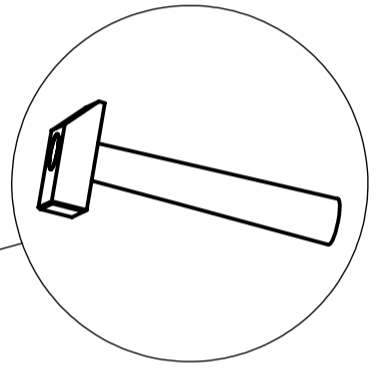
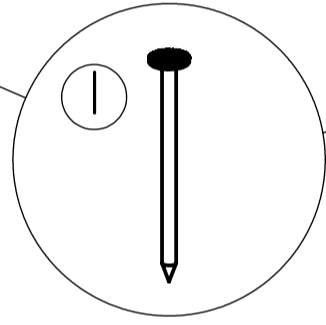
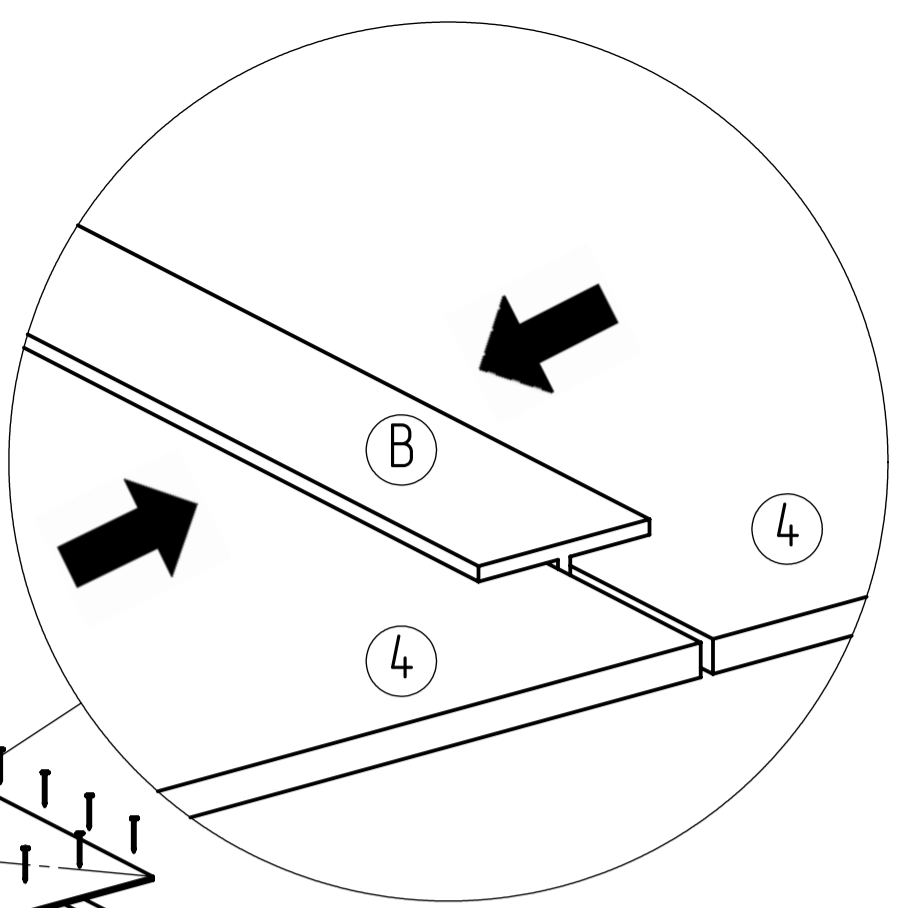
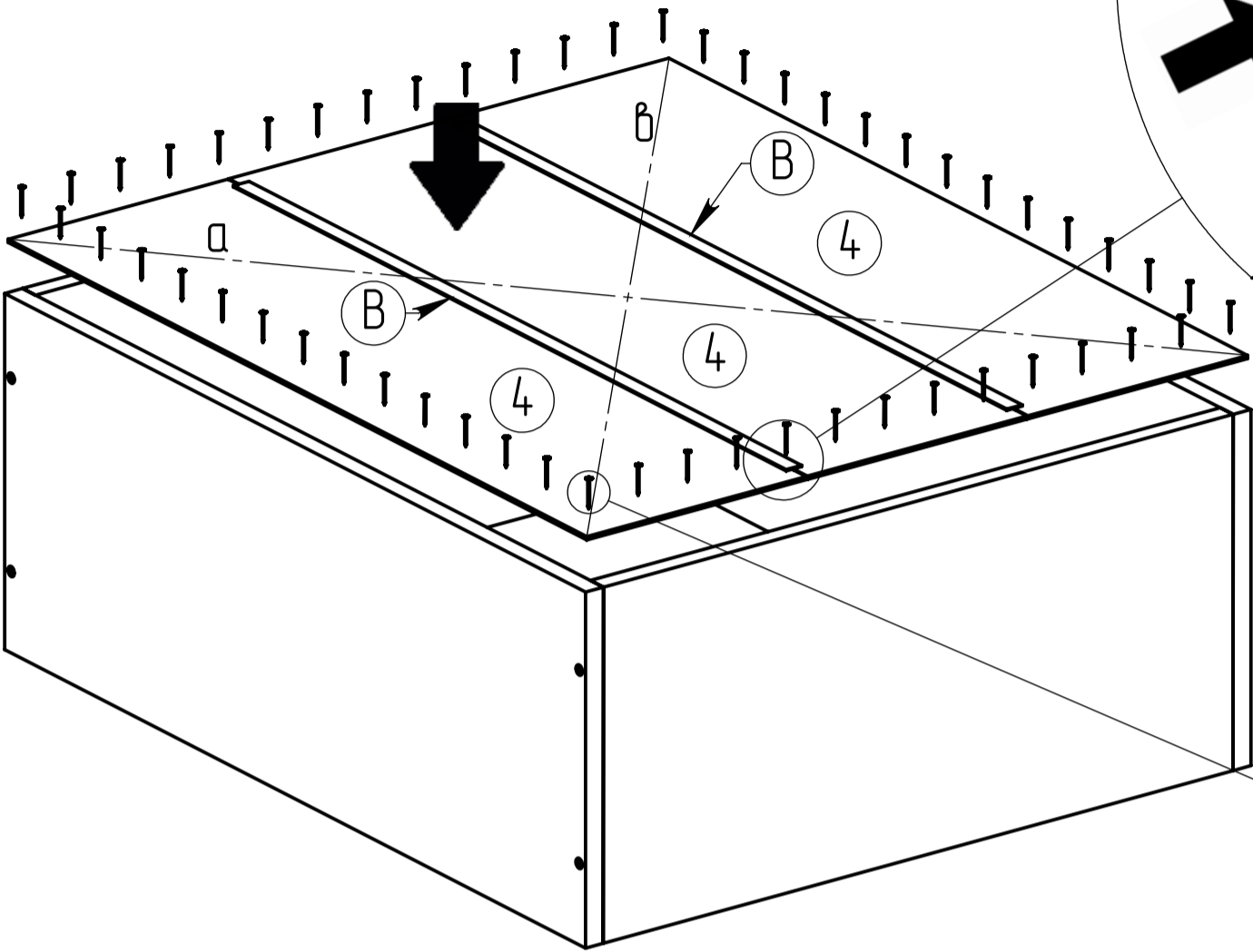
x

| | | | | | | |
|---|-------------|---|-------------|---|-------------|---|
| ① | 717x280x16 | 1 | 717x280x16 | 1 | 717x280x16 | 1 |
| ② | 717x280x16 | 1 | 717x280x16 | 1 | 717x280x16 | 1 |
| ③ | 568x280x16 | 2 | 668x280x16 | 2 | 768x280x16 | 2 |
| ④ | 714x198x2,5 | 3 | 714x198x2,5 | 2 | 714x198x2,5 | 4 |
| | - | - | 714x148x2,5 | 2 | - | - |
| ⑤ | 713x296x16 | 2 | 713x346x16 | 2 | 713x396x16 | 2 |
| ⑥ | 566x260x16 | 1 | 666x260x16 | 1 | 766x260x16 | 1 |

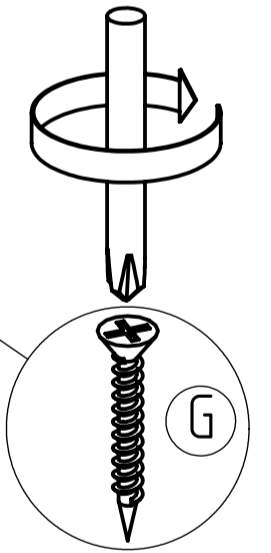
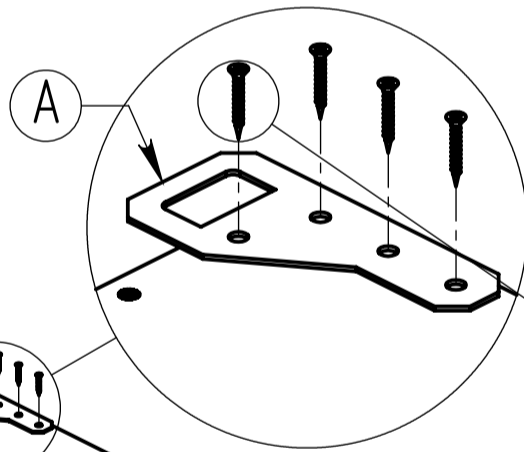
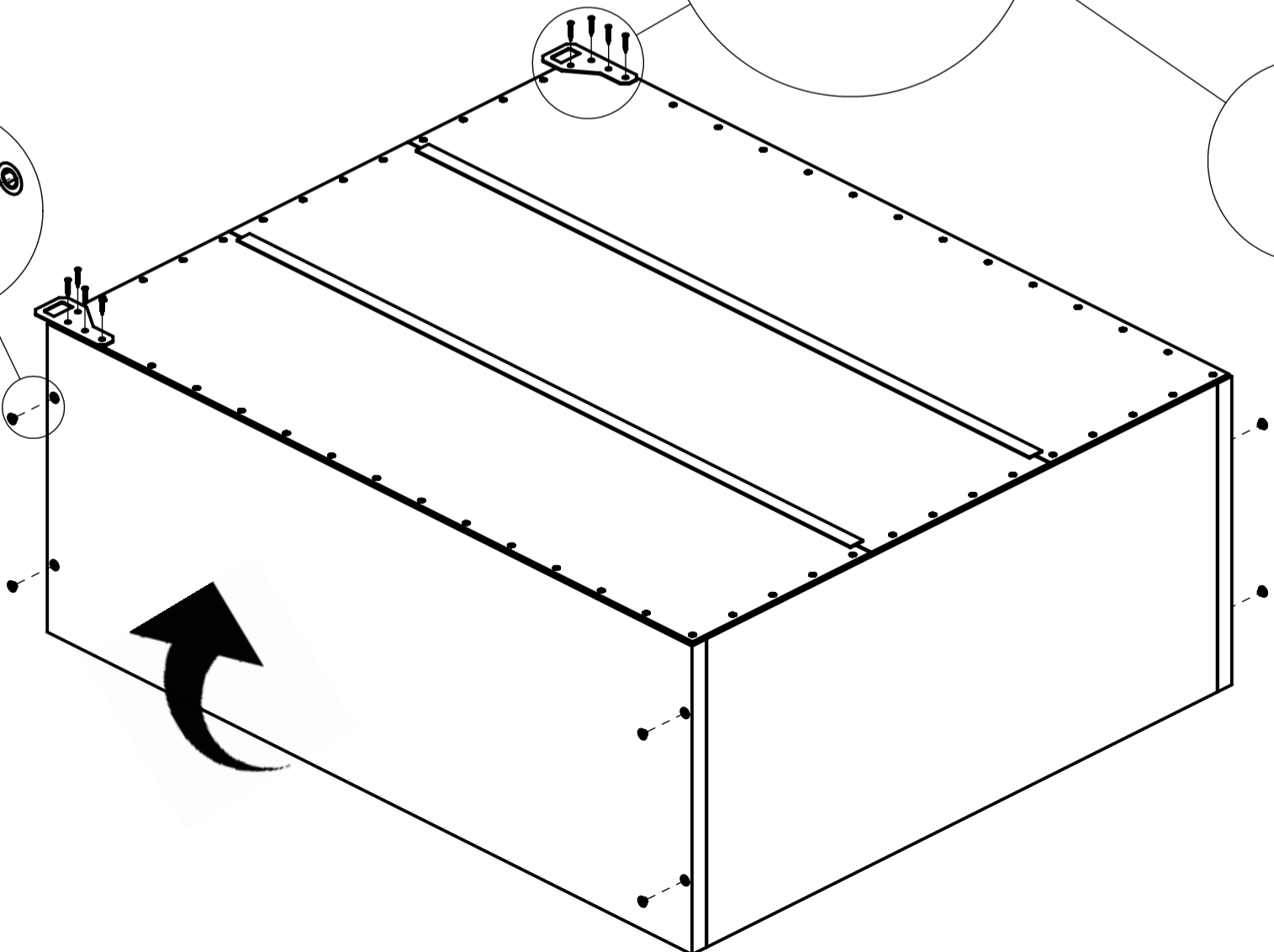
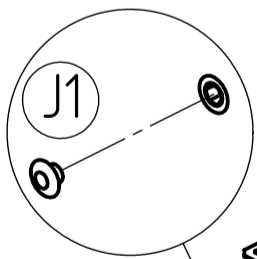


3

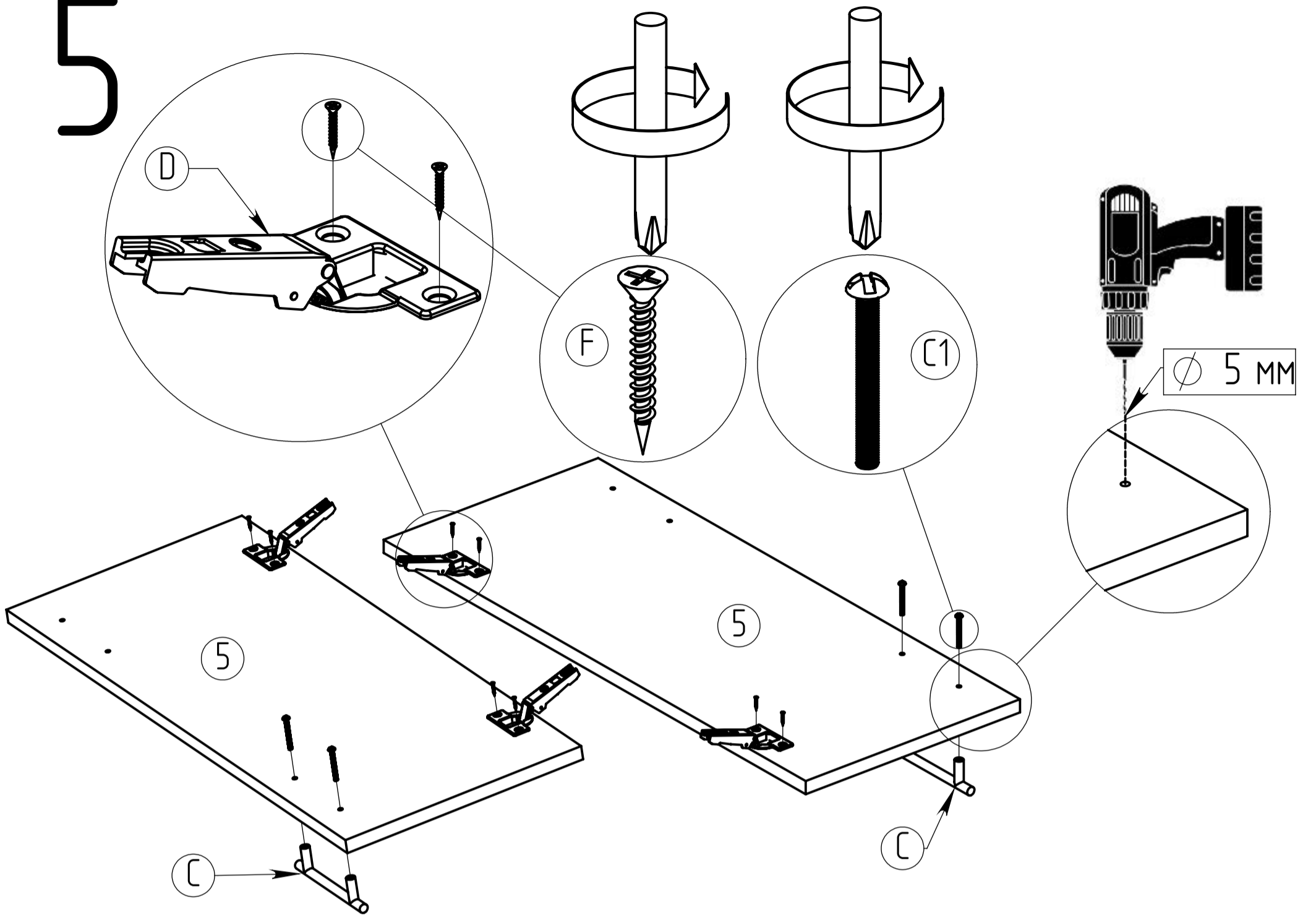
$$a = b$$



4



5



6

