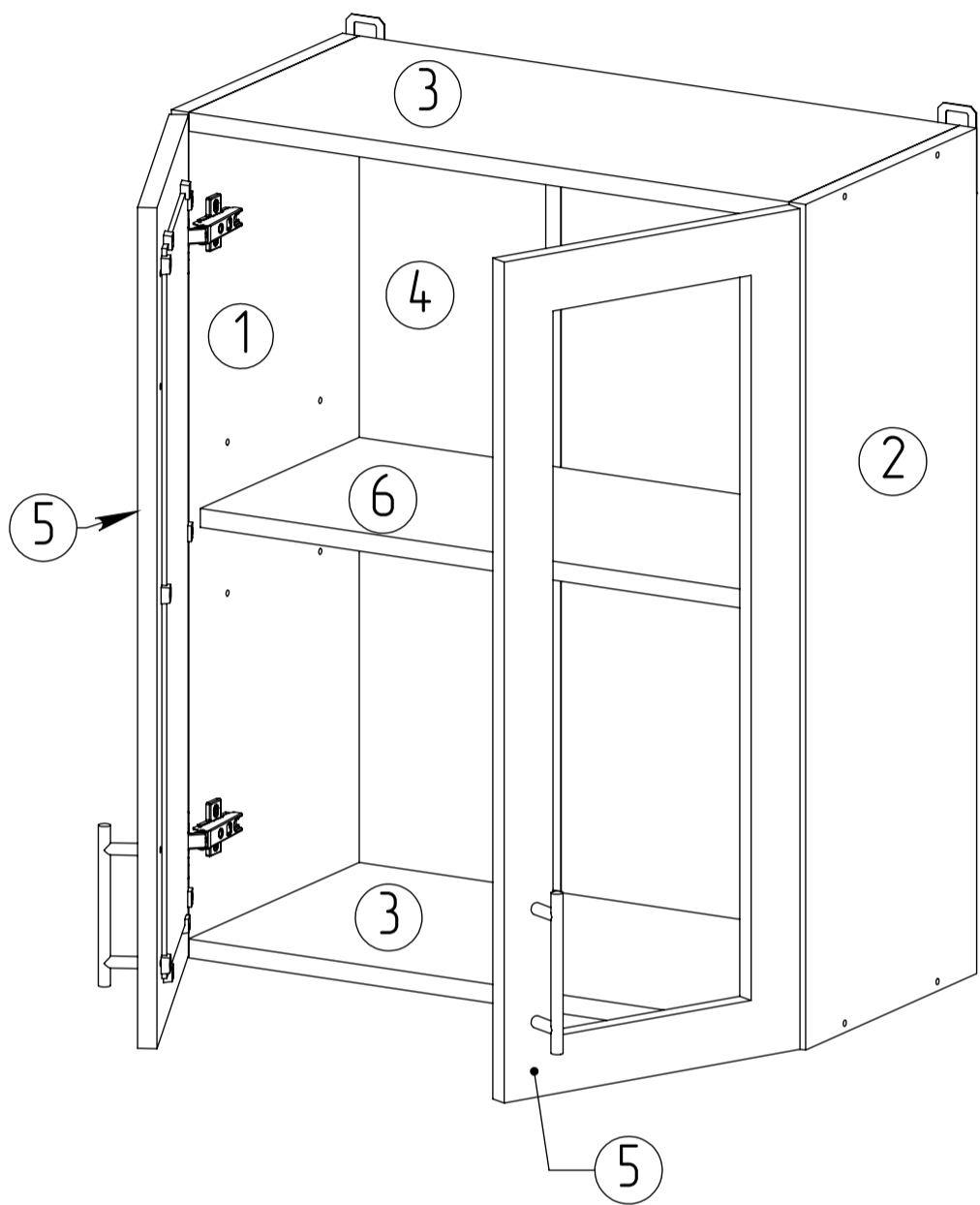


Wall Units 72



(A) x2	(B) x2	(C) x2
(D) x4	(E) x4	(F) 4,0*16 x8
(G) 4,0*30 x8	(H) 6,3*13 x8	(I) x15
(J) x8	(J1) x20	(L) 3*15 x20
(M) x4		

W6072G

x

W7072G

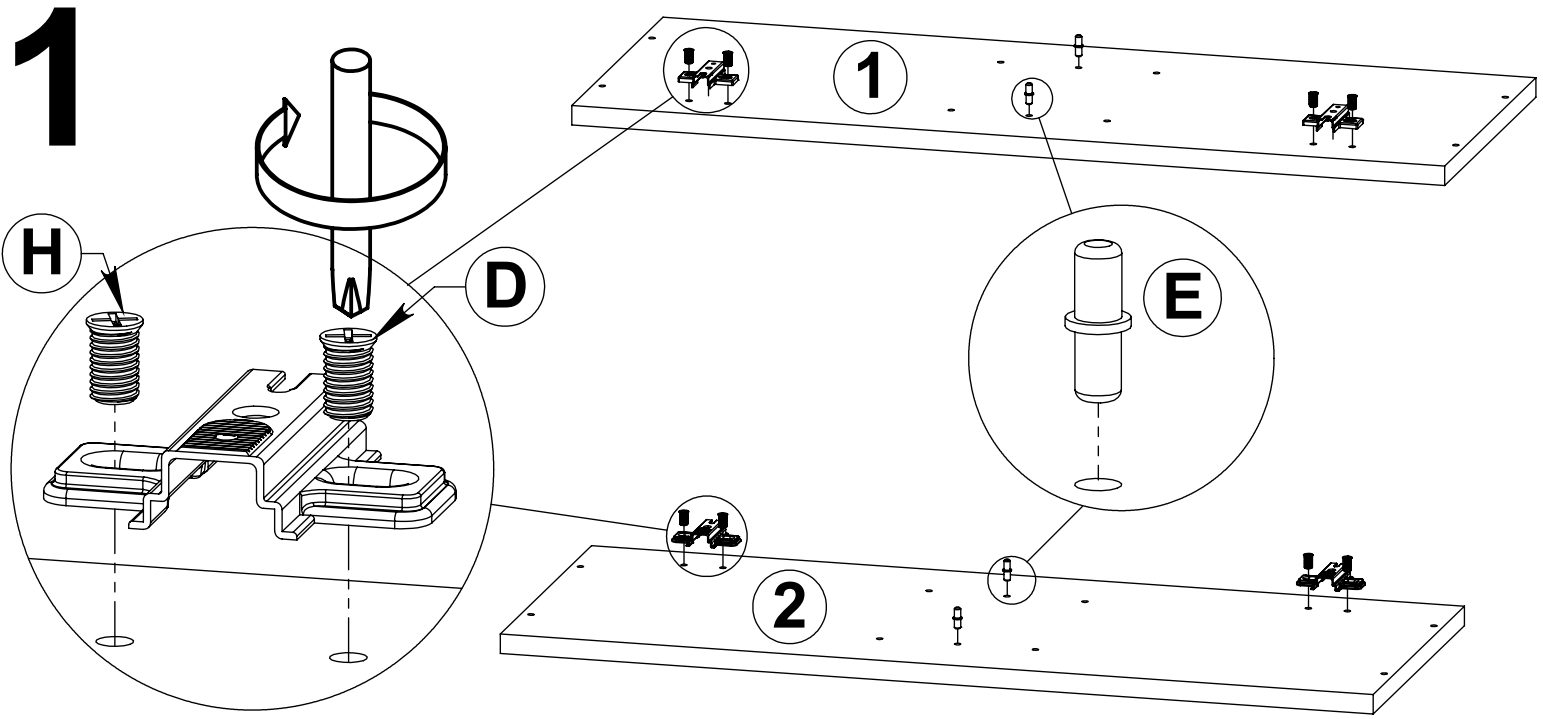
x

W8072G

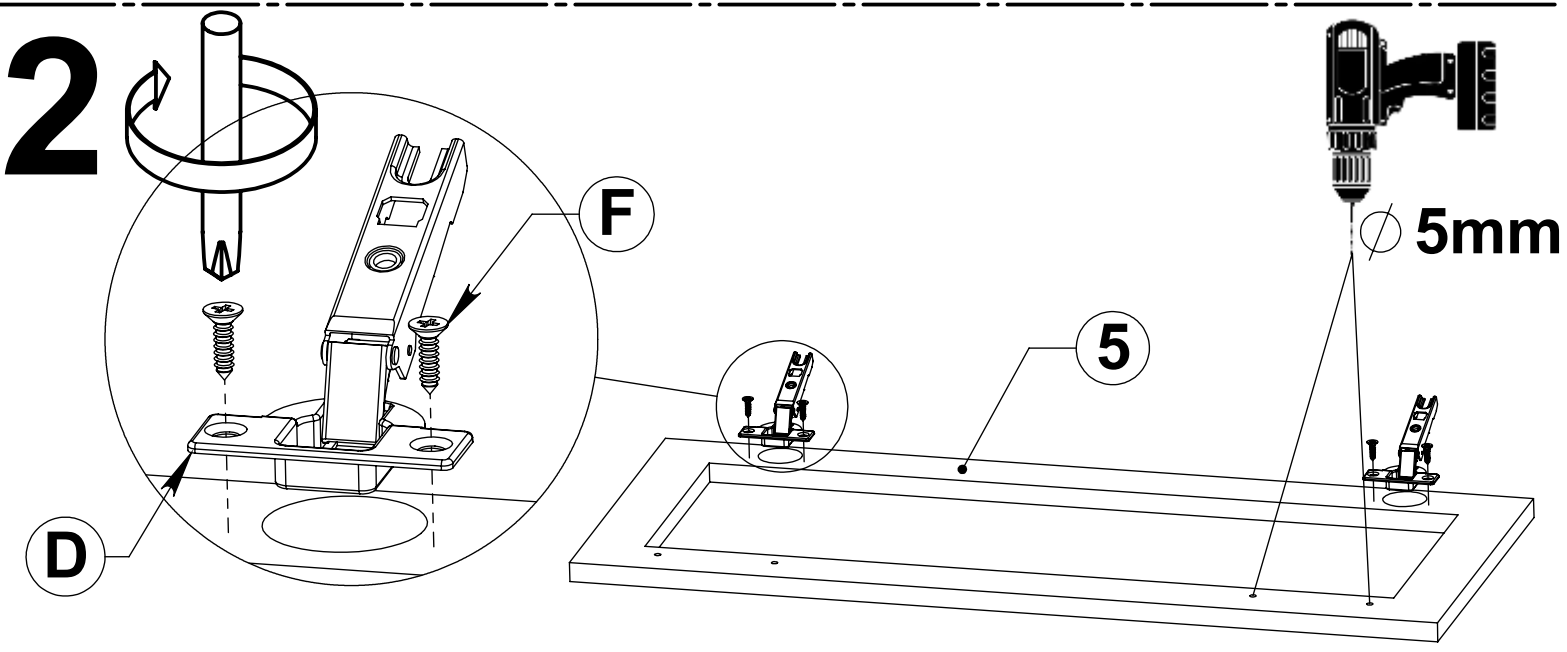
x

	W6072G	x	W7072G	x	W8072G	x
(1)	717x280x16	1	717x280x16	1	717x280x16	1
(2)	717x280x16	1	717x280x16	1	717x280x16	1
(3)	568x280x16	2	668x280x16	2	768x280x16	2
(4)	714x198x2,5	3	714x198x2,5	2	714x198x2,5	4
	-	-	714x148x2,5	2	-	-
(5)	713x296x16	2	713x346x16	2	713x396x16	2
(6)	566x260x16	1	666x260x16	1	766x260x16	1
(7)	619x202x4	1	619x252x4	1	619x302x4	1

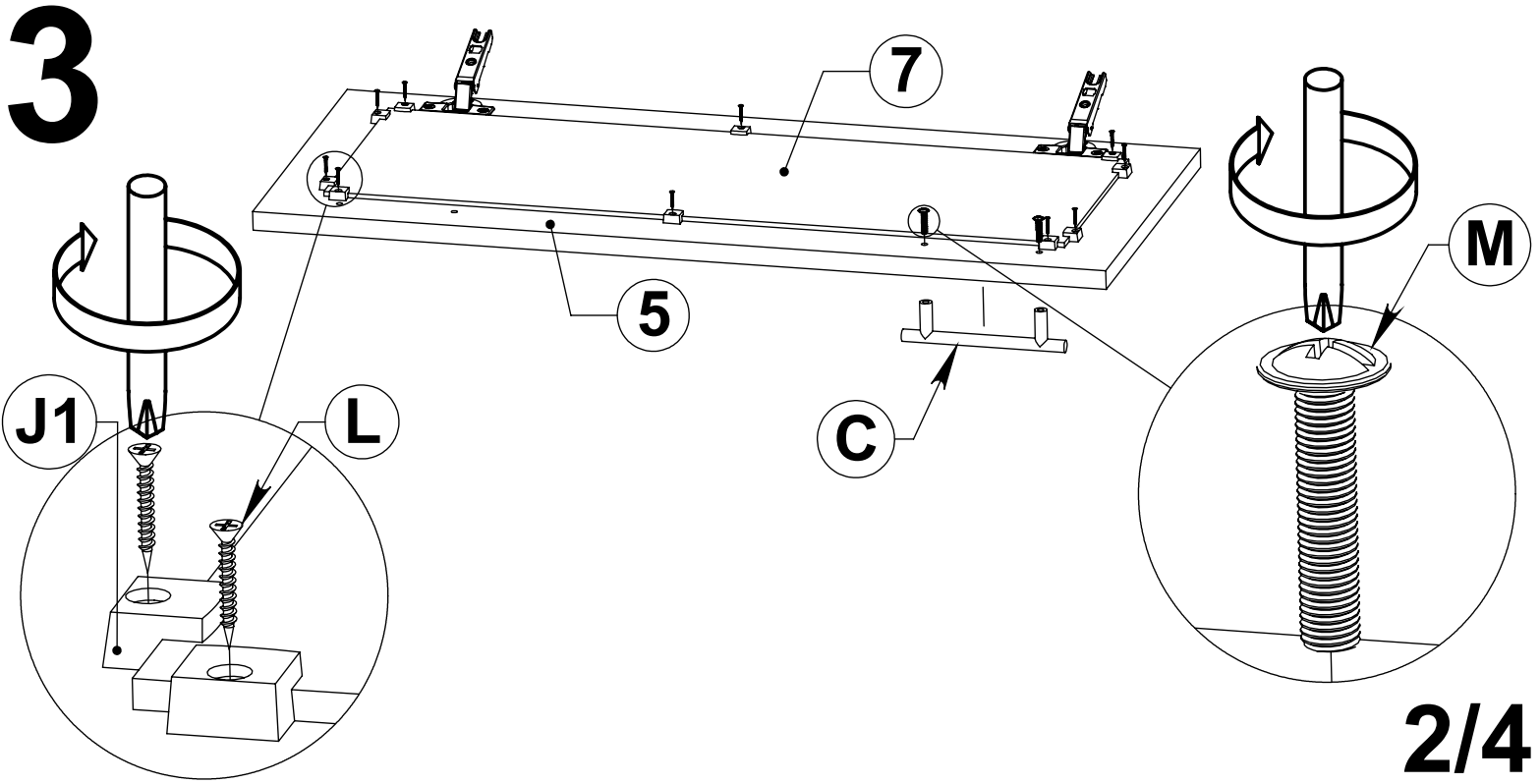
1



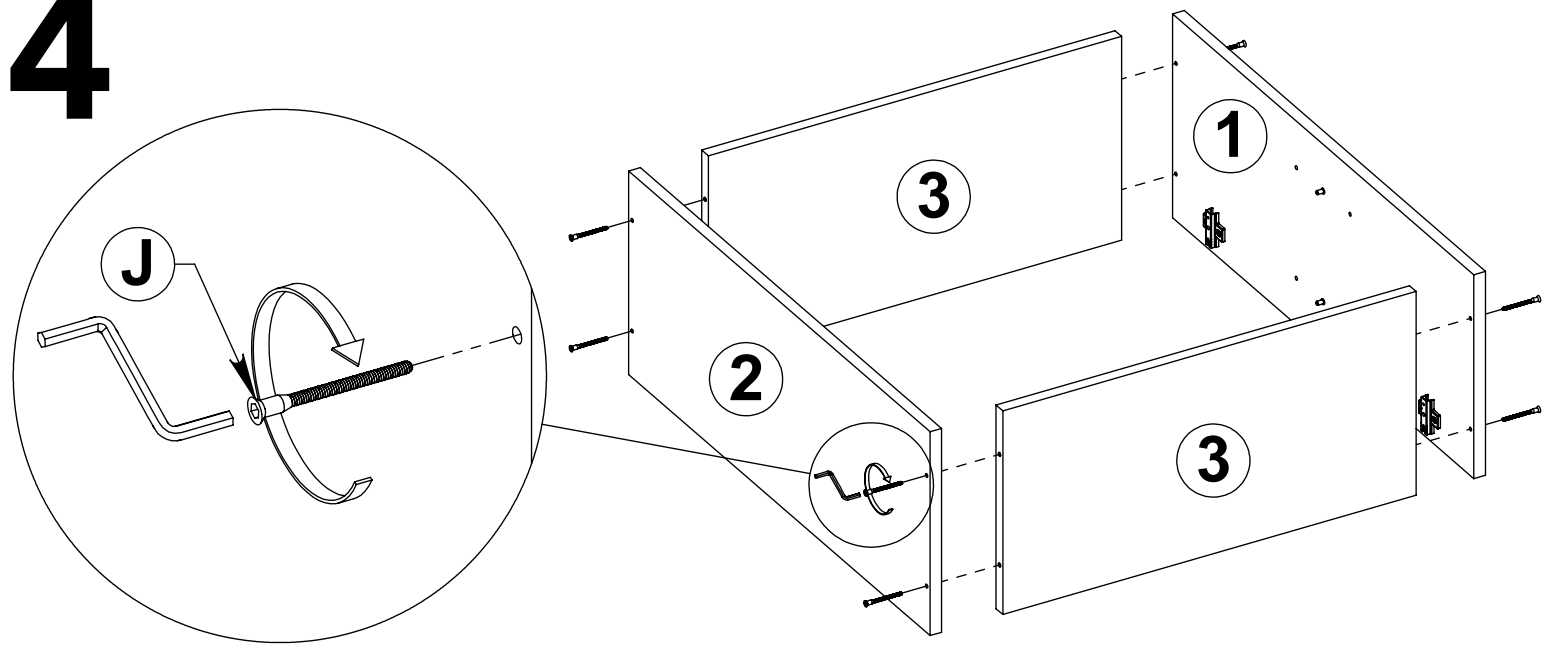
2



3



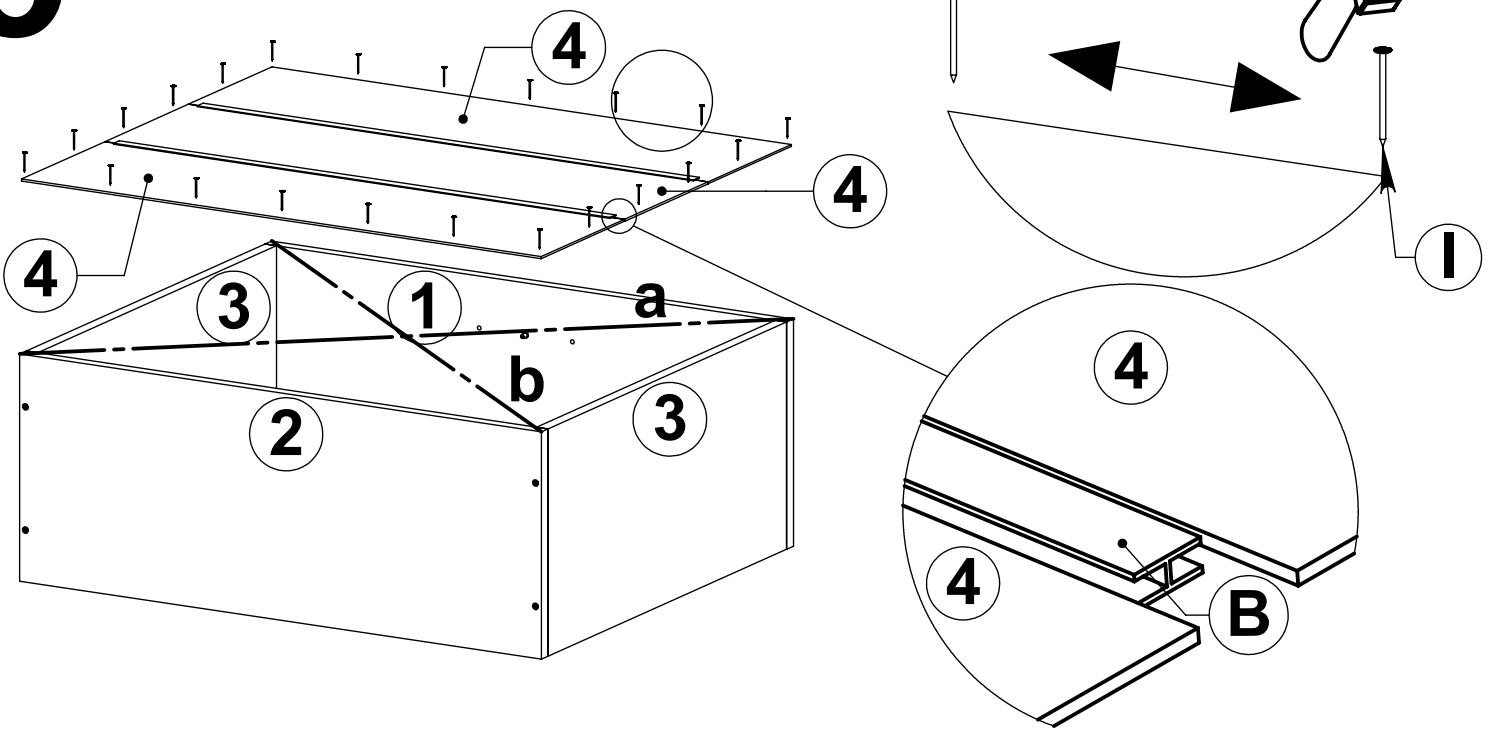
4



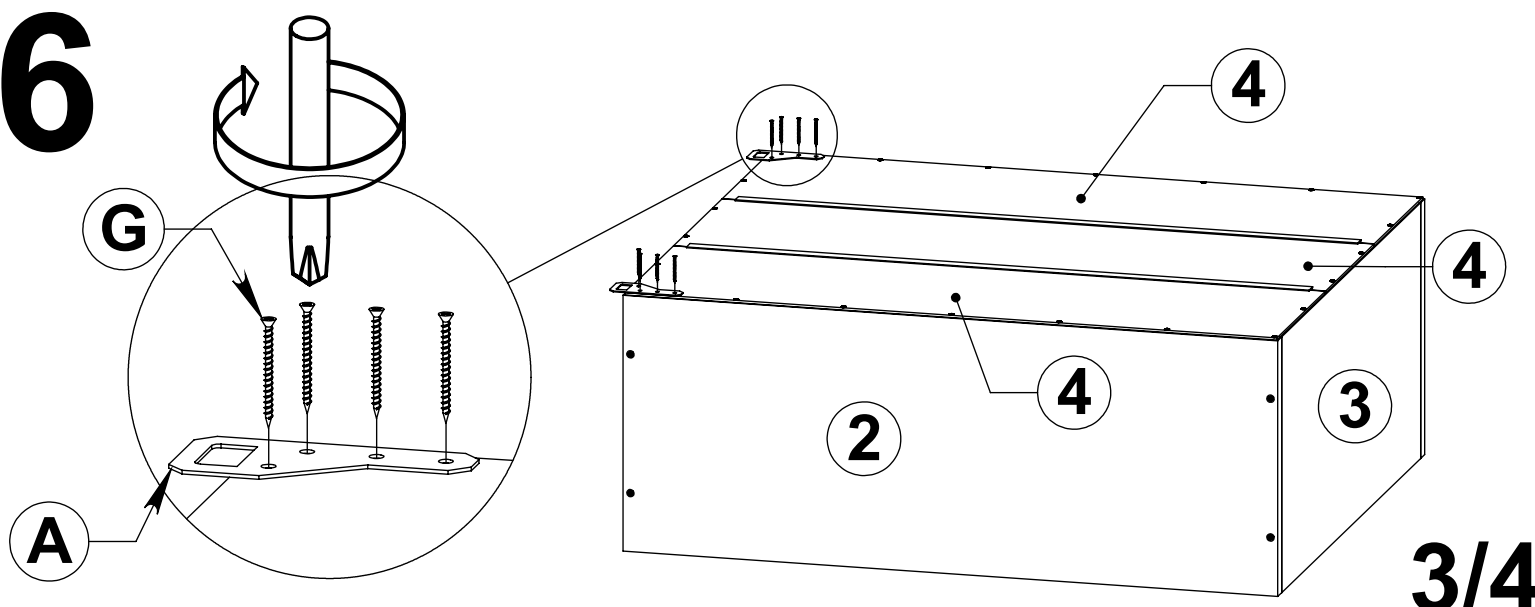
5

$a = b$

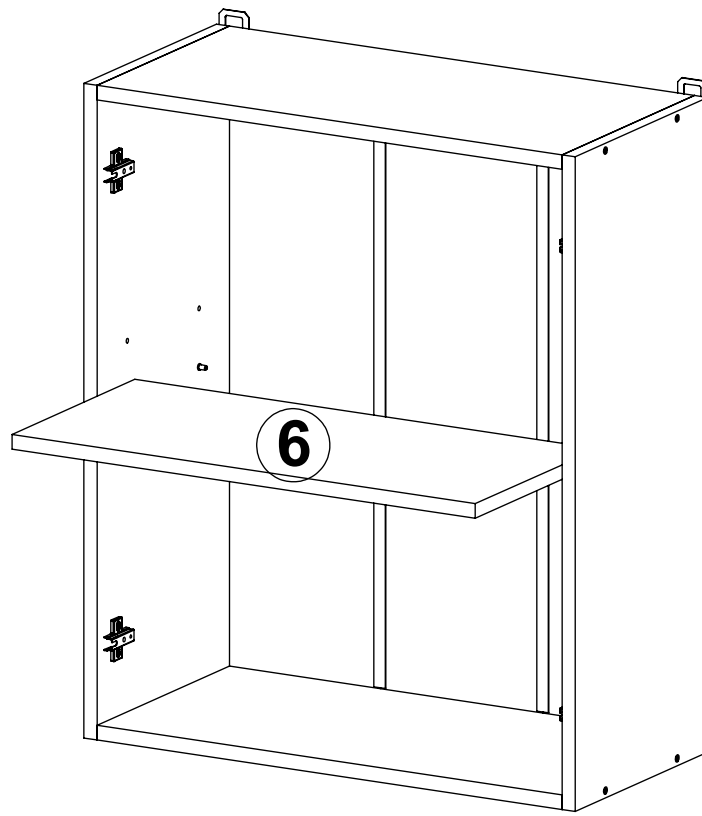
80 - 100 mm



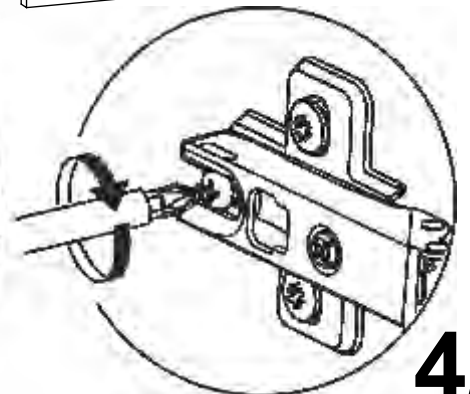
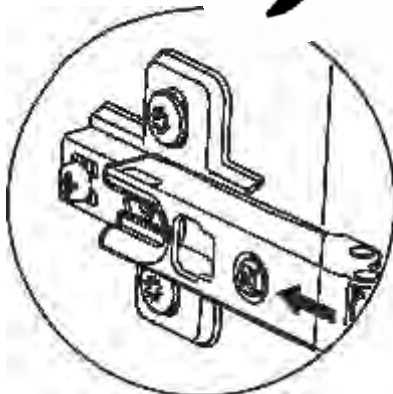
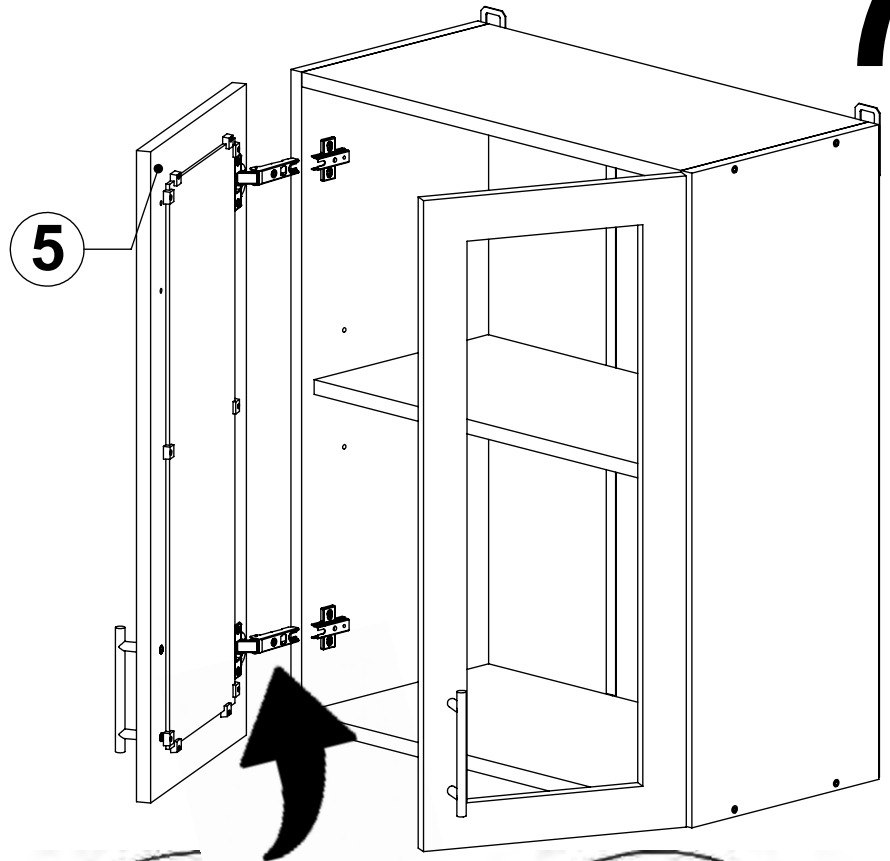
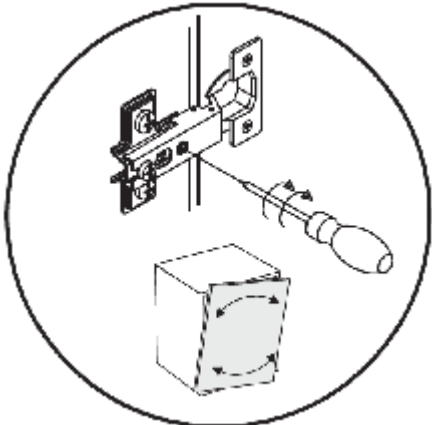
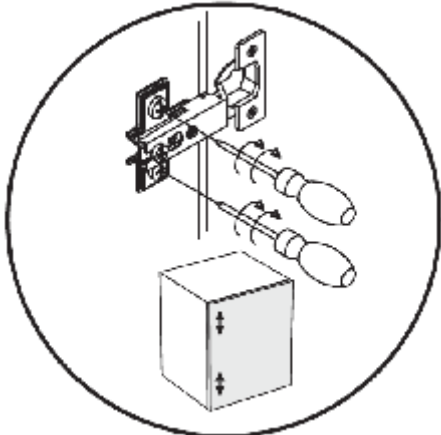
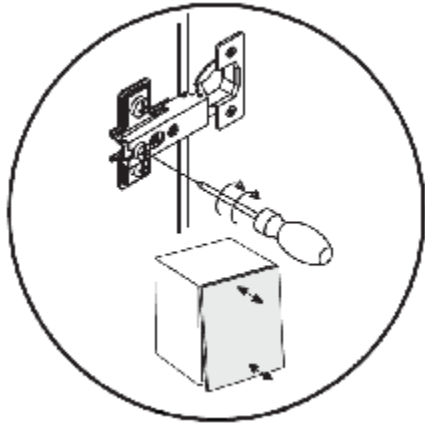
6



6



7



4/4