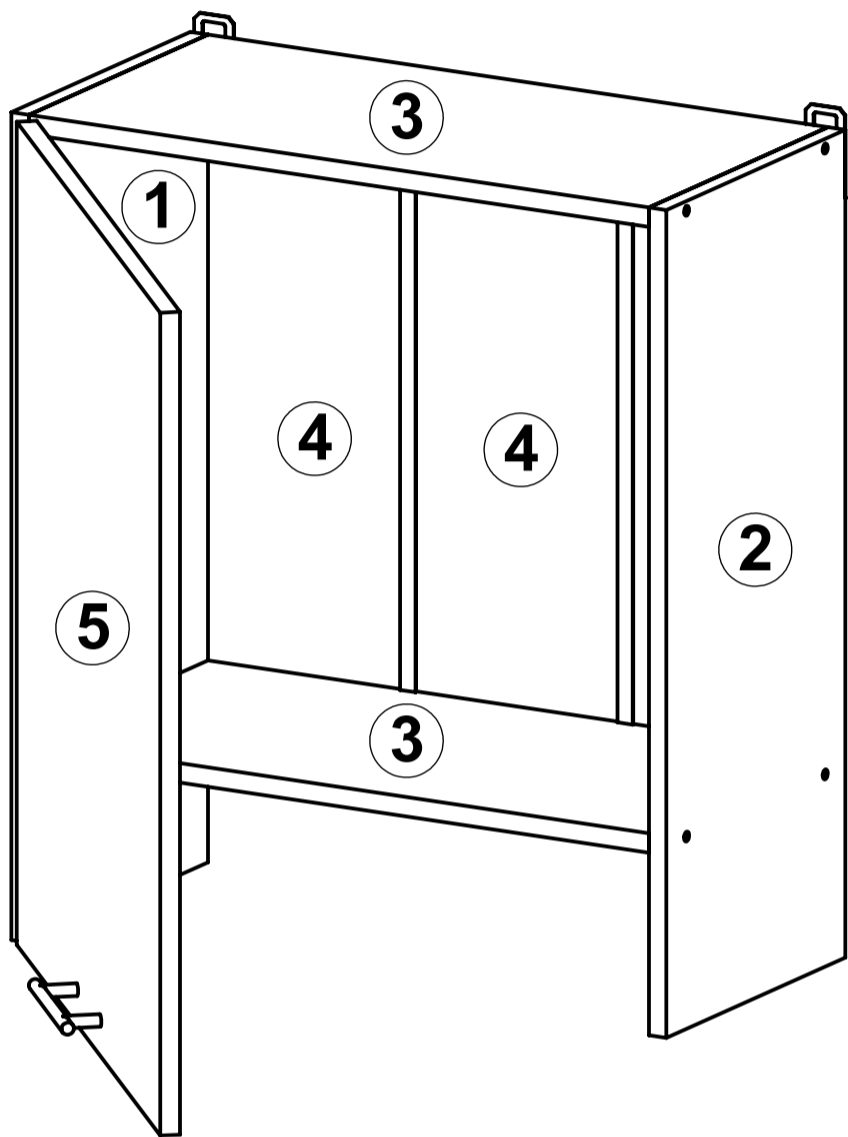










Wall Units 92

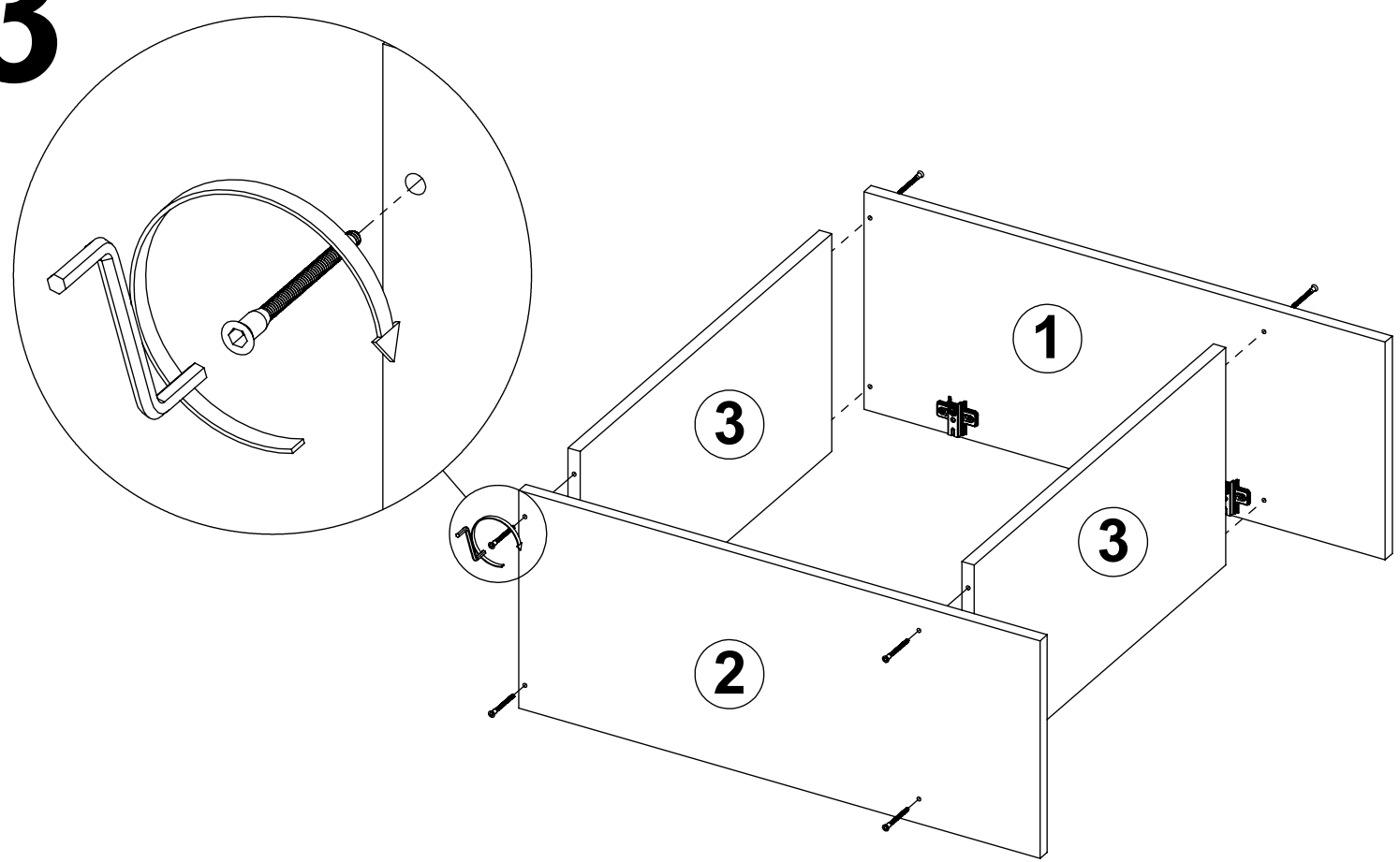


| | | |
|---|--|--|
| (A)  x2 | (B)  x1 | (C) 4,0*16  x4 |
| (D) 4,0*30  x8 | (E)  x2 | (F)  x15 |
| (G)  x2 | (H)  x4 | (I)  x2 |
| (J)  x8 | | |

No W60681 x

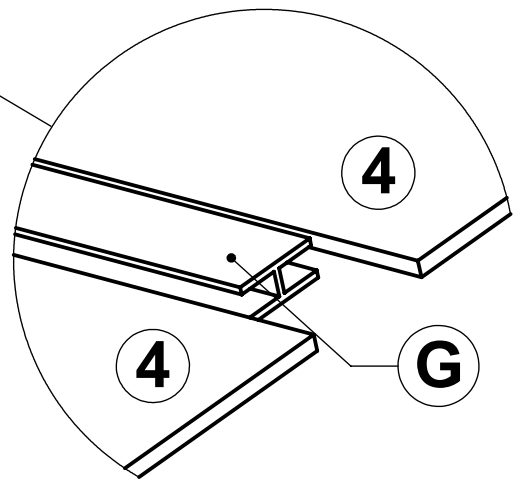
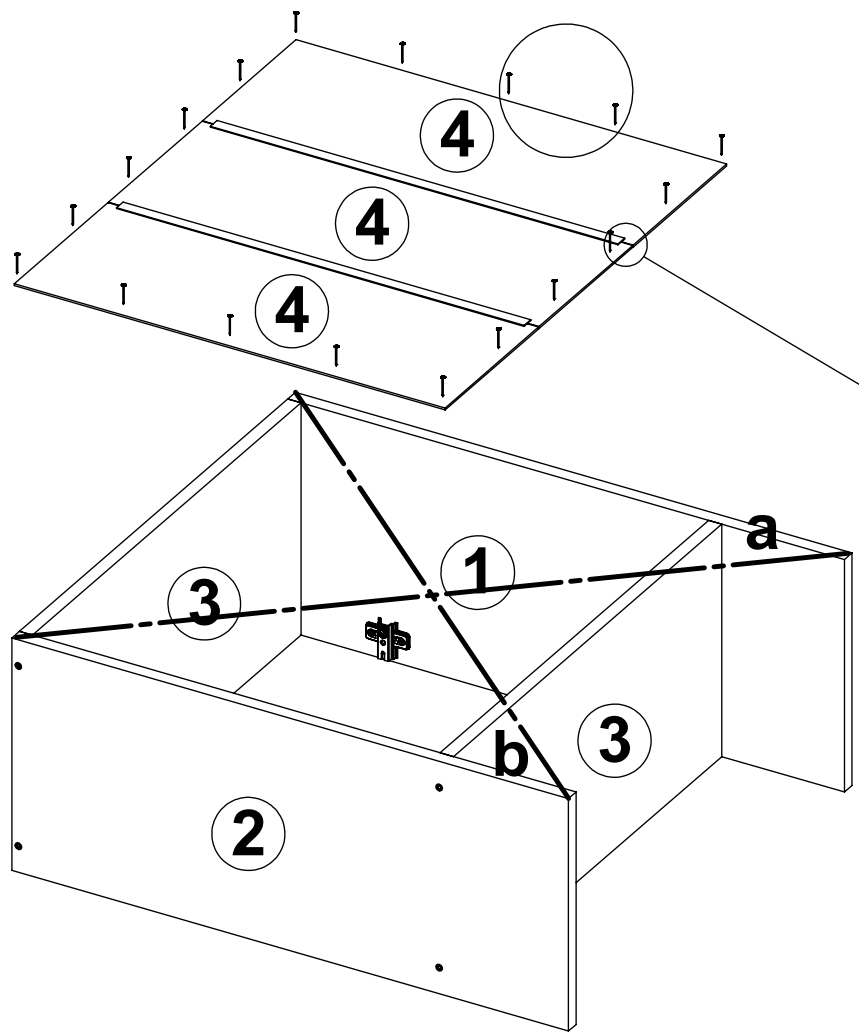
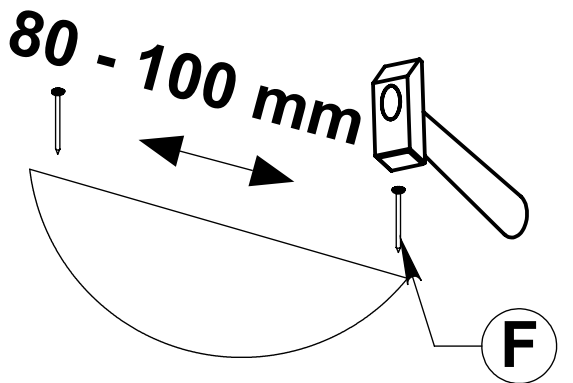
| | | |
|-----|-------------|---|
| (1) | 685x280x16 | 1 |
| (2) | 685x280x16 | 1 |
| (3) | 678x280x16 | 2 |
| (4) | 681x198x2,5 | 3 |
| (5) | 680x596x16 | 1 |
| (6) | 776x260x16 | 1 |

3

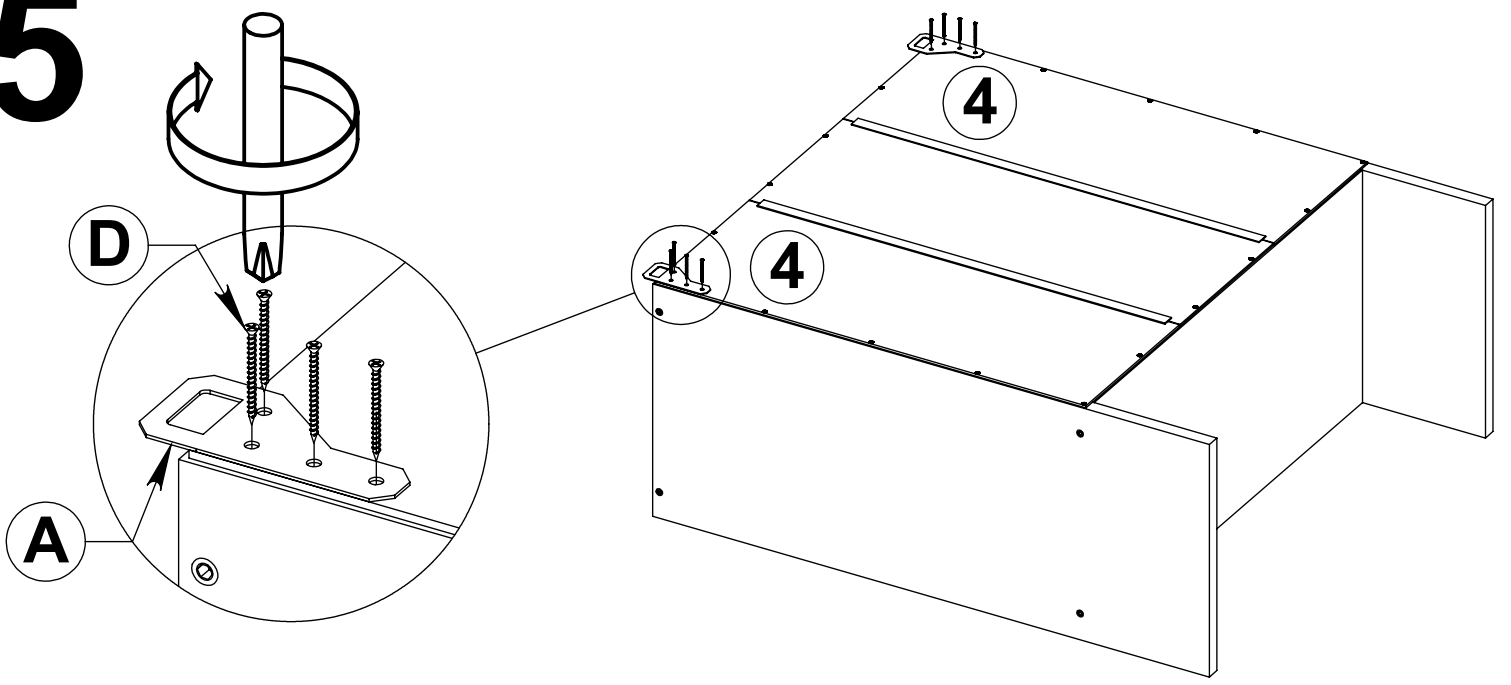


4

a = b



5



6

