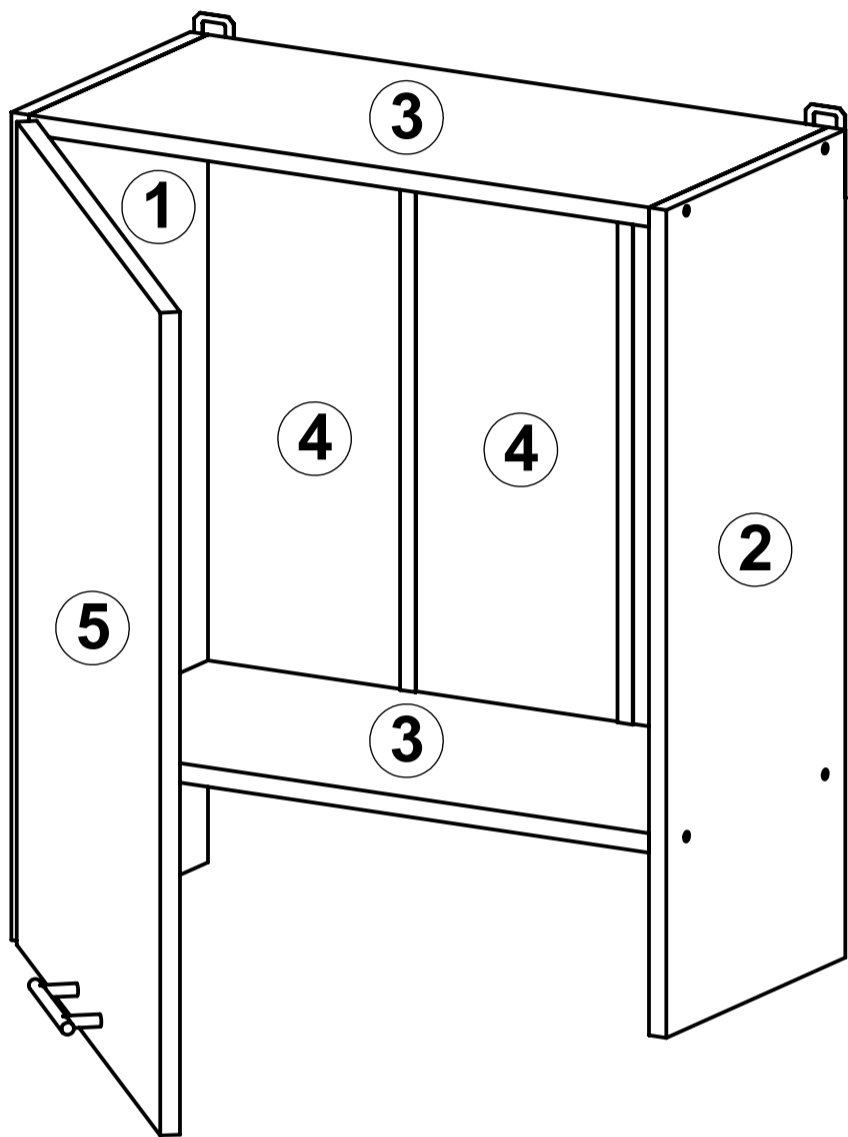




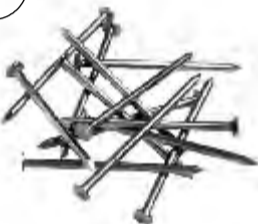






Wall Units 92

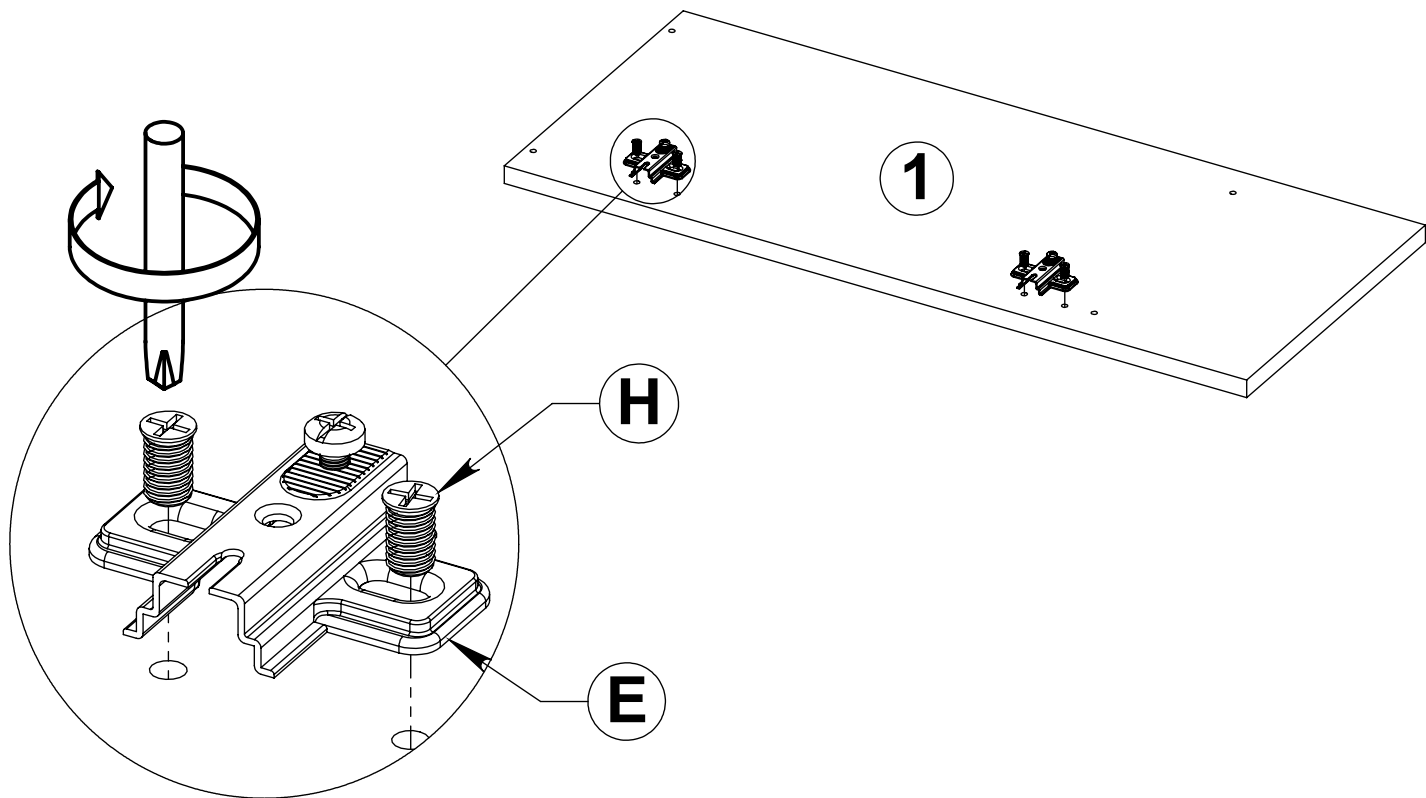


<p>(A)</p>  <p>x2</p>	<p>(B)</p>  <p>x1</p>	<p>(C) 4,0*16</p>  <p>x4</p>
<p>(D) 4,0*30</p>  <p>x8</p>	<p>(E)</p>  <p>x2</p>	<p>(F)</p>  <p>x15</p>
<p>(G)</p>  <p>x2</p>	<p>(H)</p>  <p>x4</p>	<p>(I)</p>  <p>x2</p>
<p>(J)</p>  <p>x8</p>		

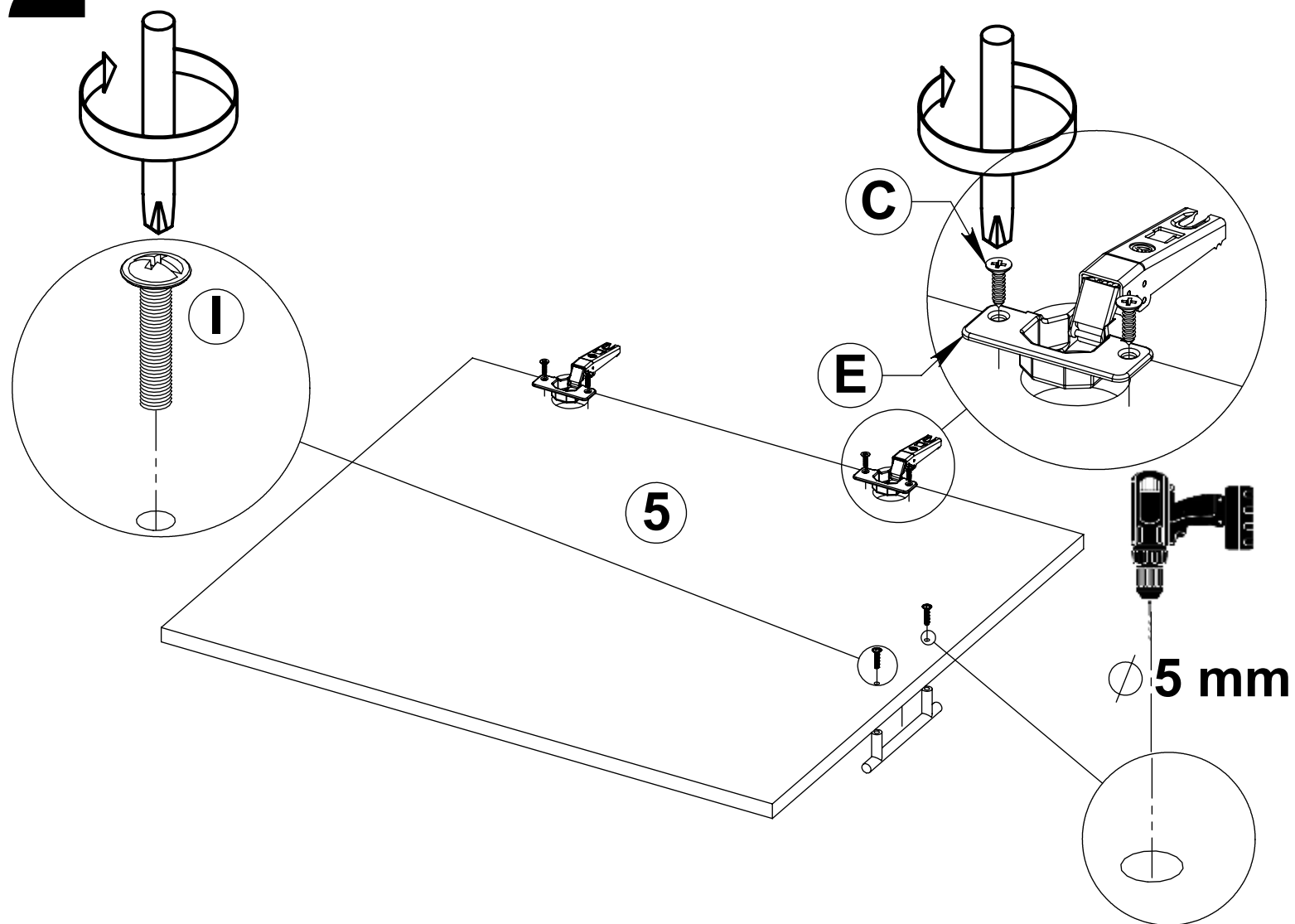
No W60681 x

①	685x280x16	1
②	685x280x16	1
③	678x280x16	2
④	681x198x2,5	3
⑤	680x596x16	1
⑥	776x260x16	1

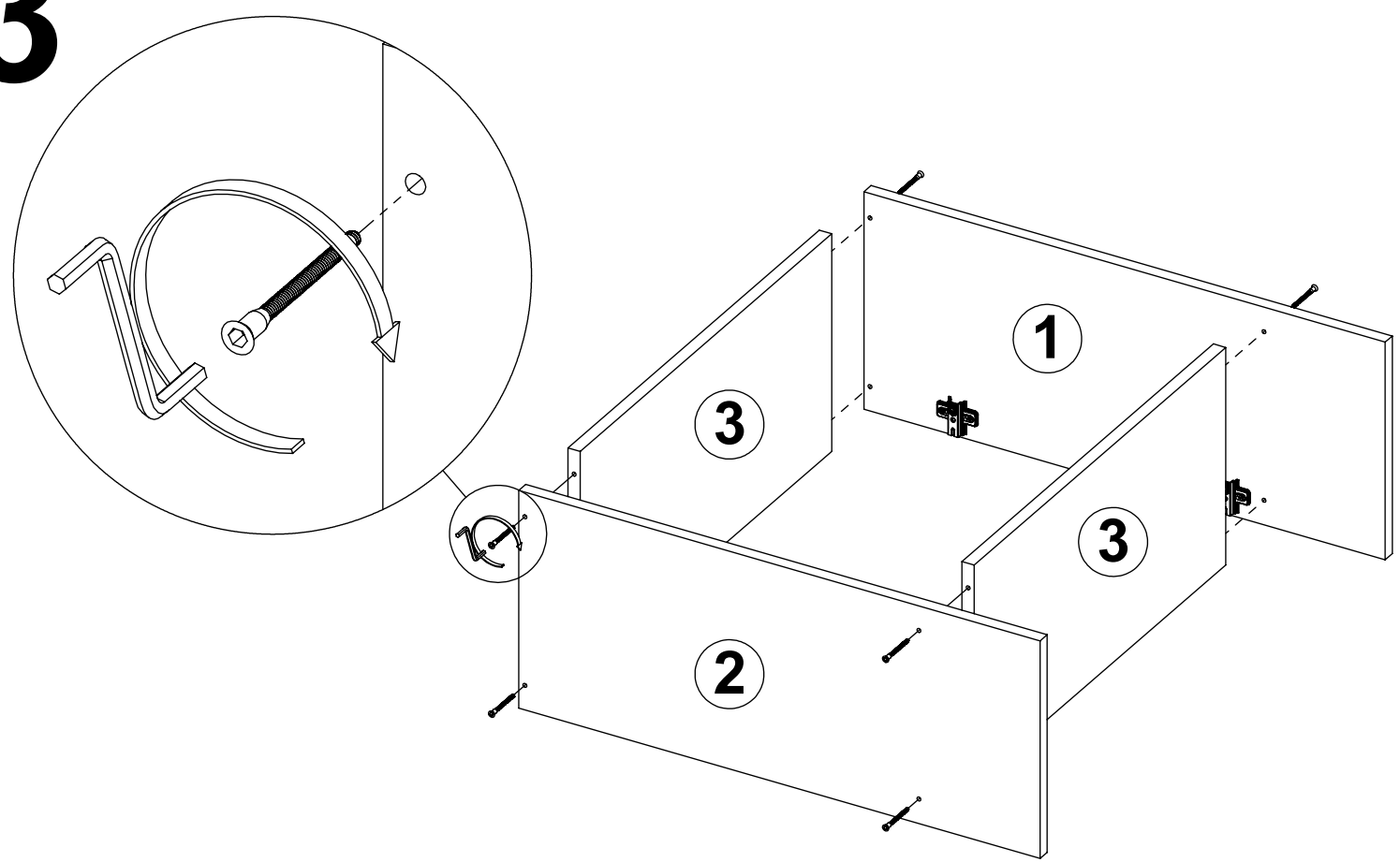
1



2

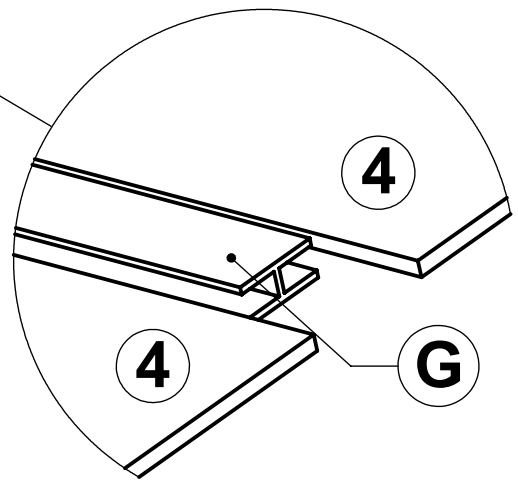
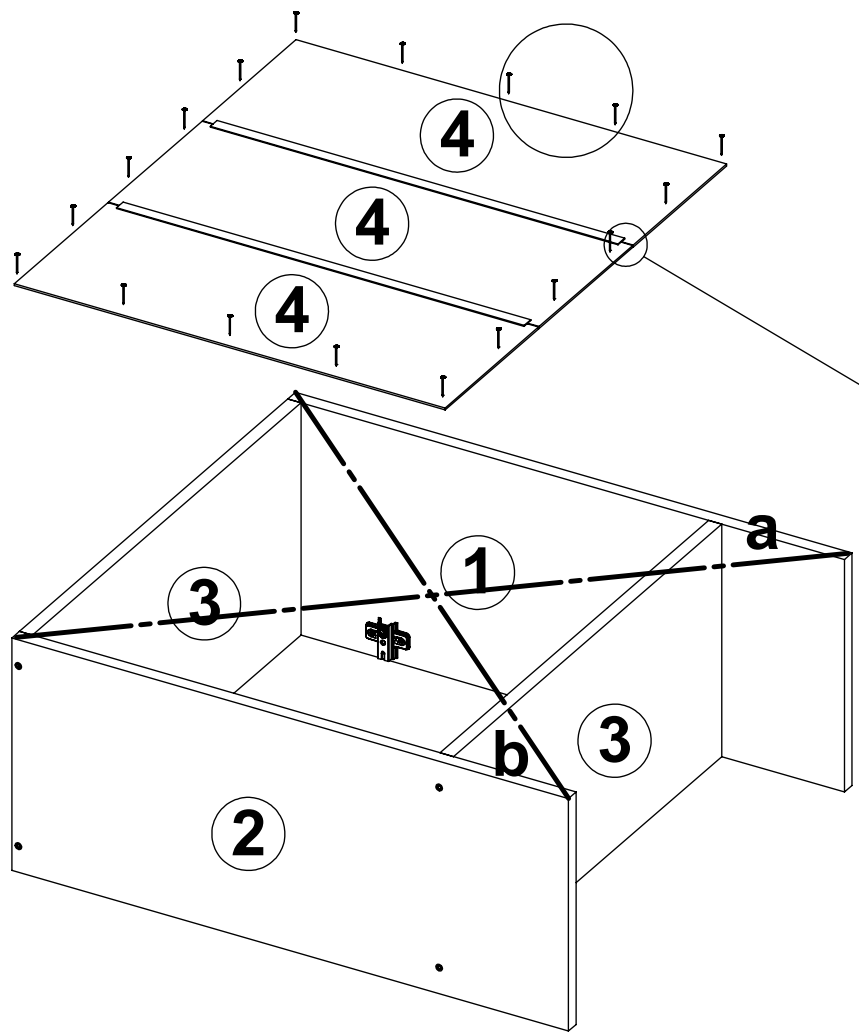
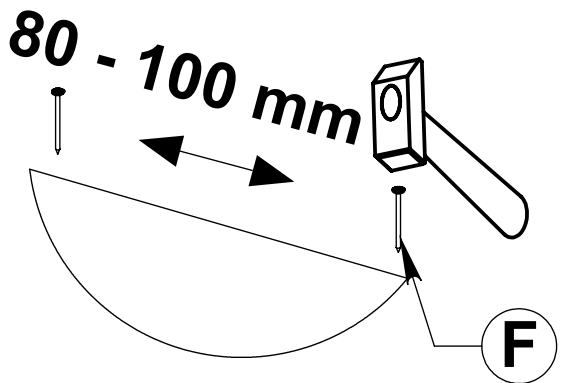


3

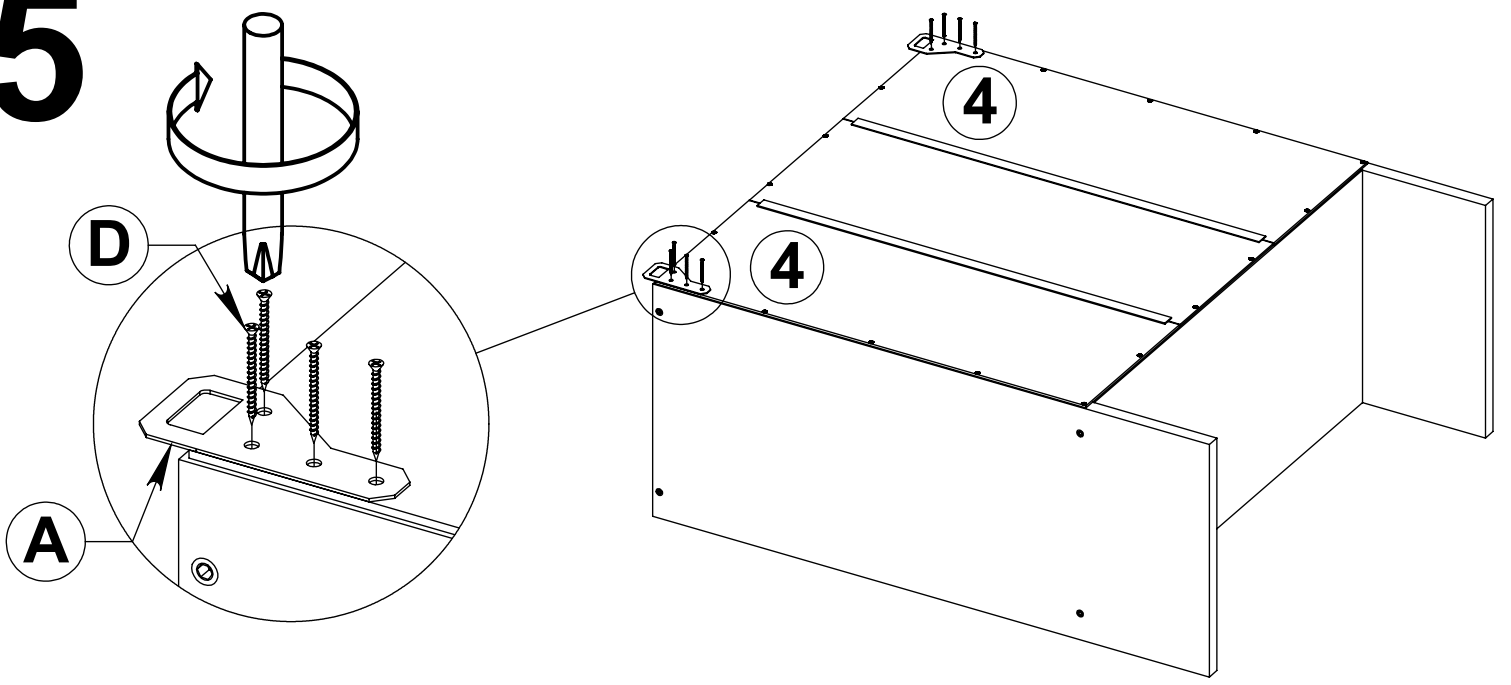


4

a = b



5



6

