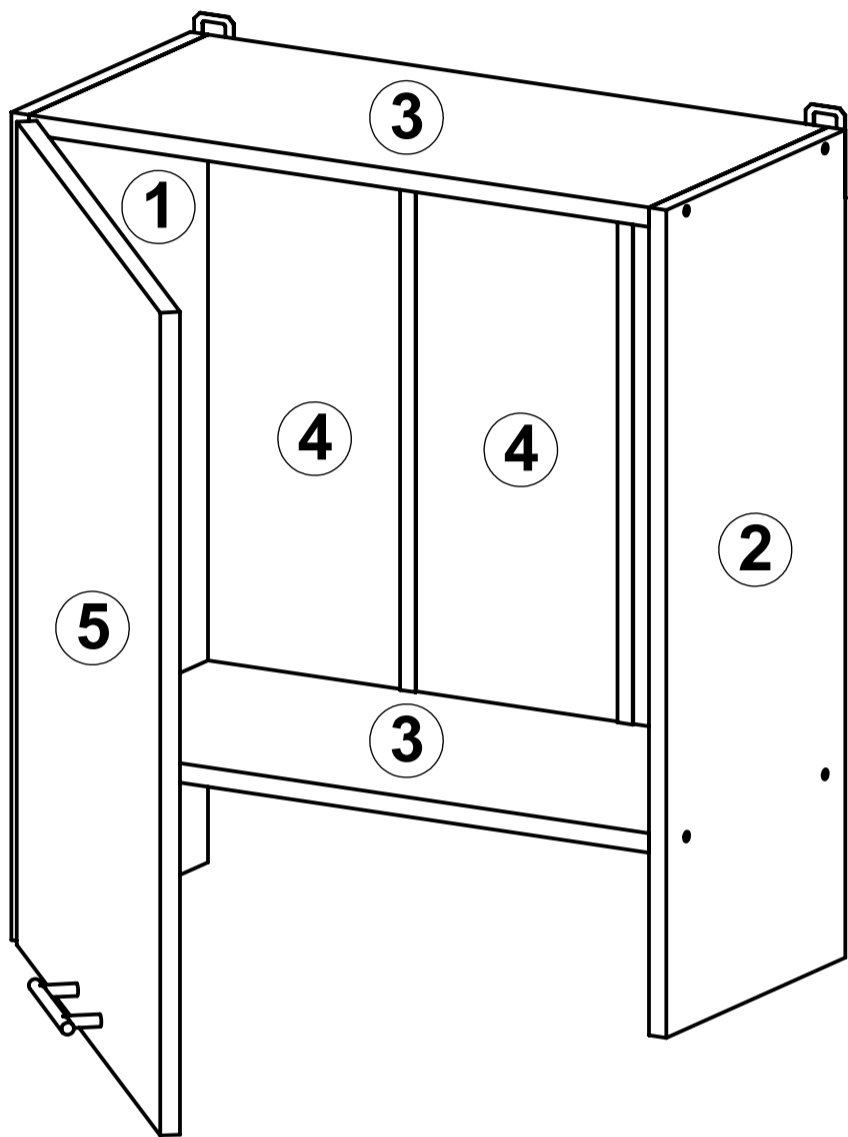




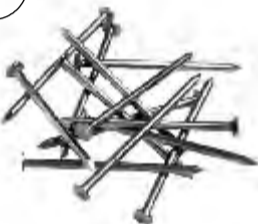






Wall Units 92

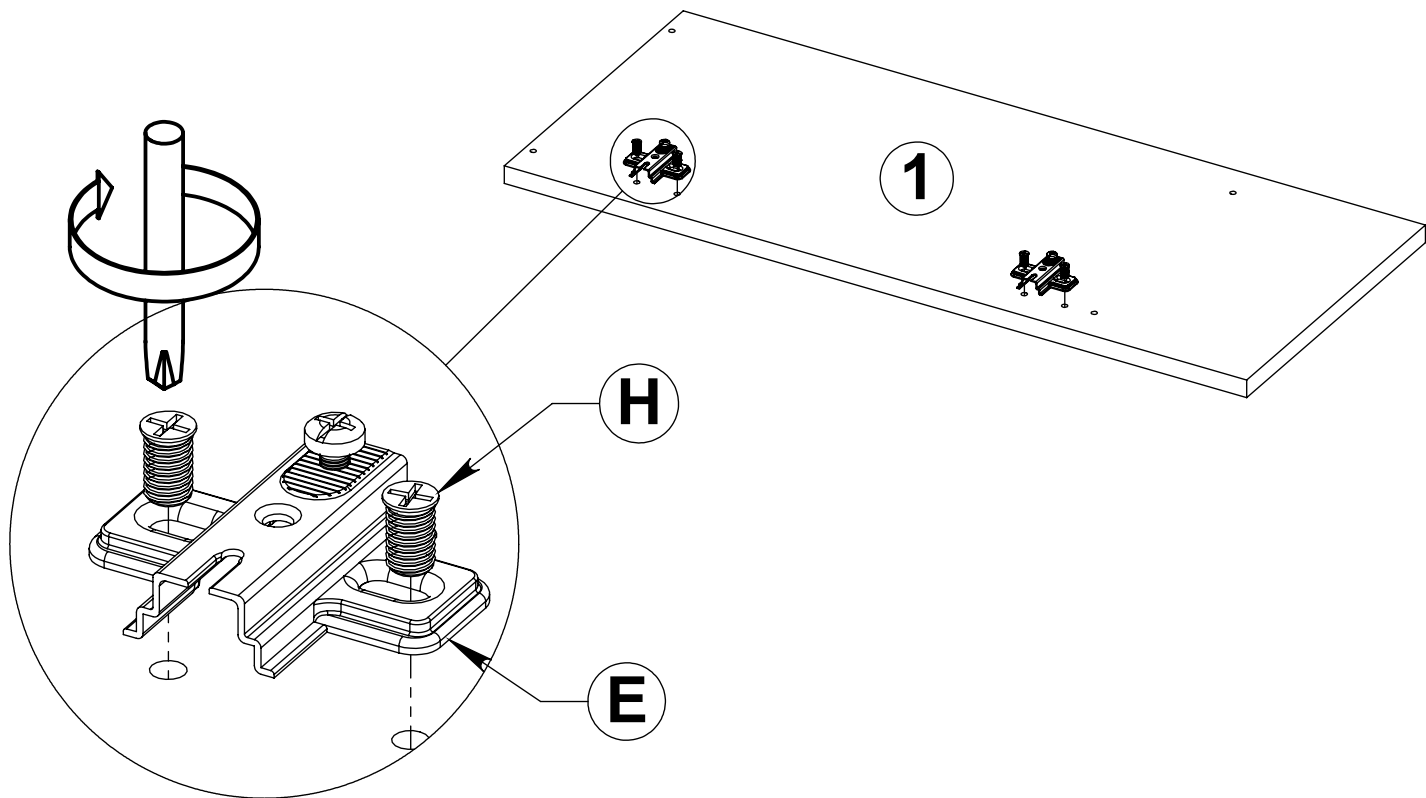


(A)  x2	(B)  x1	(C) 4,0*16  x4
(D) 4,0*30  x8	(E)  x2	(F)  x15
(G)  x2	(H)  x4	(I)  x2
(J)  x8		

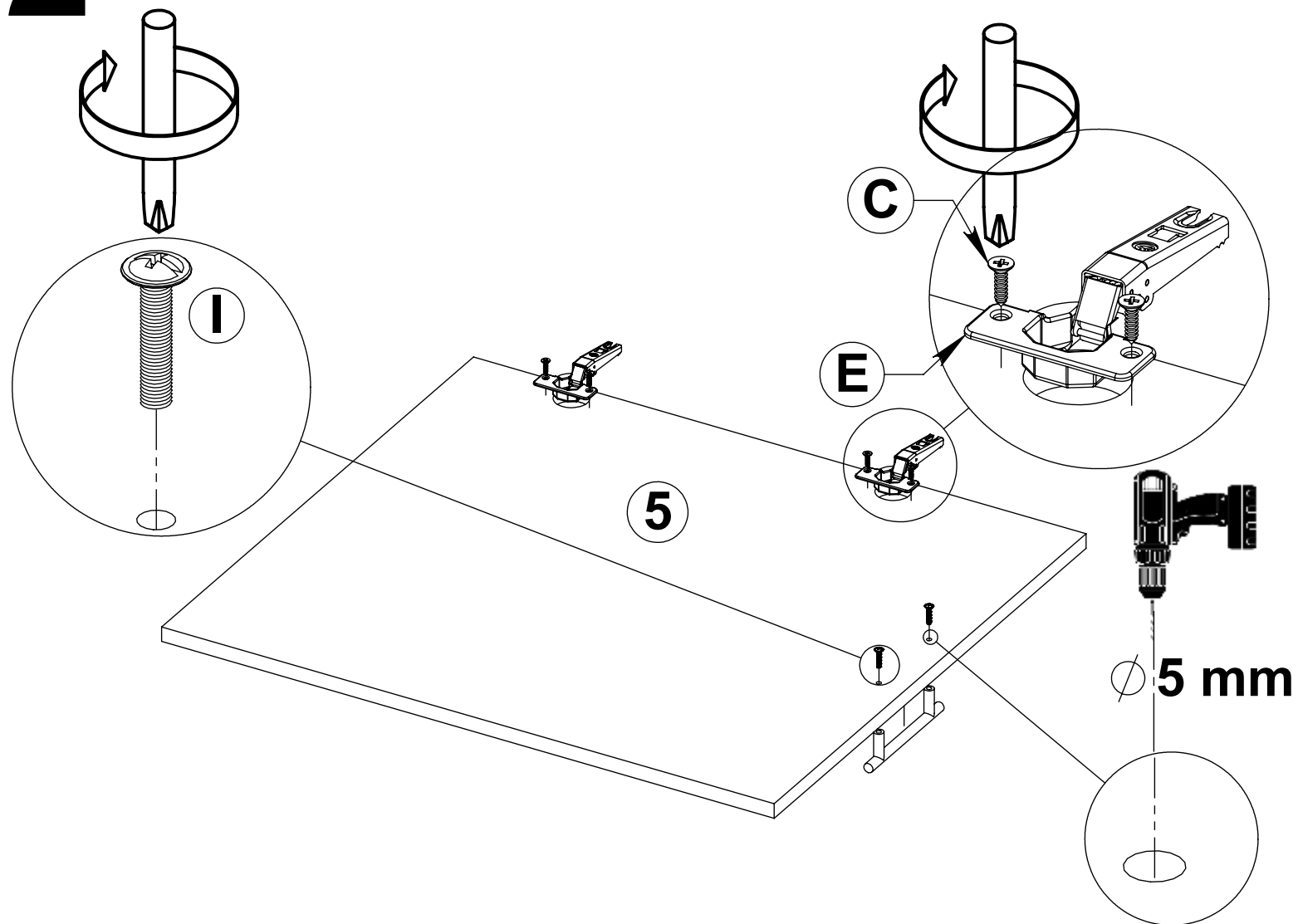
No W60681 x

①	685x280x16	1
②	685x280x16	1
③	678x280x16	2
④	681x198x2,5	3
⑤	680x596x16	1
⑥	776x260x16	1

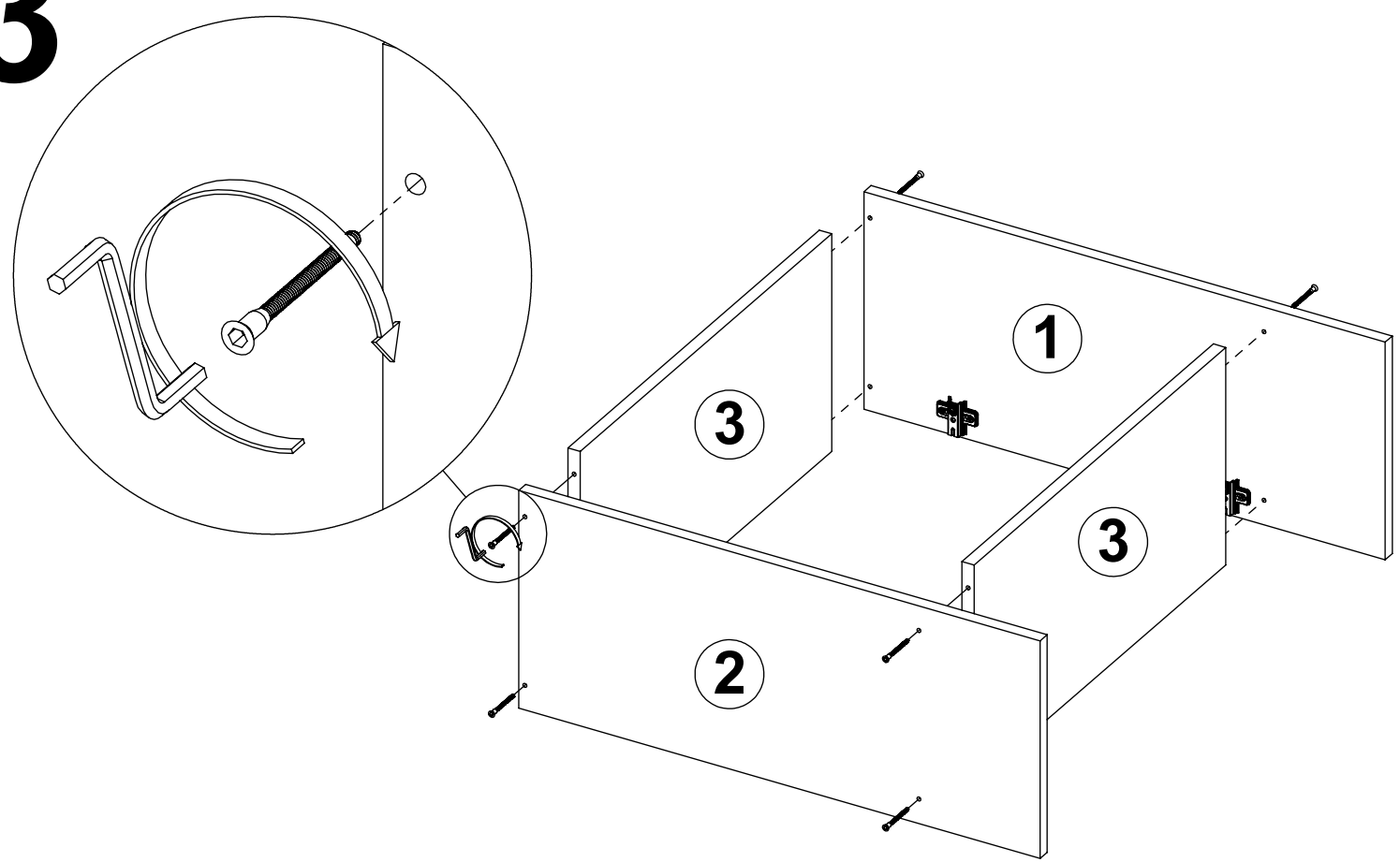
1



2

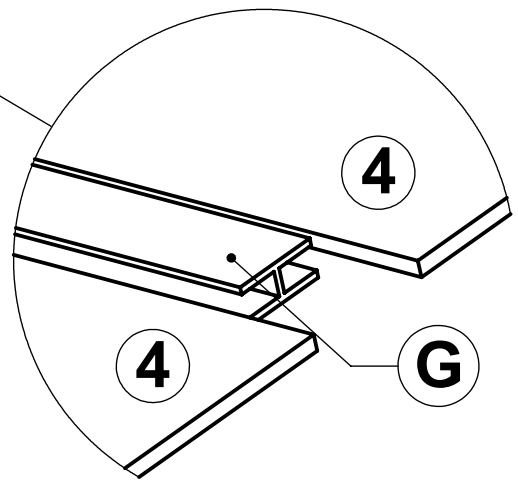
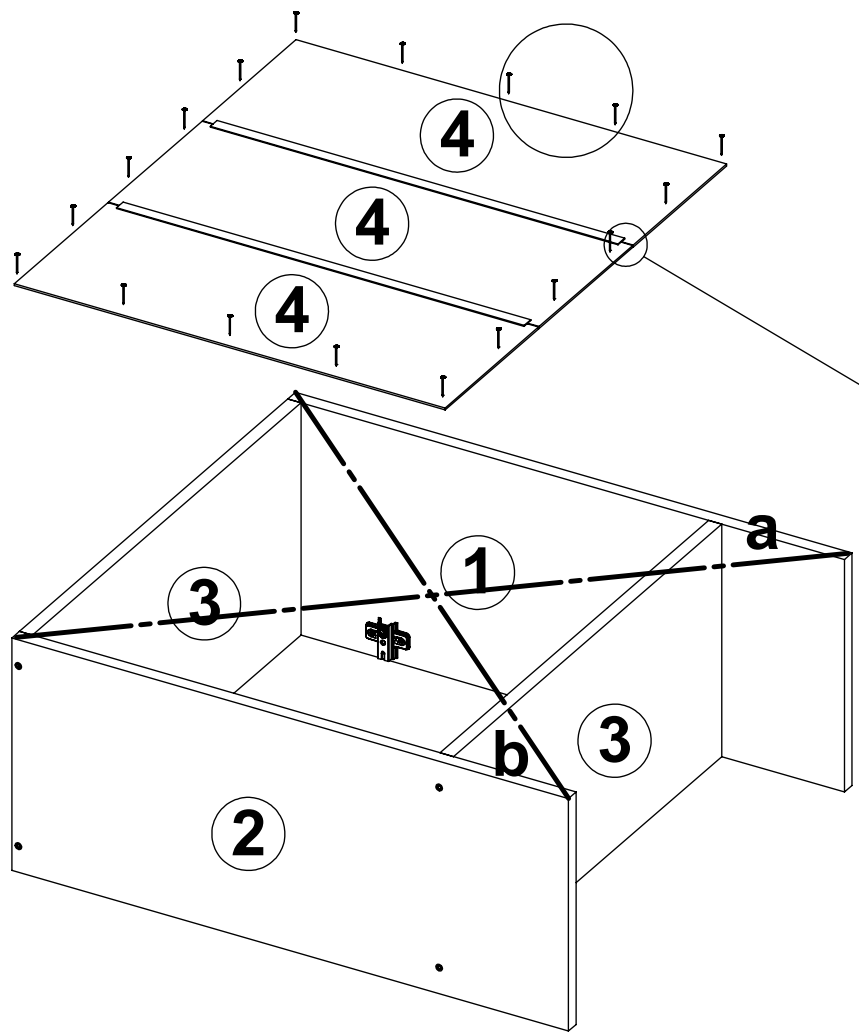
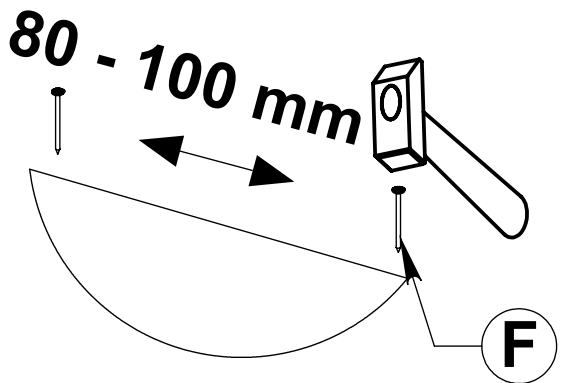


3

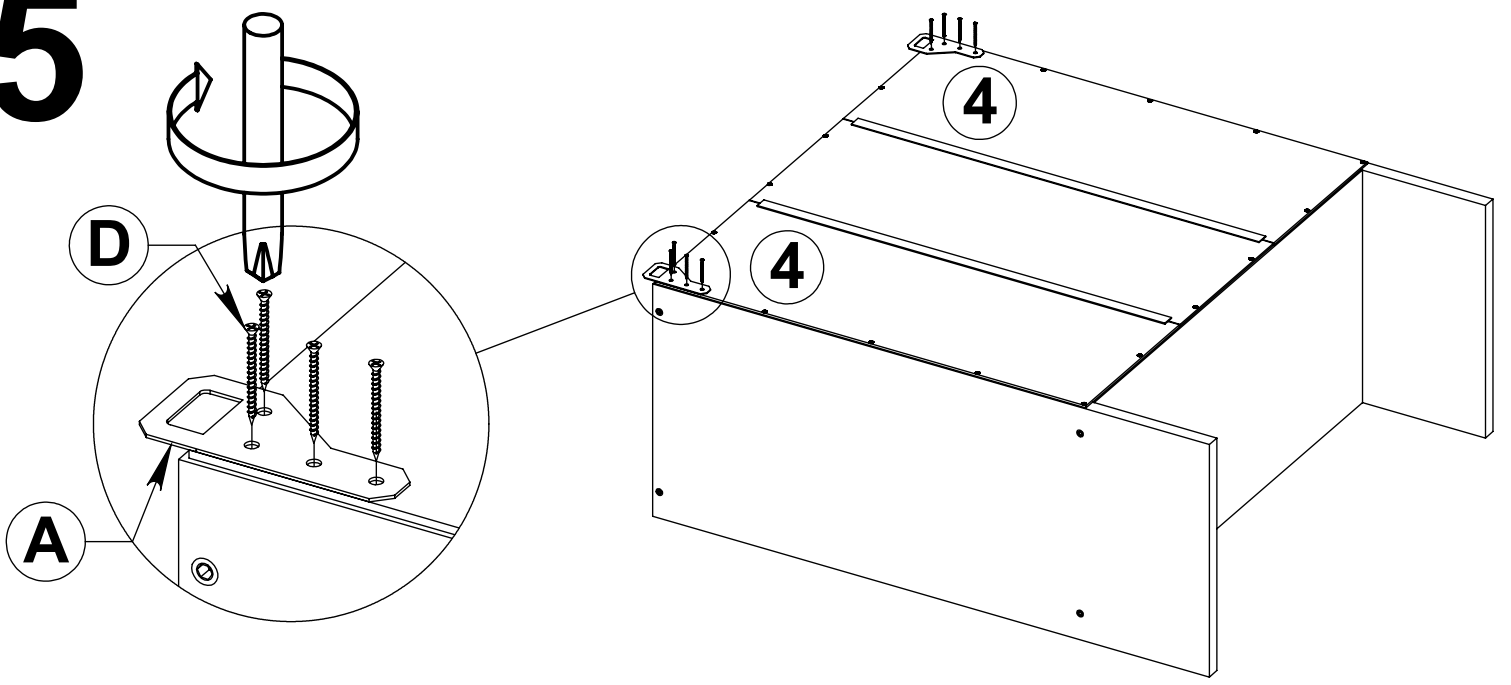


4

a = b



5



6

