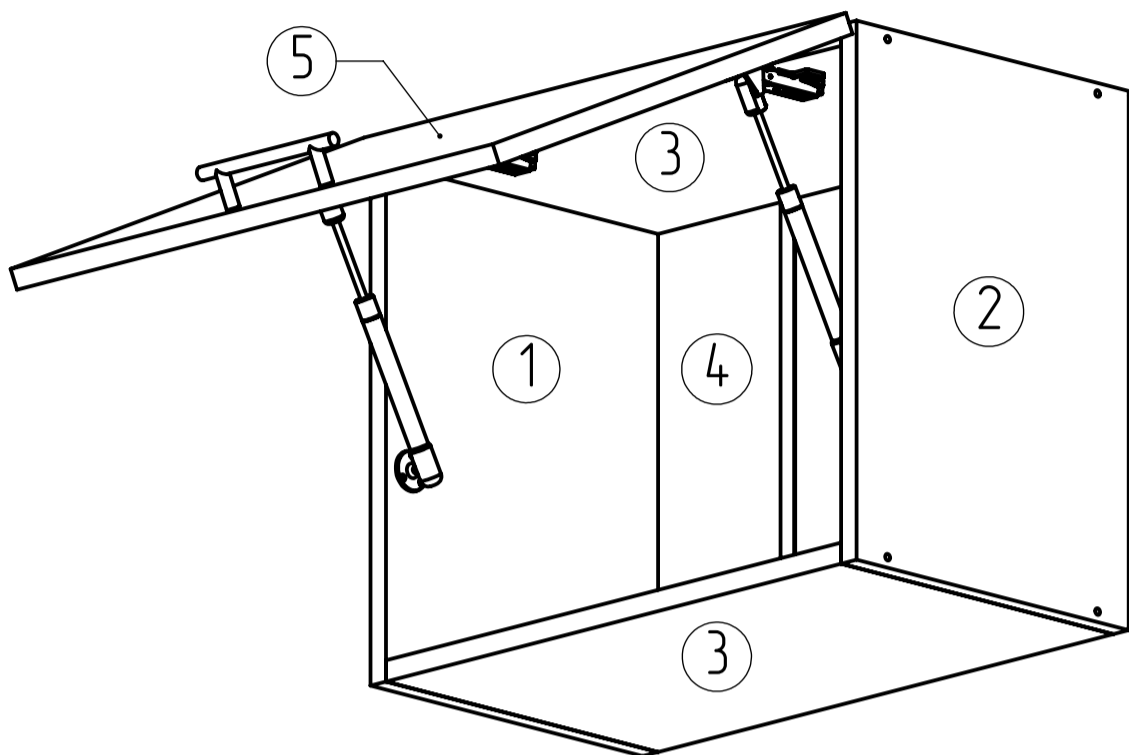












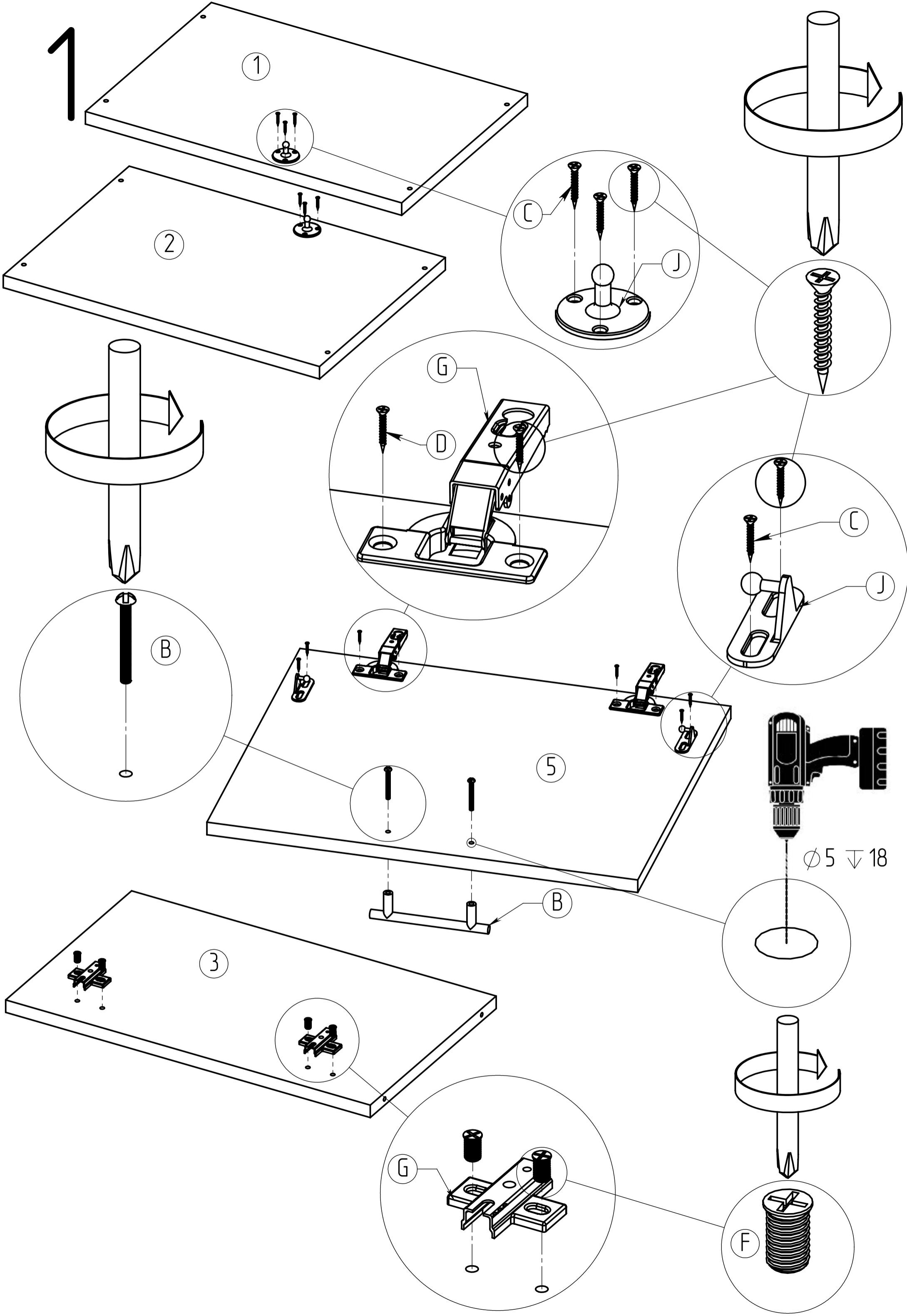


Wall Units

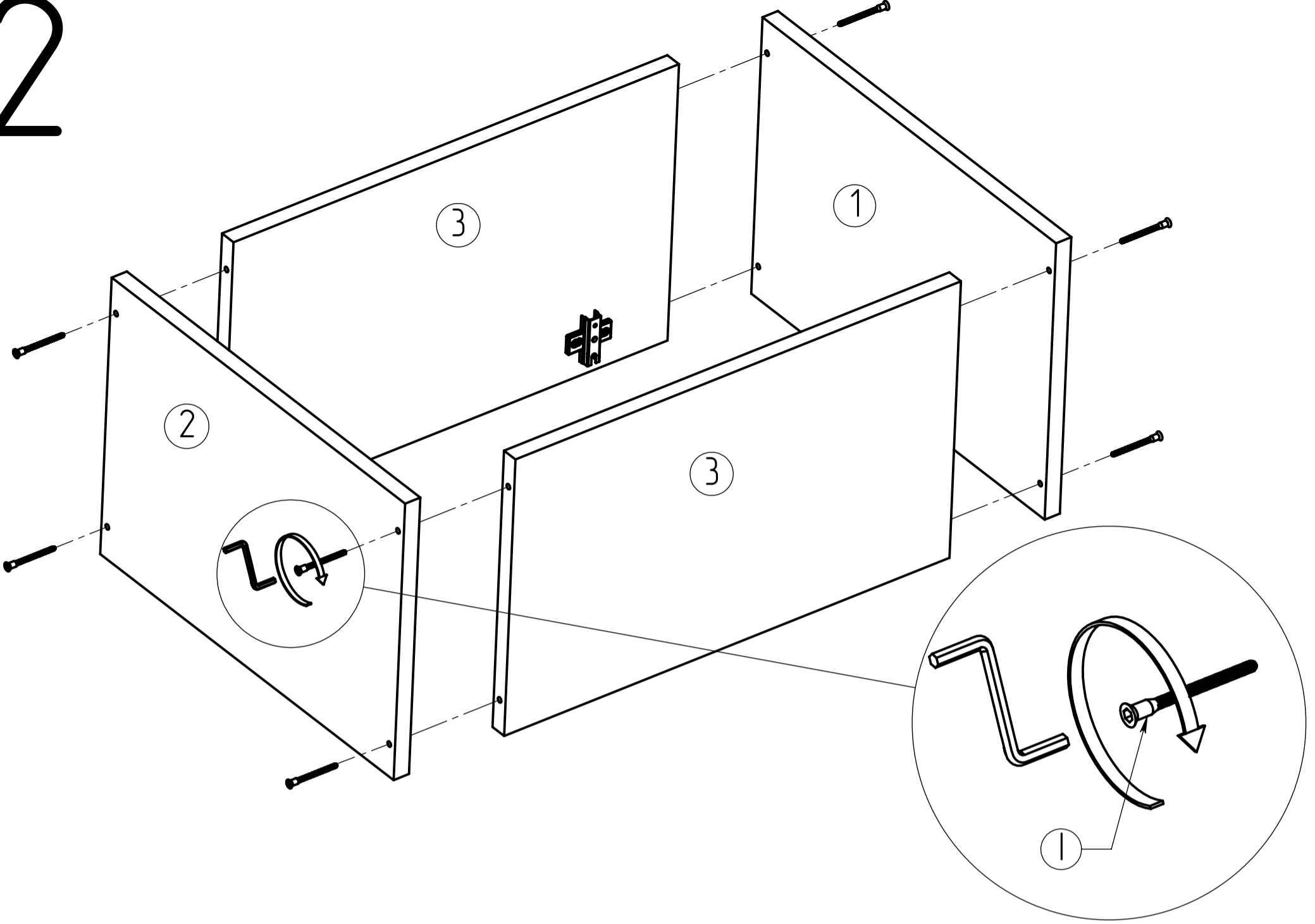


<p>(A)</p>  <p>x2</p>	<p>(B)</p>  <p>x1</p>
<p>(C)</p>  <p>x10 3,5*16</p>	<p>(D)</p>  <p>x4 4,0*16</p>
<p>(E)</p>  <p>x8 4,0*30</p>	<p>(F)</p>  <p>x4</p>
<p>(G)</p>  <p>x2</p>	<p>(H)</p>  <p>x15</p>
<p>(I)</p>  <p>x8</p>	<p>(I1)</p>  <p>x8</p>
<p>(J)</p>  <p>x2</p>	<p>(K)</p>  <p>x2</p>

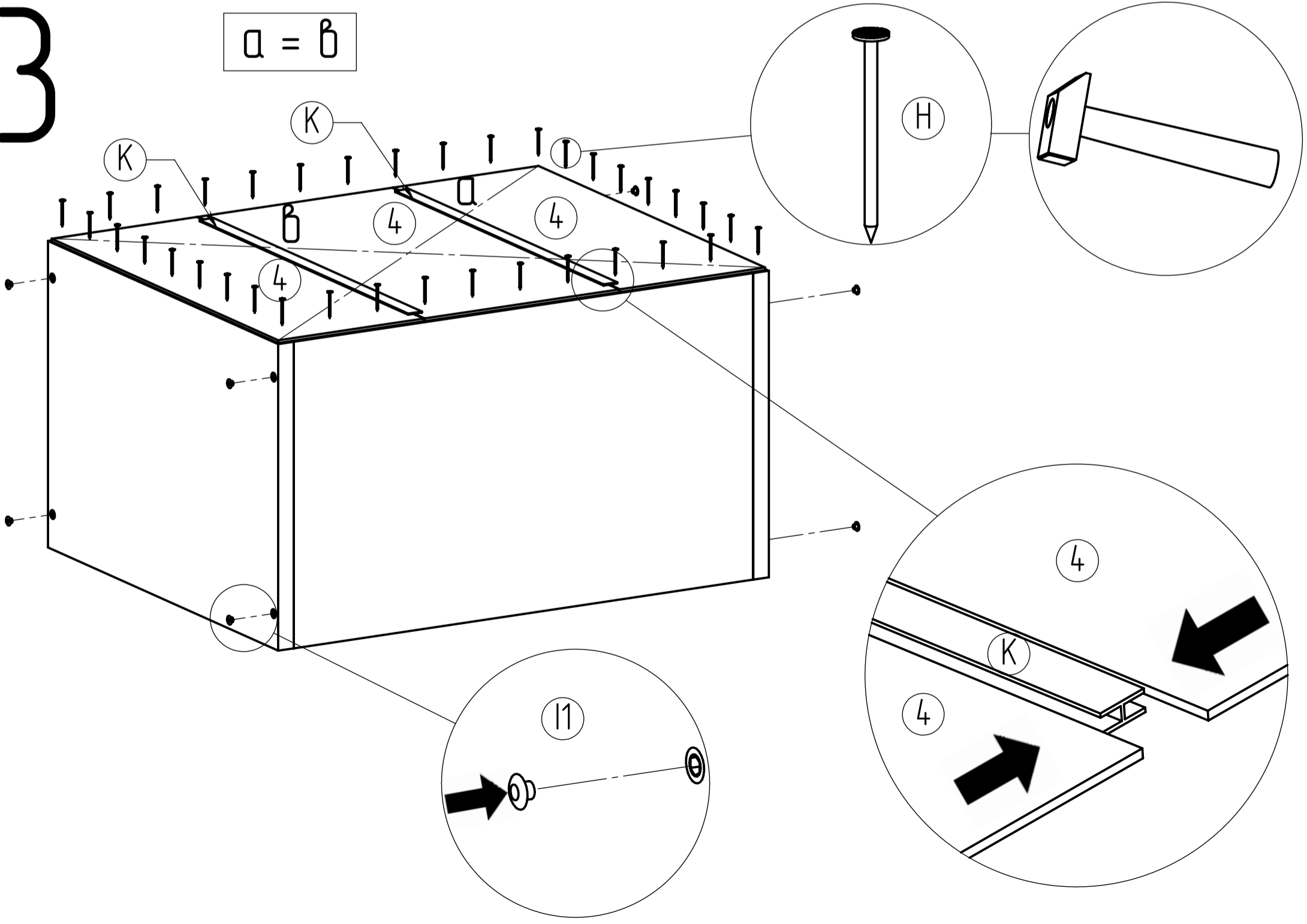
	W5040	W6040	x
(1)	406x280x16	406x280x16	1
(2)	406x280x16	406x280x16	1
(3)	468x280x16	568x280x16	2
(4)	400x198x2,5	-	1
	400x148x2,5	-	2
	-	400x198x2,5	3
(5)	400x496x16	400x596x16	1



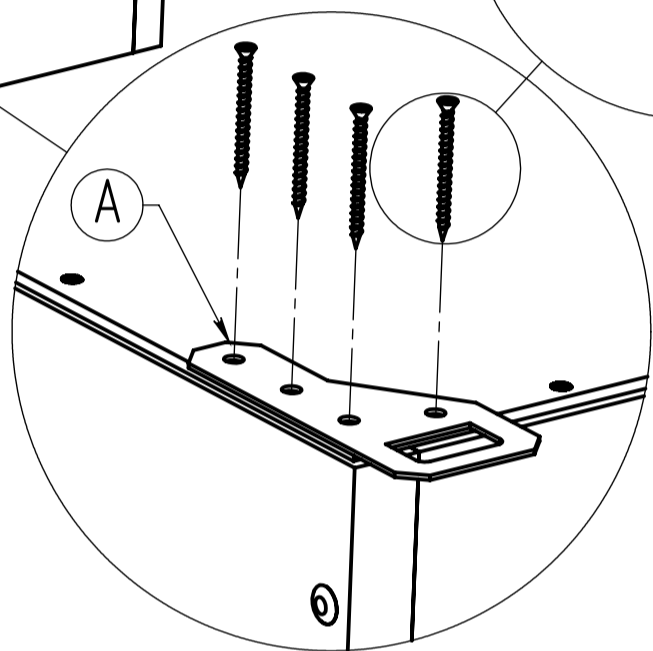
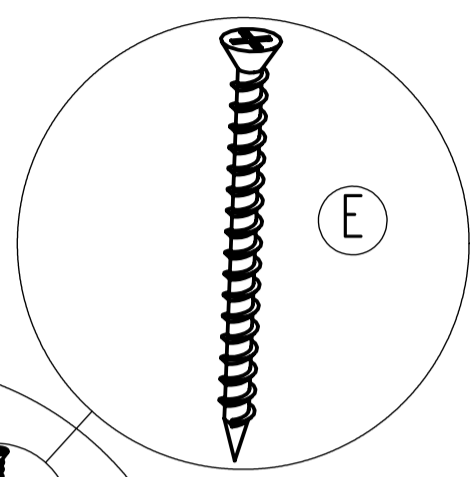
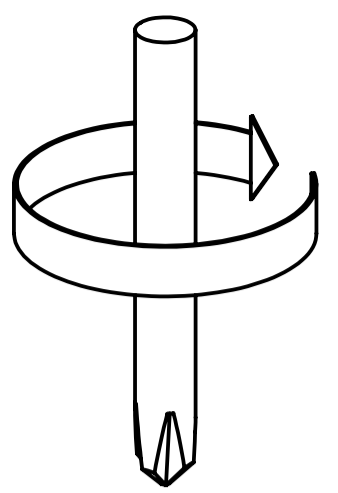
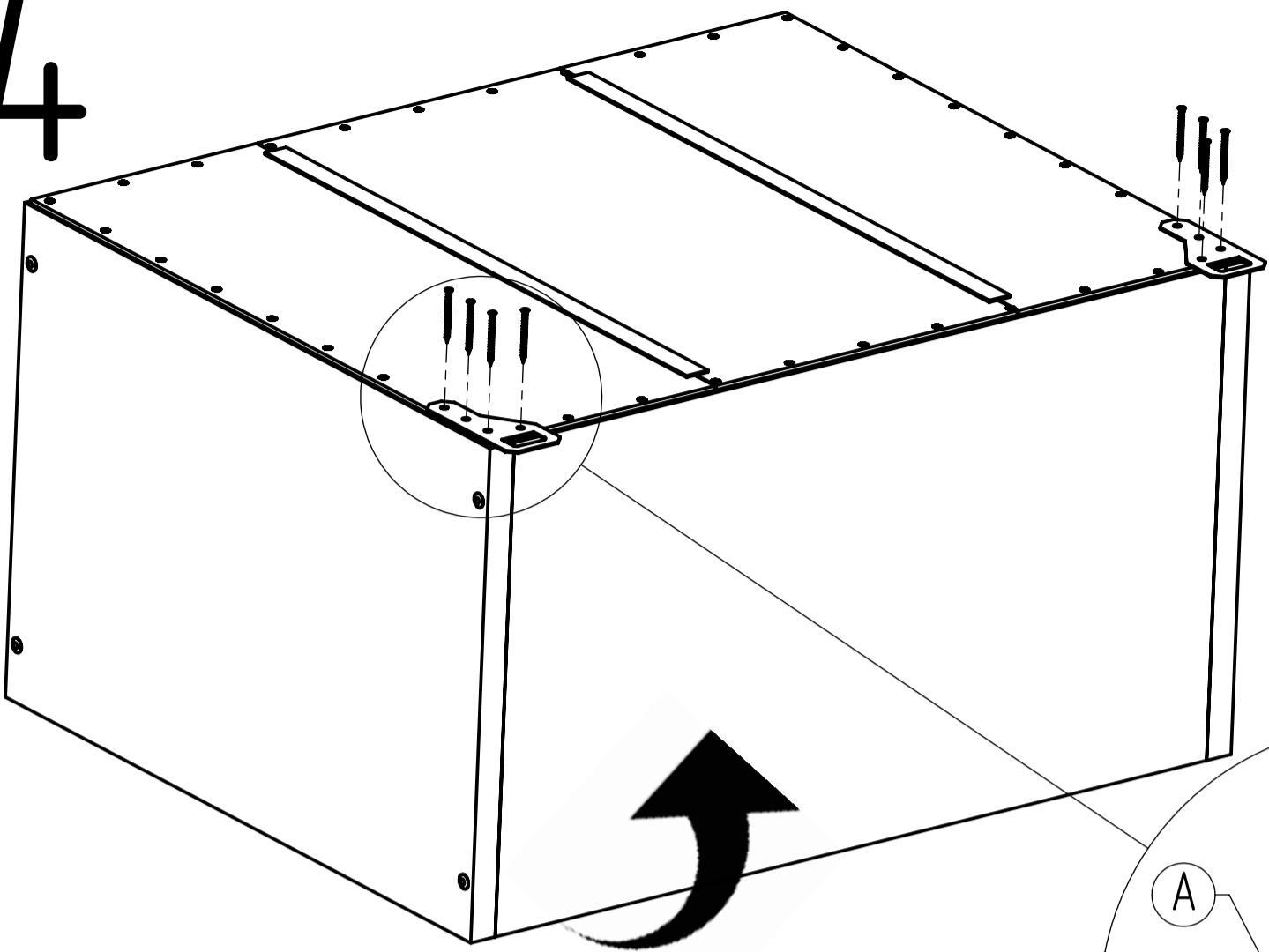
2



3



4



5

