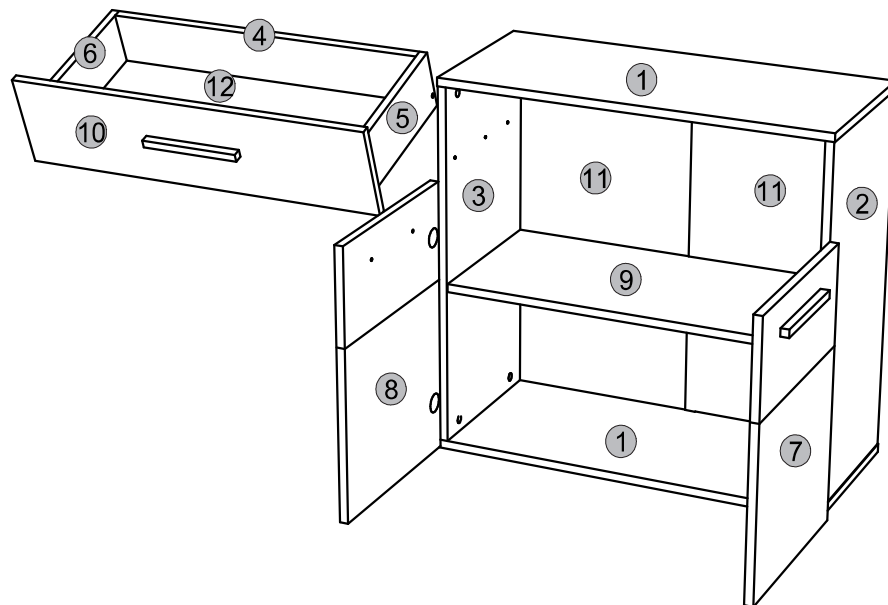
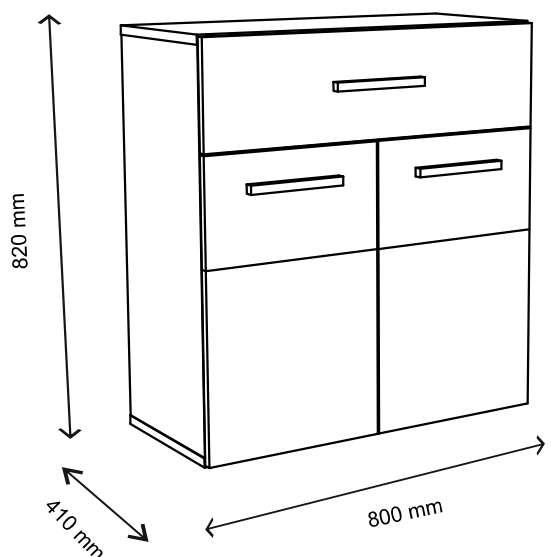
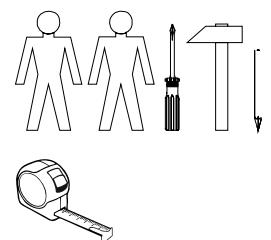


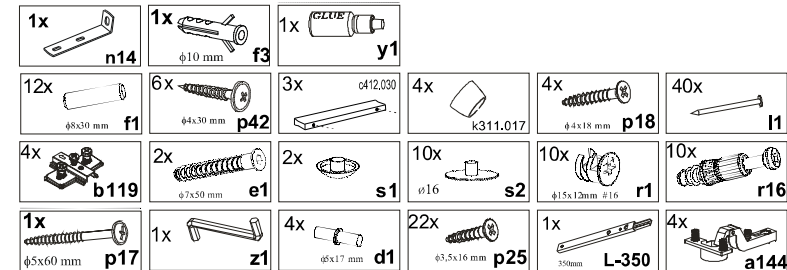
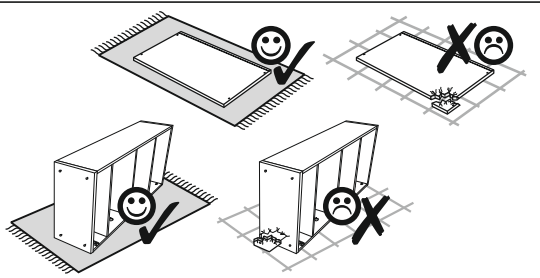
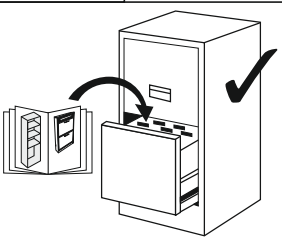
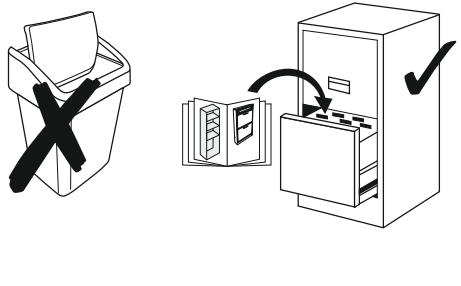


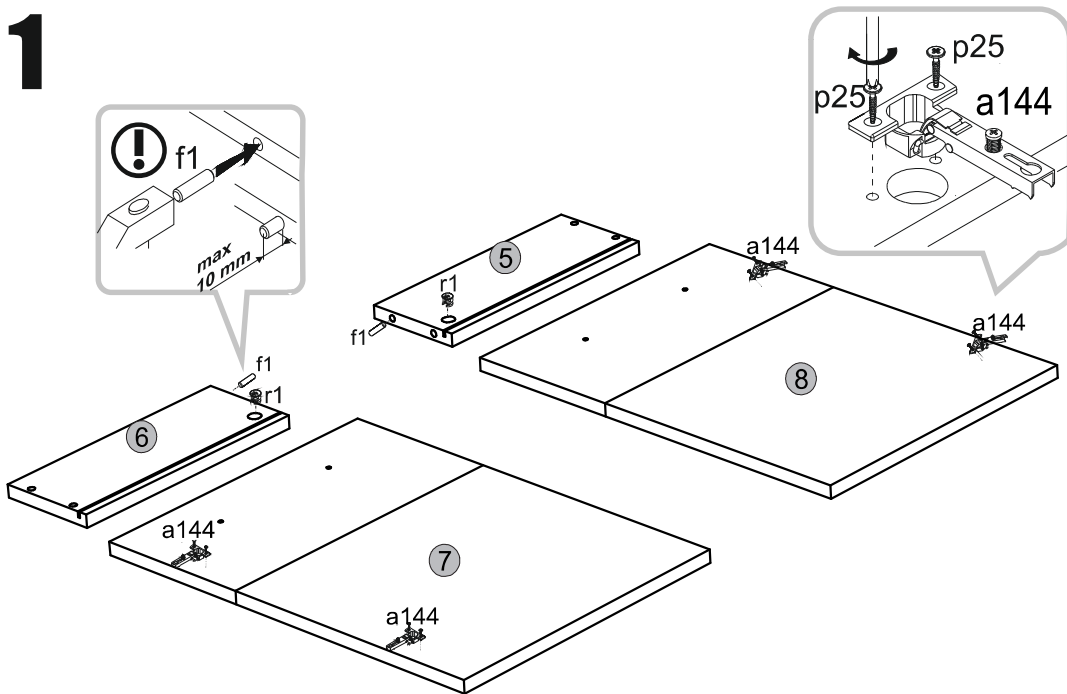
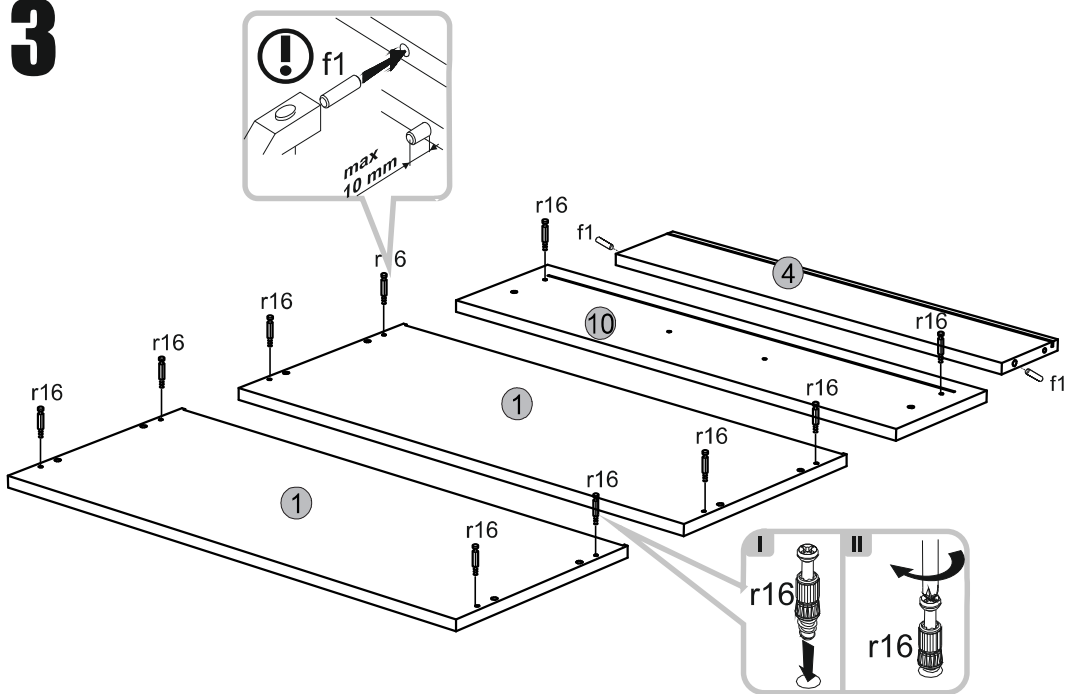
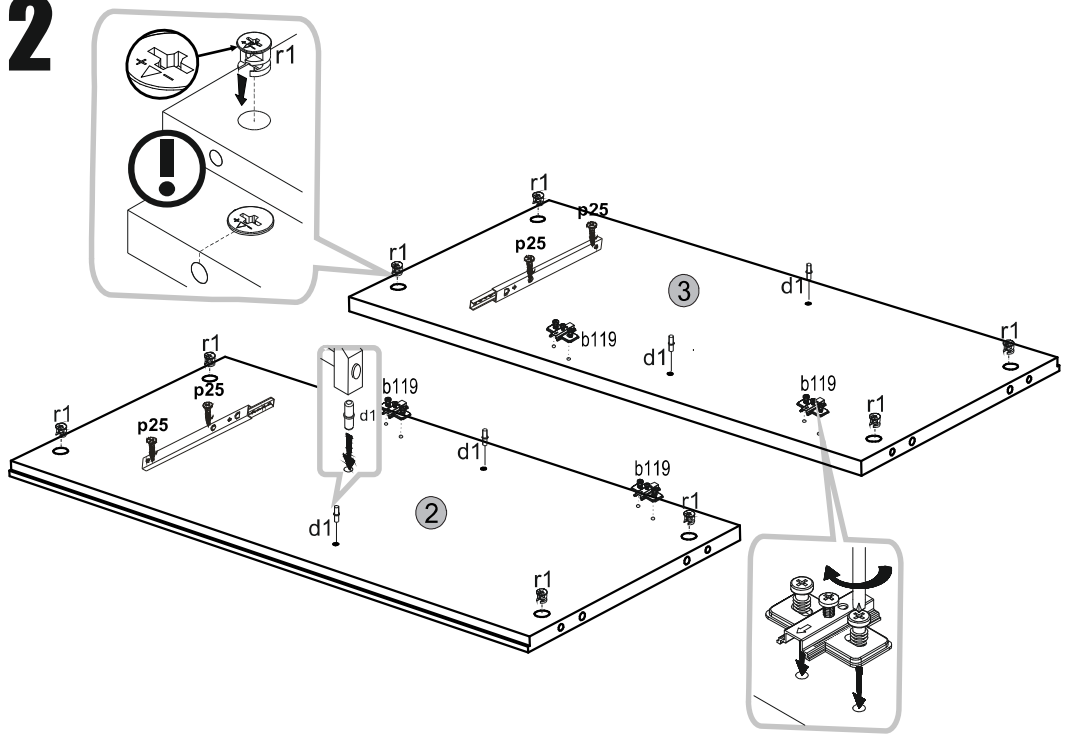
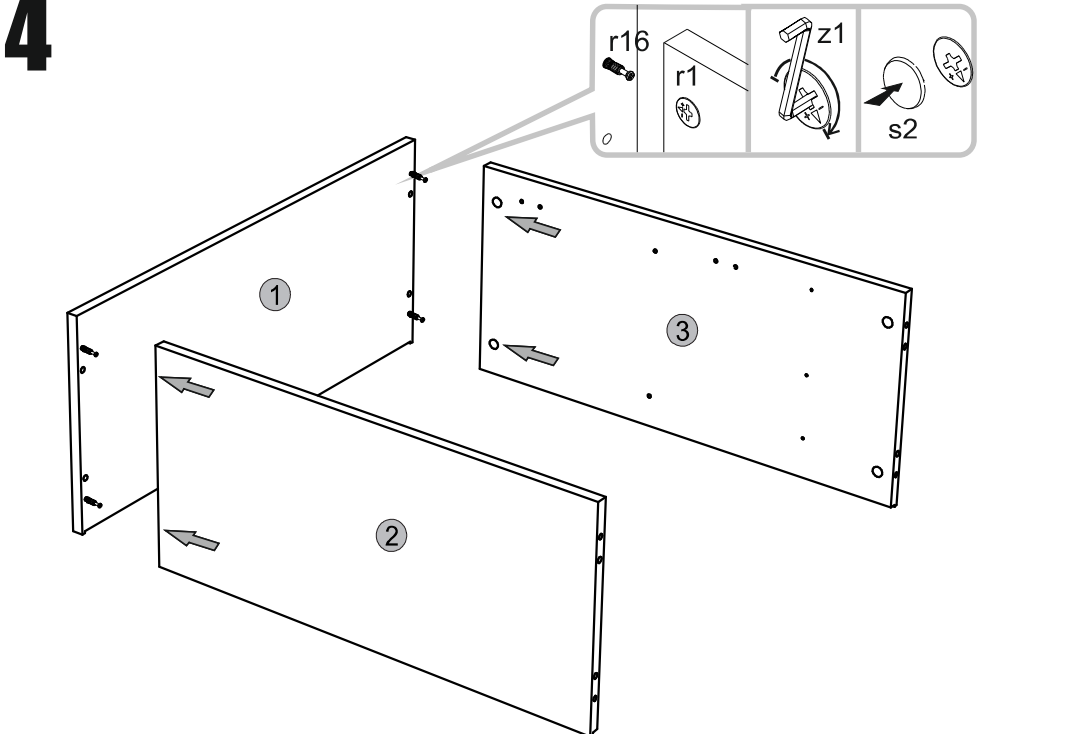
Instalation manual

SOLO: KOM_2D1S

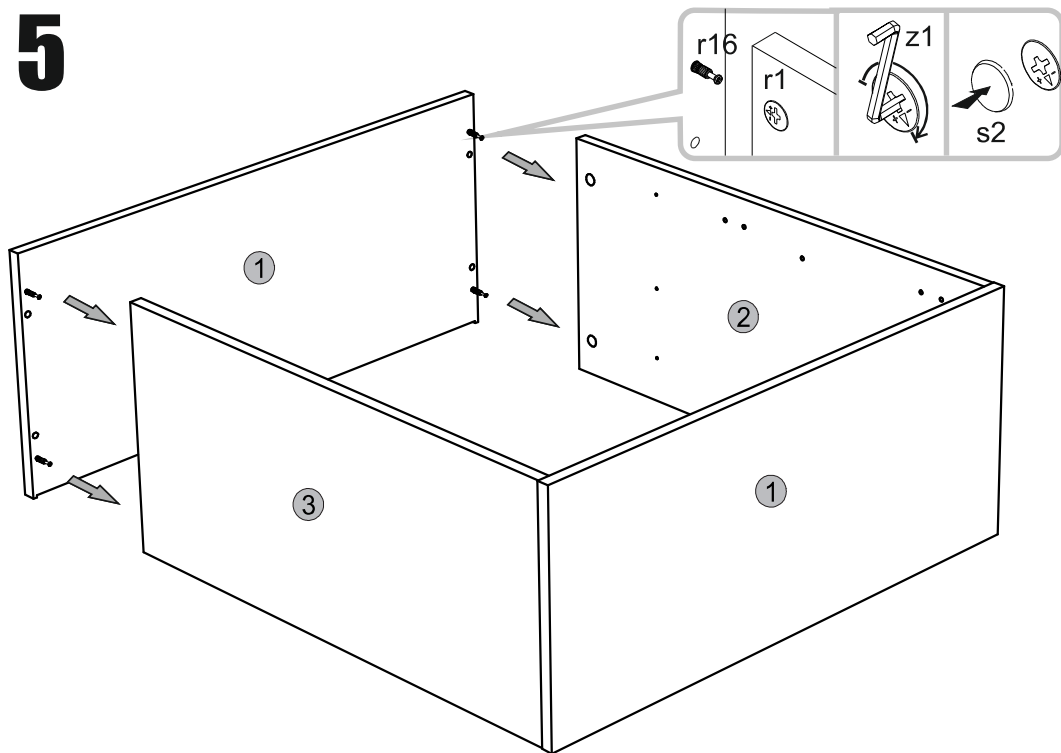


Element symbol	Dimensions			Code	Package
1	800	394	16	2	SN-201 1/1
2	762	394	16	1	SN-101 1/1
3	762	394	16	1	SN-102 1/1
4	708	120	16	1	SN-401 1/1
5	350	120	16	1	SN-402 1/1
6	350	120	16	1	SN-403 1/1
7	597	397	16	1	SN-001 1/1
8	597	397	16	1	SN-002 1/1
9	766	387	16	1	SN-301 1/1
10	188	797	16	1	SN-003 1/1
11	780	390	3	2	SN-601 1/1
12	722	348	3	1	SN-602 1/1

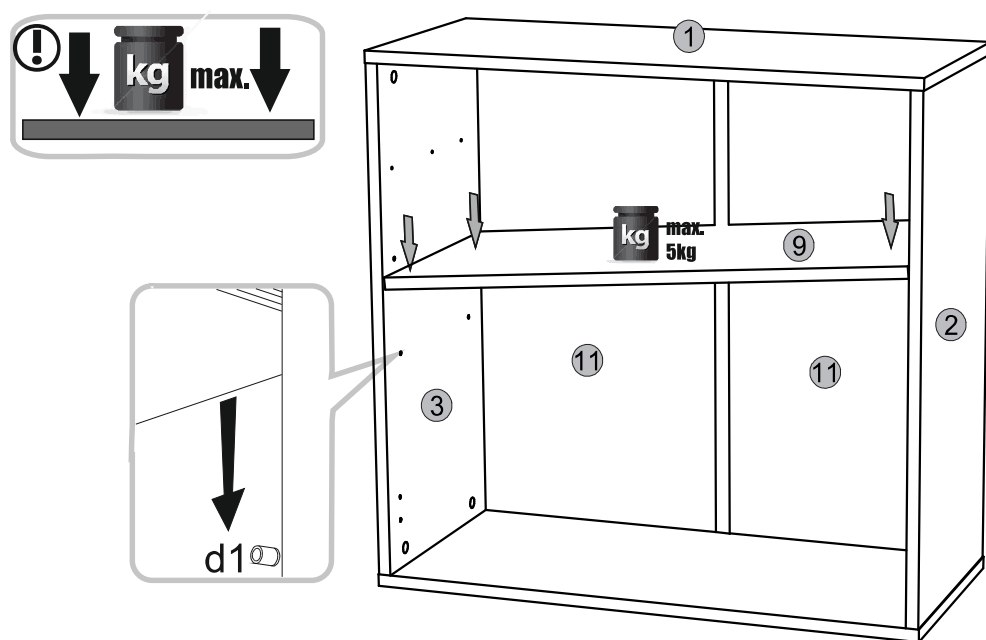


1**3****2****4**

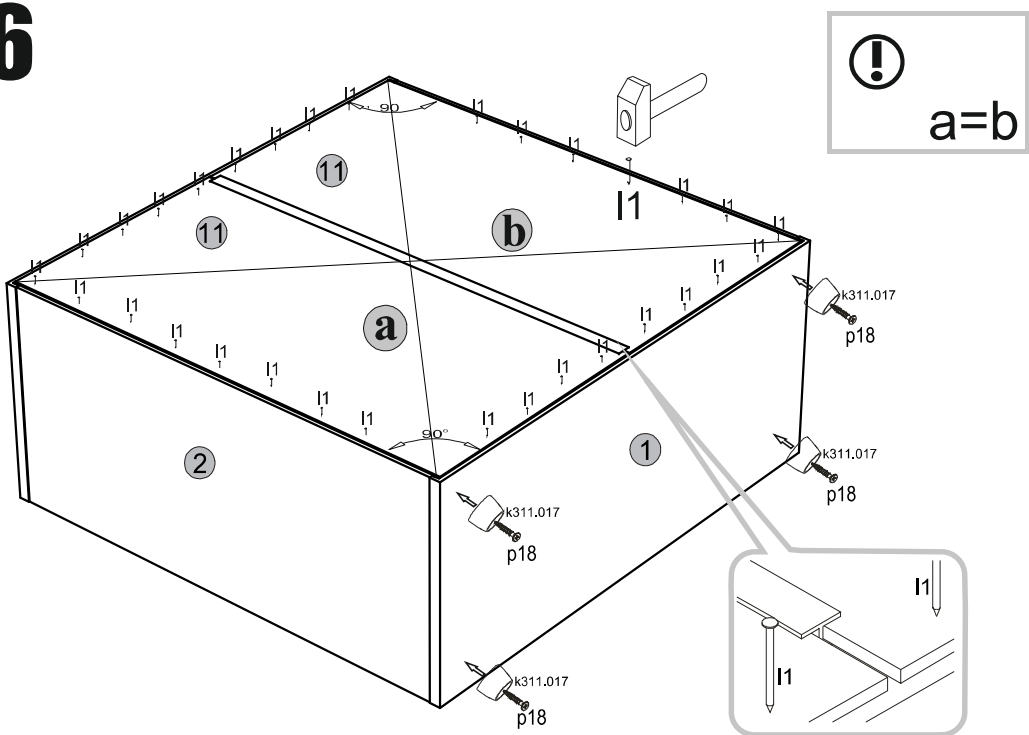
5



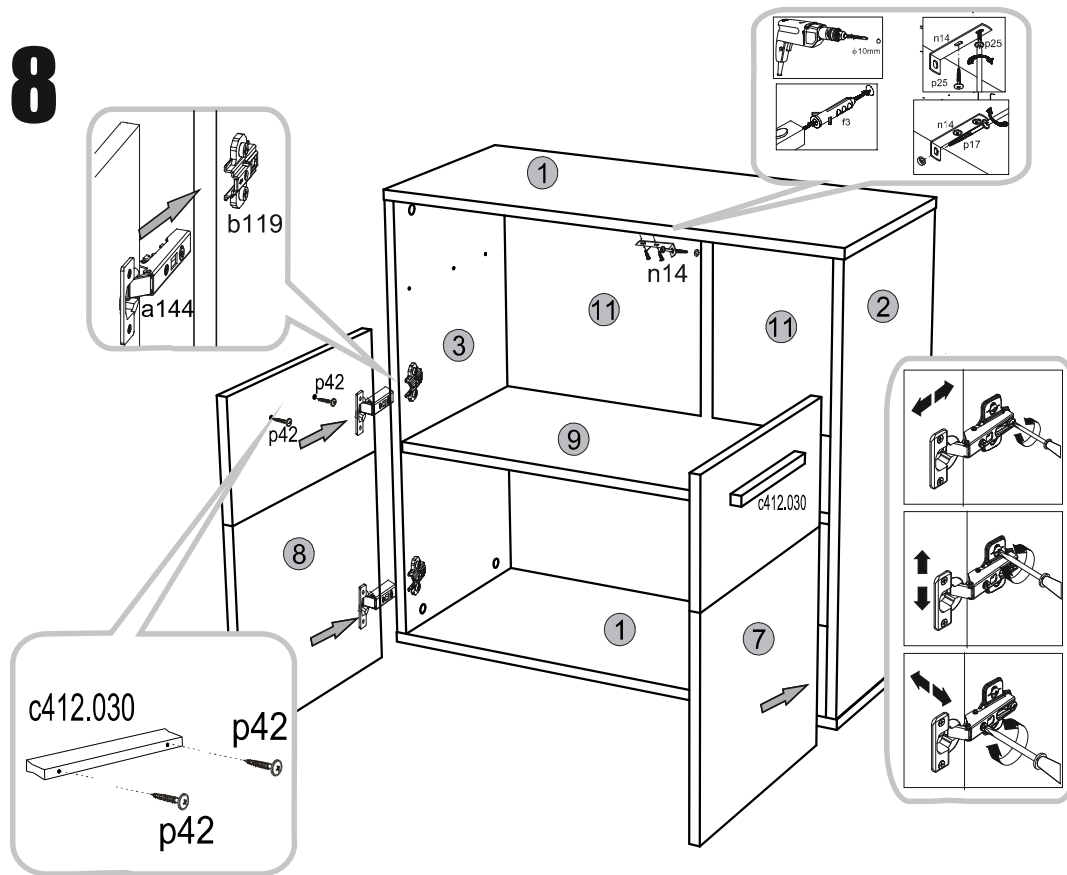
7



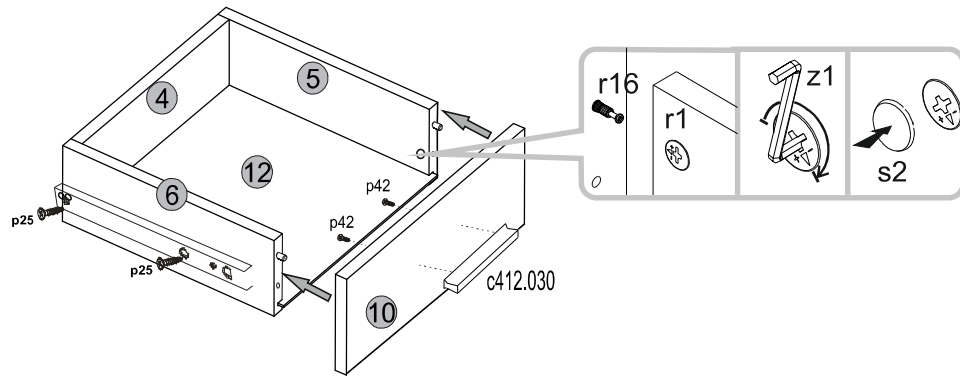
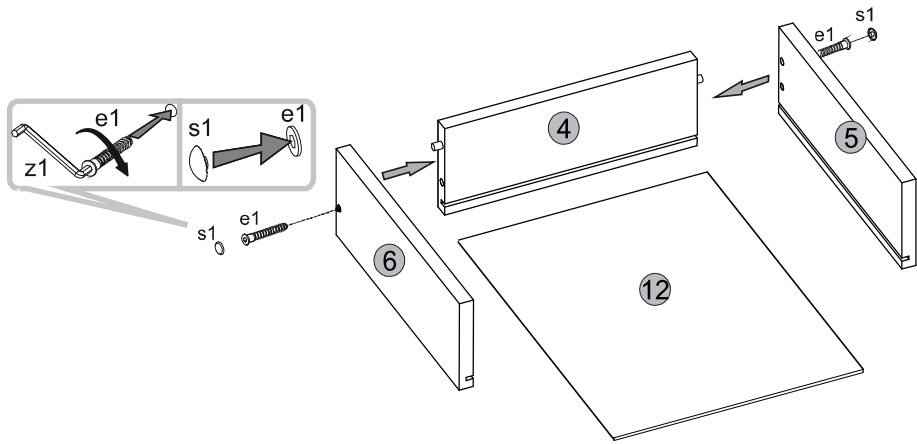
6



8



9



10

