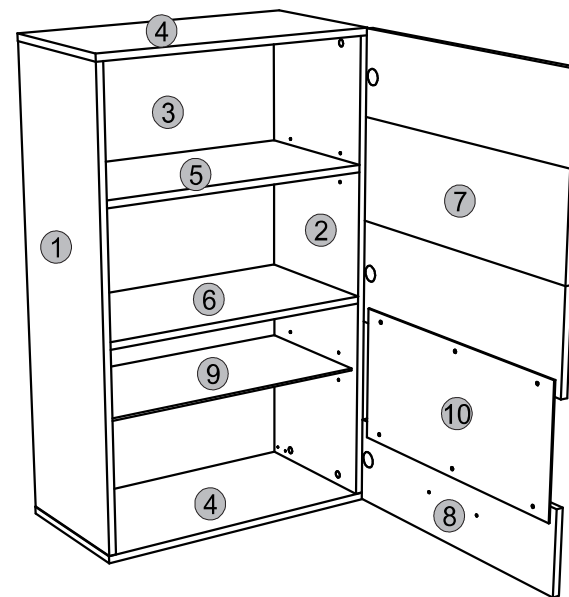
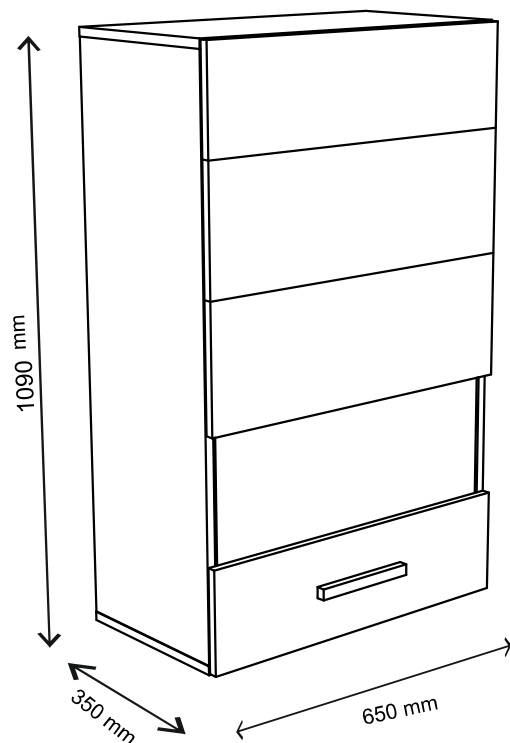
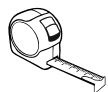
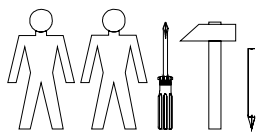
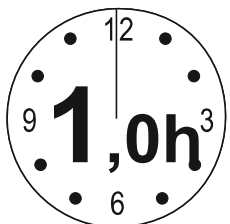


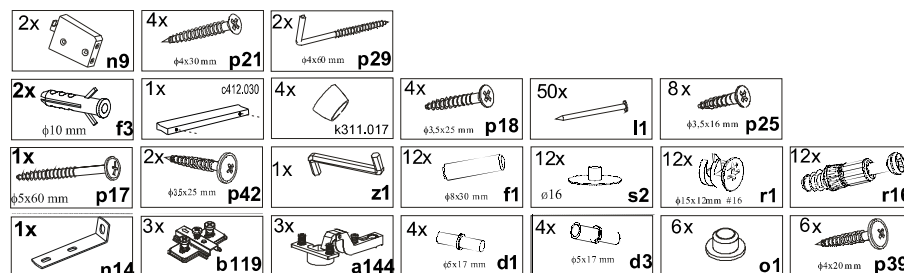
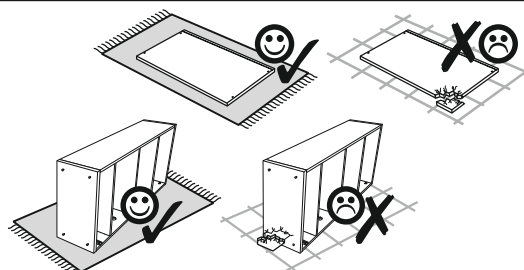
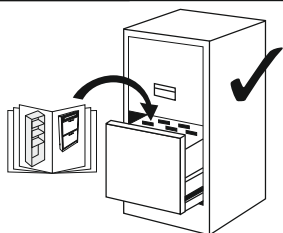


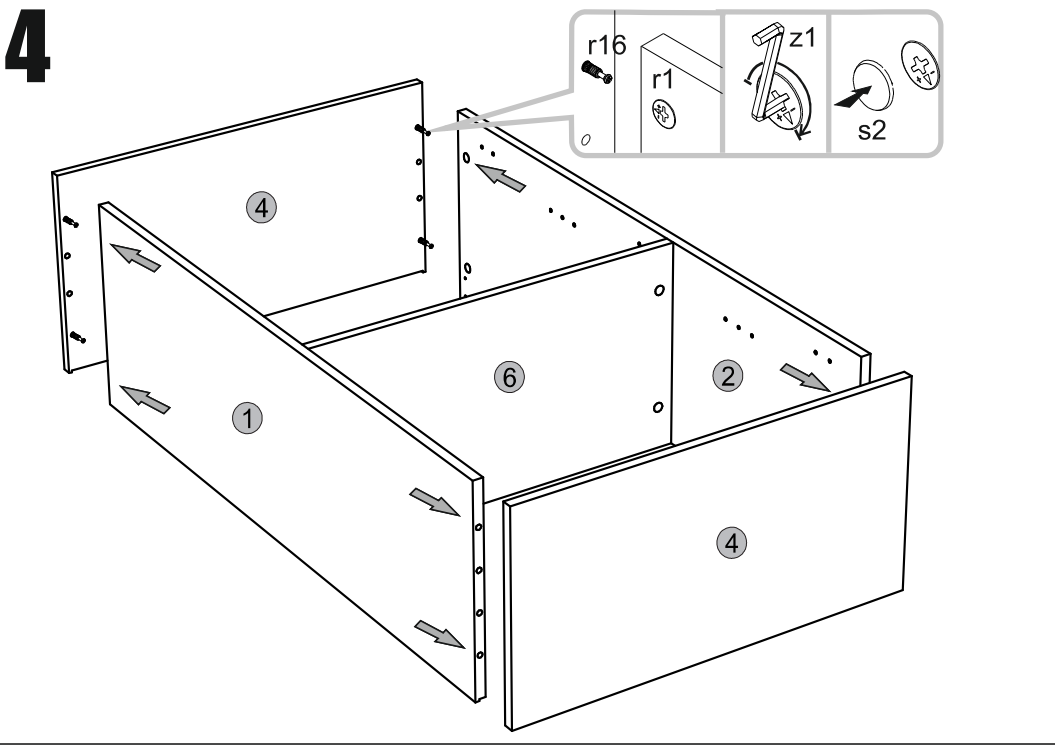
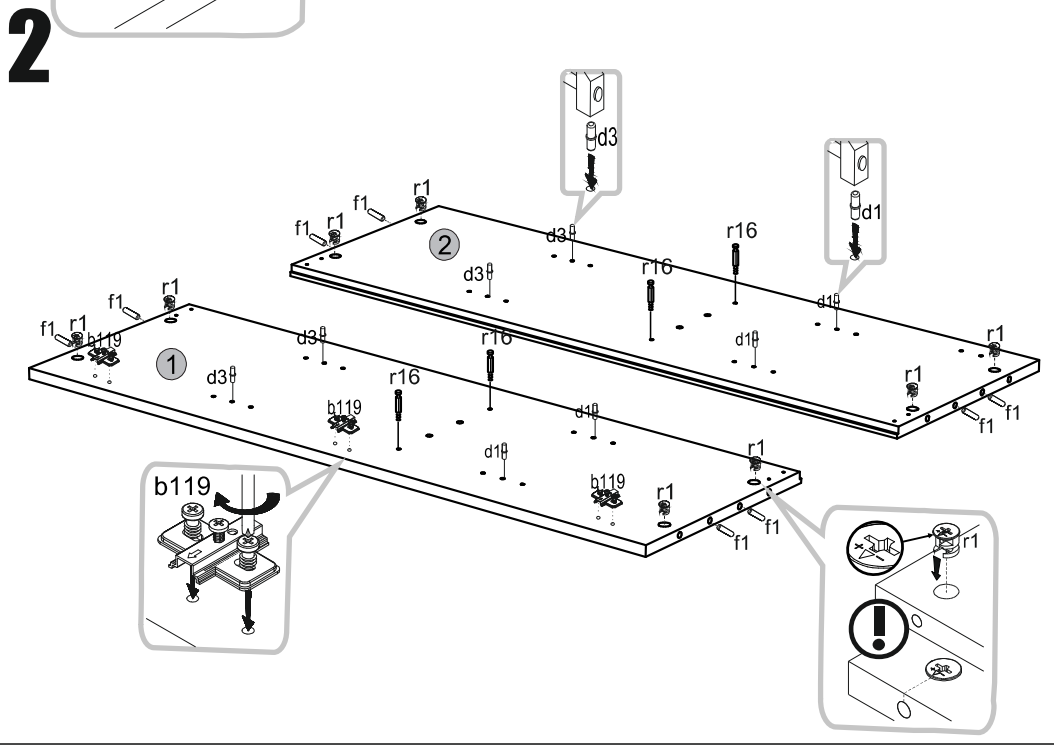
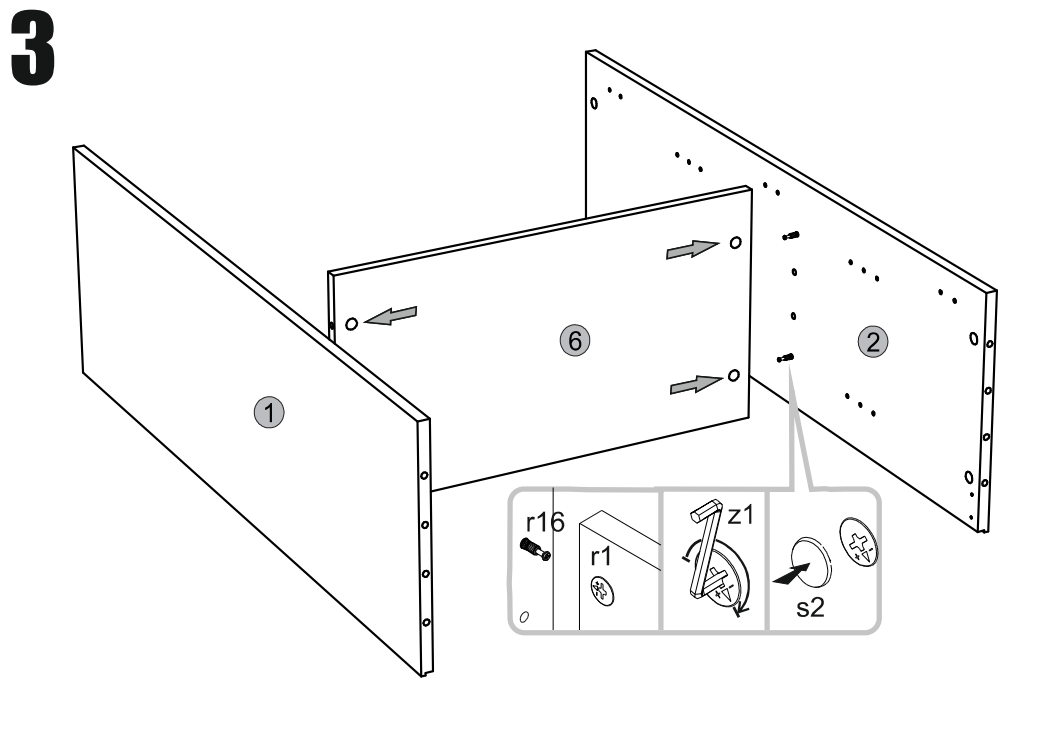
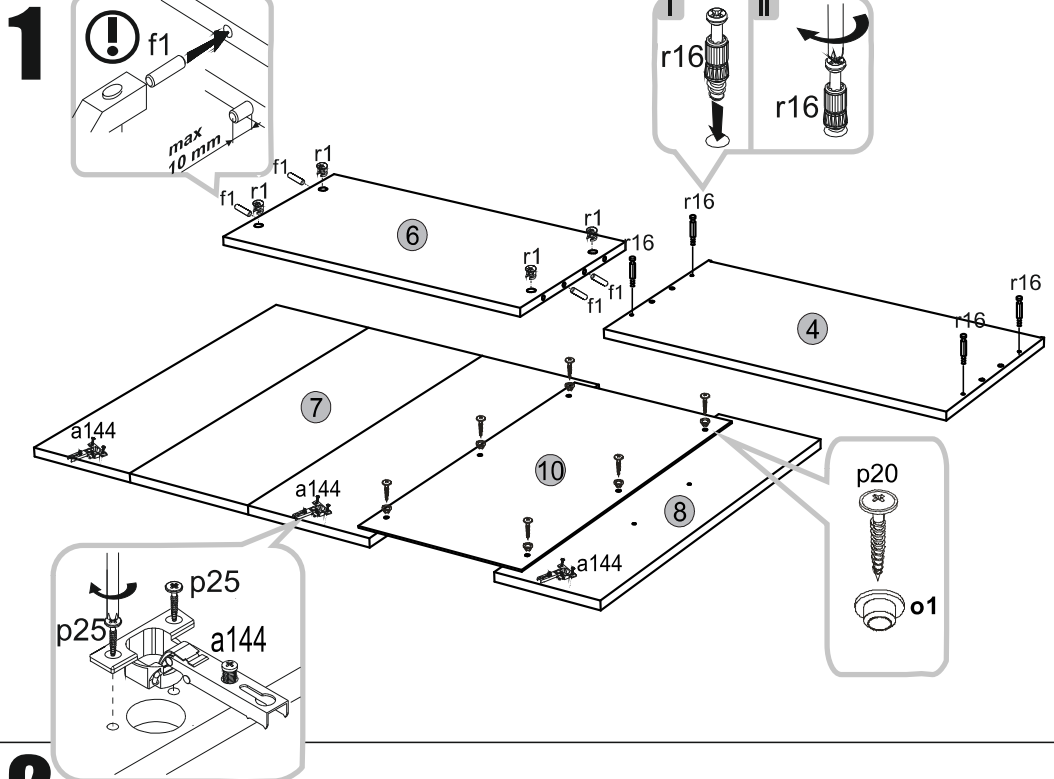
# Instalation manual

SOLO: WIT2\_1W

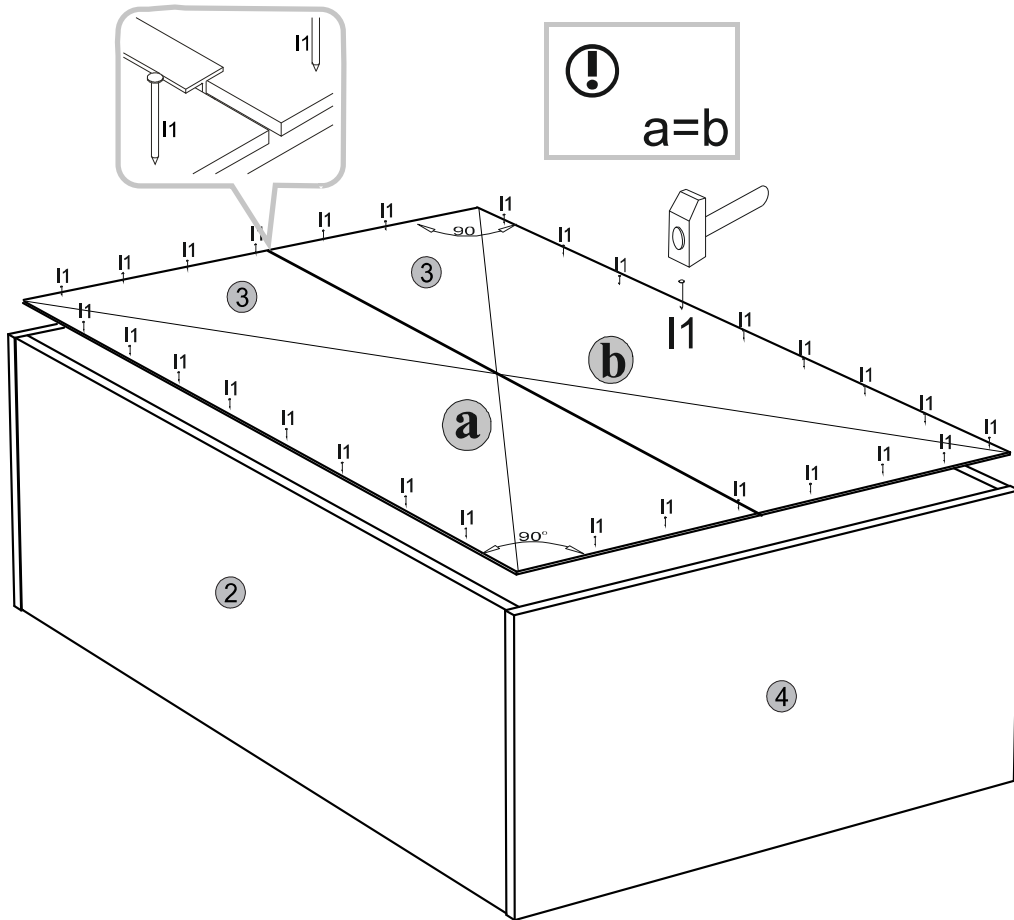


Element symbol	Dimensions				Code	Package
1	1028	333	16	1	SN-159	1/1
2	1028	333	16	1	SN-158	1/1
3	1046	316	3	2	SN-634	1/1
4	649	334	16	2	SN-226	1/1
5	615	330	16	1	SN-339	1/1
6	615	330	16	1	SN-338	1/1
7	642	645	16	1	SN-051	1/1
8	188	645	16	1	SN-589	1/1
9	614	308	5	1	SN-340	1/1
10	297	606	4	1	SN-052	1/1

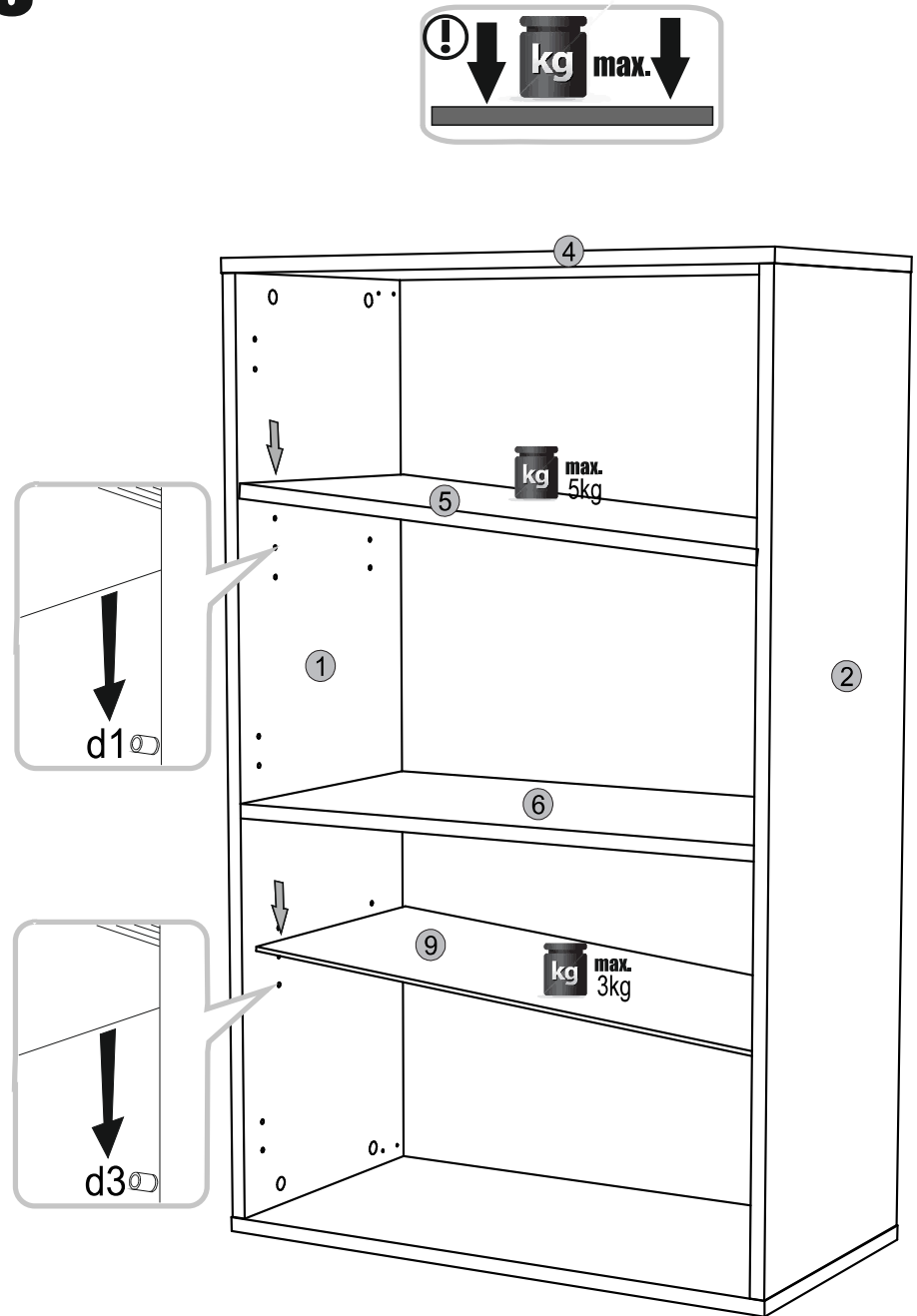




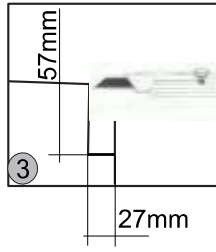
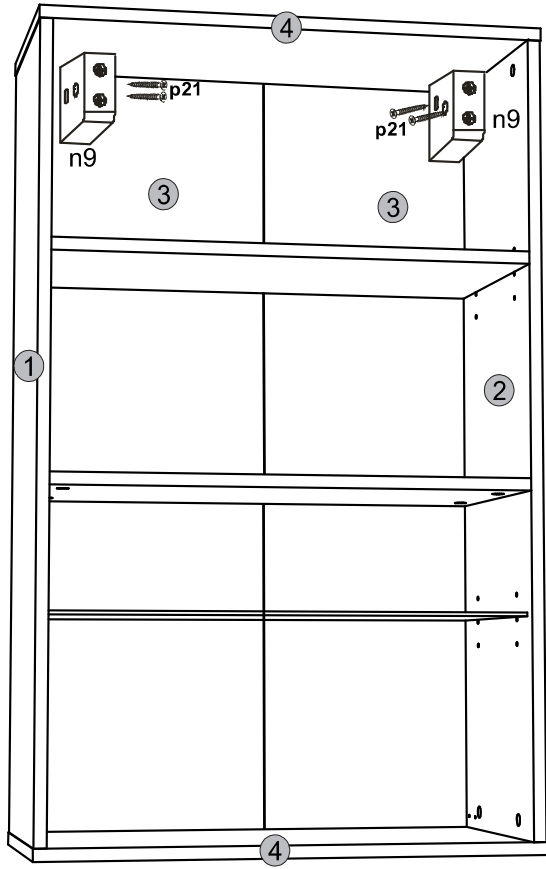
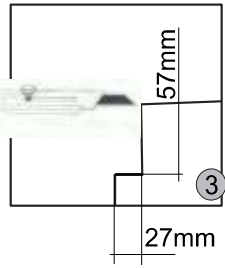
# 5



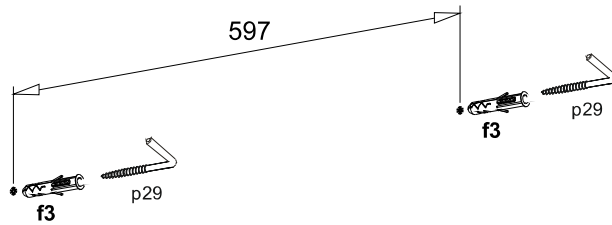
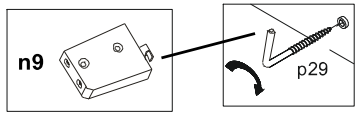
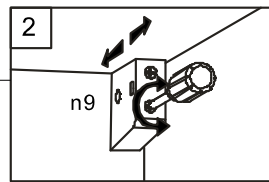
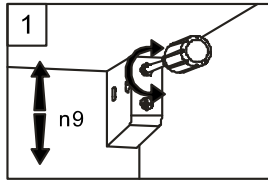
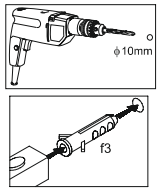
# 6



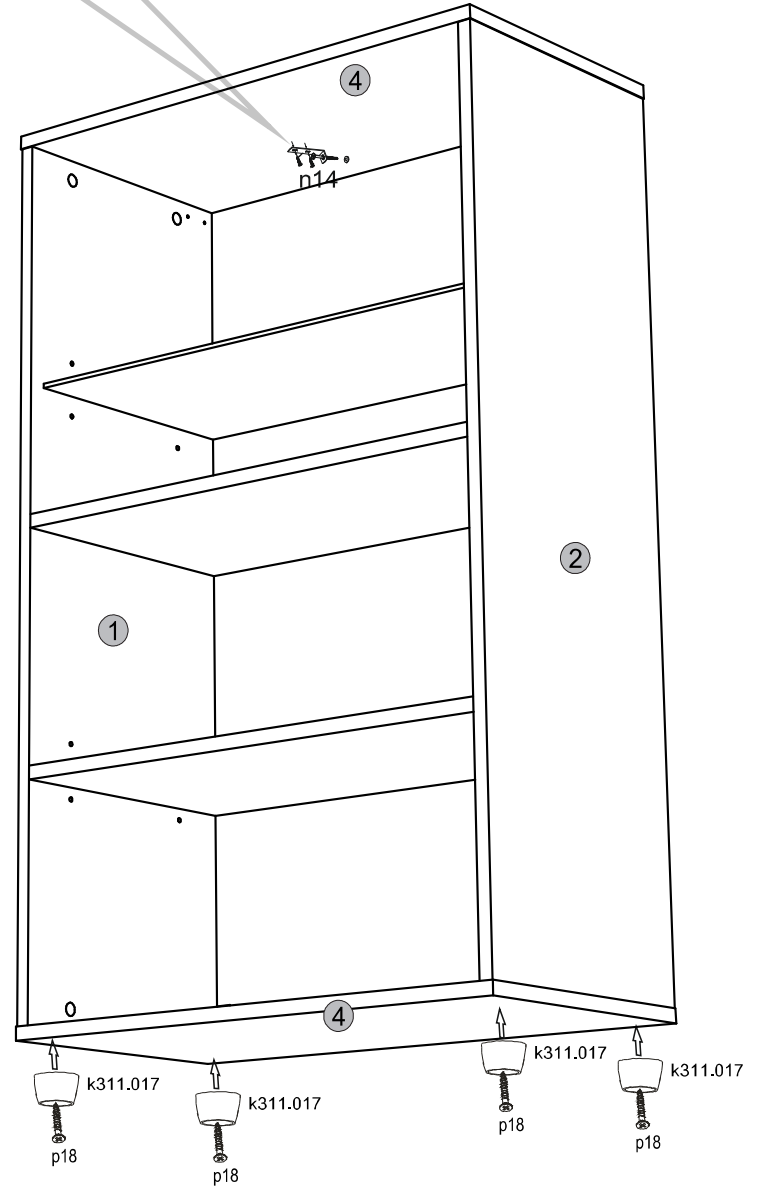
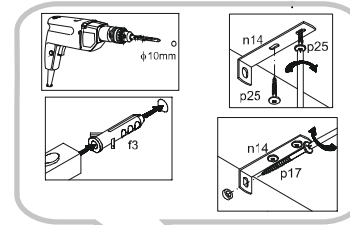
# 7



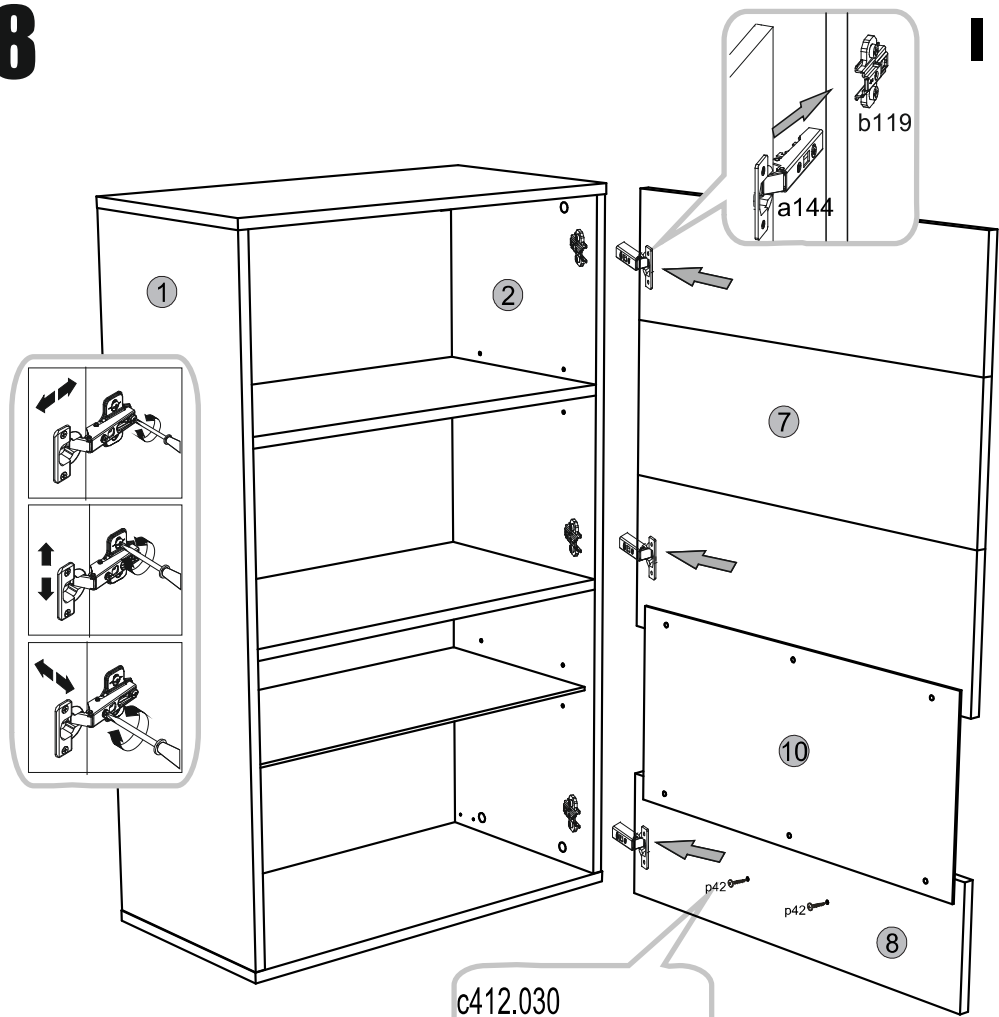
# I



# II

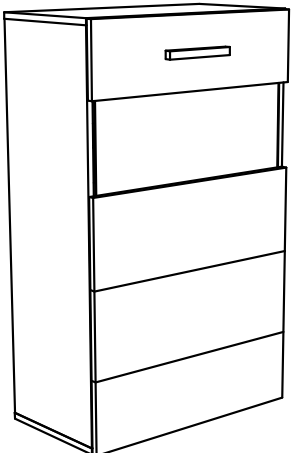
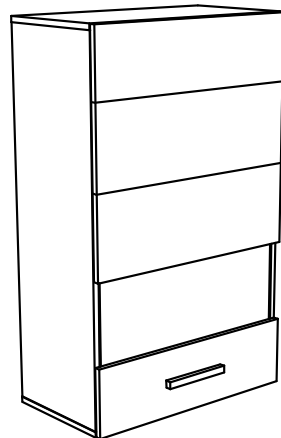
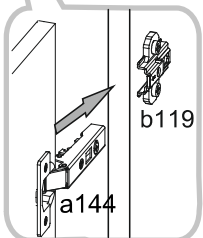
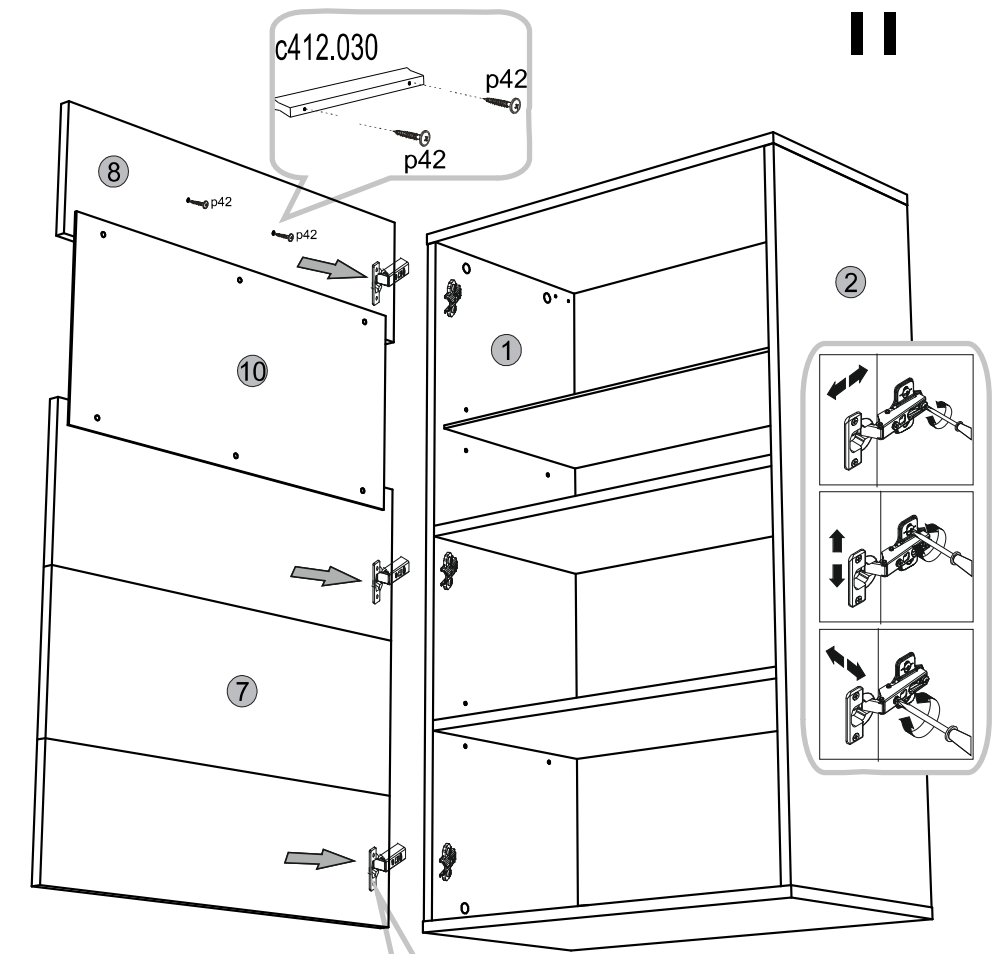


8



I

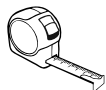
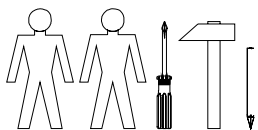
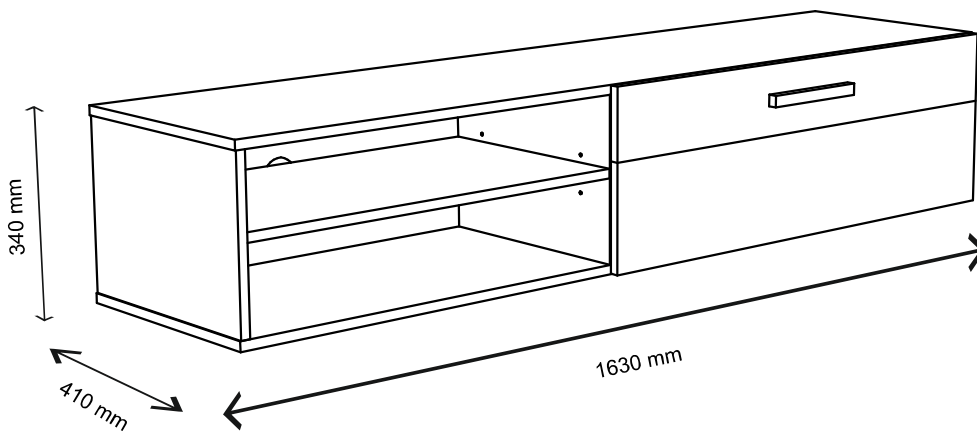
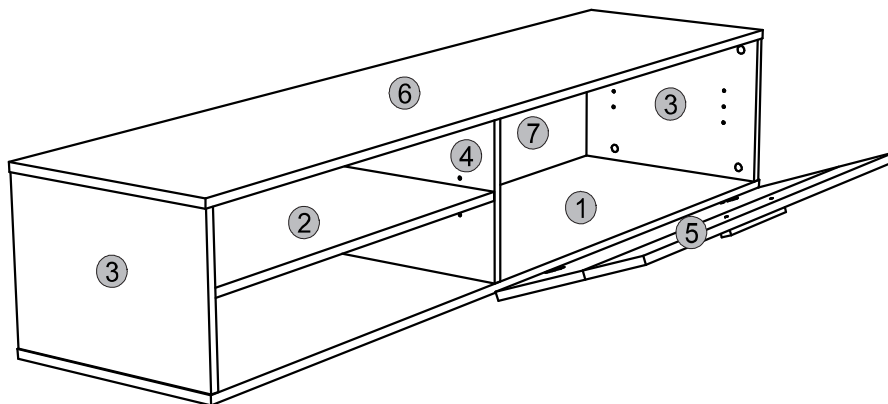
II



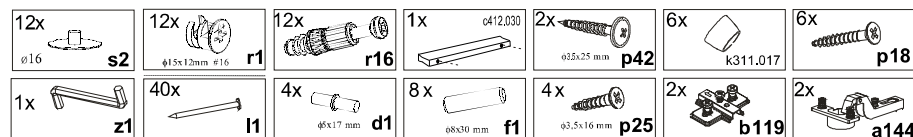
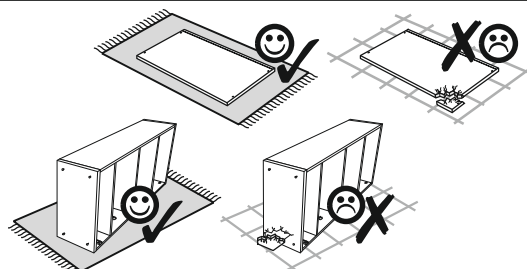
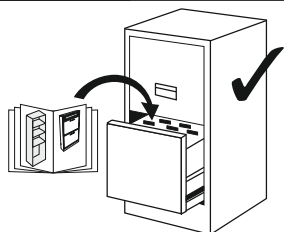


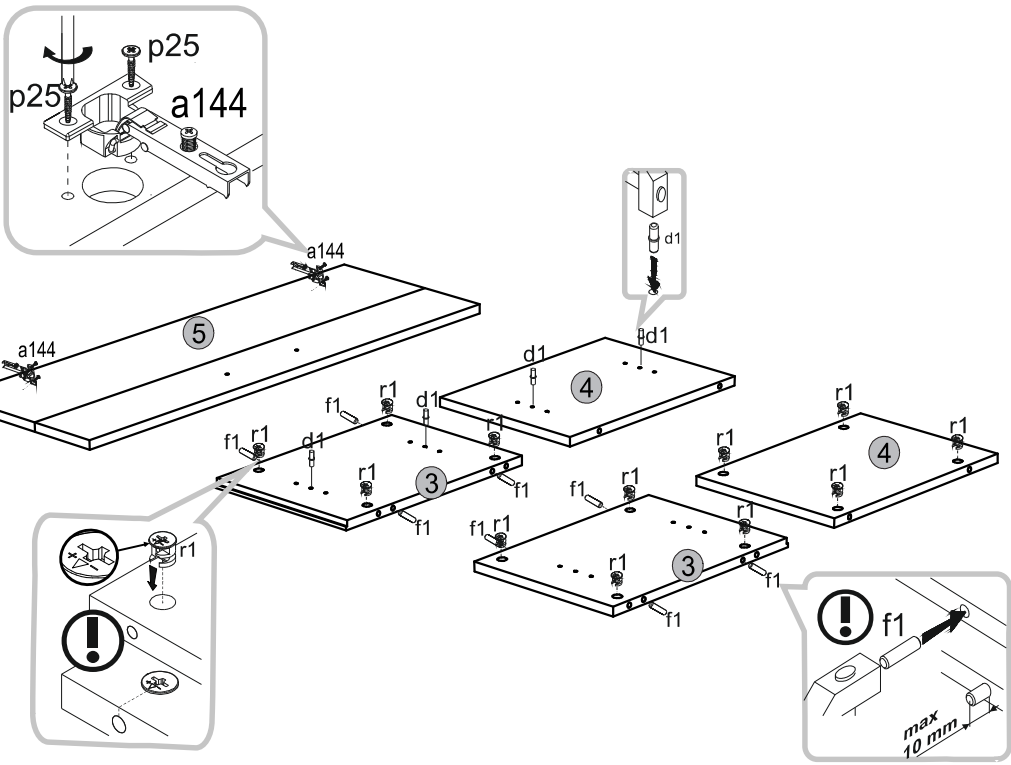
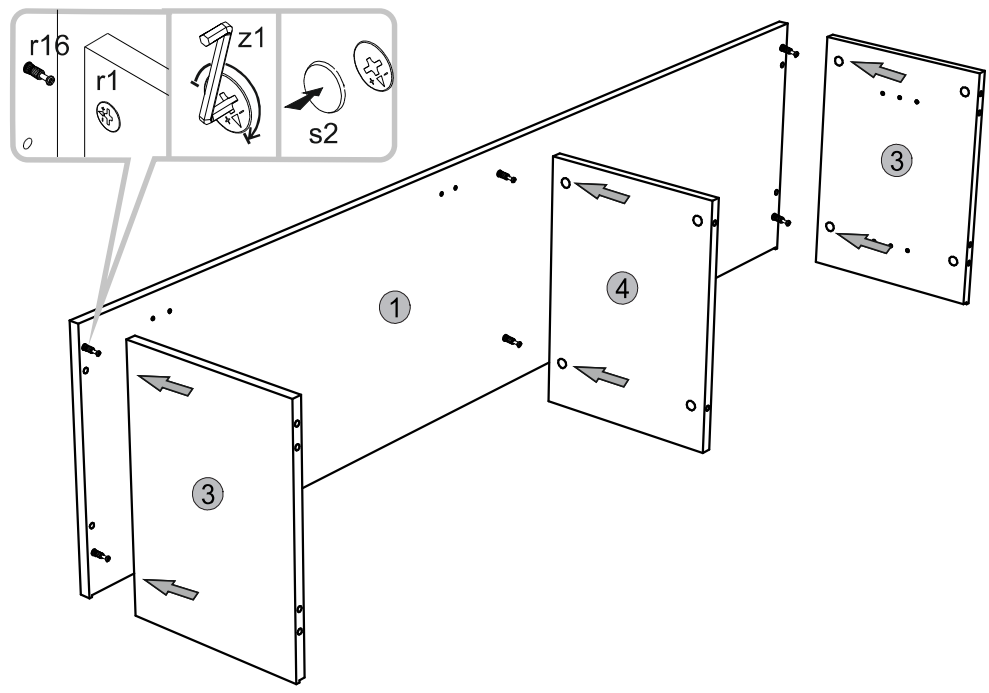
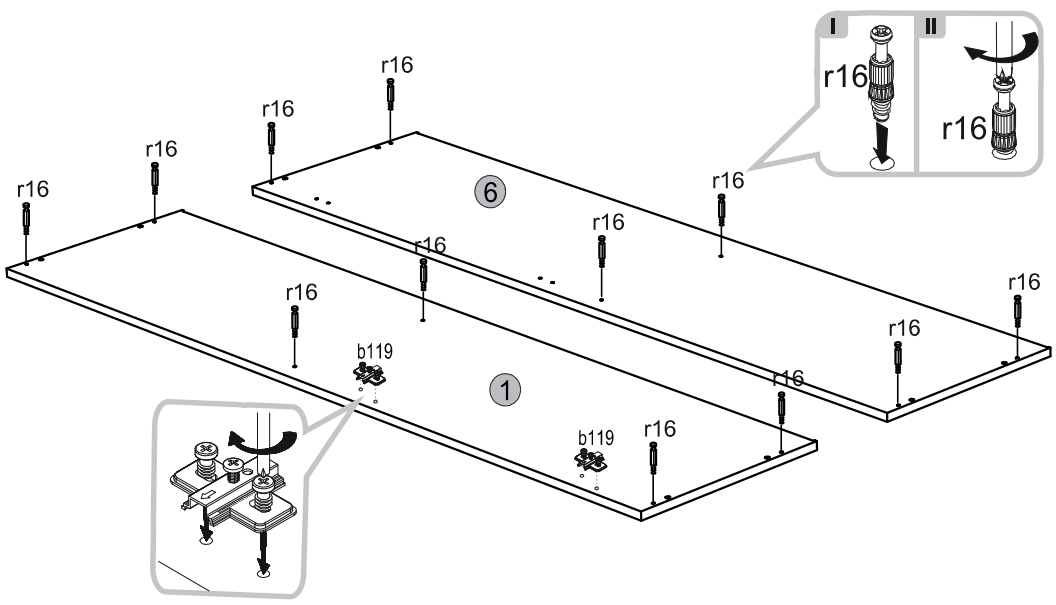
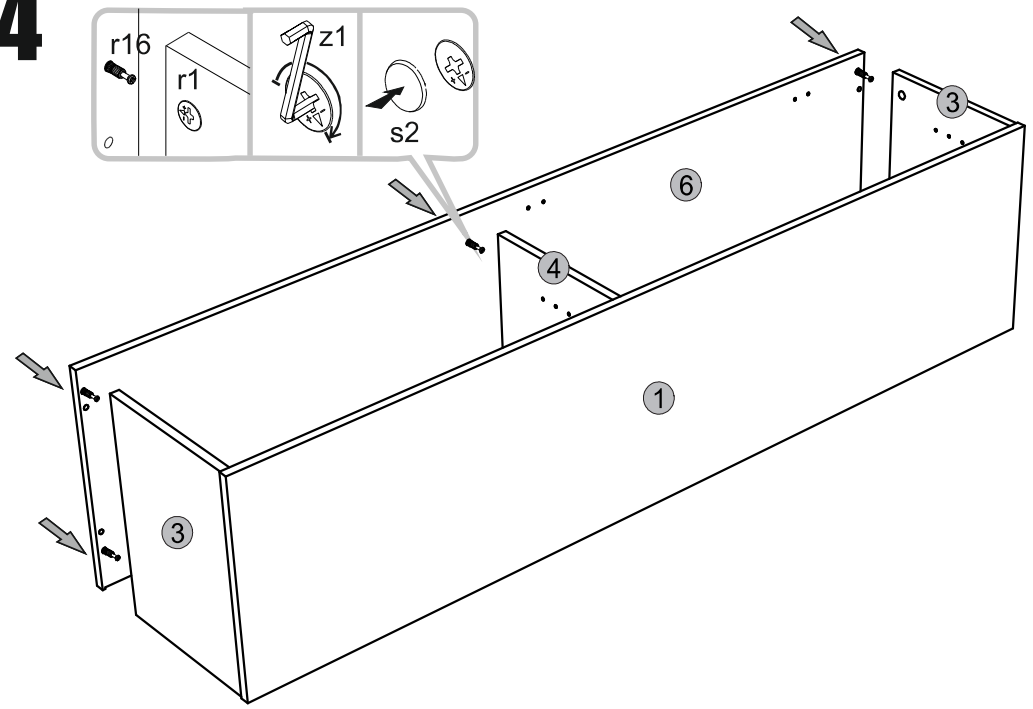
# Instalation manual

SOLO: RTV\_1D L/P

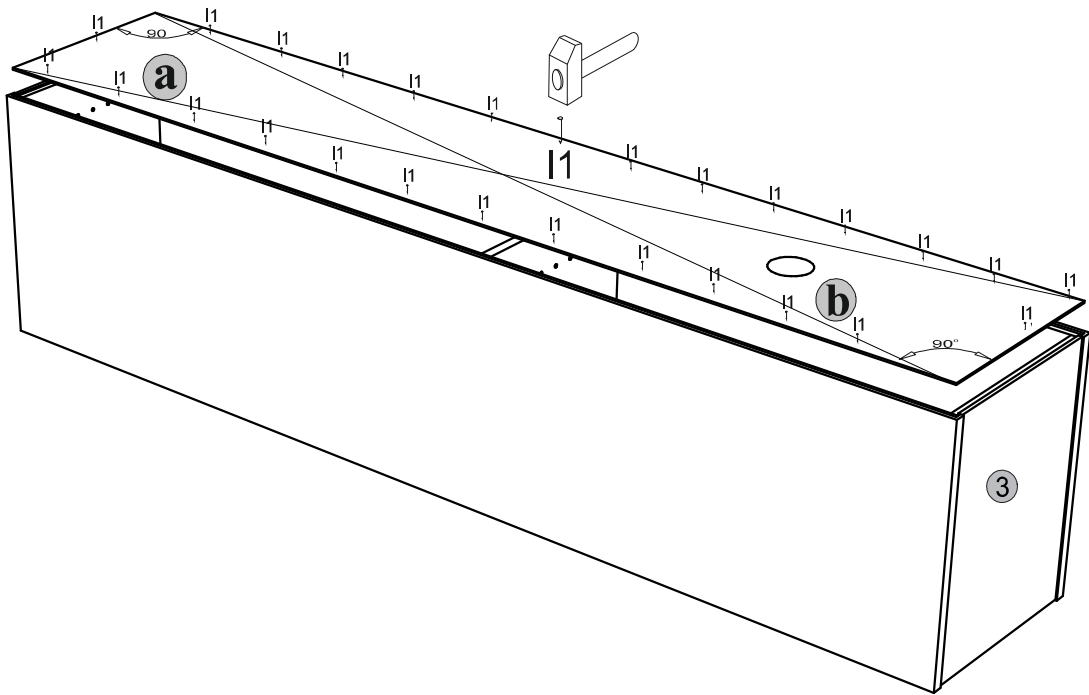


Element symbol	Dimensions				Code	Package
1	1630	397	16	1	S - 201	1/1
2	710	392	16	1	S - 301	1/1
3	283	396	16	2	S - 101	1/1
4	283	393	16	1	S - 103	1/1
5	313	898	16	1	S - 001	1/1
6	1630	397	16	1	S - 202	1/1
7	301	1612	3	1	S - 601	1/1



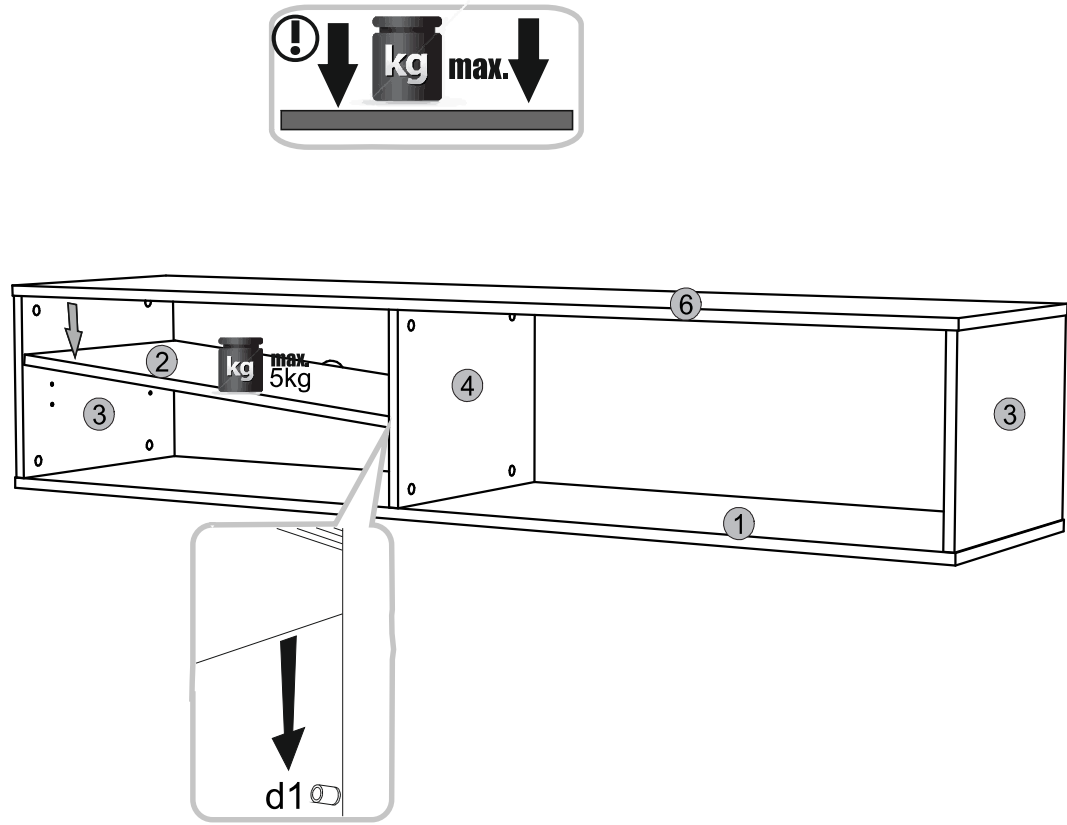
**1****3****2****4**

# 5



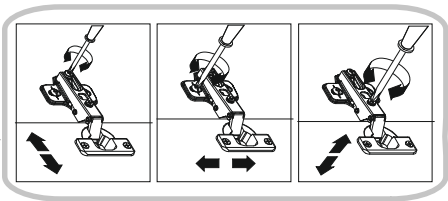
! a=b

# 6

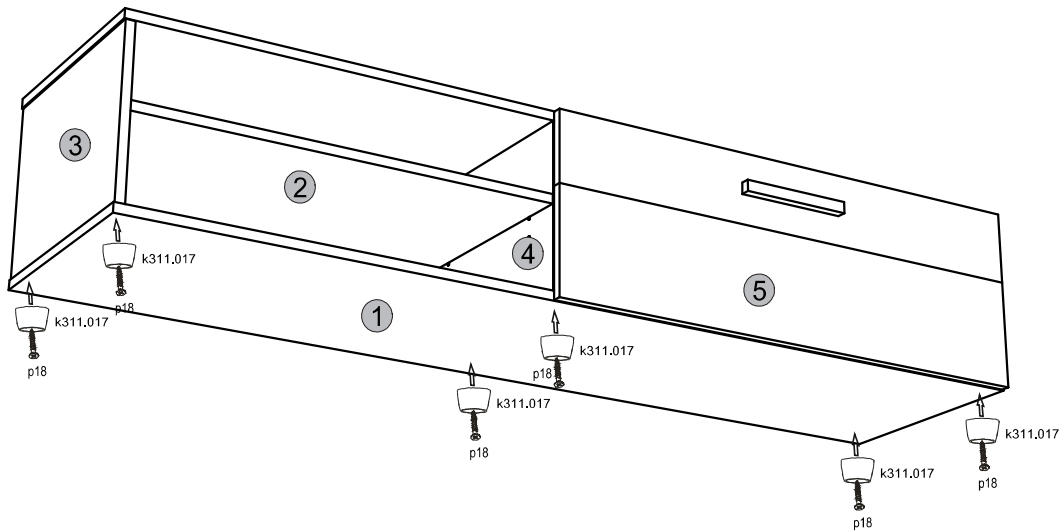
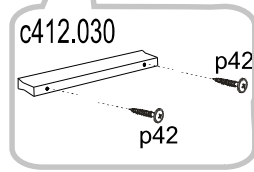
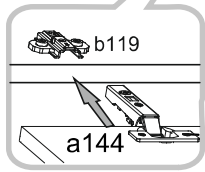
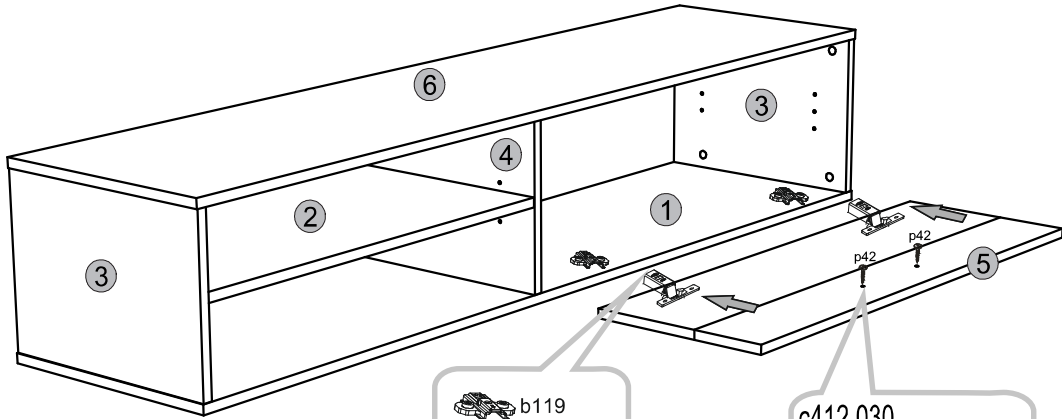




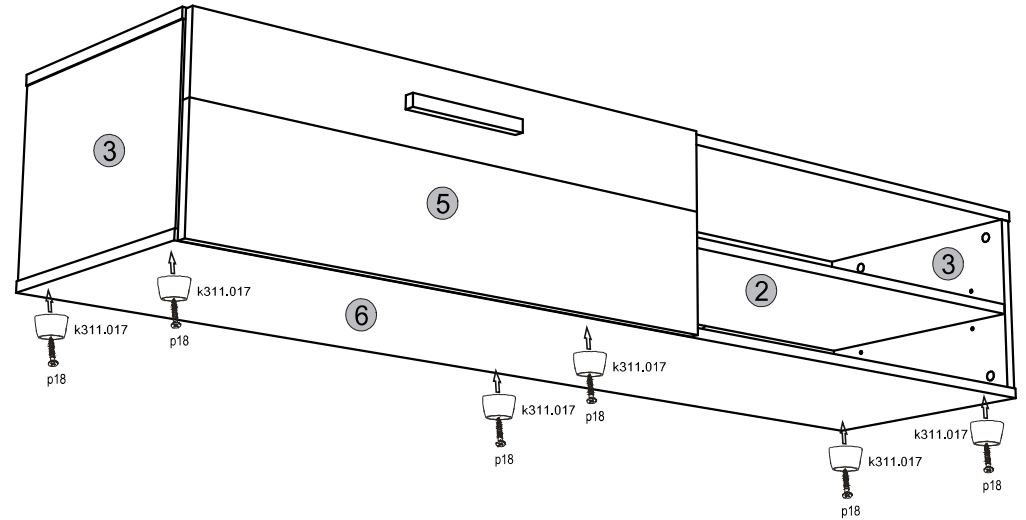
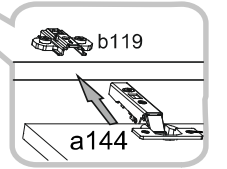
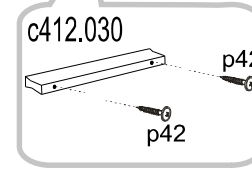
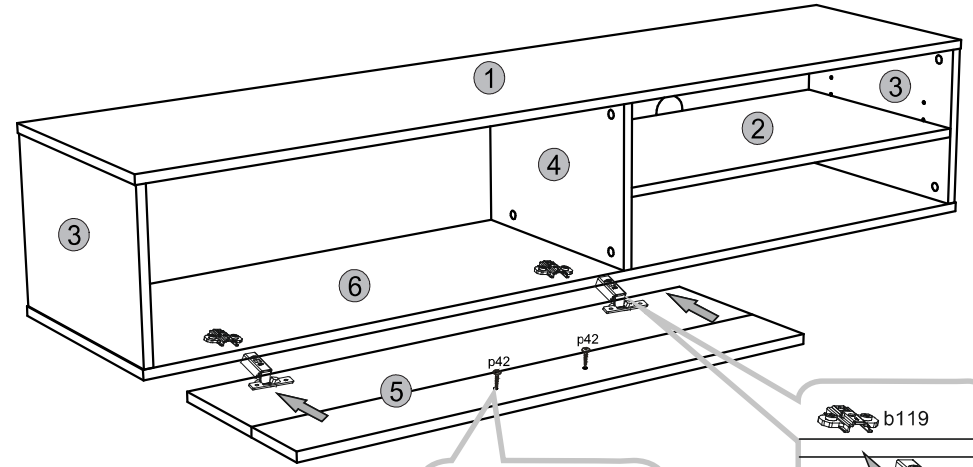
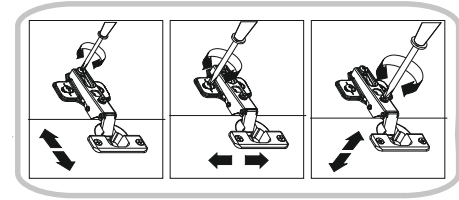
# 7



## I



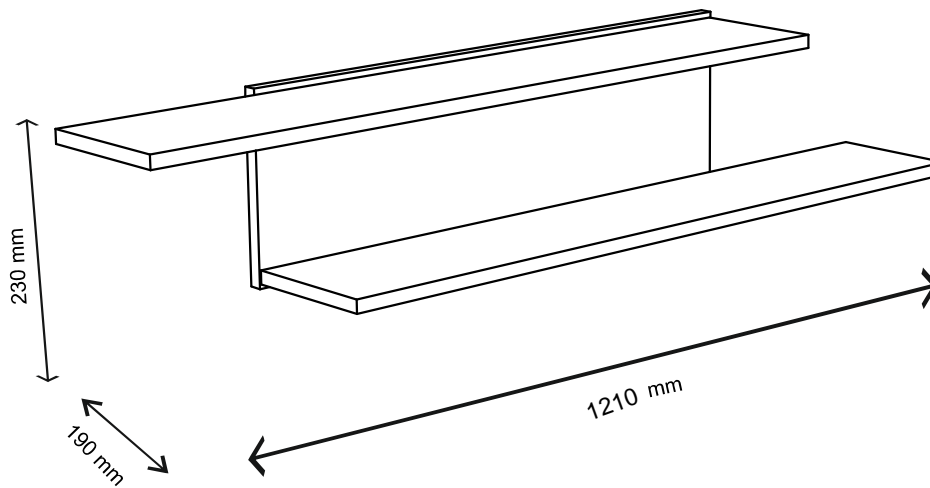
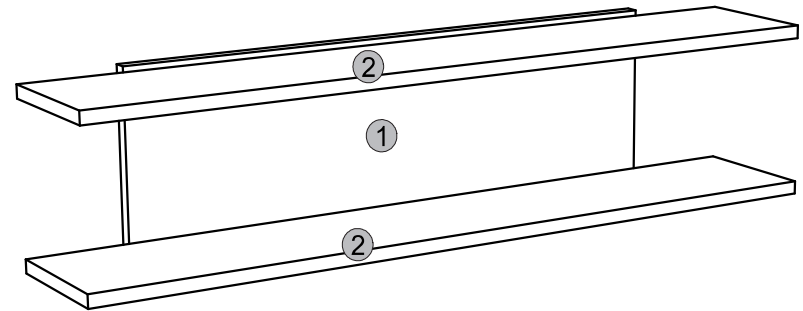
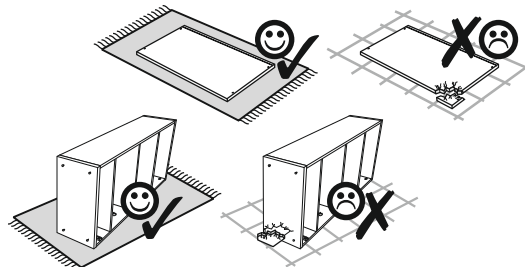
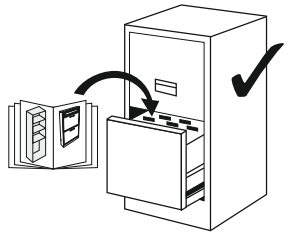
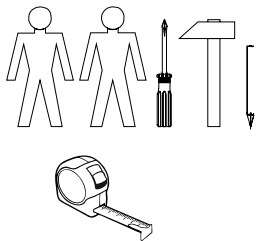
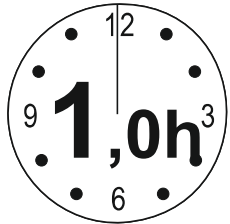
## II



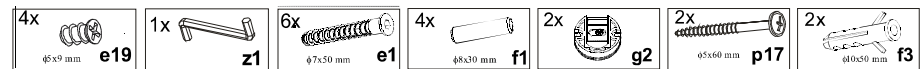


# Instalation manual

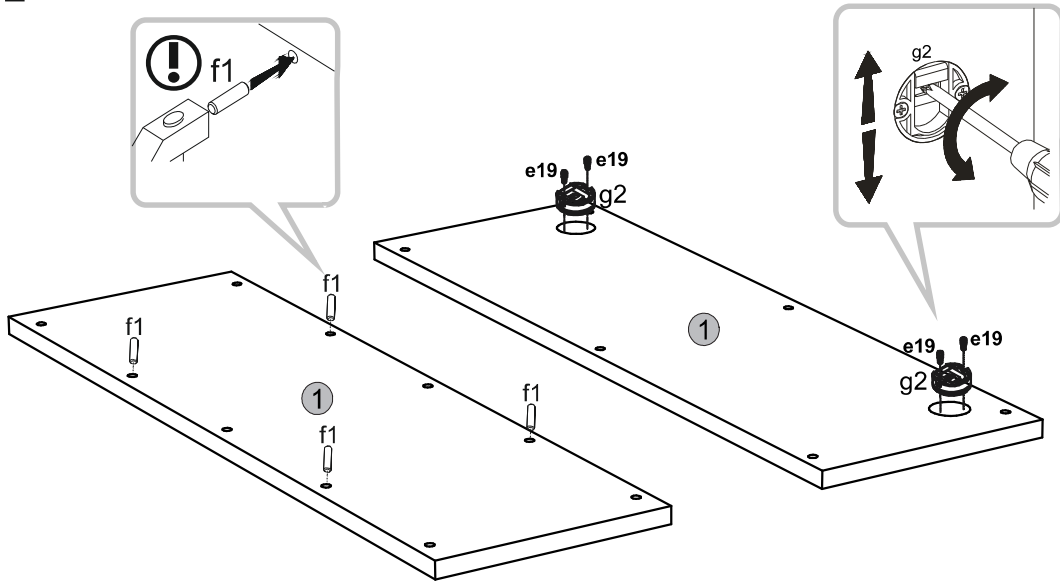
SOLO: POL\_WISZ



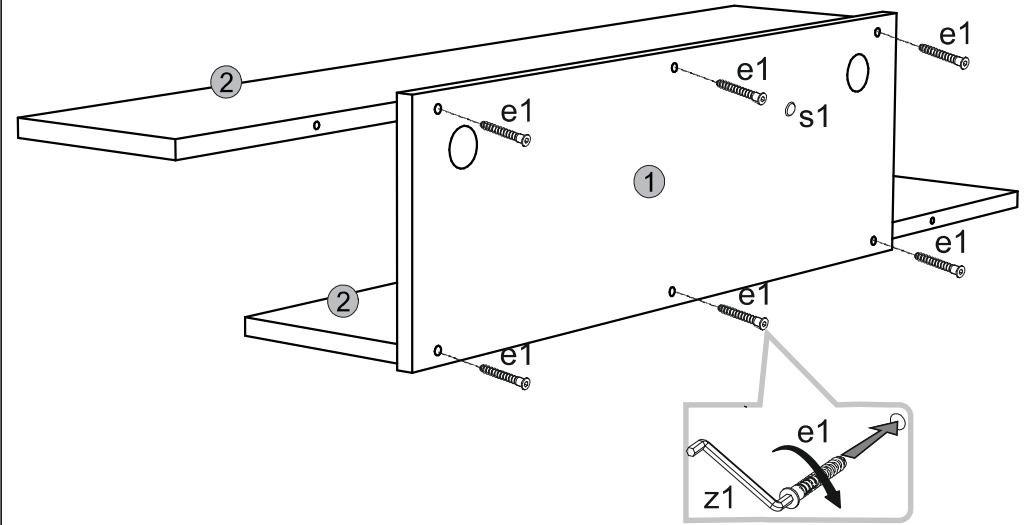
Element symbol	Dimensions				Code	Package
1	226	704	16	1	S - 008	1/1
2	956	169	16	2	S - 303	1/1



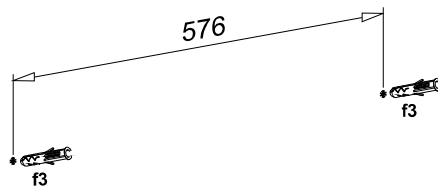
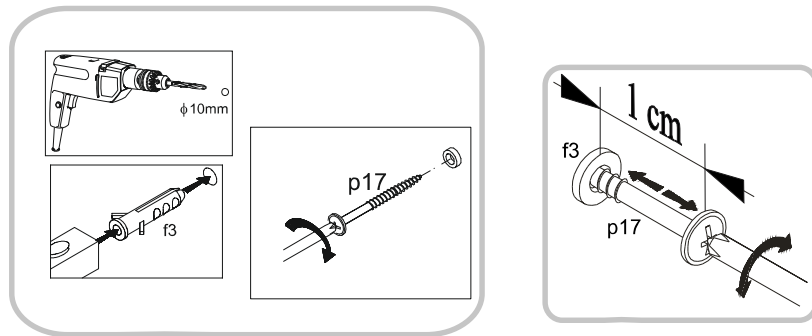
# 1



# 3



# 2



# 4

