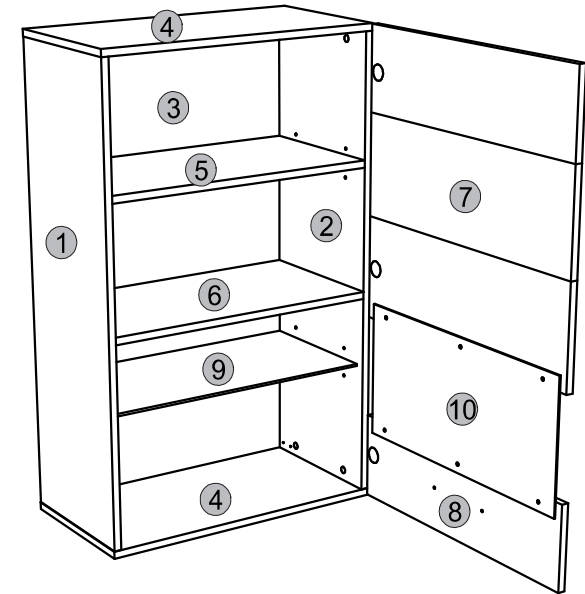
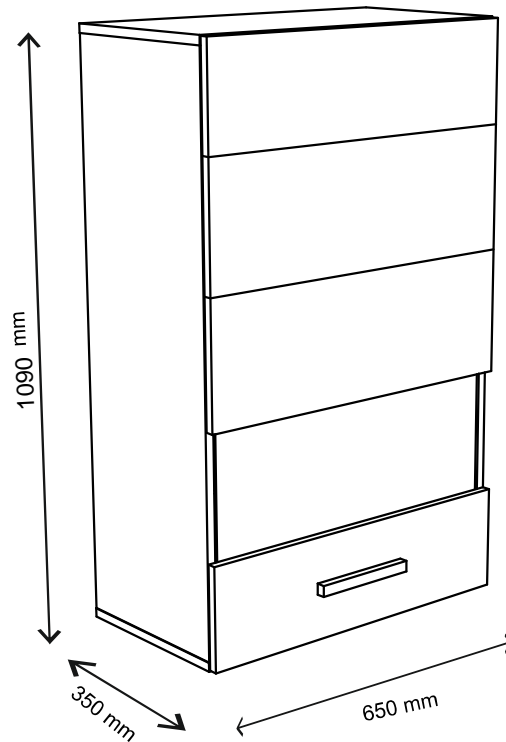
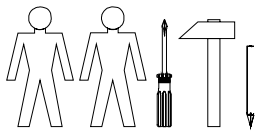
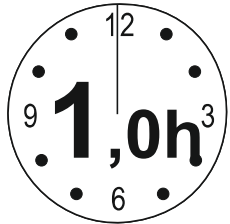


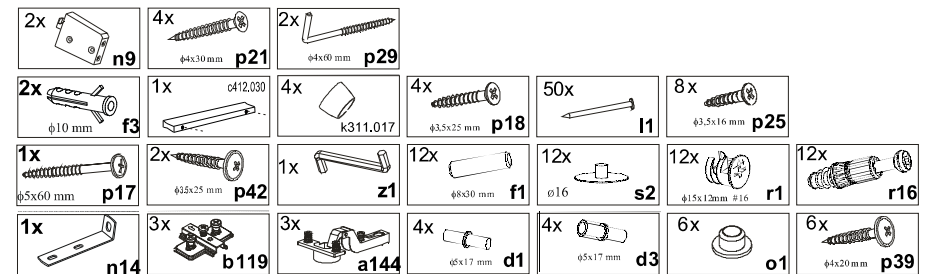
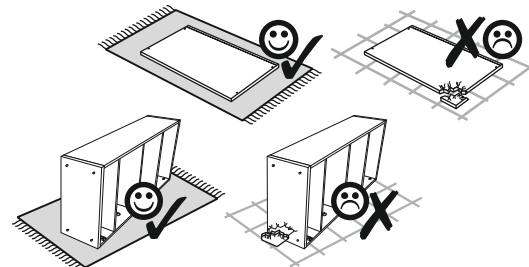
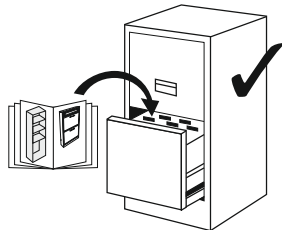


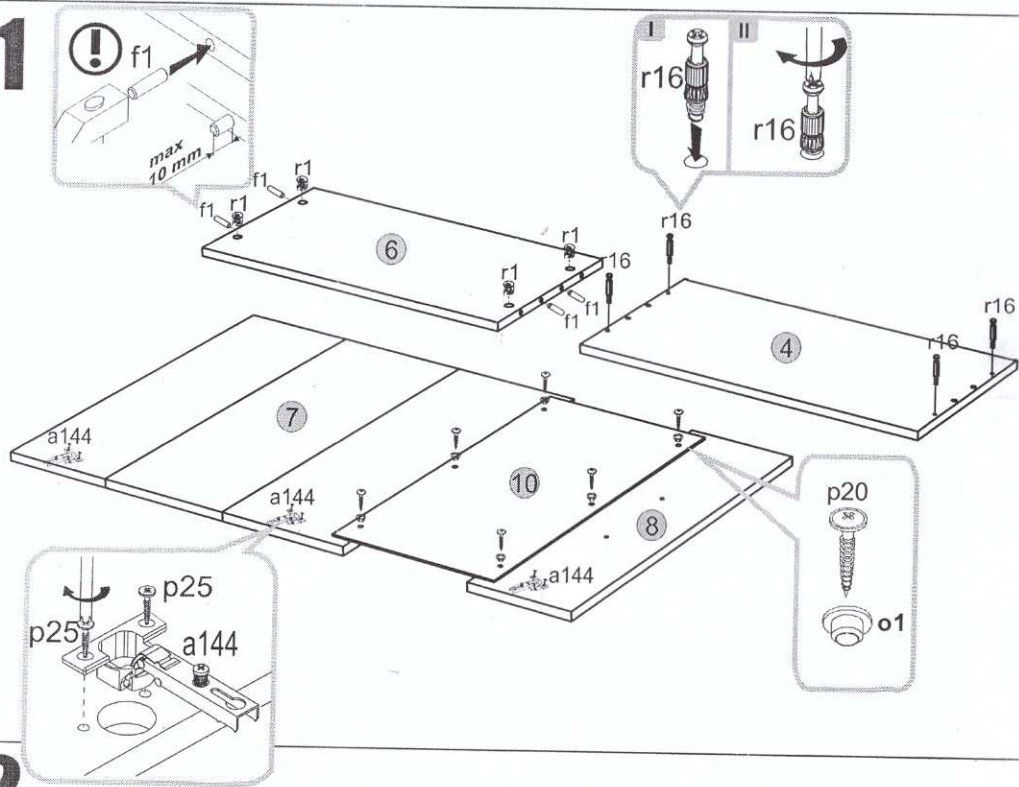
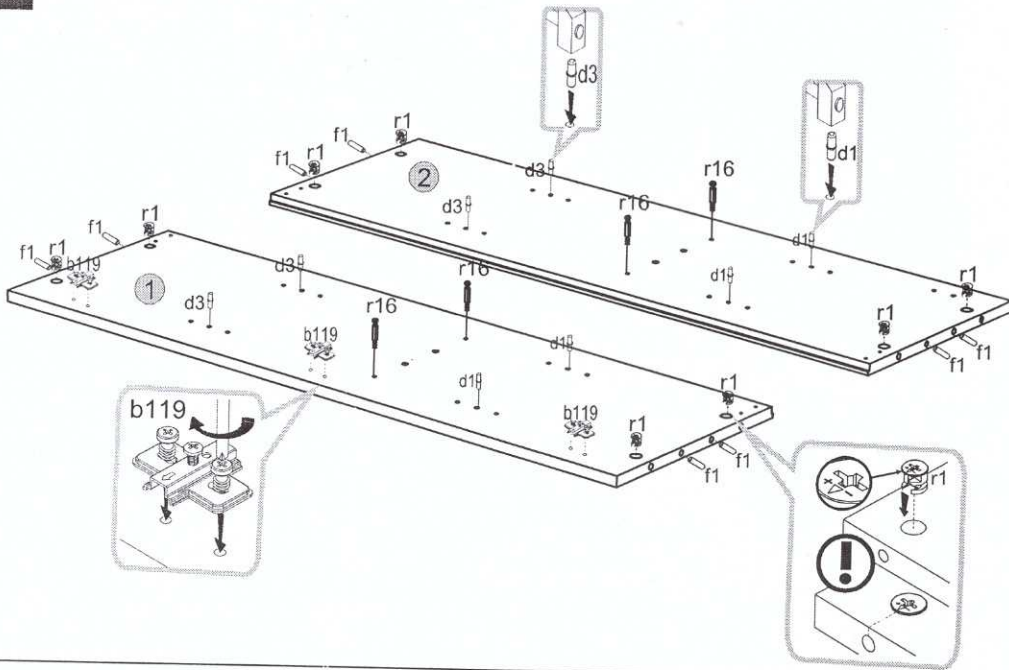
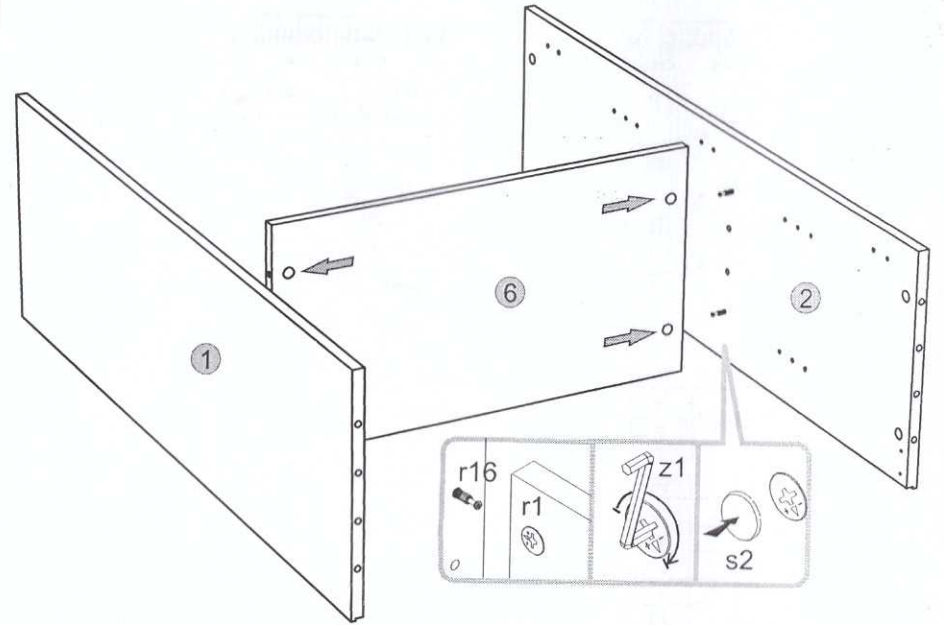
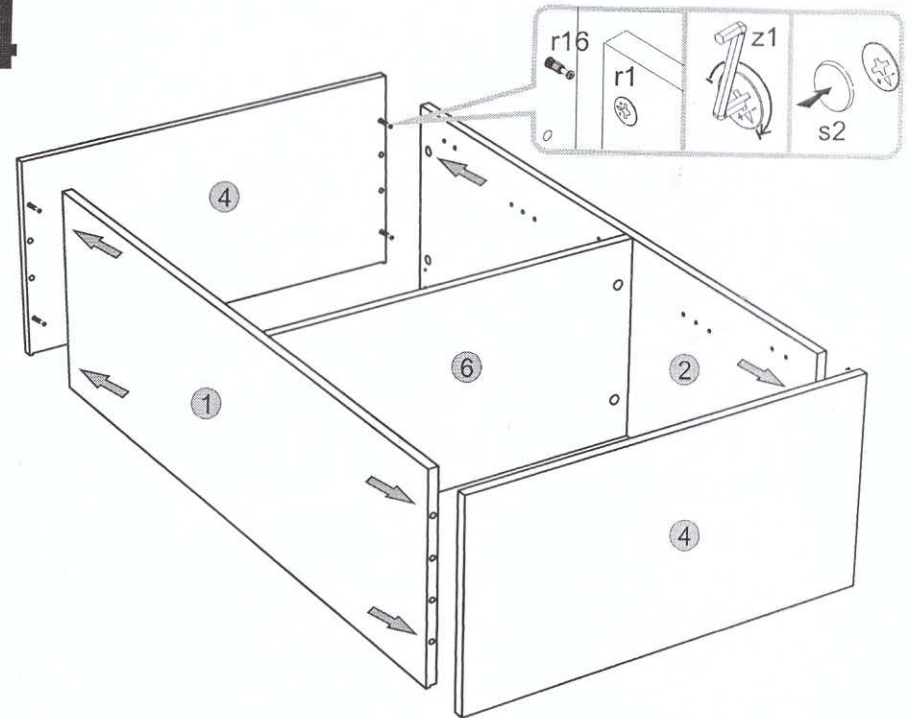
# Instalation manual

SOLO: WIT2\_1W

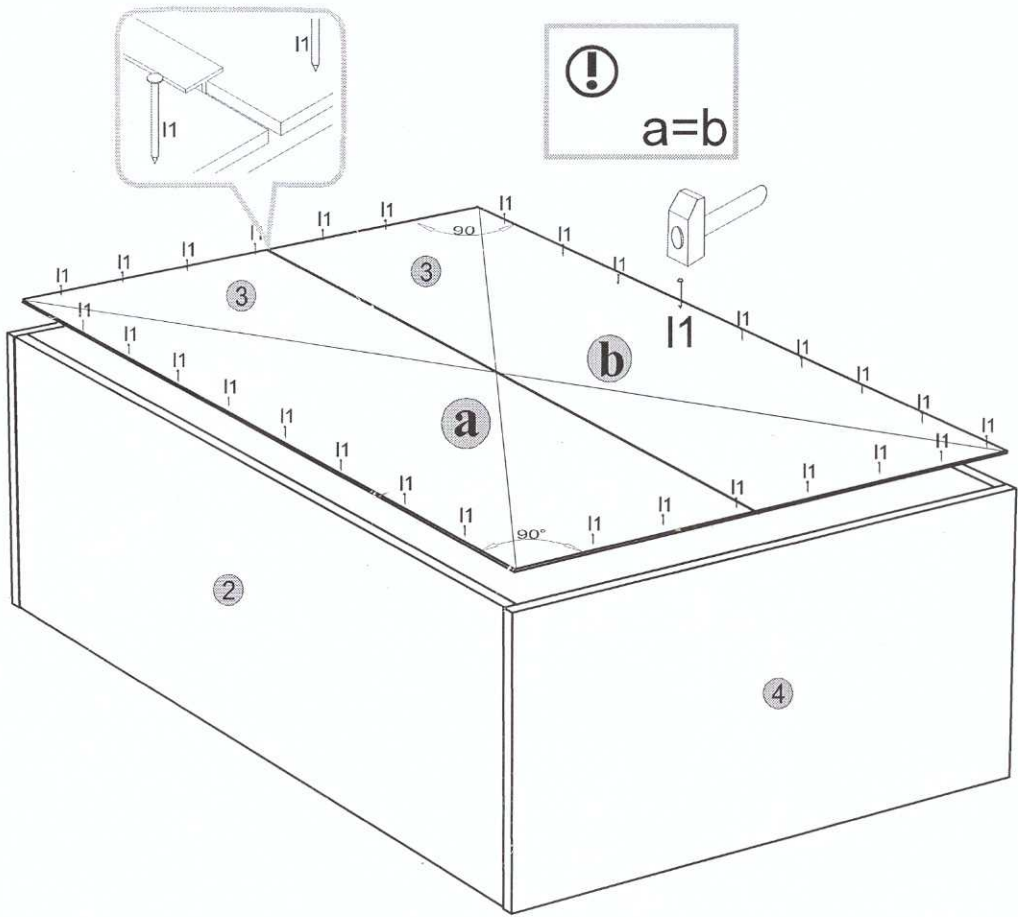


Element symbol	Dimensions				Code	Package
1	1028	333	16	1	SN-159	1/1
2	1028	333	16	1	SN-158	1/1
3	1046	316	3	2	SN-634	1/1
4	649	334	16	2	SN-226	1/1
5	615	330	16	1	SN-339	1/1
6	615	330	16	1	SN-338	1/1
7	642	645	16	1	SN-051	1/1
8	188	645	16	1	SN-589	1/1
9	614	308	5	1	SN-340	1/1
10	297	606	4	1	SN-052	1/1

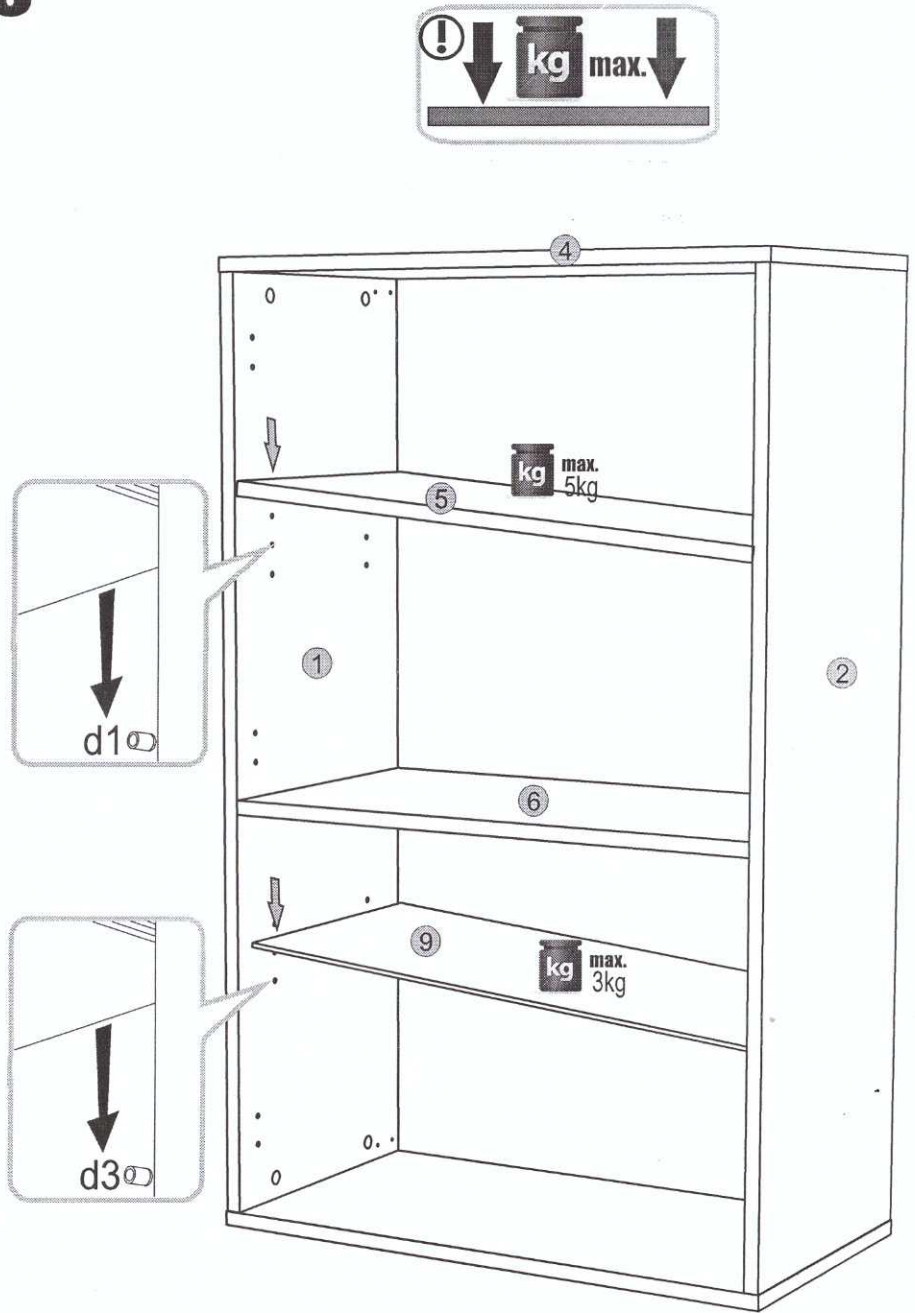


**1****2****3****4**

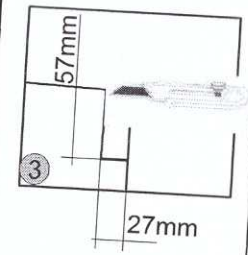
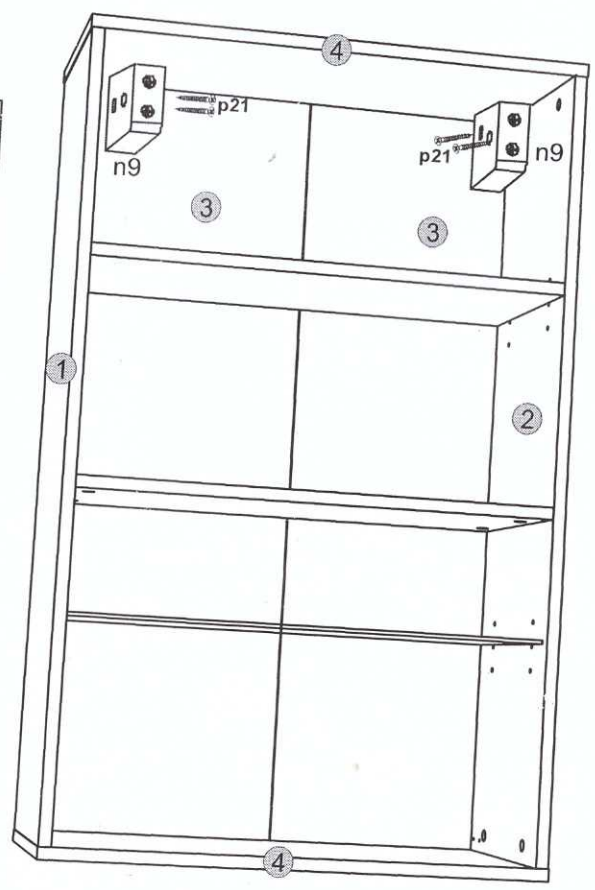
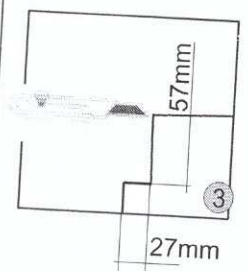
5



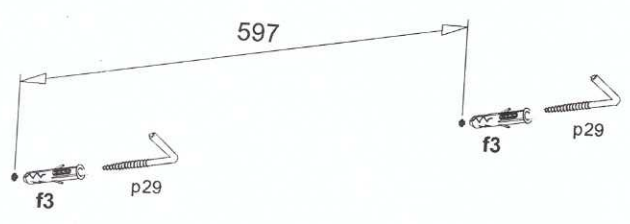
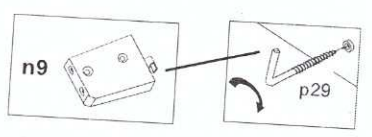
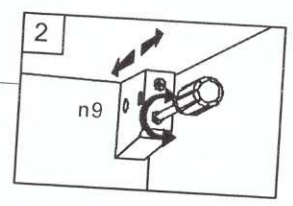
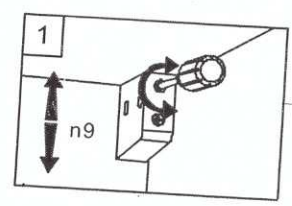
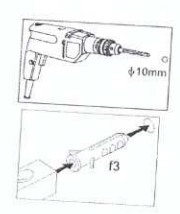
6



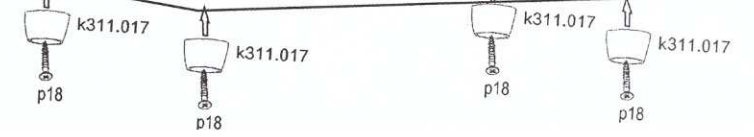
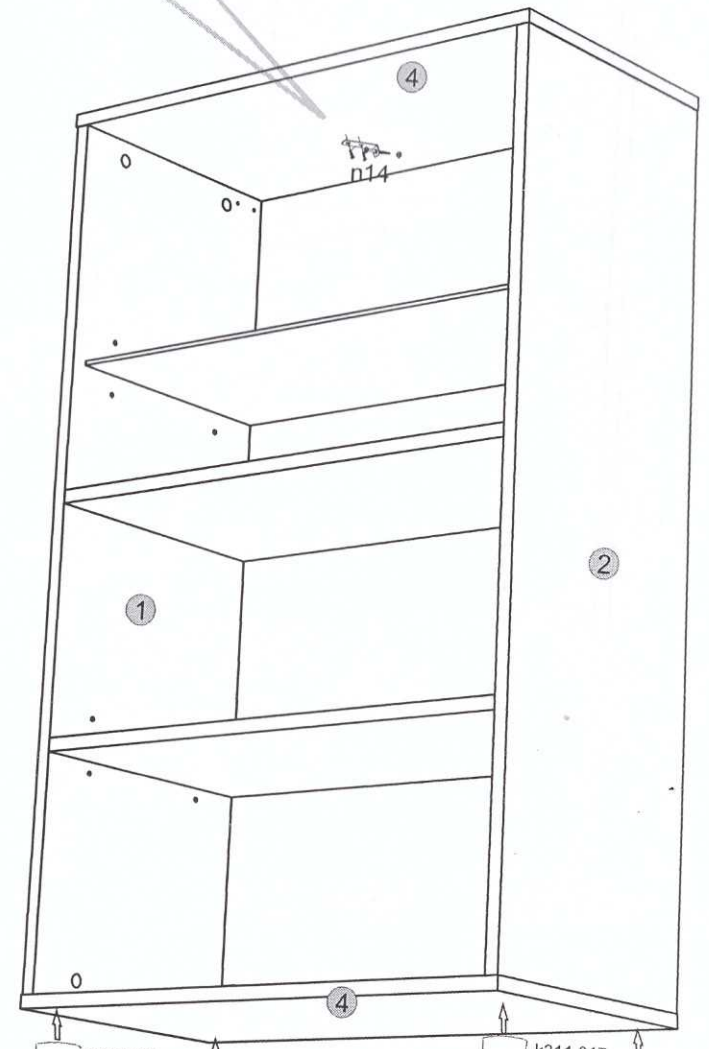
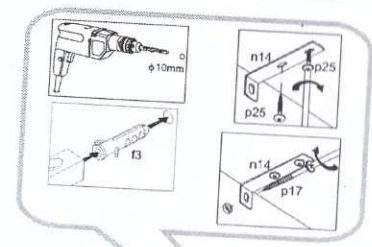
7



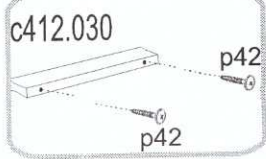
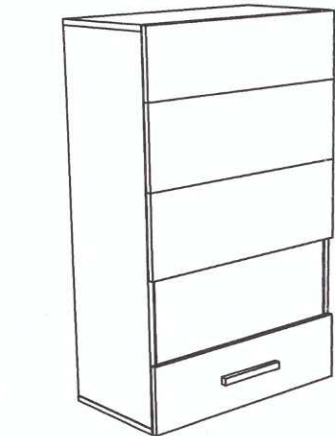
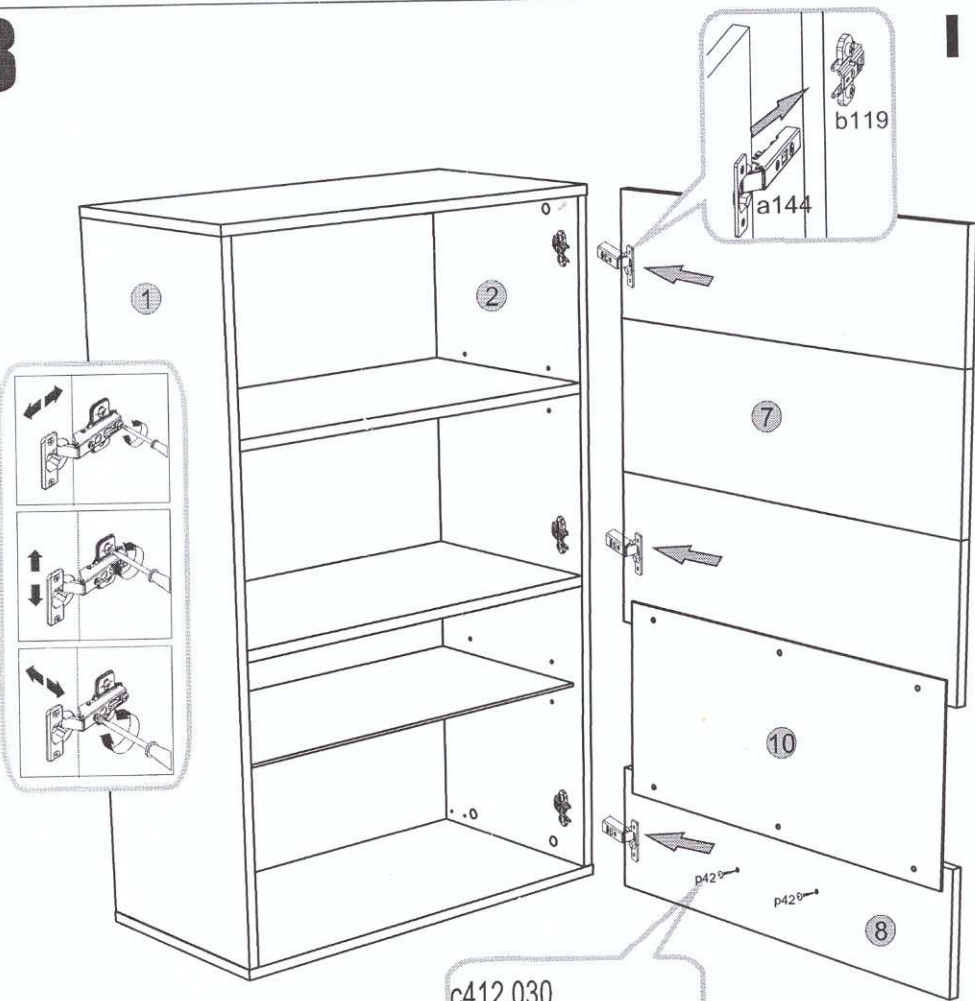
I



II



8



I

II

